

**MORGAN**  
**★OLSON**

# ROUTE STAR®



## W900

SERVICE PARTS CATALOG



**800.233.4823**

[www.morganolsonparts.com](http://www.morganolsonparts.com)

# Parts Catalog for FedEx Express W900

## JV004633 ON FORD F-59 Chassis

### How to order parts from Morgan Olson.

The first step is to locate the part numbers you would like to order.

#### Method 1 (Recommended)

Go to our parts web site, [WWW.MORGANOLSONPARTS.COM](http://WWW.MORGANOLSONPARTS.COM) and search your vehicle VIN number to

get a list of parts generated directly from your vehicles Bill of Material.

You can filter the list of items further by selecting the category for the location of the parts. IE. Bumper, Hood, Glass, Rear Door, etc.

You may change the search drop down menu to search by part number, description, unit number or VMRS number.

#### Method 2

Use this parts catalog to identify your part numbers.

Then go to [WWW.MORGANOLSONPARTS.COM](http://WWW.MORGANOLSONPARTS.COM) and search by part number to add the items to your shopping cart.

#### Method 3

Call our Parts Department at 1-800-233-4823.

Please have your VIN number available and one of our customer service representatives will be able to help you identify the parts you need.

\*If you already know the part numbers of the items you want to order, use our Quick Order page to enter your part numbers and quantities, then click add to cart. [HTTPS://WWW.MORGANOLSONPARTS.COM/QUICK-ORDER](https://WWW.MORGANOLSONPARTS.COM/QUICK-ORDER)

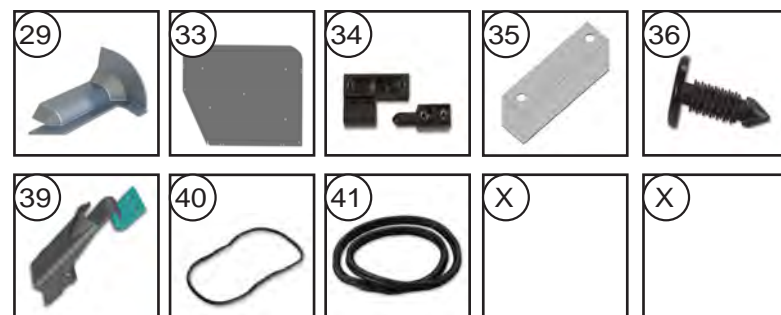
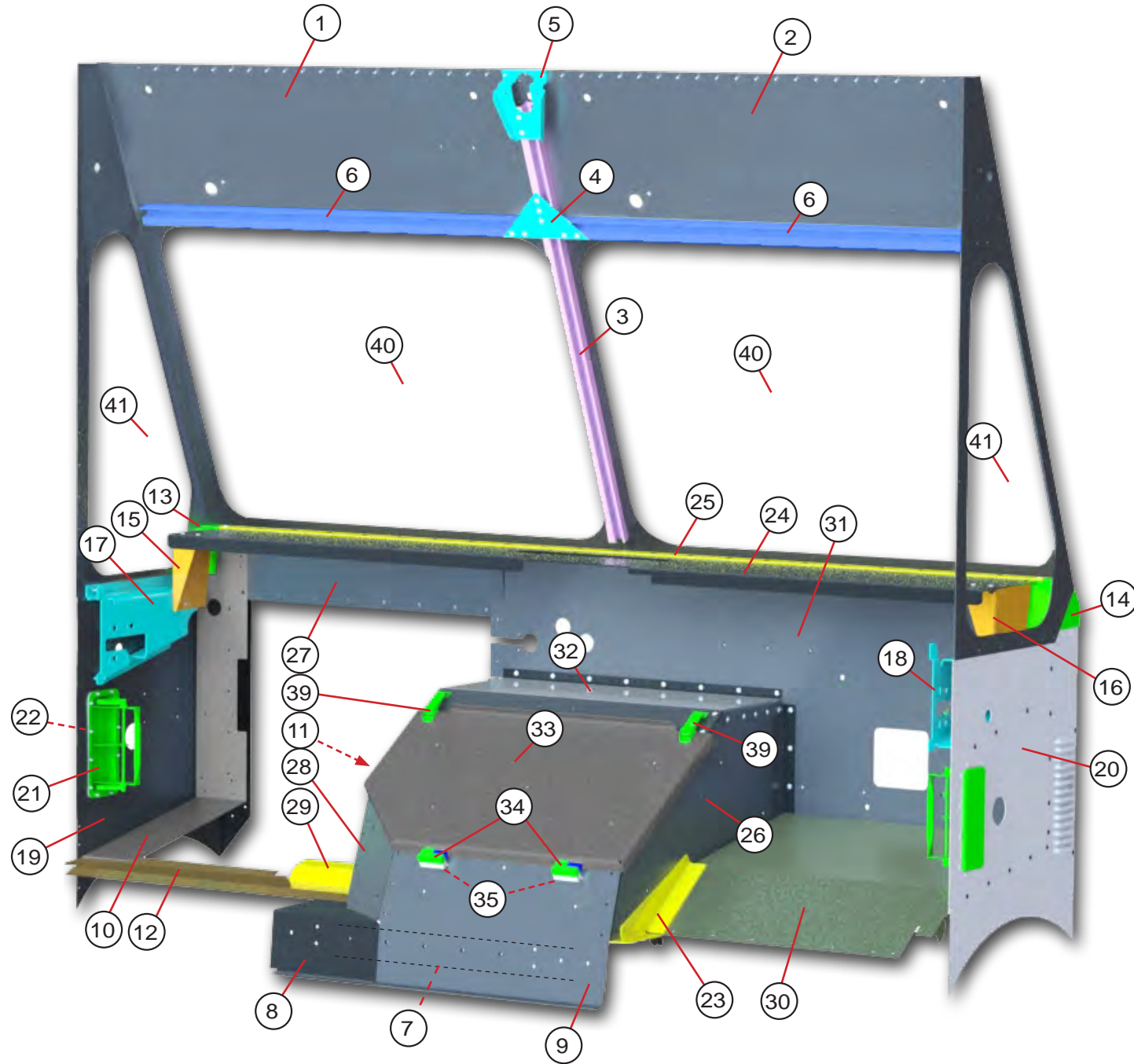
Note\* Orientation is always from the rear of the vehicle looking forward.

Roadside = Left Hand LH

Curbside = Right Hand RH

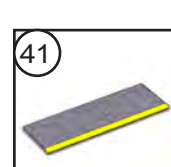
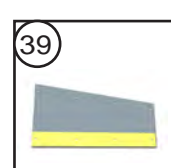
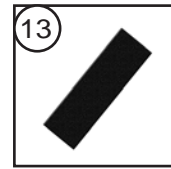
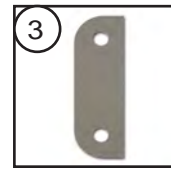
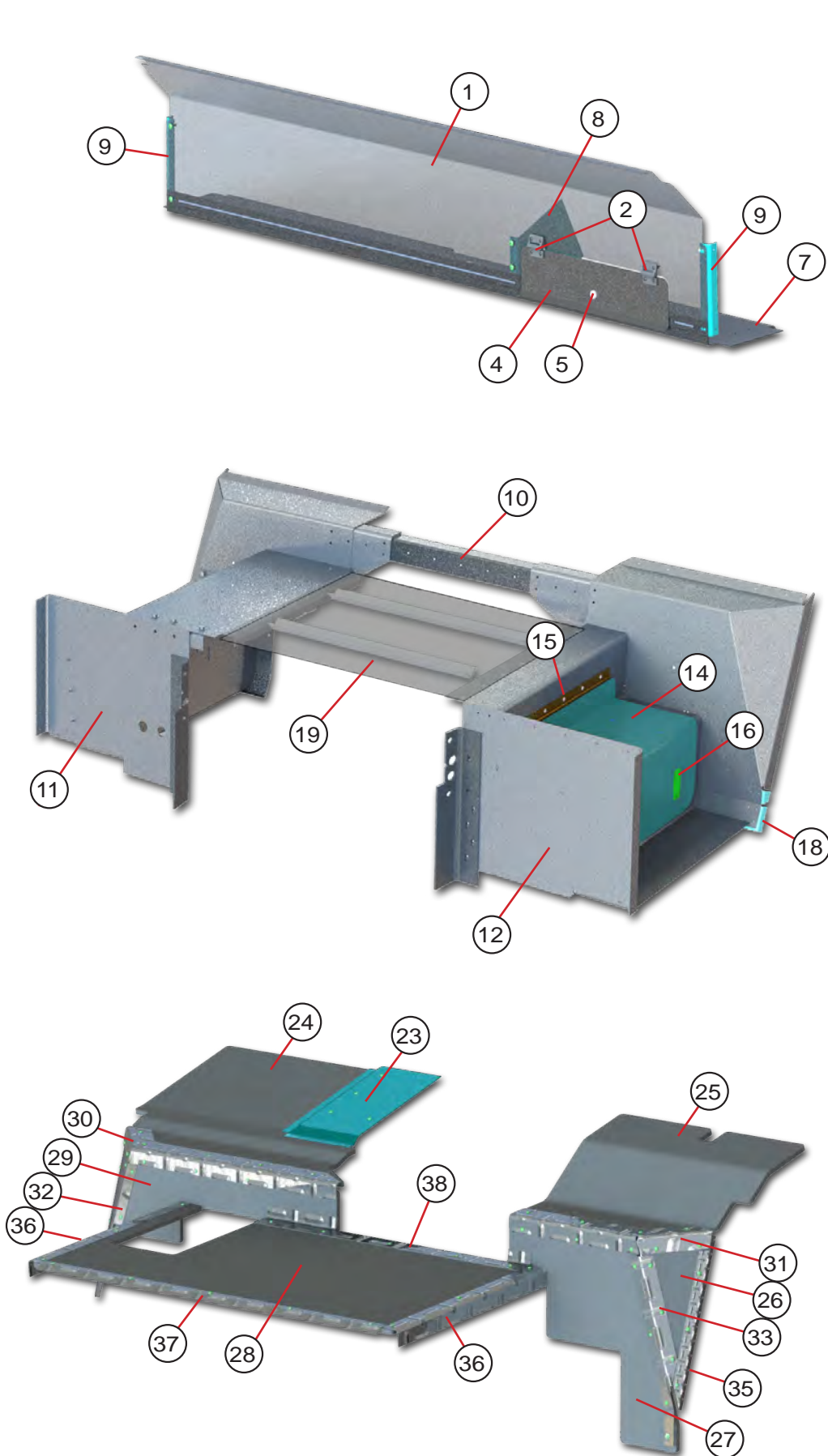
For warranty information, please call 1-800-262-3437

INTRODUCTION	2
TABLE OF CONTENTS	3
CAB & FRONT FRAME	4-5
WIPER COVER & STEP ASSEMBLIES & CAB TRIM	6-7
HOOD	8-9
INSTRUMENT PANEL & SEATS	10
SEATS	11
HEATER	12-13
FLOOR	14
ROOF	15
SIDES	16-17
BULKHEAD	18
BACK (REAR FRAME)	19
SIDE DOORS	20-21
SIDE DOOR POCKETS	22-23
REAR DOOR P/N 47005964	24-27
SHELVES	28
BUMPERS	29
MIRRORS AND WIPER ASSEMBLY	30-31
ELECTRICAL	32-33
ACCESSORIES / MISCELLANEOUS	34-36
KEYLESS SYSTEMS	37
WIRING HARNESS	38
WIRING DIAGRAMS	39-62
APPLICATION - VIN #s and VEHICLE ASSET #s	63
COMMON FASTENERS FOR WALK-IN VANS	65-69



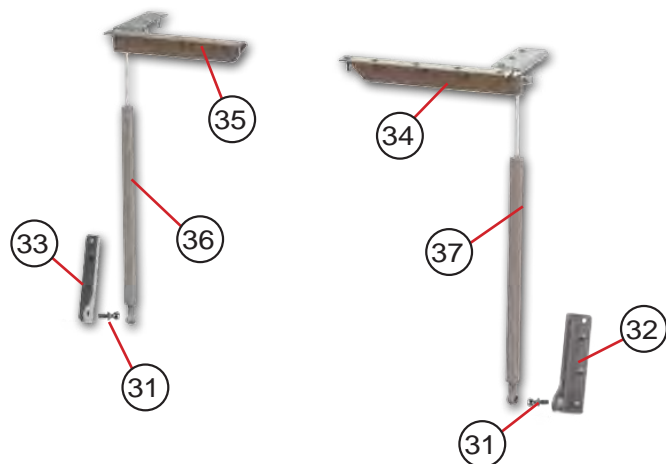
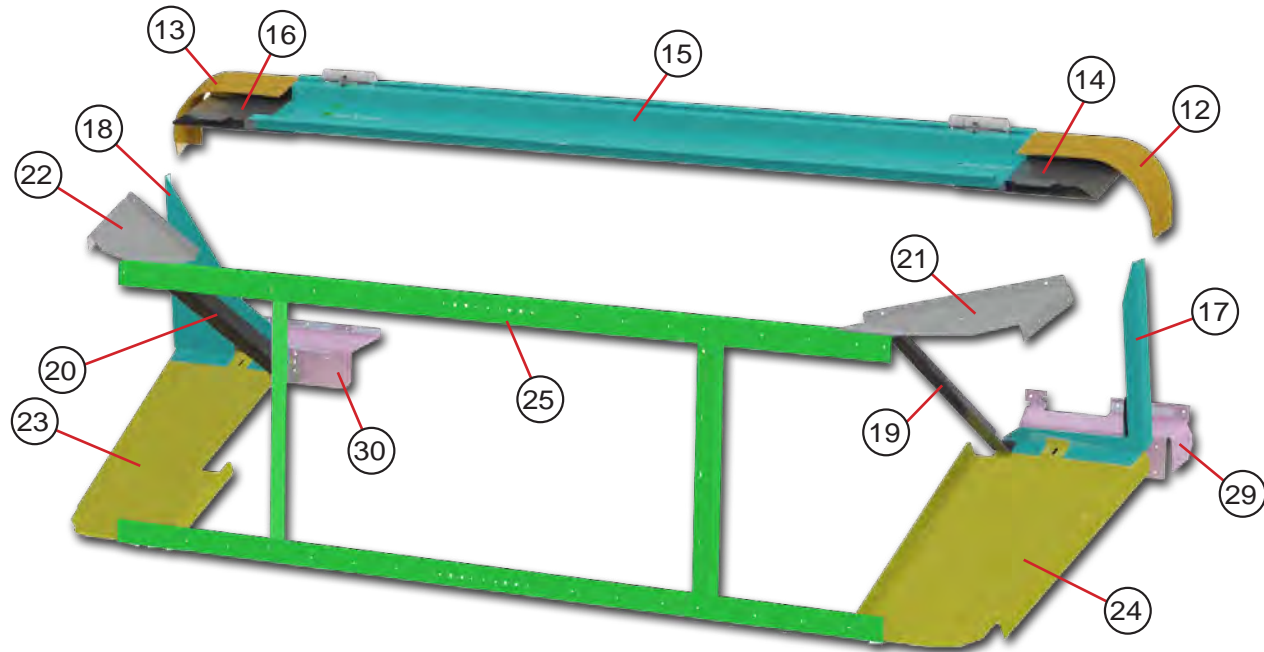
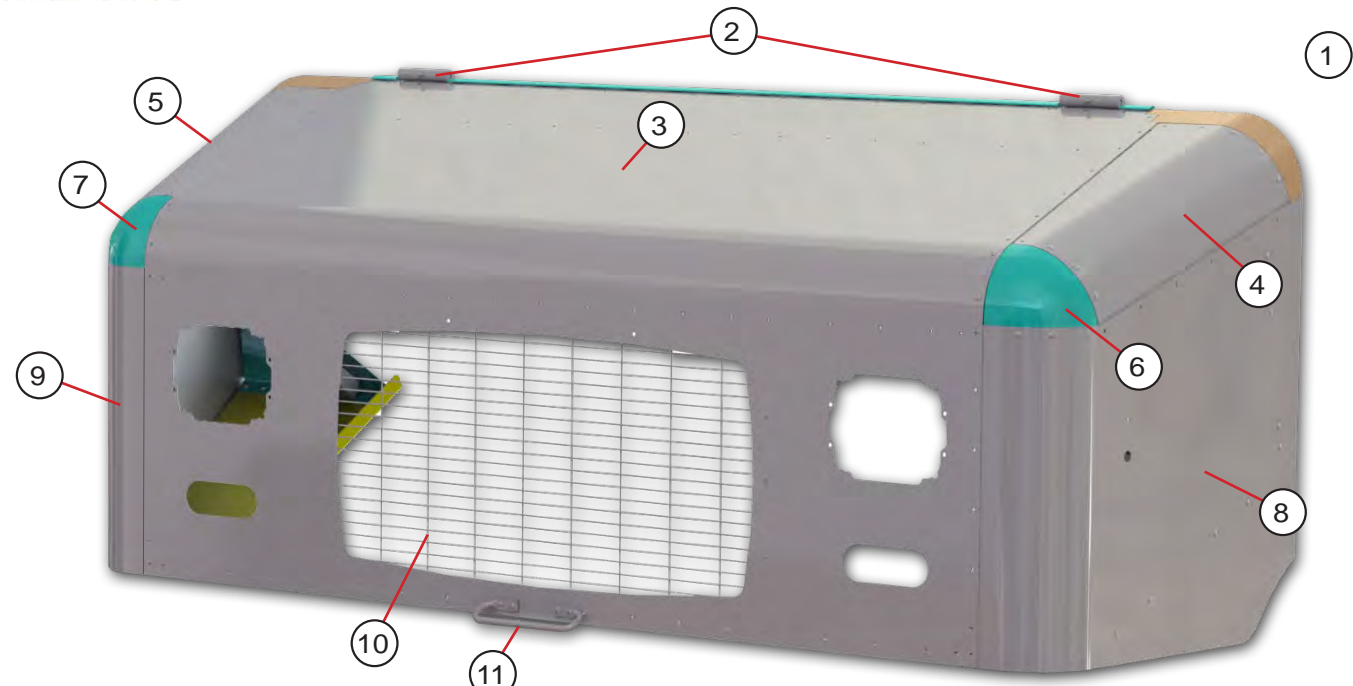
Item #	Part #	Description	Qty	UNIT
1	<a href="#">247055403</a>	FRAME WINDSHIELD AL .102X53.45X69.93 LH	1	EA
2	<a href="#">247055404</a>	FRAME WINDSHIELD AL .102X53.45X70.25 RH	1	EA
3	<a href="#">077055401</a>	POST CENTER AL X44	1	EA
4	<a href="#">077055402</a>	GUSSET FRAME AL .125X6.49X7.27	1	EA
5	<a href="#">998555329</a>	GUSSET FRAME AL .125X4.6X9.19	1	EA
6	<a href="#">077055404</a>	STIFFENER HORIZONTAL AL X44.25	2	EA
7	<a href="#">077050402</a>	SHIM AL .25X1.63X20.8	1	EA
8	<a href="#">115005409</a>	SADDLE FILLER LOWER AL .125X11.67X14.5	1	EA
9	<a href="#">115005404</a>	SADDLE PLATE AL .125X15.74X24.07	1	EA
10	<a href="#">195005418</a>	TOEBOARD ADAPTOR AL .102X7.24X45.61	1	EA
11	<a href="#">115005403</a>	SIDE ENGINE BOX AL.102X19.46X27.88 LH	1	EA
12	<a href="#">205005400</a>	TOEBOARD AL .125X6.76X34.53 LH	1	EA
13	<a href="#">8502000</a>	CORNER CASTING AL LH	1	EA
14	<a href="#">8502001</a>	CORNER CASTING AL RH	1	EA
15	<a href="#">177005411</a>	SUPPORT RAIL AL .102X8.26X9.65 LH	1	EA
16	<a href="#">177005412</a>	SUPPORT RAIL AL .102X8.26X9.65 RH	1	EA
17	<a href="#">228005402</a>	STIFFENER WINDSHIELD AL .125X13.24X17.69 RH	1	EA
18	<a href="#">227005405</a>	STIFFENER WINDSHIELD AL .125X13.24X17.69 LH	1	EA
19	<a href="#">245005400</a>	CAB SKIRT AL .07X27.29X30.57 LH	1	EA
20	<a href="#">245005401</a>	CAB SKIRT AL .07X27.28X30.57 RH	1	EA
21	<a href="#">47008545</a>	VENT 2WAY HINGELESS	2	EA
22	<a href="#">47008548</a>	GASKET FOR VENT #47008545	2	EA
23	<a href="#">077050406</a>	GUSSET TOEBOARD AL .125X5.23X14.88 RH	1	EA
24	<a href="#">093005512</a>	DASH SHELF AL .125X13.74X89	1	EA
25	<a href="#">220005402</a>	RAIL WINDSHIELD 93W AL X89	1	EA
26	<a href="#">098005501</a>	ENGINE BOX HOUSING AL .102X20.85X32.55 RH	1	EA
27	<a href="#">115005401</a>	DASH PANEL DRIVER ISLAND AL .125X8.46X30.45	1	EA
28	<a href="#">115005408</a>	SADDLE FILLER LOWER AL .125X9.6X13.06	1	EA
29	<a href="#">195005410</a>	TRANSITION CASTING CAB F59	1	EA
30	<a href="#">177005408</a>	TOEBOARD AL .102X28.08X29.44 RH	1	EA
31	<a href="#">217005441</a>	DASH WALL AL .125X25.89X60.38	1	EA
32	<a href="#">217005430</a>	ENGING BOX TOP F59 AL .125X15.89X33.04	1	EA
33	<a href="#">145028400</a>	PANEL ENGINE BOX LID AL .102X20.3X33.06	1	EA
34	<a href="#">47007859</a>	HINGE OFFSET	2	EA
35	<a href="#">117028400</a>	SHIM @ OFFSET HINGE	2	EA
36	<a href="#">47006630</a>	CLIP PLASTIC ROUND HEAD 1.32-1.34	15	EA
37	<a href="#">1107270</a>	SEAL - QUICK EDGE TRIM	8	FT
38	<a href="#">46001404</a>	PLUG DASH WALL 1.625"	1	EA
39	<a href="#">47000932</a>	LATCH - ADJUSTABLE DRAW	2	EA
40	<a href="#">96756400</a>	GLASS - WINDSHIELD FRONT 31.29X44.04	2	EA
41	<a href="#">006756400</a>	GLASS - SIDE WINDOW TRIANGLE 30 DEG	2	EA
42	<a href="#">44004303</a>	WEATHER STRIP X147.5	2	EA
42	<a href="#">44004309</a>	WEATHER STRIP X86.25	2	EA





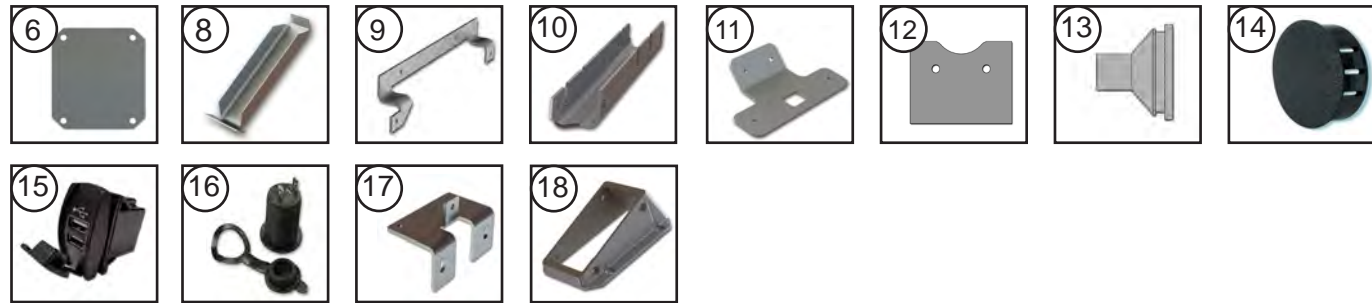
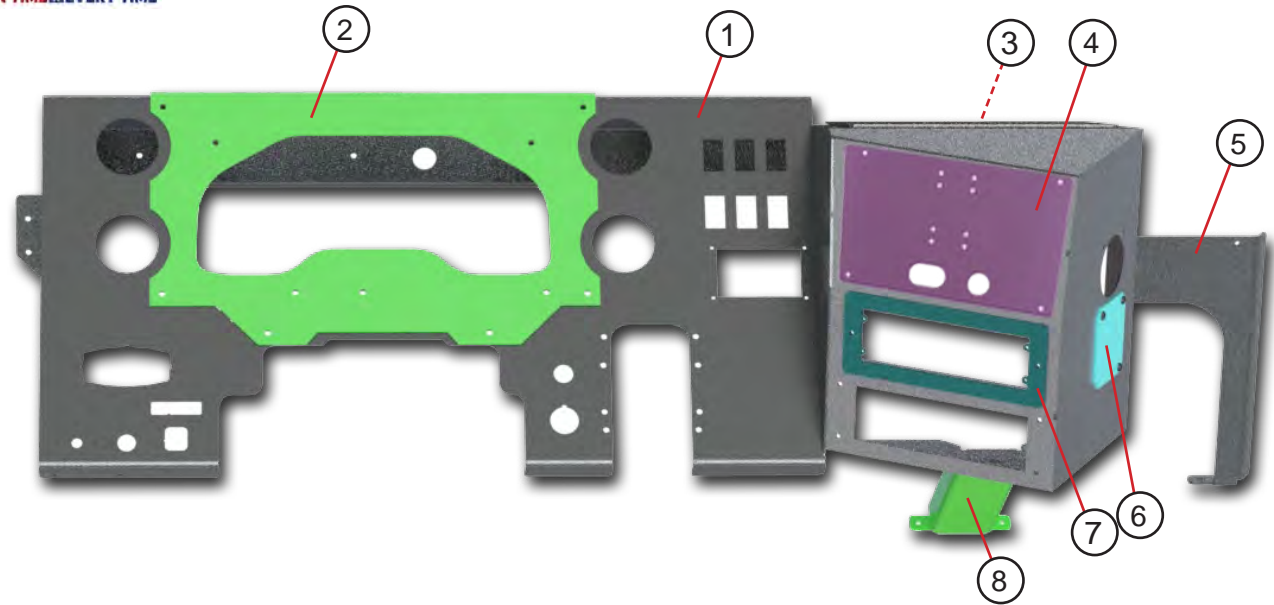
ITEM #	PART #	DESCRIPTION	QTY	UNIT
1	<a href="#">240076400</a>	COVER WIPER MOTOR AL	1	EA
2	<a href="#">47007888</a>	HINGE - COMPARTMENT DOOR	2	EA
3	<a href="#">240076405</a>	SHIM HINGE AL .102X.63X1.97	2	EA
4	<a href="#">103076400</a>	DOOR - OVERHEAD COMPARTMENT AL	1	EA
5	<a href="#">47001500</a>	LOCK CYLINDER 1-PT W/2 KEYS	1	EA
6	<a href="#">1107102</a>	PLUG - RUBBER BUMPER	2	EA
7	<a href="#">230076405</a>	SHELF OVERHEAD AL	1	EA
8	<a href="#">230076411</a>	DIVIDER SHELF WIPER COVER AL .102X9.76X9.89	1	EA
9	<a href="#">230076406</a>	BRACKET MOUNTING AL .102X2.18X9.13	2	EA
10	<a href="#">077240400</a>	CROSSMEMBER CENTER AL 456106X41	1	EA
11	<a href="#">245024202</a>	STEP ASSEMBLY 88W LH	1	EA
12	<a href="#">245024201</a>	STEP ASSEMBLY 88W RH	1	ea
13	<a href="#">96724608</a>	PAD DAMPENING VNL452000X9X20	1	EA
14	<a href="#">248024400</a>	LID BATTERY AL .125X22.25X23.65	1	EA
15	<a href="#">187024401</a>	HINGE AL .075X1.12X1.75X20	1	EA
16	<a href="#">45503042</a>	LATCH COMPRESSION RECESSED	2	EA
NS	<a href="#">107024416</a>	PLATE FILLER STEP AL .125X4.03X4.87 LH	1	EA
18	<a href="#">107024415</a>	PLATE FILLER STEP AL .125X4.03X4.87 RH	1	EA
19	<a href="#">105024209</a>	TRANSVERSE FLOOR ASSEMBLY AL F-59	1	EA
20	<a href="#">40900080</a>	STUD	8	EA
21	<a href="#">40900081</a>	GROMMET HALF	10	EA
22	<a href="#">40900082</a>	SPRING	8	EA
23	<a href="#">247019409</a>	PLATE SCUFFF ALD .125X11.32X18.33	1	EA
24	<a href="#">44000400</a>	FLOOR MAT TOEBOARD LH	1	EA
25	<a href="#">44000402</a>	FLOOR MAT TOEBOARD RH	1	EA
26	<a href="#">44000291</a>	FLOOR MAT STEP RSR COR	2	EA
27	<a href="#">44000403</a>	FLOOR MAT RISER RH	1	EA
28	<a href="#">44000404</a>	FLOOR MAT CAB	1	EA
29	<a href="#">44000401</a>	FLOOR MAT STEP RISER LH	1	EA
30	<a href="#">247019410</a>	TRIM TOEBOARD LH ALD	1	EA
31	<a href="#">247019411</a>	TRIM TOEBOARD RH ALD	1	EA
32	<a href="#">247019404</a>	TRIM STEP RISER LH ALD	1	EA
33	<a href="#">247019405</a>	TRIM STEP RISER RH ALD	2	EA
NS	<a href="#">247019414</a>	TRIM STEP RISER LH OUTER ALD	2	EA
35	<a href="#">247019415</a>	TRIM STEP RISER RH OUTER ALD	1	EA
36	<a href="#">247019406</a>	TRIM FLOOR LH/RH ALD	1	EA
37	<a href="#">247019412</a>	TRIM FLOOR @ O-LINE ALD	1	EA
38	<a href="#">247019413</a>	TRIM FLOOR FORWARD ALD	1	EA
39	<a href="#">45400814</a>	PLATE STEP FIBERGLASS LH UPPER .125X9.13X17	1	EA
40	<a href="#">45400601</a>	PLATE STEP FIBERGLASS RH UPPER .17X10.39X19.75	1	EA
41	<a href="#">45400815</a>	PLATE STEP FIBERGLASS LH LOWER .125X10X16	1	EA
41	<a href="#">45400811</a>	PLATE STEP FIBERGLASS RH LOWER .125X5X24.13	1	EA



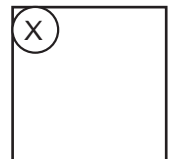
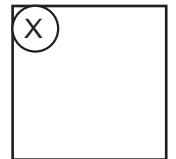
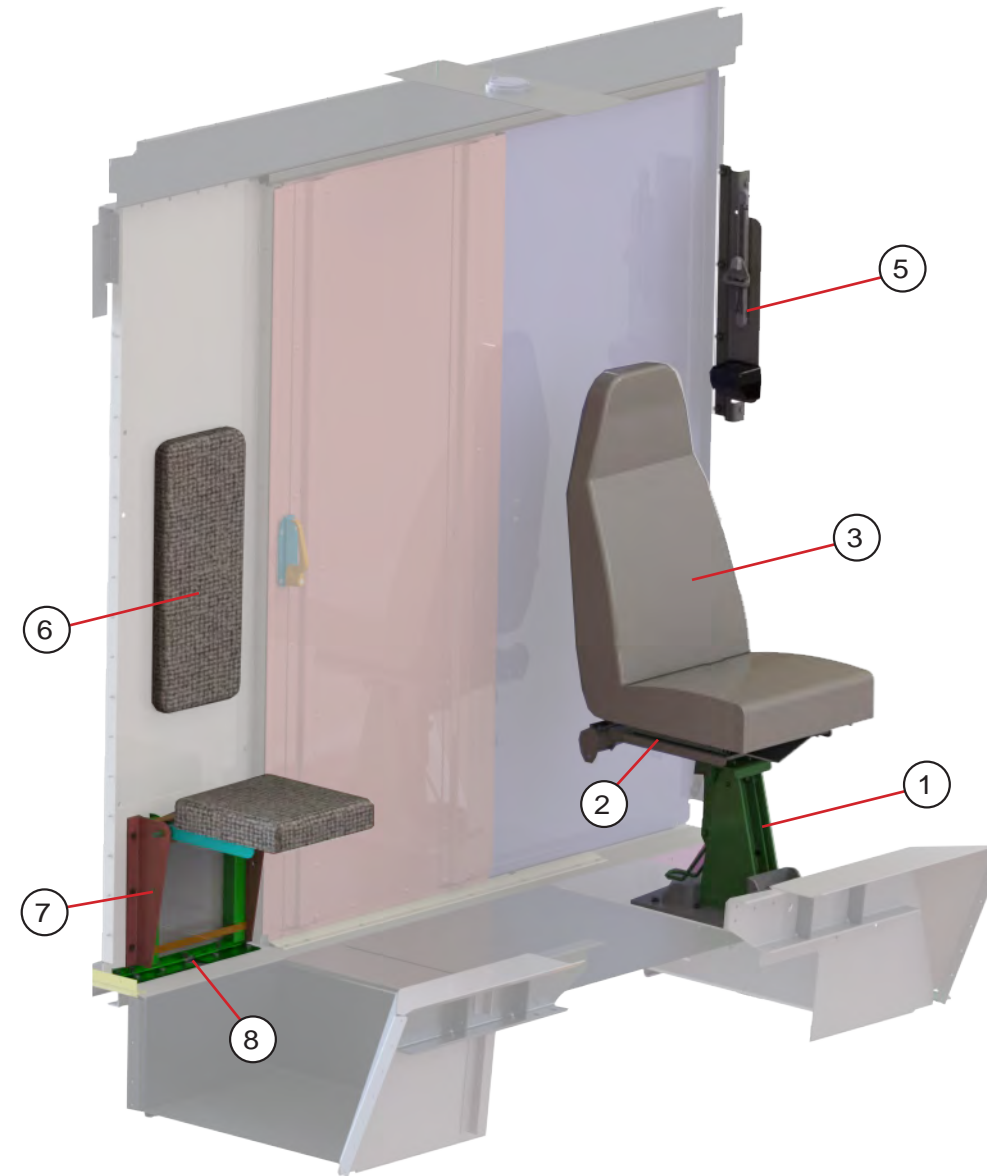


ITEM #	PART #	DESCRIPTION	QTY.	UNIT
1	<a href="#">227017007</a>	HOOD INSTALLATION TLT 93W	1	EA
2	<a href="#">47007899</a>	HINGE COMPLETE ASSEMBLY	2	EA
3	<a href="#">167017401</a>	PANEL HOOD AL	1	EA
4	<a href="#">167017404</a>	COWL HOOD AL LH	1	EA
5	<a href="#">167017405</a>	COWL HOOD AL RH	1	EA
6	<a href="#">45100057</a>	CORNER CASTING KNEE COWL FRONT LH	1	EA
7	<a href="#">45100058</a>	CORNER CASTING KNEE COWL FRONT RH	1	EA
8	<a href="#">167017406</a>	SKIRT HOOD AL LH	1	EA
9	<a href="#">167017407</a>	SKIRT HOOD AL RH	1	EA
10	<a href="#">45700101</a>	GRILLE WIRE MESH 20.5X38.81	1	EA
11	<a href="#">90187300</a>	GRAB HANDLE .5DIAX15.7	1	EA
12	<a href="#">45100060</a>	CAP AL COWL END AFT LH	1	EA
13	<a href="#">45100061</a>	CAP AL COWL END AFT RH	1	EA
14	<a href="#">167017414</a>	STIFFENER HOOD AL LH	1	EA
15	<a href="#">167017413</a>	STIFFENER HOOD AL X68.62	1	EA
16	<a href="#">167017415</a>	STIFFENER HOOD AL RH	1	EA
17	<a href="#">167017416</a>	SPLASH PAN SUPPORT AL LH	1	EA
18	<a href="#">167017417</a>	SPLASH PAN SUPPORT AL RH	1	EA
19	<a href="#">167017420</a>	STRAP AL LH	1	EA
20	<a href="#">167017421</a>	STRAP AL RH	1	EA
21	<a href="#">167017402</a>	GUSSET CORNER AL LH	1	EA
22	<a href="#">167017403</a>	GUSSET CORNER AL RH	1	EA
23	<a href="#">167017419</a>	SPLASH PAN HOOD AL LH	1	EA
24	<a href="#">167017418</a>	SPLASH PAN HOOD AL RH	1	EA
25	<a href="#">217017200</a>	SUPPORT ASSEMBLY GRILLE 93W	1	EA
26	<a href="#">44002004</a>	BUBBER BUMPER HOOD REST	2	EA
27	<a href="#">91617304</a>	TAP PLATE @ HOOD HINGE AL	2	EA
28	<a href="#">96717312</a>	SHIM @ HOOD HINGEAL	2	EA
29	<a href="#">115026400</a>	SPLASH PAN AL LH	1	EA
30	<a href="#">077260404</a>	SPLASH PAN AL RH	1	EA
31	<a href="#">40900019</a>	STUD BALL	4	EA
32	<a href="#">124016403</a>	BRACKET HOOD LOWER AL LH	1	EA
33	<a href="#">124016404</a>	BRACKET HOOD LOWER AL RH	1	EA
34	<a href="#">124016401</a>	BRACKET GAS SPRING AL LH	1	EA
35	<a href="#">124016402</a>	BRACKET GAS SPRING AL RH	1	EA
36	<a href="#">47006116</a>	GAS SPRING WITH LOCK 150LB 28/16.5 IGS	1	EA
37	<a href="#">47006117</a>	GAS SPRING W/O LOCK 150LB 28/16.5 IGS	1	EA
39	<a href="#">43000903</a>	HOOD PROPER INSTRUCTION LABEL	1	EA
40	<a href="#">227017400</a>	BRACKET REINFORCEMENT	2	EA
41	<a href="#">097016404</a>	SUPPORT ANGLE LH ( RH - 097016405)	1	EA
42	<a href="#">47000614</a>	HOOD LATCH	2	EA
43	<a href="#">077150400</a>	SUPPORT BRACKET HOOD - STEEL	2	EA
44	<a href="#">96713300</a>	ANGLE HOOD REST STEEL	2	EA

\* [INSTALLATION INCLUDES HEADLAMPS / GRILL / HINGES / WIRING / GAS SPRINGS](#)



ITEM #	PART #	DESCRIPTION	QTY	UNIT
1	<a href="#">245027201</a>	INSTRUMENT PANEL WELDMENT F59	1	EA
2	<a href="#">187027415</a>	FACE PLATE IP AL .102X11.99X18.39	1	EA
3	<a href="#">128027421</a>	ACCESS COVER PLATE AL .102X9X11	1	EA
4	<a href="#">198027403</a>	PANEL DISPLAY AL .102X5.74X10.3	1	EA
5	<a href="#">237027421</a>	BRACKET MOUNTING AL .125X8.28X12.31	1	EA
6	<a href="#">180027410</a>	PLATE COVER HVAC AL .102X3X3.46	1	EA
7	<a href="#">247027401</a>	PLATE KEYLESS MODULE AL .102X3.5X8.75	1	EA
8	<a href="#">215027409</a>	BRKT I/P AL.102X4.32X10.55	1	EA
9	187027417	IP CLUSTER MOUNT AL .102X2.67X14	1	EA
10	187027416	IP CLUSTER MOUNT AL .102X3.33X14.13	1	EA
11	<a href="#">187027412</a>	ANGLE SENSOR MOUNTING AL .07X3.96X6.63	1	EA
12	<a href="#">147005406</a>	COVER PLATE SHIFTER AL .07X3X3.85	1	EA
13	<a href="#">44000075</a>	GROMMET - WIRING HARNESS	1	EA
14	<a href="#">44000117</a>	HOLE PLUG BLACK	1	EA
15	<a href="#">46026432</a>	POWER POINT USB	2	EA
16	<a href="#">46026378</a>	POWER RECEPTICLE 12VDC W/ TETHER	1	EA
17	<a href="#">197040500</a>	CADS CAMERA MOUNTING BRACKET AL	1	EA
18	<a href="#">47000861</a>	SHIFTER MOUNTING WEDGE 17 DEGREE	1	EA

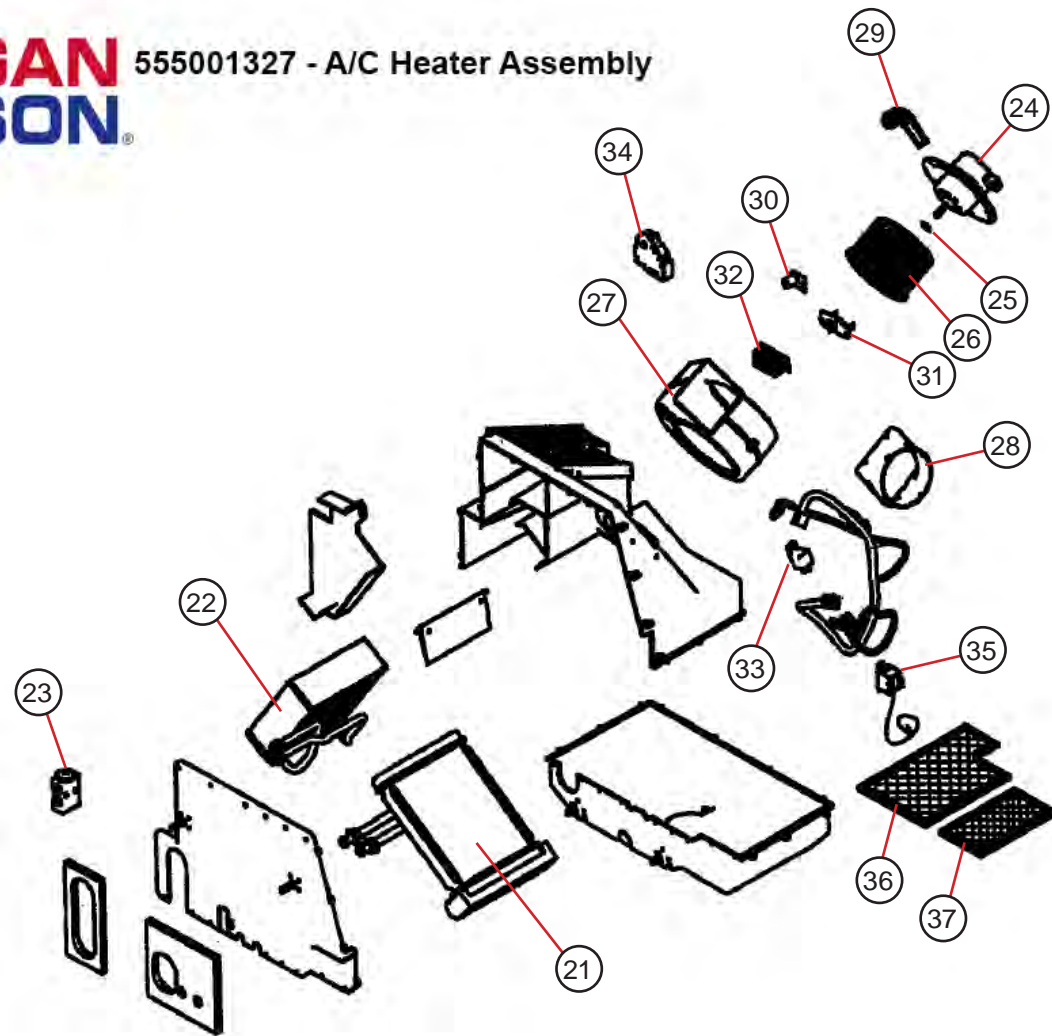


ITEM #	PART #	DESCRIPTION	QTY.	UNIT
1	<a href="#">47012658</a>	SEAT SOCKET ASSEMBLY 3POINT NTLT	1	EA
2	<a href="#">47004332</a>	PEDESTAL SEAT UPPER 3 POINT/IN FCC	1	EA
3	<a href="#">47004653</a>	DRIVER SEAT CLOTH BLACK LUMBAR	1	EA
4	<a href="#">47007912</a>	SEAT BELT ORANGE W/O TETHERS	1	EA
5	<a href="#">005754400</a>	BRACKET ANCHOR STL 7GAX7.24X25.75	1	EA
6	<a href="#">47002708</a>	SEAT HEAD BACK/REST BLACK CLOTH	1	EA
7	<a href="#">47002707</a>	SEAT JUMP FOLDING BLACK CLOTH	1	EA
8	<a href="#">91614300</a>	ANGLE FLOOR AL .188X2.84X19.1	1	EA
9	<a href="#">47004366</a>	SEAT BELT W/BOOT BLKH 3PNT OG R	1	EA





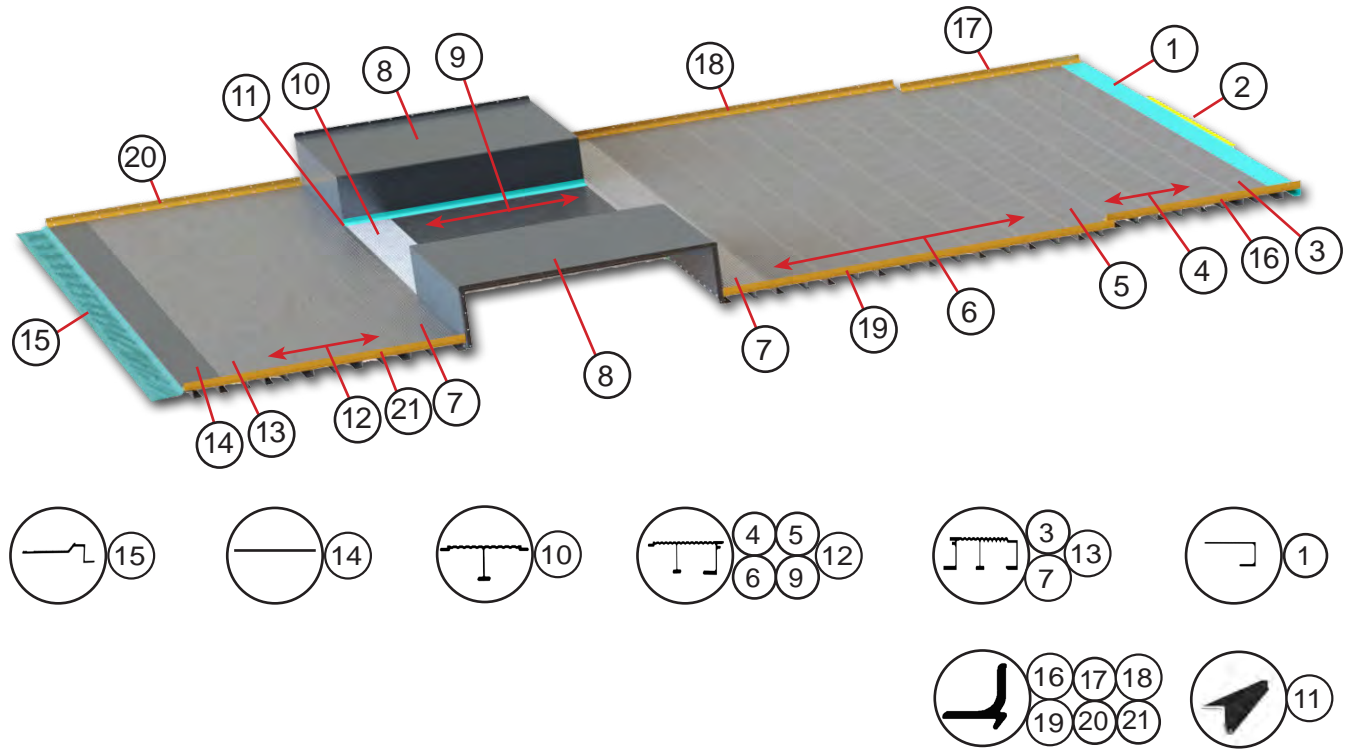
**MORGAN OLSON** 555001327 - A/C Heater Assembly



ITEM #	PART #	DESCRIPTION	QTY	UNIT
1	<a href="#">555001327</a>	HEATER A/C ASSEMBLY	1	EA
2	<a href="#">555001425</a>	PANEL CONTROL HVAC	1	EA
3	<a href="#">555002057</a>	WATER VALVE	1	EA
4	<a href="#">220063400</a>	BRACKET - HEATER CONTROL (WATER VALVE)	1	EA
5	<a href="#">555001723</a>	DEFROSTER DUCT RH METAL	1	EA
6	<a href="#">555001724</a>	DEFROSTER DUCT LH METAL	1	EA
7	<a href="#">093080400</a>	PLATE - HOLD DOWN (DEFROSTER DUCTS)	4	EA
8	<a href="#">555001715</a>	LOUVER BALL	7	EA
9	<a href="#">555001523</a>	HOSE DEFROSTER 2.5 X 16"	2	EA
9	<a href="#">555001524</a>	HOSE DEFROSTER 2.5 X 30"	3	EA
9	<a href="#">555001525</a>	HOSE DEFROSTER 2.5 X 38"	2	EA
10	<a href="#">555001533</a>	HOSE BLOWER 5 X 7.5" (HEATER TO PLENUM)	1	EA
11	<a href="#">200027500</a>	MOUNTING BRACKET - FOOT DUMP LOUVER	1	EA
12	<a href="#">47008017</a>	CONNECTOR STRAIGHT .62ID BLACK NYLON	3	EA
13	<a href="#">1107072</a>	GROMMET	1	EA
14	<a href="#">555002109</a>	DRAIN RESISTOR ASSEMBLY	1	EA
15	<a href="#">555001326</a>	DUCT - HVAC HEATER PLENUM	1	EA
16	<a href="#">47008690</a>	HOSE HEATER FORMED 9.25"	2	EA
17	<a href="#">46026312</a>	TIE WRAP 21"	2	EA
18	<a href="#">217005437</a>	COVER PLATE - FRESH AIR INTAKE	1	EA
19	<a href="#">217005433</a>	BRACKET - FRESH AIR INTAKE	1	EA
20	<a href="#">220080005</a>	FILTER KIT - FRESH AIR INTAKE	1	EA
21	<a href="#">47008760</a>	HEATER COIL W/ GASKETS & CLAMP	1	EA
22	<a href="#">47008763</a>	EVAPORATOR COIL ASSEMBLY	1	EA
23	<a href="#">47008138</a>	EXPANSION VALVE	1	EA
24	<a href="#">46032339</a>	BLOWER MOTOR	1	EA
25	<a href="#">47008799</a>	BLOWER SHAFT RETAINER CLIP	1	EA
26	<a href="#">47008769</a>	BLOWER WHEEL	1	EA
27	<a href="#">47008754</a>	BLOWER HOUSING	1	EA
28	<a href="#">47008755</a>	BLOWER ADAPTOR	1	EA
29	<a href="#">47008730</a>	VENT TUBE	1	EA
30	<a href="#">47008731</a>	VENT TUBE ADAPTOR	1	EA
31	<a href="#">47008460</a>	RESISTOR	1	EA
32	<a href="#">47008732</a>	RESISTOR CAGE	1	EA
33	<a href="#">47008716</a>	RELAY	1	EA
34	<a href="#">47008705</a>	SERVO MOTOR	1	EA
35	<a href="#">47008615</a>	THERMOSTAT	1	EA
36	<a href="#">47008624</a>	FILTER	1	EA
37	<a href="#">47008625</a>	FILTER	1	EA
NS	<a href="#">990002285</a>	A/C PARTS KIT - SEE PARTS BREAKDOWN ONLINE	1	EA

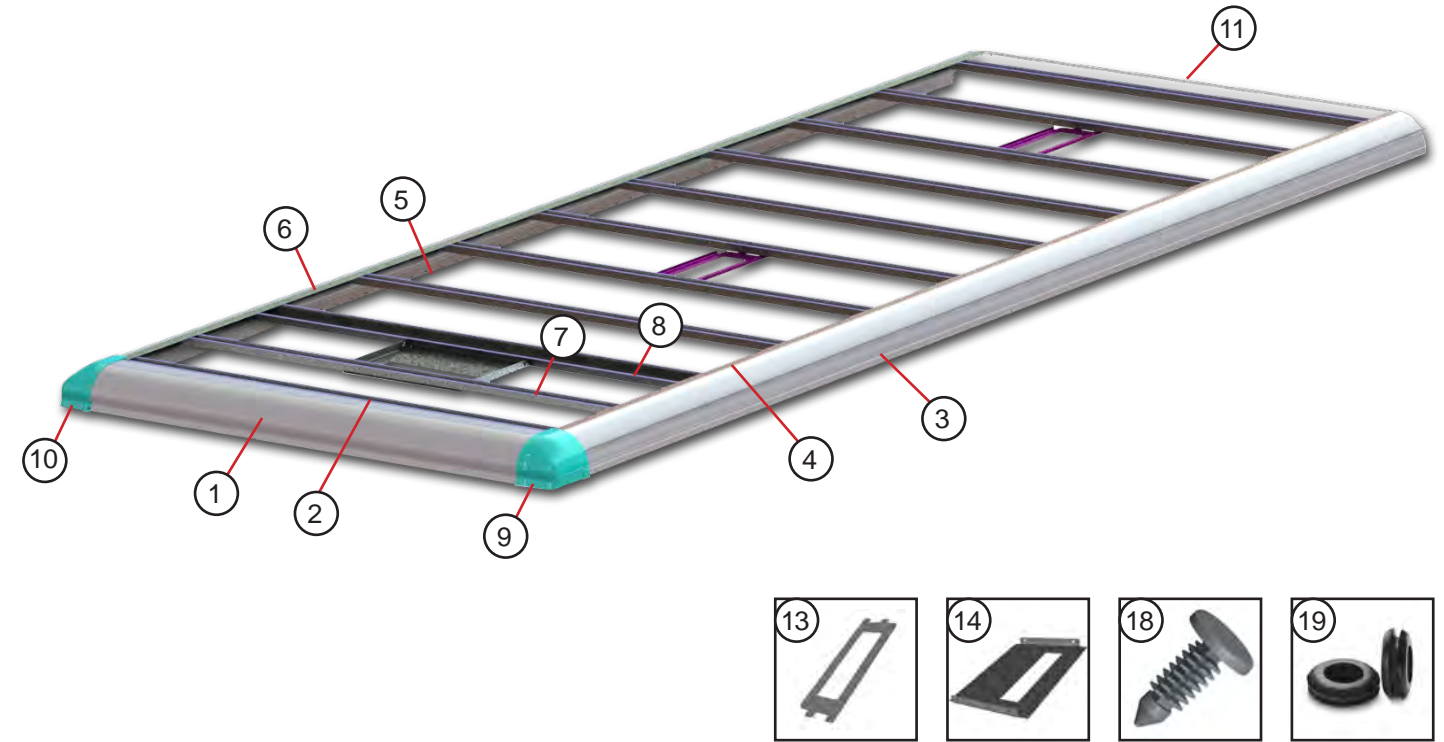


Floor

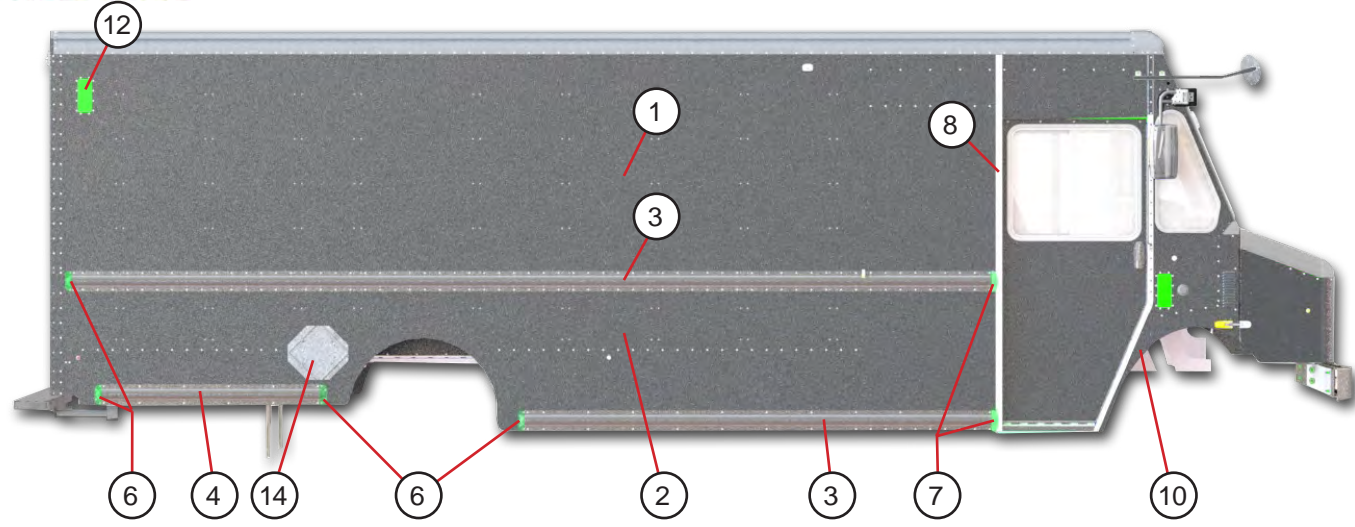


ITEM #	PART #	DESCRIPTION	QTY.	UNIT
1	215031417	BEAM @ O-LINE	1	EA
2	<a href="#">125031401</a>	STEP ANGLE AL X33.88"	1	EA
3	<a href="#">45058301</a>	BEAM FLOOR 7" (215031400)	2	EA
4	<a href="#">45058402</a>	BEAM FLOOR 8" (215031401)	3	EA
5	<a href="#">45058401</a>	BEAM FLOOR 8" (215031402)	1	EA
6	<a href="#">45058603</a>	BEAM FLOOR 8" (215031403)	6	EA
7	<a href="#">45058701</a>	BEAM FLOOR 9" (215031404)	2	EA
8	<a href="#">215031211</a>	WHEEL BOX ASSEMBLY	2	EA
9	<a href="#">45058611</a>	BEAM FLOOR 9" (190032401)	4	EA
10	<a href="#">45058500</a>	BEAM FLOOR 8" (190032400)	1	EA
11	<a href="#">95869302</a>	ANGLE - WHEEL BOX ATTACH 44"	2	EA
12	45058401	BEAM FLOOR 8" (215031406)	3	EA
13	<a href="#">45058303</a>	BEAM FLOOR 7" (215031405)	1	EA
14	095033435	FLOOR PLATE - FILLER	1	EA
15	<a href="#">215031407</a>	DROP SILL AL	1	EA
16	<a href="#">215031500</a>	ANGLE ATTACH - FLOOR TO SIDE FORWARD RH	1	EA
17	<a href="#">220031410</a>	ANGLE ATTACH - FLOOR TO SIDE FORWARD LH	1	EA
18	215031505	ANGLE ATTACH - FLOOR TO SIDE MID LH	1	EA
19	<a href="#">215031506</a>	ANGLE ATTACH - FLOOR TO SIDE MID RH	1	EA
20	<a href="#">215031507</a>	ANGLE ATTACH - FLOOR TO SIDE REAR LH	1	EA
21	<a href="#">215031508</a>	ANGLE ATTACH - FLOOR TO SIDE REAR RH	1	EA

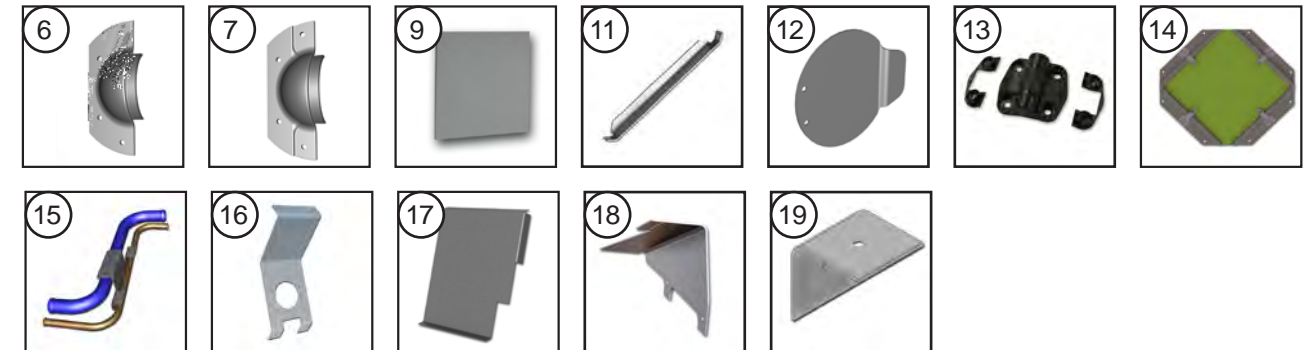
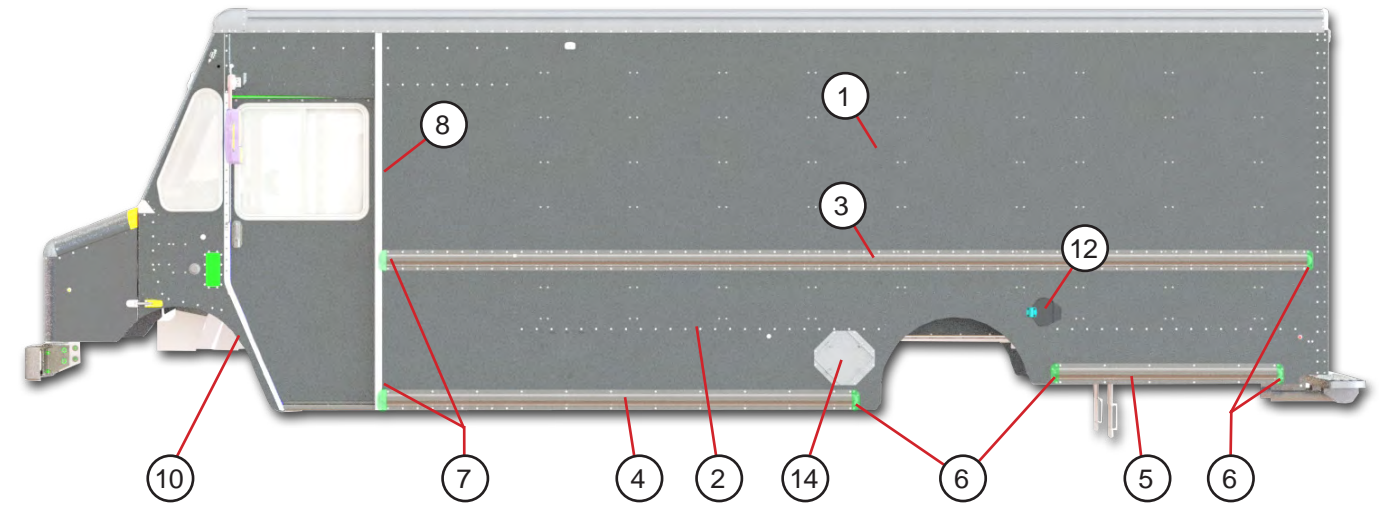
Roof



ITEM #	PART #	DESCRIPTION	QTY.	UNIT
1	<a href="#">83010400</a>	NOSE ROOF 93W AL 82.5"	1	EA
2	<a href="#">89310506</a>	INTERLOCK ROOF NOSE AL 81.75"	1	EA
3	217010412	RAIL ROOF LH 236.97"	1	EA
4	217010414	INTERLOCK ROOF RAIL LH AL 226.97"	1	EA
5	<a href="#">217010413</a>	RAIL ROOF RH 236.97"	1	EA
6	217010415	INTERLOCK ROOF RAIL RH AL 236.97"	1	EA
7	<a href="#">45601603</a>	ROOF BOW STEEL 16GA SEC456016 X89.12	10	EA
8	<a href="#">118010402</a>	ROOF BOW @ O/LINE 14GA 89.12"	1	EA
9	<a href="#">077100400</a>	CORNER CASTING AL RF LH	1	EA
10	<a href="#">077100401</a>	CORNER CASTING AL RF RH	1	EA
11	<a href="#">89310507</a>	INTERLOCK ROOF REAR AL 79.13"	1	EA
NS	<a href="#">45200897</a>	ROOF SKIN RISC	19.98	FT
13	<a href="#">100092401</a>	BRACKET DOME LAMP CARGO	3	EA
14	<a href="#">090091403</a>	BRACKET DOME LAMP CAB	1	EA
NS	<a href="#">47006610</a>	INSULATION FBG 1" X 48" X 8 FT	8	FT
NS	<a href="#">118011402</a>	LINER ROOF EMBOSSED 37.13 X 86.75" (CAB)	1	EA
NS	<a href="#">100011400</a>	POLYESTER FILLER 4 X 22.5"	4	EA
18	47006610	PLASTIC CLIP	33	EA
19	<a href="#">44000052</a>	GROMMET 1X.125X1.3125	3	EA
19	<a href="#">1107109</a>	GROMMET 0.375X0.125X0.0625	1	EA



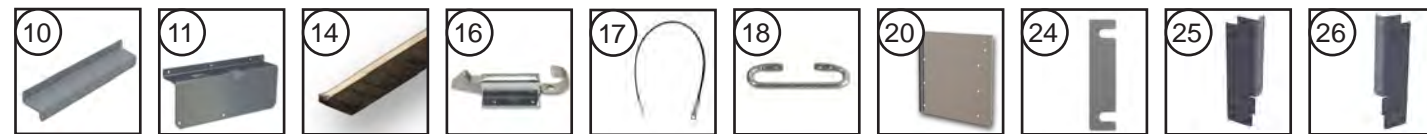
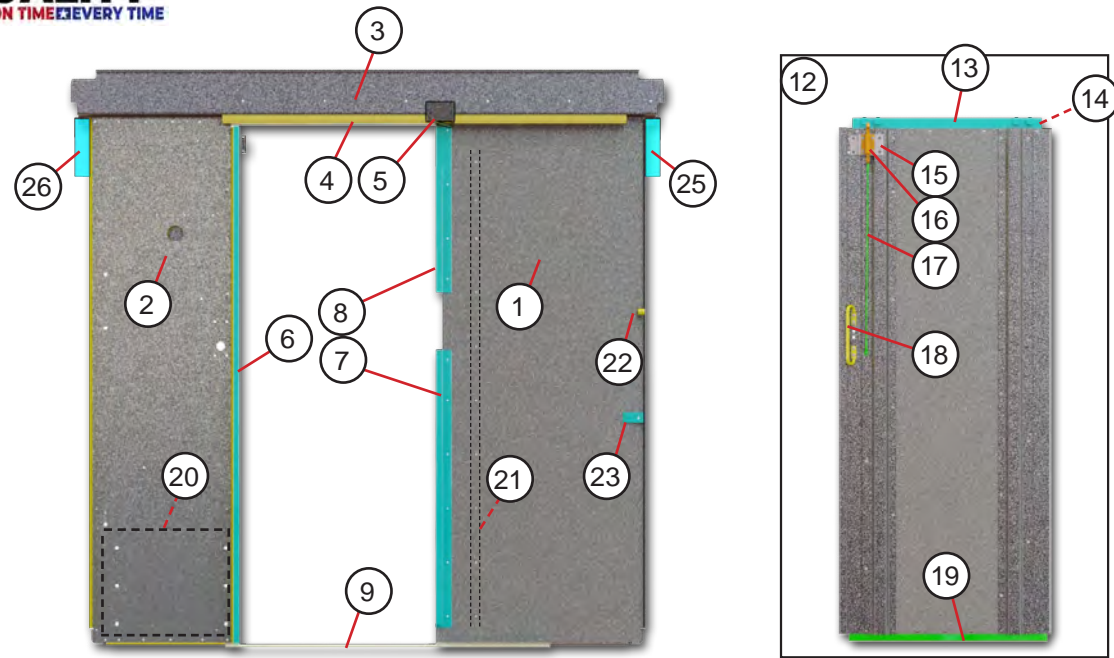
ITEM #	PART #	DESCRIPTION	QTY	UNIT
1	245038410	SIDE PANEL UPPER AL .102X60X201.31 LH/RH	1	EA
2	245037407	SIDE PANEL LOWER AL .102X38.79X201.31 RH	1	EA
3	210039402	RUB RAIL AL X193.38	1	EA
4	237039523	RUB RAIL AL X95.32	1	EA
5	237039503	RUB RAIL AL X38.33	1	EA
6	<a href="#">1100799</a>	END CAP REAR AL CASTING	4	EA
7	<a href="#">1100800</a>	END CAP FORWARD AL CASTING	2	EA
8	<a href="#">107400401</a>	B/POST AL X101.12 RH	1	EA
9	<a href="#">7600165</a>	PLATE FILLER AL .125X3.19X2.5	1	EA
10	<a href="#">177022401</a>	SKIRT TAIL AL RH	1	EA
11	<a href="#">001744400</a>	STRAP FLOOR TO SIDE AL	3	EA
12	<a href="#">47008545</a>	VENT AL 2WAY HINGELESS	1	EA
13	<a href="#">47008548</a>	GASKET FOR VENT #47008545	1	EA
14	<a href="#">43000514</a>	PLACARD - FLIP SIGN	1	EA



ITEM #	PART #	DESCRIPTION	QTY	UNIT
1	245038409	SIDE PANEL UPPER AL .102X60X201.31 LH/RH	1	EA
2	245037406	SIDE PANEL LOWER AL .102X38.79X201.31 LH	1	EA
3	210039402	RUB RAIL AL 450002X193.38	1	EA
4	237039523	RUB RAIL AL 450002X95.32	1	EA
5	237039503	RUB RAIL AL 450002X38.33	1	EA
6	<a href="#">1100799</a>	END CAP REAR AL CASTING	4	EA
7	<a href="#">1100800</a>	END CAP FORWARD AL CASTING	2	EA
8	<a href="#">107400400</a>	B/POST AL 450274X101.12 LH	1	EA
9	<a href="#">7600165</a>	PLATE FILLER AL .125X3.19X2.5	1	EA
10	<a href="#">177022400</a>	SKIRT TAIL AL LH	5	EA
11	<a href="#">001744400</a>	STRAP FLOOR TO SIDE AL	3	EA
12	<a href="#">96340900</a>	DOOR - FUEL FILL AL	1	EA
13	<a href="#">47007888</a>	HINGE - FUEL FILL DOOR	2	EA
14	<a href="#">43000514</a>	PLACARD - FLIP SIGN	1	EA
15	<a href="#">115012400</a>	EXTENSION FUEL FILL	1	EA
16	<a href="#">115012402</a>	BRACKET FUEL FILL MOUNT AL	1	EA
17	<a href="#">115012403</a>	SPLASH PAN FUEL FILL AL .102X27.17X28.43	1	EA
18	<a href="#">115012406</a>	ANGLE HANGER EXTENSION AL .07X6.6X12.96	1	EA
19	<a href="#">82312025</a>	CLIP - MOUNTING AL	1	EA

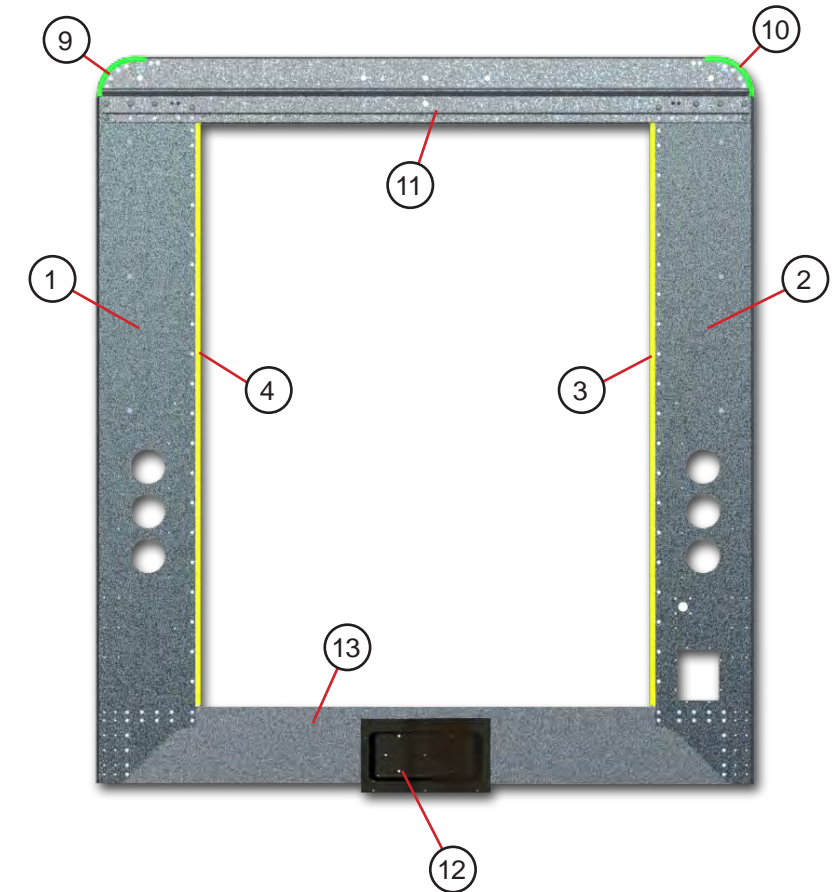
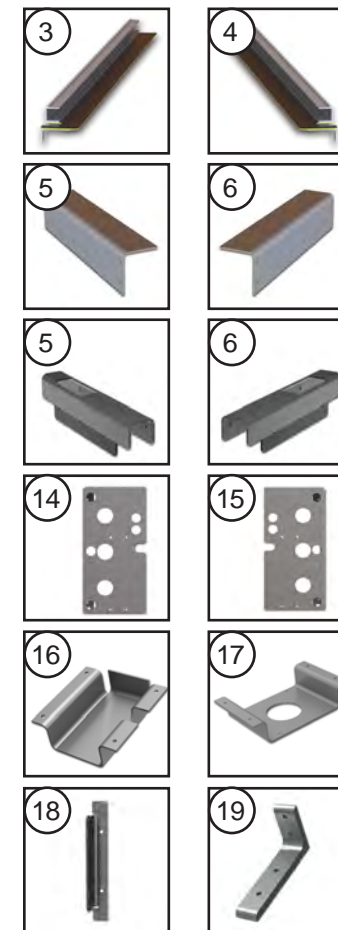


### Bulkhead



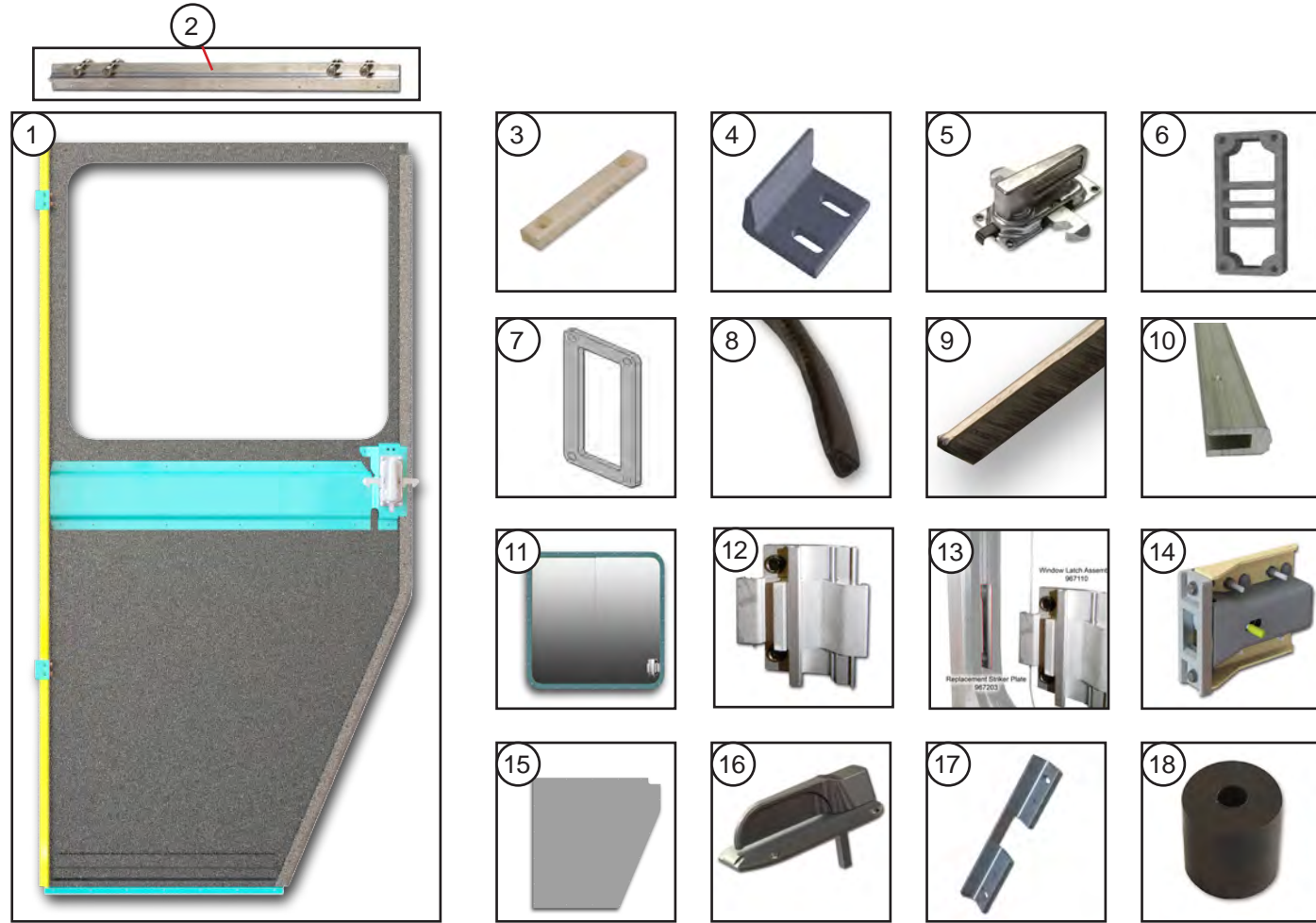
ITEM #	PART #	DESCRIPTION	QTY	UNIT
1	247070413	PANEL BULKHEAD AL LH	1	EA
2	247070402	PANEL BULKHEAD AL RH	1	EA
3	<a href="#">247070406</a>	HEADER BULKHEAD ZEE AL	1	EA
4	<a href="#">088070256</a>	DOOR TRACK ASSEMBLY X64"	1	EA
5	<a href="#">98770202</a>	STRIKER ASSEMBLY WELDED	1	EA
6	<a href="#">167070409</a>	JAMP BULKHEAD DOOR AL X76.44	1	EA
7	247070404	CHANNEL BULKHEAD AL X41.09	1	EA
8	<a href="#">207070410</a>	CHANNEL BULKHEAD AL X24.56	1	EA
9	<a href="#">96770316</a>	GUIDE DOOR FLOOR AL X47.88	1	EA
10	<a href="#">247070405</a>	GUARD WIRING BULKHEAD AL	1	EA
11	247070406	GUARD WIRING BULKHEAD AL	1	EA
12	247070202	DOOR ASSEMBLY - BULKHEAD	1	EA
13	<a href="#">088070257</a>	HANGER ASSEMBLY BULKHEAD DOOR	1	EA
14	<a href="#">44008050</a>	SEAL BRUSH TYPE B 1X83.9	1	EA
15	<a href="#">92537309</a>	MOUNTING PLATE LATCH AL	1	EA
16	<a href="#">1113046</a>	LATCH FINGER PULL	1	EA
17	<a href="#">1113600</a>	CABLE BULKHEAD DOOR BLACK VINYL 29"	1	EA
18	90187300	GRAB HANDLE AL .5DIA2.13X9	1	EA
19	<a href="#">247070409</a>	GUIDE DOOR STRIP X29.5	1	EA
20	<a href="#">167070406</a>	PLATE REINFORCEMENT JUMP SEAT AL	1	EA
21	<a href="#">083069404</a>	STIFFENER JUMP SEAT AL X72.12	1	EA
22	<a href="#">44002016</a>	BUMPER RUBBER	1	EA
23	<a href="#">45200208</a>	DOOR CHOCK NYLON	1	EA
24	<a href="#">207070412</a>	SHIM BULKHEAD DOOR AL .125X.63X2.63	1	EA
25	<a href="#">167070407</a>	PLATE FILLER BULKHEAD LH	1	EA
26	<a href="#">167070408</a>	PLATE FILLER BULKHEAD RH	1	EA

### Back

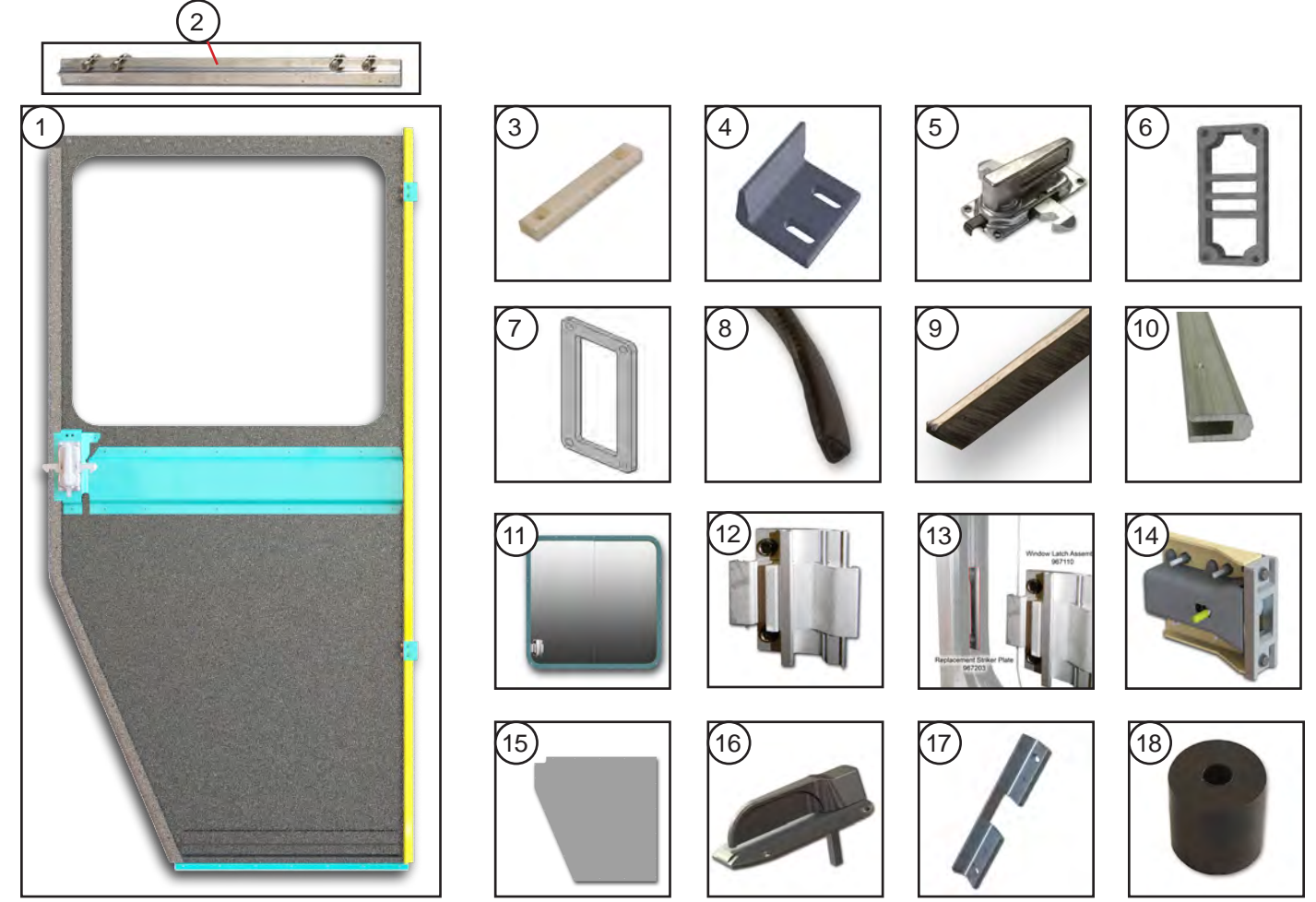


ITEM #	PART #	DESCRIPTION	QTY.	UNIT
1	240053411	PANEL BACK AL LH	1	EA
2	240053412	PANEL BACK AL RH	1	EA
3	247053201	DOOR POST / JAMB ASSEMBLY RH	1	EA
4	<a href="#">97024202</a>	DOOR POST / JAMB ASSEMBLY LH	1	EA
5	<a href="#">210053420</a>	REINFORCEMENT INNER AL 450176X35 RH	1	EA
6	<a href="#">210053419</a>	REINFORCEMENT INNER AL 450176X35 LH	1	EA
7	210053411	BRACKET TRANSOM REAR LH AL	1	EA
8	210053412	BRACKET TRANSOM REAR RH AL	1	EA
9	<a href="#">45100098</a>	CORNER CASTING LH	1	EA
10	<a href="#">45100099</a>	CORNER CASTING RH	1	EA
11	240053413	TRANSOM REAR X91.62"	1	EA
12	<a href="#">140092400</a>	LICENSE PLATE BOX	1	EA
13	240053414	SILL REAR 93W	1	EA
14	<a href="#">160053408</a>	LAMP GUARD LH AL LH	1	EA
15	<a href="#">160053409</a>	LAMP GUARD RH AL RH	1	EA
16	<a href="#">227081403</a>	GUARD KEYLESS REAR AL	1	EA
17	227081401	BRACKET KEYLESS BOX AL	1	EA
18	227081402	BRACKET KEYLESS BOX AL	2	EA
19	<a href="#">90650309</a>	CLIP ANGLE AL	2	EA

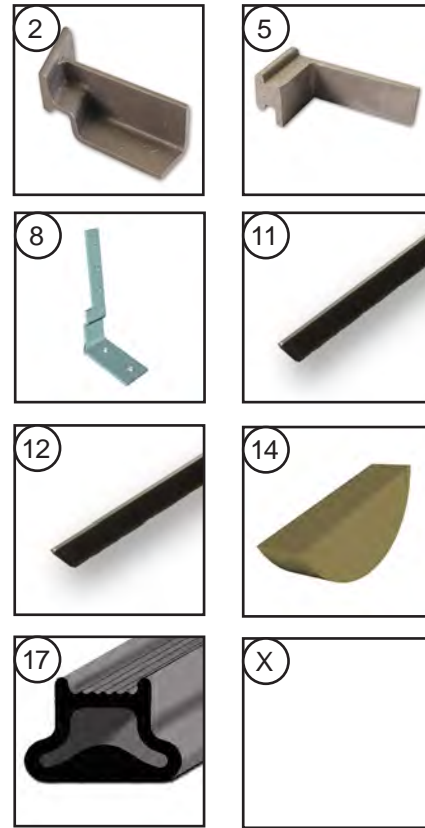
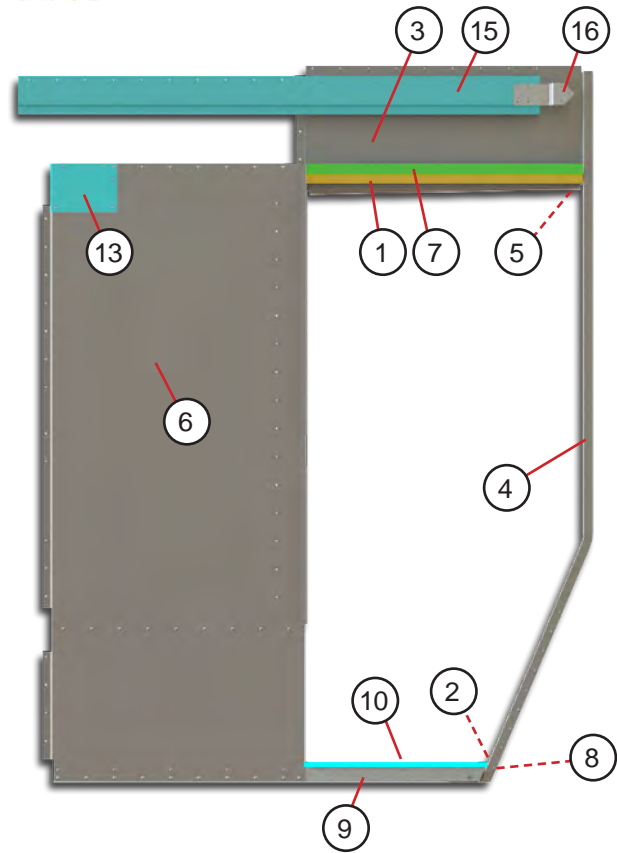




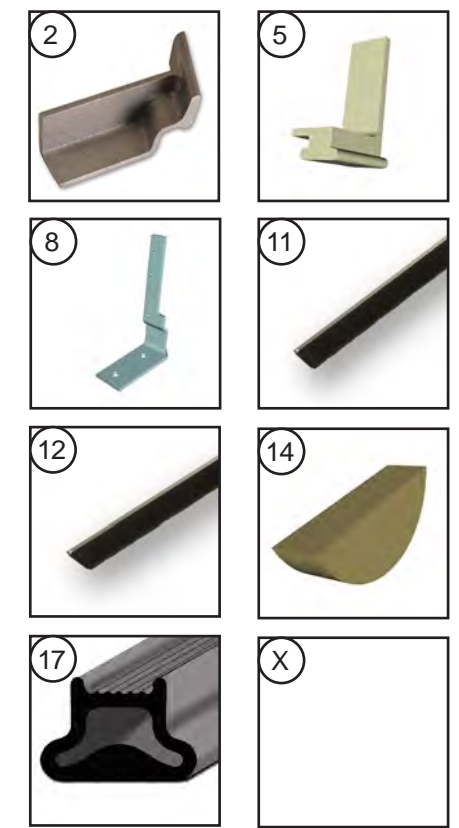
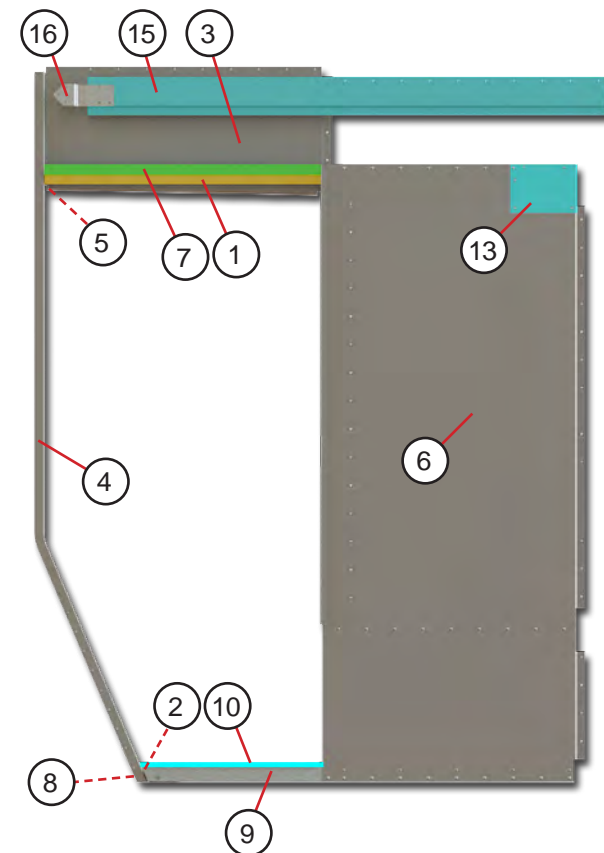
ITEM #	PART #	DESCRIPTION	QTY	UNIT
1	<a href="#">210060201</a>	DOOR SIDE ASSEMBLY LH	1	EA
2	96760203	HANGER ASSEMBLY W/ BEARINGS	1	EA
3	45200206	SPACER ANTI RATTLE NYLON	2	EA
4	45300377	CLIP ANTI RATTLE D/PKT	2	EA
5	45100168	LOCK MECHINISM INNER	1	EA
6	087181	SPACER LOCK .54 DP ZN	1	EA
7	157060404	SPACER LOCK AL .188X2.5X5.5	1	EA
8	44000260	TRIM QUICK EDGE	1	FT
9	44008050	SEAL BRUSH TYPE B 1X83.9	1	EA
9	44004060	SEAL BRUSH TYPE C 1.5X82	1	EA
10	210060408	WEAR STRIP AL 450008X26 LH/RH	1	EA
11	<a href="#">45800134</a>	WINDOW SLIDING LH	1	EA
12	967110	REPLACEMENT WINDOW LATCH	-	EA
13	967203	REPLACEMENT STRIKER PLATE FOR WINDOW LATCH	-	EA
14	<a href="#">46029041</a>	LOCK ASSEMBLY KEYLESS ENTRY LH	1	EA
15	118060403	PANEL LOWER DOOR AL .07X39.4X40.02 RH	1	EA
16	47000688	DOOR HANDLE PADDLE TYPE NON LOCKING	1	EA
17	198041400	STRIKER REAR	1	EA
18	44002011	RUBBER BUMPER	1	EA



ITEM #	PART #	DESCRIPTION	QTY	UNIT
1	<a href="#">210060202</a>	DOOR SIDE ASSEMBLY LH	1	EA
2	<a href="#">96760203</a>	HANGER ASSEMBLY W/ BEARINGS	1	EA
3	<a href="#">45200206</a>	SPACER ANTI RATTLE NYLON	2	EA
4	<a href="#">45300377</a>	CLIP ANTI RATTLE D/PKT	2	EA
5	<a href="#">45100168</a>	LOCK MECHINISM INNER	1	EA
6	<a href="#">087181</a>	SPACER LOCK .54 DP ZN	1	EA
7	<a href="#">157060404</a>	SPACER LOCK AL .188X2.5X5.5	1	EA
8	<a href="#">44000260</a>	TRIM QUICK EDGE	1	FT
9	44008050	SEAL BRUSH TYPE B 1X83.9	1	EA
9	<a href="#">44004060</a>	SEAL BRUSH TYPE C 1.5X82	1	EA
10	<a href="#">210060408</a>	WEAR STRIP AL 450008X26 LH/RH	1	EA
11	<a href="#">45800135</a>	WINDOW SLIDING RH	1	EA
12	<a href="#">967110</a>	REPLACEMENT WINDOW LATCH	-	EA
13	<a href="#">967203</a>	REPLACEMENT STRIKER PLATE FOR WINDOW LATCH	-	EA
14	<a href="#">46029042</a>	LOCK ASSEMBLY KEYLESS ENTRY RH	1	EA
15	<a href="#">118060403</a>	PANEL LOWER DOOR AL .07X39.4X40.02 RH	1	EA
16	<a href="#">47000688</a>	DOOR HANDLE PADDLE TYPE NON LOCKING	1	EA
17	<a href="#">198041400</a>	STRIKER REAR	1	EA
18	<a href="#">44002011</a>	RUBBER BUMPER	1	EA

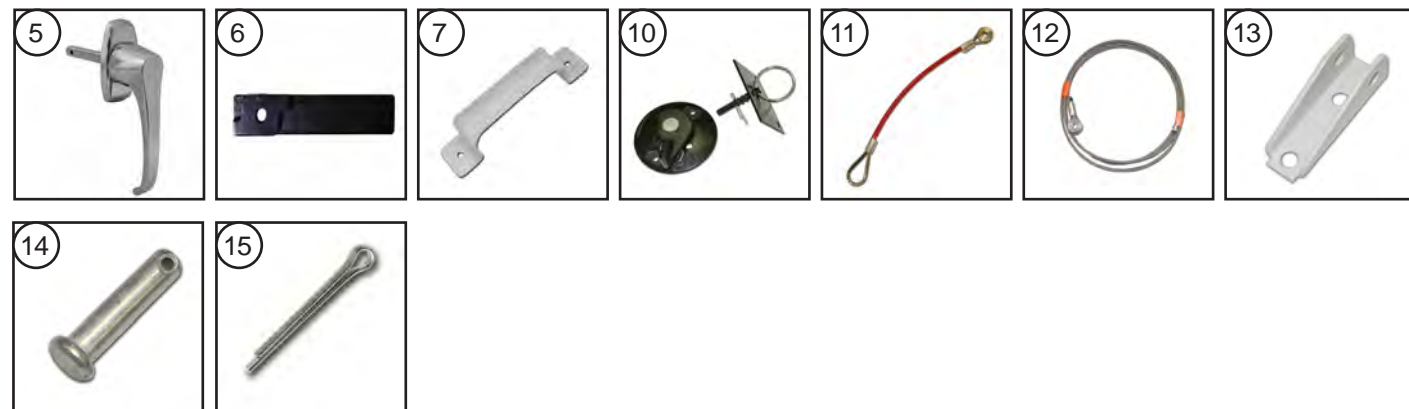


ITEM #	PART #	DESCRIPTION	QTY.	UNIT
1	96741202	TRACK ASSEMBLY UPPER	1	EA
2	<a href="#">45100104</a>	AL CASTING LOWER @ DOOR POST LH	1	EA
3	<a href="#">177041402</a>	PANEL HEADER AL .102X19.49X42.36 LH	1	EA
4	<a href="#">157041400</a>	DOOR POST FORWARD AL 450294X102.43 LH	1	EA
5	<a href="#">45100048</a>	GUSSET AL CASTING HEADER CHANNEL TO D/PST LH	1	EA
6	230041413	PANEL DOOR POCKET AL LH	1	EA
7	<a href="#">210041402</a>	CHANNEL HEADER AL 450256X75 LH	1	EA
8	<a href="#">001741407</a>	REINFORCEMENT A POST AL .125X1.53X8.04 LH	1	EA
9	<a href="#">210041404</a>	STEP NOSE AL 450247X61.29 LH	1	EA
10	47002766	GUIDE NYLON MOULDED LOWER X51.44	1	EA
11	44004060	SEAL BRUSH TYPE C 1.5X82	1	EA
12	44008050	SEAL BRUSH TYPE B 1X83.9	1	EA
13	<a href="#">96741354</a>	COVER DOOR POCKET AL .055X6.75X12.16 LH	1	EA
14	45900001	PLUG WOOD @ RUB RAIL .75X1.12X2.9	1	EA
15	<a href="#">083042400</a>	STIFFENER HEADER AL 450328X74 LH	1	EA
16	96742302	CLIP MOUNTING	1	EA
17	44004104	DOOR SEAL RUBBER X89.25	1	EA



ITEM #	PART #	DESCRIPTION	QTY.	UNIT
1	<a href="#">96741202</a>	TRACK ASSEMBLY UPPER	1	EA
2	<a href="#">45100105</a>	GUSSET AL CASTING LOWER @ DOOR POST RH	1	EA
3	<a href="#">177041403</a>	PANEL HEADER AL .102X19.49X42.36 RH	1	EA
4	<a href="#">157041401</a>	DOOR POST FORWARD AL 450294X102.43 RH	1	EA
5	<a href="#">45100049</a>	GUSSET AL CASTING HEADER CHANNEL TO D/PST RH	1	EA
6	230041414	PANEL DOOR POCKET AL RH	1	EA
7	<a href="#">210041403</a>	CHANNEL HEADER AL 450256X75 RH	1	EA
8	<a href="#">001741408</a>	REINFORCEMENT A POST AL .125X1.53X8.04 RH	1	EA
9	<a href="#">210041405</a>	STEP NOSE AL 450247X61.29 RH	1	EA
10	<a href="#">47002766</a>	GUIDE NYLON DOOR LOWER X51.44	1	EA
11	44004060	SEAL BRUSH TYPE C 1.5X82	1	EA
12	44008050	SEAL BRUSH TYPE B 1X83.9	1	EA
13	<a href="#">96741355</a>	COVER DOOR POCKET AL .055X6.75X12.16 RH	1	EA
14	<a href="#">45900001</a>	PLUG WOOD @ RUB RAIL .75X1.12X2.9	1	EA
15	<a href="#">083042401</a>	STIFFENER HEADER AL 450328X74 RH	1	EA
16	<a href="#">96742302</a>	CLIP MOUNTING	1	EA
17	<a href="#">44004104</a>	DOOR SEAL RUBBER X89.25	1	EA

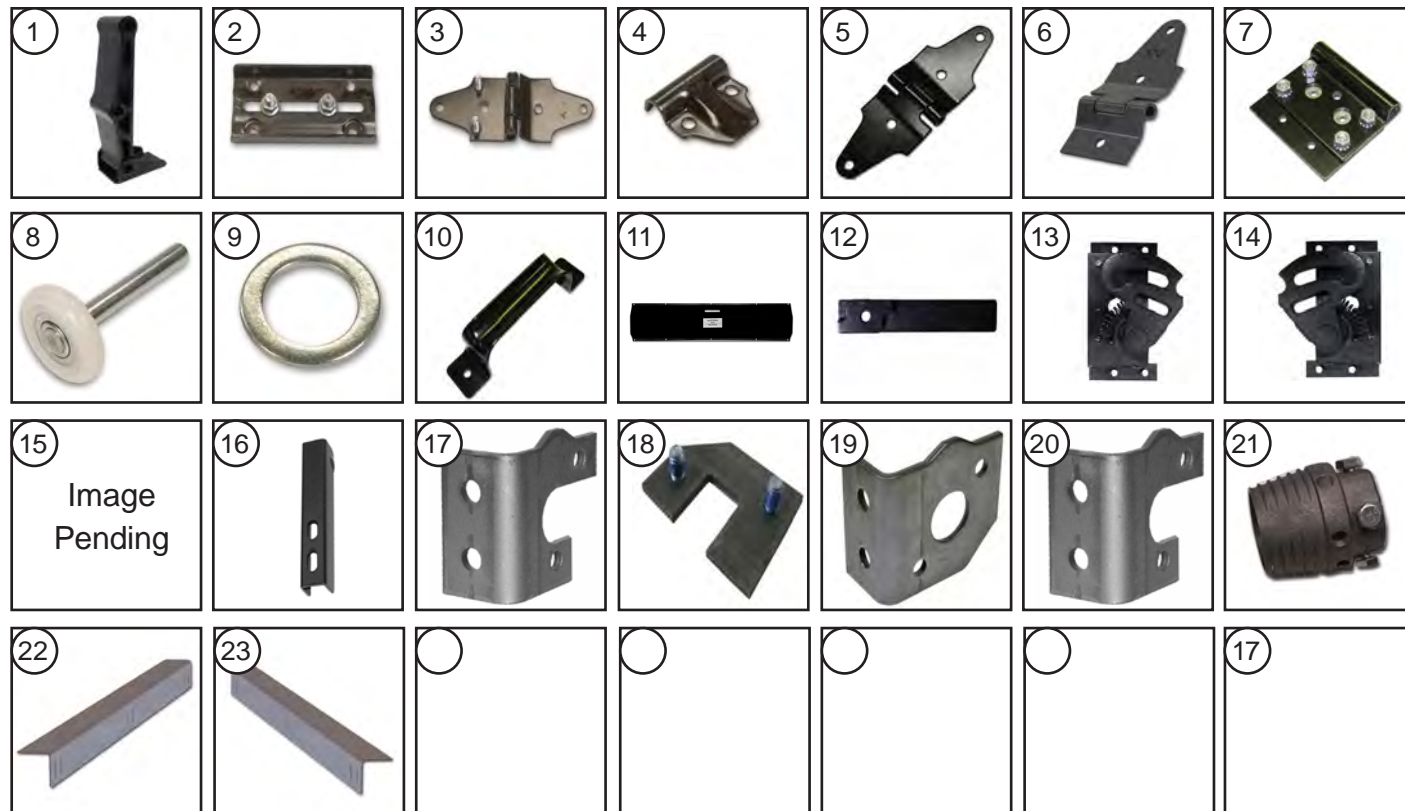




ITEM #	PART #	DESCRIPTION	QTY.	UNIT
1	<a href="#">Call W/ S/N</a>	BRUSH SEAL HEADER 62"	1	EA
1	<a href="#">Call W/ S/N</a>	BRUSH SEAL TOP CLEAR 62"	1	EA
2	<a href="#">Call W/ S/N</a>	BRUSH SEAL SIDE	2	EA
2	<a href="#">Call W/ S/N</a>	BRUSH SEAL SIDE CLEAR	2	EA
3	<a href="#">44004000</a>	BOTTOM SEAL	1	EA
4	<a href="#">47001084</a>	GRAB HANDLE - AL 25" OFFSET 45°	2	EA
5	<a href="#">47001039</a>	L HANDLE NON LOCKING	1	EA
6	<a href="#">47107278</a>	INSIDE RELEASE HANDLE	1	EA
7	<a href="#">47107279</a>	LIFT HANDLE	2	EA
8	<a href="#">47004512</a>	PULL STRAP 19" LONG 8" LOOP	1	EA
9	<a href="#">47107193</a>	RETAINER BRACKET - PULL STRAP	1	EA
10	<a href="#">47107194</a>	SAFETY CHAIN ASSEMBLY	1	EA
11	<a href="#">47001479</a>	SAFETY CABLE VINYL COATED	1	EA
12	<a href="#">617042</a>	CABLE STAINLESS 115" W/ METAL EYE	2	EA
13	<a href="#">613984</a>	CABLE ANCHOR BRACKET	2	EA
14	<a href="#">47106706</a>	CLEVIS PIN 1/4 - 1"	2	EA
15	<a href="#">47003198</a>	COTTER PIN 1/8" - 3/4"	2	EA
16	<a href="#">43000516</a>	PLACARD	1	EA
	<a href="#">Call W/ S/N</a>	PANEL TOP	1	EA
	<a href="#">Call W/ S/N</a>	PANEL INTERMEDIATE	4	EA
	<a href="#">Call W/ S/N</a>	PANEL INTERMEDIATE 13 X 98-1/4"	3	EA
	<a href="#">Call W/ S/N</a>	PANEL - LOCK PANEL	1	EA
	<a href="#">Call W/ S/N</a>	PANEL BOTTOM	1	EA

For parts not listed here, please call with your door serial number.  
800.233.4823 N000217409-0-2-1

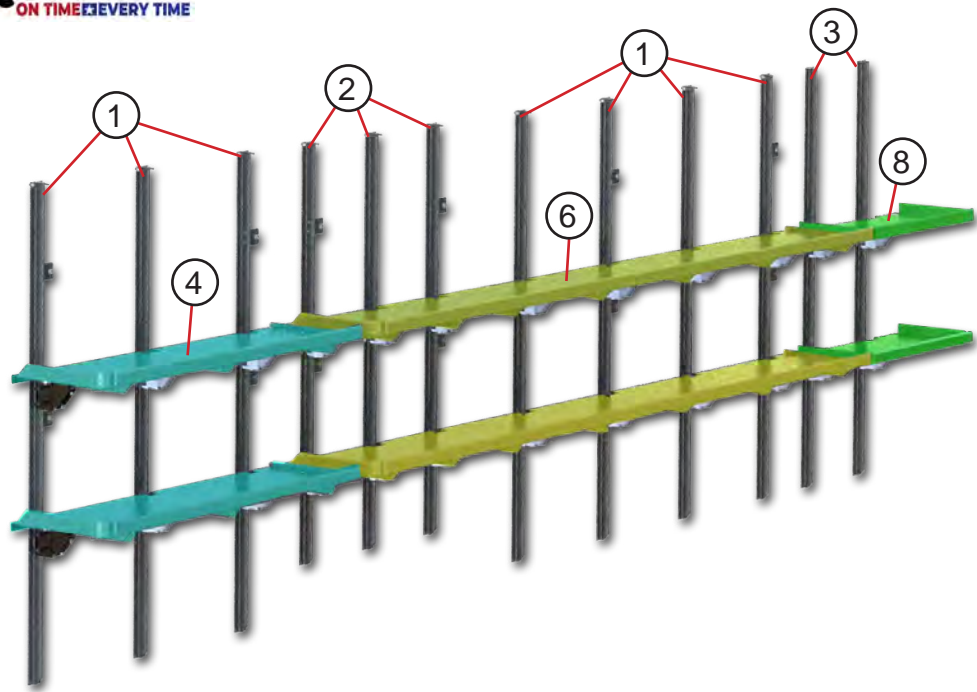




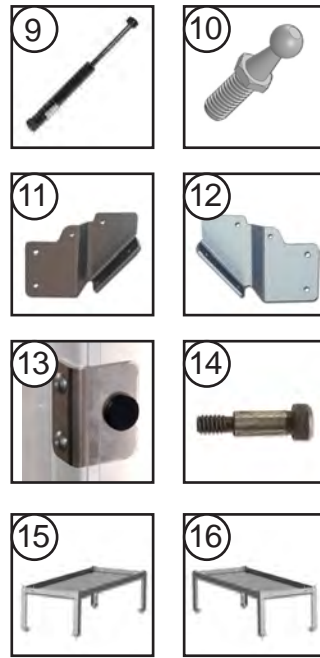
ITEM #	PART #	DESCRIPTION	QTY.	UNIT
1	<a href="#">47107297</a>	TOP CLOSURE ROLLER EXTENSION	2	EA
2	<a href="#">61744</a>	TOP CLOSURE BASE ONLY	2	EA
3	<a href="#">61742</a>	ROLLER HINGE W/ STUDS LIGHT DUTY	12	EA
4	<a href="#">61743</a>	COVER - ROLLER HINGE	12	EA
5	<a href="#">617121</a>	CENTER HINGE LIGHT DUTY	8	EA
6	<a href="#">47107291</a>	CENTER HINGE - SHORT LIGHT DUTY	4	EA
7	<a href="#">47004522</a>	BOTTOM FIXTURE ASSEMBLY	2	EA
8	<a href="#">47107288</a>	ROLLER 2" NYLON 6" STEM	18	EA
9	<a href="#">47106718</a>	ROLLER SPACER WASHER	24	EA
10	47107279	LIFT HANDLE - BLACK - INNER	2	EA
11	Call W/ S/N	CABLE COVER AL	1	EA
12	47107278	INSIDE RELEASE HANDLE	1	EA
13	<a href="#">47003169</a>	END LATCH ROADSIDE	1	EA
14	<a href="#">47003170</a>	END LATCH CURBSIDE	1	EA
15	<a href="#">47107298</a>	LOCK ASSEMBLY	1	EA
16	<a href="#">47003172</a>	PLATE LATCH STRIKER ASSEMBLY	1	EA
17	<a href="#">47003188</a>	BALANCER BRACKET CENTER	1	EA
18	<a href="#">47003189</a>	BALANCER BRACKET CLAMP	1	EA
19	<a href="#">47003186</a>	BALANCER BRACKET ROADSIDE	1	EA
20	<a href="#">47003187</a>	BALANCER BRACKET CURBSIDE	1	EA
21	<a href="#">47001442</a>	WINDING CONE W/ SCREWS	2	EA
22	247130401	MOUNTING ANGLE TRACK HORIZONTAL ROADSIDE	1	EA
23	247130402	MOUNTING ANGLE TRACK HORIZONTAL CURBSIDE	1	EA

For parts not listed here, please call with your door serial number.  
800.233.4823 N000217409-0-2-1

## Shelving

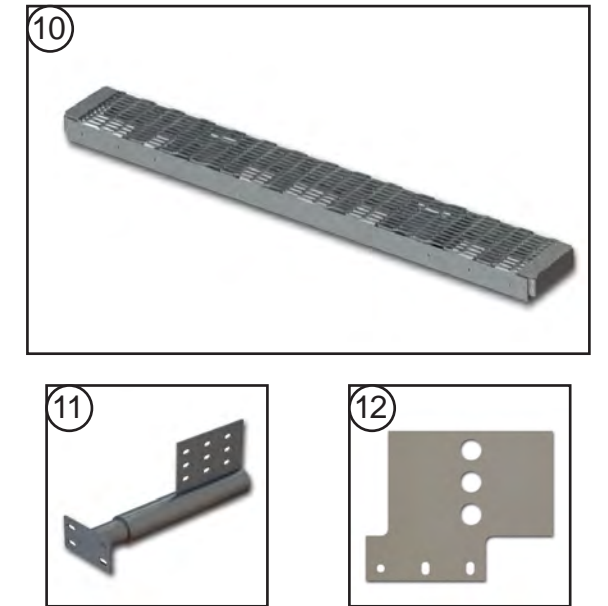
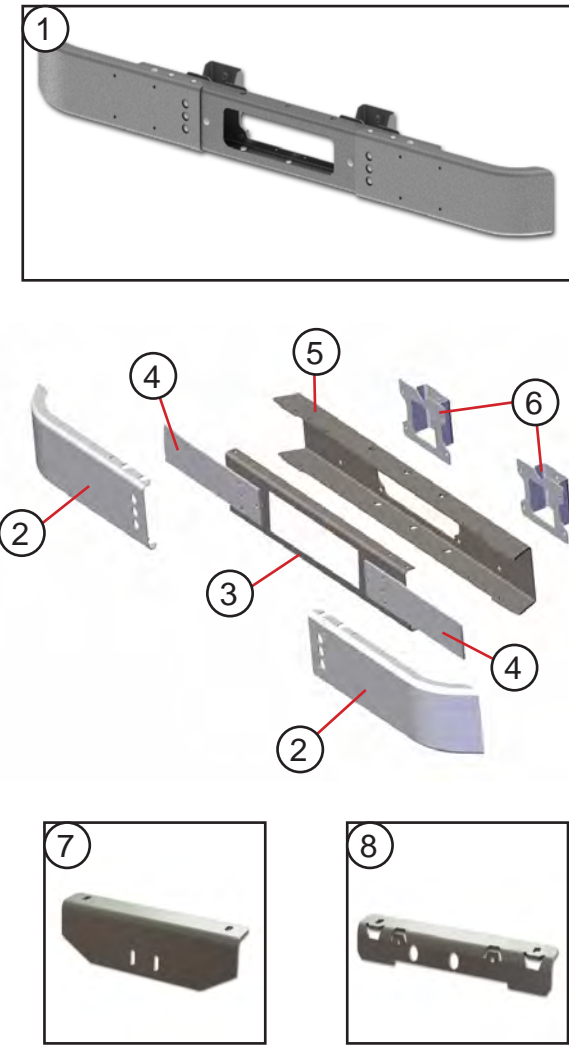


Roadside Shown - Curbside is Mirrored



ITEM #	PART #	DESCRIPTION	QTY.	UNIT
1	240048400	STANCHION AL X77.94"	18	EA
2	240048401	STANCHION AL @ WHEEL BOX X69.54"	6	EA
3	230048407	STANCHION AL @ DOOR POCKET X58"	4	EA
4	<a href="#">247106200</a>	SHELF ASSEMBLY FOLDING REAR LH	2	EA
NS	<a href="#">247106201</a>	SHELF ASSEMBLY FOLDING REAR RH	2	EA
6	<a href="#">237106200</a>	SHELF ASSEMBLY FOLDING CENTER LH	2	EA
NS	<a href="#">237106201</a>	SHELF ASSEMBLY FOLDING CENTER RH	2	EA
8	237105200	SHELF ASSEMBLY FOLDING @ DOOR POCKET LH/RH	4	EA
9	<a href="#">126106426</a>	GAS SPRING	24	EA
10	<a href="#">126106427</a>	BALL STUD	48	EA
11	<a href="#">190105411</a>	BRACKET SHELF RH	48	EA
12	<a href="#">190105412</a>	BRACKET SHELF LH	48	EA
13	<a href="#">150106202</a>	RUBBER BUMPER KIT	24	EA
14	<a href="#">47006191</a>	SHOULDER BOLT	48	EA
15-16	247126200	TRAYS @ WHEEL BOX (1-EA LH/RH TRAY ASSEMBLIES)	1	EA

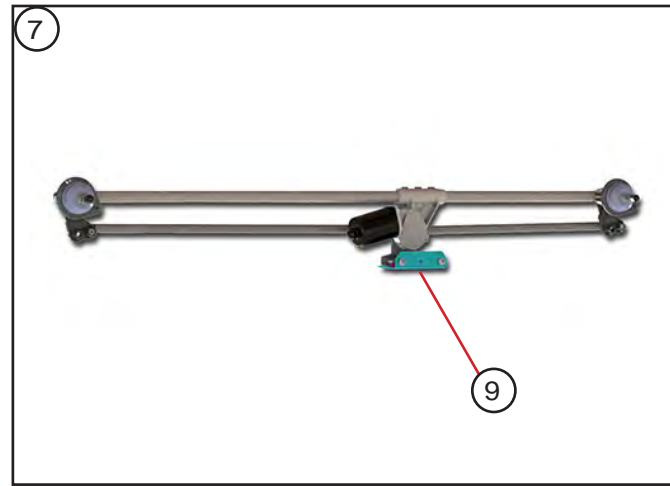
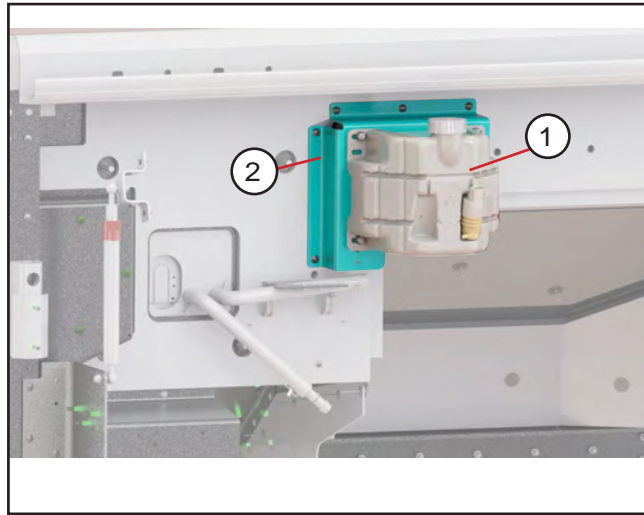
## Bumpers



ITEM #	PART #	DESCRIPTION	QTY.	EA
1	<a href="#">205008001</a>	FRONT BUMPER INSTALLATION 93W F-59	1	EA
2	<a href="#">155008203</a>	OUTER BUMPER CHANNEL ASSEMBLY	2	EA
3	<a href="#">167008402</a>	CHANNEL BUMPER FRONT STEEL 7GA	1	EA
4	<a href="#">155008417</a>	BUMPER LEAF SPRING STEEL .375X5X22	2	EA
5	<a href="#">167008401</a>	CHANNEL BUMPER REAR STEEL .25X14.91X55.09	1	EA
6	<a href="#">167008202</a>	BRACKET BUMPER MOUNT LH/RH	2	EA
7	<a href="#">210007401</a>	CADS BRACKET UPPER AL	1	EA
8	<a href="#">210007400</a>	CADS BRACKET LOWER AL	1	EA
10	<a href="#">47004280</a>	BUMPER REAR 10" 93W	1	EA
11	<a href="#">003057200</a>	MOUNT BUMPER SHOCK LH/RH	2	EA
12	227007406	HANGER PLATE STEEL	2	EA

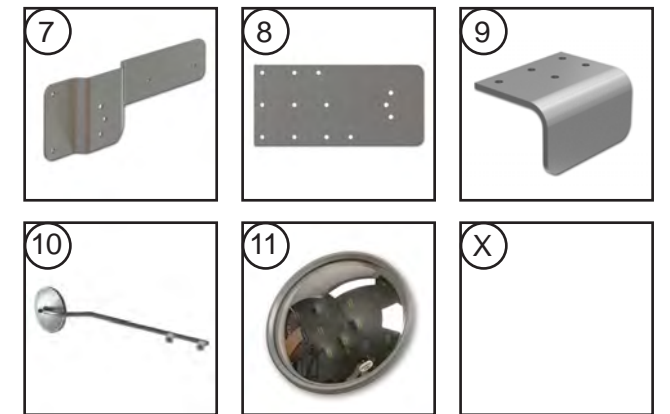
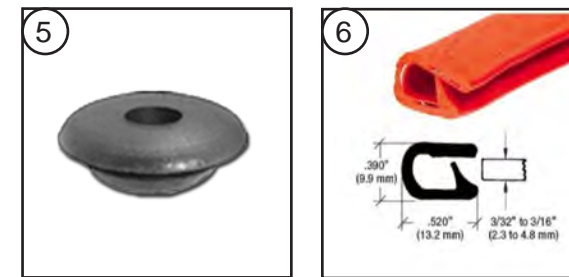
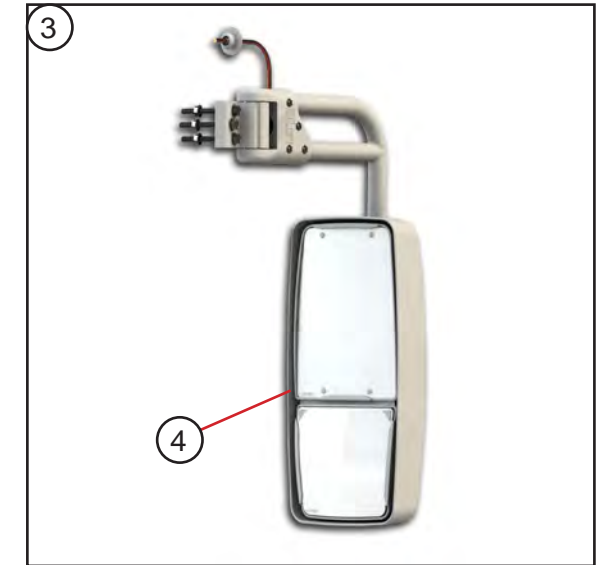
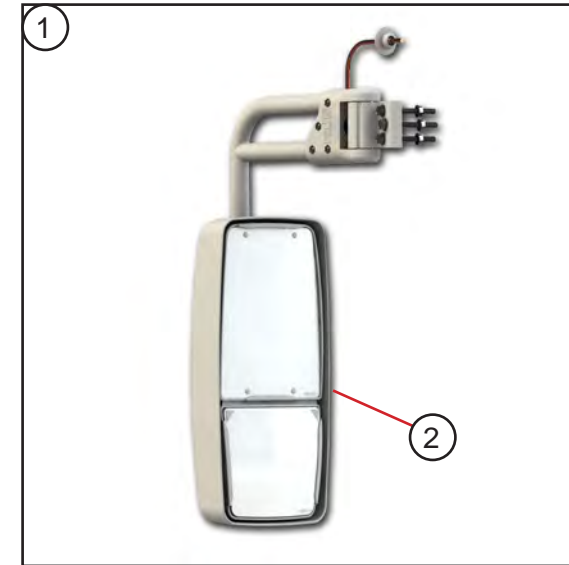


## WIPERS



ITEM #	PART #	DESCRIPTION	QTY.	UNIT
1	<a href="#">47004507</a>	WINDSHIELD WASHER RESERVOIR W/PUMP	1	EA
2	<a href="#">210063400</a>	BRACKET WINDSHIELD RESERVOIR	1	EA
3	<a href="#">47004205</a>	WIPER ARM - WET 20"	2	EA
4	<a href="#">47004134</a>	WIPER BLADE 24"	2	EA
5	<a href="#">1101694</a>	TEE WINDSHIELD WASHER	1	EA
6	<a href="#">1107122</a>	HOSE WINDSHIELD WASHER	12	FT
7	<a href="#">47004229</a>	WIPER SYSTEM TUBULAR 2 PIVOT 86/88W	1	EA
NS	<a href="#">N/A</a>	MOTOR (NON SERVICEABLE)	1	EA
9	<a href="#">220055408</a>	BRACKET WIPER MOTOR	1	EA
10	<a href="#">46021115</a>	CLIP BODY LARGE PAN	1	EA
11	<a href="#">47004271</a>	WET KIT FOR WIPER ARM (SPRAY NOZZLE & HOSE)	2	EA
12	<a href="#">47004272</a>	RETAINING CLIP HOSE	2	EA

## MIRRORS

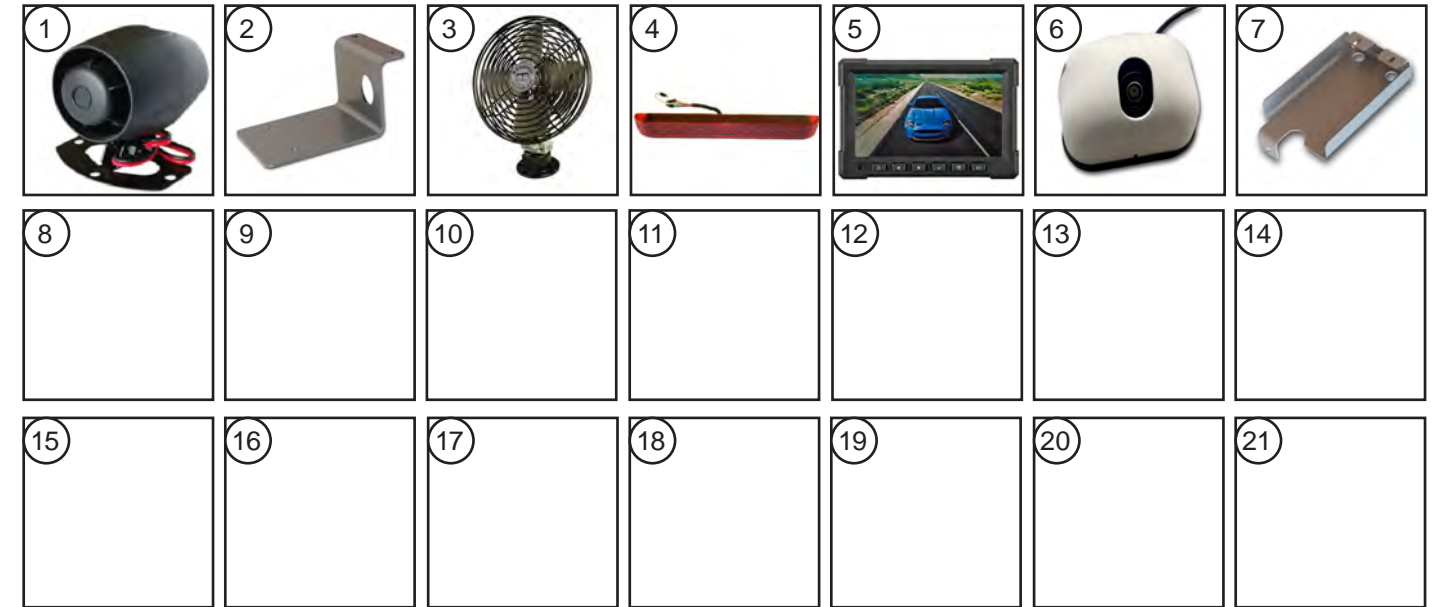


ITEM #	PART #	DESCRIPTION	QTY	UNIT
1	<a href="#">47006373</a>	MIRROR ASSEMBLY LH BLACK HEATED	1	EA
2	<a href="#">47107197</a>	MIRROR HEAD ONLY - LH	-	EA
3	<a href="#">47006374</a>	MIRROR ASSEMBLY RH BLACK HEATED	1	EA
4	<a href="#">47107198</a>	MIRROR HEAD ONLY - RH	-	EA
5	<a href="#">11007087</a>	GROMMET .313X.063X.188	4	EA
6	<a href="#">44009079</a>	TRIM QUICK EDGE ORANGE	7.82	FT
7	<a href="#">198142400</a>	BRACKET - MIRROR MOUNT LH	1	EA
8	<a href="#">158142403</a>	BRACKET - MIRROR MOUNT RH	1	EA
9	<a href="#">158142404</a>	BRACKET - MIRROR RH	1	EA
10	<a href="#">47005099</a>	MIRROR FRONT SIDE VIEW 10"	1	EA
11	<a href="#">81600095</a>	MIRROR HEAD ONLY CONVEX 10.75"	1	EA





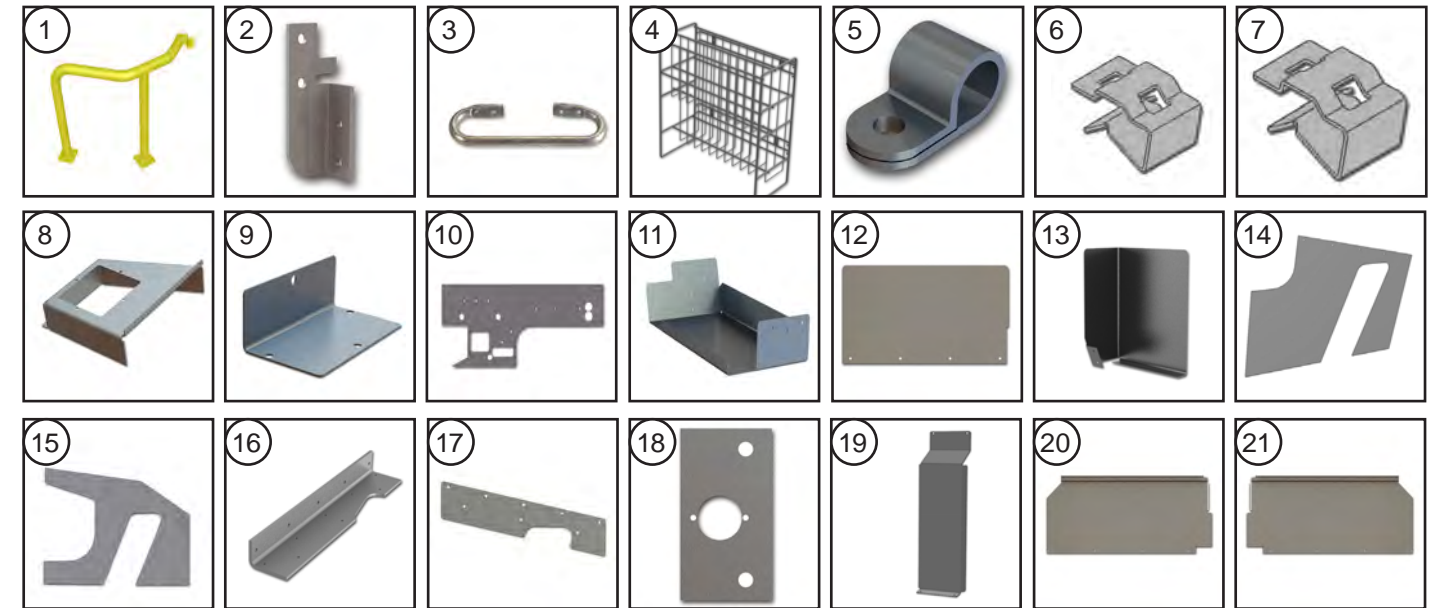
ITEM #	PART #	DESCRIPTION	QTY.	UNIT
1	<a href="#">46000210</a>	HEADLAMP BASKET ASSEMBLY	2	EA
2	<a href="#">46000208</a>	HEADLAMP LED	2	EA
3	<a href="#">46001388</a>	LAMP CLEARANCE MARKER RED LED PC	7	EA
4	<a href="#">46001382</a>	LAMP CLEARANCE MARKER AMBER LED PC P2	2	EA
4	<a href="#">46001339</a>	LAMP CLEARANCE MARKER AMBER LED PC	4	EA
4	<a href="#">46001395</a>	LAMP CLEARANCE MARKER AMBER LED PC	6	EA
4	<a href="#">46001391</a>	LAMP CLEARANCE MARKER CENTER AMBER LED PC	1	EA
5	<a href="#">46001440</a>	LAMP BACK UP LED	2	EA
6	<a href="#">46002222</a>	LAMP REAR COMB TAIL/TURN LED	4	EA
7	<a href="#">46004402</a>	GROMMET ROUND BLACK 4IN LAMP	6	EA
8	46002224	LAMP DOME 1-CAB / 3-CARGO	4	EA
9	<a href="#">46000615</a>	LAMP PARK TURN LED FRONT	2	EA
10	<a href="#">46004403</a>	GROMMET OBLONG	2	EA
11	<a href="#">47009642</a>	LAMP LED CLEAR LICENSE PLATE	2	EA
12	<a href="#">46023532</a>	SWITCH ROCKER DOME LAMP CAB SPST ON-OFF	1	EA
13	<a href="#">46023541</a>	SWITCH ROCKER DOME LAMP CARGO SPDT ON-OFF	1	EA
14	<a href="#">46029062</a>	SWITCH ROCKER AUX HEATER SPDT ON-OFF-ON	1	EA
15	<a href="#">46029061</a>	SWITCH ROCKER DASH FAN	1	EA
16	<a href="#">46023511</a>	SWITCH ROCKER DOOR UNLOCK	1	EA
17	<a href="#">46023544</a>	SWITCH ROCKER PASSENGER DOOR UNLOCK	1	EA
18	<a href="#">46023543</a>	SWITCH ROCKER DRIVER DOOR UNLOCK	1	EA
19	<a href="#">46025305</a>	SWITCH MAGNETIC OPEN LOOP	1	EA
19	<a href="#">46025313</a>	SWITCH MAGNETIC OPEN LOOP	1	EA
20	<a href="#">207094400</a>	BRACKET - MAGNETIC SWITCH	1	EA
21	<a href="#">207094401</a>	BRACKET - MAGNETIC SWITCH	1	EA



ITEM #	PART #	DESCRIPTION	QTY.	UNIT
1	46029081	SIREN 6-TONE 12V 25W 108dB	1	EA
2	247085400	PLATE MOUNTING - SIREN AL .102X3.5X7.48	1	EA
3	<a href="#">46030014</a>	FAN 2 SPEED 270 CFM	1	EA
4	<a href="#">46001905</a>	LAMP - CENTER HIGH MOUNT	1	EA
5	<a href="#">48200266</a>	MONITOR 7"	1	EA
6	<a href="#">48200343</a>	CAMERA - FRONT, REAR & SIDES	4	EA
7	207026400	GUARD BRACKET - MID CAMERAS	2	EA

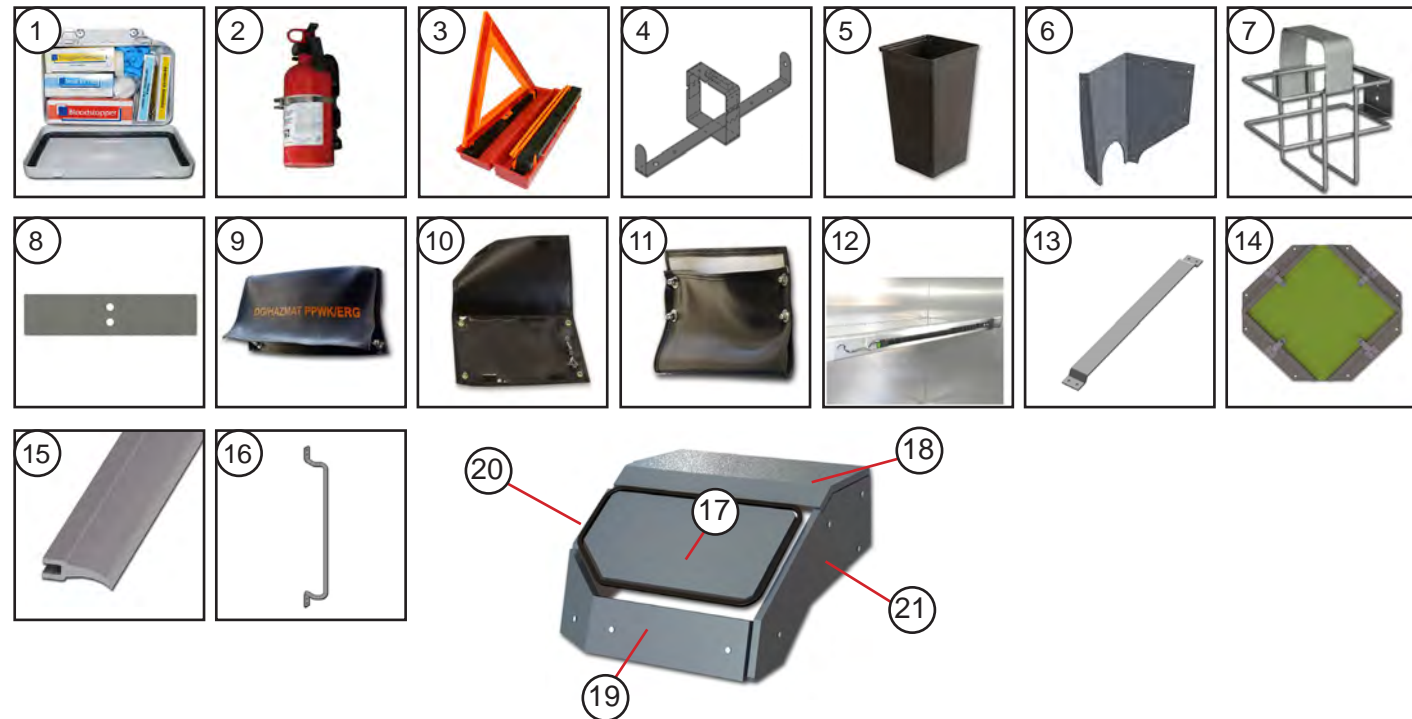


ITEM #	PART #	DESCRIPTION	QTY.	UNIT
1	<a href="#">46025017</a>	REFLECTOR RED	4	EA
2	<a href="#">46025018</a>	REFLECTOR AMBER	2	EA
3	<a href="#">102084499</a>	BRACKET FUSE BOX AL .102X4X12.78	1	EA
4	<a href="#">173092401</a>	COVER FUSE BOX AL .102X4X4.13	1	EA
5	1107109	GROMMET 0.375X0.125X.0625	2	EA
6	<a href="#">1107324</a>	GROMMET .625X.25X.875	1	EA
7	44000052	GROMMET 1X.125X1.3125	2	EA
8	<a href="#">47005504</a>	SUN VISOR	2	EA
9	<a href="#">237300400</a>	LABEL FUSE BLOCK LH	1	EA
10	<a href="#">237300401</a>	LABEL FUSE BLOCK RH	1	EA
11	<a href="#">47009653</a>	CENTER CONSOLE	1	EA
12	47000688	HANDLE SIDE DOOR NON LOCKING PADDLE TYPE	2	EA
13	<a href="#">47009706</a>	SUPPORT MUD FLAPS	1	PR
14	<a href="#">1107308</a>	MUD FLAP 20X24 NO LOGO	1	PR
15	<a href="#">7504428</a>	RETAINER BRACKET - MUD FLAPS	2	EA
16	<a href="#">80795014</a>	ANGLE - RETAINER	2	EA
17	<a href="#">47008558</a>	AUXILIARY HEATER	1	EA
18	247080401	BRACKET - AUX HEATER AL	1	EA
19	<a href="#">82093014</a>	BRACKET UPRIGHT - SPARE TIRE	1	EA
20	<a href="#">1113047</a>	HANDLE - SPARE TIRE	1	EA
21	<a href="#">168127402</a>	CLAMP - SPARE TIRE STEEL .25 X 12 X 8.04	1	EA
NS	<a href="#">7900920</a>	THREADED ROD .5-13 X 4.5" STEEL	1	EA

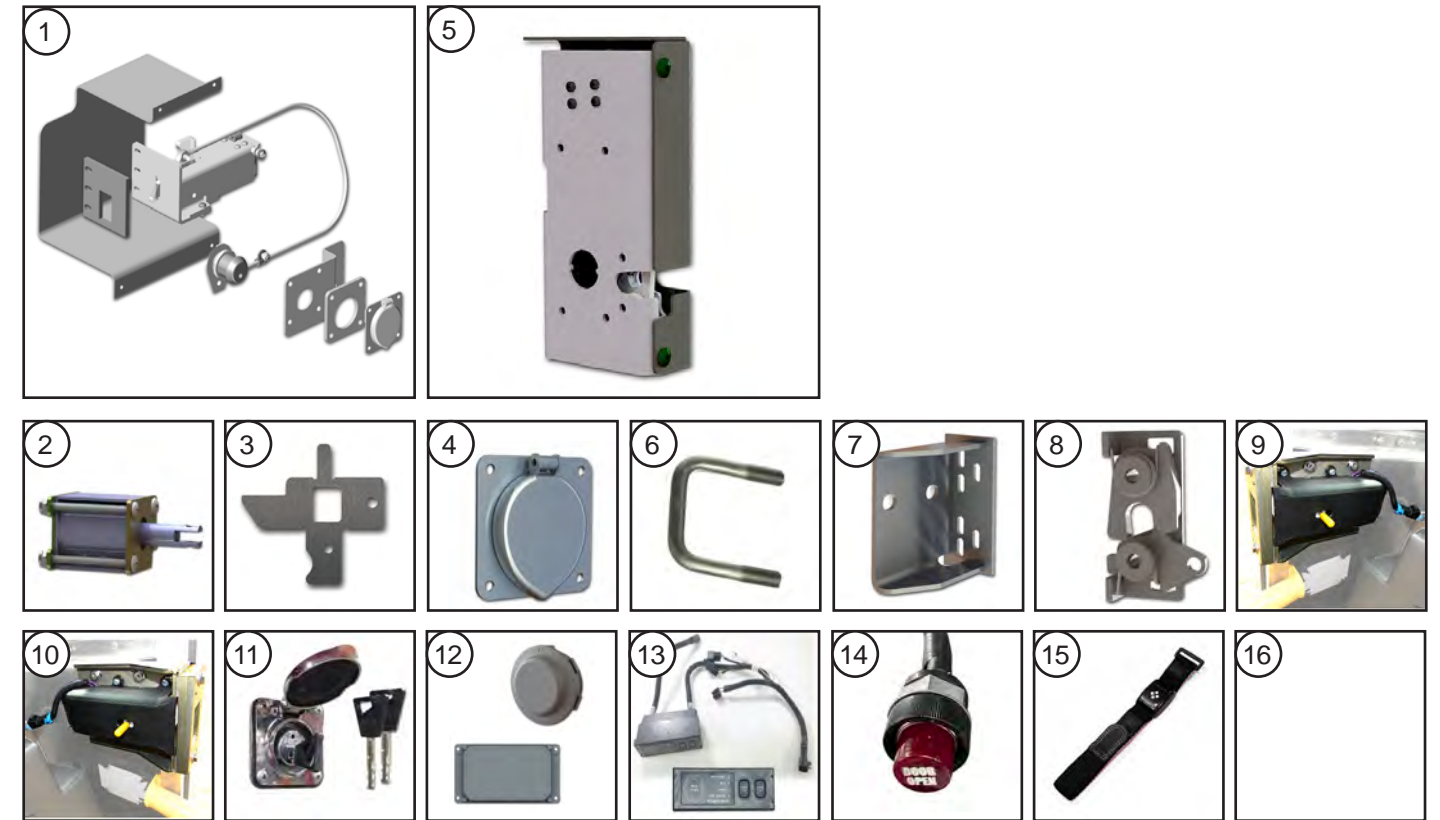


ITEM #	PART #	DESCRIPTION	QTY.	UNIT
1	<a href="#">47001070</a>	GRAB RAIL - ENTRY POWERCOAT YELLOW	1	EA
2	<a href="#">217005413</a>	ANGLE ATTACH - GRAB RAIL	1	EA
3	<a href="#">90187301</a>	GRAB HANDLE AL .5DIA 5X10	1	EA
4	<a href="#">47009599</a>	BASKET ORGANIZER	1	EA
5	<a href="#">46021104</a>	CLASP	1	EA
6	<a href="#">46021114</a>	CLIP BODY MED	2	EA
7	46021115	CLIP BODY LARGE	2	EA
8	<a href="#">217005438</a>	BRACKET FRESH AIR INTAKE AL	1	EA
9	<a href="#">217005439</a>	COVER PLATE - AIR INTAKE AL	1	EA
10	<a href="#">227116401</a>	INSULATION DASH WALL	1	EA
11	245024402	COVER BATTERY BOX AL	1	EA
12	<a href="#">248024407</a>	SPLASH SHIELD BATTERY AL	1	EA
13	245024403	BRACKET GUARD - BATTERY AL	1	EA
14	<a href="#">118026407</a>	SHIELD VINYL LH	1	EA
15	<a href="#">118026408</a>	SHIELD VINYL RH	1	EA
16	<a href="#">248026400</a>	ANGLE BRACKET GUARD AL1100482X17	1	EA
17	<a href="#">248026401</a>	PLATE SUPPORT GUARD AL.102X3.43X17.93	1	EA
18	<a href="#">240111400</a>	PLATE MOUNTING HEATER	1	EA
19	<a href="#">177080400</a>	GUARD BRACKET HEATER AL	1	EA
20	240019401	PANEL LINER LH (ABOVE WINDOW) AL	1	EA
21	240019402	PANEL LINER RH (ABOVE WINDOW) AL	1	EA
NS	<a href="#">470019401</a>	CARPET GREY - LINER (ABOVE WINDOWS)	4	FT





ITEM #	PART #	DESCRIPTION	QTY.	UNIT
1	<a href="#">47009574</a>	FIRST AID KIT	1	EA
2	<a href="#">47009657</a>	FIRE EXTINGUISHER 2.5 LB	1	EA
3	<a href="#">47009547</a>	TRIANGLE KIT	1	EA
4	<a href="#">47009548</a>	BRACKET FOR TRIANGLE KIT	1	EA
5	<a href="#">45200051</a>	TRASH RECEPTICLE	1	EA
6	<a href="#">077240433</a>	BRACKET FOR TRASH RECEPTICLE AL	1	EA
7	<a href="#">47009598</a>	BASKET - PRINTER	1	EA
8	197127400	CAB BASKET CNSL AL	1	EA
9	<a href="#">47009199</a>	POUCH - VINYL HAZMAT	1	EA
10	<a href="#">47009240</a>	POUCH - DRIVER INFO	1	EA
11	<a href="#">47009241</a>	POUCH - REGISTRATION VINYL OPEN TOP	1	EA
12	<a href="#">47006146</a>	STRAP HAND CART	1	EA
13	<a href="#">165127401</a>	CATCH HAND CART	1	EA
14	<a href="#">43000515</a>	PLACARD FLIP - SPT	1	EA
14	43000514	PLACARD FLIP - SOL	3	EA
15	<a href="#">44004002</a>	TRIM - DRIP RAIL	7.75	FT
16	47001084	GRAB HANDLE OFFSET	4	EA
17	<a href="#">188028404</a>	INSULATION ENGINE BOX LID 13.88X27.63	1	EA
18	<a href="#">188028405</a>	INSULATION ENGINE BOX TOP 13.89X32.42	1	EA
19	<a href="#">188028406</a>	INSULATION ENGINE BOX FRT 12.23X31.3	1	EA
20	<a href="#">188028407</a>	INSULATION ENGINE BOX SI 17.38X25.3 LH	1	EA
21	<a href="#">188028408</a>	INSULATION ENGINE BOX SI 17.54X29.8 RH	1	EA



ITEM #	PART #	DESCRIPTION	QTY.	UNIT
1	<a href="#">217147201</a>	KEYLESS LOCK ASSEMBLY @ REAR DOOR	1	EA
2	<a href="#">137147400</a>	SOLENOID OPEN FRAME PULL TYPE	1	EA
3	137147403	STRIKER STEEL	1	EA
4	<a href="#">136060401</a>	RECEPTICAL W/ DUST COVER	1	EA
5	<a href="#">237147200</a>	KEYLESS LOCK ASSEMBLY @ BULKHEAD DOOR	1	EA
6	<a href="#">40300937</a>	U-BOLT	1	EA
7	<a href="#">237147204</a>	STRIKER BRACKET - BULKHEAD DOOR	1	EA
8	<a href="#">45700205</a>	LATCH ROTARY	1	EA
9	46029041	KEYLESS LOCK ASSEMBLY LH	1	EA
10	46029042	KEYLESS LOCK ASSEMBLY RH	1	EA
11	<a href="#">47000993</a>	ABLOY LOCK CYLINDER W/ 2 KEYS	3	EA
12	<a href="#">46029077</a>	KEYLESS RFID KIT (ANTENNA / READER / WRIST BANDS X3)	1	EA
13	<a href="#">46029079</a>	MODULE - KEYLESS START	1	EA
14	<a href="#">120081201</a>	LAMP - DOOR OPEN ASSEMBLY (LAMP ONLY 46003020)	1	EA
15	<a href="#">46029021</a>	REPLACEMENT WRIST BAND (SINGLE)	-	EA
16				EA

Page #	Part #	DESCRIPTION	QTY	UNIT
37	<a href="#">007381203</a>	WIRING HARNESS MID BODY MARKER	1	EA
38	46029075	WIRING HARNESS JUMPER KEYLESS	1	EA
39	<a href="#">082091200</a>	WIRING HARNESS POWER OPTION FROM BATTERY	1	EA
40	<a href="#">88117437</a>	WIRING HARNESS JUMPER TEE	1	EA
41	<a href="#">130092204</a>	WIRING HARNESS LICENSE BOX SILL LED	1	EA
42	<a href="#">140088200</a>	WIRING HARNESS JUMPER Y X48"	2	EA
43	185080200	WIRING HARNESS A/C LOW PRESSURE SWITCH	1	EA
44	<a href="#">185085200</a>	WIRING HARNESS HOOD F59 W/HORN	1	EA
45	<a href="#">222079200</a>	WIRING HARNESS BLIND SPOT TURN TRIGGER	1	EA
46	<a href="#">230092201</a>	WIRING HARNESS AUX LOAD	1	EA
47-49	<a href="#">237086201</a>	WIRING HARNESS REAR LAMP BACK PANEL W/ KYLS	1	EA
50	237091200	WIRING HARNESS ROOF/NOSE 360	1	EA
51	237093200	WIRING HARNESS ROOF W/ KYLS 17-20FT6IN	1	EA
52-57	247084200	WIRING HARNESS I/P RFID KEYLESS F59	1	EA
58	<a href="#">247092200</a>	WIRING HARNESS TURN TRIGGER	1	EA
59	<a href="#">46010602</a>	CABLE POWER/TRIGGER 7" MON	1	EA
60	<a href="#">48200011</a>	CABLE CAMERA X4'	1	EA
60	<a href="#">48200092</a>	CABLE CAMERA X34'	1	EA
60	<a href="#">48200137</a>	CABLE CAMERA X15'	1	EA
60	<a href="#">48200183</a>	CABLE CAMERA X3'	1	EA

DRAWING NO.	007381203
REV.	
DESCRIPTION	
DATE	
BY	
CHK.	
REL. DATE	
REL. BY	
REL. DATE	

CIRCUIT GAUGE	COLOR	END POINTS	FUNCTION
000	16 WHT	A1, A2, B1, B2	GROUND
001	16 BRN	A1, A2, B1, B2	SIDE MARKER LAMPS

.180 BLT 16 WHT GROUND  
 .180 BLT 16 BRN BODY MKR  
 .180 BLT 16 WHT GROUND  
 .180 BLT 16 BRN BODY MKR  
 .180 BLT 16 WHT GROUND  
 .180 BLT 16 BRN BODY MKR  
 .180 BLT 16 WHT GROUND  
 .180 BLT 16 BRN BODY MKR

**HARNES AND LOOM TOLERANCES**  
 LP TO 60" : -0/+2"  
 60" TO 100" : -0/+4"  
 100" TO 200" : -0/+5"  
 200" TO 400" : -0/+8"  
 400" TO 600" : -0/+7"  
 OVER 600" : -0/+8"

**TOLERANCE IS NOT ACCUMULATIVE APPLIES TO OVERALL HARNESS LENGTH, BREAKOUT TO END, OR LOOM.**

9. VENDOR MAY REPLACE PIGTAILS WITH WIRING TO TERMINALS OR CONNECTORS SHOWN IN TERMINAL VIEW.

7. HARNESS TO BE TESTED FOR HARNESS OPEN, SHORTS, AND CONTINUITY.

6. CONNECTORS SHOWN FROM OTHER SIDE, UNLESS OTHERWISE NOTED.

5. SPLICES TO BE AUTOMATED. SPLIT POLY LOOM SPLICERS HEAT SHRINK BUTT SPLICES ARE ACCEPTABLE FOR M-O FABRICATION IF NECESSARY.

4. TAPE [LILLOBS] - 6" AT BREAKOUTS AND 2" AT LOOM ENDS.

3. HARNESS TO HAVE A LABEL WITH MORGAN OLSON PART NUMBER, REVISION LEVEL, AND DATE OF MANUFACTURE.

2. SPLIT POLY LOOM UNLESS OTHERWISE NOTED.

1. GAL WIRE.

NOTES:

**PROPRIETARY**

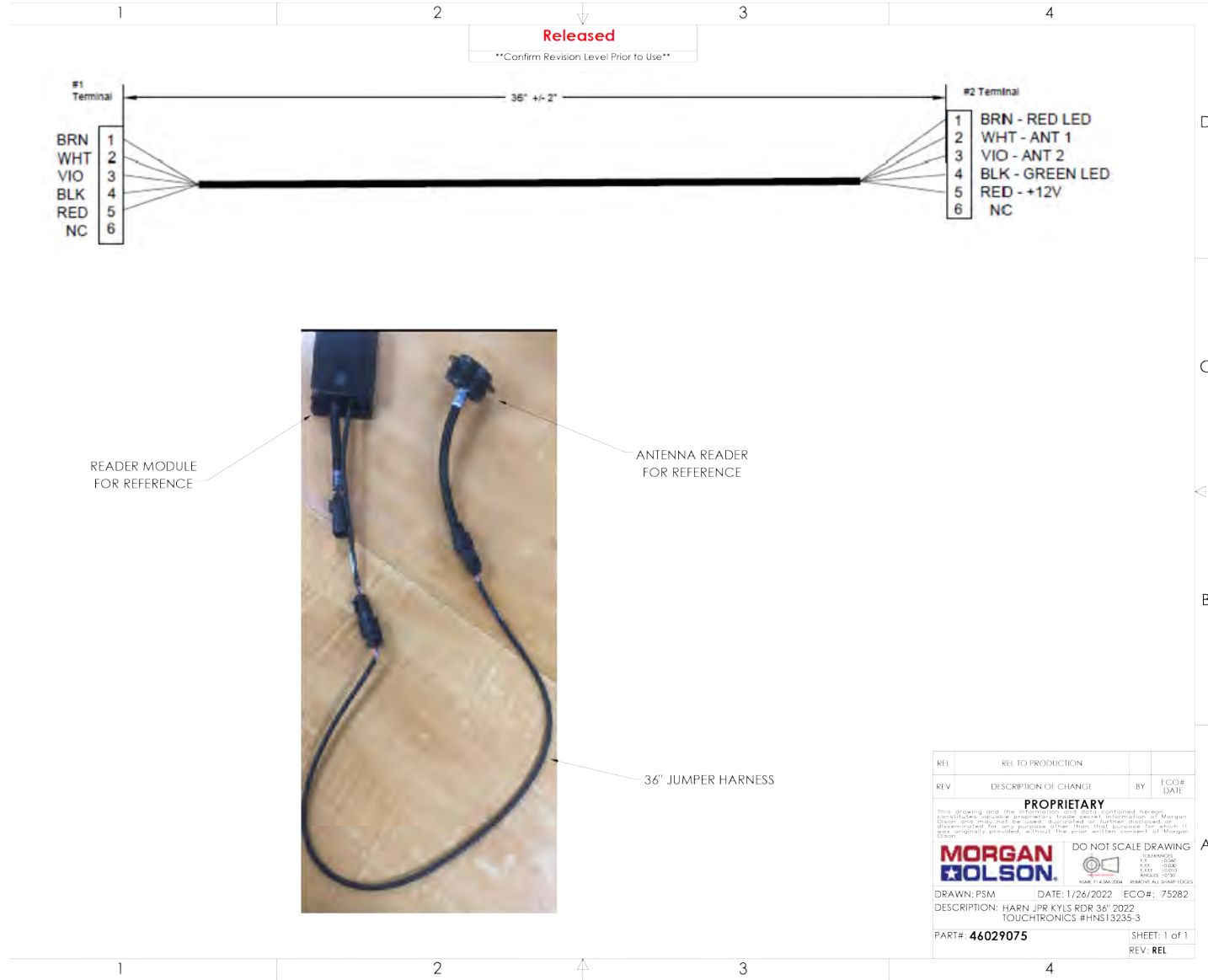
THIS HARNESS IS FOR THE EXCLUSIVE USE OF MORGAN OLSON. IT IS THE PROPERTY OF MORGAN OLSON. IT IS TO BE USED ONLY ON MORGAN OLSON EQUIPMENT. IT IS NOT TO BE REPRODUCED, COPIED, OR TRANSMITTED IN ANY FORM OR BY ANY MEANS, ELECTRONIC OR MECHANICAL, INCLUDING PHOTOCOPYING, RECORDING, OR BY ANY INFORMATION STORAGE AND RETRIEVAL SYSTEM.

**MORGAN OLSON**

GENERAL STANDARDS TABLES REFER TO: 1. WIRING: 1, 2, 3, 4, 5, 6, 7, 8, 9, 10, 11, 12, 13, 14, 15, 16, 17, 18, 19, 20, 21, 22, 23, 24, 25, 26, 27, 28, 29, 30, 31, 32, 33, 34, 35, 36, 37, 38, 39, 40, 41, 42, 43, 44, 45, 46, 47, 48, 49, 50, 51, 52, 53, 54, 55, 56, 57, 58, 59, 60, 61, 62, 63, 64, 65, 66, 67, 68, 69, 70, 71, 72, 73, 74, 75, 76, 77, 78, 79, 80, 81, 82, 83, 84, 85, 86, 87, 88, 89, 90, 91, 92, 93, 94, 95, 96, 97, 98, 99, 100, 101, 102, 103, 104, 105, 106, 107, 108, 109, 110, 111, 112, 113, 114, 115, 116, 117, 118, 119, 120, 121, 122, 123, 124, 125, 126, 127, 128, 129, 130, 131, 132, 133, 134, 135, 136, 137, 138, 139, 140, 141, 142, 143, 144, 145, 146, 147, 148, 149, 150, 151, 152, 153, 154, 155, 156, 157, 158, 159, 160, 161, 162, 163, 164, 165, 166, 167, 168, 169, 170, 171, 172, 173, 174, 175, 176, 177, 178, 179, 180, 181, 182, 183, 184, 185, 186, 187, 188, 189, 190, 191, 192, 193, 194, 195, 196, 197, 198, 199, 200, 201, 202, 203, 204, 205, 206, 207, 208, 209, 210, 211, 212, 213, 214, 215, 216, 217, 218, 219, 220, 221, 222, 223, 224, 225, 226, 227, 228, 229, 230, 231, 232, 233, 234, 235, 236, 237, 238, 239, 240, 241, 242, 243, 244, 245, 246, 247, 248, 249, 250, 251, 252, 253, 254, 255, 256, 257, 258, 259, 260, 261, 262, 263, 264, 265, 266, 267, 268, 269, 270, 271, 272, 273, 274, 275, 276, 277, 278, 279, 280, 281, 282, 283, 284, 285, 286, 287, 288, 289, 290, 291, 292, 293, 294, 295, 296, 297, 298, 299, 300, 301, 302, 303, 304, 305, 306, 307, 308, 309, 310, 311, 312, 313, 314, 315, 316, 317, 318, 319, 320, 321, 322, 323, 324, 325, 326, 327, 328, 329, 330, 331, 332, 333, 334, 335, 336, 337, 338, 339, 340, 341, 342, 343, 344, 345, 346, 347, 348, 349, 350, 351, 352, 353, 354, 355, 356, 357, 358, 359, 360, 361, 362, 363, 364, 365, 366, 367, 368, 369, 370, 371, 372, 373, 374, 375, 376, 377, 378, 379, 380, 381, 382, 383, 384, 385, 386, 387, 388, 389, 390, 391, 392, 393, 394, 395, 396, 397, 398, 399, 400, 401, 402, 403, 404, 405, 406, 407, 408, 409, 410, 411, 412, 413, 414, 415, 416, 417, 418, 419, 420, 421, 422, 423, 424, 425, 426, 427, 428, 429, 430, 431, 432, 433, 434, 435, 436, 437, 438, 439, 440, 441, 442, 443, 444, 445, 446, 447, 448, 449, 450, 451, 452, 453, 454, 455, 456, 457, 458, 459, 460, 461, 462, 463, 464, 465, 466, 467, 468, 469, 470, 471, 472, 473, 474, 475, 476, 477, 478, 479, 480, 481, 482, 483, 484, 485, 486, 487, 488, 489, 490, 491, 492, 493, 494, 495, 496, 497, 498, 499, 500, 501, 502, 503, 504, 505, 506, 507, 508, 509, 510, 511, 512, 513, 514, 515, 516, 517, 518, 519, 520, 521, 522, 523, 524, 525, 526, 527, 528, 529, 530, 531, 532, 533, 534, 535, 536, 537, 538, 539, 540, 541, 542, 543, 544, 545, 546, 547, 548, 549, 550, 551, 552, 553, 554, 555, 556, 557, 558, 559, 560, 561, 562, 563, 564, 565, 566, 567, 568, 569, 570, 571, 572, 573, 574, 575, 576, 577, 578, 579, 580, 581, 582, 583, 584, 585, 586, 587, 588, 589, 590, 591, 592, 593, 594, 595, 596, 597, 598, 599, 600, 601, 602, 603, 604, 605, 606, 607, 608, 609, 610, 611, 612, 613, 614, 615, 616, 617, 618, 619, 620, 621, 622, 623, 624, 625, 626, 627, 628, 629, 630, 631, 632, 633, 634, 635, 636, 637, 638, 639, 640, 641, 642, 643, 644, 645, 646, 647, 648, 649, 650, 651, 652, 653, 654, 655, 656, 657, 658, 659, 660, 661, 662, 663, 664, 665, 666, 667, 668, 669, 670, 671, 672, 673, 674, 675, 676, 677, 678, 679, 680, 681, 682, 683, 684, 685, 686, 687, 688, 689, 690, 691, 692, 693, 694, 695, 696, 697, 698, 699, 700, 701, 702, 703, 704, 705, 706, 707, 708, 709, 710, 711, 712, 713, 714, 715, 716, 717, 718, 719, 720, 721, 722, 723, 724, 725, 726, 727, 728, 729, 730, 731, 732, 733, 734, 735, 736, 737, 738, 739, 740, 741, 742, 743, 744, 745, 746, 747, 748, 749, 750, 751, 752, 753, 754, 755, 756, 757, 758, 759, 760, 761, 762, 763, 764, 765, 766, 767, 768, 769, 770, 771, 772, 773, 774, 775, 776, 777, 778, 779, 780, 781, 782, 783, 784, 785, 786, 787, 788, 789, 790, 791, 792, 793, 794, 795, 796, 797, 798, 799, 800, 801, 802, 803, 804, 805, 806, 807, 808, 809, 810, 811, 812, 813, 814, 815, 816, 817, 818, 819, 820, 821, 822, 823, 824, 825, 826, 827, 828, 829, 830, 831, 832, 833, 834, 835, 836, 837, 838, 839, 840, 841, 842, 843, 844, 845, 846, 847, 848, 849, 850, 851, 852, 853, 854, 855, 856, 857, 858, 859, 860, 861, 862, 863, 864, 865, 866, 867, 868, 869, 870, 871, 872, 873, 874, 875, 876, 877, 878, 879, 880, 881, 882, 883, 884, 885, 886, 887, 888, 889, 890, 891, 892, 893, 894, 895, 896, 897, 898, 899, 900, 901, 902, 903, 904, 905, 906, 907, 908, 909, 910, 911, 912, 913, 914, 915, 916, 917, 918, 919, 920, 921, 922, 923, 924, 925, 926, 927, 928, 929, 930, 931, 932, 933, 934, 935, 936, 937, 938, 939, 940, 941, 942, 943, 944, 945, 946, 947, 948, 949, 950, 951, 952, 953, 954, 955, 956, 957, 958, 959, 960, 961, 962, 963, 964, 965, 966, 967, 968, 969, 970, 971, 972, 973, 974, 975, 976, 977, 978, 979, 980, 981, 982, 983, 984, 985, 986, 987, 988, 989, 990, 991, 992, 993, 994, 995, 996, 997, 998, 999, 1000.

DATE: 02-JAN-08  
 TIME: 02:00 PM  
 RELEASED BY: TMC  
 PART: 0001  
 DO NOT SCALE  
 HARNESS MID BODY MARKERS (2) GAGES (2) 16 BRN BODY MKR (1) 16 WHT GROUND (2) 16 BRN BODY MKR  
 007381203  
 NONE





REL	REL TO PRODUCTION		
REV	DESCRIPTION OF CHANGE	BY	ECO# DATE
<b>PROPRIETARY</b>			
<small>This drawing and the information and data contained herein are the property of Morgan Olson and may not be used, copied or further distributed without the prior written consent of Morgan Olson. All rights reserved. © Morgan Olson 2022.</small>			
		<small>DO NOT SCALE DRAWING</small>	
DRAWN: PSM	DATE: 1/26/2022	ECO#: 75282	
DESCRIPTION: HARN JPR KYLS RDR 36" 2022 TOUCHTRONICS #HNS13235-3			
PART#: 46029075	SHEET: 1 of 1		
	REV: REL		

DRAWING NO.	REV	SHT
082091200		1 OF 1
REV	DESCRIPTION	DATE
	RELEASE FOR PRODUCTION	

- SEALED CONNECTORS AS NOTED TO BE GREASED WITH TRUCK-LITE NYK-77 CORROSION PREVENTATIVE COMPOUND OR EQUIV.
- THIS IS A PURCHASED HARN. NO BILL OF MATERIAL EXISTS.
- VENDOR TO REPLACE PIGTAILS WITH WIRING TO APPROVED MOLDINGS OR CONNECTOR TERMINALS. SHOWING TERMINAL VIEW. VENDOR PART NUMBER SHOWN FOR REFERENCE ONLY.
- HARN. TO BE TESTED FOR CONTENTS, SHORTS, AND CONTINUITY.
- CONNECTORS SHOWN FROM REVERSE SIDE UNLESS OTHERWISE NOTED.
- SPLICES TO BE AUTOMATED WITH HEAT SHRINK TUBING.
- TAPE (1111098): 8" AT BREAKOUTS AND 2" AT LOOM ENDS.
- HARN. TO HAVE A LABEL SHOWING MORGAN OLSON LEVEL AND DATE OF MANUFACTURE.
- SPLIT POLY LOOM UNLESS OTHERWISE NOTED.

**PROPRIETARY**

This drawing and the information and data contained herein are the property of Morgan Olson and may not be used, copied or further distributed without the prior written consent of Morgan Olson. All rights reserved. © Morgan Olson 2022.

**MORGAN OLSON**

GENERAL STANDARDS UNLESS OTHERWISE NOTED:

1. MATERIALS	2. FINISHES	3. DIMENSIONS	4. TOLERANCES
AS SHOWN	AS SHOWN	AS SHOWN	AS SHOWN
UNLESS OTHERWISE NOTED	UNLESS OTHERWISE NOTED	UNLESS OTHERWISE NOTED	UNLESS OTHERWISE NOTED

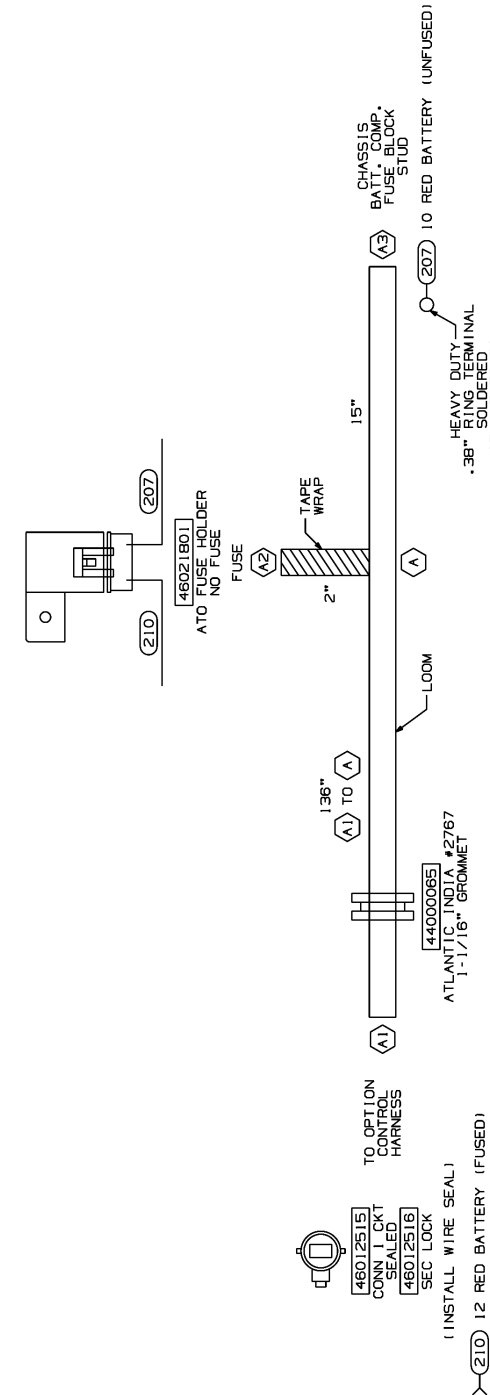
DATE: 09JAN08  
DRAWN: OSJAN08  
CHECKED: OSJAN08  
DATE: 09JAN08  
DRAWN: OSJAN08  
CHECKED: OSJAN08

HARN-PWR, OPTION, FROM BATT

DRAWING NO. 082091200

SHT 1 OF 1

CIRCUIT	GAUGE/COLOR	END POINTS	FUNCTION
207	10 RED	A2, A3	BATTERY (UNFUSED)
210	12 RED	A1, A2	BATTERY (FUSED)



BASED ON: 074093201

HARN. AND LOOM TOLERANCES

UP TO 60"	: -0/+2"
60" TO 100"	: -0/+4"
100" TO 200"	: -0/+5"
200" TO 400"	: -0/+6"
400" TO 600"	: -0/+8"
60 TO 80"	: -0/+2"

TOLERANCE IS NOT ACCUMULATIVE. HARN. LENGTH BREAKOUT TO END, OR LOOM.

DRAWING NO.	REV	SHT
88117437		1 OF 1
REV.	DESCRIPTION	DATE
	RELEASE TO PRODUCTION	TMC

- B. VENDOR MAY REPLACE PIGTAILS WITH WIRING TO APPROVED MOLDINGS OR CONNECTORS. PIGTAILS SHOWN IN TERMINAL VIEW.
7. HARNESS TO BE TESTED FOR CONTENT, OPENS, SHORTS, AND CONTINUITY.
6. CONNECTORS SHOWN FROM WIRE ENTRY SIDE, UNLESS OTHERWISE NOTED.
5. SPLICES TO BE AUTOMATED WITH HEAT SHRINK TUBING. HEAT SHRINK BUTT SPLICES ARE ACCEPTABLE FOR GO FABRICATION IF NECESSARY.
4. TAPE [1111998]: 6" AT BREAKOUTS AND 2" AT LOOM ENDS.
3. HARNESS TO HAVE A LABEL SHOWING GRAMMAN OLSON PART NUMBER, REVISION LEVEL NUMBER, DATE OF MANUFACTURE.
2. SPLIT POLY LOOM UNLESS OTHERWISE NOTED.
1. GXL WIRE.

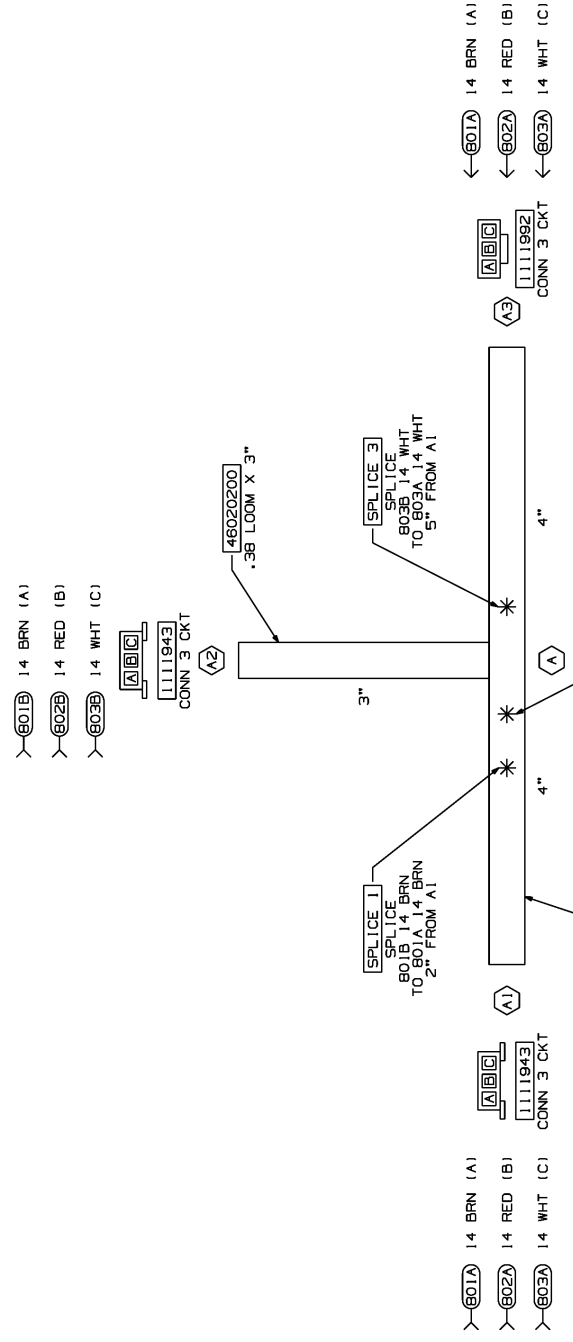
NOTES:

**PROPRIETARY**  
This drawing and the information and data contained hereon are the property of Morgan Olson and shall remain the property of Morgan Olson. No part of this drawing may be reproduced or transmitted in any form or by any means, electronic, mechanical, photocopying, recording, or by any information storage and retrieval system, without the prior written consent of Morgan Olson.



DATE	27FEB02	DATE	28FEB02
DESIGNED BY	SEH	DATE	28FEB02
CHECKED BY		DATE	
REVISION		DATE	
DESCRIPTION		DATE	
SCALE		DATE	
DRAWING NO.	88117437	SCALE	NONE
REV		REV	

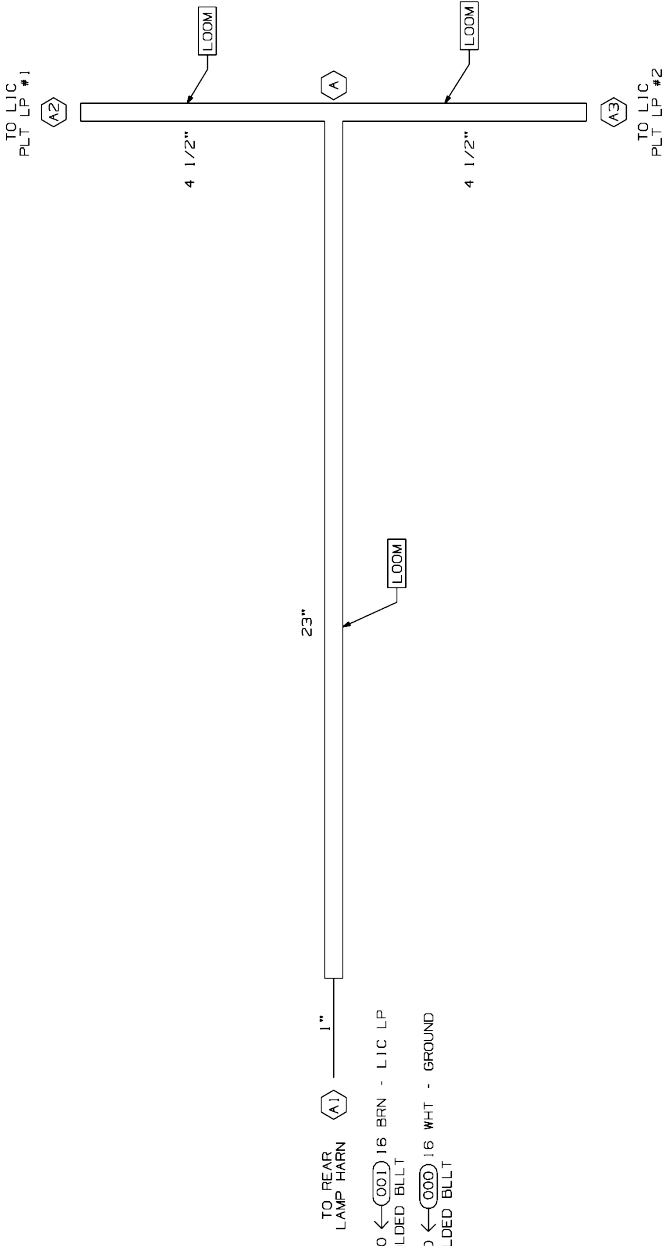
**HARNESS AND LOOM TOLERANCES**  
 UP TO 60" = -0/+2"  
 60" TO 100" = -0/+4"  
 100" TO 200" = -0/+5"  
 200" TO 400" = -0/+6"  
 400" TO 600" = -0/+7"  
 OVER 600" = -0/+8"  
 BO TO BO = -0/+2"  
 TOLERANCE IS NOT ACCUMULATIVE. LENGTH APPLIES TO OVERALL HARNESS LENGTH, BREAKOUT TO END, OR LOOM.



CIRCUIT	DESCRIPTION	END POINTS	FUNCTION
B01A	14 BRN 008 1111944 OE 4601B504	A1,A3	GENERIC
B01B	14 BRN 008 1111944 OE STR .25	A2,SPLICE 1	GENERIC
B02A	14 RED 008 1111944 OE 4601B504	A1,A3	GENERIC
B02B	14 RED 004 1111944 OE STR .25	A2,SPLICE 2	GENERIC
B03A	14 WHT 008 1111944 OE 4601B504	A1,A3	GENERIC
B03B	14 WHT 004 1111944 OE STR .24	A2, SPLICE 3	GENERIC

DRAWING NO.	REV	SHT
130092204		1 OF 1
REV.	DESCRIPTION	DATE
	RELEASE FOR PRODUCTION	

- .180 > (001) 16 BRN - LIC LP MOLDED BALLT
- .180 > (000) 16 WHT - GROUND MOLDED BALLT



CIRCUIT	DESCRIPTION	END POINTS	FUNCTION
000	16 WHT	A1,A2,A3	GROUND
001	16 BRN	A1,A2,A3	LICENSE LAMP

9. THIS IS A PURCHASED HARNESS NOT BALL OF MATERIAL EXISTS.
8. VENDOR MAY REPLACE PIGTAILS WITH WIRING TO APPROVED MOLDINGS OR CONNECTORS. PIGTAILS SHOWN IN TERMINAL VIEW.
7. HARNESS TO BE TESTED FOR CONTENT, OPENS, SHORTS, AND CONTINUITY.
6. CONNECTORS SHOWN FROM WIRE ENTRY SIDE, UNLESS OTHERWISE NOTED.
5. SPLICES TO BE AUTOMATED WITH SOLDER, AND ADHESIVE LINED HEAT SHRINK TUBING.
4. TAPE [1111998]: 6" AT BREAKOUTS AND 2" AT LOOM ENDS.
3. HARNESS TO HAVE A LABEL SHOWING MORGAN OLSON PART NUMBER, REVISION LEVEL NUMBER, DATE OF MANUFACTURE.
2. SPLIT HI-TEMP NYLON LOOM, BLACK WITH GRAY STRIPE, UNLESS OTHERWISE NOTED.
1. GXL WIRE.

NOTES:

**PROPRIETARY**  
This drawing and the information and data contained hereon are the property of Morgan Olson and shall remain the property of Morgan Olson. No part of this drawing may be reproduced or transmitted in any form or by any means, electronic, mechanical, photocopying, recording, or by any information storage and retrieval system, without the prior written consent of Morgan Olson.



DATE	08AUG13	DATE	08AUG13
DESIGNED BY		DATE	
CHECKED BY		DATE	
REVISION		DATE	
DESCRIPTION		DATE	
SCALE		DATE	
DRAWING NO.	130092204	SCALE	NONE
REV		REV	

**HARNESS AND LOOM TOLERANCES**  
 UP TO 60" = -0/+2"  
 60" TO 100" = -0/+4"  
 100" TO 200" = -0/+5"  
 200" TO 400" = -0/+6"  
 400" TO 600" = -0/+7"  
 OVER 600" = -0/+8"  
 BO TO BO = -0/+2"  
 LENGTHS APPLY FROM BREAKOUT POINT OR BREAKOUT TO WIRE ENTRY SIDE OF CONNECTOR.

FIRST USE:  
CV101936  
BASED ON:  
130092202

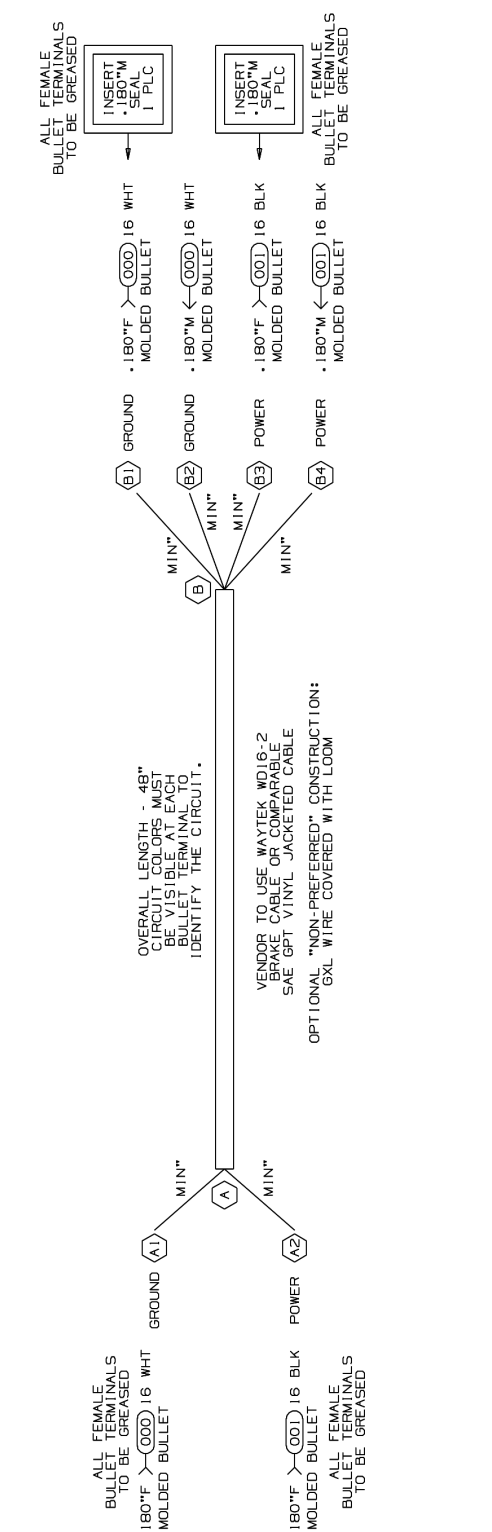


REV	DESCRIPTION	DATE
	RELEASE TO PRODUCTION	

DRAWING NO.	140088200
SHT	6
REV	1

CIRCUIT	DESCRIPTION	END POINTS	FUNCTION
000	16 WHT	A1, B1, B2	GROUND
001	16 BLK	A2, B3, B4	POWER

6. VENDOR MAY REPLACE THIS WITHING TO APPROVED MOLDINGS OR CONNECTORS. PIGTAILS SHOWN IN TERMINAL VIEW.
7. HARNESS TO BE TESTED FOR CONTENT, OPENS, SHORTS, AND CONTINUITY.
8. CONNECTORS SHOWN FROM WIRE ENTRY SIDE UNLESS OTHERWISE NOTED.
9. SPLICES TO BE AUTOMATED WITH SHIRK BUT SPLICES ARE ACCEPTABLE FOR M.O. FABRICATION IF NECESSARY.
10. TAPE [1111098]: 6" AT BREAKOUTS AND 2" AT LOOM ENDS.
11. HARNESS TO HAVE A LABEL SHOWING MORGAN OLSON PART NUMBER, REVISION LEVEL AND DATE OF MANUFACTURE.
12. SPLIT POLY LOOM UNLESS JACKETED CABLE IS USED.
1. JACKETED CABLE AS NOTED.



**PROPRIETARY**  
This drawing and the information and data contained hereon are the property of Morgan Olson and are not to be reproduced, copied, or disseminated in any form without the express written permission of Morgan Olson. For any further information contact Morgan Olson at 5000 Greenway Blvd., Suite 1000, Morgan Olson, Missouri, 63120. © Morgan Olson, 2013.

**MORGAN OLSON**

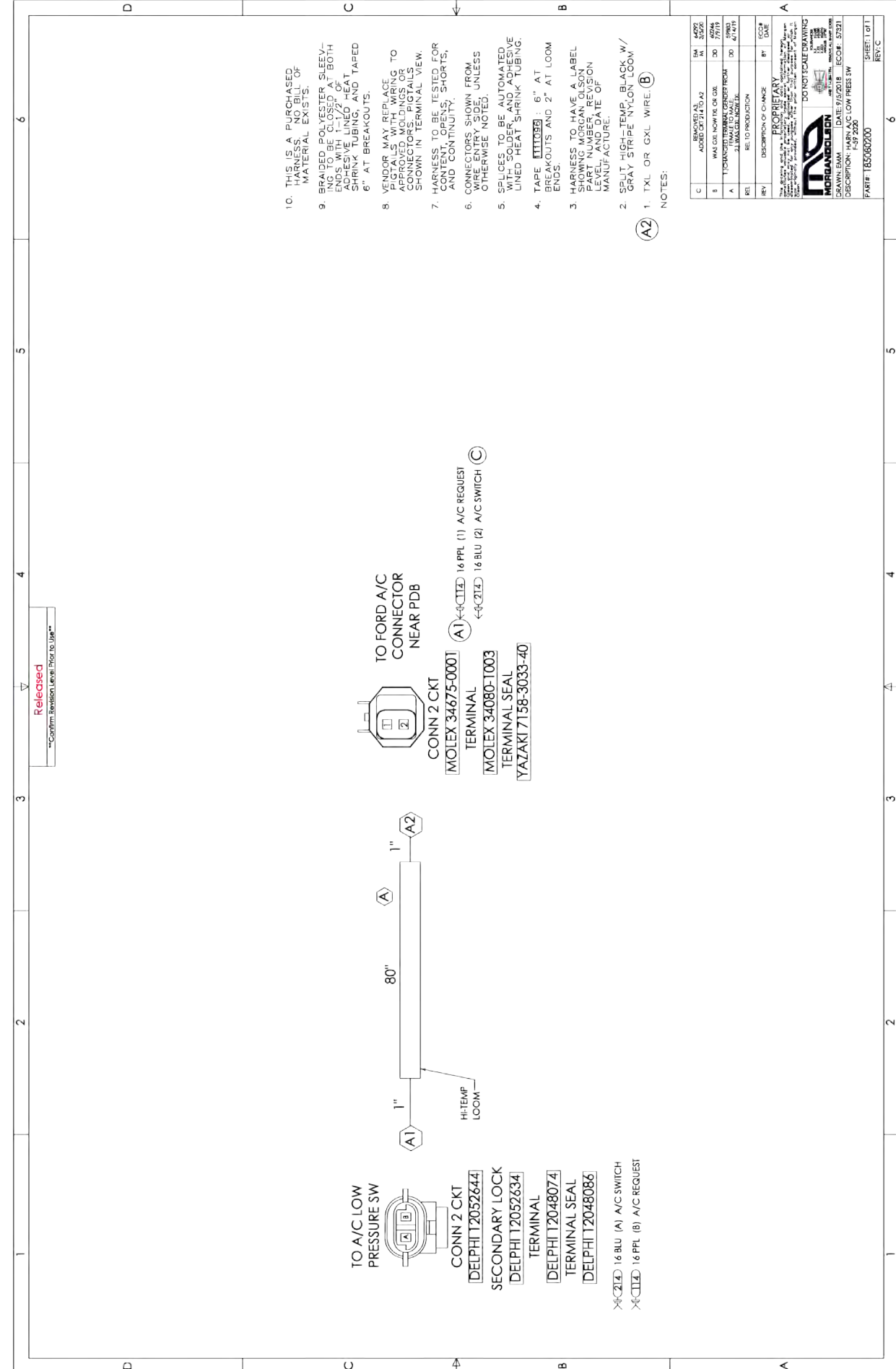
GENERAL STANDARDS UNLESS OTHERWISE NOTED:  
1. DIMENSIONS: IN. DECIMAL: .005, .010, .015, .020, .030, .040, .050, .060, .070, .080, .090, .100, .125, .150, .175, .200  
2. UNLESS OTHERWISE SPECIFIED, DIMENSIONS ARE TO THE CENTERLINE UNLESS OTHERWISE SPECIFIED  
3. UNLESS OTHERWISE SPECIFIED, DIMENSIONS ARE TO THE DIMENSIONED SURFACE UNLESS OTHERWISE SPECIFIED  
4. UNLESS OTHERWISE SPECIFIED, DIMENSIONS ARE TO THE DIMENSIONED SURFACE UNLESS OTHERWISE SPECIFIED  
5. DIMENSIONS UP TO 1/16" TOLERANCE: ±0.0005"  
6. DIMENSIONS UP TO 1/8" TOLERANCE: ±0.0015"  
7. DIMENSIONS UP TO 3/16" TOLERANCE: ±0.0025"  
8. DIMENSIONS UP TO 1/4" TOLERANCE: ±0.0050"  
9. DIMENSIONS UP TO 3/8" TOLERANCE: ±0.0075"  
10. DIMENSIONS UP TO 1/2" TOLERANCE: ±0.0100"  
11. DIMENSIONS UP TO 3/4" TOLERANCE: ±0.0150"  
12. DIMENSIONS UP TO 1" TOLERANCE: ±0.0200"

DATE: 17DEC13  
DATE: 42440  
DATE: 17DEC13

DO NOT SCALE

HARNESS JUMPER 48" 2W "Y" (180F TO 180F/180M EACH CKT)

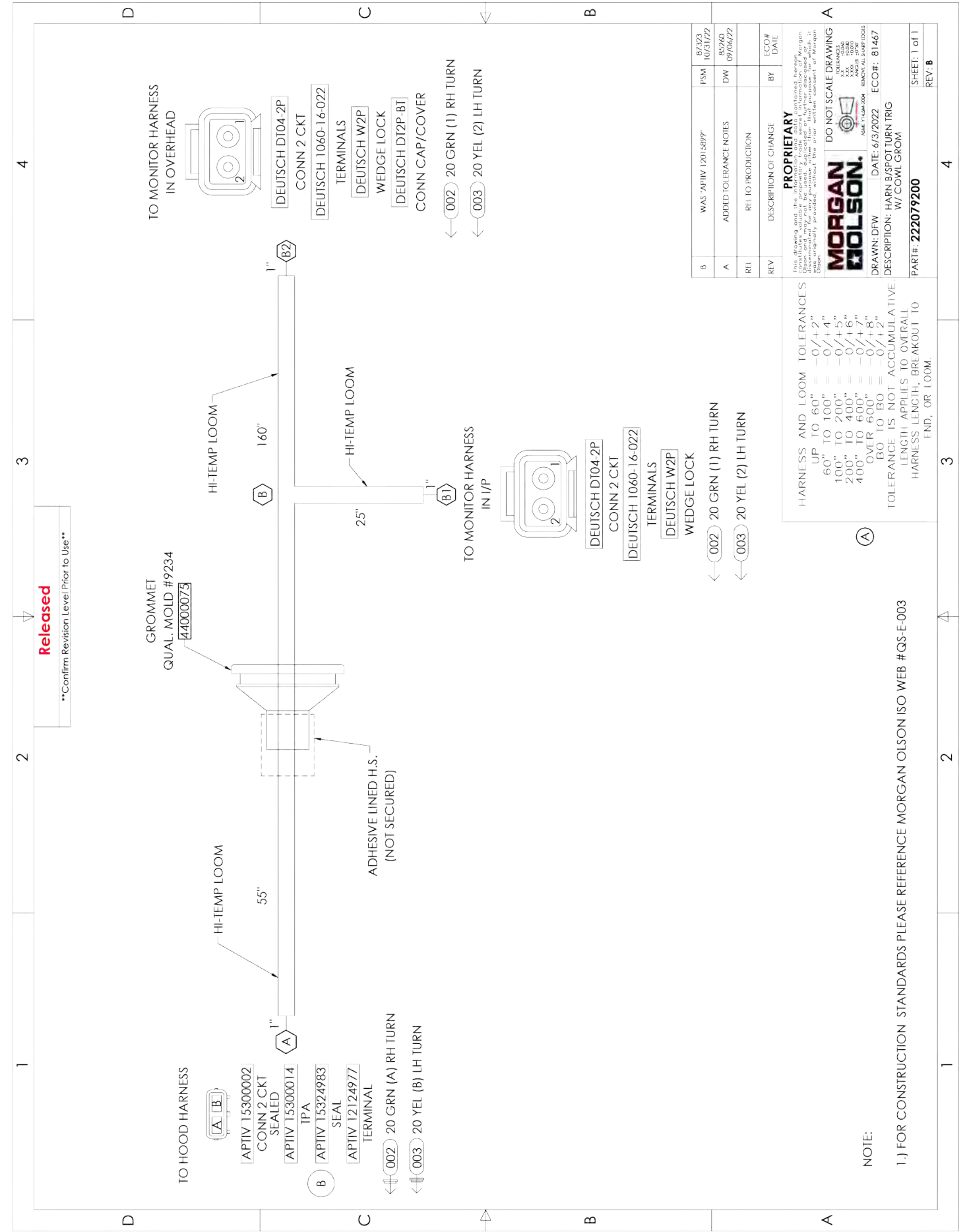
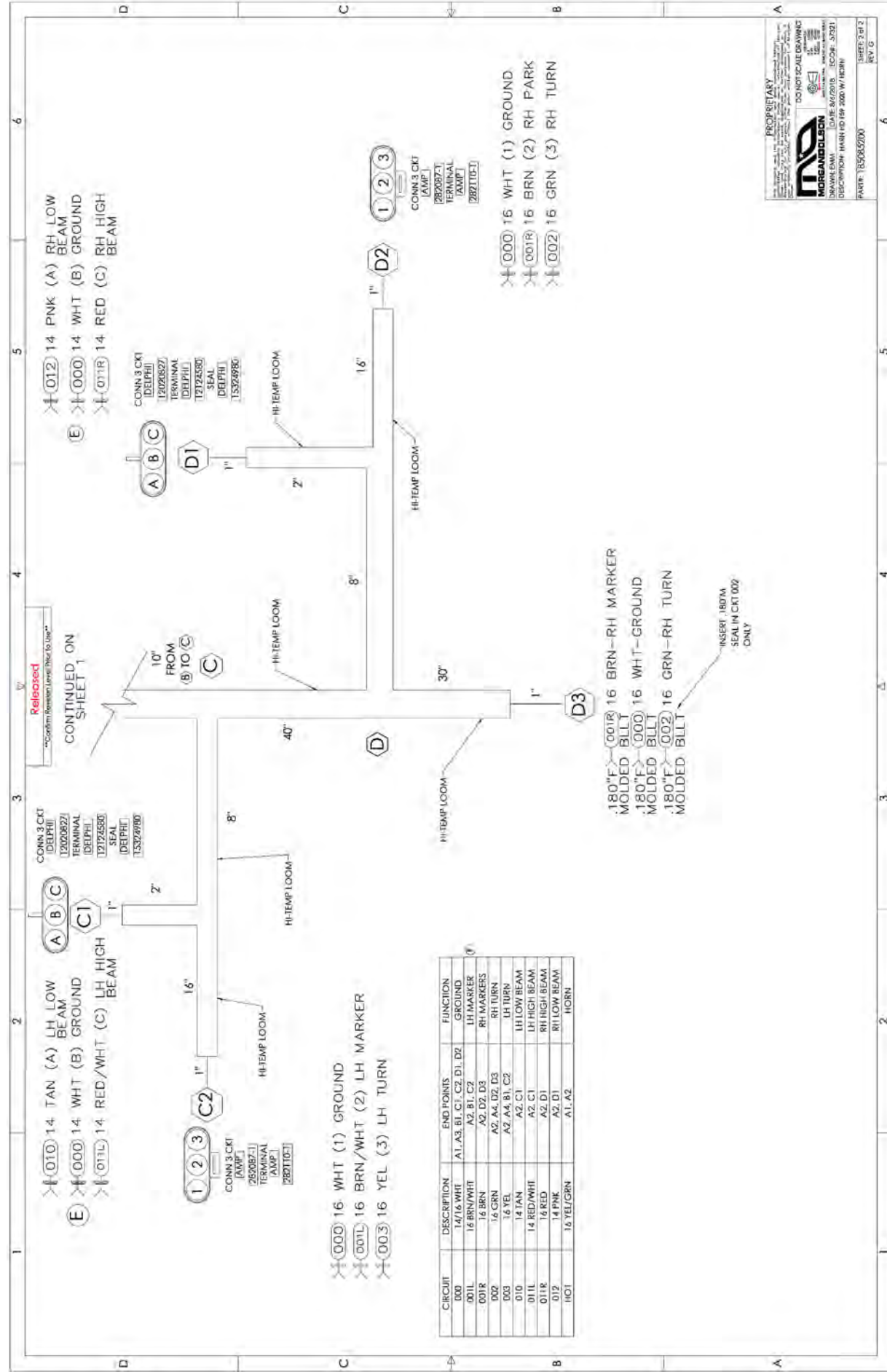
DRAWING NO. 140088200  
SHEET 6 OF 1  
SCALE NONE  
REV



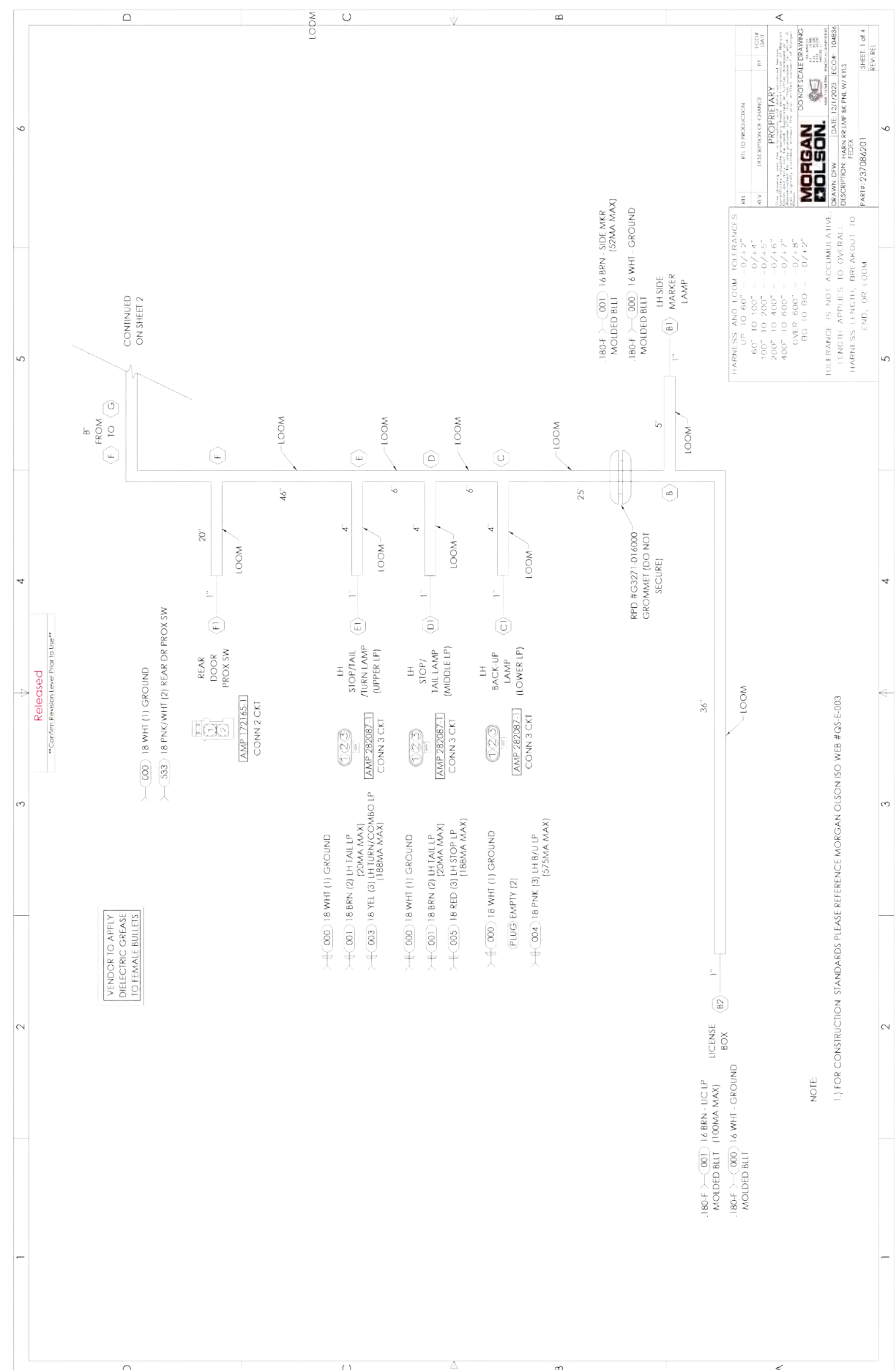
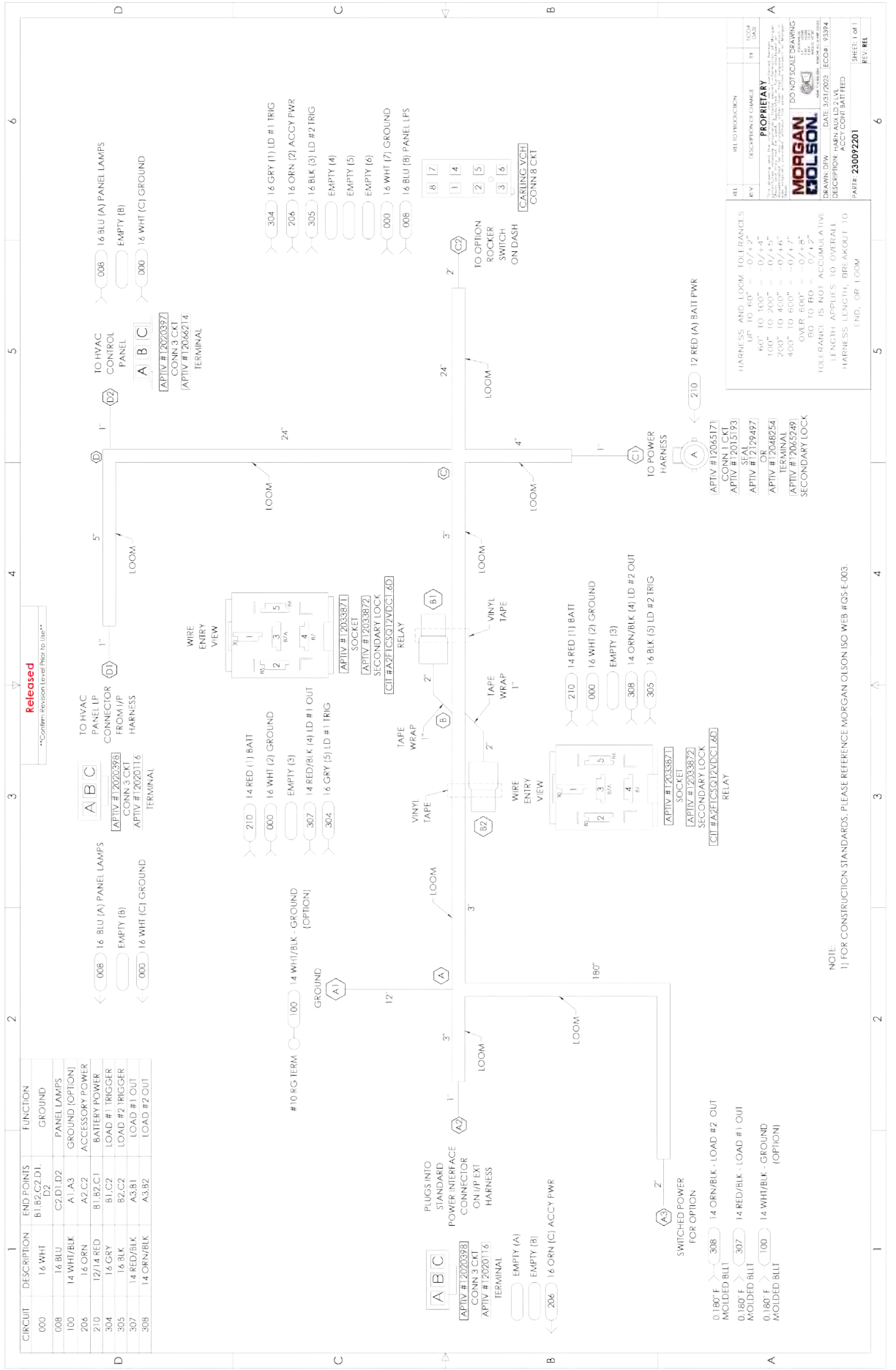
REV	DESCRIPTION	DATE
	RELEASE TO PRODUCTION	

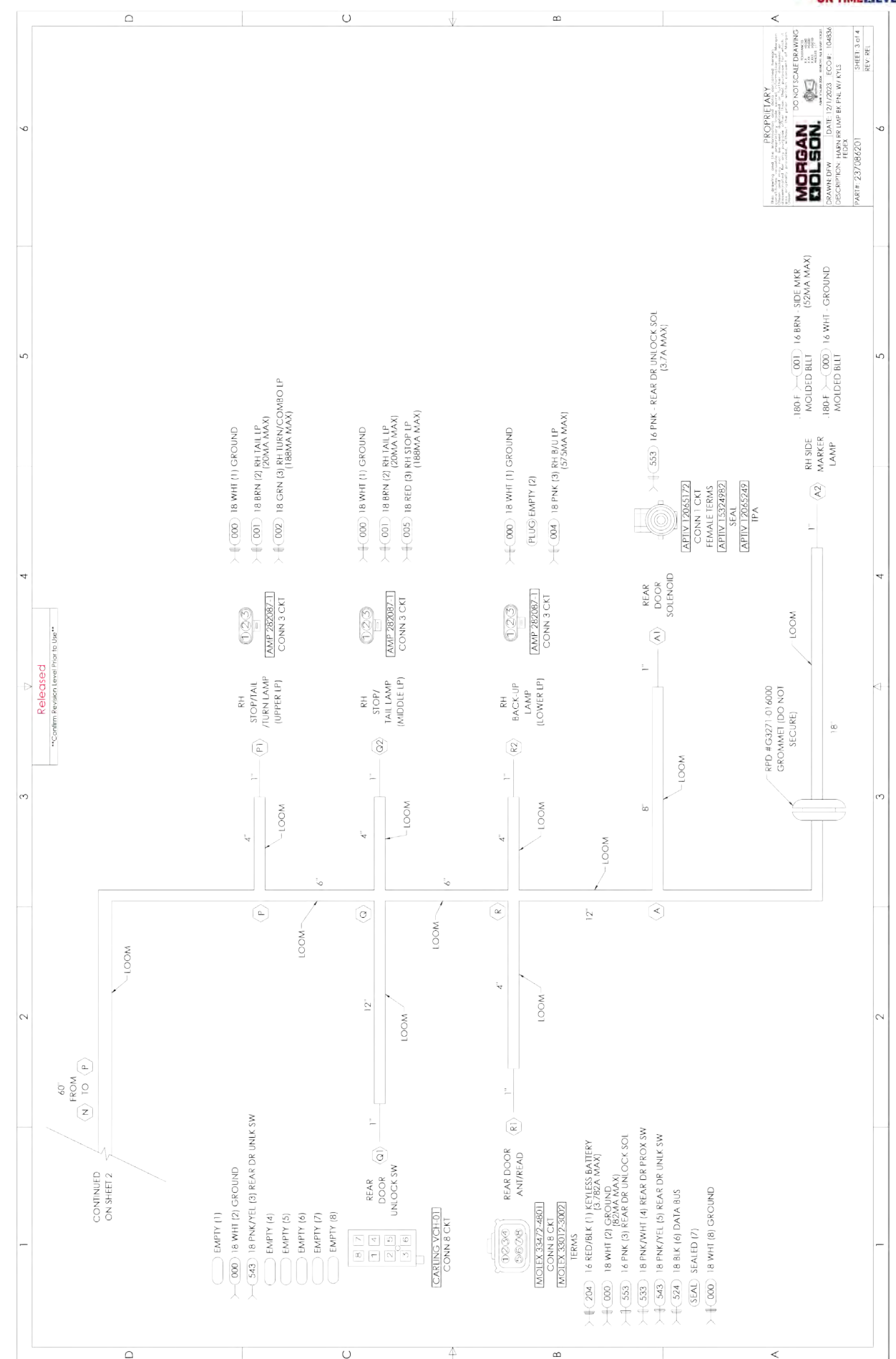
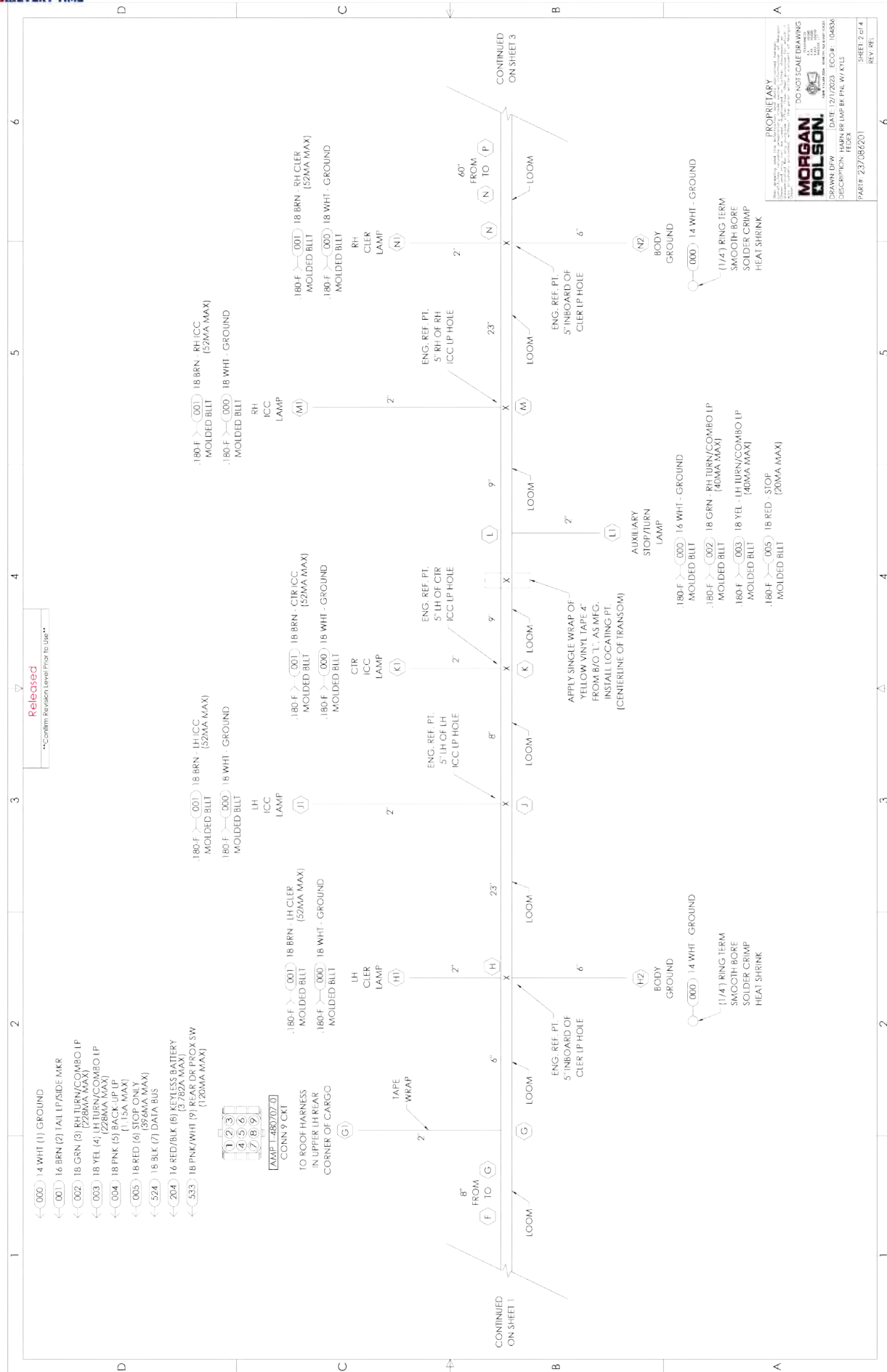
DRAWING NO.	140088200
SHT	6
REV	1

CIRCUIT	DESCRIPTION	END POINTS	FUNCTION
000	16 WHT	A1, B1, B2	GROUND
001	16 BLK	A2, B3, B4	POWER







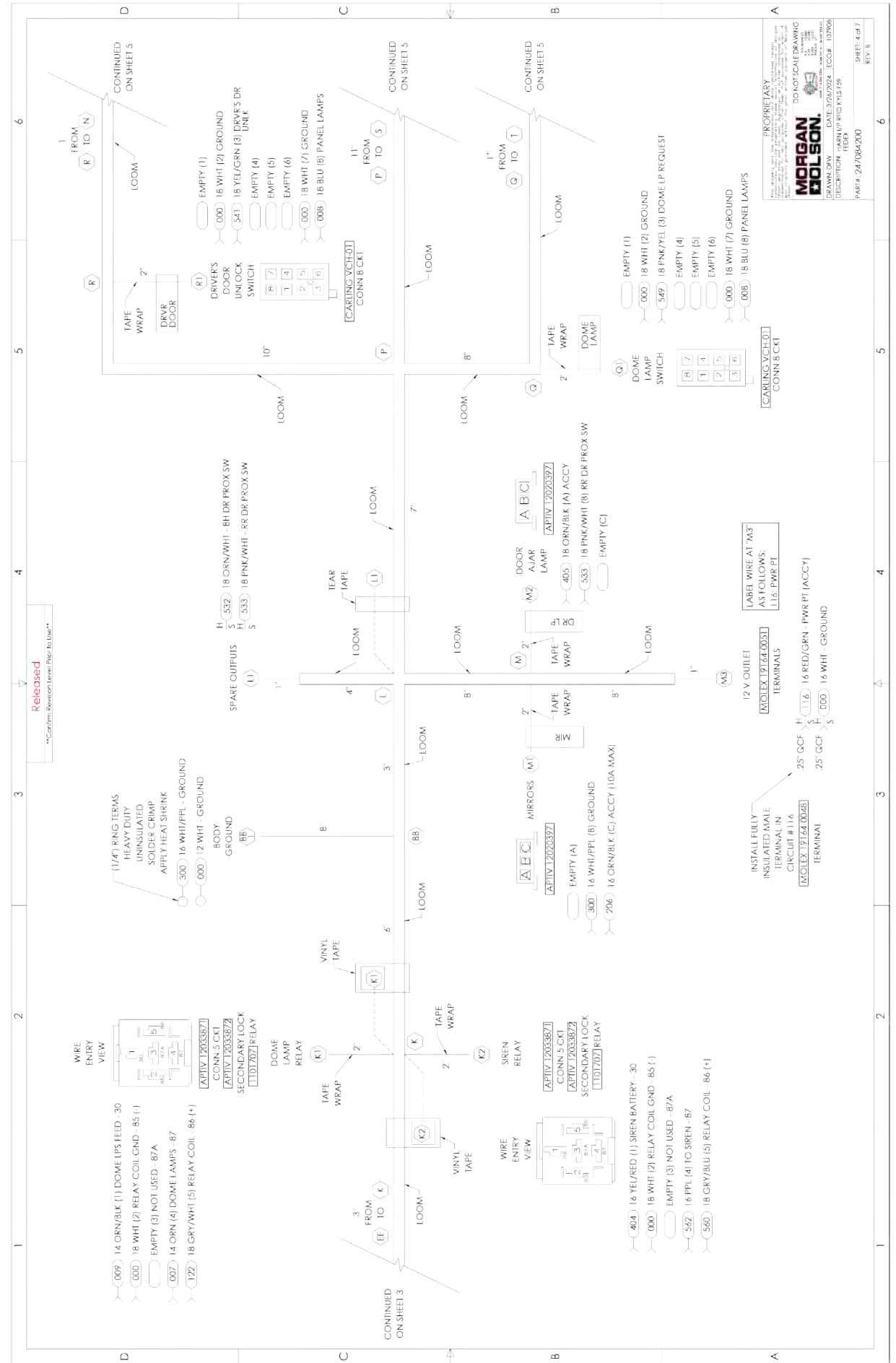
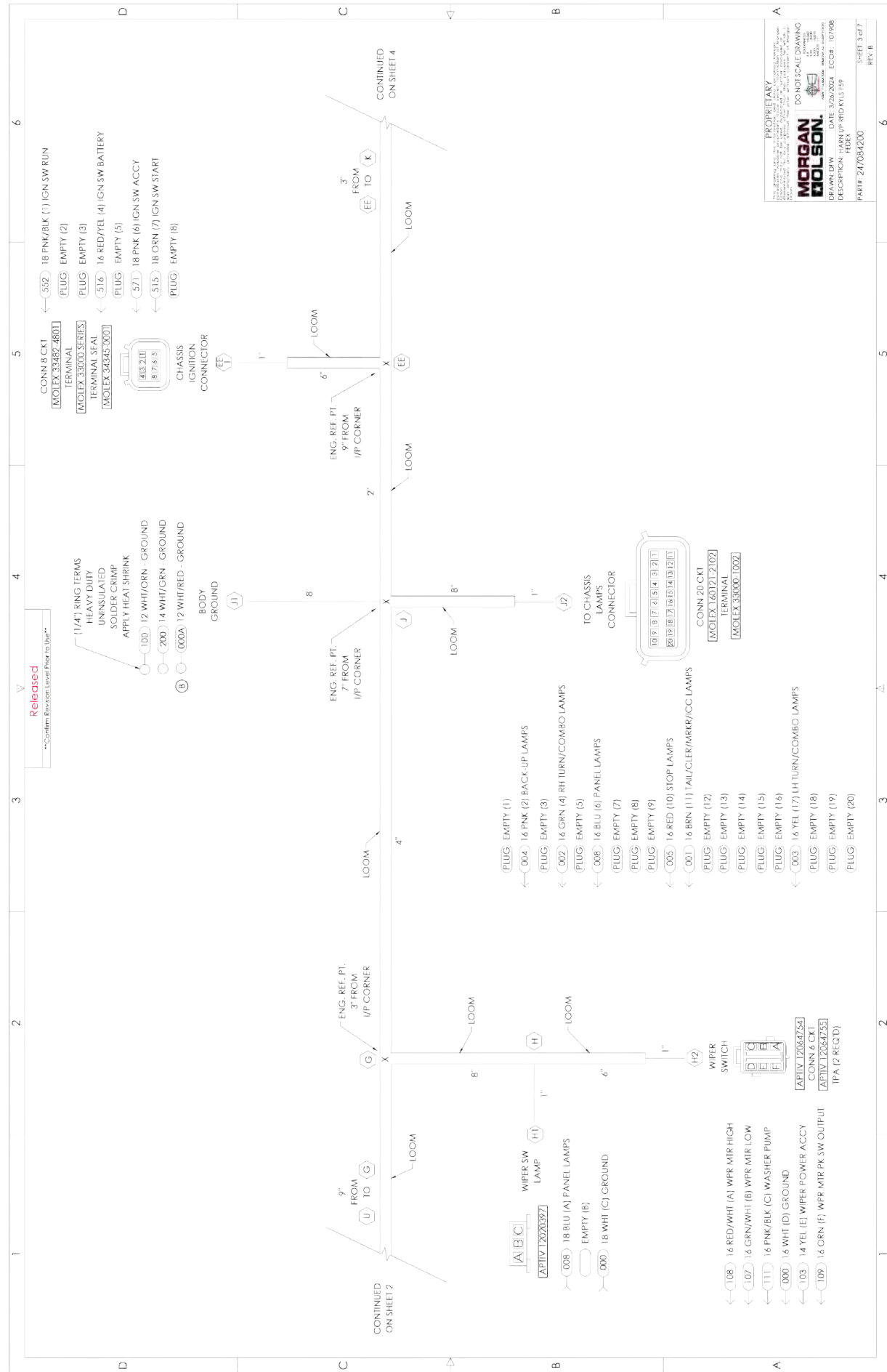


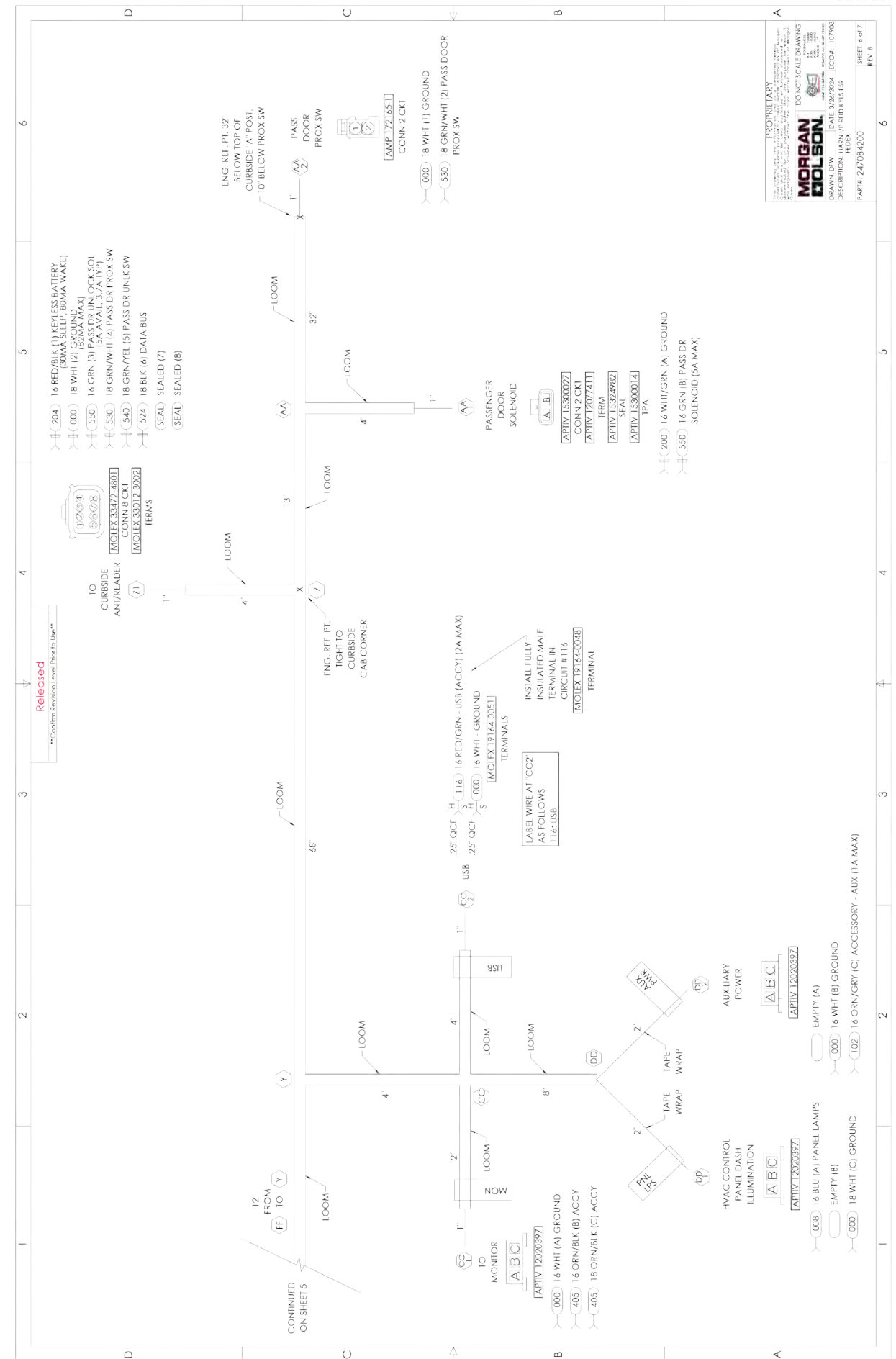
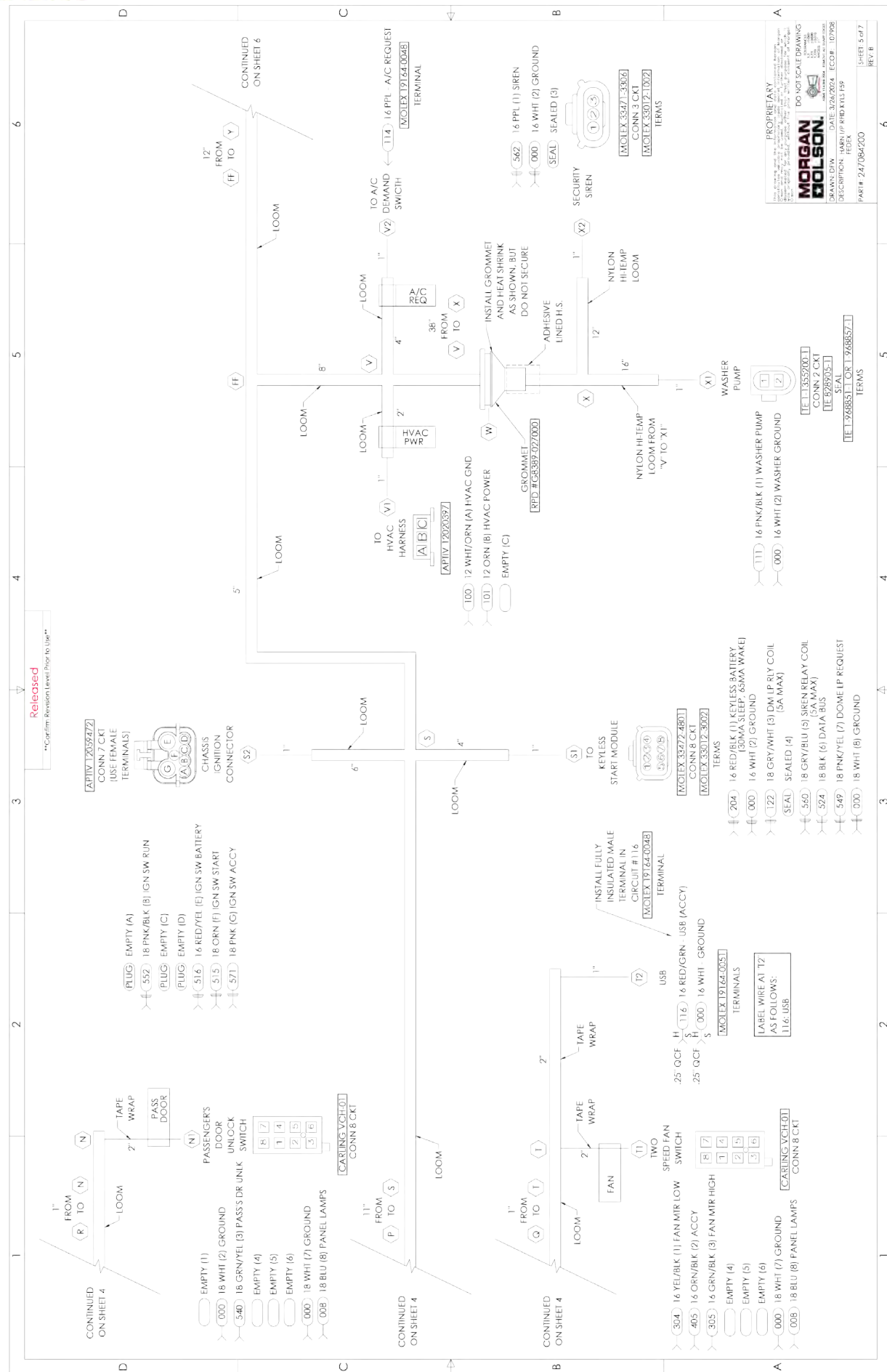




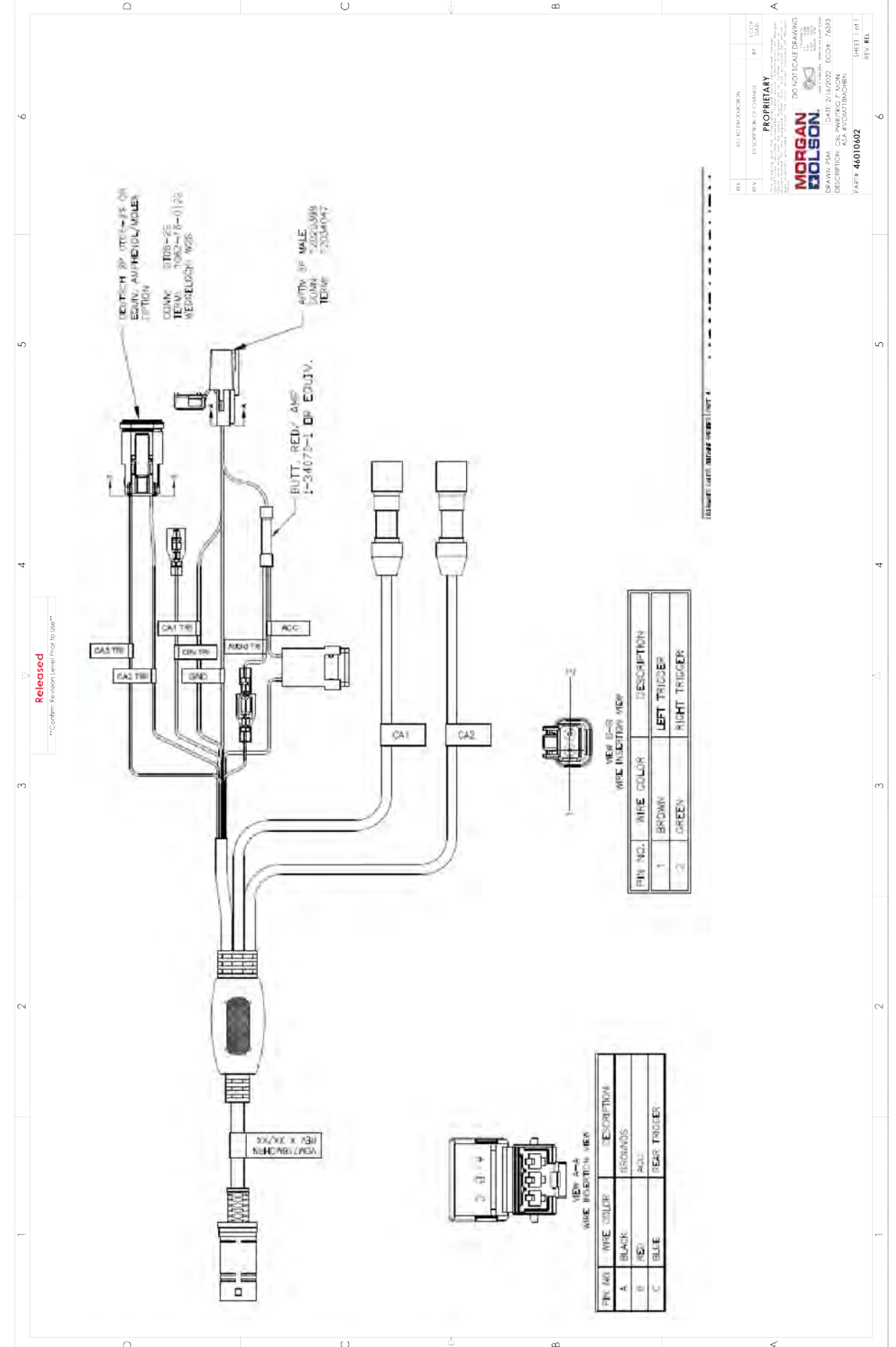
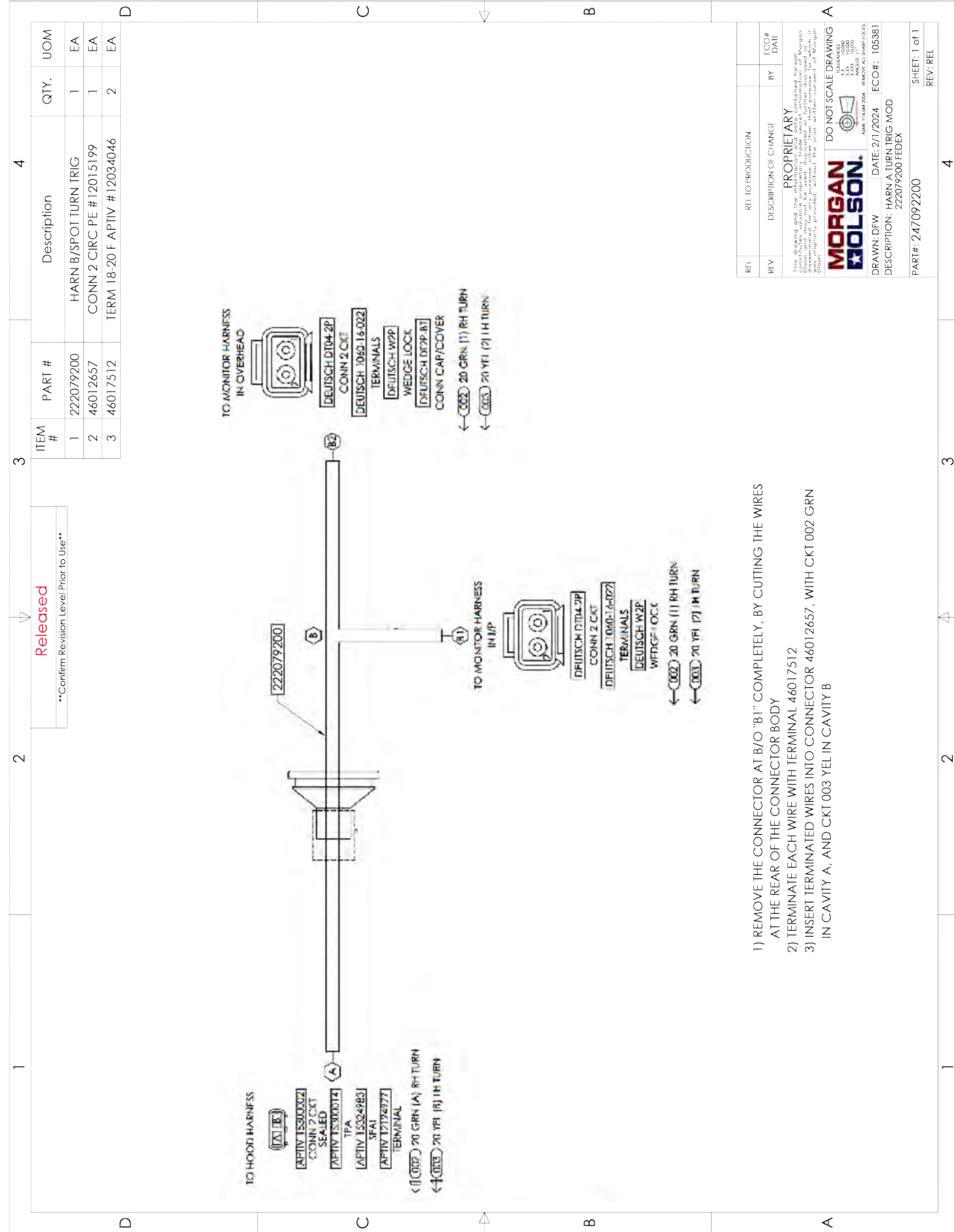














CAMERA TO MONITOR CABLES

ITEM #	PART #	DESCRIPTION	QTY	UNIT
	48200092	CABLE CAMERA X34'	1	EA
	48200137	CABLE CAMERA X15'	1	EA
	48200011	CABLE CAMERA X4'	1	EA
	48200183	CABLE CAMERA X3'	1	EA

This parts catalog applies to the following W1000 delivery vehicles

VIN #	Asset #	VIN #	Asset #
4UZAAPFD5SCVT7934	975594	4UZAAPFD9SCVT7970	975630
4UZAAPFD7SCVT7935	975595	4UZAAPFD0SCVT7971	975631
4UZAAPFD9SCVT7936	975596	4UZAAPFD2SCVT7972	975632
4UZAAPFD0SCVT7937	975597	4UZAAPFD4SCVT7973	975633
4UZAAPFD2SCVT7938	975598	4UZAAPFD6SCVT7974	975634
4UZAAPFD4SCVT7939	975599	4UZAAPFD8SCVT7975	975635
4UZAAPFD0SCVT7940	975600	4UZAAPFDXSCVT7976	975636
4UZAAPFD2SCVT7941	975601	4UZAAPFD1SCVT7977	975637
4UZAAPFD4SCVT7942	975602	4UZAAPFD3SCVT7978	975638
4UZAAPFD6SCVT7943	975603	4UZAAPFD5SCVT7979	975639
4UZAAPFD8SCVT7944	975604	4UZAAPFD1SCVT7980	975640
4UZAAPFDXSCVT7945	975605	4UZAAPFD3SCVT7981	975641
4UZAAPFD1SCVT7946	975606	4UZAAPFD5SCVT7982	975642
4UZAAPFD3SCVT7947	975607	4UZAAPFD7SCVT7983	975643
4UZAAPFD5SCVT7948	975608	4UZAAPFD9SCVT7984	975644
4UZAAPFD7SCVT7949	975609	4UZAAPFD0SCVT7985	975645
4UZAAPFD3SCVT7950	975610	4UZAAPFD2SCVT7986	975646
4UZAAPFD5SCVT7951	975611	4UZAAPFD4SCVT7987	975647
4UZAAPFD7SCVT7952	975612	4UZAAPFD6SCVT7988	975648
4UZAAPFD9SCVT7953	975613	4UZAAPFD8SCVT7989	975649
4UZAAPFD0SCVT7954	975614	4UZAAPFD4SCVT7990	975650
4UZAAPFD2SCVT7955	975615	4UZAAPFD6SCVT7991	975651
4UZAAPFD4SCVT7956	975616	4UZAAPFD8SCVT7992	975652
4UZAAPFD6SCVT7957	975617	4UZAAPFDXSCVT7993	975653
4UZAAPFD8SCVT7958	975618	4UZAAPFD1SCVT7994	975654
4UZAAPFDXSCVT7959	975619	4UZAAPFD3SCVT7995	975655
4UZAAPFD6SCVT7960	975620	4UZAAPFD5SCVT7996	975656
4UZAAPFD8SCVT7961	975621	4UZAAPFD7SCVT7997	975657
4UZAAPFDXSCVT7962	975622	4UZAAPFD9SCVT7998	975658
4UZAAPFD1SCVT7963	975623	4UZAAPFD0SCVT7999	975659
4UZAAPFD3SCVT7964	975624	4UZAAPFD1SCVT8000	975660
4UZAAPFD5SCVT7965	975625	4UZAAPFD3SCVT8001	975661
4UZAAPFD7SCVT7966	975626	4UZAAPFD5SCVT8002	975662
4UZAAPFD9SCVT7967	975627	4UZAAPFD7SCVT8003	975663
4UZAAPFD0SCVT7968	975628	4UZAAPFD9SCVT8004	975664
4UZAAPFD2SCVT7969	975629	4UZAAPFD0SCVT8005	975665





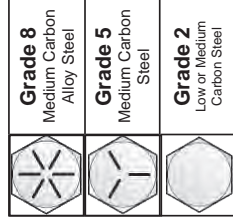
	Length										
	.5	.625	.75	.875	1"	1-1/4"	1-1/2"	2-1/4"	2-1/2	3"	
<b>18-8 Stainless</b>											
PHILLIPS TRUSS M/S 18-8 SS	8 - 32	1	<a href="#">1117716</a>								
PHILLIPS TRUSS M/S 18-8 SS	10 - 24	1	<a href="#">1117800</a>	<a href="#">1117814</a>	<a href="#">40300498</a>	<a href="#">40300451</a>	<a href="#">1117835</a>				
PHILLIPS TRUSS M/S 18-8 SS	1/4 - 20	1		<a href="#">1117784</a>	<a href="#">40300453</a>	<a href="#">40300454</a>					
PHILLIPS TRUSS M/S 18-8 SS	5/16 - 18	1		<a href="#">1117928</a>							
PHILLIPS FLAT M/S 18-8 SS	10 - 32	2			<a href="#">1117830</a>						
PHILLIPS FLAT M/S 18-8 SS	1/4 - 20	2		<a href="#">40300809</a>	<a href="#">1117782</a>	<a href="#">40300630</a>	<a href="#">40300631</a>				
PHILLIPS ROUND M/S 18-8 SS	10 - 24	6		<a href="#">1117209</a>							
6 LOBE PAN T/C M/S 18-8 SS	1/4 - 20	9			<a href="#">1117815</a>						
<b>Standard Steel RoHS</b>											
PHILLIPS ROUND M/S ZC/ROHS	8 - 32	6					<a href="#">1117839</a>				
PHILLIPS PAN TEKS/3 ZC/ROHS	10 - 16	5		<a href="#">1117674</a>							
PHILLIPS TRUSS M/S ZC/ROHS	10 - 24	1								<a href="#">1117793</a>	
PHILLIPS TRUSS M/S ZC/ROHS	10 - 32	1	<a href="#">1117723</a>	<a href="#">1117688</a>		<a href="#">1117715</a>					
<b>T/C - Thread Cutting</b>											
PHIL PAN T/S TYPE A ZC	10	8				<a href="#">1117680</a>					
PHIL TRUSS T/S TYPE A BLK	10	4				<a href="#">40300101</a>					
PHIL PAN T/S TYPE A BLK	10	7				<a href="#">40300503</a>					
PHIL PAN T/S TYPE A ZC	12	8		<a href="#">1117666</a>							
6 LOBE PAN T/C	1/4 - 20	9		<a href="#">1117668</a>		<a href="#">40300922</a>	<a href="#">1117684</a>		<a href="#">40300042</a>		



T/C Thread Cutting 6 Lobe Type A  
Genuine OEM Parts



Size	Description	Thread	Lengths														
			.62	3/4"	1"	1-1/4"	1-1/2"	1-3/4"	2"	2-1/2"	3"	3-1/4"	4"				
1/4" Hex Cap Screw	GR5 ZC/RO	20															
1/4" Hex Cap Screw	GR5 ZC/ROHS	20			<a href="#">1101688</a>			<a href="#">1117009</a>									
1/4" Hex Cap Screw	18-8 Stainless	20	<a href="#">1117816</a>										<a href="#">1117818</a>				
1/4" Hex Cap Screw	ASTM F593C	20			<a href="#">1117819</a>												
5/16" Hex Cap Screw	18-8 Stainless	18			<a href="#">1117804</a>												
5/16" Hex Cap Screw	GR8 ZC/Y	18			<a href="#">1117804</a>												<a href="#">40300737</a>
5/16" Hex Cap Screw	ASTM F593	18			<a href="#">1117803</a>												
5/16" Hex Cap Screw	GR5 ZC/R	16			<a href="#">1117837</a>												
3/8" Hex Cap Screw	GR8 ZC/Y	18			<a href="#">1117049</a>												
3/8" Hex Cap Screw	GR8 ZC/Y	16			<a href="#">1117843</a>												
3/8" Hex Cap Screw	GR5 ZC/RO	16			<a href="#">47012646</a>												
3/8" Hex Cap Screw	GR5 ZC/ROHS	16	<a href="#">40300056</a>	<a href="#">40300054</a>													
3/8" Hex Cap Screw	ASTM F593C	16															
7/16" Hex Cap Screw	GR8 ZC/Y	20															
1/2" Hex Cap Screw	GR5 ZC/ROHS	13															
1/2" Hex Cap Screw	GR5 ZC/RO	13			<a href="#">1117121</a>												
1/2" Hex Cap Screw	GR5 ZC/ROHS	13															
1/2" Hex Cap Screw	GR5 ZC	13															
5/8" Hex Cap Screw	GR5	11															

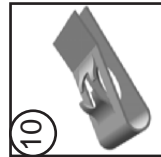
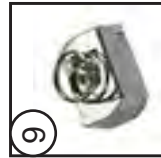
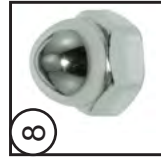
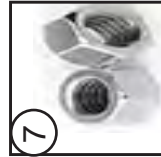
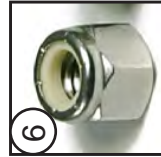
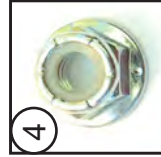
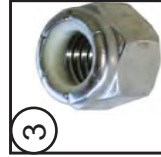
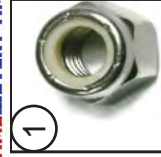


ZC	Zinc Coated
ZP	Zinc Plated
Y	Yellow
GR	Grade
RoHS	AS9100C ISO 9001:2008
ASTM F593C	American Standards Measurements Specifications

Genuine OEM Parts

1.800.233.4823

www.morganolsonparts.com



ZP - ZINC PLATED

Standard	Thread	FIG.	#8	#10	1/4"	5/16	3/8"	.44	1/2"	DIA.
NYLON LOCKING NUT, HEX	32	1		<a href="#">052266</a>						
NUT "U" SPRING .115 TO .125 PANEL	10-24	10		<a href="#">40301303</a>						
NYLON LOCKING NUT, HEX ZP	24	3		<a href="#">1117307</a>						
NYLON LOCKING NUT, HEX ZP	20	3			<a href="#">1117310</a>					
NYLON LOCKING NUT, HEX ZP	18	3				<a href="#">1117838</a>				
NYLON LOCKING NUT, HEX ZP	16	3					<a href="#">1117344</a>			
LOCKING NUT HEX FLANGE .44-20 OVAL	20	4						<a href="#">1217003</a>		
NUTSERT EXPANDING NYL .275 SQ	20	5		<a href="#">40900006</a>						
NUT NON LOCKING	24	2		<a href="#">1117303</a>						
NUT NON LOCKING	20	2			<a href="#">1117312</a>					
NUT NON LOCKING	16	2				<a href="#">1117316</a>				
<b>GRADE 5</b>										
NUT STL LK LRG FLG GD5 .31-18	18	4				<a href="#">40100560</a>				
NUT STL HEX LK B ZP .5-13 GR 5	13	1							<a href="#">1117283</a>	
<b>18-8 Stainless</b>										
NUT SS LOCKING	32	3	<a href="#">1117347</a>	<a href="#">1117699</a>						
NUT SS LOCKING	24	6		<a href="#">1103354</a>						
NUT SS LOCKING	20	6			<a href="#">1117336</a>					
NUT SS NON LOCKING	20	7			<a href="#">40100044</a>					
NUT SS ACORN LOW CROWN	20	8			<a href="#">40100061</a>					
<b>Specialty</b>										
CHANNEL NUT WITH SPRING 1/4-20	20	9			<a href="#">47009988</a>					
CHANNEL NUT WITH SPRING 3/8-16	16	9					<a href="#">47001001</a>			

Genuine OEM Parts

1.800.233.4823

www.morganolsonparts.com



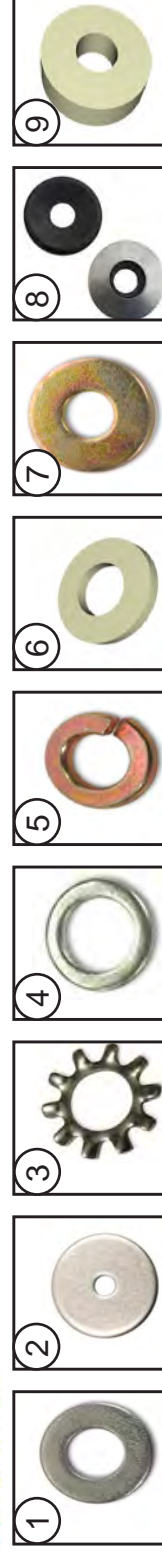


MAGNA LOCK	Length													
	Diameter	Fig.	.25	.312	.375	.438	.44	.5	.562	.625	.687	.75	.875	1"
HUCK R6-4	.188	1		<a href="#">1117084</a>	<a href="#">1117061</a>									
HUCK R8-6	.25	2		<a href="#">1117087</a>										
PROTRUDING HEAD	.25	3			<a href="#">40200304</a>		<a href="#">40200634</a>			<a href="#">40200303</a>				
FLUSH HEAD B6-4	.25	4						<a href="#">40200630</a>						
RIV AL BRAIZER HEAD	.125	5		<a href="#">1117402</a>	<a href="#">1117404</a>	<a href="#">1117405</a>		<a href="#">1117406</a>						
RIV AL BRAIZER HEAD	.188	5		<a href="#">1117351</a>	<a href="#">1117353</a>	<a href="#">1117355</a>		<a href="#">1117357</a>	<a href="#">1117359</a>	<a href="#">1117361</a>	<a href="#">1117363</a>	<a href="#">1117365</a>	<a href="#">1117368</a>	
RIV AL BRAIZER HEAD	.25	5						<a href="#">1117380</a>	<a href="#">1117385</a>	<a href="#">1117382</a>	<a href="#">1117386</a>			<a href="#">1117395</a>
RIV AL BRAIZER HEAD MOD	.25	5			<a href="#">40200213</a>		<a href="#">40200214</a>	<a href="#">1117409</a>	<a href="#">1117410</a>		<a href="#">1117408</a>		<a href="#">1117390</a>	
RIV AL FLAT HEAD	.125	7			<a href="#">85760100</a>									
RIV AL FLAT HEAD	.188	7			<a href="#">1117434</a>	<a href="#">1117436</a>		<a href="#">1117438</a>		<a href="#">1117440</a>	<a href="#">1117442</a>			
RIV AL FLAT HEAD	.25	7												
RIV AL POP	.125	10	<a href="#">1117464</a>											
RIV AL POP #10	.406	10	<a href="#">1117456</a>											
RIV AL POP AD 66 BS		10			<a href="#">1117457</a>									
RIV AL POP AD 68 BS								<a href="#">1117458</a>						
RIV AL POP AD 610 BS									<a href="#">1117459</a>					
POP AL OPEN END BLIND	.125	6			<a href="#">1117421</a>									
POP AL OPEN END BLIND	.188	6	<a href="#">1117456</a>						<a href="#">1117459</a>					
POP CLSD BLACK		8						<a href="#">40200629</a>						
SNAP FASTENER		9						<a href="#">40900925</a>						
BULB TYPE BLIND w/WASHER	.188	10			<a href="#">40200621</a>			<a href="#">40200501</a>						

Genuine OEM Parts

1.800.233.4823

www.morganolsonparts.com



Standard	I/D	FIG.	3/8	1/2	9/16	5/8	3/4"	7/8	1"	1-1/4"	1-3/4"
#10 TYPE B FLAT WASHER ZINC/ROHS	.190	1			<a href="#">1117929</a>						
#10 X 1 FENDER WASHER ZC	.190	2							<a href="#">1117950</a>		
#10 EXTERNAL TOOTH LW ZC	.190	3	<a href="#">1117971</a>								
1/4 EXTERNAL TOOTH LW ZC	1/4	3		<a href="#">1117975</a>							
1/4 TYPE B NARROW FLAT WASHER	1/4	4			<a href="#">1117941</a>						
1/4 USS FLAT WASHER ZC/ROHS	1/4	1					<a href="#">1117953</a>			<a href="#">40300918</a>	
1/4 F436 (A325) FLAT WASHER ZC/ROHS	1/4	1				<a href="#">40000047</a>			<a href="#">1117952</a>		
FLAT WASHER .060 THICK ZC/RO	1/4	1									
1/4 USS FLAT WASHER	1/4	1		<a href="#">1117885</a>							
5/16 SPLIT LOCK WASHER ZC/ROHS	5/16	5	<a href="#">1117965</a>								
5/16 USS FLAT WASHER ZC/ROHS	5/16	1						<a href="#">1117955</a>			
3/8 USS FLAT WASHER ZC/ROHS	3/8	1						<a href="#">1117957</a>			
3/8 X 1 FLAT WASHER 1/4 THK NYLON	3/8	6							<a href="#">40000038</a>		
1/2 TYPE B REGULAR FLAT WASHER	1/2	1								<a href="#">40000050</a>	
1/2 TYPE B REGULAR FLAT WASHER ZC	1/2	1								<a href="#">1117945</a>	
1/2 TYPE B WIDE FLAT WASHER ZC/ROHS	1/2	1									<a href="#">1117959</a>
<b>Grade 8</b>											
1/4 FLAT WASHER GR 8 ZC/Y	1/4	7					<a href="#">85761003</a>				
5/16 FLAT WASHER GR 8 ZC/Y	5/16	7						<a href="#">1117937</a>			
3/8 FLAT WASHER GR 8 ZC/Y	3/8	7					<a href="#">40000046</a>		<a href="#">1117947</a>		
7/16 FLAT WASHER GR 8 ZC/Y	7/16	7								<a href="#">1217002</a>	
1/2 FLAT WASHER GR 8 ZC/Y	1/2	7							<a href="#">1117943</a>	<a href="#">1217002</a>	
<b>Stainless 18-8</b>											
#10 X 5/8 BONDED SEALER 18-8 SS	.190	8		<a href="#">85761250</a>							
1/4 X 5/8 BONDED SEALER 18-8 SS	1/4	8									
3/8 X 3/4 BONDED SEALER 18-8 SS	3/8	8							<a href="#">40000054</a>		
3/8 X 1" BONDED SEALER 18-8 SS	3/8	8							<a href="#">40000055</a>		
1/4 EXTERNAL TOOTH SS LW ZC	1/4	3		<a href="#">40000510</a>							
<b>Specialty</b>											
WASHER NYLON .13 X .62 ID X 1.38OD	5/8	9									<a href="#">137147429</a>

Genuine OEM Parts

1.800.233.4823

www.morganolsonparts.com

MORGAN★OLSON.  
**QUALITY**  
ON TIME★EVERY TIME