

**MORGAN**  
**★ OLSON**

# ROUTE STAR®



## W1200

SERVICE PARTS CATALOG



**800.233.4823**

[www.morganolsonparts.com](http://www.morganolsonparts.com)

# Parts Catalog for FedEx Express W1200

Asset Numbers 276092 - 276161 (70 Units)

JV004684

## To order parts from Morgan Olson:

### Method 1

Go to our parts website, [www.morganolsonparts.com](http://www.morganolsonparts.com), and search your VIN to generate a list of replacement parts directly from your walk-in van Bill of Material.

You may filter the list of items further by selecting the category for the location of the parts. (Bumper, Hood, Glass, Rear Door, etc.)

To search by part number, description, unit number or VMRS number, use the search drop-down menu to change the search options.

### Method 2

Use this parts catalog to identify your part numbers.

Go to [www.morganolsonparts.com](http://www.morganolsonparts.com), search by part number, click on Add to Cart or click on the item for additional details, then click Add to Cart.

### Method 3

Call our Parts Department at 1-800-233-4823.

Please remember to have your VIN available and one of our customer service representatives will be happy to help you identify the replacement parts you need.

\*If you already know the part numbers of the items you want to order, use our Quick Order page to enter your part numbers and quantities, then click Add to Cart.  
<https://www.morganolsonparts.com/quick-order>

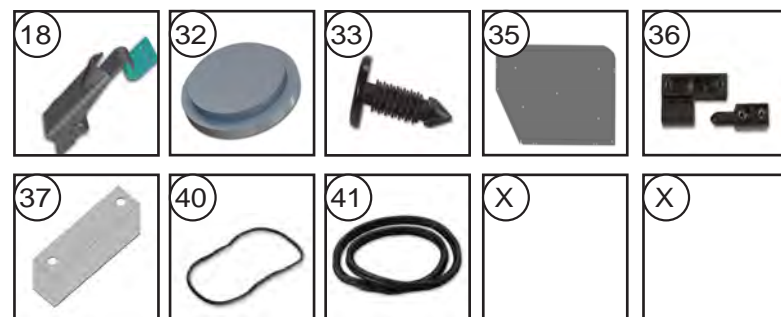
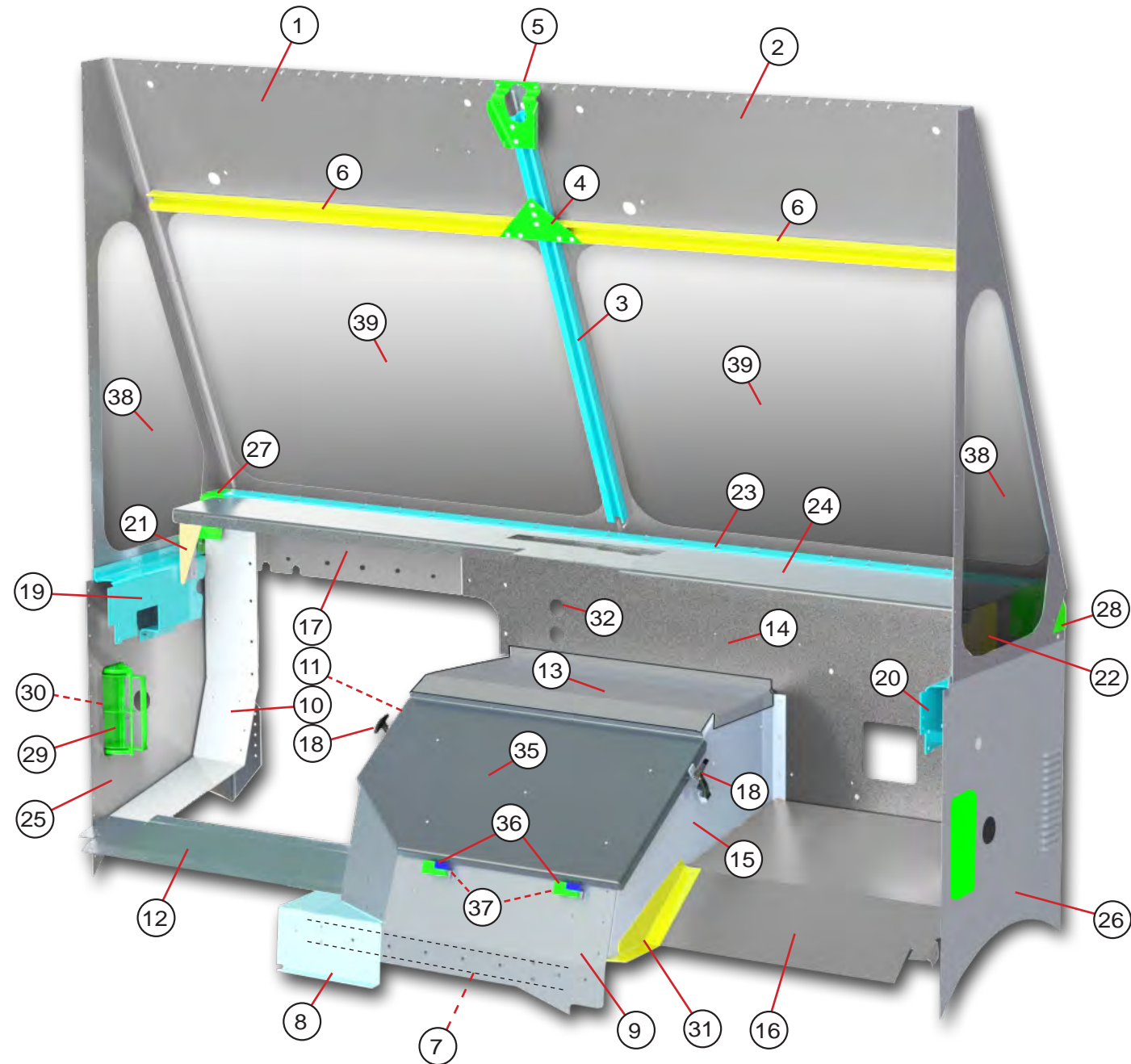
Note\* Orientation is always from the rear of the vehicle looking forward.

Roadside = Left Hand LH

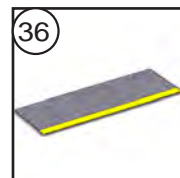
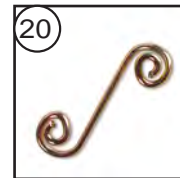
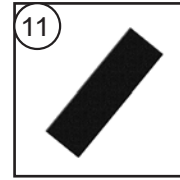
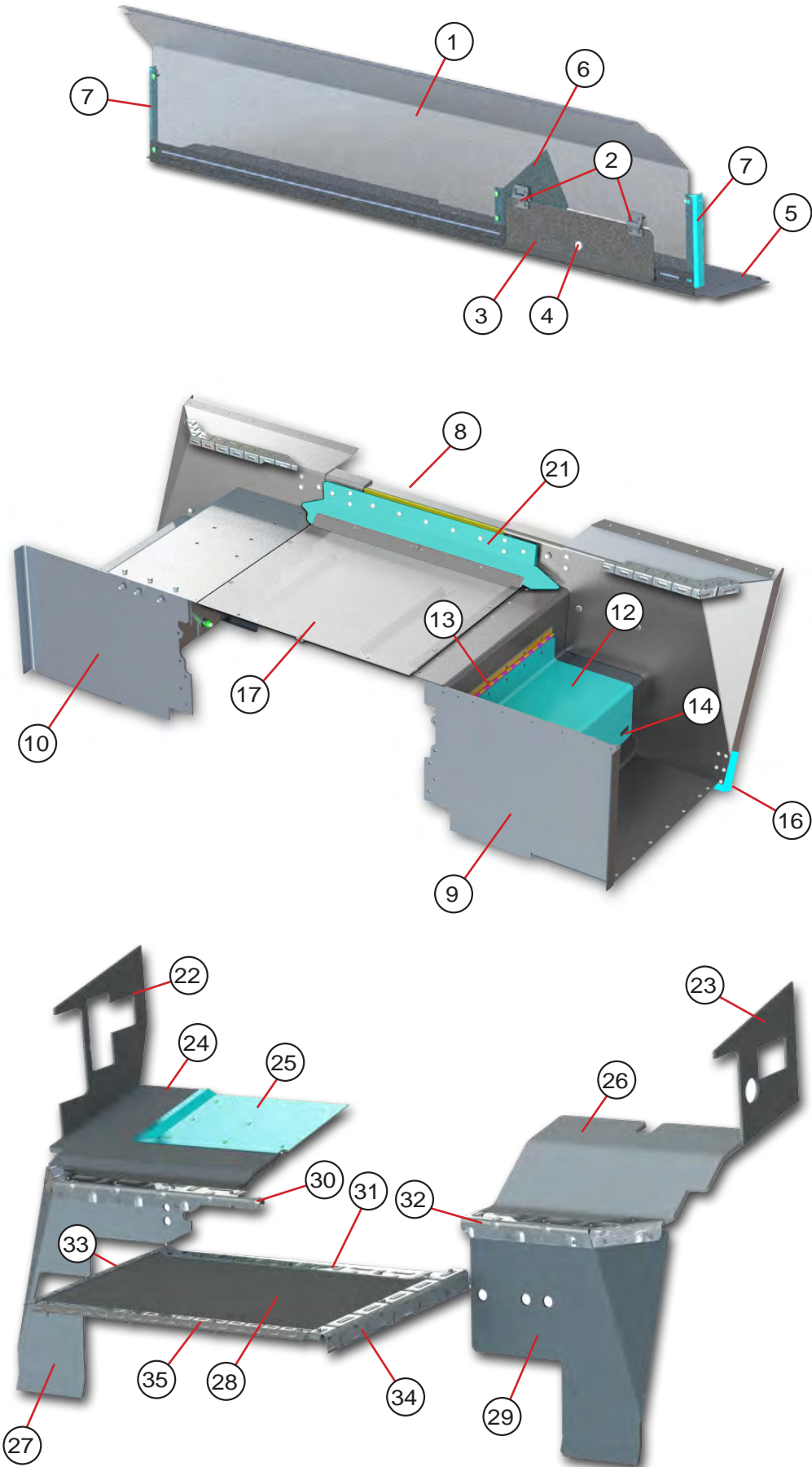
Curbside = Right Hand RH

For warranty information, please call 1-800-262-3437

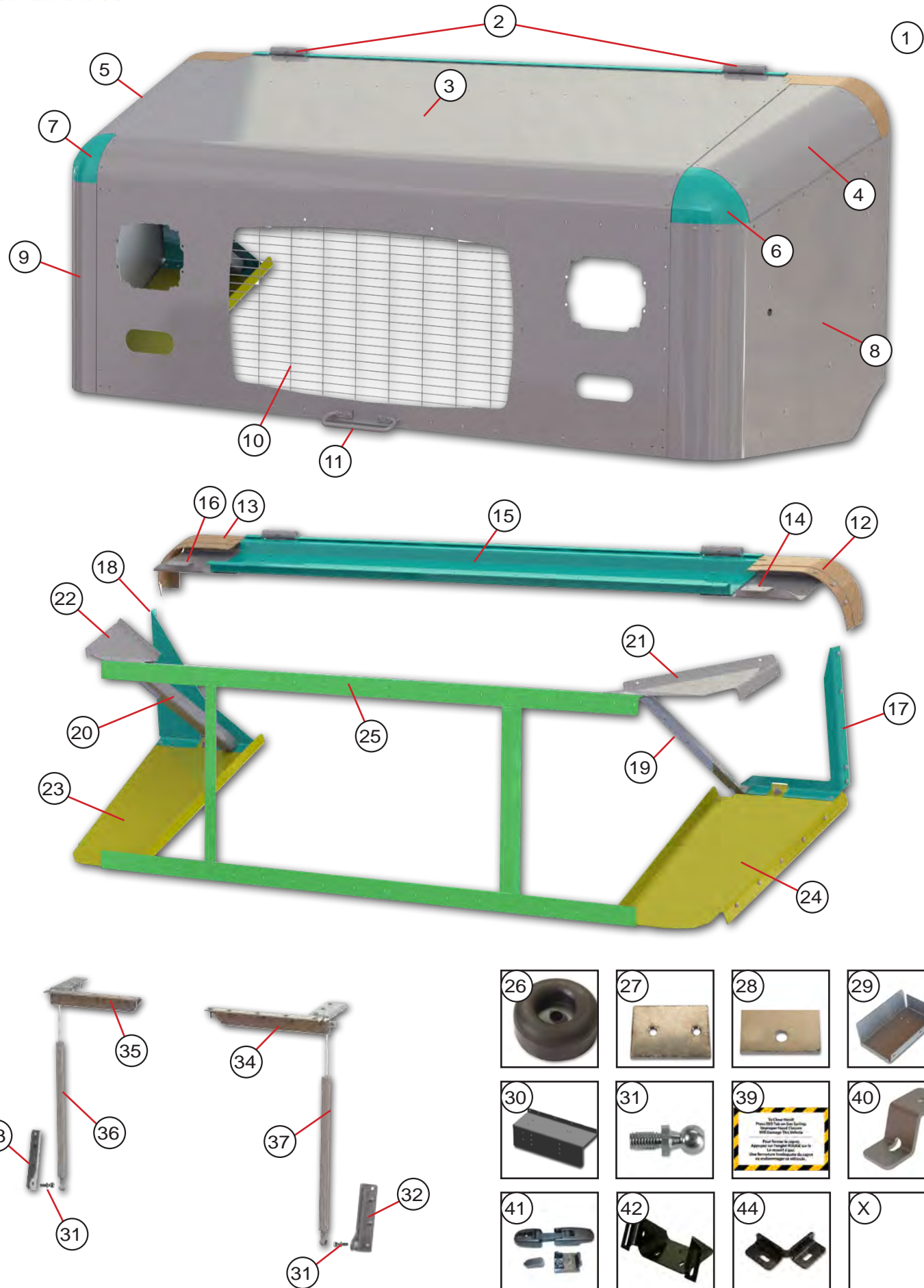
INTRODUCTION	2
TABLE OF CONTENTS	3
CAB & FRONT FRAME	4-5
WIPER COVER & STEP ASSEMBLIES	6-7
HOOD	8-9
INSTRUMENT PANEL & SEATS	10-11
HEATER	12-13
FLOOR	14
ROOF	15
SIDES	16-17
BULKHEAD	18
BACK	19
SIDE DOORS	20-21
SIDE DOOR POCKETS	22-23
REAR DOOR P/N 47005964	24-27
SHELVES	28
BUMPERS	29
MIRRORS AND WIPER ASSEMBLY	20-31
ELECTRICAL	32-33
ACCESSORIES / MISCELLANEOUS	34-36
KEYLESS SYSTEMS	37
WIRING HARNESS	38
WIRING DIAGRAMS	39-61
COMMON FASTENERS FOR WALK-IN VANS	62-66



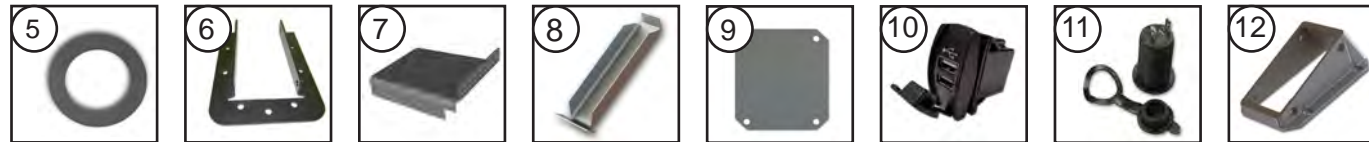
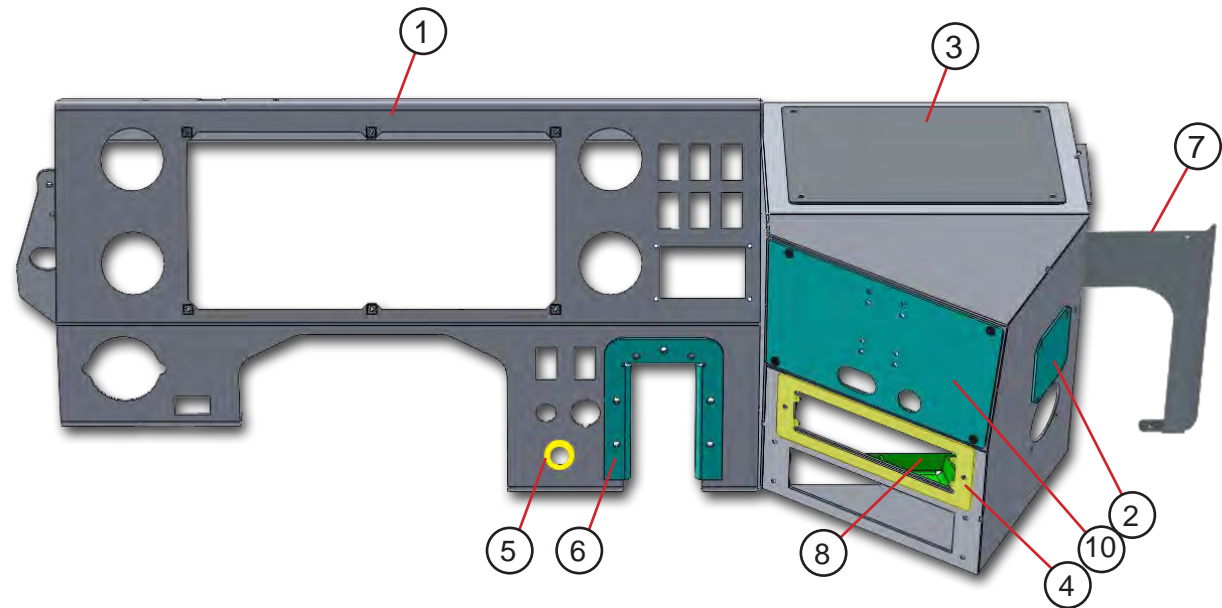
ITEM #	PART #	DESCRIPTION	QTY.	UNIT
1	<a href="#">247055403</a>	FRAME W/S AL .102X53.45X67.53 LH	1	EA
2	<a href="#">247055404</a>	FRAME W/S AL .102X53.45X67.76 RH	1	EA
3	<a href="#">077055401</a>	POST W/S CENTER AL 450540X44	1	EA
4	<a href="#">077055402</a>	GUSSET FRAME W/S AL .125X6.49X7.27	1	EA
5	<a href="#">998555329</a>	GUSSET FRAME W/S AL .125X4.6X9.19	1	EA
6	<a href="#">077055405</a>	STIFFENER WINDSHIELD AL 450540X41.75	2	EA
7	<a href="#">077050402</a>	SHIM AL .25X1.63X20.8	1	EA
8	<a href="#">187005416</a>	FILLER SADDLE AL .125X11X14.98	1	EA
9	<a href="#">190005400</a>	ENGINE BOX SADDLE AL .125X20.41X33.26	1	EA
10	<a href="#">188005402</a>	TOEBOARD DASH AL .125X4.6X44.49 LH	1	EA
11	<a href="#">190005401</a>	ENGINE BOX SIDE AL .102X19.64X30.51 LH	1	EA
12	<a href="#">188005401</a>	TOEBOARD AL .125X8.48X32.59 LH	1	EA
13	<a href="#">217005431</a>	ENGINE BOX TOP AL .125X15.86X33.58	1	EA
14	<a href="#">217005442</a>	DASH WALL @ HEATER AL .125X25.89X61.35	1	EA
15	<a href="#">190005403</a>	ENGINE BOX HOUSING AL .102X22.53X32.55 RH	1	EA
16	<a href="#">188005422</a>	DASH PANEL AL .102X28X29.44 RH	1	EA
17	<a href="#">187005413</a>	DASH WALL AL .125X8.73X27.29	1	EA
18	<a href="#">47000932</a>	DRAW LATCH ENGINE BOX	2	EA
19	<a href="#">227005405</a>	STIFFENER WINDSHIELD AL .125X13.24X17.69 LH	1	EA
20	<a href="#">228005402</a>	STIFFENER WINDSHIELD AL .125X13.24X17.69 RH	1	EA
21	<a href="#">177005411</a>	SUPPORT RAIL WINDSHIELD AL .102X8.26X9.65 LH	1	EA
22	<a href="#">177005412</a>	SUPPORT RAIL WINDSHIELD AL .102X8.26X9.65 RH	1	EA
23	<a href="#">220005402</a>	RAIL WINDSHIELD 93W AL X89	1	EA
24	<a href="#">217005432</a>	SHELF DASH AL .125X13.73X89	1	EA
25	<a href="#">238005421</a>	CAB SKIRT AL .07X27.42X30.57 LH	1	EA
26	<a href="#">238005406</a>	CAB SKIRT AL .07X27.29X30.57 RH	1	EA
27	<a href="#">8502000</a>	CORNER AL CAST W/S LH	1	EA
28	<a href="#">8502001</a>	CORNER AL CAST W/S RH	1	EA
29	<a href="#">47008545</a>	VENT AL 2WAY HINGELESS	1	EA
30	<a href="#">47008548</a>	GASKET FOR VENT #47008545	1	EA
31	<a href="#">077050406</a>	GUSSET TOEBOARD AL .125X5.33X14.88 RH	1	EA
32	<a href="#">46001404</a>	PLUG DASH WALL 1.625"	1	EA
33	<a href="#">47006630</a>	CLIP PLASTIC ROUND/HEAD 1.32-1.34	12	EA
34	<a href="#">1107270</a>	SEAL TRIM QUICK EDGE - ENGINE BOX	8	FT
35	<a href="#">198028410</a>	LID ENGINE BOX AL .102X20.05X34.03	1	EA
36	<a href="#">47007859</a>	HINGE OFFSET	2	EA
37	<a href="#">117028400</a>	SHIM ENG BOX LID	2	EA
38	<a href="#">006756400</a>	GLASS SIDE WINDOW 85H TRI 30 DEG	2	EA
39	<a href="#">96756400</a>	GLASS WINDSHIELD FRONT 31.29X44.04	2	EA
40	<a href="#">44004303</a>	WEATHERSTRIP FOR GLASS X147.5	2	EA
41	<a href="#">44004309</a>	WEATHERSTRIP FOR GLASS X86.25	2	EA



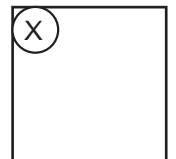
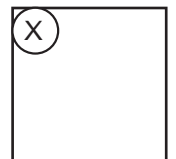
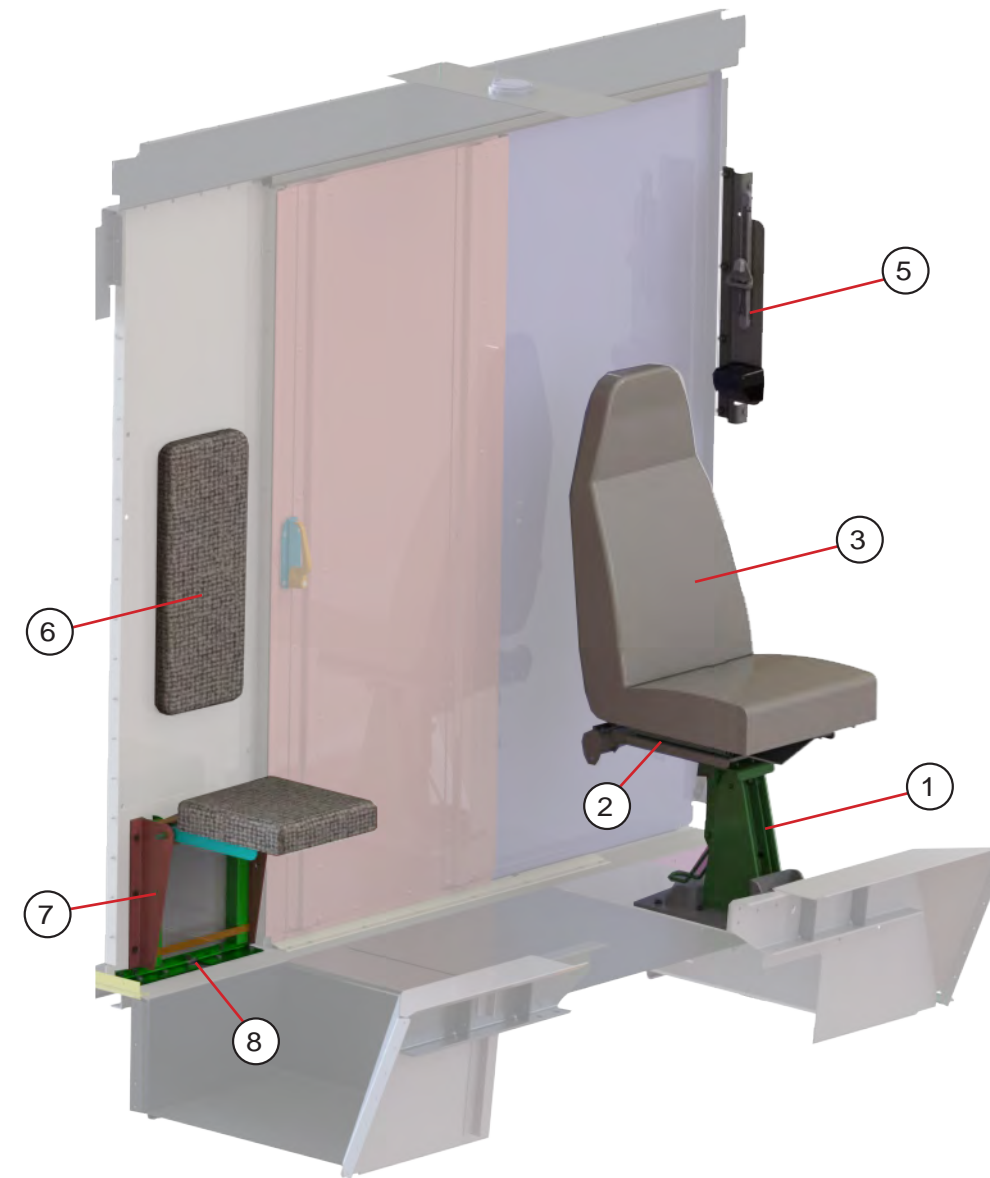
ITEM #	PART #	DESCRIPTION	QTY	UNIT
1	<a href="#">240076400</a>	COVER WIPER MOTOR AL .07X21.09X88	1	EA
2	<a href="#">47007888</a>	HINGE - COMPARTMENT DOOR (SHIM X2 <a href="#">240076405</a> )	2	EA
3	<a href="#">103076400</a>	DOOR - OVERHEAD COMPARTMENT AL .102X5.81X23	1	EA
4	<a href="#">47001500</a>	LOCK CYLINDER 1-PT W/2 KEYS	1	EA
5	<a href="#">230076405</a>	SHELF OVERHEAD AL .102X11.96X92	1	EA
6	<a href="#">230076411</a>	DIVIDER SHELF WIPER COVER AL .102X9.76X9.89	1	EA
7	<a href="#">230076406</a>	BRACKET MOUNTING AL .102X2.18X9.13	2	EA
8	<a href="#">077240400</a>	CROSSMEMBER CENTER AL 456106X41	1	EA
9	248024208	STEP ASSEMBLY 93W RH	1	EA
10	<a href="#">188024213</a>	STEP ASSEMBLY 93W LH	1	ea
11	<a href="#">96724608</a>	PAD DAMPENING VNL452000X9X20	1	EA
12	<a href="#">238024401</a>	LID BATTERY AL .125X22.25X23.82	1	EA
13	<a href="#">187024401</a>	HINGE AL .075X1.12X1.75X20	1	EA
14	<a href="#">45503042</a>	LATCH COMPRESSION RECESSED	2	EA
NS	<a href="#">107024416</a>	PLATE FILLER STEP AL .125X4.03X4.87LH	1	EA
16	<a href="#">107024415</a>	PLATE FILLER STEP AL .125X4.03X4.87RH	1	EA
17	<a href="#">207024202</a>	TRANSVERSE FLOOR ASSEMBLY AL FCC	1	EA
18	<a href="#">40900080</a>	STUD	8	EA
19	<a href="#">40900081</a>	GROMMET HALF	10	EA
20	<a href="#">40900082</a>	SPRING	8	EA
21	<a href="#">208024412</a>	ANGLE TRIM/FLOOR AL .102X6.49X38.7	1	EA
22	44000408	MAT CAB SKIRT 17.44X19.77 LH	1	EA
23	44000409	MAT CAB SKIRT 15.45X17.44 RH	1	EA
24	44000405	FLOOR MAT TOEBOARD LH	1	EA
25	247019400	PLATE SCUFFF ALD .125X15.07X20.99	1	EA
26	44000407	FLOOR MAT TOEBOARD RH	1	EA
27	<a href="#">44000410</a>	FLOOR MAT STEP RISER LH	1	EA
28	44000406	FLOOR MAT CAB 25.89X38.11	1	EA
29	44000411	FLOOR MAT STEP RISER RH	2	EA
30	247019418	TRIM TOEBOARD ALD .125X7.93X37.34 LH	1	EA
31	247019408	TRIM FLOOR ALD .125X3.8X36.77	1	EA
32	247019419	TRIM TOEBOARD ALD .125X7.94X24.97 RH	1	EA
33	247019421	TRIM FLOOR TRANSVERSE ALD .125X1.78X25 LH		EA
34	<a href="#">247019406</a>	TRIM FLOOR TRANSVERSE ALD .125X3.94X27 RH	1	EA
35	247019420	TRIM FLOOR TRANSVERSE ALD.125X2.03X35.28 @ O-LINE	1	EA
36	45400809	PLATE STEP FIBERGLASS .17X9.75X17.63 LH LOWER	1	EA
36	<a href="#">45400813</a>	PLATE STEP FIBERGLASS .17X7.19X23 RH LOWER	1	EA
37	45400807	PLATE STEP FIBERGLASS .17X9.72X19.75 RH UPPER	1	EA
37	45400808	PLATE STEP FIBERGLASS .17X7.38X17.63 LH UPPER	1	EA



ITEM #	PART #	DESCRIPTION	QTY.	UNIT
1	<a href="#">227017006</a>	HOOD INSTALLATION TLT 93W	1	EA
2	<a href="#">47007899</a>	HINGE COMPLETE ASSEMBLY	2	EA
3	<a href="#">167017401</a>	PANEL HOOD AL	1	EA
4	<a href="#">167017404</a>	COWL HOOD AL LH	1	EA
5	<a href="#">167017405</a>	COWL HOOD AL RH	1	EA
6	<a href="#">45100057</a>	CORNER CASTING KNEE COWL FRONT LH	1	EA
7	<a href="#">45100058</a>	CORNER CASTING KNEE COWL FRONT RH	1	EA
8	<a href="#">167017406</a>	SKIRT HOOD AL LH	1	EA
9	<a href="#">167017407</a>	SKIRT HOOD AL RH	1	EA
10	<a href="#">45700101</a>	GRILLE WIRE MESH 20.5X38.81	1	EA
11	<a href="#">90187300</a>	GRAB HANDLE .5DIAX15.7	1	EA
12	<a href="#">45100060</a>	CAP AL COWL END AFT LH	1	EA
13	<a href="#">45100061</a>	CAP AL COWL END AFT RH	1	EA
14	<a href="#">167017414</a>	STIFFENER HOOD AL LH	1	EA
15	<a href="#">167017413</a>	STIFFENER HOOD AL X68.62	1	EA
16	<a href="#">167017415</a>	STIFFENER HOOD AL RH	1	EA
17	<a href="#">167017416</a>	SPLASH PAN SUPPORT AL LH	1	EA
18	<a href="#">167017417</a>	SPLASH PAN SUPPORT AL RH	1	EA
19	<a href="#">167017420</a>	STRAP AL LH	1	EA
20	<a href="#">167017421</a>	STRAP AL RH	1	EA
21	<a href="#">167017402</a>	GUSSET CORNER AL LH	1	EA
22	<a href="#">167017403</a>	GUSSET CORNER AL RH	1	EA
23	<a href="#">167017419</a>	SPLASH PAN HOOD AL LH	1	EA
24	<a href="#">167017418</a>	SPLASH PAN HOOD AL RH	1	EA
25	<a href="#">217017200</a>	SUPPORT ASSEMBLY GRILLE 93W	1	EA
26	<a href="#">44002004</a>	BUBBER BUMPER HOOD REST	2	EA
27	<a href="#">91617304</a>	TAP PLATE HOOD HINGE AL	2	EA
28	<a href="#">96717312</a>	SHIM AL	2	EA
29	<a href="#">077260404</a>	SPLASH PAN AL LH	1	EA
30	<a href="#">218026402</a>	SPLASH PAN AL RH	1	EA
31	<a href="#">40900019</a>	STUD BALL	4	EA
32	<a href="#">124016403</a>	BRACKET HOOD LOWER AL LH	1	EA
33	<a href="#">124016404</a>	BRACKET HOOD LOWER AL RH	1	EA
34	<a href="#">124016401</a>	BRACKET GAS SPRING AL LH	1	EA
35	<a href="#">124016402</a>	BRACKET GAS SPRING AL RH	1	EA
36	<a href="#">47006116</a>	GAS SPRING WITH LOCK 150LB 28/16.5 IGS	1	EA
37	<a href="#">47006117</a>	GAS SPRING W/O LOCK 150LB 28/16.5 IGS	1	EA
39	<a href="#">43001025</a>	HOOD PROPER INSTRUCTION LABEL (ENG/FR)	1	EA
40	<a href="#">227017400</a>	BRACKET REINFORCEMENT (HOOD HINGE - OPTIONAL)	2	EA
41	<a href="#">47000614</a>	HOOD LATCH	2	EA
43	<a href="#">077150400</a>	SUPPORT BRACKET HOOD - STEEL	2	EA
44	<a href="#">96713300</a>	ANGLE HOOD REST STEEL	2	EA



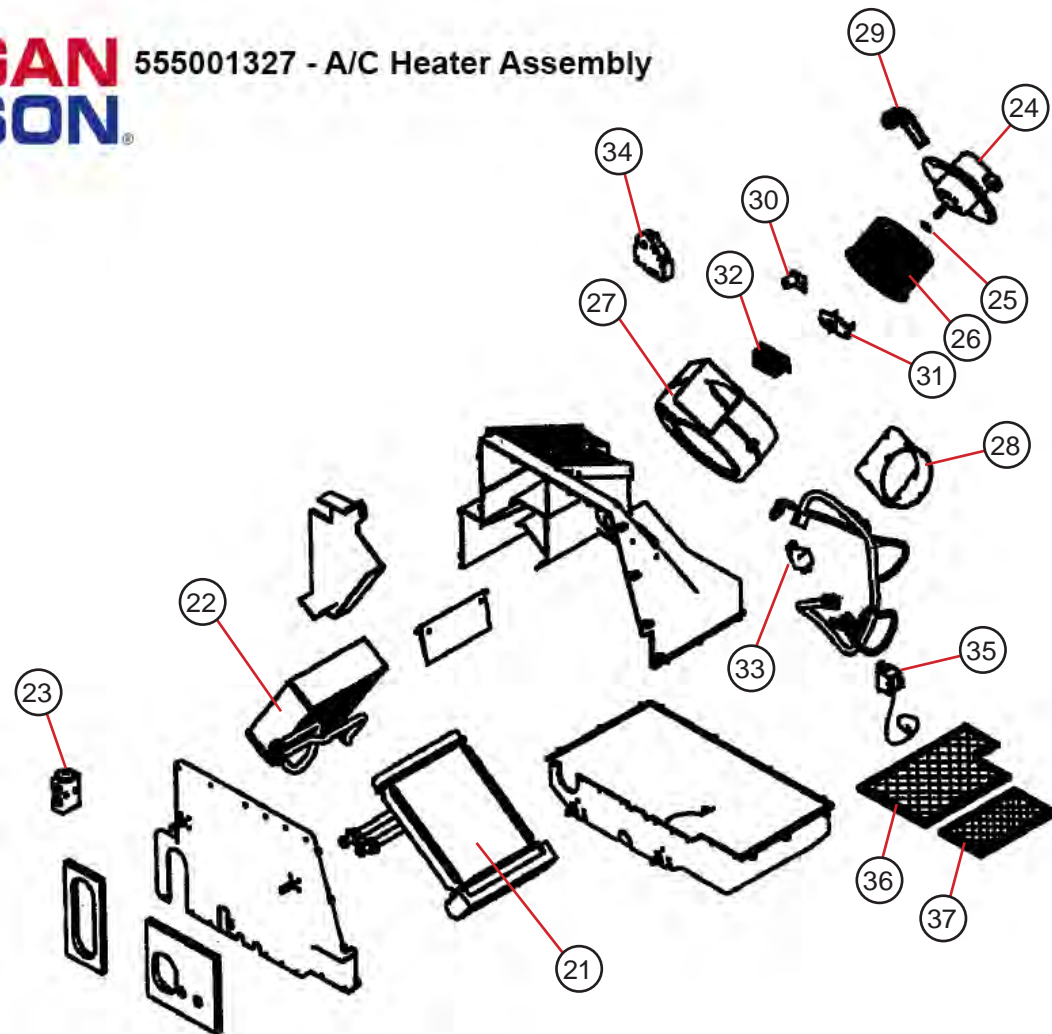
ITEM #	PART #	DESCRIPTION	QTY	UNIT
1	<a href="#">247027201</a>	INSTRUMENT PANEL - WELDED ASSEMBLY	1	EA
2	<a href="#">180027410</a>	PLATE COVER HVAC AL	1	EA
3	<a href="#">128027421</a>	PLATE ACCESS COVER RADIO AL	1	EA
4	<a href="#">247027401</a>	PLATE KEYLESS MODULE AL	1	EA
5	<a href="#">006327209</a>	SPACER - IGNITION SWITCH	1	EA
6	<a href="#">002027423</a>	BRACKET SHIFTER STEEL 11GA	1	EA
7	<a href="#">237027421</a>	BRACKET MOUNTING AL	1	EA
8	<a href="#">215027409</a>	BRACKET I/P AL	1	EA
9	<a href="#">198027403</a>	I/P PANEL DSP AL	1	EA
10	<a href="#">46026432</a>	POWER PORT USB 5VDC	2	EA
11	<a href="#">46026378</a>	RECEPTICLE POWER 12VDC	1	EA
12	<a href="#">47000861</a>	SHIFTER MOUNTING WEDGE 17 DEGREE	1	EA



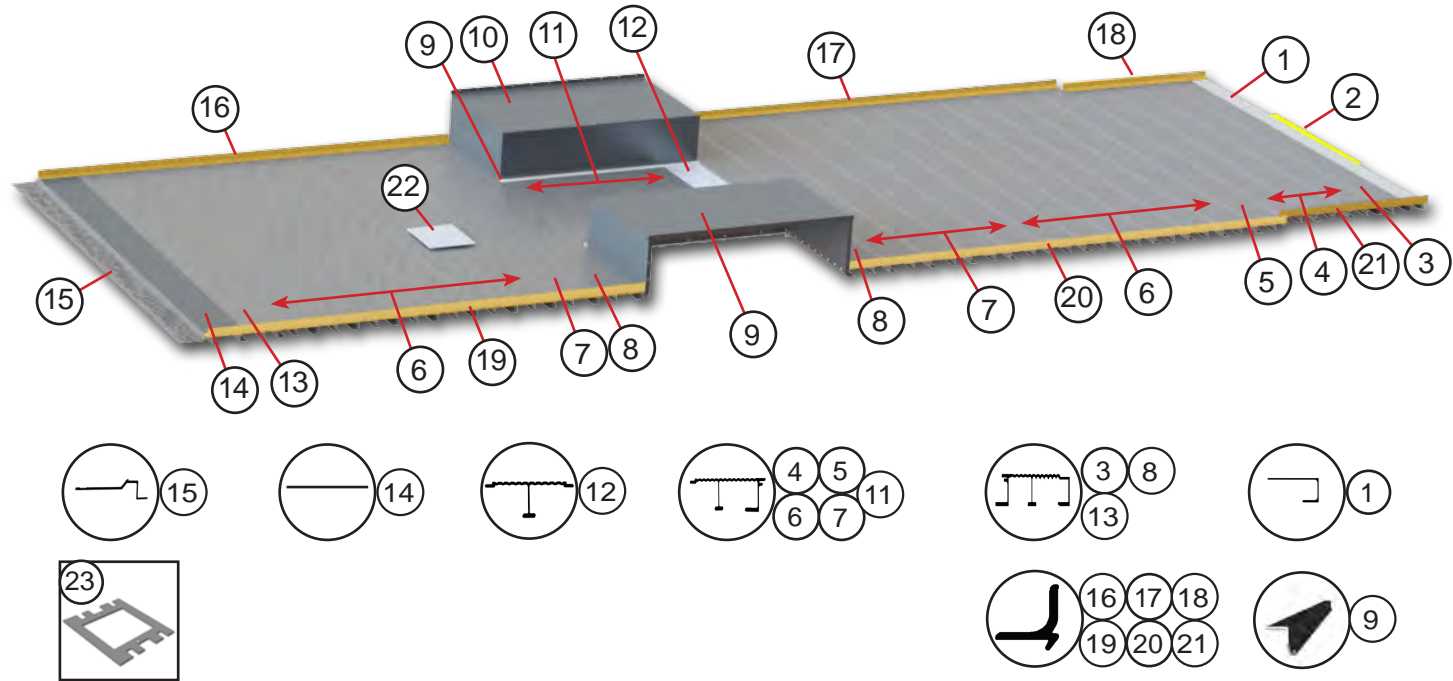
ITEM #	PART #	DESCRIPTION	QTY.	UNIT
1	<a href="#">47012658</a>	SEAT SOCKET ASSEMBLY 3POINT NTLT	1	EA
2	<a href="#">47004332</a>	PEDESTAL SEAT UPPER 3 POINT/IN FCC	1	EA
3	<a href="#">47004653</a>	DRIVER SEAT CLOTH BLACK LUMBAR	1	EA
4	<a href="#">47007912</a>	SEAT BELT ORANGE W/O TETHERS	1	EA
5	<a href="#">005754400</a>	BRACKET ANCHOR STL 7GAX7.24X25.75	1	EA
6	<a href="#">47002708</a>	SEAT HEAD BACK/REST BLACK CLOTH	1	EA
7	<a href="#">47002707</a>	SEAT JUMP FOLDING BLACK CLOTH	1	EA
8	<a href="#">91614300</a>	ANGLE FLOOR AL .188X2.84X19.1	1	EA
9	<a href="#">47004366</a>	SEAT BELT W/BOOT BLKH 3PNT OG R	1	EA



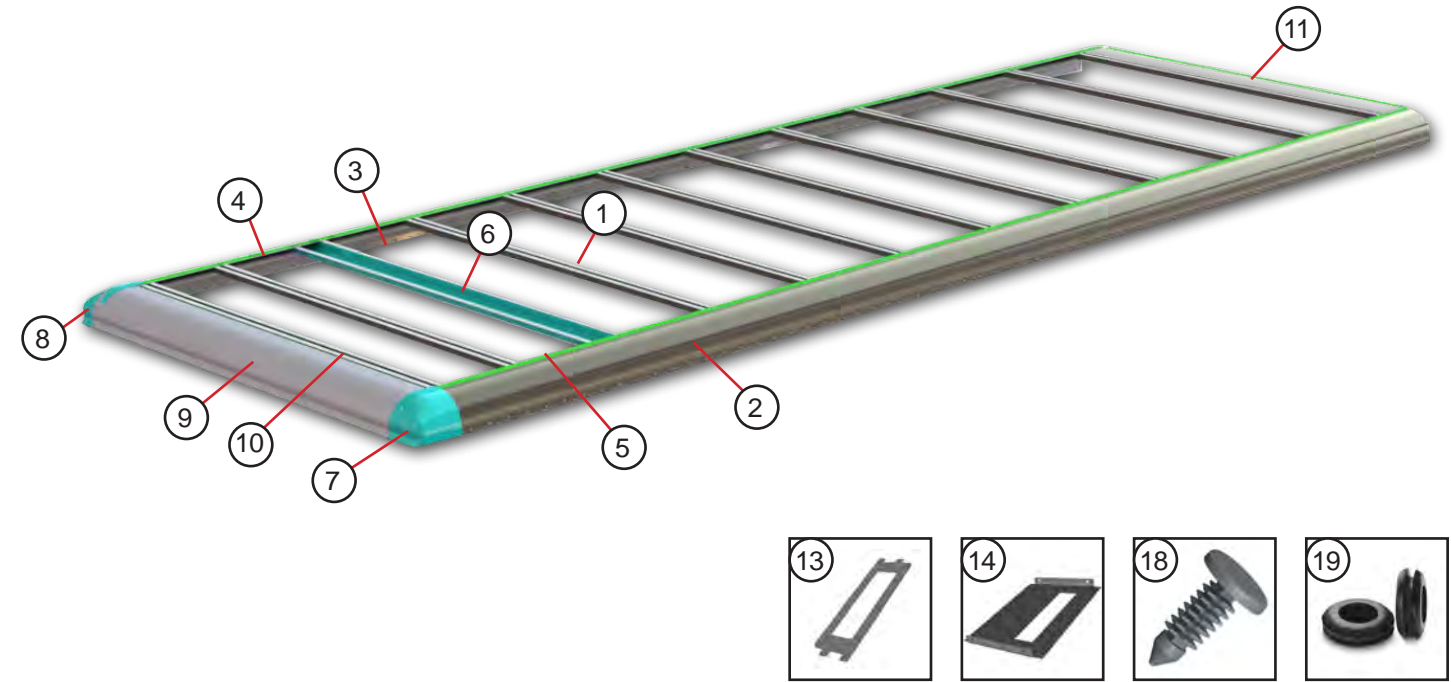
555001327 - A/C Heater Assembly



ITEM #	PART #	DESCRIPTION	QTY	UNIT
1	<a href="#">555001327</a>	HEATER A/C ASSEMBLY	1	EA
2	<a href="#">555001425</a>	PANEL CONTROL HVAC	1	EA
3	<a href="#">555002057</a>	WATER VALVE	1	EA
4	<a href="#">220063400</a>	BRACKET - HEATER CONTROL (WATER VALVE)	1	EA
5	<a href="#">555001723</a>	DEFROSTER DUCT RH METAL	1	EA
6	<a href="#">555001724</a>	DEFROSTER DUCT LH METAL	1	EA
7	<a href="#">093080400</a>	PLATE - HOLD DOWN (DEFROSTER DUCTS)	4	EA
8	<a href="#">555001715</a>	LOUVER BALL	7	EA
9	<a href="#">555001523</a>	HOSE DEFROSTER 2.5 X 16"	2	EA
9	<a href="#">555001524</a>	HOSE DEFROSTER 2.5 X 30"	3	EA
9	<a href="#">555001525</a>	HOSE DEFROSTER 2.5 X 38"	2	EA
10	<a href="#">555001533</a>	HOSE BLOWER 5 X 7.5" (HEATER TO PLENUM)	1	EA
11	<a href="#">090080401</a>	DUCT - FOOT DUMP (MOUNTING PLATE <a href="#">005780402</a> )	1	EA
12	<a href="#">47008017</a>	CONNECTOR STRAIGHT .62ID BLACK NYLON	3	EA
13	<a href="#">1107072</a>	GROMMET	1	EA
14	<a href="#">555002109</a>	DRAIN RESISTOR ASSEMBLY	1	EA
15	<a href="#">555001326</a>	DUCT - HVAC HEATER PLENUM	1	EA
16	<a href="#">47008690</a>	HOSE HEATER FORMED 9.25"	2	EA
17	<a href="#">46026312</a>	TIE WRAP 21"	2	EA
18	<a href="#">217005437</a>	COVER PLATE - FRESH AIR INTAKE	1	EA
19	<a href="#">217005433</a>	BRACKET - FRESH AIR INTAKE	1	EA
20	<a href="#">45700120</a>	FILTER KIT - FRESH AIR INTAKE (FILTER ONLY P/N <a href="#">45700119</a> )	1	EA
21	<a href="#">47008760</a>	HEATER COIL W/ GASKETS & CLAMP	1	EA
22	<a href="#">47008763</a>	EVAPORATOR COIL ASSEMBLY	1	EA
23	<a href="#">47008138</a>	EXPANSION VALVE	1	EA
24	<a href="#">46032339</a>	BLOWER MOTOR	1	EA
25	<a href="#">47008799</a>	BLOWER SHAFT RETAINER CLIP	1	EA
26	<a href="#">47008769</a>	BLOWER WHEEL	1	EA
27	<a href="#">47008754</a>	BLOWER HOUSING	1	EA
28	<a href="#">47008755</a>	BLOWER ADAPTOR	1	EA
29	<a href="#">47008730</a>	VENT TUBE	1	EA
30	<a href="#">47008731</a>	VENT TUBE ADAPTOR	1	EA
31	<a href="#">47008460</a>	RESISTOR	1	EA
32	<a href="#">47008732</a>	RESISTOR CAGE	1	EA
33	<a href="#">47008716</a>	RELAY	1	EA
34	<a href="#">47008705</a>	SERVO MOTOR	1	EA
35	<a href="#">47008615</a>	THERMOSTAT	1	EA
36	<a href="#">47008624</a>	FILTER	1	EA
37	<a href="#">47008625</a>	FILTER	1	EA
NS	<a href="#">990002285</a>	A/C PARTS KIT - SEE PARTS BREAKDOWN ONLINE	1	EA

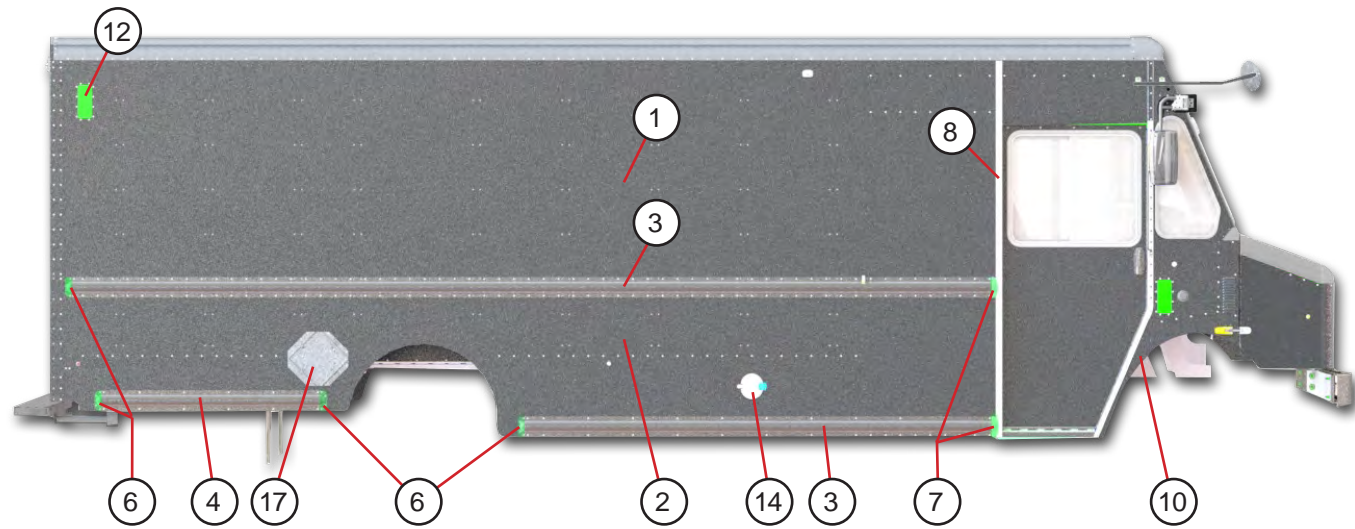


ITEM #	PART #	DESCRIPTION	QTY	UNIT
1	<a href="#">215031417</a>	BEAM @ O-LINE AL X86.38	1	EA
2	<a href="#">125031401</a>	ANGLE @ O-LINE AL X33.88	1	EA
3	<a href="#">45058301</a>	BEAM FLOOR RIB FEM/LAP AL 7X87.25 215031400	1	EA
4	<a href="#">45058402</a>	BEAM FLOOR RIB FEM/LAP AL 8X87.25 215031401	3	EA
5	<a href="#">45058401</a>	BEAM FLOOR RIB FEM/LAP AL 8X92.25 215031402	1	EA
6	<a href="#">45058401</a>	BEAM FLOOR RIB FEM/LAP AL 8X92.25 215031406	13	EA
7	<a href="#">45058603</a>	BEAM FLOOR RIB FEM/LAP AL 9X92.25 215031403	5	EA
8	<a href="#">45058701</a>	BEAM FLOOR RIB FEM/LAP AL 8.5X92.25 215031404	2	EA
9	<a href="#">95869302</a>	ANGLE WHEEL BOX ATTACH AL 450018X44	2	EA
10	<a href="#">215031211</a>	WHEEL BOX ASSEMBLY 93W 10X44 DW	2	EA
11	<a href="#">45058611</a>	BBEAM FLOOR RIB M-M AL 9X40.44 190032401	4	EA
12	<a href="#">45058502</a>	BEAM FLOOR RIB M-M AL 8X40.44 190032400	1	EA
13	<a href="#">45058303</a>	BEAM FLOOR RIB FEM/LAP AL 7X92.25 215031405	1	EA
14	220036407	PLATE FILLER REAR AL .125X7.47X92.38	1	EA
15	215031407	DROP SILL FLOOR AL X92.69	1	EA
16	215031515	ANGLE FLOOR/SIDE AL X88.18 LH	1	EA
17	215031511	ANGLE FLOOR/SIDE AL X99.75 LH	1	EA
18	220031410	ANGLE FLOOR/SIDE AL X36.25 LH	1	EA
19	215031516	ANGLE FLOOR/SIDE AL X88.18 RH	1	EA
20	215031512	ANGLE FLOOR/SIDE AL X99.75 RH	1	EA
21	215031500	ANGLE FLOOR/SIDE AL X36.25 RH	1	EA
22	128012413	ACCESS DOOR AL .125X9.61X11.62	2	EA
23	128012413	SUPPORT PLATE - ACCESS DOOR AL.125X12.72X17.22	2	EA

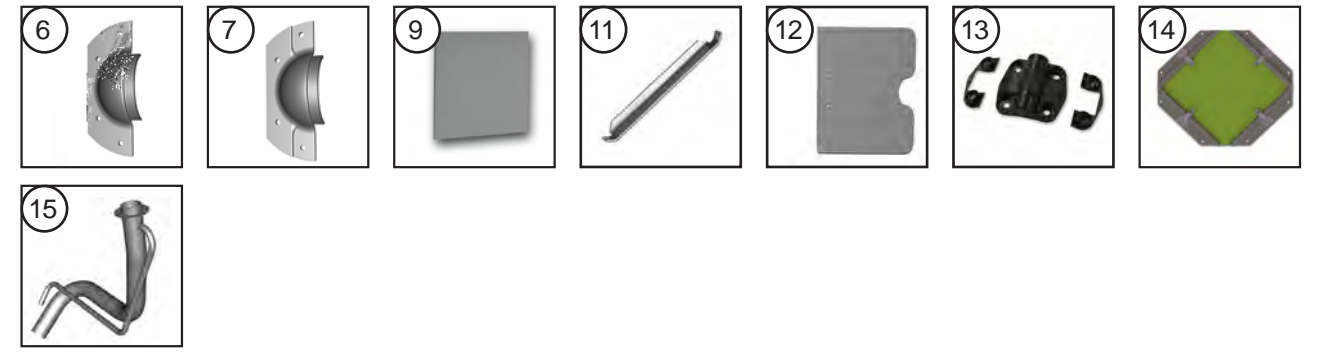
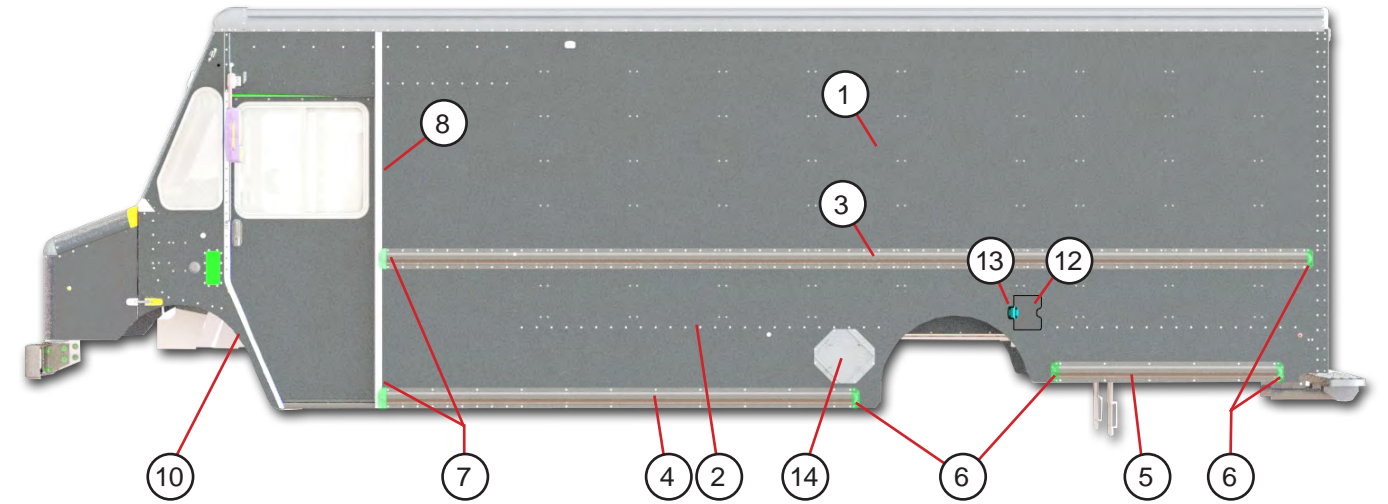


ITEM #	PART #	DESCRIPTION	QTY.	UNIT
1	<a href="#">45601603</a>	ROOF BOW STEEL 16GA	13	EA
2	217010424	RAIL ROOF 22' LH	1	EA
3	217010425	RAIL ROOF 22' RH	1	EA
4	217010426	INTERLOCK ROOF RAIL AL LH	1	EA
5	217010427	INTERLOCK ROOF RAIL AL RH	1	EA
6	<a href="#">118010402</a>	ROOF BOW @ O/LINE	1	EA
7	<a href="#">077100400</a>	CORNER CASTING AL RF LH	1	EA
8	<a href="#">077100401</a>	CORNER CASTING AL RF RH	1	EA
9	<a href="#">083010400</a>	NOSE ROOF 93W AL	1	EA
10	<a href="#">89310506</a>	INTERLOCK ROOF NOSE AL	1	EA
11	<a href="#">89310507</a>	INTERLOCK ROOF REAR AL	1	EA
NS	<a href="#">45200847</a>	ROOF SKIN RISC	25.98	FT
13	<a href="#">100092401</a>	BRACKET DOME LAMP CARGO	3	EA
14	<a href="#">090091403</a>	BRACKET DOME LAMP CAB	1	EA
NS	<a href="#">1109001</a>	INSULATION FBG 1" X 48" X 200 FT	8	FT
NS	<a href="#">155011400</a>	LINER ROOF EMBOSSED 37 X 82" (CAB)	1	EA
NS	<a href="#">100011400</a>	POLYESTER FILLER 4 X 22.5"	4	EA
18	<a href="#">47006610</a>	PLASTIC CLIP	30	EA
19	<a href="#">44000052</a>	GROMMET 1X.125X1.3125	3	EA
19	<a href="#">1107109</a>	GROMMET 0.375X0.125X.0625	1	EA



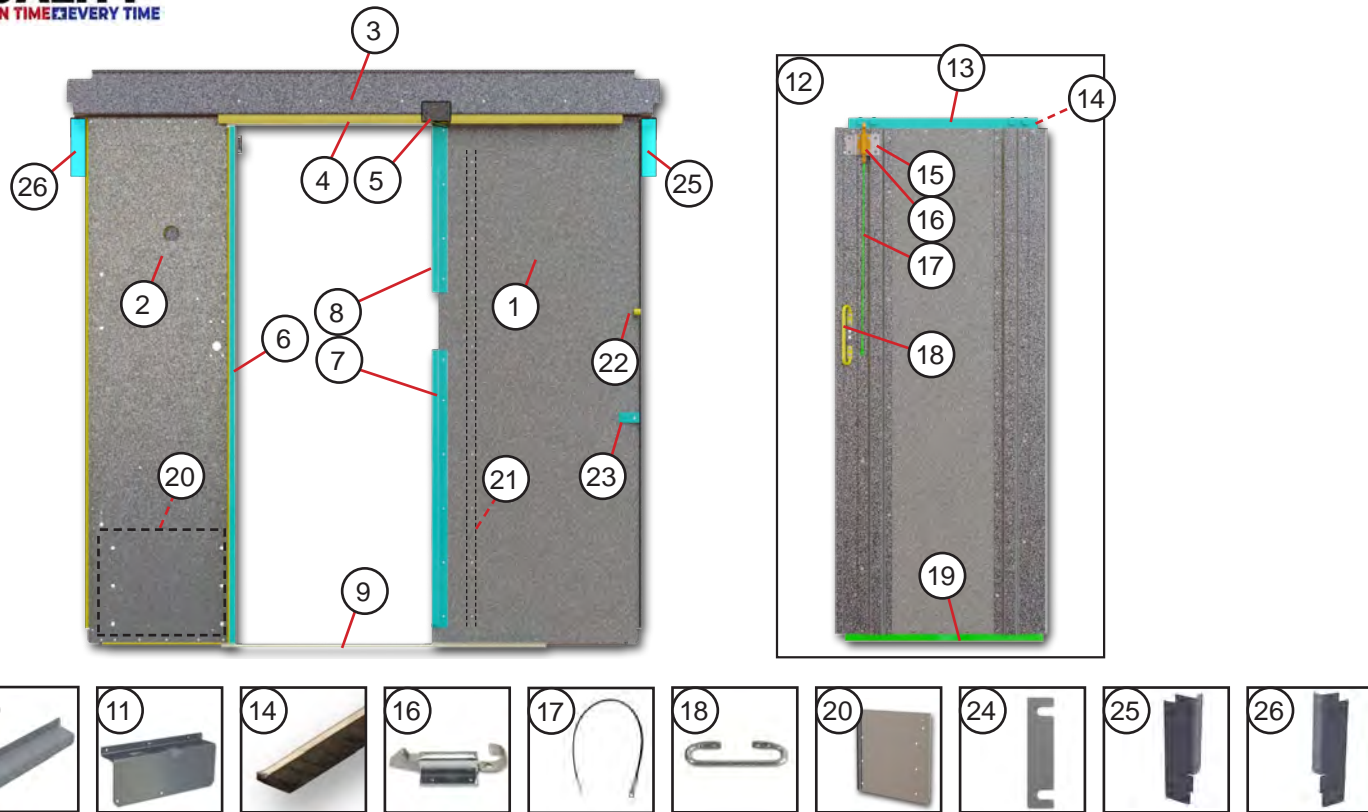


ITEM #	PART #	DESCRIPTION	QTY	UNIT
1	248038415	SIDE PANEL UPPER AL LH	1	EA
2	248037432	SIDE PANEL LOWER AL RH	1	EA
3	210039405	RUB RAIL AL 450002X265.38	1	EA
4	<a href="#">237039526</a>	RUB RAIL AL 450002X125.32	1	EA
5	237039520	RUB RAIL AL 450002X80.32	1	EA
6	<a href="#">1100799</a>	END CAP REAR AL CASTING	4	EA
7	<a href="#">1100800</a>	END CAP FORWARD AL CASTING	2	EA
8	<a href="#">107400401</a>	B/POST AL 450274X101.12 RH	1	EA
9	<a href="#">7600165</a>	PLATE FILLER AL .125X3.19X2.5	1	EA
10	<a href="#">177022401</a>	SKIRT TAIL AL RH	1	EA
11	<a href="#">001744400</a>	STRAP FLOOR TO SIDE AL	4	EA
12	<a href="#">47008545</a>	VENT AL 2WAY HINGELESS	1	EA
13	<a href="#">47008548</a>	GASKET FOR VENT #47008545	1	EA
14	<a href="#">095012410</a>	DOOR DEF TANK AL	1	EA
15	<a href="#">47007888</a>	HINGE - PLASTIC BLACK	1	EA
16	<a href="#">098012401</a>	CLIP - DOOR HANDLE AL	1	EA
17	<a href="#">43000514</a>	PLACARD - FLIP SIGN SOL CANADA	1	EA
18	<a href="#">1107102</a>	RUBBER PLUG	1	EA



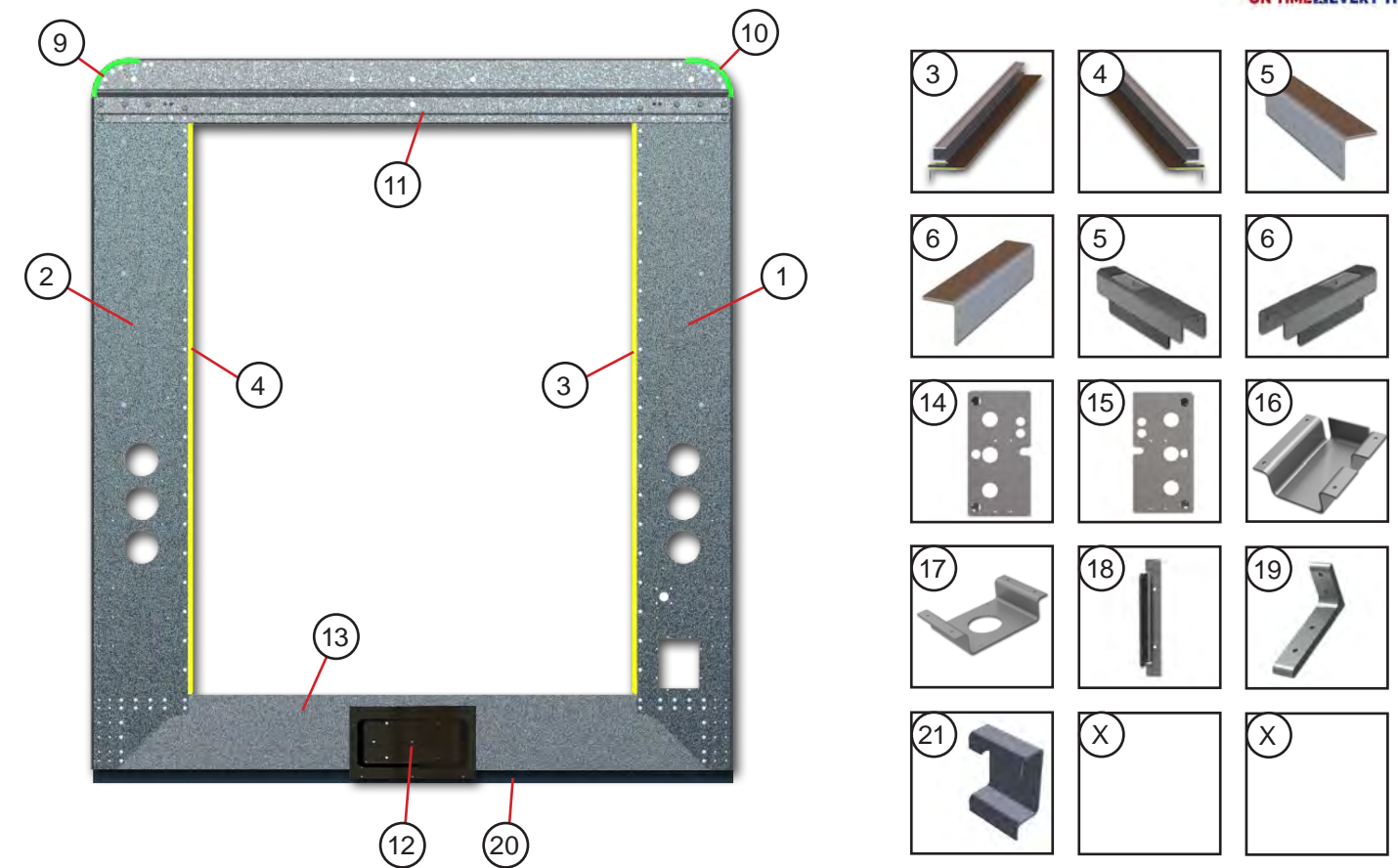
ITEM #	PART #	DESCRIPTION	QTY	UNIT
1	248038414	SIDE PANEL UPPER AL RH	1	EA
2	248037431	SIDE PANEL LOWER AL LH	1	EA
3	210039405	RUB RAIL AL 450002X265.38	1	EA
4	<a href="#">237039526</a>	RUB RAIL AL 450002X125.32	1	EA
5	237039520	RUB RAIL AL 450002X80.23	1	EA
6	<a href="#">1100799</a>	END CAP REAR AL CASTING	4	EA
7	<a href="#">1100800</a>	END CAP FORWARD AL CASTING	2	EA
8	<a href="#">107400400</a>	B/POST AL 450274X101.12 LH	1	EA
9	<a href="#">7600165</a>	PLATE FILLER AL .125X3.19X2.5	1	EA
10	<a href="#">177022400</a>	SKIRT TAIL AL LH	5	EA
11	<a href="#">001744400</a>	STRAP FLOOR TO SIDE AL	4	EA
12	<a href="#">117012400</a>	DOOR - FUEL FILL AL	1	EA
13	<a href="#">47007888</a>	HINGE - FUEL FILL DOOR	1	EA
14	<a href="#">43000514</a>	PLACARD - FLIP SIGN SOL CANADA	1	EA
15	<a href="#">47007037</a>	FUEL FILL EXTENSION	1	EA

### Bulkhead

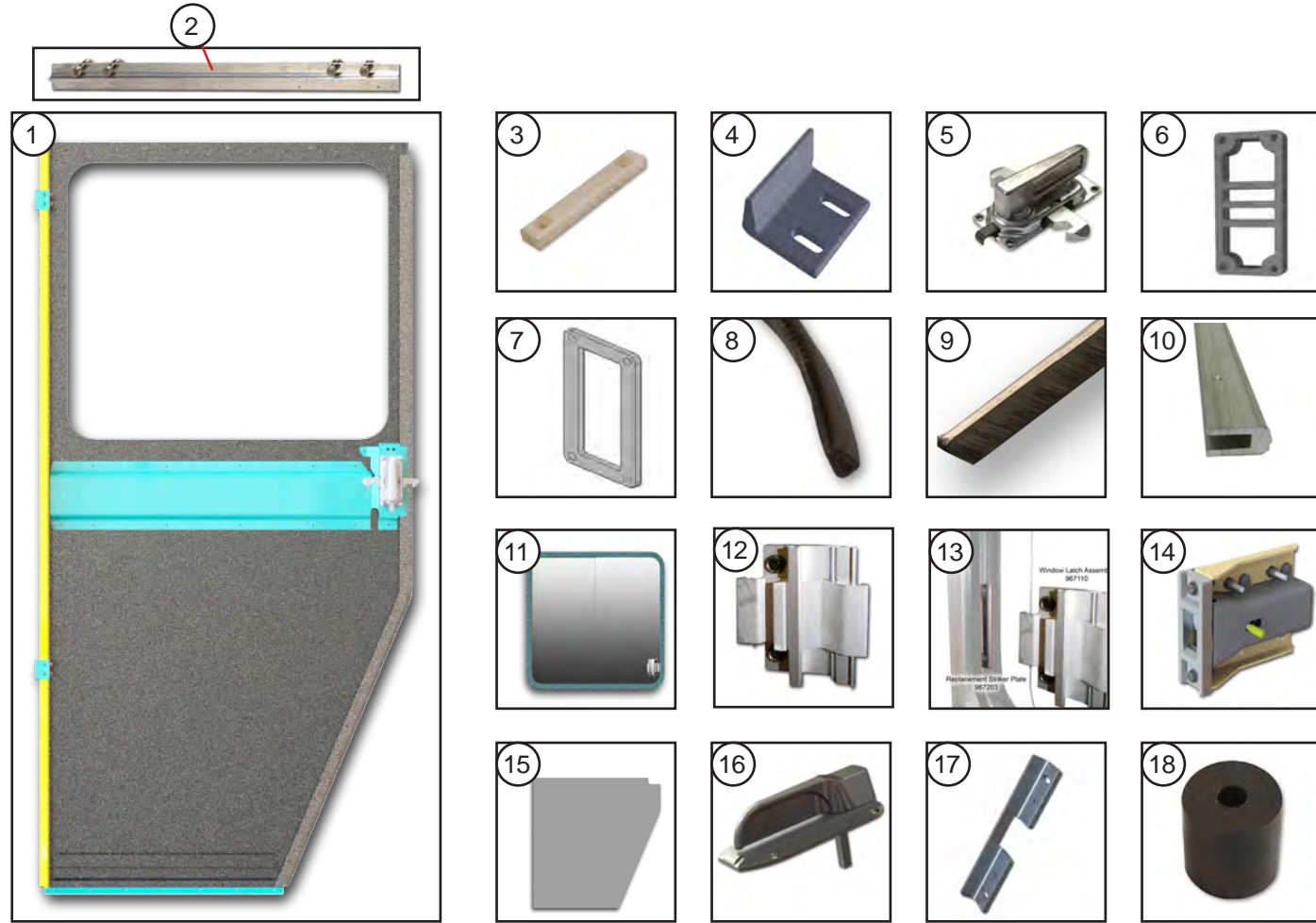


ITEM #	PART #	DESCRIPTION	QTY	UNIT
1	247070413	PANEL BULKHEAD AL LH	1	EA
2	<a href="#">247070402</a>	PANEL BULKHEAD AL RH	1	EA
3	247070416	HEADER BULKHEAD ZEE AL	1	EA
4	<a href="#">088070256</a>	DOOR TRACK ASSEMBLY	1	EA
5	<a href="#">98770202</a>	STRIKER ASSEMBLY WELDED	1	EA
6	<a href="#">167070409</a>	JAMP BULKHEAD DOOR AL X76.44	1	EA
7	<a href="#">247070404</a>	CHANNEL BULKHEAD AL X41.09	1	EA
8	<a href="#">207070410</a>	CHANNEL BULKHEAD AL X24.56	1	EA
9	<a href="#">96770316</a>	GUIDE DOOR FLOOR AL X47.88	1	EA
10	<a href="#">247070405</a>	GUARD WIRING BULKHEAD AL	1	EA
11	<a href="#">247070406</a>	GUARD WIRING BULKHEAD AL	1	EA
12	<a href="#">247070202</a>	DOOR ASSEMBLY - BULKHEAD	1	EA
13	<a href="#">088070257</a>	HANGER ASSEMBLY BULKHEAD DOOR	1	EA
14	<a href="#">44008050</a>	SEAL BRUSH TYPE B 1X83.9	1	EA
15	<a href="#">92537309</a>	MOUNTING PLATE LATCH AL	1	EA
16	<a href="#">1113046</a>	LATCH FINGER PULL	1	EA
17	<a href="#">1113600</a>	CABLE BULKHEAD DOOR BLACK VINYL 29"	1	EA
18	<a href="#">90187300</a>	GRAB HANDLE AL .5DIA2.13X9	1	EA
19	<a href="#">217070400</a>	GUIDE DOOR STRIP X29.5	1	EA
20	<a href="#">167070406</a>	PLATE REINFORCEMENT JUMP SEAT AL	1	EA
21	<a href="#">083069404</a>	STIFFENER JUMP SEAT AL X72.12	1	EA
22	<a href="#">44002016</a>	BUMPER RUBBER	1	EA
23	<a href="#">45200208</a>	DOOR CHOCK NYLON	1	EA
24	<a href="#">207070412</a>	SHIM BULKHEAD DOOR AL .125X.63X2.63	1	EA
25	<a href="#">167070407</a>	PLATE FILLER BULKHEAD LH	1	EA
26	<a href="#">167070408</a>	PLATE FILLER BULKHEAD RH	1	EA

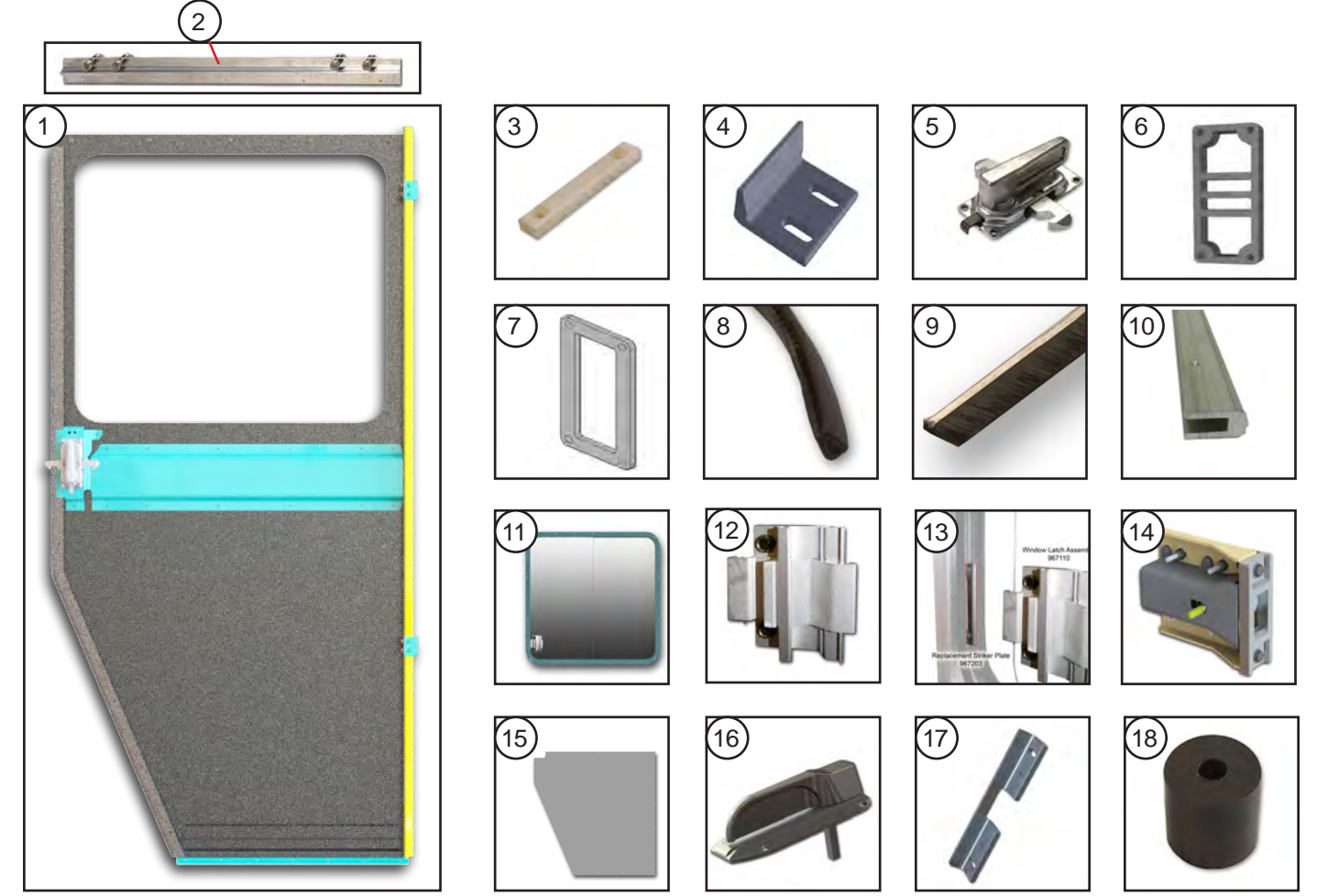
### Back



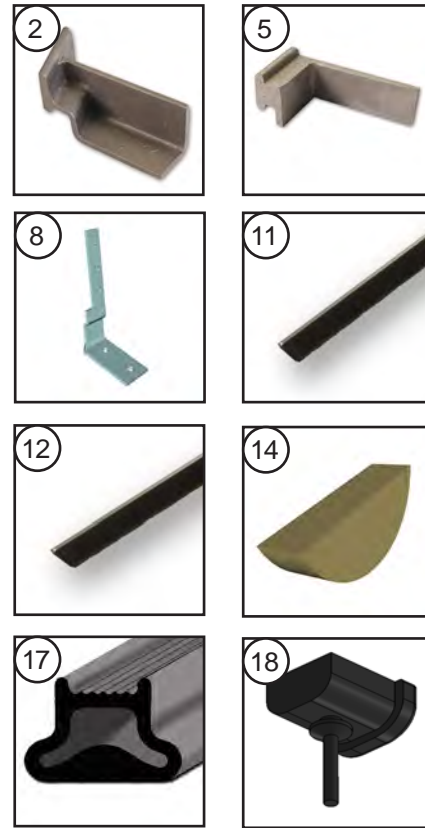
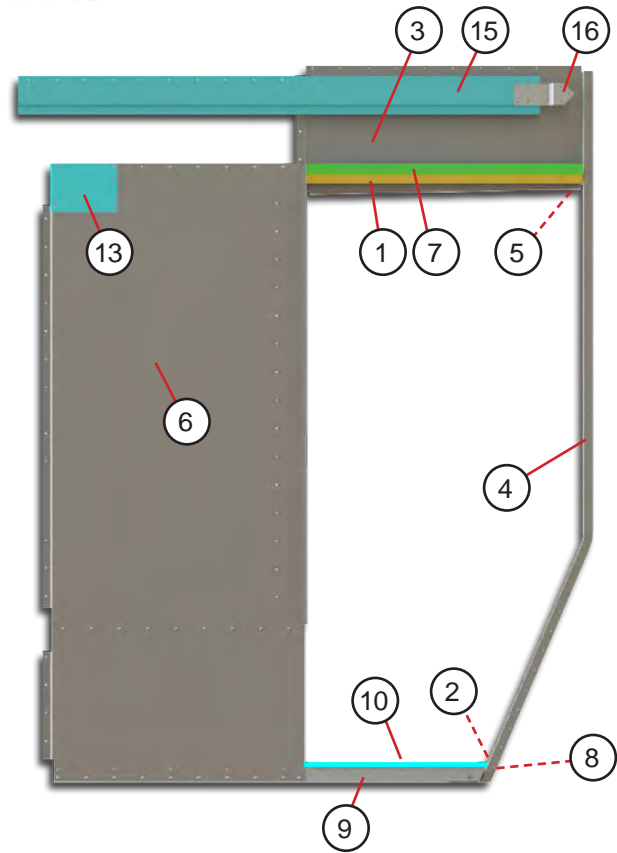
ITEM #	PART #	DESCRIPTION	QTY.	UNIT
1	240053412	PANEL BACK AL .102X15.25X90.03 RH	1	EA
2	240053411	PANEL BACK AL .102X15.25X90.03 LH	1	EA
3	<a href="#">247053201</a>	DOOR POST / JAMB ASSEMBLY RH	1	EA
4	247130200	DOOR POST / JAMB ASSEMBLY LH	1	EA
5	<a href="#">210053420</a>	REINFORCEMENT INNER AL 450176X35 RH	1	EA
6	<a href="#">210053419</a>	REINFORCEMENT INNER AL 450176X35 LH	1	EA
7	<a href="#">210053411</a>	BRACKET TRANSOM REAR LH AL	1	EA
8	210053412	BRACKET TRANSOM REAR RH AL	1	EA
9	<a href="#">45100098</a>	CORNER CASTING LH	1	EA
10	<a href="#">45100099</a>	CORNER CASTING RH	1	EA
11	<a href="#">240053413</a>	TRANSOM REAR AL	1	EA
12	<a href="#">140092400</a>	LICENSE PLATE BOX	1	EA
13	240053414	SILL REAR 93W AL	1	EA
14	<a href="#">160053408</a>	LAMP GUARD LH AL LH	1	EA
15	<a href="#">160053409</a>	LAMP GUARD RH AL RH	1	EA
16	<a href="#">227081403</a>	GUARD KEYLESS MODULE REAR AL	1	EA
17	<a href="#">227081401</a>	BRACKET KEYLESS BOX AL	1	EA
18	<a href="#">227081402</a>	BRACKET KEYLESS BOX AL	2	EA
19	<a href="#">90650309</a>	CLIP ANGLE AL	2	EA
20	<a href="#">240135403</a>	PLATE FILLER BACK AL	1	EA
21	<a href="#">7400214</a>	BRACKET DOOR SPACER AL	1	EA



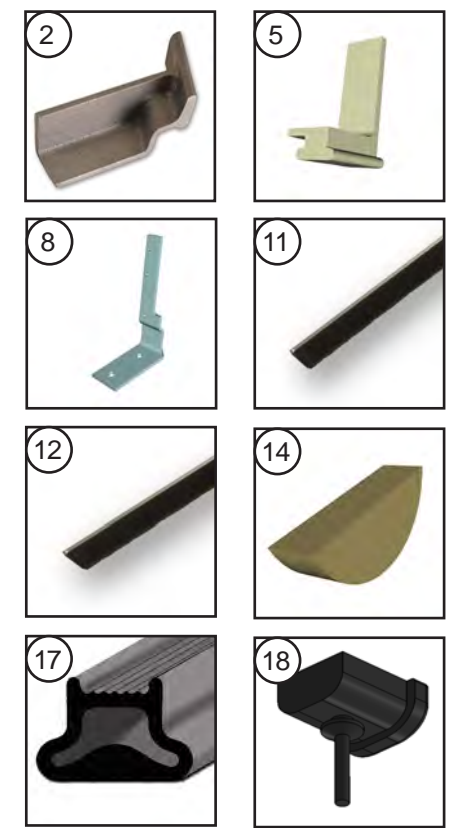
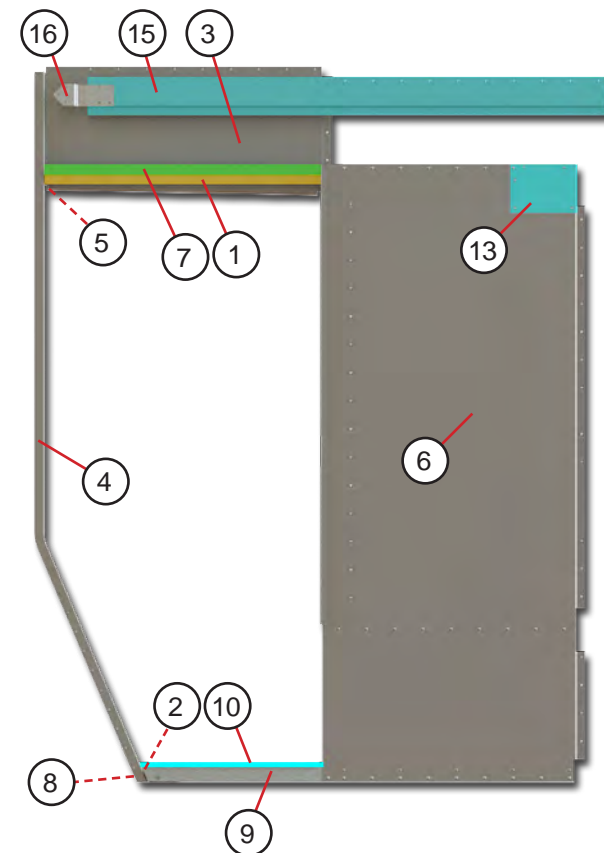
ITEM #	PART #	DESCRIPTION	QTY	UNIT
1	<a href="#">210060201</a>	DOOR SIDE ASSEMBLY LH	1	EA
2	<a href="#">96760203</a>	HANGER ASSEMBLY W/ BEARINGS	1	EA
3	<a href="#">45200206</a>	SPACER ANTI RATTLE NYLON	2	EA
4	<a href="#">45300377</a>	CLIP ANTI RATTLE D/PKT	2	EA
5	<a href="#">45100168</a>	LOCK MECHINISM INNER	1	EA
6	<a href="#">087181</a>	SPACER LOCK .54 DP ZN	1	EA
7	<a href="#">157060404</a>	SPACER LOCK AL .188X2.5X5.5	1	EA
8	<a href="#">44000260</a>	TRIM QUICK EDGE	1	FT
9	<a href="#">44008050</a>	SEAL BRUSH TYPE B 1X83.9	1	EA
9	<a href="#">44004060</a>	SEAL BRUSH TYPE C 1.5X82	1	EA
10	<a href="#">210060408</a>	WEAR STRIP AL 450008X26 LH/RH	1	EA
11	<a href="#">45800134</a>	WINDOW SLIDING LH	1	EA
12	<a href="#">967110</a>	REPLACEMENT WINDOW LATCH	-	EA
13	<a href="#">967203</a>	REPLACEMENT STRIKER PLATE FOR WINDOW LATCH	-	EA
14	<a href="#">46029041</a>	LOCK ASSEMBLY KEYLESS ENTRY LH	1	EA
15	<a href="#">118060403</a>	PANEL LOWER DOOR AL .07X39.4X40.02 RH	1	EA
16	<a href="#">47000688</a>	DOOR HANDLE PADDLE TYPE NON LOCKING	1	EA
17	<a href="#">198041400</a>	STRIKER REAR	1	EA
18	<a href="#">44002011</a>	RUBBER BUMPER	1	EA



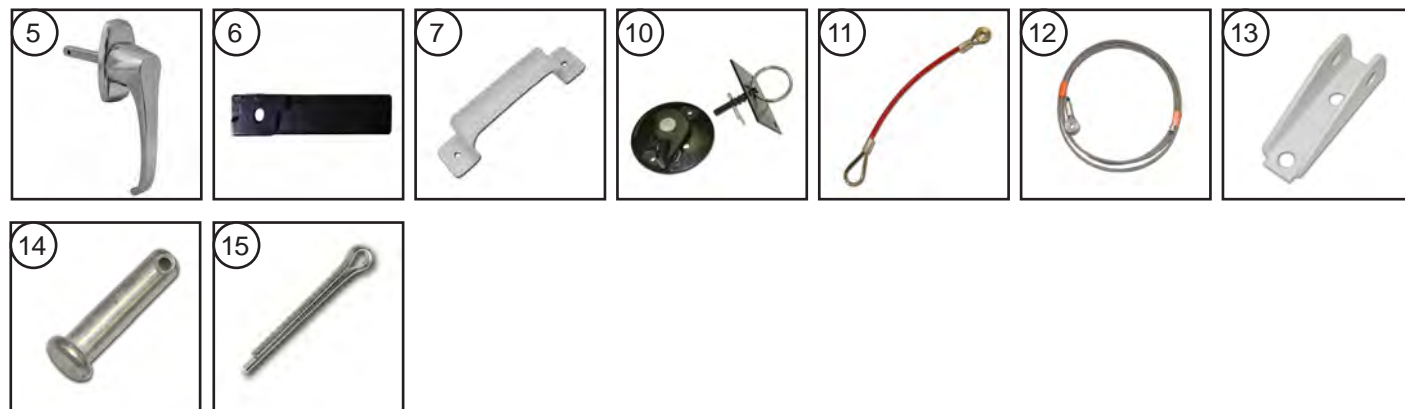
ITEM #	PART #	DESCRIPTION	QTY	UNIT
1	<a href="#">210060202</a>	DOOR SIDE ASSEMBLY LH	1	EA
2	<a href="#">96760203</a>	HANGER ASSEMBLY W/ BEARINGS	1	EA
3	<a href="#">45200206</a>	SPACER ANTI RATTLE NYLON	2	EA
4	<a href="#">45300377</a>	CLIP ANTI RATTLE D/PKT	2	EA
5	<a href="#">45100168</a>	LOCK MECHINISM INNER	1	EA
6	<a href="#">087181</a>	SPACER LOCK .54 DP ZN	1	EA
7	<a href="#">157060404</a>	SPACER LOCK AL .188X2.5X5.5	1	EA
8	<a href="#">44000260</a>	TRIM QUICK EDGE	1	FT
9	<a href="#">44008050</a>	SEAL BRUSH TYPE B 1X83.9	1	EA
9	<a href="#">44004060</a>	SEAL BRUSH TYPE C 1.5X82	1	EA
10	<a href="#">210060408</a>	WEAR STRIP AL 450008X26 LH/RH	1	EA
11	<a href="#">45800135</a>	WINDOW SLIDING RH	1	EA
12	<a href="#">967110</a>	REPLACEMENT WINDOW LATCH	-	EA
13	<a href="#">967203</a>	REPLACEMENT STRIKER PLATE FOR WINDOW LATCH	-	EA
14	<a href="#">46029042</a>	LOCK ASSEMBLY KEYLESS ENTRY RH	1	EA
15	<a href="#">118060403</a>	PANEL LOWER DOOR AL .07X39.4X40.02 RH	1	EA
16	<a href="#">47000688</a>	DOOR HANDLE PADDLE TYPE NON LOCKING	1	EA
17	<a href="#">198041400</a>	STRIKER REAR	1	EA
18	<a href="#">44002011</a>	RUBBER BUMPER	1	EA



ITEM #	PART #	DESCRIPTION	QTY.	UNIT
1	<a href="#">96741202</a>	TRACK ASSEMBLY UPPER	1	EA
2	<a href="#">45100104</a>	AL CASTING LOWER @ DOOR POST LH	1	EA
3	<a href="#">177041402</a>	PANEL HEADER AL .102X19.49X42.36 LH	1	EA
4	<a href="#">157041400</a>	DOOR POST FORWARD AL 450294X102.43 LH	1	EA
5	<a href="#">45100048</a>	GUSSET AL CASTING HEADER CHANNEL TO D/PST LH	1	EA
6	230041413	PANEL DOOR POCKET AL LH	1	EA
7	<a href="#">210041402</a>	CHANNEL HEADER AL 450256X75 LH	1	EA
8	<a href="#">001741407</a>	REINFORCEMENT A POST AL .125X1.53X8.04 LH	1	EA
9	<a href="#">210041404</a>	STEP NOSE AL 450247X61.29 LH	1	EA
10	<a href="#">47002766</a>	GUIDE NYLON MOULDED LOWER X51.44	1	EA
11	<a href="#">44004060</a>	SEAL BRUSH TYPE C 1.5X82	1	EA
12	<a href="#">44008050</a>	SEAL BRUSH TYPE B 1X83.9	1	EA
13	<a href="#">96741354</a>	COVER DOOR POCKET AL .055X6.75X12.16 LH	1	EA
14	<a href="#">45900001</a>	PLUG WOOD @ RUB RAIL .75X1.12X2.9	1	EA
15	<a href="#">083042400</a>	STIFFENER HEADER AL 450328X74 LH	1	EA
16	<a href="#">96742302</a>	CLIP MOUNTING	1	EA
17	<a href="#">44004104</a>	DOOR SEAL RUBBER X89.25	1	EA
18	<a href="#">44002024</a>	PLUG - HEADER DRIP EDGE	1	EA

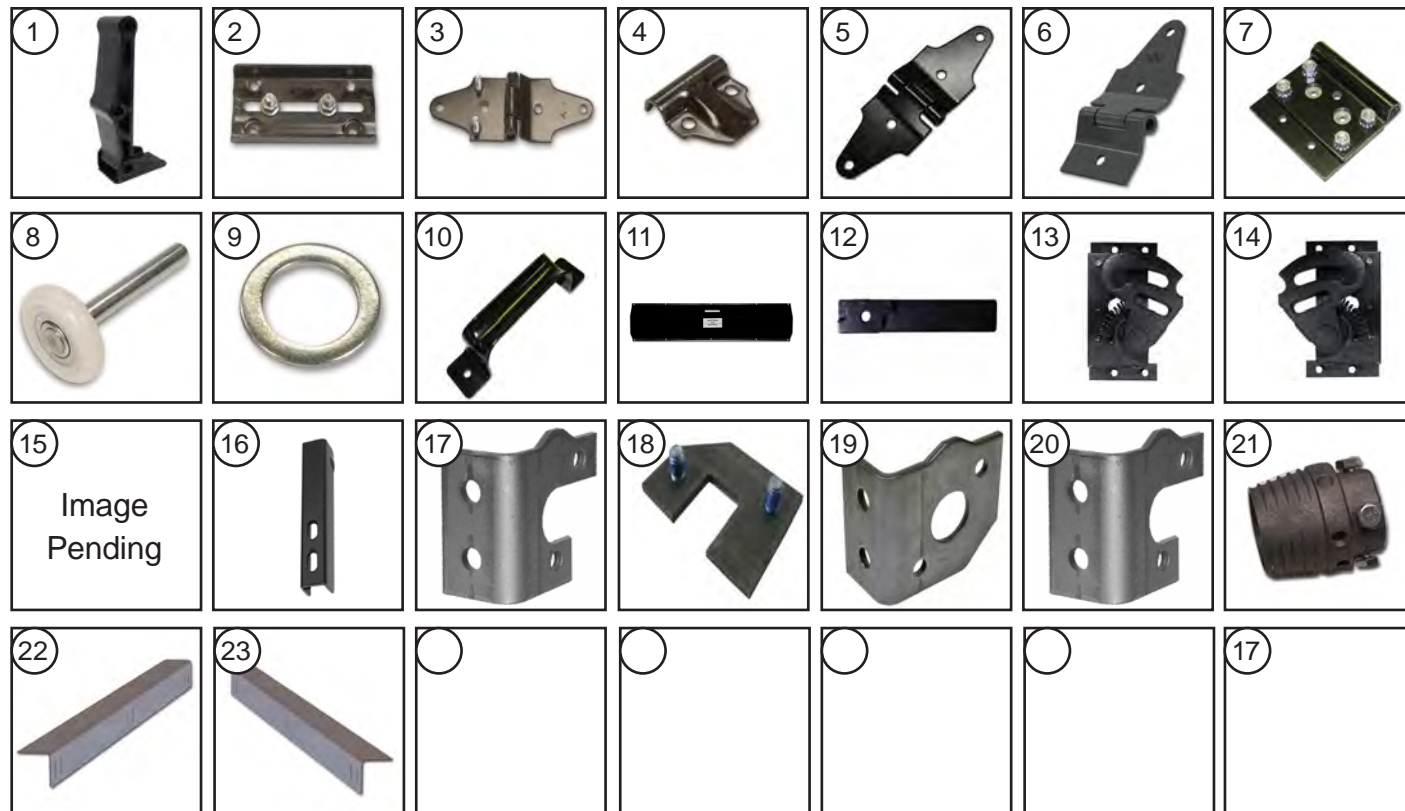


ITEM #	PART #	DESCRIPTION	QTY.	UNIT
1	<a href="#">96741202</a>	TRACK ASSEMBLY UPPER	1	EA
2	<a href="#">45100105</a>	GUSSET AL CASTING LOWER @ DOOR POST RH	1	EA
3	<a href="#">177041403</a>	PANEL HEADER AL .102X19.49X42.36 RH	1	EA
4	<a href="#">157041401</a>	DOOR POST FORWARD AL 450294X102.43 RH	1	EA
5	<a href="#">45100049</a>	GUSSET AL CASTING HEADER CHANNEL TO D/PST RH	1	EA
6	230041414	PANEL DOOR POCKET AL RH	1	EA
7	<a href="#">96741303</a>	CHANNEL HEADER AL 450256X75 RH	1	EA
8	<a href="#">001741408</a>	REINFORCEMENT A POST AL .125X1.53X8.04 RH	1	EA
9	<a href="#">210041405</a>	STEP NOSE AL 450247X61.29 RH	1	EA
10	<a href="#">47002766</a>	GUIDE NYLON DOOR LOWER X51.44	1	EA
11	<a href="#">44004060</a>	SEAL BRUSH TYPE C 1.5X82	1	EA
12	<a href="#">44008050</a>	SEAL BRUSH TYPE B 1X83.9	1	EA
13	<a href="#">96741355</a>	COVER DOOR POCKET AL .055X6.75X12.16 RH	1	EA
14	<a href="#">45900001</a>	PLUG WOOD @ RUB RAIL .75X1.12X2.9	1	EA
15	<a href="#">083042401</a>	STIFFENER HEADER AL 450328X74 RH	1	EA
16	<a href="#">96742302</a>	CLIP MOUNTING	1	EA
17	<a href="#">44004104</a>	DOOR SEAL RUBBER X89.25	1	EA
18	<a href="#">44002024</a>	PLUG - HEADER DRIP EDGE	1	EA



ITEM #	PART #	DESCRIPTION	QTY.	UNIT
1	Call W/ S/N	BRUSH SEAL HEADER 62"	1	EA
1	Call W/ S/N	BRUSH SEAL TOP CLEAR 62"	1	EA
2	Call W/ S/N	BRUSH SEAL SIDE	2	EA
2	Call W/ S/N	BRUSH SEAL SIDE CLEAR	2	EA
3	<a href="#">44004000</a>	BOTTOM SEAL	1	EA
4	<a href="#">47001084</a>	GRAB HANDLE - AL 25" OFFSET 45°	2	EA
5	<a href="#">47001039</a>	L HANDLE NON LOCKING	1	EA
6	<a href="#">47107278</a>	INSIDE RELEASE HANDLE	1	EA
7	<a href="#">47107279</a>	LIFT HANDLE	2	EA
8	<a href="#">47004512</a>	PULL STRAP 19" LONG 8" LOOP	1	EA
9	<a href="#">47107193</a>	RETAINER BRACKET - PULL STRAP	1	EA
10	<a href="#">47107194</a>	SAFETY CHAIN ASSEMBLY	1	EA
11	<a href="#">47001479</a>	SAFETY CABLE VINYL COATED	1	EA
12	<a href="#">617042</a>	CABLE STAINLESS 115" W/ METAL EYE	2	EA
13	<a href="#">613984</a>	CABLE ANCHOR BRACKET	2	EA
14	<a href="#">47106706</a>	CLEVIS PIN 1/4 - 1"	2	EA
15	<a href="#">47003198</a>	COTTER PIN 1/8" - 3/4"	2	EA
16	<a href="#">43000516</a>	PLACARD	1	EA
	Call W/ S/N	PANEL TOP	1	EA
	Call W/ S/N	PANEL INTERMEDIATE	4	EA
	Call W/ S/N	PANEL INTERMEDIATE 13 X 98-1/4"	3	EA
	Call W/ S/N	PANEL - LOCK PANEL	1	EA
	Call W/ S/N	PANEL BOTTOM	1	EA

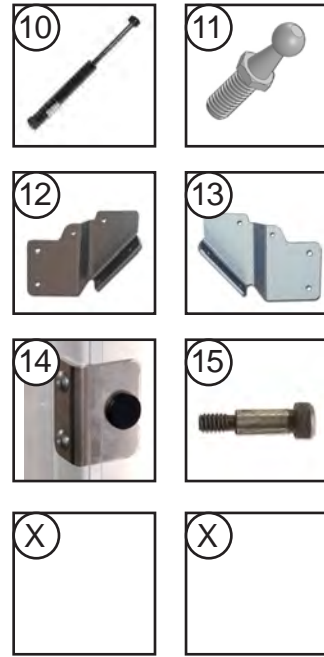
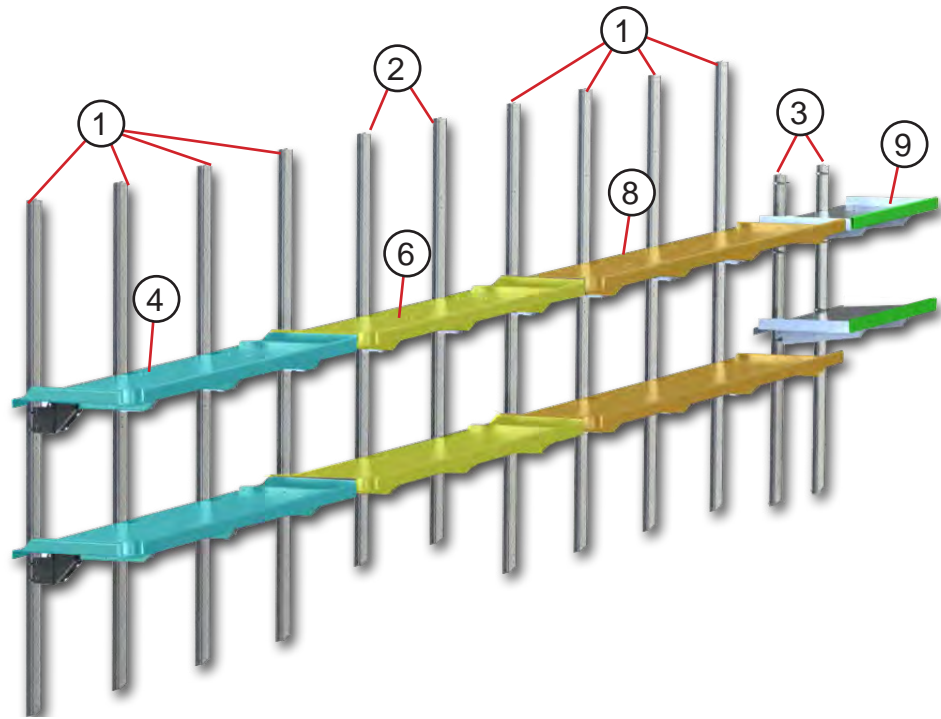
For parts not listed here, please call with your door serial number.  
800.233.4823 N000217409-0-2-1



ITEM #	PART #	DESCRIPTION	QTY.	UNIT
1	<a href="#">47107297</a>	TOP CLOSURE ROLLER EXTENSION	2	EA
2	<a href="#">61744</a>	TOP CLOSURE BASE ONLY	2	EA
3	<a href="#">61742</a>	ROLLER HINGE W/ STUDS LIGHT DUTY	12	EA
4	<a href="#">61743</a>	COVER - ROLLER HINGE	12	EA
5	<a href="#">617121</a>	CENTER HINGE LIGHT DUTY	8	EA
6	<a href="#">47107291</a>	CENTER HINGE - SHORT LIGHT DUTY	4	EA
7	<a href="#">47004522</a>	BOTTOM FIXTURE ASSEMBLY	2	EA
8	<a href="#">47107288</a>	ROLLER 2" NYLON 6" STEM	18	EA
9	<a href="#">47106718</a>	ROLLER SPACER WASHER	24	EA
10	<a href="#">47107279</a>	LIFT HANDLE - BLACK - INNER	2	EA
11	Call W/ S/N	CABLE COVER AL	1	EA
12	<a href="#">47107278</a>	INSIDE RELEASE HANDLE	1	EA
13	<a href="#">47003169</a>	END LATCH ROADSIDE	1	EA
14	<a href="#">47003170</a>	END LATCH CURBSIDE	1	EA
15	<a href="#">47107298</a>	LOCK ASSEMBLY	1	EA
16	<a href="#">47003172</a>	PLATE LATCH STRIKER ASSEMBLY	1	EA
17	<a href="#">47003188</a>	BALANCER BRACKET CENTER	1	EA
18	<a href="#">47003189</a>	BALANCER BRACKET CLAMP	1	EA
19	<a href="#">47003186</a>	BALANCER BRACKET ROADSIDE	1	EA
20	<a href="#">47003187</a>	BALANCER BRACKET CURBSIDE	1	EA
21	<a href="#">47001442</a>	WINDING CONE W/ SCREWS	2	EA
22	247130401	MOUNTING ANGLE TRACK HORIZONTAL ROADSIDE	1	EA
23	247130402	MOUNTING ANGLE TRACK HORIZONTAL CURBSIDE	1	EA

For parts not listed here, please call with your door serial number.  
800.233.4823 N000217409-0-2-1

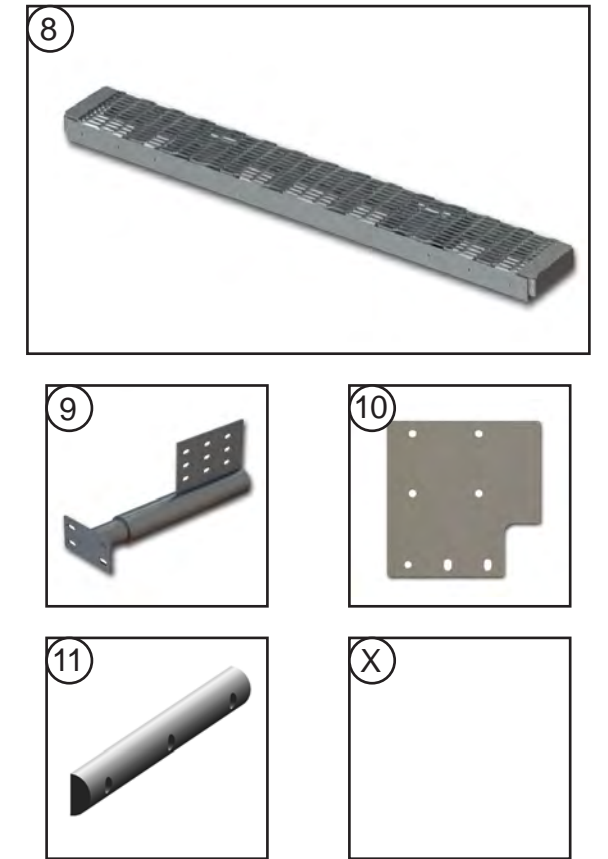
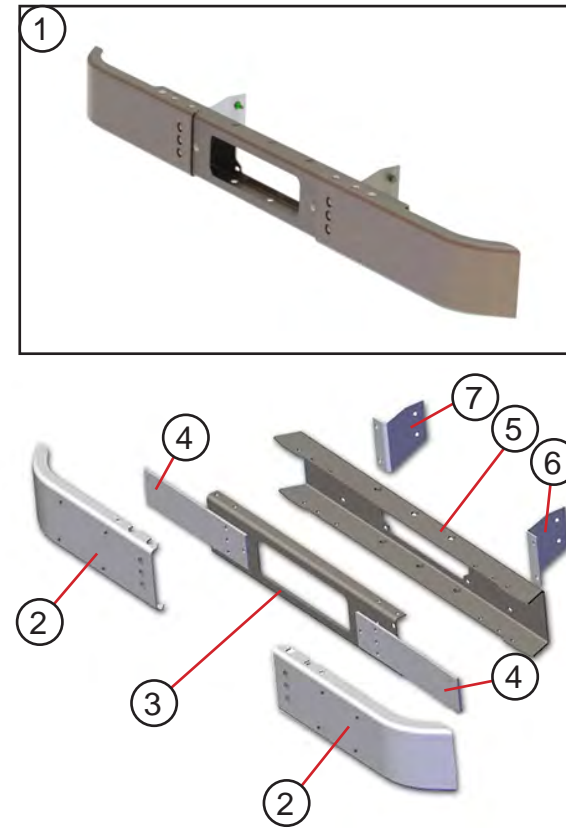
## Shelving



Roadside Shown - Curbside is Mirrored

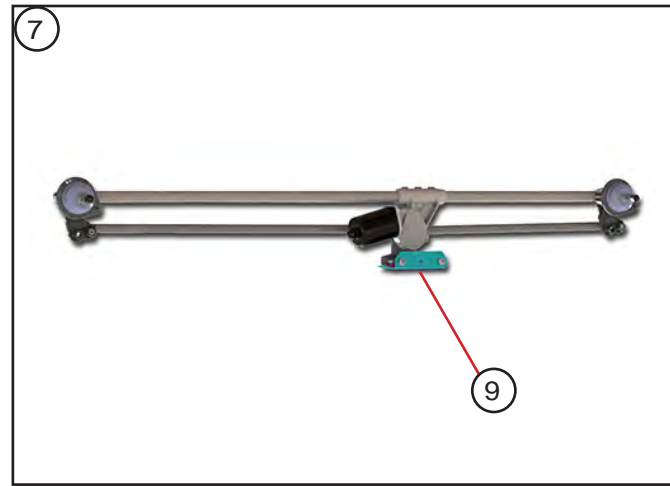
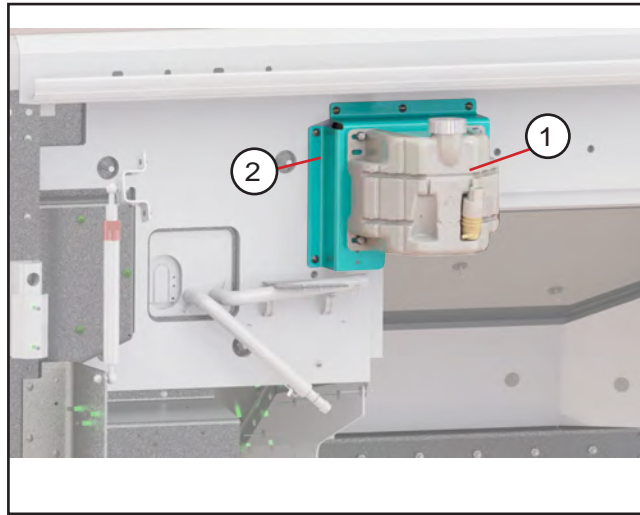
ITEM #	PART #	DESCRIPTION	QTY.	UNIT
1	240048400	STANCHION AL X77.94"	14	EA
2	240048401	STANCHION AL @ WHEEL BOX X69.54"	4	EA
3	230048407	STANCHION AL @ DOOR POCKET X58"	4	EA
4	247106208	SHELF ASSEMBLY FOLDING REAR LH	2	EA
NS	247106209	SHELF ASSEMBLY FOLDING REAR RH	2	EA
6	247106206	SHELF ASSEMBLY FOLDING MID LH	2	EA
NS	247106207	SHELF ASSEMBLY FOLDING MID RH	2	EA
8	247106204	SHELF ASSEMBLY FOLDING FORWARD LH	2	EA
NS	247106205	SHELF ASSEMBLY FOLDING FORWARD RH	2	EA
9	237105200	SHELF ASSEMBLY FOLDING @ DOOR POCKET LH/RH	4	EA
10	<a href="#">126106426</a>	GAS SPRING	16	EA
11	<a href="#">126106427</a>	BALL STUD	32	EA
12	<a href="#">190105411</a>	BRACKET SHELF RH	48	EA
13	<a href="#">190105412</a>	BRACKET SHELF LH	48	EA
14	<a href="#">150106202</a>	RUBBER BUMPER KIT	16	EA
15	<a href="#">47006191</a>	SHOULDER BOLT	48	EA

## Bumpers



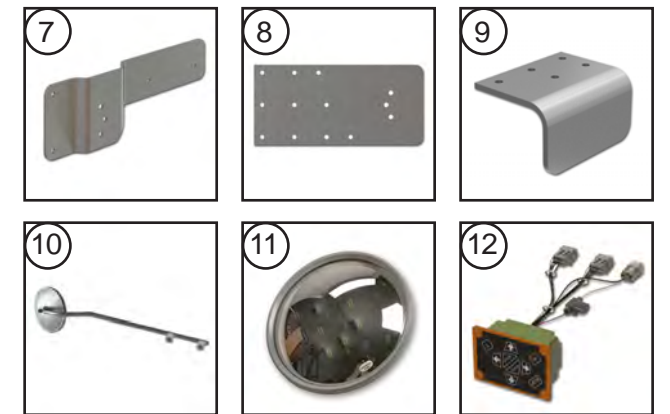
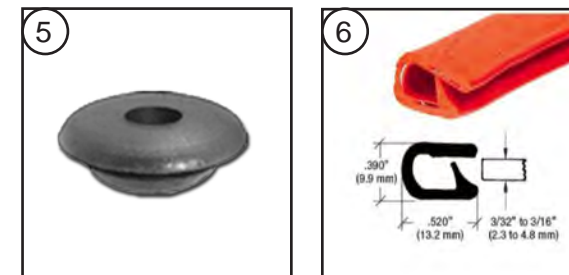
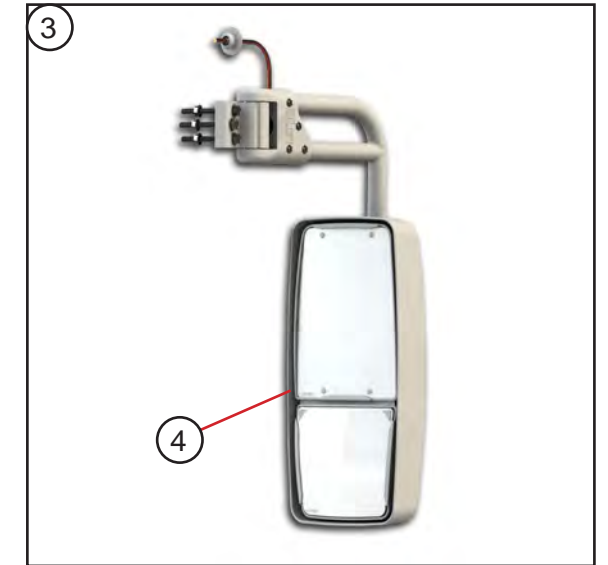
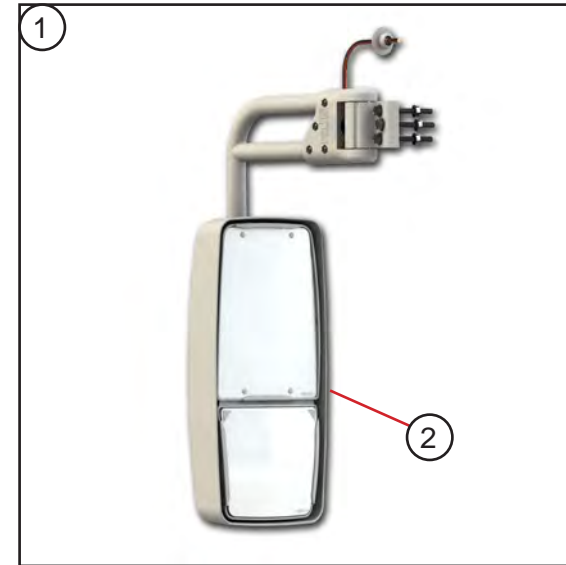
ITEM #	PART #	DESCRIPTION	QTY.	EA
1	<a href="#">167008003</a>	FRONT BUMPER INSTALLATION 93W	1	EA
2	<a href="#">155008203</a>	OUTER BUMPER CHANNEL ASSEMBLY	2	EA
3	<a href="#">167008402</a>	CHANNEL BUMPER STEEL 7GA	1	EA
4	<a href="#">155008417</a>	BUMPER LEAF SPRING STEEL .375X5X22	2	EA
5	<a href="#">167008401</a>	CHANNEL BUMPER REAR STEEL .25X14.91X55.09	1	EA
6	<a href="#">167008403</a>	BRACKET BUMPER MOUNT STL 7GAX8.12X8.32 LH	1	EA
7	<a href="#">167008404</a>	BRACKET BUMPER MOUNT STL 7GAX8.12X8.32 RH	1	EA
8	<a href="#">47004280</a>	BUMPER REAR 10" 93W	1	EA
9	<a href="#">003057200</a>	MOUNT BUMPER SHOCK LH/RH	2	EA
10	248007460	HANGER PLATE STEEL	2	EA
11	<a href="#">006370401</a>	PROTECTIVE RUBBER BUMPER 18"	2	EA

## WIPERS



ITEM #	PART #	DESCRIPTION	QTY.	UNIT
1	<a href="#">47004507</a>	WINDSHIELD WASHER RESERVOIR W/PUMP	1	EA
2	<a href="#">210063400</a>	BRACKET WINDSHIELD RESERVOIR	1	EA
3	<a href="#">47004205</a>	WIPER ARM - WET 20"	2	EA
4	<a href="#">47004134</a>	WIPER BLADE 24"	2	EA
5	<a href="#">1101694</a>	TEE WINDSHIELD WASHER	1	EA
6	<a href="#">1107122</a>	HOSE WINDSHIELD WASHER	12	FT
7	<a href="#">47004230</a>	WIPER SYSTEM TUBULAR 2 PIVOT 93/96W	1	EA
NS	<a href="#">N/A</a>	MOTOR (NON SERVICEABLE)	1	EA
9	<a href="#">220055408</a>	MOUNTING BRACKET	1	EA
10	<a href="#">46021115</a>	CLIP BODY LARGE PAN	1	EA
11	<a href="#">47004271</a>	WET KIT FOR WIPER ARM (SPRAY NOZZLE & HOSE)	2	EA
12	<a href="#">47004272</a>	RETAINING CLIP HOSE	2	EA

## MIRRORS

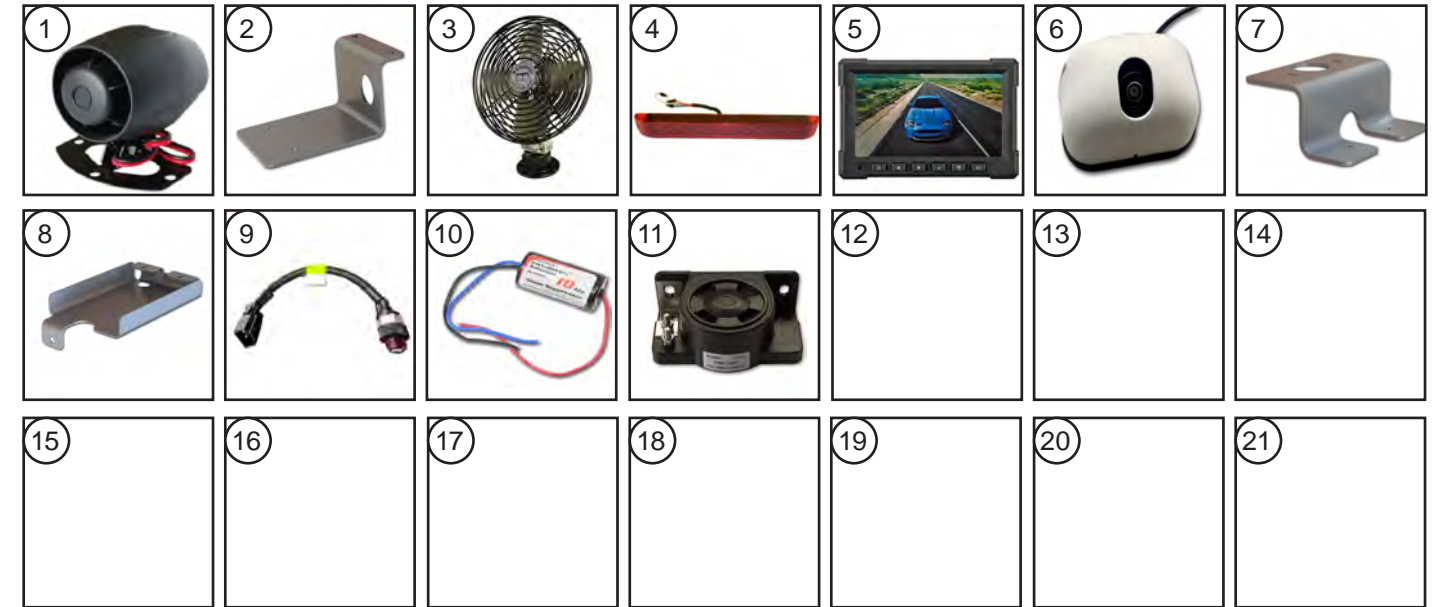


ITEM #	PART #	DESCRIPTION	QTY	UNIT
1	<a href="#">47006373</a>	MIRROR ASSEMBLY LH BLACK HEATED	1	EA
2	<a href="#">47107197</a>	MIRROR HEAD ONLY - LH	-	EA
3	<a href="#">47006374</a>	MIRROR ASSEMBLY RH BLACK HEATED	1	EA
4	<a href="#">47107198</a>	MIRROR HEAD ONLY - RH	-	EA
5	<a href="#">11007087</a>	GROMMET .313X.063X.188	4	EA
6	<a href="#">44009079</a>	TRIM QUICK EDGE ORANGE	7.82	FT
7	<a href="#">198142400</a>	BRACKET - MIRROR MOUNT LH	1	EA
8	<a href="#">158142403</a>	BRACKET - MIRROR MOUNT RH	1	EA
9	<a href="#">158142404</a>	BRACKET - MIRROR RH	1	EA
10	<a href="#">47005099</a>	MIRROR FRONT SIDE VIEW 10"	1	EA
11	<a href="#">81600095</a>	MIRROR HEAD ONLY CONVEX 10.75"	1	EA
12	47006375	SWITCH (CONTROL ASSEMBLY) MIRRORS	1	EA
NS	<a href="#">240142400</a>	SHIM MIRROR AL .188X1.38X1.75	2	EA





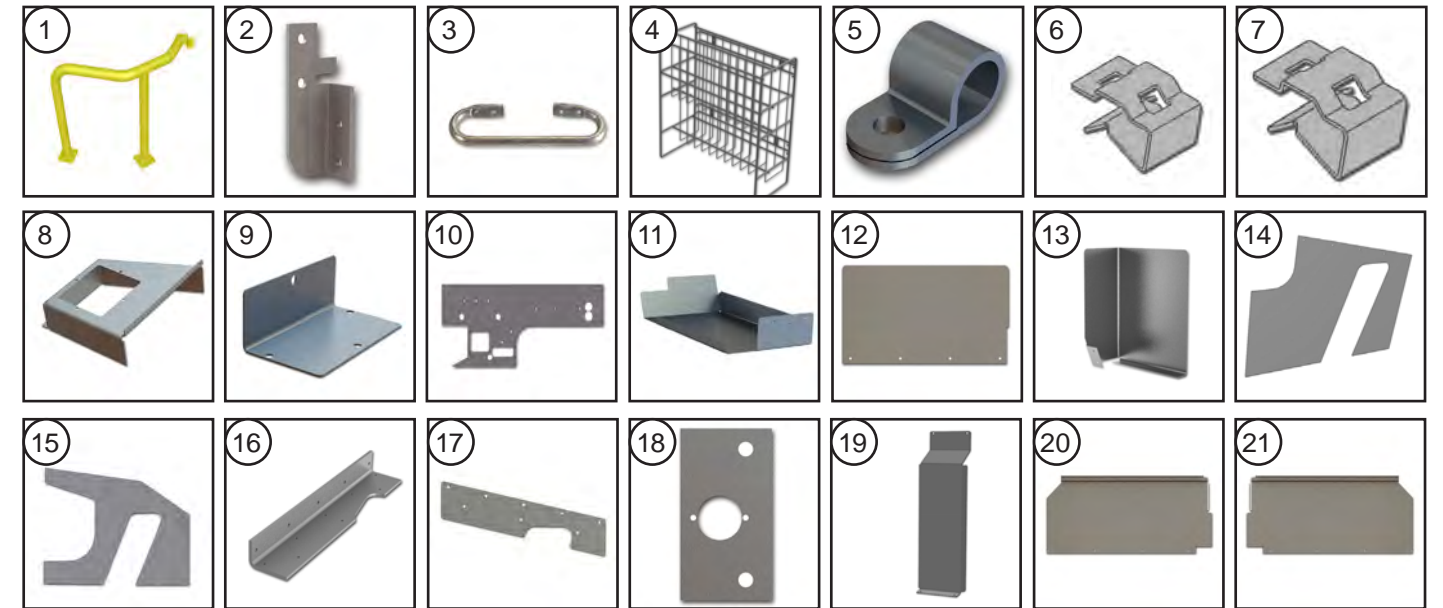
ITEM #	PART #	DESCRIPTION	QTY.	UNIT
1	<a href="#">46000210</a>	HEADLAMP BASKET ASSEMBLY	2	EA
2	<a href="#">46000208</a>	HEADLAMP LED	2	EA
3	<a href="#">46001388</a>	LAMP CLEARANCE MARKER RED LED PC	7	EA
4	<a href="#">46001382</a>	LAMP CLEARANCE MARKER AMBER LED PC P2	4	EA
4	<a href="#">46001395</a>	LAMP CLEARANCE MARKER AMBER LED PC	5	EA
5	<a href="#">46001440</a>	LAMP BACK UP LED	2	EA
6	<a href="#">46002222</a>	LAMP REAR COMB TAIL/TURN LED	4	EA
7	<a href="#">46004402</a>	GROMMET ROUND BLACK 4IN LAMP	6	EA
8	<a href="#">46002636</a>	LAMP DOME - RECESSED 1-CAB / 3-CARGO	4	EA
9	<a href="#">46000615</a>	LAMP PARK TURN LED FRONT	2	EA
10	<a href="#">46004403</a>	GROMMET OBLONG	2	EA
11	<a href="#">47009642</a>	LAMP LED CLEAR LICENSE PLATE	2	EA
12	<a href="#">46023532</a>	SWITCH ROCKER DOME LAMP CAB SPST ON-OFF	1	EA
13	<a href="#">46023541</a>	SWITCH ROCKER DOME LAMP CARGO SPDT ON-OFF	1	EA
14	<a href="#">46029062</a>	SWITCH ROCKER AUX HEATER SPDT ON-OFF-ON	1	EA
15	<a href="#">46029061</a>	SWITCH ROCKER DASH FAN	1	EA
16	<a href="#">46023511</a>	SWITCH ROCKER DOOR UNLOCK	1	EA
17	<a href="#">46023544</a>	SWITCH ROCKER PASSENGER DOOR UNLOCK	1	EA
18	<a href="#">46023543</a>	SWITCH ROCKER DRIVER DOOR UNLOCK	1	EA
19	<a href="#">46025305</a>	SWITCH MAGNETIC OPEN LOOP	1	EA
19	<a href="#">46025313</a>	SWITCH MAGNETIC OPEN LOOP	1	EA
20	<a href="#">207094400</a>	BRACKET - MAGNETIC SWITCH	1	EA
21	<a href="#">207094401</a>	BRACKET - MAGNETIC SWITCH	1	EA



ITEM #	PART #	DESCRIPTION	QTY.	UNIT
1	<a href="#">46029081</a>	SIREN 6-TONE 12V 25W 108dB	1	EA
2	<a href="#">247085400</a>	PLATE MOUNTING - SIREN AL .102X3.5X7.48	1	EA
3	<a href="#">46030014</a>	FAN 2 SPEED 270 CFM	1	EA
4	<a href="#">46001905</a>	LAMP CENTER HIGH MOUNT	1	EA
5	<a href="#">48200266</a>	MONITOR 7"	1	EA
6	<a href="#">48200343</a>	CAMERA - FRONT & SIDES	4	EA
7	<a href="#">247079400</a>	BRACKET CAMERA	1	EA
8	<a href="#">207026400</a>	GAURD BRACKET - MID CAMERA	2	EA
9	<a href="#">120081201</a>	LAMP ASSEMBLY - DOOR OPEN RED	1	EA
10	48200029	FILTER FOR SONAR MODULE 10AMP	1	EA
11	<a href="#">46024513</a>	BACK UP ALARM	1	EA



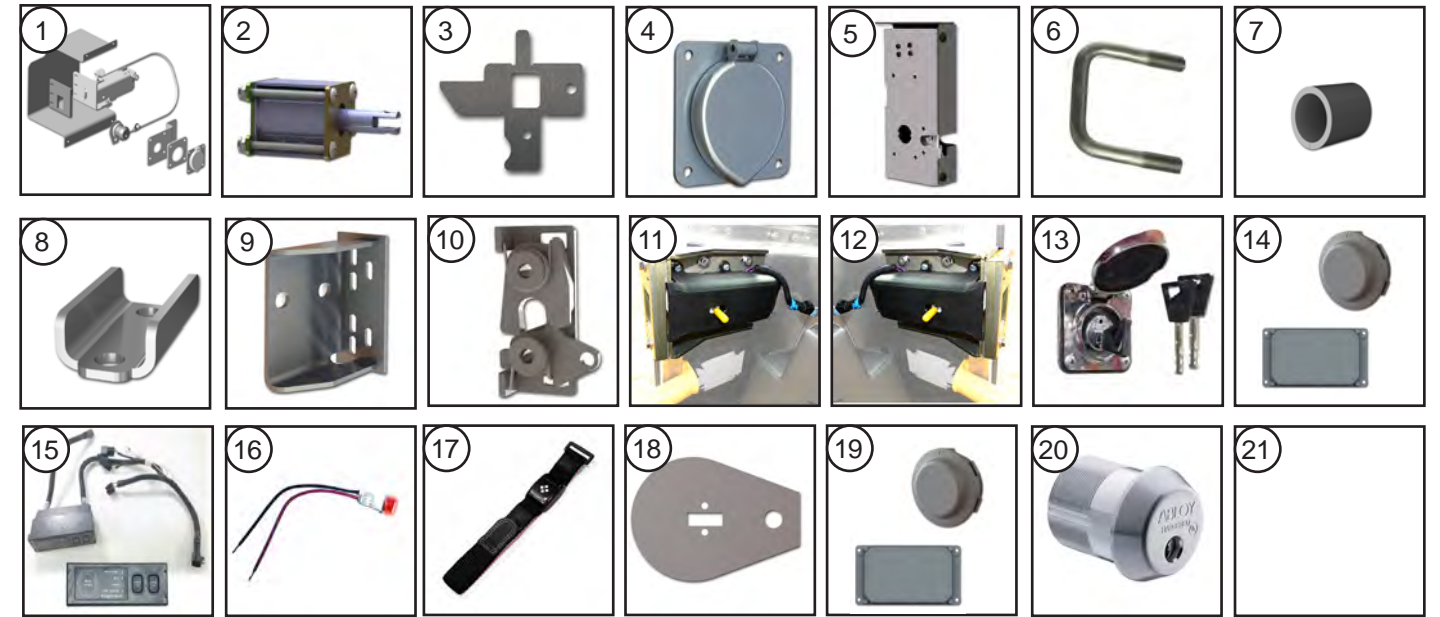
ITEM #	PART #	DESCRIPTION	QTY.	UNIT
1	<a href="#">46025017</a>	REFLECTOR RED	4	EA
2	<a href="#">46025018</a>	REFLECTOR AMBER	2	EA
3	<a href="#">102084499</a>	BRACKET FUSE BOX AL .102X4X12.78	1	EA
4	<a href="#">173092401</a>	COVER FUSE BOX AL .102X4X4.13	1	EA
5	1107109	GROMMET 0.375X0.125X.0625	2	EA
6	<a href="#">1107324</a>	GROMMET .625X.25X.875	1	EA
7	44000052	GROMMET 1X.125X1.3125	2	EA
8	<a href="#">47005504</a>	SUN VISOR	2	EA
9	<a href="#">237300400</a>	LABEL FUSE BLOCK LH	1	EA
10	237300401	LABEL FUSE BLOCK RH	1	EA
11	<a href="#">47009653</a>	CENTER CONSOLE	1	EA
12	47000688	HANDLE SIDE DOOR NON LOCKING PADDLE TYPE	2	EA
13	<a href="#">47009706</a>	SUPPORT MUD FLAPS	1	PR
14	<a href="#">1107308</a>	MUD FLAP 20X24 NO LOGO	1	PR
15	<a href="#">7504428</a>	RETAINER BRACKET - MUD FLAPS	2	EA
16	<a href="#">80795014</a>	ANGLE - RETAINER	2	EA
17	<a href="#">47008558</a>	AUXILIARY HEATER	1	EA
18	<a href="#">247080401</a>	BRACKET - AUX HEATER AL	1	EA
19	<a href="#">82093014</a>	BRACKET UPRIGHT - SPARE TIRE	1	EA
20	<a href="#">1113047</a>	HANDLE - SPARE TIRE	1	EA
21	168127402	CLAMP - SPARE TIRE STEEL .25 X 12 X 8.04	1	EA
NS	7900636	THREADED ROD .5-13 X 4.5" STEEL	1	EA



ITEM #	PART #	DESCRIPTION	QTY.	UNIT
1	<a href="#">47001070</a>	GRAB RAIL - ENTRY POWERCOAT YELLOW	1	EA
2	<a href="#">217005413</a>	ANGLE ATTACH - GRAB RAIL	1	EA
3	<a href="#">90187301</a>	GRAB HANDLE AL .5DIA 5X10	1	EA
4	<a href="#">47009599</a>	BASKET ORGANIZER P700 (BRACKET 003750460 AL)	1	EA
5	<a href="#">46021104</a>	CLASP	1	EA
6	<a href="#">46021114</a>	CLIP BODY MED	2	EA
7	46021115	CLIP BODY LARGE	2	EA
8	<a href="#">217005438</a>	BRACKET FRESH AIR INTAKE AL	1	EA
9	<a href="#">217005439</a>	COVER PLATE - AIR INTAKE AL	1	EA
10	<a href="#">227116401</a>	INSULATION DASH WALL	1	EA
11	<a href="#">248024406</a>	COVER BATTERY AL	1	EA
12	<a href="#">248024407</a>	SPLASH SHIELD BATTERY AL	1	EA
13	<a href="#">248024402</a>	BRACKET GUARD - BATTERY AL	1	EA
14	<a href="#">118026407</a>	SHIELD VINYL LH	1	EA
15	<a href="#">248026403</a>	SHIELD VINYL RH (BRACKET 248026403 AL)	1	EA
16	248026400	ANGLE BRACKET GUARD AL 1100482X17	1	EA
17	248026401	PLATE SUPPORT GUARD AL .102X3.43X17.93	1	EA
18	<a href="#">240111400</a>	PLATE MOUNTING HEATER	1	EA
19	<a href="#">177080400</a>	GUARD BRACKET HEATER AL	1	EA
20	240019401	PANEL LINER LH (ABOVE WINDOW) AL	1	EA
21	240019402	PANEL LINER RH (ABOVE WINDOW) AL	1	EA
NS	<a href="#">470019401</a>	CARPET GREY - LINER (ABOVE WINDOWS)	4	FT

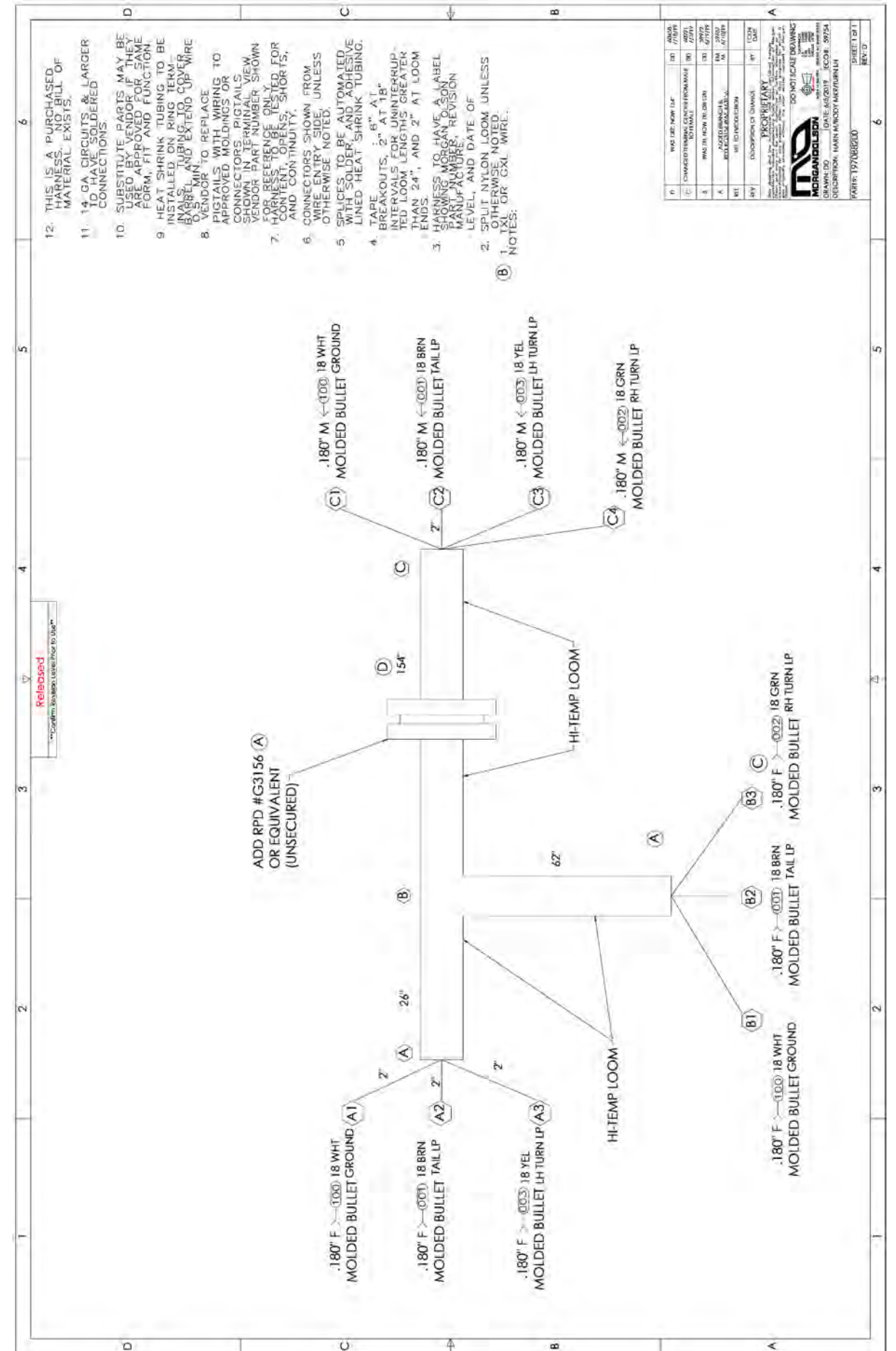


ITEM #	PART #	DESCRIPTION	QTY.	UNIT
1	<a href="#">47009574</a>	FIRST AID KIT	1	EA
2	<a href="#">47009621</a>	FIRE EXTINGUISHER 2.5 LB 1A10BC	1	EA
3	<a href="#">47009547</a>	TRIANGLE KIT	1	EA
4	<a href="#">47009548</a>	BRACKET FOR TRIANGLE KIT	1	EA
5	<a href="#">45200051</a>	TRASH RECEPTICLE	1	EA
6	<a href="#">077240433</a>	BRACKET FOR TRASH RECEPTICLE AL	1	EA
7	<a href="#">47009598</a>	BASKET - PRINTER	1	EA
8	<a href="#">197127400</a>	CAB BASKET CNSL AL	1	EA
9	<a href="#">47009199</a>	POUCH - VINYL HAZMAT	1	EA
10	<a href="#">47009240</a>	POUCH - DRIVER INFO	1	EA
11	<a href="#">47009241</a>	POUCH - REGISTRATION VINYL OPEN TOP	1	EA
12	<a href="#">47006146</a>	STRAP HAND CART	1	EA
13	<a href="#">165127401</a>	CATCH HAND CART	1	EA
14	43000514	PLACARD FLIP - SOL	3	EA
14	<a href="#">43000515</a>	PLACARD FLIP - SPT	1	EA
15	<a href="#">44004002</a>	TRIM - DRIP RAIL	7.33	FT
16	47001084	GRAB HANDLE OFFSET	4	EA
17	247027405	COVER PLATE - WIRE PASS THROUGH	1	EA
18	<a href="#">188028404</a>	INSULATION ENGINE BOX LID 13.88X27.63	1	EA
19	<a href="#">188028405</a>	INSULATION ENGINE BOX TOP 13.89X32.42	1	EA
20	<a href="#">188028406</a>	INSULATION ENGINE BOX FRT 12.23X31.3	1	EA
21	<a href="#">188028407</a>	INSULATION ENGINE BOX SI 17.38X25.3 LH	1	EA
22	<a href="#">188028408</a>	INSULATION ENGINE BOX SI 17.54X29.8 RH	1	EA



ITEM #	PART #	DESCRIPTION	QTY.	UNIT
1	247147203	KEYLESS LOCK ASSEMBLY @ REAR DOOR	1	EA
2	<a href="#">137147400</a>	SOLENOID OPEN FRAME PULL TYPE	1	EA
3	<a href="#">137147403</a>	STRIKER STEEL	1	EA
4	<a href="#">136060401</a>	RECEPTICAL W/ DUST COVER	1	EA
5	<a href="#">237147200</a>	KEYLESS LOCK ASSEMBLY @ BULKHEAD DOOR	1	EA
6	<a href="#">40300937</a>	U-BOLT	1	EA
7	45700213	SPACER SLEEVE .51 X 1"	2	EA
8	<a href="#">247147404</a>	BRACKET - LATCH	1	EA
9	<a href="#">237147204</a>	STRIKER BRACKET - BULKHEAD DOOR	1	EA
10	<a href="#">45700205</a>	LATCH ROTARY	1	EA
11	<a href="#">46029041</a>	KEYLESS LOCK ASSEMBLY LH	1	EA
12	<a href="#">46029042</a>	KEYLESS LOCK ASSEMBLY RH	1	EA
13	<a href="#">47000993</a>	ABLOY LOCK CYLINDER W/ 2 KEYS	3	EA
14	<a href="#">46029077</a>	KEYLESS RFID KIT (ANTENNA / READER / WRIST BANDS X3)	1	EA
15	<a href="#">46029079</a>	MODULE - KEYLESS START	1	EA
16	<a href="#">46003020</a>	LAMP - DOOR OPEN INDICATOR	1	EA
17	<a href="#">46029021</a>	REPLACEMENT WRIST BAND (SINGLE)	-	EA
18	40900011	LOCK CAM - @ REAR DOOR KEYLESS LOCK	1	EA
18	40900012	LOCK CAM - @ SIDE DOOR RH	1	EA
19	<a href="#">46029078</a>	KEYLESS RFID KIT @ REAR (ANT / READER / 1 WRIST BAND)	1	EA
20	47000779	LOCK KIT (3 KEYED ALIKE)	1	EA

PAGE #	PART #	DESCRIPTION	QTY	UNIT
39	<a href="#">197088200</a>	WIRING HARNESS MID BODY MARKER	1	EA
40	<a href="#">082091200</a>	WIRING HARNESS POWER OPTION FROM BATTERY	1	EA
41	<a href="#">88117437</a>	WIRING HARNESS JUMPER	1	EA
42	<a href="#">090093202</a>	WIRING HARNESS JUMPER CARGO DOME LAMP	3	EA
43-44	247093204	WIRING HARNESS ROOF	1	EA
45	<a href="#">098085201</a>	WIRING HARNESS HOOD AL FCC	1	EA
46	237091200	WIRING HARNESS ROOF NOSE	1	EA
47	<a href="#">130092204</a>	WIRING HARNESS LICENSE PLATE BOX	1	EA
48	<a href="#">140088200</a>	WIRING HARNESS JUMPER X48 (CARGO DOME LAMP)	3	EA
49	<a href="#">222079200</a>	WIRING HARNESS BLIND SPOT TURN TRIGGER	1	EA
50	<a href="#">230092201</a>	WIRING HARNESS AUX LOAD 2 LVL	1	EA
51-55	<a href="#">237084206</a>	WIRING HARNESS I/P RFID KEYLESS FCC	1	EA
56-58	<a href="#">237086201</a>	WIRING HARNESS REAR LAMP BACK PANEL W/ KYLS	1	EA
59	<a href="#">247084201</a>	WIRING HARNESS DOOR AJAR	1	EA
60	46029075	WIRING HARNESS JUMPER KEYLESS READER 36"	1	EA
61	<a href="#">48200011</a>	CABLE CAMERA 4'	1	EA
61	<a href="#">48200092</a>	CABLE CAMERA X34'	1	EA
61	<a href="#">48200137</a>	CABLE CAMERA TO MONITOR X15'	1	EA
61	<a href="#">48200183</a>	CABLE CAMERA X3'	1	EA
61	<a href="#">48200204</a>	CABLE CAMERA TO MONITOR X10F	1	EA
62	<a href="#">46010845</a>	WIRING HARNESS - BACK UP ALARM	1	EA



DRAWING NO.	REV	SHT
082091200		1 OF 1
REV.	DESCRIPTION	BY
	RELEASE FOR PRODUCTION	DATE

10. SEALED CONNECTORS AS NOTED TO BE GREASED WITH TRUCK-LITE NYK-77 COMPOSITION PREVENTATIVE COMPOUND OR EQUIV.
9. THIS IS A PURCHASED HARNESS. NO BILL OF MATERIAL EXISTS.
8. VENDOR TO REPLACE PIGTAILS WITH WIRING TO APPROVED MOLDINGS OR SHOWING IN DRAWING. VENDOR PART NUMBER SHOWN FOR REFERENCE ONLY.
7. HARNESS TO BE TESTED FOR CONTENT OPENS, SHORTS, AND CONTINUITY.
6. CONNECTORS SHOWN FROM WIRE ENTRY SIDE UNLESS OTHERWISE NOTED.
5. SPLICES TO BE AUTOMATED WITH HEAT SHRINK TUBING.
4. TAPE [1111098]: 6" AT BREAKOUTS AND 2" AT LOOM ENDS.
3. HARNESS TO HAVE A LABEL WITH PART NUMBER, REVISION LEVEL, AND DATE OF MANUFACTURE.
2. SPLIT POLY LOOM UNLESS OTHERWISE NOTED.
1. GXL WIRE.

NOTES:

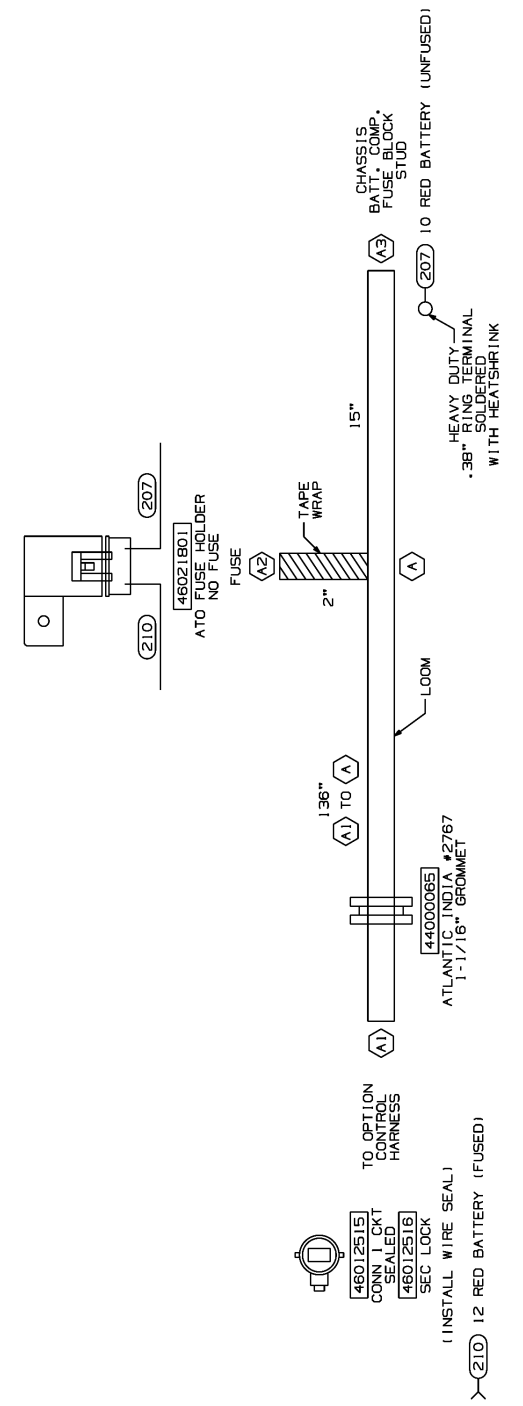
PROPRIETARY  
This drawing and the information and data contained herein are the property of Morgan Olson and shall be kept confidential. No part of this drawing may be reproduced or transmitted in any form or by any means, electronic, mechanical, photocopying, recording, or by any information storage and retrieval system, without the prior written consent of Morgan Olson.



GENERAL STANDARDS UNLESS OTHERWISE NOTED: .0001 .010			
1. UNLESS NOTED OTHERWISE, ALL DIMENSIONS ARE IN INCHES.			
2. DIMENSIONS TO CENTER UNLESS OTHERWISE NOTED.			
3. DIMENSIONS TO SURFACE UNLESS OTHERWISE NOTED.			
4. DIMENSIONS TO INSIDE UNLESS OTHERWISE NOTED.			
5. DIMENSIONS TO OUTSIDE UNLESS OTHERWISE NOTED.			
DATE	DFW	OB	08-0010
09JAN08	09JAN08	09JAN08	
DO NOT SCALE			
NAME			
HARN-PWR, OPTION, FROM BATT			
DRAWING NO.	SCALE	SHT	NONE
082091200		1 OF 1	

BASED ON:  
074083201

HARNESS AND LOOM TOLERANCES  
UP TO 60" : -0/+2"  
60" TO 100" : -0/+4"  
100" TO 200" : -0/+5"  
200" TO 400" : -0/+6"  
400" TO 600" : -0/+7"  
OVER 600" : -0/+8"  
BO TO BO : -0/+2"  
TOLERANCE IS NOT ACCUMULATIVE. LENGTH APPLIES TO OVERALL HARNESS LENGTH, BREAKOUT TO END, OR LOOM.



CIRCUIT	GAUGE/COLOR	END POINTS	FUNCTION
207	10 RED	A2, A3	BATTERY (UNFUSED)
210	12 RED	A1, A2	BATTERY (FUSED)

DRAWING NO.	REV	SHT
88117437		1 OF 1
REV.	DESCRIPTION	BY
	RELEASE TO PRODUCTION	DATE

8. VENDOR MAY REPLACE PIGTAILS WITH WIRING TO APPROVED MOLDINGS OR CONNECTORS. PIGTAILS SHOWN IN TERMINAL VIEW.
7. HARNESS TO BE TESTED FOR CONTENT OPENS, SHORTS, AND CONTINUITY.
6. CONNECTORS SHOWN FROM WIRE ENTRY SIDE UNLESS OTHERWISE NOTED.
5. SPLICES TO BE AUTOMATED WITH HEAT SHRINK TUBING. HEAT SHRINK TUBING SPLICES ARE ACCEPTABLE FOR GO FABRICATION IF NECESSARY.
4. TAPE [1111098]: 6" AT BREAKOUTS AND 2" AT LOOM ENDS.
3. HARNESS TO HAVE A LABEL SHOWING GRUHAM OLSON PART NUMBER, REVISION LEVEL, DATE OF MANUFACTURE.
2. SPLIT POLY LOOM UNLESS OTHERWISE NOTED.
1. GXL WIRE.

NOTES:

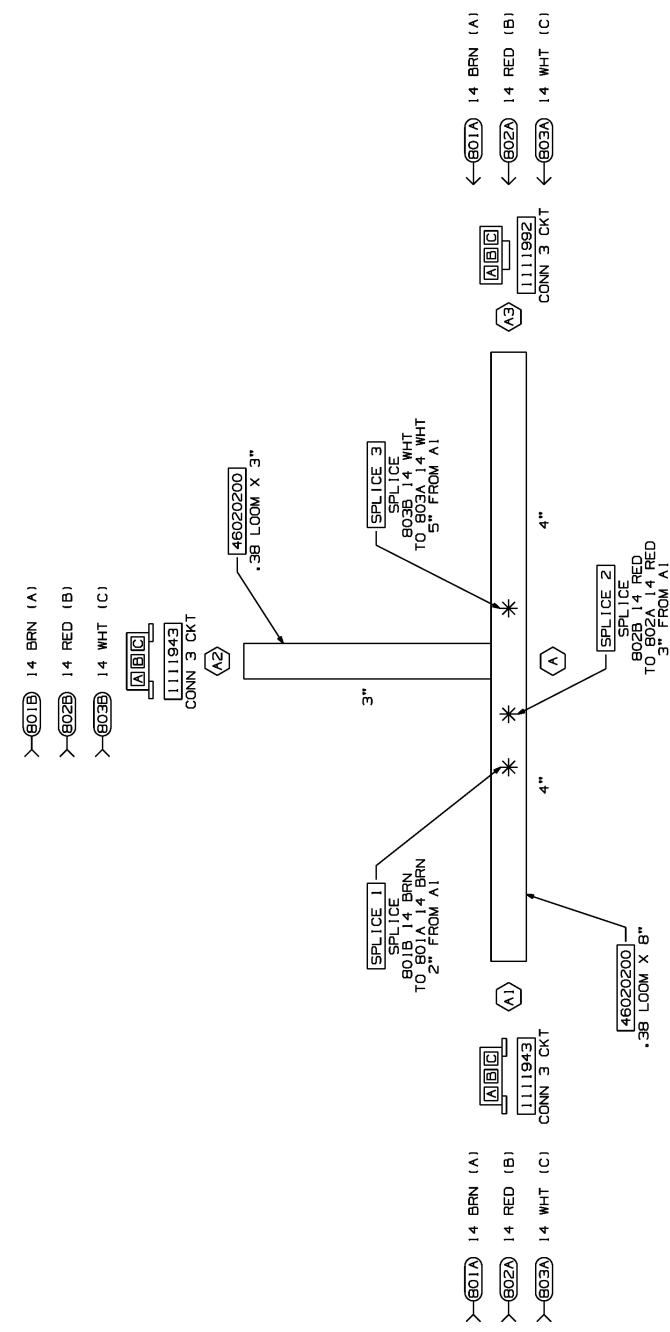
PROPRIETARY  
This drawing and the information and data contained herein are the property of Morgan Olson and shall be kept confidential. No part of this drawing may be reproduced or transmitted in any form or by any means, electronic, mechanical, photocopying, recording, or by any information storage and retrieval system, without the prior written consent of Morgan Olson.



GENERAL STANDARDS UNLESS OTHERWISE NOTED: .0001 .010			
1. UNLESS NOTED OTHERWISE, ALL DIMENSIONS ARE IN INCHES.			
2. DIMENSIONS TO CENTER UNLESS OTHERWISE NOTED.			
3. DIMENSIONS TO SURFACE UNLESS OTHERWISE NOTED.			
4. DIMENSIONS TO INSIDE UNLESS OTHERWISE NOTED.			
5. DIMENSIONS TO OUTSIDE UNLESS OTHERWISE NOTED.			
DATE	TMC	SEH	02-0241
27FEB02	28FEB02	28FEB02	
DO NOT SCALE			
NAME			
JUMPER-HARN TEE-GENERIC			
DRAWING NO.	SCALE	SHT	NONE
88117437		1 OF 1	

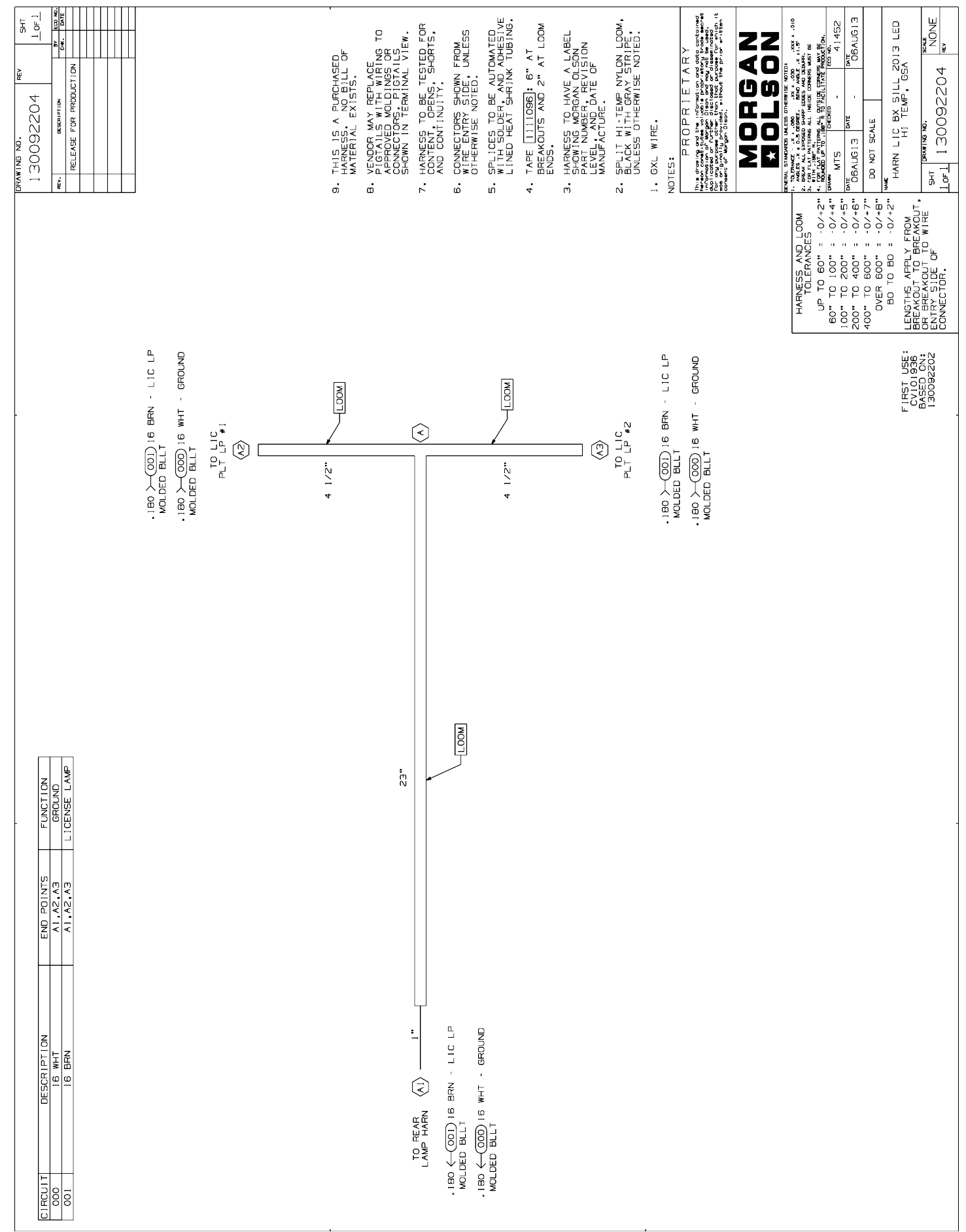
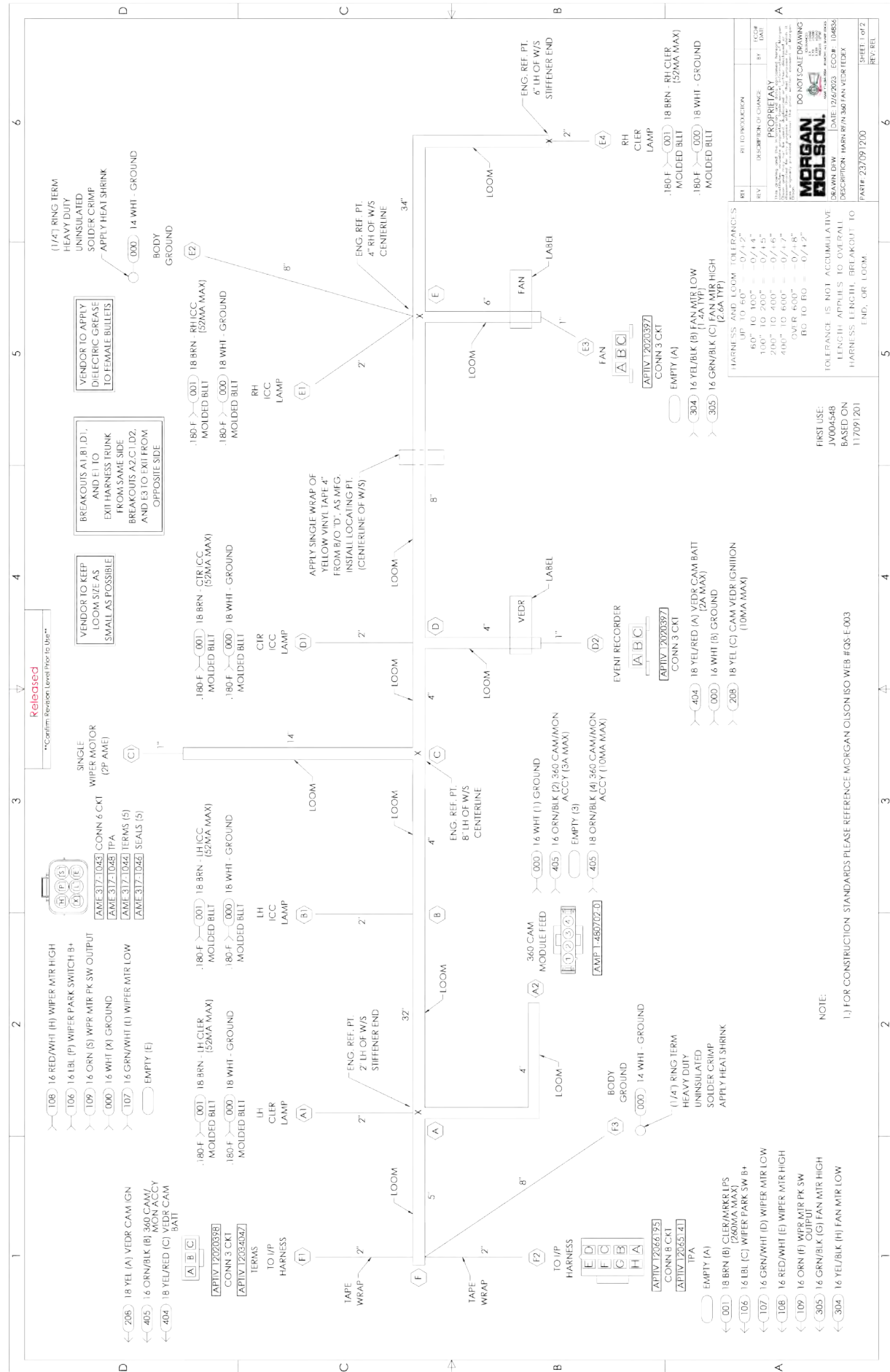
HARNESS AND LOOM TOLERANCES  
UP TO 60" : -0/+2"  
60" TO 100" : -0/+4"  
100" TO 200" : -0/+5"  
200" TO 400" : -0/+6"  
400" TO 600" : -0/+7"  
OVER 600" : -0/+8"  
BO TO BO : -0/+2"  
TOLERANCE IS NOT ACCUMULATIVE. LENGTH APPLIES TO OVERALL HARNESS LENGTH, BREAKOUT TO END, OR LOOM.

CIRCUIT	DESCRIPTION	END POINTS	FUNCTION
B01A	14 BRN 008 1111944 OE 46018504	A1, A3	GENERIC
B01B	14 BRN 005 1111944 OE STR .25	A2, SPLICE 1	GENERIC
B02A	14 RED 008 1111944 OE 46018504	A1, A3	GENERIC
B02B	14 RED 004 1111944 OE STR .25	A2, SPLICE 2	GENERIC
B03A	14 WHT 008 1111944 OE 46018504	A1, A3	GENERIC
B03B	14 WHT 004 1111944 OE STR .24	A2, SPLICE 3	GENERIC





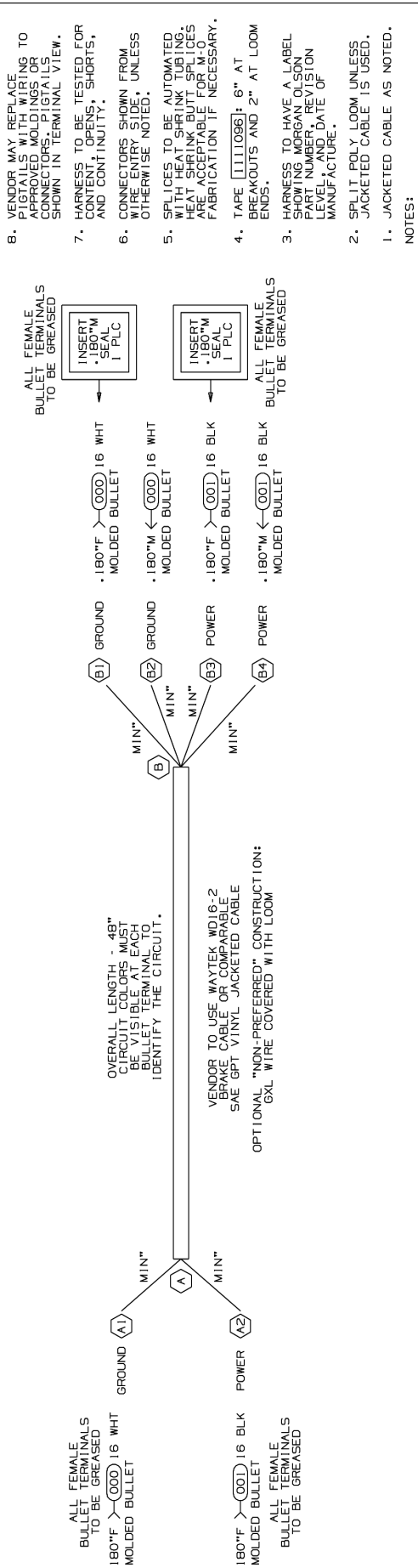






DRAWING NO.	REV	SHT
1-400BB200		1 OF 1
REV.	DESCRIPTION	BY
	RELEASE TO PRODUCTION	

CIRCUIT	DESCRIPTION	END POINTS	FUNCTION
000	16 WHT	A1, B1, B2	GROUND
001	16 BLK	A2, B3, B4	POWER



**PROPRIETARY**

This drawing and the information contained herein are the property of Morgan Olson. It is to be used for the specific purpose intended and is not to be reproduced, stored in a retrieval system, or transmitted in any form or by any means, electronic, mechanical, photocopying, recording, or by any information storage and retrieval system, without the prior written permission of Morgan Olson.

**MORGAN OLSON**

1. TOLERANCE - .0005 UNLESS OTHERWISE SPECIFIED.  
2. DIMENSIONS ARE IN INCHES UNLESS OTHERWISE SPECIFIED.  
3. DIMENSIONS IN PARENTHESES ARE RECOMMENDED FOR FABRICATION.  
4. DIMENSIONS IN SQUARE BRACKETS ARE RECOMMENDED FOR FABRICATION.  
5. DIMENSIONS IN BRACKETS ARE RECOMMENDED FOR FABRICATION.  
6. DIMENSIONS IN BRACKETS ARE RECOMMENDED FOR FABRICATION.  
7. DIMENSIONS IN BRACKETS ARE RECOMMENDED FOR FABRICATION.  
8. DIMENSIONS IN BRACKETS ARE RECOMMENDED FOR FABRICATION.

**HARNESS AND LOOM TOLERANCES**

UP TO 60" = -0/+2"  
60" TO 100" = -0/+4"  
100" TO 200" = -0/+5"  
200" TO 400" = -0/+6"  
400" TO 600" = -0/+7"  
OVER 600" = -0/+8"

BO TO BO = -0/+2"  
TOLERANCE IS NOT ACCUMULATIVE OVERALL HARNESS LENGTH BREAKOUT TO END, OR LOOM.

**NOTES:**

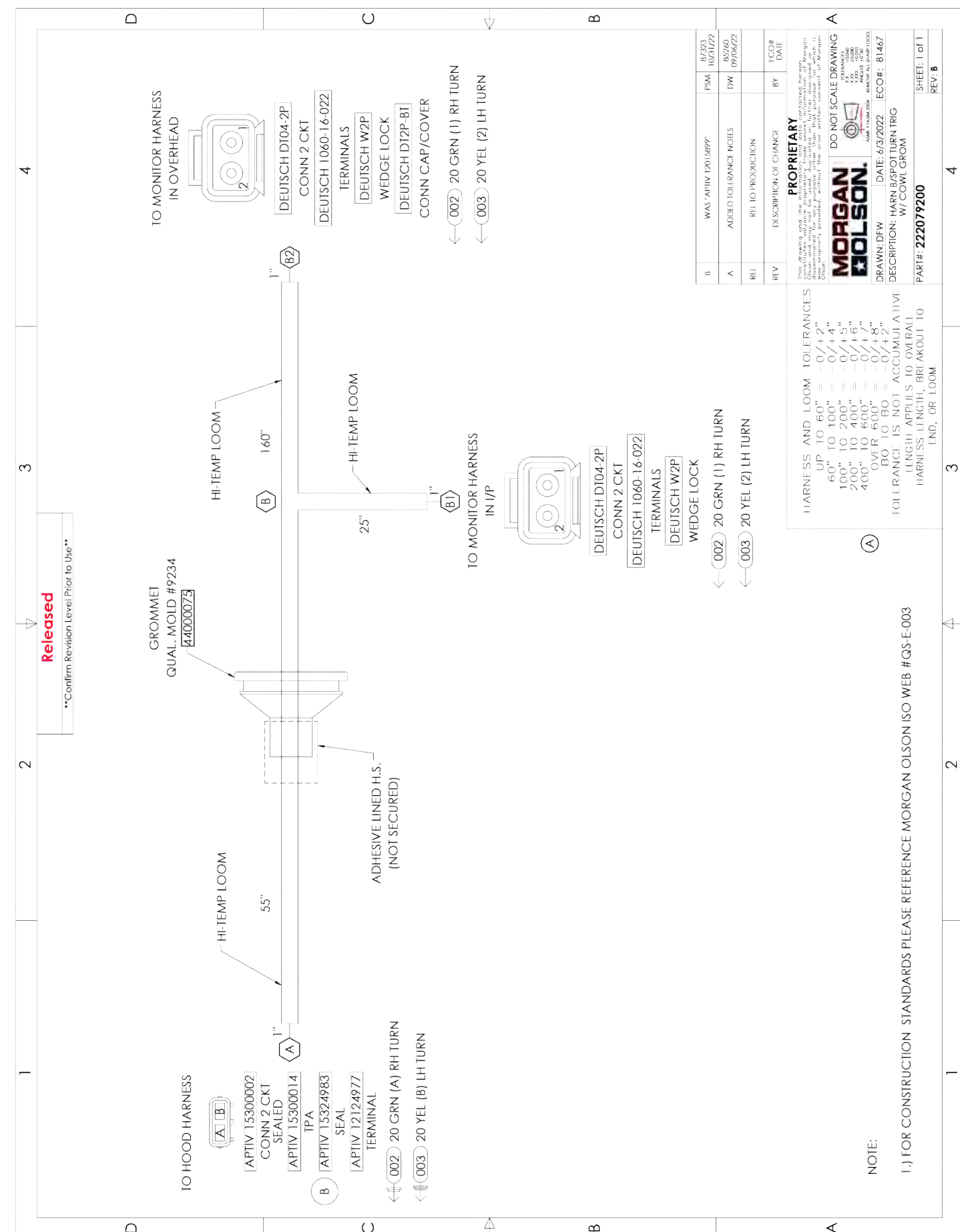
- VENDOR MAY REPLACE PIGTAILS WITH WIRING TO SHOW MOLDINGS OR CONNECTORS TO BE SHOWN IN TERMINAL VIEW.
- HARNESS TO BE TESTED FOR AND CONTINUITY, SHORTS, AND OPEN CIRCUITS.
- CONNECTORS SHOWN FROM THE ENTRY SIDE, UNLESS OTHERWISE NOTED.
- SPLICES TO BE AUTOMATED WITH HEAT SHRINK TUBING. THE TUBING SHALL BE ACCEPTABLE FOR THE FABRICATION IF NECESSARY.
- TAPE (1111096): 6" AT BREAKOUTS AND 2" AT LOOM ENDS.
- HARNESS TO HAVE A LABEL SHOWING MORGAN OLSON PART NUMBER, REVISION LEVEL AND DATE OF MANUFACTURE.
- SPLIT POLY LOOM UNLESS JACKETED CABLE IS USED.
- JACKETED CABLE AS NOTED.

**REVISIONS:**

REV	DATE	DESCRIPTION
1	17DEC13	DO NOT SCALE
2	17DEC13	(HARNESS JUMPER 48" 2W "Y" (180F TO 180F/180M EACH CKT))

DRAWING NO. 1-400BB200  
SCALE NONE  
REV NONE

**FIRST USE:** CURSIDE MARKER



**PROPRIETARY**

This drawing and the information contained herein are the property of Morgan Olson. It is to be used for the specific purpose intended and is not to be reproduced, stored in a retrieval system, or transmitted in any form or by any means, electronic, mechanical, photocopying, recording, or by any information storage and retrieval system, without the prior written permission of Morgan Olson.

**MORGAN OLSON**

1. TOLERANCE - .0005 UNLESS OTHERWISE SPECIFIED.  
2. DIMENSIONS ARE IN INCHES UNLESS OTHERWISE SPECIFIED.  
3. DIMENSIONS IN PARENTHESES ARE RECOMMENDED FOR FABRICATION.  
4. DIMENSIONS IN BRACKETS ARE RECOMMENDED FOR FABRICATION.  
5. DIMENSIONS IN BRACKETS ARE RECOMMENDED FOR FABRICATION.  
6. DIMENSIONS IN BRACKETS ARE RECOMMENDED FOR FABRICATION.  
7. DIMENSIONS IN BRACKETS ARE RECOMMENDED FOR FABRICATION.  
8. DIMENSIONS IN BRACKETS ARE RECOMMENDED FOR FABRICATION.

**HARNESS AND LOOM TOLERANCES**

UP TO 60" = -0/+2"  
60" TO 100" = -0/+4"  
100" TO 200" = -0/+5"  
200" TO 400" = -0/+6"  
400" TO 600" = -0/+7"  
OVER 600" = -0/+8"

BO TO BO = -0/+2"  
TOLERANCE IS NOT ACCUMULATIVE OVERALL HARNESS LENGTH BREAKOUT TO END, OR LOOM.

**NOTES:**

- FOR CONSTRUCTION STANDARDS PLEASE REFERENCE MORGAN OLSON ISO WEB #QS-E-003

**REVISIONS:**

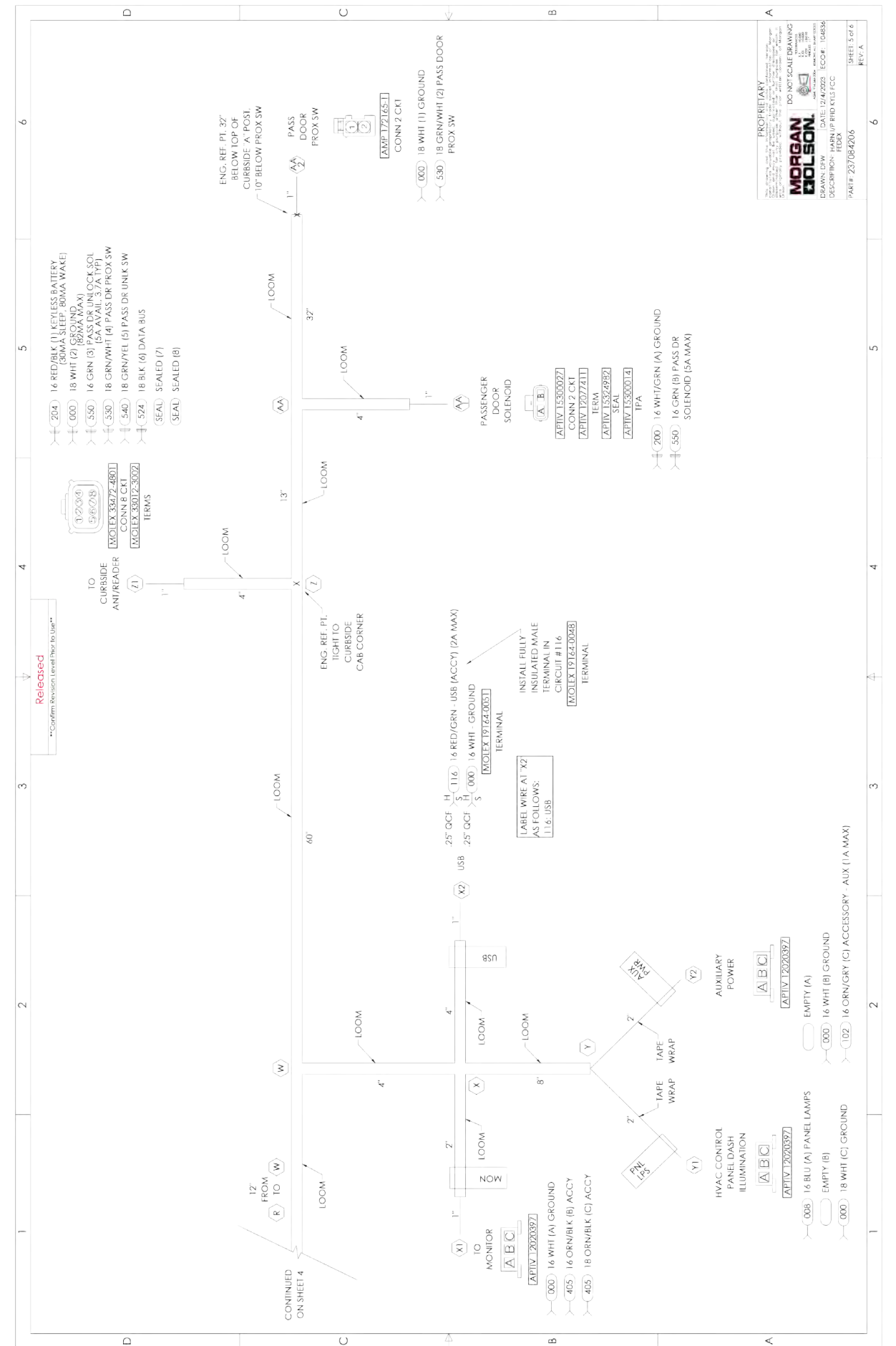
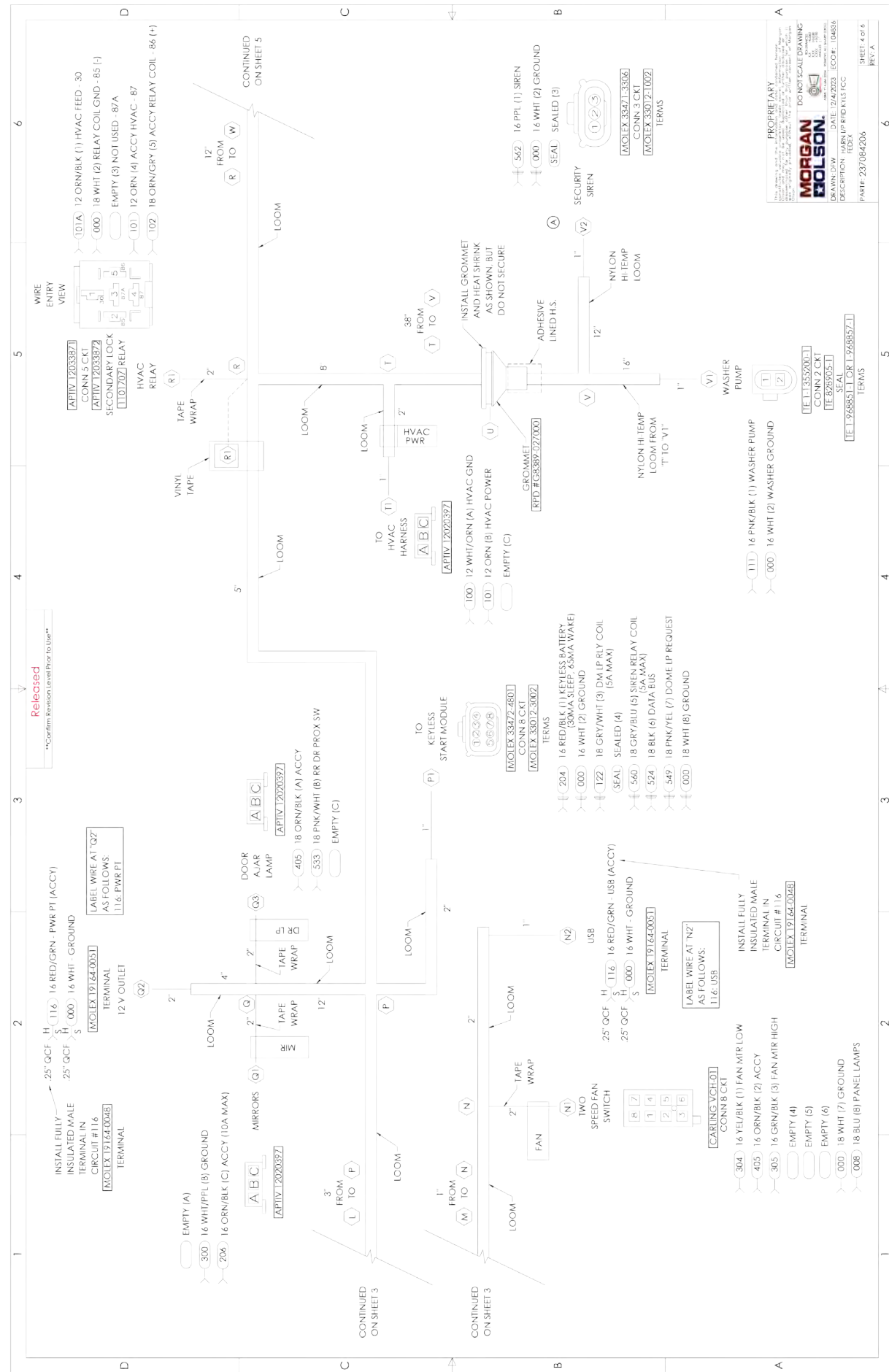
REV	DATE	DESCRIPTION
1	17DEC13	DO NOT SCALE
2	17DEC13	(HARNESS JUMPER 48" 2W "Y" (180F TO 180F/180M EACH CKT))

DRAWING NO. 1-400BB200  
SCALE NONE  
REV NONE

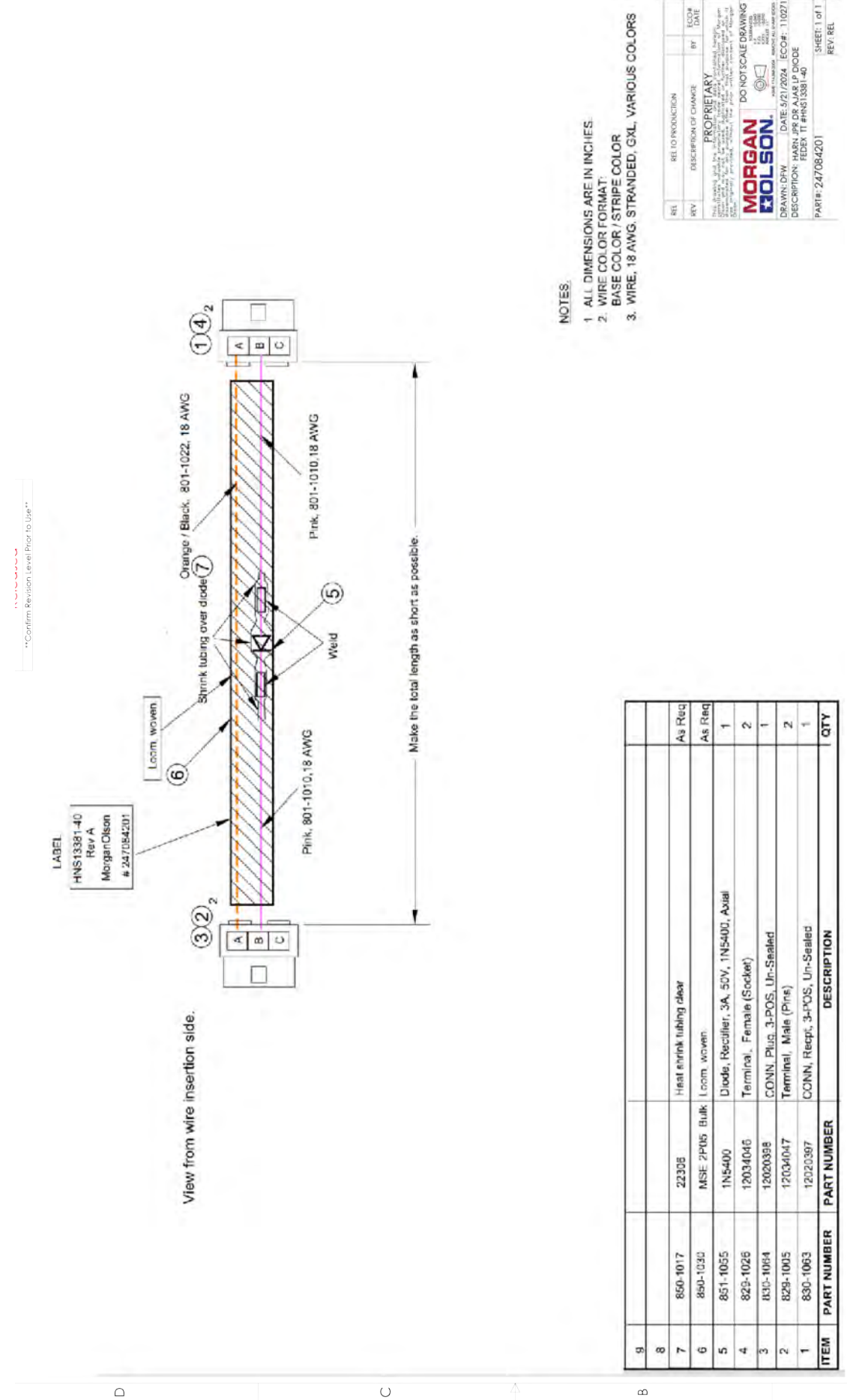
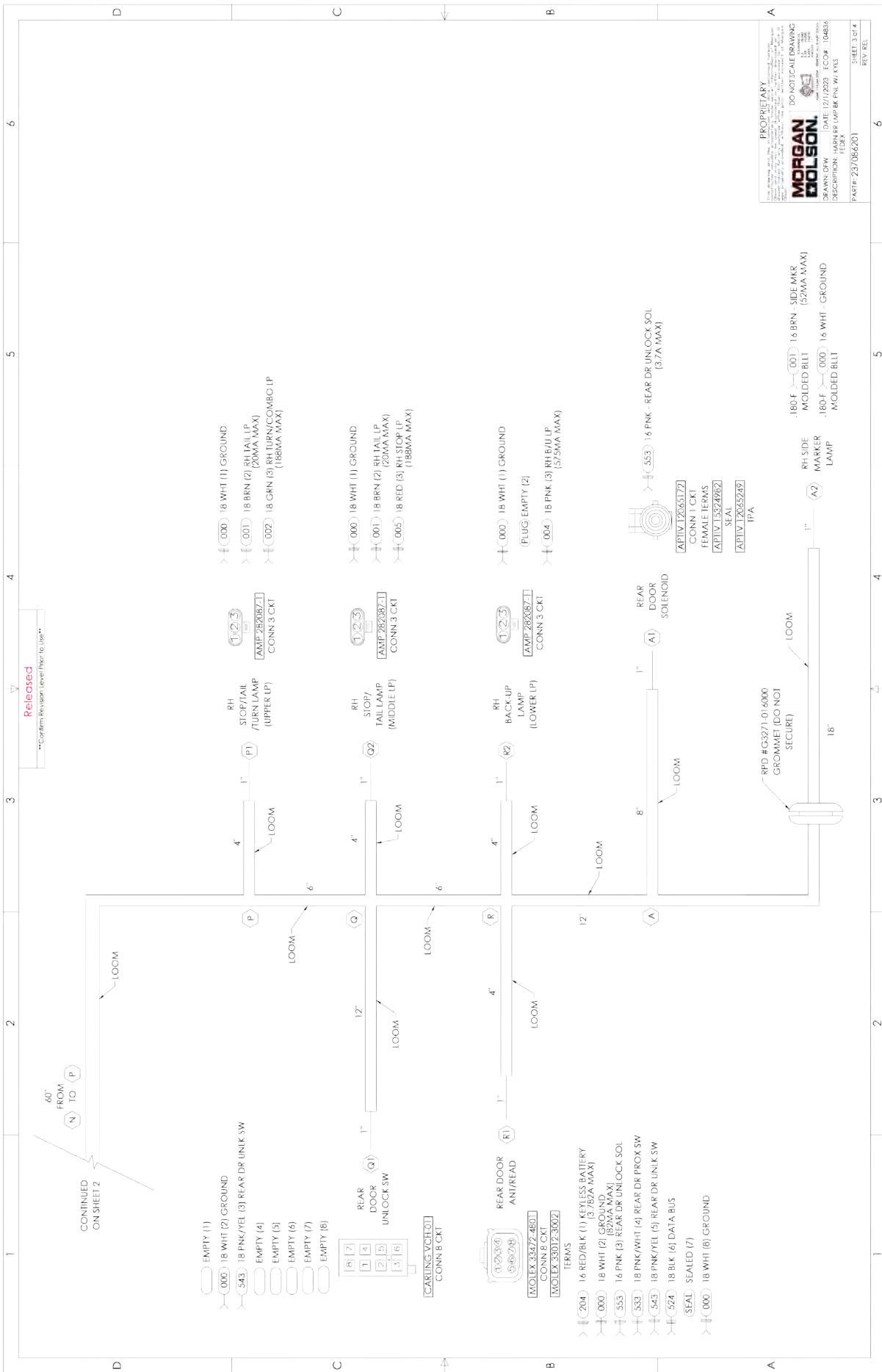
**FIRST USE:** CURSIDE MARKER

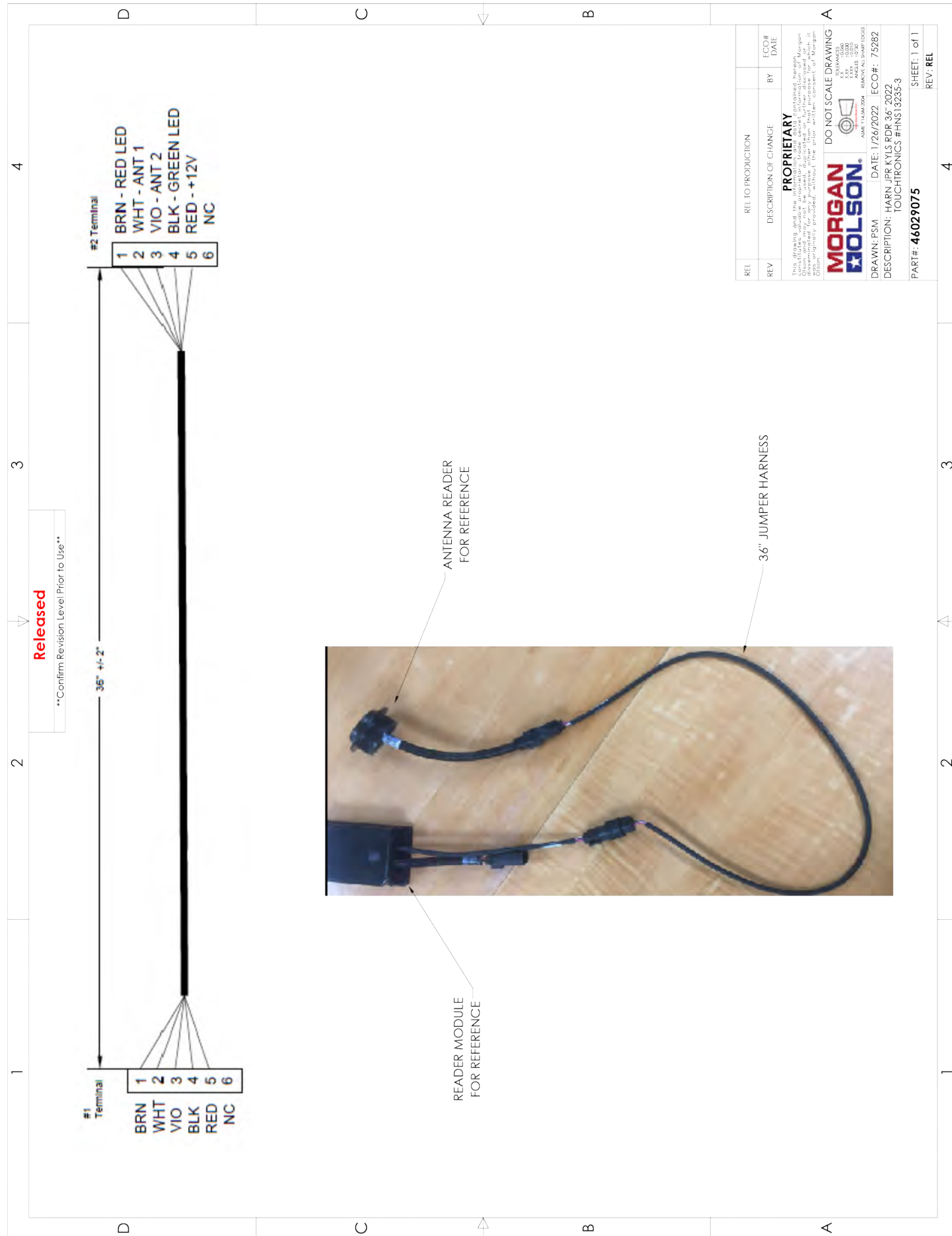












REL	REL TO PRODUCTION	DESCRIPTION OF CHANGE	BY	ECOM#	DATE
REV					

**PROPRIETARY**  
This drawing and its contents are the property of Morgan Olson. It is to be used for the production of Morgan Olson parts only. It is not to be reproduced, stored in a retrieval system, or transmitted in any form or by any means, electronic, mechanical, photocopying, recording, or by any information storage and retrieval system, without the prior written permission of Morgan Olson.

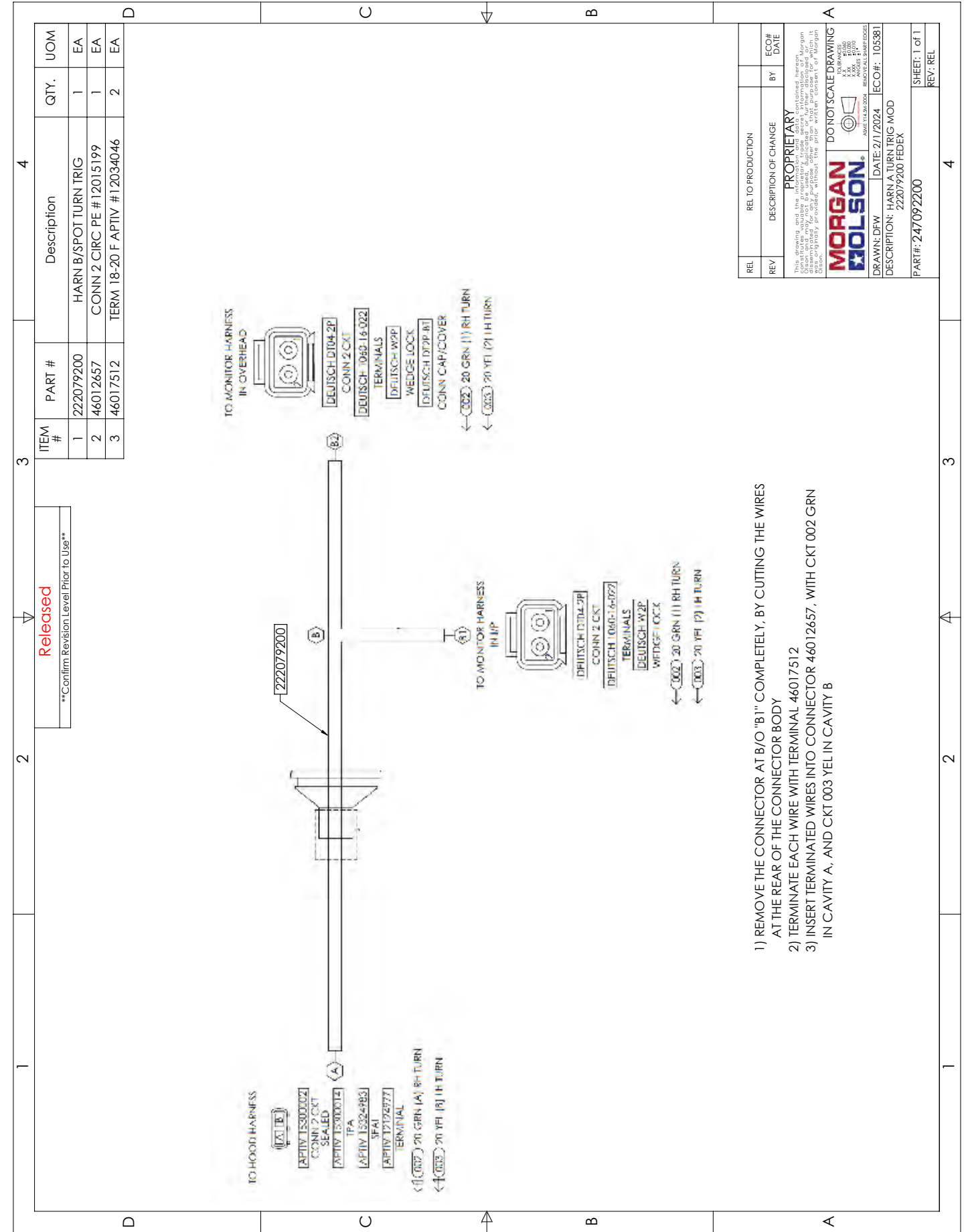
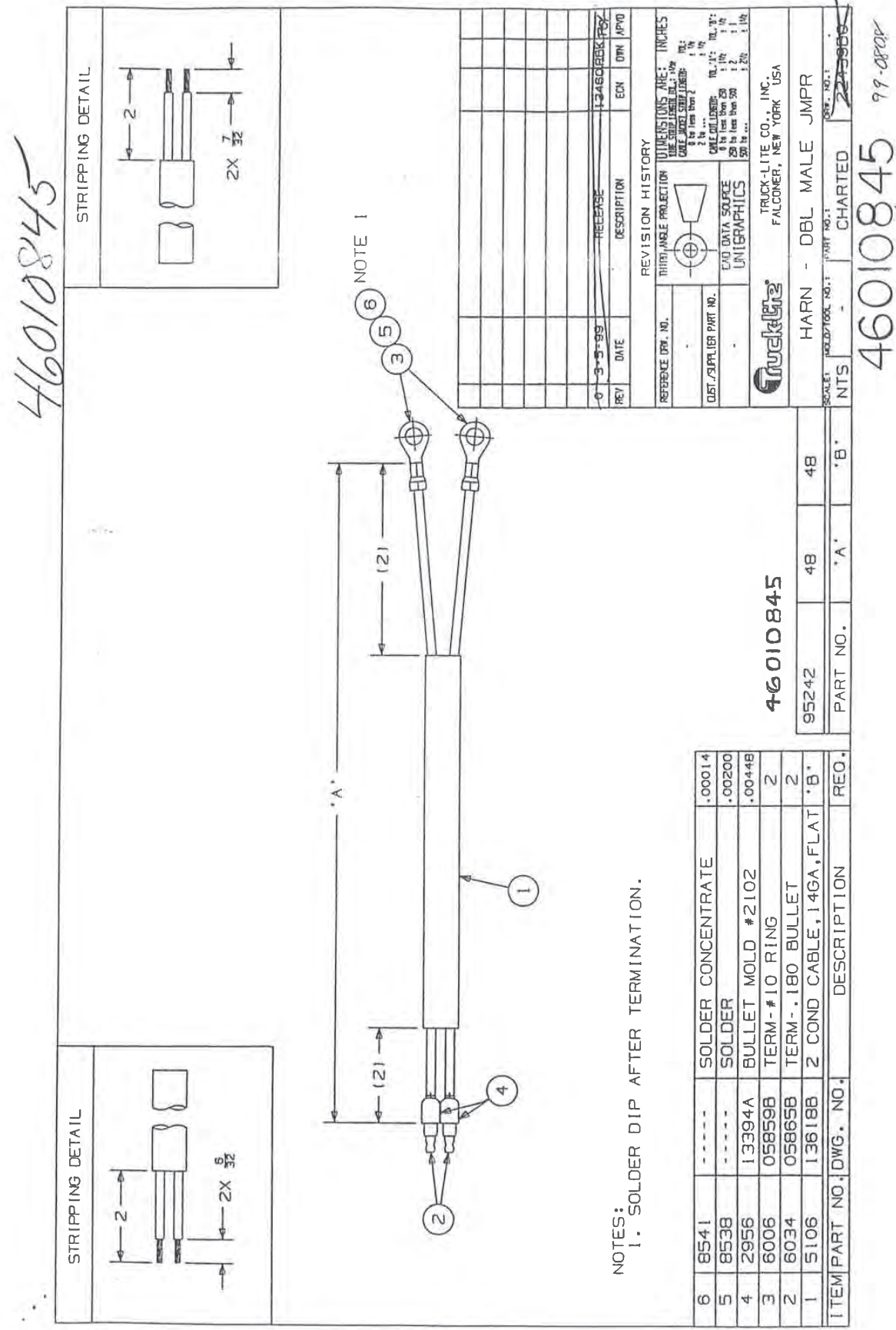
**MORGAN OLSON**  
DO NOT SCALE DRAWING

DATE: 11/08/2011  
DRAWN: JPR  
CHECKED: JPR  
DATE: 1/26/2022  
ECOM#: 75282  
DESCRIPTION: HARN JPR KYLS RDR 36" 2022  
TOUCHTRONICS #HNS13235-3  
PART#: 46029075  
SHEET: 1 of 1  
REV: REL



CAMERA TO MONITOR CABLES

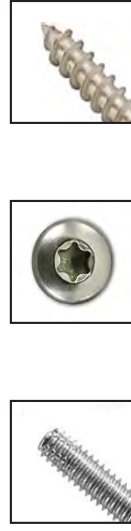
ITEM #	PART #	DESCRIPTION	QTY	UNIT
	48200011	CABLE CAMERA X4'	1	EA
	48200092	CABLE CAMERA X34'	1	EA
	48200137	CABLE CAMERA X15'	1	EA
	48200183	CABLE CAMERA X3'	1	EA
	48200204	CABLE CAMERA X10'	1	EA







	Length											
	Diameter	Fig.	.5	.625	.75	.875	1"	1-1/4"	1-1/2"	2-1/4"	3"	
<b>18-8 Stainless</b>												
PHILLIPS TRUSS M/S 18-8 SS	8 - 32	1		<a href="#">1117716</a>								
PHILLIPS TRUSS M/S 18-8 SS	10 - 24	1	<a href="#">1117800</a>	<a href="#">1117814</a>	<a href="#">40300498</a>		<a href="#">40300451</a>	<a href="#">1117835</a>				
PHILLIPS TRUSS M/S 18-8 SS	1/4 - 20	1			<a href="#">1117784</a>			<a href="#">40300453</a>	<a href="#">40300454</a>			
PHILLIPS TRUSS M/S 18-8 SS	5/16 - 18	1			<a href="#">1117928</a>							
PHILLIPS FLAT M/S 18-8 SS	10 - 32	2					<a href="#">1117830</a>					
PHILLIPS FLAT M/S 18-8 SS	1/4 - 20	2			<a href="#">40300809</a>		<a href="#">1117782</a>			<a href="#">40300630</a>	<a href="#">40300631</a>	
PHILLIPS ROUND M/S 18-8 SS	10 - 24	6			<a href="#">1117209</a>							
6 LOBE PAN T/C M/S 18-8 SS	1/4 - 20	9					<a href="#">1117815</a>					
<b>Standard Steel RoHS</b>												
PHILLIPS ROUND M/S ZC/ROHS	8 - 32	6						<a href="#">1117839</a>				
PHILLIPS PAN TEKS/3 ZC/ROHS	10 - 16	5			<a href="#">1117674</a>							<a href="#">1117793</a>
PHILLIPS TRUSS M/S ZC/ROHS	10 - 24	1										
PHILLIPS TRUSS M/S ZC/ROHS	10 - 32	1	<a href="#">1117723</a>		<a href="#">1117688</a>		<a href="#">1117715</a>					
<b>T/C - Thread Cutting</b>												
PHIL PAN T/S TYPE A ZC	10	8						<a href="#">1117680</a>				
PHIL TRUSS T/S TYPE A BLK	10	4					<a href="#">40300101</a>					
PHIL PAN T/S TYPE A BLK	10	7					<a href="#">40300503</a>					
PHIL PAN T/S TYPE A ZC	12	8			<a href="#">1117666</a>							
6 LOBE PAN T/C	1/4 - 20	9			<a href="#">1117668</a>		<a href="#">40300922</a>		<a href="#">1117684</a>		<a href="#">40300042</a>	

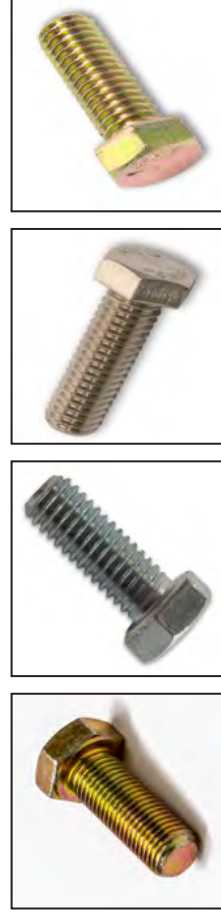


T/C Thread Cutting 6 Lobe Type A

Genuine OEM Parts

1.800.233.4823

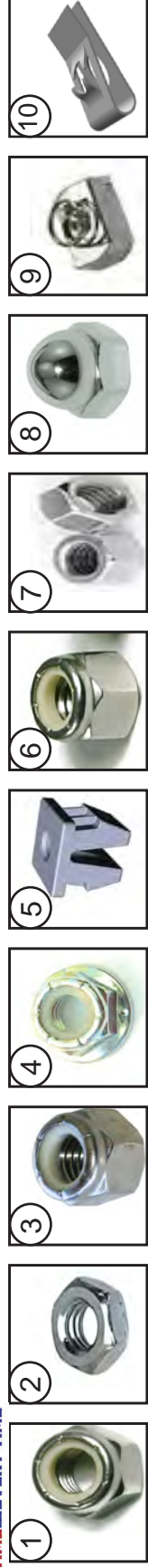
www.morganolsonparts.com



Size	Description	Thread	Lengths													
			.62	3/4"	1"	1-1/4"	1-1/2"	1-3/4"	2"	2-1/2"	3"	3-1/4"	4"			
1/4" Hex Cap Screw	GR5 ZC/RO	20						<a href="#">1117009</a>								
1/4" Hex Cap Screw	GR5 ZC/RoHS	20			<a href="#">1101688</a>							<a href="#">1117818</a>				
1/4" Hex Cap Screw	18-8 Stainless	20		<a href="#">1117816</a>		<a href="#">1117010</a>										
1/4" Hex Cap Screw	ASTM F593C	20			<a href="#">1117819</a>											
5/16" Hex Cap Screw	18-8 Stainless	18			<a href="#">1117045</a>	<a href="#">1117804</a>										
5/16" Hex Cap Screw	GR8 ZC/Y	18			<a href="#">1117803</a>			<a href="#">1117059</a>								<a href="#">40300737</a>
5/16" Hex Cap Screw	ASTM F593	18														
5/16" Hex Cap Screw	GR5 ZC/R	16					<a href="#">1117837</a>									
3/8" Hex Cap Screw	GR8 ZC/Y	18				<a href="#">1117049</a>		<a href="#">1117055</a>								
3/8" Hex Cap Screw	GR8 ZC/Y	16			<a href="#">1117843</a>											
3/8" Hex Cap Screw	GR5 ZC/RO	16			<a href="#">47012646</a>					<a href="#">1117097</a>		<a href="#">051166</a>		<a href="#">1117000</a>		
3/8" Hex Cap Screw	GR5 ZC/RoHS	16	<a href="#">40300056</a>	<a href="#">40300054</a>					<a href="#">40300058</a>	<a href="#">1117040</a>		<a href="#">05125</a>	<a href="#">1117040</a>		<a href="#">05128</a>	
3/8" Hex Cap Screw	ASTM F593C	16						<a href="#">1117805</a>	<a href="#">1117052</a>							
7/16" Hex Cap Screw	GR8 ZC/Y	20						<a href="#">1217000</a>								
1/2" Hex Cap Screw	GR5 ZC/RoHS	13														<a href="#">1117035</a>
1/2" Hex Cap Screw	GR5 ZC/RO	13				<a href="#">1117121</a>						<a href="#">1117050</a>	<a href="#">1117051</a>			
1/2" Hex Cap Screw	GR5 ZC/RoHS	13							<a href="#">1117043</a>	<a href="#">1117124</a>		<a href="#">1117051</a>				
1/2" Hex Cap Screw	GR5 ZC	13						<a href="#">1117036</a>	<a href="#">051461</a>							
5/8" Hex Cap Screw	GR5	11														<a href="#">40300259</a>

	<b>Grade 8</b> Medium Carbon Alloy Steel
	<b>Grade 5</b> Medium Carbon Steel
	<b>Grade 2</b> Low or Medium Carbon Steel

ZC	Zinc Coated
ZP	Zinc Plated
Y	Yellow
GR	Grade
RoHS	AS9100C ISO 9001:2008
ASTM F593C	American Standards Measurements Specifications



ZP - ZINC PLATED

Standard	Thread	FIG.	DIA.									
			#8	#10	1/4"	5/16	3/8"	.44	1/2"			
NYLON LOCKING NUT, HEX	32	1		052266								
NUT "U" SPRING .115 TO .125 PANEL	10-24	10		40301303								
NYLON LOCKING NUT, HEX ZP	24	3		1117307								
NYLON LOCKING NUT, HEX ZP	20	3			1117310							
NYLON LOCKING NUT, HEX ZP	18	3			1117838							
NYLON LOCKING NUT, HEX ZP	16	3				1117344						
LOCKING NUT HEX FLANGE .44-20 OVAL	20	4					1217003					
NUTSERT EXPANDING NYL .275 SQ	20	5		40900006								
NUT NON LOCKING	24	2		1117303								
NUT NON LOCKING	20	2			1117312							
NUT NON LOCKING	16	2				1117316						
<b>GRADE 5</b>												
NUT STL LK LRG FLG GD5 .31-18	18	4					40100560					
NUT STL HEX LK B ZP .5-13 GR 5	13	1									1117283	
<b>18-8 Stainless</b>												
NUT SS LOCKING	32	3		1117347								
NUT SS LOCKING	24	6		1103354								
NUT SS LOCKING	20	6			1117336							
NUT SS NON LOCKING	20	7			40100044							
NUT SS ACORN LOW CROWN	20	8			40100061							
<b>Speciality</b>												
CHANNEL NUT WITH SPRING 1/4-20	20	9					47009988					
CHANNEL NUT WITH SPRING 3/8-16	16	9						47001001				

Genuine OEM Parts

1.800.233.4823

www.morganolsonparts.com

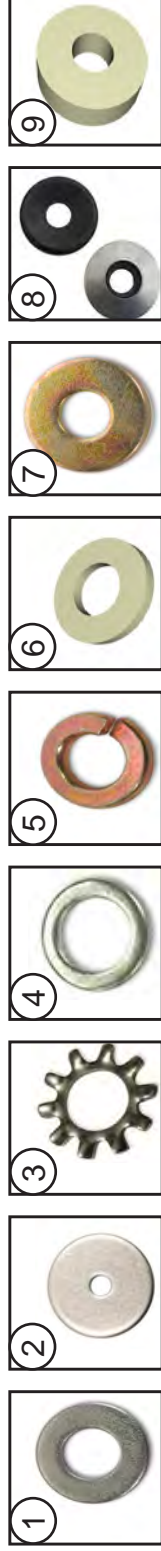


Standard	Diameter	Fig.	Length													
			.25	.312	.375	.438	.44	.5	.562	.625	.687	.75	.875	1"		
HUCK R6-4	.188	1		1117084	1117061											
HUCK R8-6	.25	2		1117087												
PROTRUDING HEAD	.25	3			40200304			40200634				40200303				
FLUSH HEAD B6-4	.25	4							40200630							
RIV AL BRAIZER HEAD	.125	5		1117402	1117404	1117405			1117406							
RIV AL BRAIZER HEAD	.188	5		1117351	1117353	1117355			1117357	1117359	1117361	1117363	1117365	1117368		
RIV AL BRAIZER HEAD	.25	5							1117380	1117385	1117382	1117386		1117395		
RIV AL BRAIZER HEAD MOD	.25	5			40200213			40200214	1117409	1117410		1117408		1117390		
RIV AL FLAT HEAD	.125	7			85780100											
RIV AL FLAT HEAD	.188	7			1117434	1117436			1117438		1117440	1117442				
RIV AL FLAT HEAD	.25	7														
RIV AL POP	.125	10		1117464												
RIV AL POP #10	.406	10		1117456												
RIV AL POP AD 66 BS		10			1117457											
RIV AL POP AD 68 BS									1117458							
RIV AL POP AD 610 BS										1117459						
POP AL OPEN END BLIND	.125	6			1117421											
POP AL OPEN END BLIND	.188	6		1117456								1117459				
POP CLSD BLACK		8										40200631				
SNAP FASTENER		9														
BULB TYPE BLIND w/WASHER	.188	10			40200621											

Genuine OEM Parts

1.800.233.4823

www.morganolsonparts.com



Standard	I/D	FIG.	3/8	1/2	9/16	5/8	3/4"	7/8	1"	1-1/4"	1-3/4"
#10 TYPE B FLAT WASHER ZINC/ROHS	.190	1			<a href="#">1117929</a>						
#10 X 1 FENDER WASHER ZC	.190	2							<a href="#">1117950</a>		
#10 EXTERNAL TOOTH LW ZC	.190	3	<a href="#">1117971</a>								
1/4 EXTERNAL TOOTH LW ZC	1/4	3		<a href="#">1117975</a>							
1/4 TYPE B NARROW FLAT WASHER	1/4	4			<a href="#">1117941</a>						
1/4 USS FLAT WASHER ZC/ROHS	1/4	1					<a href="#">1117953</a>			<a href="#">40300918</a>	
1/4 F436 (A325) FLAT WASHER ZC/ROHS	1/4	1				<a href="#">40000047</a>					
FLAT WASHER .060 THICK ZC/RO	1/4	1							<a href="#">1117952</a>		
1/4 USS FLAT WASHER	1/4	1		<a href="#">1117885</a>							
5/16 SPLIT LOCK WASHER ZC/ROHS	5/16	5	<a href="#">1117965</a>								
5/16 USS FLAT WASHER ZC/ROHS	5/16	1						<a href="#">1117955</a>			
3/8 USS FLAT WASHER ZC/ROHS	3/8	1						<a href="#">1117957</a>			
3/8 X 1 FLAT WASHER 1/4 THK NYLON	3/8	6							<a href="#">40000038</a>		
1/2 TYPE B REGULAR FLAT WASHER	1/2	1								<a href="#">40000050</a>	
1/2 TYPE B REGULAR FLAT WASHER ZC	1/2	1								<a href="#">1117945</a>	
1/2 TYPE B WIDE FLAT WASHER ZC/ROHS	1/2	1									<a href="#">1117959</a>
<b>Grade 8</b>											
1/4 FLAT WASHER GR 8 ZC/Y	1/4	7					<a href="#">85761003</a>				
5/16 FLAT WASHER GR 8 ZC/Y	5/16	7						<a href="#">1117937</a>			
3/8 FLAT WASHER GR 8 ZC/Y	3/8	7					<a href="#">40000046</a>		<a href="#">1117947</a>		
7/16 FLAT WASHER GR 8 ZC/Y	7/16	7								<a href="#">1217002</a>	
1/2 FLAT WASHER GR 8 ZC/Y	1/2	7							<a href="#">1117943</a>	<a href="#">1217002</a>	
<b>Stainless 18-8</b>											
#10 X 5/8 BONDED SEALER 18-8 SS	.190	8		<a href="#">85761250</a>		<a href="#">40000053</a>					
1/4 X 5/8 BONDED SEALER 18-8 SS	1/4	8				<a href="#">40000051</a>					
3/8 X 3/4 BONDED SEALER 18-8 SS	3/8	8					<a href="#">40000054</a>				
3/8 X 1" BONDED SEALER 18-8 SS	3/8	8							<a href="#">40000055</a>		
1/4 EXTERNAL TOOTH SS LW ZC	1/4	3		<a href="#">40000510</a>							
<b>Speciality</b>											
WASHER NYLON .13 X .62 ID X 1.38OD	5/8	9									<a href="#">137147429</a>

MORGAN★OLSON.  
**QUALITY**  
ON TIME★EVERY TIME