

MORGAN
★ OLSON

ROUTE STAR®



W1200

SERVICE PARTS CATALOG



800.233.4823

www.morganolsonparts.com

Parts Catalog for FedEx Express W1200

Asset Numbers 275392 - 275881 (490 Units)

JV004685

To order parts from Morgan Olson:

Method 1

Go to our parts website, www.morganolsonparts.com, and search your VIN to generate a list of replacement parts directly from your walk-in van Bill of Material.

You may filter the list of items further by selecting the category for the location of the parts. (Bumper, Hood, Glass, Rear Door, etc.)

To search by part number, description, unit number or VMRS number, use the search drop-down menu to change the search options.

Method 2

Use this parts catalog to identify your part numbers.

Go to www.morganolsonparts.com, search by part number, click on Add to Cart or click on the item for additional details, then click Add to Cart.

Method 3

Call our Parts Department at 1-800-233-4823.

Please remember to have your VIN available and one of our customer service representatives will be happy to help you identify the replacement parts you need.

*If you already know the part numbers of the items you want to order, use our Quick Order page to enter your part numbers and quantities, then click Add to Cart.
<https://www.morganolsonparts.com/quick-order>

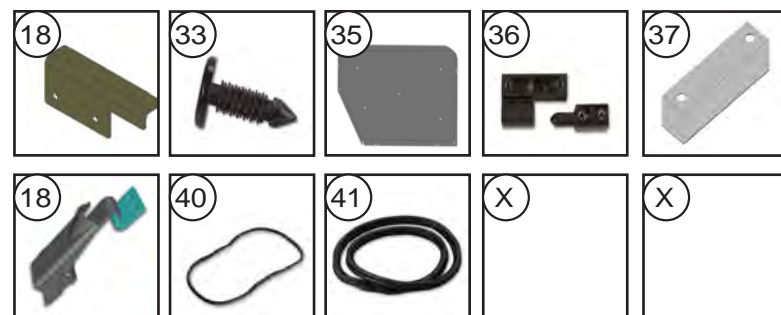
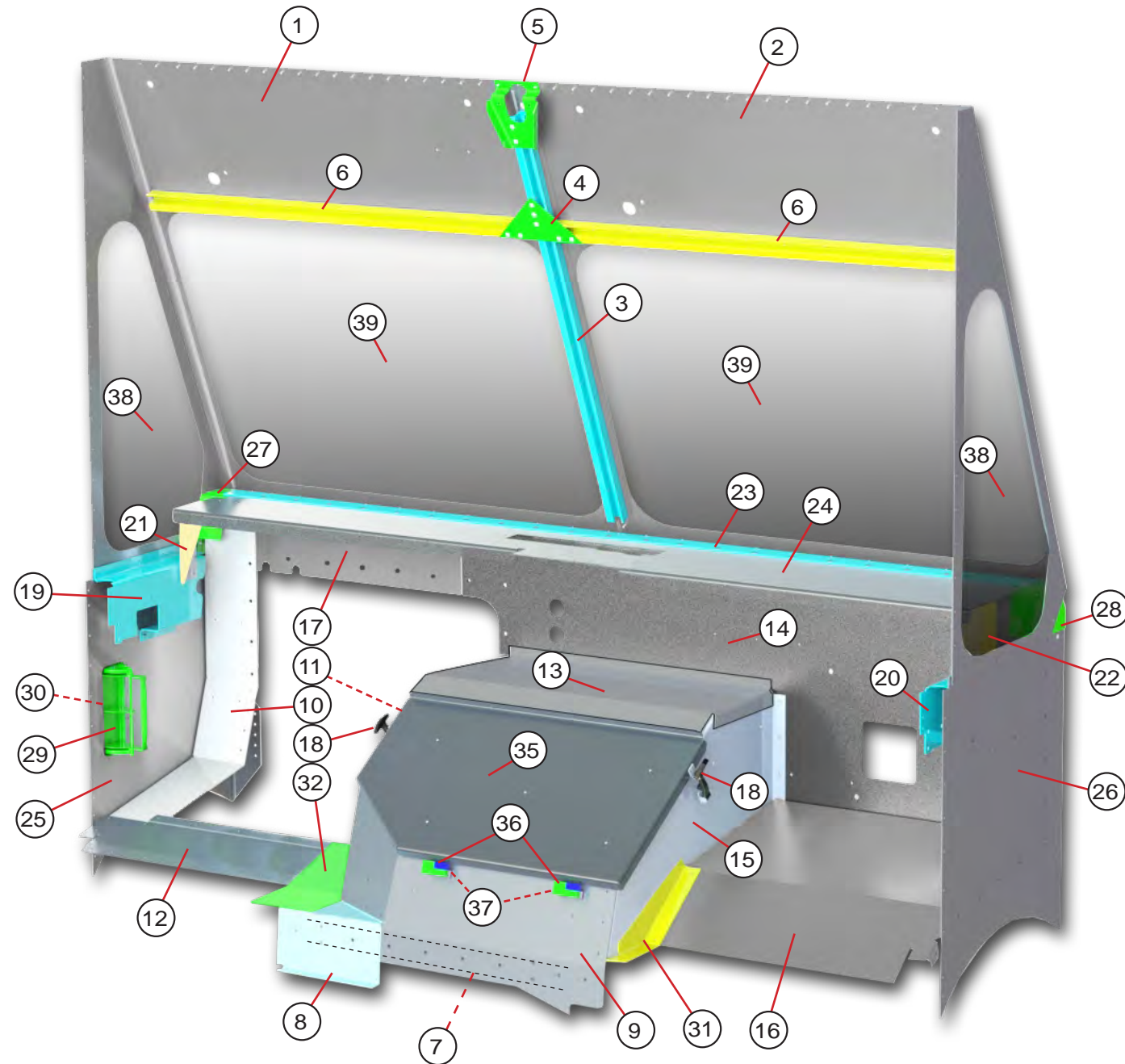
Note* Orientation is always from the rear of the vehicle looking forward.

Roadside = Left Hand LH

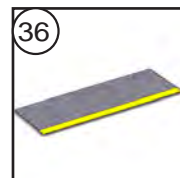
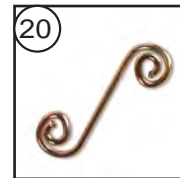
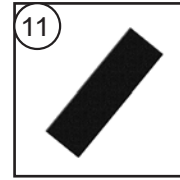
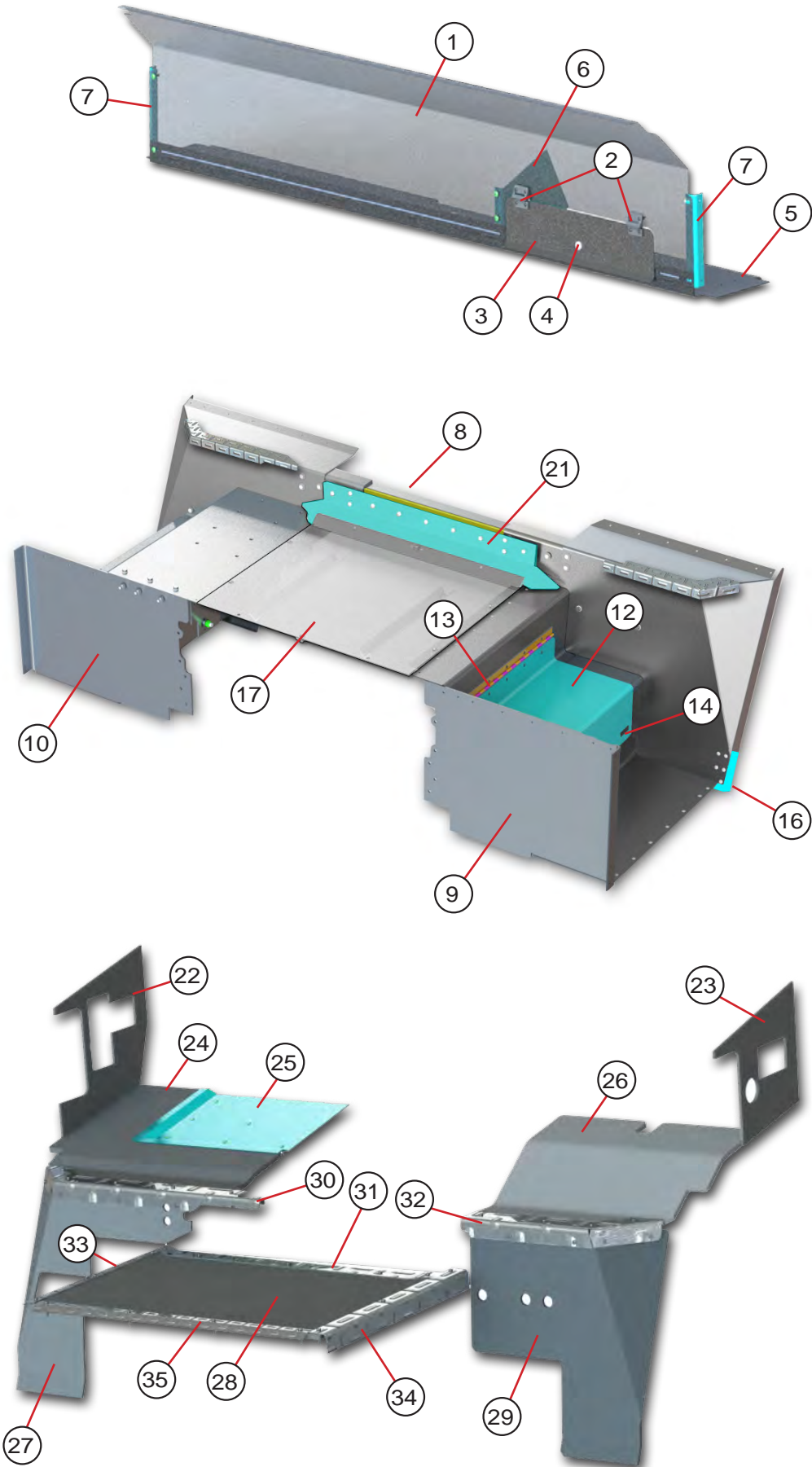
Curbside = Right Hand RH

For warranty information, please call 1-800-262-3437

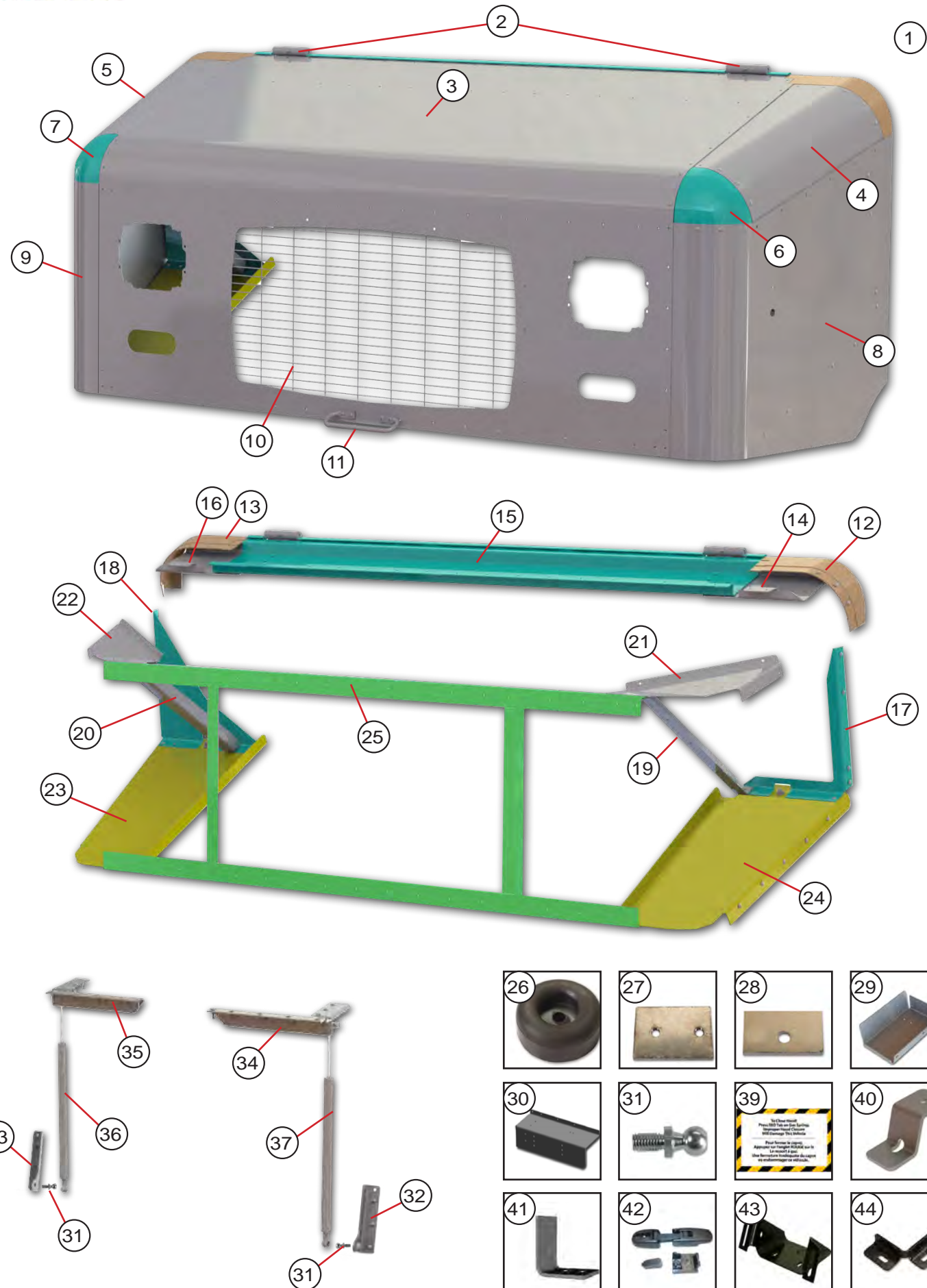
INTRODUCTION	2
TABLE OF CONTENTS	3
CAB & FRONT FRAME	4-5
WIPER COVER & STEP ASSEMBLIES	6-7
HOOD	8-9
INSTRUMENT PANEL & SEATS	10-11
HEATER	12-13
FLOOR	14
ROOF	15
SIDES	16-17
BULKHEAD	18
BACK	19
SIDE DOORS	20-21
SIDE DOOR POCKETS	22-23
REAR DOOR P/N 47005964	24-27
SHELVES	28
BUMPERS	29
MIRRORS AND WIPER ASSEMBLY	20-31
ELECTRICAL	32-33
ACCESSORIES / MISCELLANEOUS	34-36
KEYLESS SYSTEMS	37
WIRING HARNESS	38
WIRING DIAGRAMS	39-61
COMMON FASTENERS FOR WALK-IN VANS	62-66



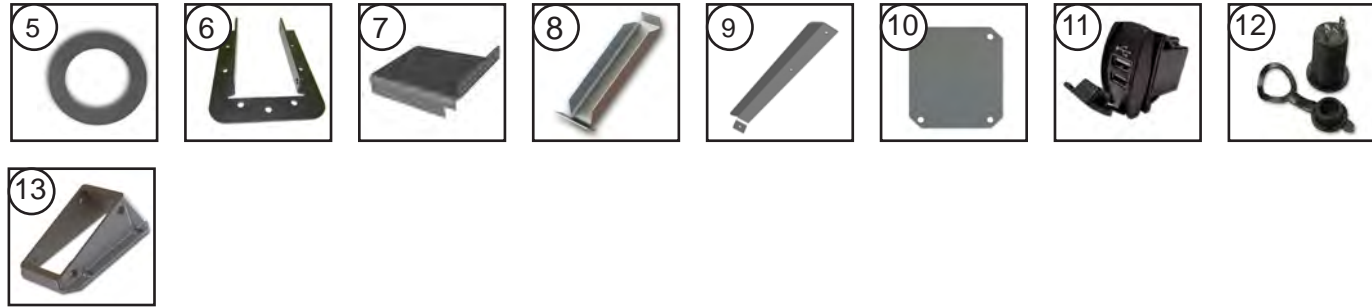
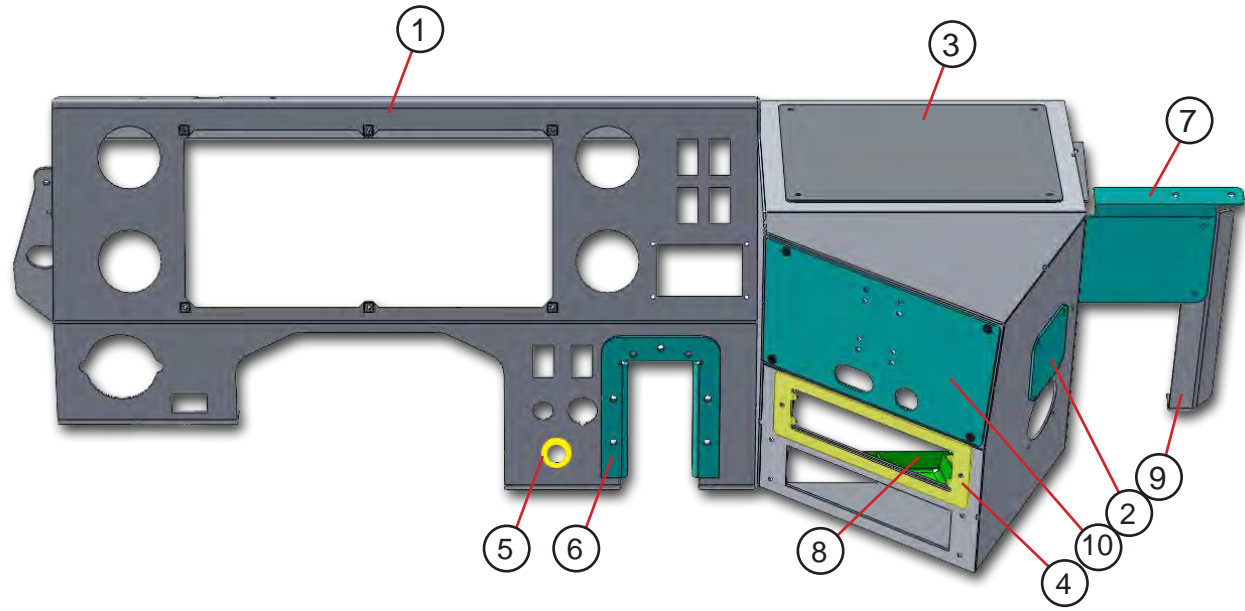
ITEM #	PART #	DESCRIPTION	QTY.	UNIT
1	247055400	FRAME W/S AL .102X53.45X67.53 LH	1	EA
2	247055401	FRAME W/S AL .102X53.45X67.76 RH	1	EA
3	077055401	POST W/S CENTER AL 450540X44	1	EA
4	077055402	GUSSET FRAME W/S AL .125X6.49X7.27	1	EA
5	998555329	GUSSET FRAME W/S AL .125X4.6X9.19	1	EA
6	077055405	STIFFENER WINDSHIELD AL 450540X41.75	2	EA
7	077050402	SHIM AL .25X1.63X20.8	1	EA
8	187005416	FILLER SADDLE AL .125X11X14.98	1	EA
9	190005400	ENGINE BOX SADDLE AL .125X20.41X33.26	1	EA
10	187005411	TOEBOARD DASH AL .125X4.6X44.49 LH	1	EA
11	190005401	ENGINE BOX SIDE AL .102X19.64X30.51 LH	1	EA
12	187005410	TOEBOARD AL .125X8.48X30.09 LH	1	EA
13	190005402	ENGINE BOX TOP AL .125X15.86X33.58	1	EA
14	217005444	DASH WALL AL .125X25.89X61.35	1	EA
15	190005403	ENGINE BOX HOUSING AL .102X22.53X32.55 RH	1	EA
16	117005408	DASH PANEL AL .102X26.96X27.83 RH	1	EA
17	217005404	DASH WALL AL .125X8.73X27.29	1	EA
18	47000932	DRAW LATCH ENGINE BOX	2	EA
19	227005405	STIFFENER WINDSHIELD AL .125X13.24X17.69 LH	1	EA
20	228005402	STIFFENER WINDSHIELD AL .125X13.24X17.69 RH	1	EA
21	177005411	SUPPORT RAIL WINDSHIELD AL .102X8.26X9.65 LH	1	EA
22	177005412	SUPPORT RAIL WINDSHIELD AL .102X8.26X9.65 RH	1	EA
23	248005400	RAIL WINDSHIELD 93W AL 851100X89	1	EA
24	187005417	SHELF DASH AL .125X13.73X84	1	EA
25	238005421	CAB SKIRT AL .07X27.42X30.57 LH	1	EA
26	238005406	CAB SKIRT AL .07X27.29X30.57 RH	1	EA
27	8502000	CORNER AL CAST W/S LH	1	EA
28	8502001	CORNER AL CAST W/S RH	1	EA
29	47008545	VENT AL 2WAY HINGELESS	1	EA
30	47008548	GASKET FOR VENT #47008545	1	EA
31	077050406	GUSSET TOEBOARD AL .125X5.33X14.88 RH	1	EA
32	178050400	PLATE HEEL SCUFF ALD .125X7X13.38	1	EA
33	47006630	CLIP PLASTIC ROUND/HEAD 1.32-1.34	12	EA
34	1107270	SEAL TRIM QUICK EDGE - ENGINE BOX	8	FT
35	198028410	LID ENGINE BOX AL .102X20.05X34.03	1	EA
36	47007859	HINGE OFFSET	2	EA
37	117028400	SHIM ENG BOX LID	2	EA
38	006756400	GLASS SIDE WINDOW 85H TRI 30 DEG	2	EA
39	005756400	GLASS WINDSHIELD FRONT 31.29X41.54	2	EA
40	44004304	WEATHERSTRIP FOR GLASS X142.5	2	EA
41	44004309	WEATHERSTRIP FOR GLASS X86.25	2	EA



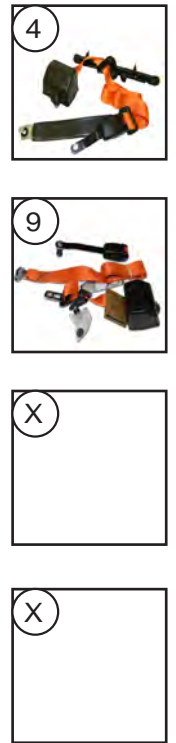
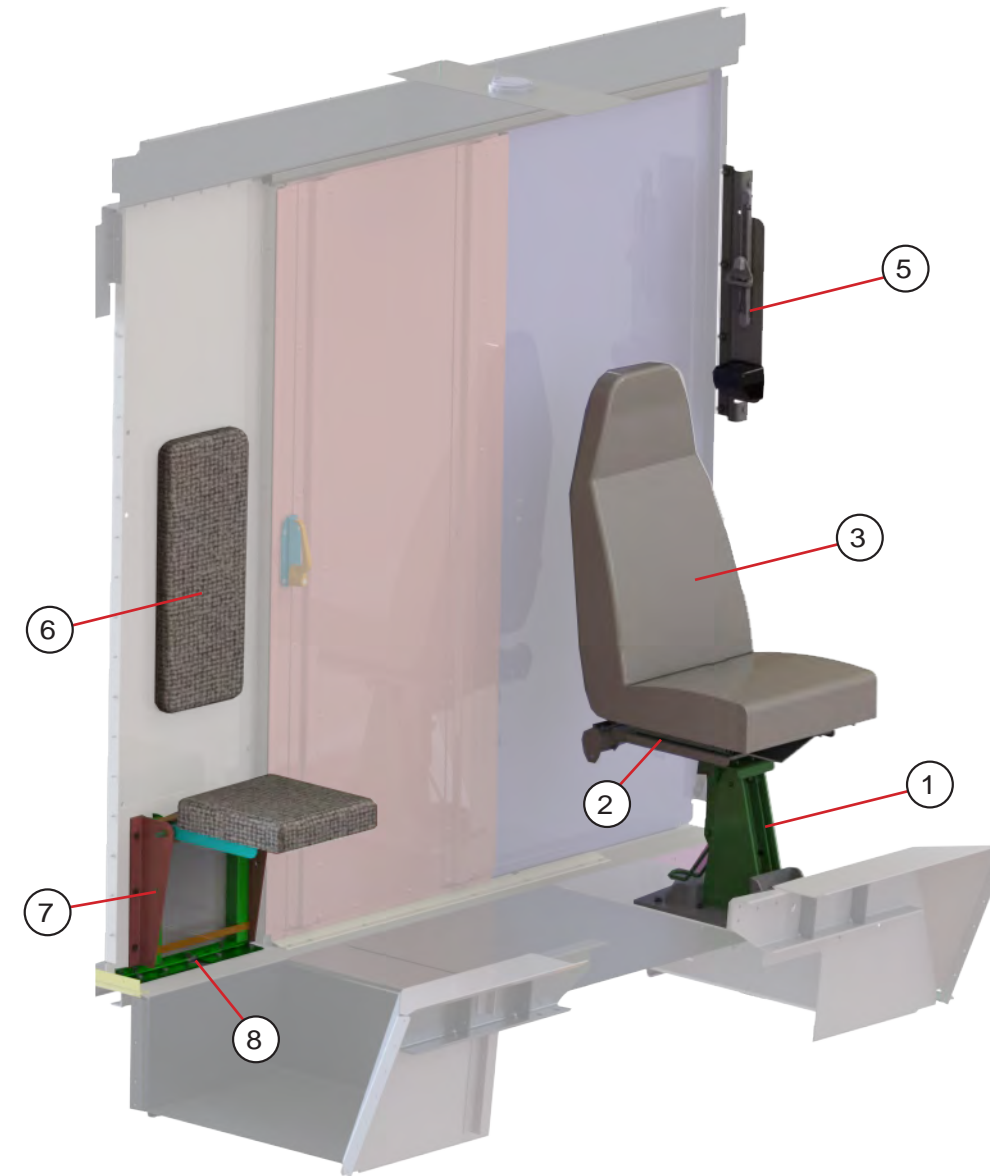
ITEM #	PART #	DESCRIPTION	QTY	UNIT
1	230076420	COVER WIPER MOTOR AL .07X21.09X83	1	EA
2	47007888	HINGE - COMPARTMENT DOOR (SHIM X2 240076405)	2	EA
3	103076400	DOOR - OVERHEAD COMPARTMENT AL .102X5.81X23	1	EA
4	47001500	LOCK CYLINDER 1-PT W/2 KEYS	1	EA
5	230076419	SHELF OVERHEAD AL .102X11.96X87	1	EA
6	230076411	DIVIDER SHELF WIPER COVER AL .102X9.76X9.89	1	EA
7	230076406	BRACKET MOUNTING AL .102X2.18X9.13	2	EA
8	077240400	CROSSMEMBER CENTER AL 456106X41	1	EA
9	248024200	STEP ASSEMBLY 88W RH	1	EA
10	248024207	STEP ASSEMBLY 88W LH	1	ea
11	96724608	PAD DAMPENING VNL452000X9X20	1	EA
12	248024400	LID BATTERY AL .125X22.25X23.65	1	EA
13	187024401	HINGE AL .075X1.12X1.75X20	1	EA
14	45503042	LATCH COMPRESSION RECESSED	2	EA
NS	107024416	PLATE FILLER STEP AL .125X4.03X4.87LH	1	EA
16	107024415	PLATE FILLER STEP AL .125X4.03X4.87RH	1	EA
17	207024202	TRANSVERSE FLOOR ASSEMBLY AL FCC	1	EA
18	40900080	STUD	8	EA
19	40900081	GROMMET HALF	10	EA
20	40900082	SPRING	8	EA
21	208024412	ANGLE TRIM/FLOOR AL .102X6.49X38.7	1	EA
22	44000408	MAT CAB SKIRT 17.44X19.77 LH	1	EA
23	44000409	MAT CAB SKIRT 15.45X17.44 RH	1	EA
24	44000290	FLOOR MAT TOEBOARD LH	1	EA
25	247019400	PLATE SCUFFF ALD .125X15.07X20.99	1	EA
26	44000293	FLOOR MAT TOEBOARD RH	1	EA
27	44000433	FLOOR MAT STEP RISER LH	1	EA
28	44000406	FLOOR MAT CAB 25.89X38.11	1	EA
29	44000434	FLOOR MAT STEP RISER RH	2	EA
30	247019430	TRIM TOEBOARD ALD .125X7.93X34.84 LH	1	EA
31	247019408	TRIM FLOOR ALD .125X3.8X36.77	1	EA
32	247019431	TRIM TOEBOARD ALD .125X7.94X22.47 RH	1	EA
33	247019421	TRIM FLOOR TRANSVERSE ALD .125X1.78X25 LH		EA
34	247019406	TRIM FLOOR TRANSVERSE ALD .125X3.94X27 RH	1	EA
35	247019420	TRIM FLOOR TRANSVERSE ALD.125X2.03X35.28 @ O-LINE	1	EA
36	45400588	PLATE STEP FIBERGLASS .17X9.75X17.63 LH LOWER	1	EA
36	45400589	PLATE STEP FIBERGLASS .17X7.19X23 RH LOWER	1	EA
37	45400601	PLATE STEP FIBERGLASS .17X9.72X19.75 RH UPPER	1	EA
37	45400602	PLATE STEP FIBERGLASS .17X7.38X17.63 LH UPPER	1	EA



ITEM #	PART #	DESCRIPTION	QTY.	UNIT
1	197017000	HOOD INSTALLATION TLT 93W	1	EA
2	47007852	HINGE COMPLETE ASSEMBLY	2	EA
3	197017400	PANEL HOOD AL	1	EA
4	088017416	COWL HOOD AL LH	1	EA
5	088017417	COWL HOOD AL RH	1	EA
6	45100057	CORNER CASTING KNEE COWL FRONT LH	1	EA
7	45100058	CORNER CASTING KNEE COWL FRONT RH	1	EA
8	088017414	SKIRT HOOD AL LH	1	EA
9	088017415	SKIRT HOOD AL RH	1	EA
10	45700101	GRILLE WIRE MESH 20.5X38.81	1	EA
11	90187300	GRAB HANDLE .5DIAX15.7	1	EA
12	45100060	CAP AL COWL END AFT LH	1	EA
13	45100061	CAP AL COWL END AFT RH	1	EA
14	115017403	STIFFENER HOOD AL LH	1	EA
15	088017419	STIFFENER HOOD AL X63.62	1	EA
16	115017404	STIFFENER HOOD AL RH	1	EA
17	197017404	SPLASH PAN SUPPORT AL LH	1	EA
18	197017406	SPLASH PAN SUPPORT AL RH	1	EA
19	197017405	STRAP AL LH	1	EA
20	088017438	STRAP AL RH	1	EA
21	95817312	GUSSET CORNER AL LH	1	EA
22	95817313	GUSSET CORNER AL RH	1	EA
23	197017404	SPLASH PAN HOOD AL LH	1	EA
24	197017401	SPLASH PAN HOOD AL RH	1	EA
25	207017200	SUPPORT ASSEMBLY GRILLE 93W	1	EA
26	44002004	BUBBER BUMPER HOOD REST	2	EA
27	91617304	TAP PLATE HOOD HINGE AL	2	EA
28	96717312	SHIM AL	2	EA
29	197026400	SPLASH PAN AL LH	1	EA
30	147026401	SPLASH PAN AL RH	1	EA
31	40900019	STUD BALL	4	EA
32	124016403	BRACKET HOOD LOWER AL LH	1	EA
33	124016404	BRACKET HOOD LOWER AL RH	1	EA
34	197016401	BRACKET GAS SPRING AL LH	1	EA
35	197016402	BRACKET GAS SPRING AL RH	1	EA
36	47006116	GAS SPRING WITH LOCK 150LB 28/16.5 IGS	1	EA
37	47006117	GAS SPRING W/O LOCK 150LB 28/16.5 IGS	1	EA
39	43001025	HOOD PROPER INSTRUCTION LABEL (ENG/FR)	1	EA
40	227017400	BRACKET REINFORCEMENT (HOOD HINGE)	2	EA
41	097016404	SUPPORT ANGLE LH (RH - 097016405)	1	EA
42	47000614	HOOD LATCH	2	EA
43	077150400	SUPPORT BRACKET HOOD - STEEL	2	EA
44	96713300	ANGLE HOOD REST STEEL	2	EA



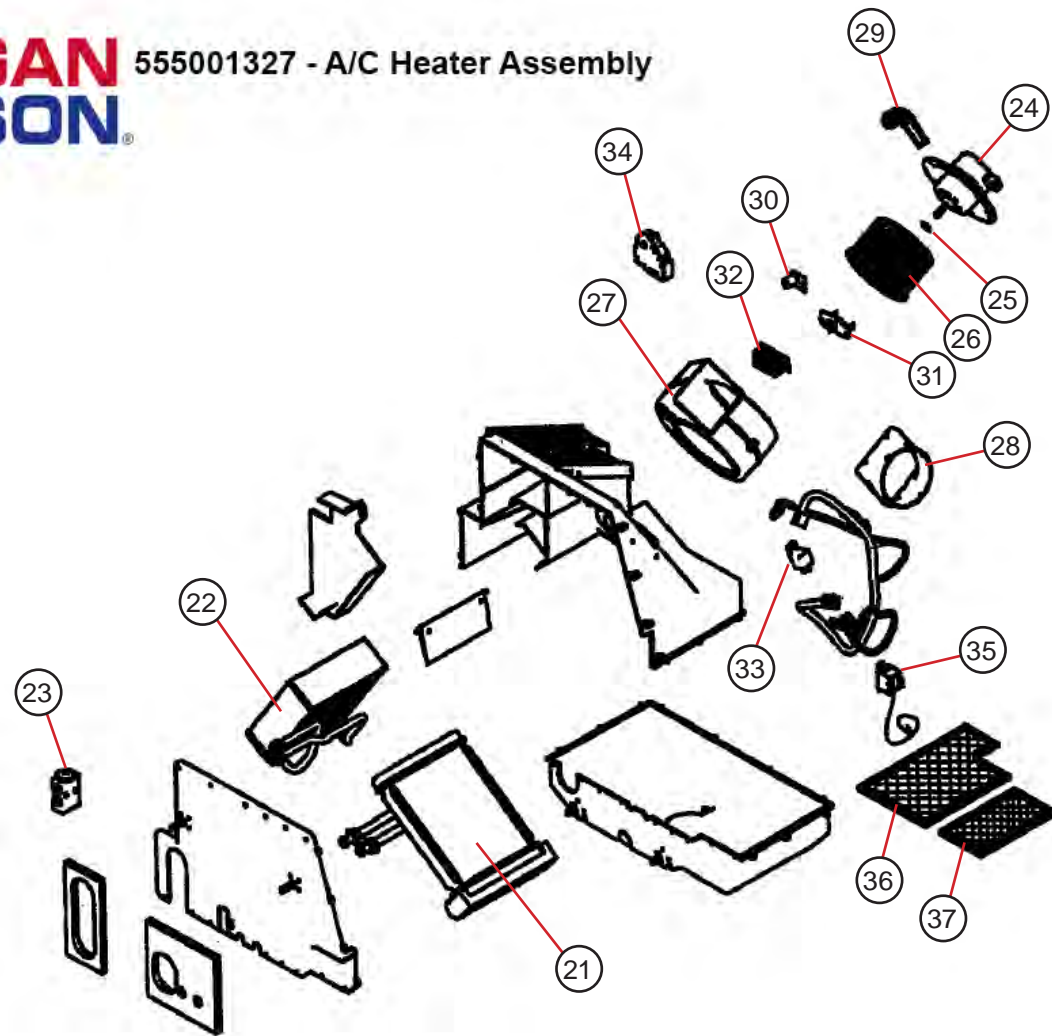
ITEM #	PART #	DESCRIPTION	QTY	UNIT
1	247027201	INSTRUMENT PANEL - WELDED ASSEMBLY	1	EA
2	180027410	PLATE COVER HVAC AL	1	EA
3	128027421	PLATE ACCESS COVER RADIO AL	1	EA
4	247027401	PLATE KEYLESS MODULE AL	1	EA
5	006327209	SPACER - IGNITION SWITCH	1	EA
6	002027423	BRACKET SHIFTER STEEL 11GA	1	EA
7	114027403	BRACKET MOUNTING AL	1	EA
8	215027409	BRACKET I/P AL	1	EA
9	118027414	BRACE AL	1	EA
10	198027403	I/P PANEL DSP AL	1	EA
11	46026432	POWER PORT USB 5VDC	2	EA
12	46026378	RECEPTACLE POWER 12VDC	1	EA
13	47000861	SHIFTER MOUNTING WEDGE 17 DEGREE	1	EA



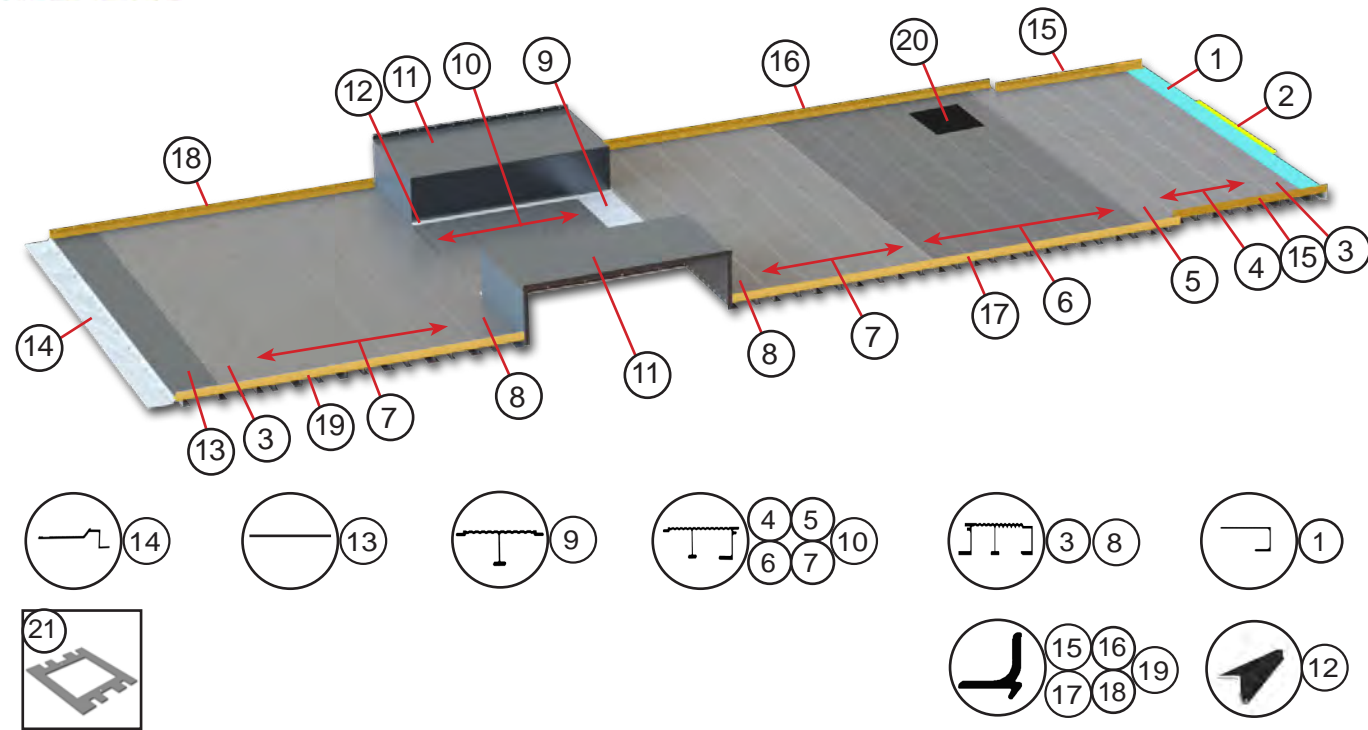
ITEM #	PART #	DESCRIPTION	QTY.	UNIT
1	47012658	SEAT SOCKET ASSEMBLY 3POINT NTLT	1	EA
2	47004332	PEDESTAL SEAT UPPER 3 POINT/IN FCC	1	EA
3	47004653	DRIVER SEAT CLOTH BLACK LUMBAR	1	EA
4	47007912	SEAT BELT ORANGE W/O TETHERS	1	EA
5	005754400	BRACKET ANCHOR STL 7GAX7.24X25.75	1	EA
6	47002708	SEAT HEAD BACK/REST BLACK CLOTH	1	EA
7	47002707	SEAT JUMP FOLDING BLACK CLOTH	1	EA
8	91614300	ANGLE FLOOR AL .188X2.84X19.1	1	EA
9	47004366	SEAT BELT W/BOOT BLKH 3PNT OG R	1	EA



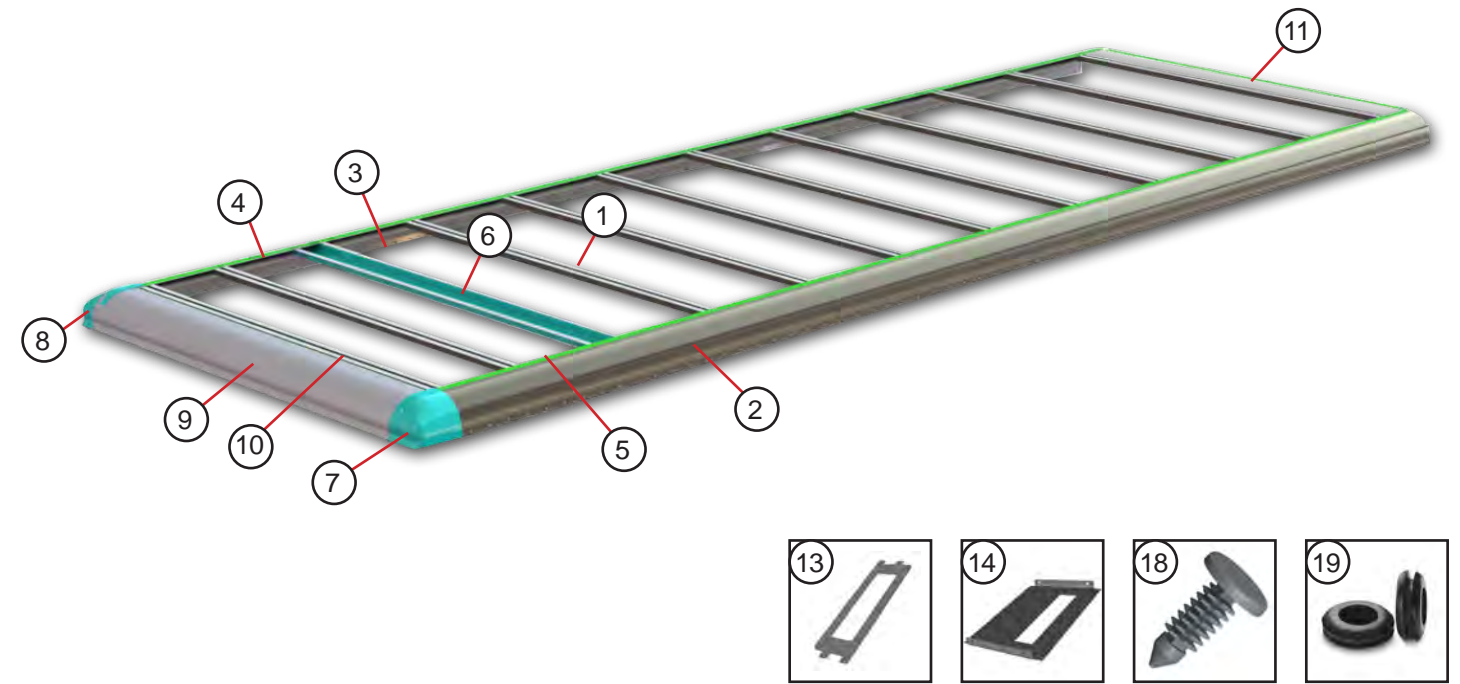
555001327 - A/C Heater Assembly



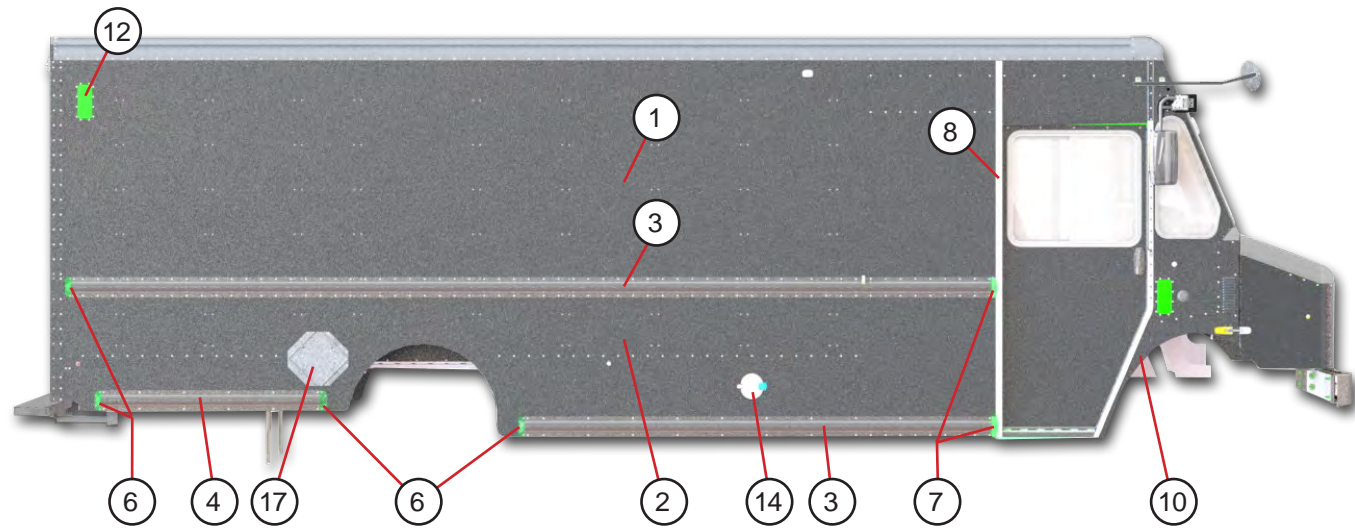
ITEM #	PART #	DESCRIPTION	QTY	UNIT
1	555001327	HEATER A/C ASSEMBLY	1	EA
2	555001425	PANEL CONTROL HVAC	1	EA
3	555002057	WATER VALVE	1	EA
4	220063400	BRACKET - HEATER CONTROL (WATER VALVE)	1	EA
5	555001721	DEFROSTER DUCT RH METAL	1	EA
6	555001722	DEFROSTER DUCT LH METAL	1	EA
7	093080400	PLATE - HOLD DOWN (DEFROSTER DUCTS)	4	EA
8	555001715	LOUVER BALL	7	EA
9	555001523	HOSE DEFROSTER 2.5 X 16"	2	EA
9	555001524	HOSE DEFROSTER 2.5 X 30"	3	EA
9	555001525	HOSE DEFROSTER 2.5 X 38"	2	EA
10	555001533	HOSE BLOWER 5 X 7.5" (HEATER TO PLENUM)	1	EA
11	090080401	DUCT - FOOT DUMP (MOUNTING PLATE 005780402)	1	EA
12	47008017	CONNECTOR STRAIGHT .62ID BLACK NYLON	3	EA
13	1107072	GROMMET	1	EA
14	555002109	DRAIN RESISTOR ASSEMBLY	1	EA
15	555001326	DUCT - HVAC HEATER PLENUM	1	EA
16	47008690	HOSE HEATER FORMED 9.25"	2	EA
17	46026312	TIE WRAP 21"	2	EA
18	217005437	COVER PLATE - FRESH AIR INTAKE	1	EA
19	217005433	BRACKET - FRESH AIR INTAKE	1	EA
20	45700120	FILTER KIT - FRESH AIR INTAKE (FILTER ONLY P/N 45700119)	1	EA
21	47008760	HEATER COIL W/ GASKETS & CLAMP	1	EA
22	47008763	EVAPORATOR COIL ASSEMBLY	1	EA
23	47008138	EXPANSION VALVE	1	EA
24	46032339	BLOWER MOTOR	1	EA
25	47008799	BLOWER SHAFT RETAINER CLIP	1	EA
26	47008769	BLOWER WHEEL	1	EA
27	47008754	BLOWER HOUSING	1	EA
28	47008755	BLOWER ADAPTOR	1	EA
29	47008730	VENT TUBE	1	EA
30	47008731	VENT TUBE ADAPTOR	1	EA
31	47008460	RESISTOR	1	EA
32	47008732	RESISTOR CAGE	1	EA
33	47008716	RELAY	1	EA
34	47008705	SERVO MOTOR	1	EA
35	47008615	THERMOSTAT	1	EA
36	47008624	FILTER	1	EA
37	47008625	FILTER	1	EA
NS	990002285	A/C PARTS KIT - SEE PARTS BREAKDOWN ONLINE	1	EA



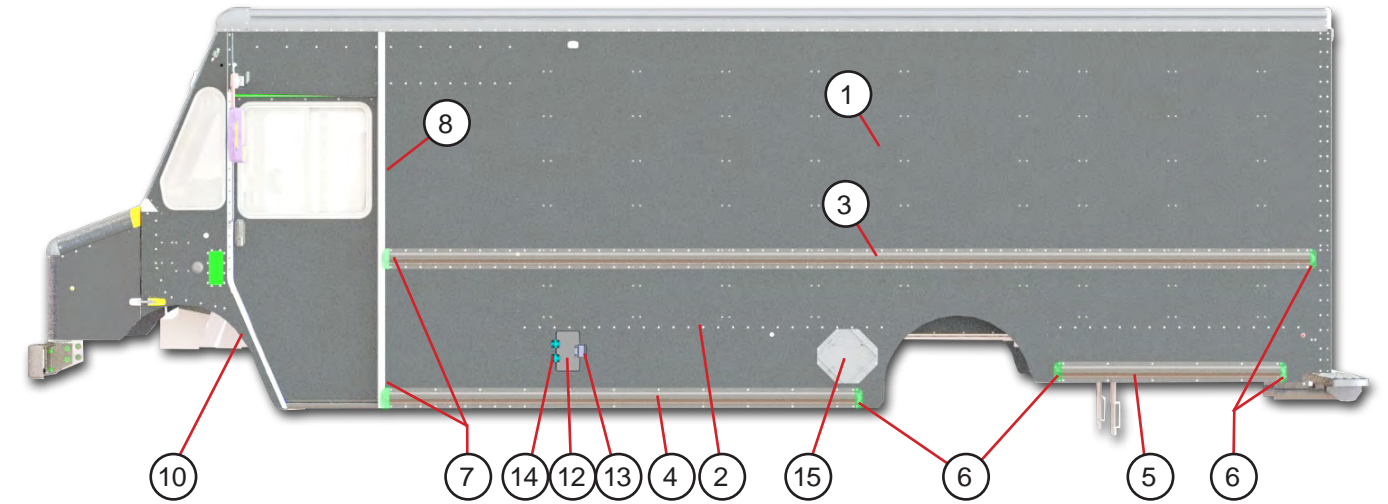
ITEM #	PART #	DESCRIPTION	QTY.	UNIT
1	215031453	BEAM @ O-LINE	1	EA
2	001730416	STEP ANGLE AL X33.38"	1	EA
3	45058301	BEAM FLOOR 7" 095033420	2	EA
4	45058413	BEAM FLOOR 8" 215031421	3	EA
5	45058402	BEAM FLOOR 8" 215031422	1	EA
6	45058402	BEAM FLOOR 8" 215031426	6	EA
7	45058601	BEAM FLOOR 9" 215031423	9	EA
8	45058700	BEAM FLOOR 8.5" 215031424	2	EA
9	45058502	BEAM FLOOR 190032400	1	EA
10	45058611	BEAM FLOOR 190032401	4	EA
11	215031209	WHEEL BOX ASSEMBLY	2	EA
12	95869302	ANGLE - WHEEL BOX ATTACH 44"	2	EA
13	247031400	FLOOR PLATE - FILLER	1	EA
14	45059202	DROP SILL AL	1	EA
15	215031500	ANGLE ATTACH - FLOOR TO SIDE FORWARD RH/LH	2	EA
16	215031511	ANGLE ATTACH - FLOOR TO SIDE MID LH	1	EA
17	215031512	ANGLE ATTACH - FLOOR TO SIDE MID RH	1	EA
18	215031509	ANGLE ATTACH - FLOOR TO SIDE REAR LH	1	EA
19	215031510	ANGLE ATTACH - FLOOR TO SIDE REAR RH	1	EA
20	96730416	PLATE ACCESS DOOR AL .125X14X14.2	1	EA
21	05M234018	SUPPORT PLATE - ACCESS DOOR	1	EA



ITEM #	PART #	DESCRIPTION	QTY.	UNIT
1	45601604	ROOF BOW STEEL 16GA SEC456016 X84.12	11	EA
2	240010400	RAIL ROOF 18' 456144X290.97 LH	1	EA
3	240010401	RAIL ROOF 18' 456144X290.97 RH	1	EA
4	240010402	INTERLOCK ROOF RAIL AL 450140X290.97 LH	1	EA
5	240010403	INTERLOCK ROOF RAIL AL 450140X290.97 RH	1	EA
6	001710410	ROOF BOW @ O/LINE 14GA GLVNX9.54X84.12	1	EA
7	077100400	CORNER CASTING AL RF LH	1	EA
8	077100401	CORNER CASTING AL RF RH	1	EA
9	083010401	NOSE ROOF 93W AL 456107X77.5	1	EA
10	001710407	INTERLOCK ROOF NOSE AL 45014X77.38	1	EA
11	45014086	INTERLOCK ROOF REAR AL 450140X77.38	1	EA
NS	45200847	ROOF SKIN RISC	24.5	FT
13	100092401	BRACKET DOME LAMP CARGO	3	EA
14	090091403	BRACKET DOME LAMP CAB	1	EA
NS	47006610	INSULATION FBG 1" X 48" X 8 FT	8	FT
NS	155011400	LINER ROOF EMBOSSED 37 X 82" (CAB)	1	EA
NS	100011400	POLYESTER FILLER 4 X 22.5"	4	EA
18	47006610	PLASTIC CLIP	30	EA
19	44000052	GROMMET 1X.125X1.3125	3	EA
19	1107109	GROMMET 0.375X0.125X.0625	1	EA

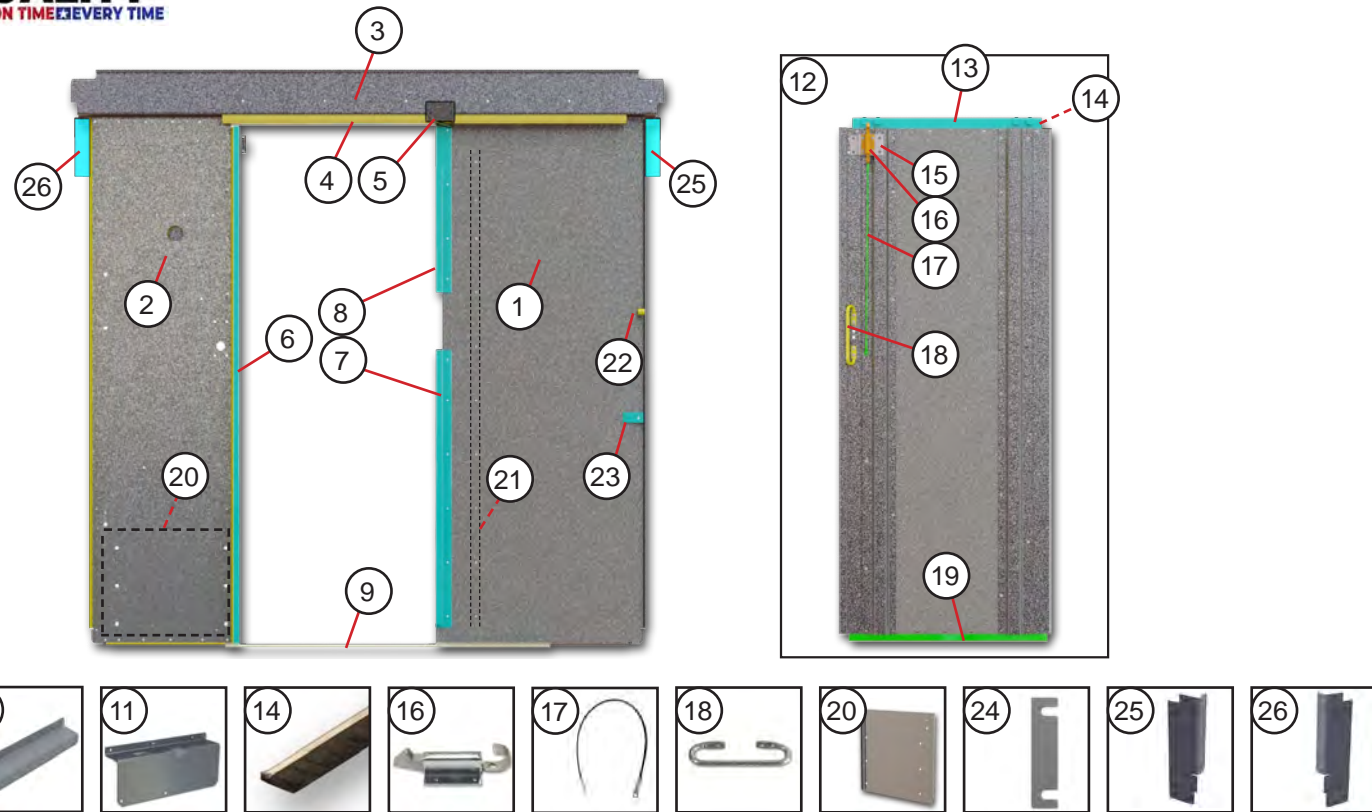


ITEM #	PART #	DESCRIPTION	QTY	UNIT
1	248038401	SIDE PANEL UPPER AL .102X60X255.31 LH/RH	1	EA
2	248037401	SIDE PANEL LOWER AL .102X38.79X255.31 RH	1	EA
3	248039400	RUB RAIL AL 450002X247.38	1	EA
4	237039526	RUB RAIL AL 450002X125.32	1	EA
5	237039511	RUB RAIL AL 450002X58.61	1	EA
6	1100799	END CAP REAR AL CASTING	4	EA
7	1100800	END CAP FORWARD AL CASTING	2	EA
8	107400401	B/POST AL 450274X101.12 RH	1	EA
9	7600165	PLATE FILLER AL .125X3.19X2.5	1	EA
10	177022401	SKIRT TAIL AL RH	1	EA
11	001744400	STRAP FLOOR TO SIDE AL	4	EA
12	47008545	VENT AL 2WAY HINGELESS	1	EA
13	47008548	GASKET FOR VENT #47008545	1	EA
14	095012410	DOOR DEF TANK AL	1	EA
15	47007888	HINGE - PLASTIC BLACK	1	EA
16	098012401	CLIP - DOOR HANDLE AL	1	EA
17	43000514	PLACARD - FLIP SIGN SOL CANADA	1	EA
18	1107102	RUBBER PLUG	1	EA



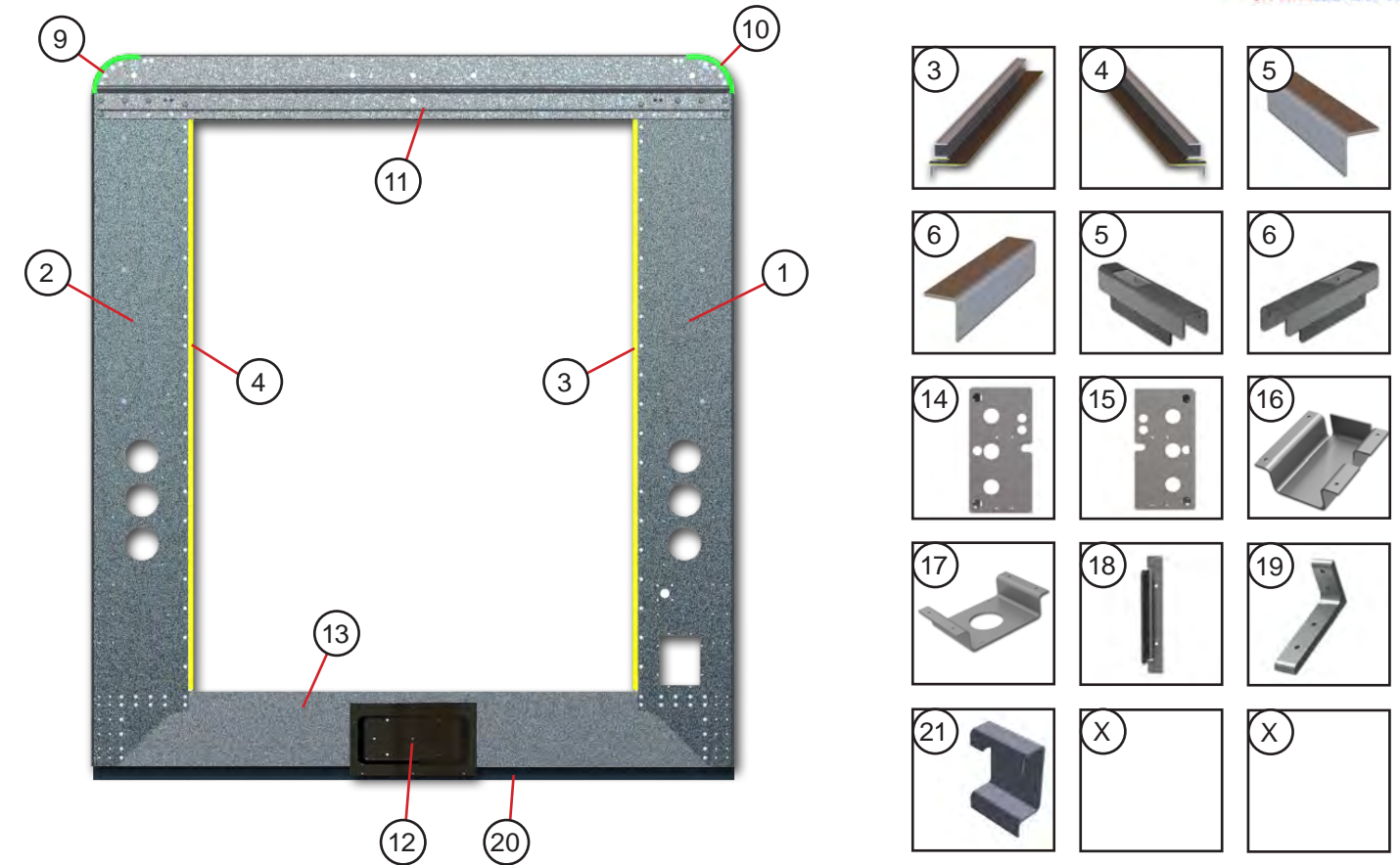
ITEM #	PART #	DESCRIPTION	QTY	UNIT
1	248038400	SIDE PANEL UPPER AL .102X60X255.31 LH/RH	1	EA
2	248037425	SIDE PANEL LOWER AL .102X38.79X255.31 LH	1	EA
3	248039400	RUB RAIL AL 450002X247.38	1	EA
4	237039526	RUB RAIL AL 450002X125.32	1	EA
5	237039511	RUB RAIL AL 450002X58.61	1	EA
6	1100799	END CAP REAR AL CASTING	4	EA
7	1100800	END CAP FORWARD AL CASTING	2	EA
8	107400400	B/POST AL 450274X101.12 LH	1	EA
9	7600165	PLATE FILLER AL .125X3.19X2.5	1	EA
10	177022400	SKIRT TAIL AL LH	5	EA
11	001744400	STRAP FLOOR TO SIDE AL	4	EA
12	248012402	DOOR - FUEL FILL AL	1	EA
13	098012401	CLIP - DOOR HANDLE	1	EA
14	47007888	HINGE - FUEL FILL DOOR	2	EA
15	43000514	PLACARD - FLIP SIGN SOL CANADA	1	EA

Bulkhead

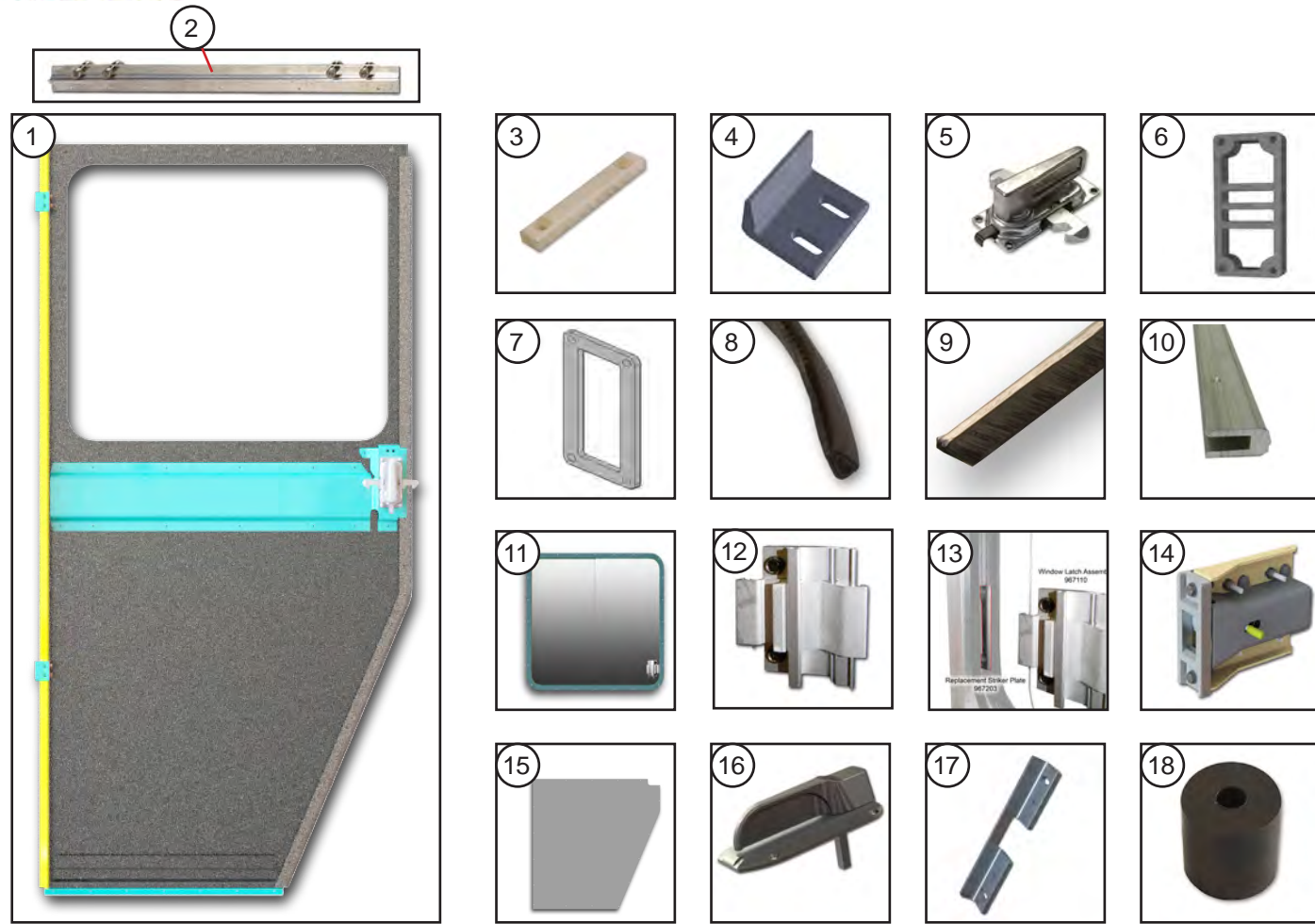


ITEM #	PART #	DESCRIPTION	QTY	UNIT
1	247070401	PANEL BULKHEAD AL LH	1	EA
2	247070402	PANEL BULKHEAD AL RH	1	EA
3	247070403	HEADER BULKHEAD ZEE AL	1	EA
4	005770200	DOOR TRACK ASSEMBLY	1	EA
5	98770202	STRIKER ASSEMBLY WELDED	1	EA
6	167070409	JAMP BULKHEAD DOOR AL X76.44	1	EA
7	247070404	CHANNEL BULKHEAD AL X41.09	1	EA
8	207070410	CHANNEL BULKHEAD AL X24.56	1	EA
9	96770316	GUIDE DOOR FLOOR AL X47.88	1	EA
10	247070405	GUARD WIRING BULKHEAD AL	1	EA
11	247070406	GUARD WIRING BULKHEAD AL	1	EA
12	247070200	DOOR ASSEMBLY - BULKHEAD	1	EA
13	247070201	HANGER ASSEMBLY BULKHEAD DOOR	1	EA
14	44008050	SEAL BRUSH TYPE B 1X83.9	1	EA
15	92537309	MOUNTING PLATE LATCH AL	1	EA
16	1113046	LATCH FINGER PULL	1	EA
17	1113600	CABLE BULKHEAD DOOR BLACK VINYL 29"	1	EA
18	90187300	GRAB HANDLE AL .5DIA2.13X9	1	EA
19	247070409	GUIDE DOOR STRIP X29.5	1	EA
20	167070406	PLATE REINFORCEMENT JUMP SEAT AL	1	EA
21	083069404	STIFFENER JUMP SEAT AL X72.12	1	EA
22	44002016	BUMPER RUBBER	1	EA
23	45200208	DOOR CHOCK NYLON	1	EA
24	207070412	SHIM BULKHEAD DOOR AL .125X.63X2.63	1	EA
25	167070407	PLATE FILLER BULKHEAD LH	1	EA
26	167070408	PLATE FILLER BULKHEAD RH	1	EA

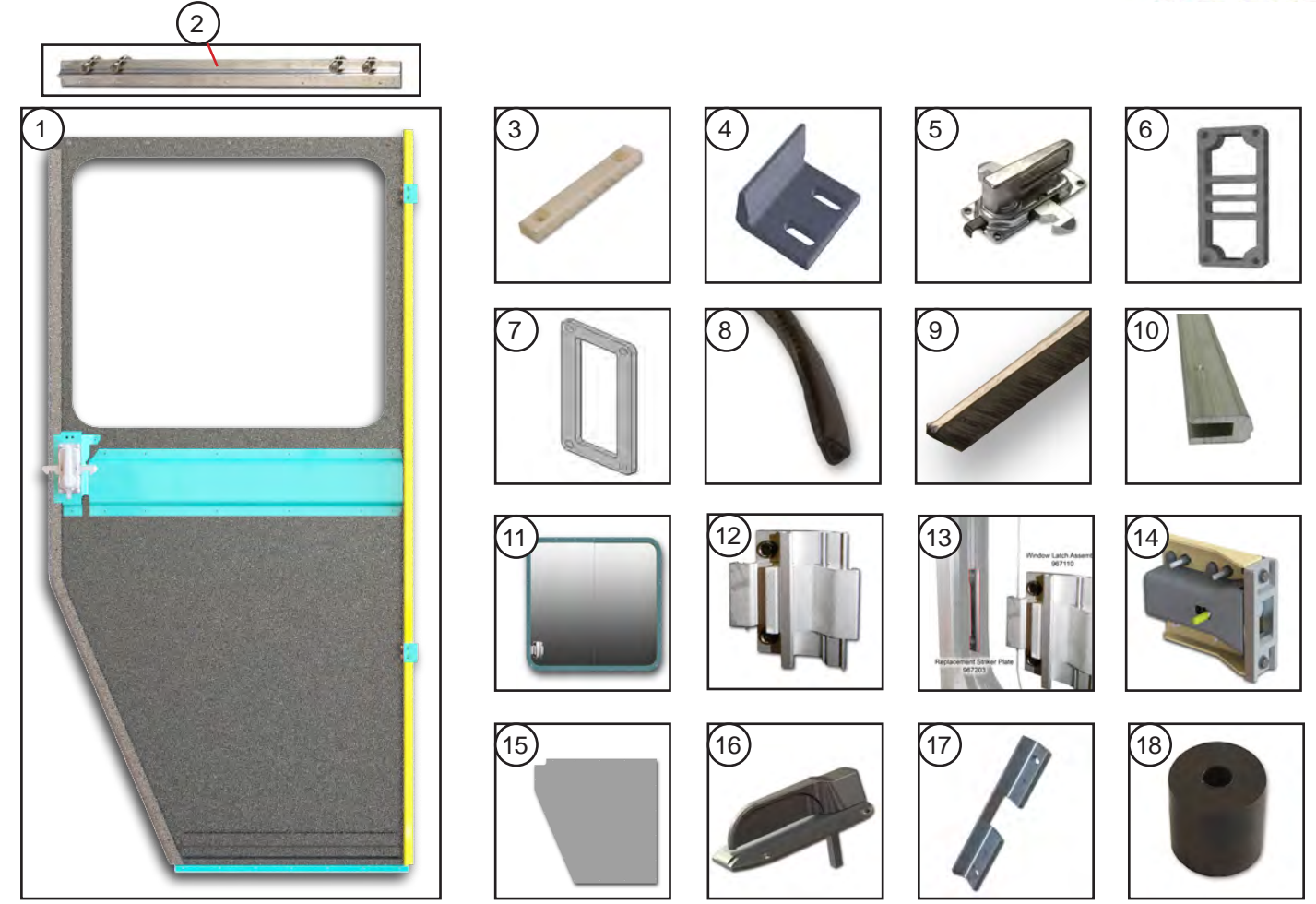
Back



ITEM #	PART #	DESCRIPTION	QTY.	UNIT
1	248053401	PANEL BACK AL .102X15.25X90.03 RH	1	EA
2	248053400	PANEL BACK AL .102X15.25X90.03 LH	1	EA
3	247053201	DOOR POST / JAMB ASSEMBLY RH	1	EA
4	247130200	DOOR POST / JAMB ASSEMBLY LH	1	EA
5	210053420	REINFORCEMENT INNER AL 450176X35 RH	1	EA
6	210053419	REINFORCEMENT INNER AL 450176X35 LH	1	EA
7	248053405	BRACKET TRANSOM REAR LH AL	1	EA
8	248053406	BRACKET TRANSOM REAR RH AL	1	EA
9	45100009	CORNER CASTING LH	1	EA
10	45100010	CORNER CASTING RH	1	EA
11	248053404	TRANSOM REAR AL	1	EA
12	140092400	LICENSE PLATE BOX	1	EA
13	248053402	SILL REAR 93W AL	1	EA
14	160053408	LAMP GUARD LH AL LH	1	EA
15	160053409	LAMP GUARD RH AL RH	1	EA
16	227081403	GUARD KEYLESS MODULE REAR AL	1	EA
17	227081401	BRACKET KEYLESS BOX AL	1	EA
18	227081402	BRACKET KEYLESS BOX AL	2	EA
19	90650309	CLIP ANGLE AL	2	EA
20	240135403	PLATE FILLER BACK AL	1	EA
21	7400214	BRACKET DOOR SPACER AL	1	EA

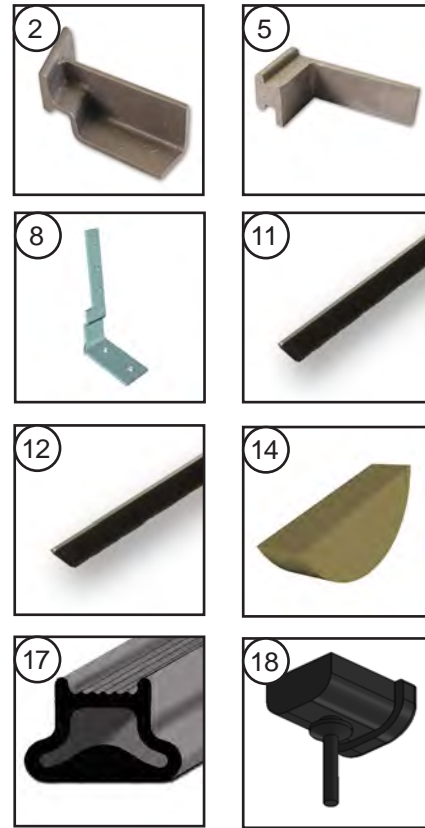
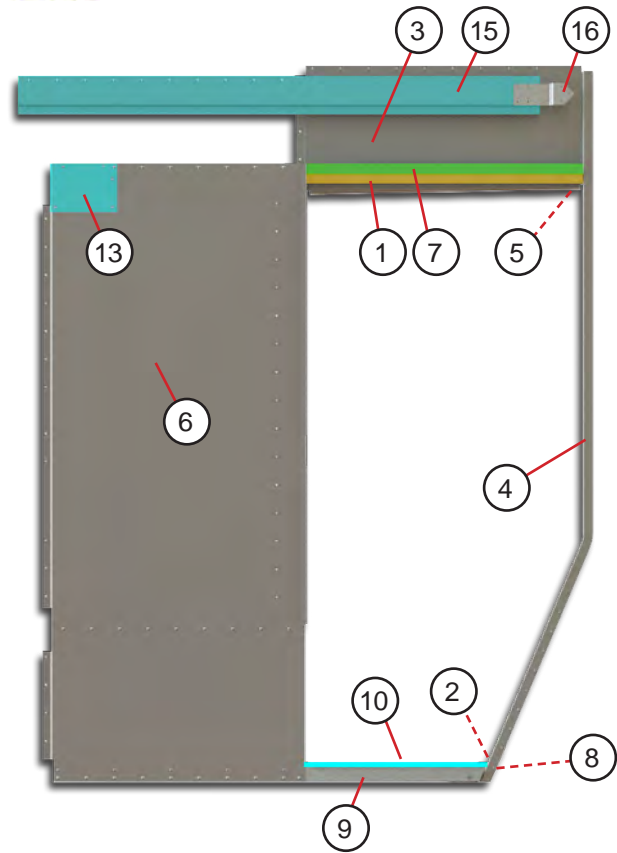


ITEM #	PART #	DESCRIPTION	QTY	UNIT
1	210060201	DOOR SIDE ASSEMBLY LH	1	EA
2	96760203	HANGER ASSEMBLY W/ BEARINGS	1	EA
3	45200206	SPACER ANTI RATTLE NYLON	2	EA
4	45300377	CLIP ANTI RATTLE D/PKT	2	EA
5	45100168	LOCK MECHINISM INNER	1	EA
6	087181	SPACER LOCK .54 DP ZN	1	EA
7	157060404	SPACER LOCK AL .188X2.5X5.5	1	EA
8	44000260	TRIM QUICK EDGE	1	FT
9	44008050	SEAL BRUSH TYPE B 1X83.9	1	EA
9	44004060	SEAL BRUSH TYPE C 1.5X82	1	EA
10	210060408	WEAR STRIP AL 450008X26 LH/RH	1	EA
11	45800134	WINDOW SLIDING LH	1	EA
12	967110	REPLACEMENT WINDOW LATCH	-	EA
13	967203	REPLACEMENT STRIKER PLATE FOR WINDOW LATCH	-	EA
14	46029041	LOCK ASSEMBLY KEYLESS ENTRY LH	1	EA
15	118060403	PANEL LOWER DOOR AL .07X39.4X40.02 RH	1	EA
16	47000688	DOOR HANDLE PADDLE TYPE NON LOCKING	1	EA
17	198041400	STRIKER REAR	1	EA
18	44002011	RUBBER BUMPER	1	EA



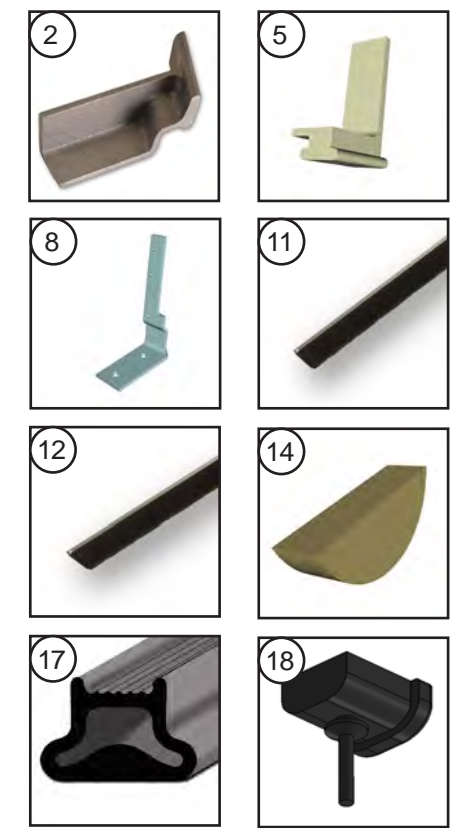
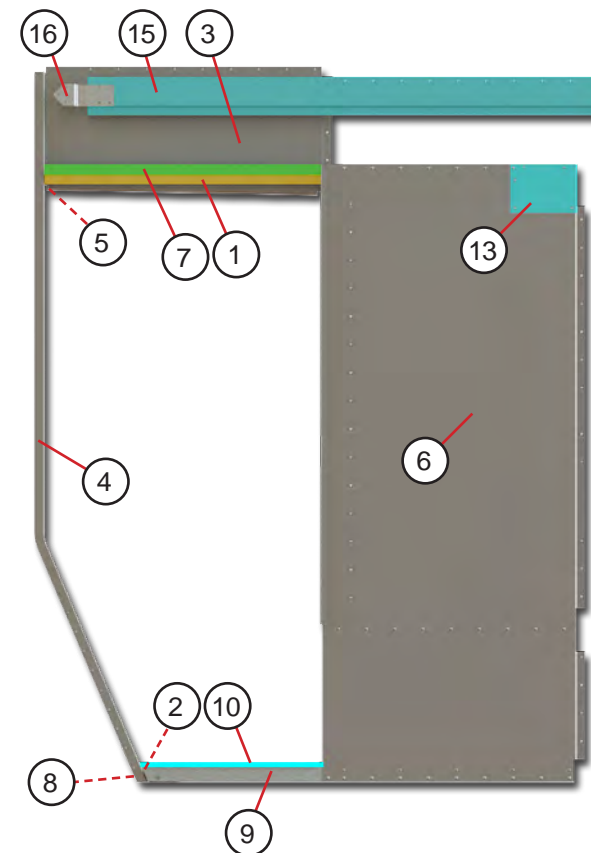
ITEM #	PART #	DESCRIPTION	QTY	UNIT
1	210060202	DOOR SIDE ASSEMBLY LH	1	EA
2	96760203	HANGER ASSEMBLY W/ BEARINGS	1	EA
3	45200206	SPACER ANTI RATTLE NYLON	2	EA
4	45300377	CLIP ANTI RATTLE D/PKT	2	EA
5	45100168	LOCK MECHINISM INNER	1	EA
6	087181	SPACER LOCK .54 DP ZN	1	EA
7	157060404	SPACER LOCK AL .188X2.5X5.5	1	EA
8	44000260	TRIM QUICK EDGE	1	FT
9	44008050	SEAL BRUSH TYPE B 1X83.9	1	EA
9	44004060	SEAL BRUSH TYPE C 1.5X82	1	EA
10	210060408	WEAR STRIP AL 450008X26 LH/RH	1	EA
11	45800135	WINDOW SLIDING RH	1	EA
12	967110	REPLACEMENT WINDOW LATCH	-	EA
13	967203	REPLACEMENT STRIKER PLATE FOR WINDOW LATCH	-	EA
14	46029042	LOCK ASSEMBLY KEYLESS ENTRY RH	1	EA
15	118060403	PANEL LOWER DOOR AL .07X39.4X40.02 RH	1	EA
16	47000688	DOOR HANDLE PADDLE TYPE NON LOCKING	1	EA
17	198041400	STRIKER REAR	1	EA
18	44002011	RUBBER BUMPER	1	EA

Side Door Pocket LH

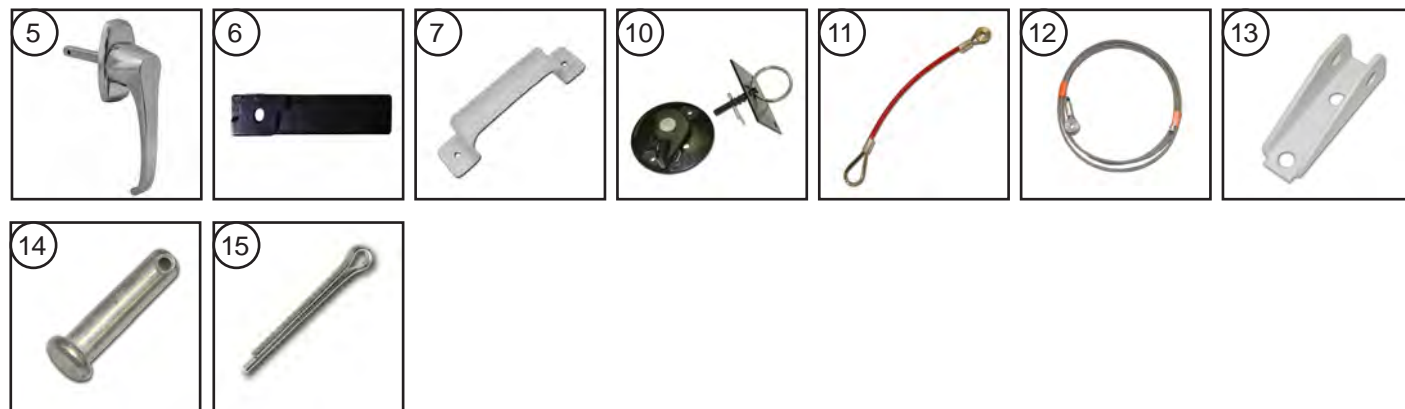


ITEM #	PART #	DESCRIPTION	QTY.	UNIT
1	96741202	TRACK ASSEMBLY UPPER	1	EA
2	45100104	AL CASTING LOWER @ DOOR POST LH	1	EA
3	177041402	PANEL HEADER AL .102X19.49X42.36 LH	1	EA
4	157041400	DOOR POST FORWARD AL 450294X102.43 LH	1	EA
5	45100048	GUSSET AL CASTING HEADER CHANNEL TO D/PST LH	1	EA
6	230041413	PANEL DOOR POCKET AL LH	1	EA
7	210041402	CHANNEL HEADER AL 450256X75 LH	1	EA
8	001741407	REINFORCEMENT A POST AL .125X1.53X8.04 LH	1	EA
9	210041404	STEP NOSE AL 450247X61.29 LH	1	EA
10	47002766	GUIDE NYLON MOULDED LOWER X51.44	1	EA
11	44004060	SEAL BRUSH TYPE C 1.5X82	1	EA
12	44008050	SEAL BRUSH TYPE B 1X83.9	1	EA
13	96741354	COVER DOOR POCKET AL .055X6.75X12.16 LH	1	EA
14	45900001	PLUG WOOD @ RUB RAIL .75X1.12X2.9	1	EA
15	083042400	STIFFENER HEADER AL 450328X74 LH	1	EA
16	96742302	CLIP MOUNTING	1	EA
17	44004104	DOOR SEAL RUBBER X89.25	1	EA
18	44002024	PLUG - HEADER DRIP EDGE	1	EA

Side Door Pocket RH

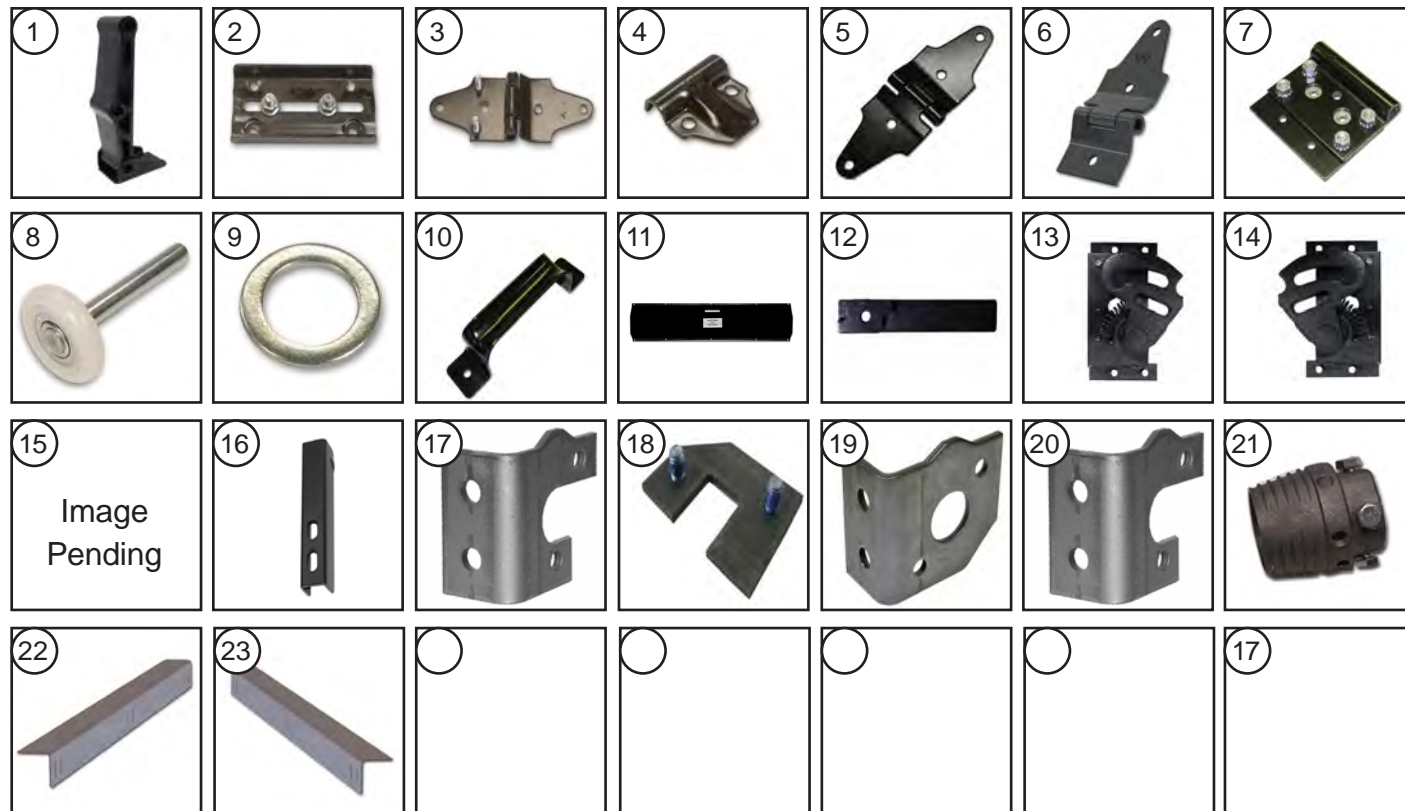


ITEM #	PART #	DESCRIPTION	QTY.	UNIT
1	96741202	TRACK ASSEMBLY UPPER	1	EA
2	45100105	GUSSET AL CASTING LOWER @ DOOR POST RH	1	EA
3	177041403	PANEL HEADER AL .102X19.49X42.36 RH	1	EA
4	157041401	DOOR POST FORWARD AL 450294X102.43 RH	1	EA
5	45100049	GUSSET AL CASTING HEADER CHANNEL TO D/PST RH	1	EA
6	230041414	PANEL DOOR POCKET AL RH	1	EA
7	96741303	CHANNEL HEADER AL 450256X75 RH	1	EA
8	001741408	REINFORCEMENT A POST AL .125X1.53X8.04 RH	1	EA
9	210041405	STEP NOSE AL 450247X61.29 RH	1	EA
10	47002766	GUIDE NYLON DOOR LOWER X51.44	1	EA
11	44004060	SEAL BRUSH TYPE C 1.5X82	1	EA
12	44008050	SEAL BRUSH TYPE B 1X83.9	1	EA
13	96741355	COVER DOOR POCKET AL .055X6.75X12.16 RH	1	EA
14	45900001	PLUG WOOD @ RUB RAIL .75X1.12X2.9	1	EA
15	083042401	STIFFENER HEADER AL 450328X74 RH	1	EA
16	96742302	CLIP MOUNTING	1	EA
17	44004104	DOOR SEAL RUBBER X89.25	1	EA
18	44002024	PLUG - HEADER DRIP EDGE	1	EA



ITEM #	PART #	DESCRIPTION	QTY.	UNIT
1	Call W/ S/N	BRUSH SEAL HEADER 62"	1	EA
1	Call W/ S/N	BRUSH SEAL TOP CLEAR 62"	1	EA
2	Call W/ S/N	BRUSH SEAL SIDE	2	EA
2	Call W/ S/N	BRUSH SEAL SIDE CLEAR	2	EA
3	44004000	BOTTOM SEAL	1	EA
4	47001084	GRAB HANDLE - AL 25" OFFSET 45°	2	EA
5	47001039	L HANDLE NON LOCKING	1	EA
6	47107278	INSIDE RELEASE HANDLE	1	EA
7	47107279	LIFT HANDLE	2	EA
8	47004512	PULL STRAP 19" LONG 8" LOOP	1	EA
9	47107193	RETAINER BRACKET - PULL STRAP	1	EA
10	47107194	SAFETY CHAIN ASSEMBLY	1	EA
11	47001479	SAFETY CABLE VINYL COATED	1	EA
12	617042	CABLE STAINLESS 115" W/ METAL EYE	2	EA
13	613984	CABLE ANCHOR BRACKET	2	EA
14	47106706	CLEVIS PIN 1/4 - 1"	2	EA
15	47003198	COTTER PIN 1/8" - 3/4"	2	EA
16	43000516	PLACARD	1	EA
	Call W/ S/N	PANEL TOP	1	EA
	Call W/ S/N	PANEL INTERMEDIATE	4	EA
	Call W/ S/N	PANEL INTERMEDIATE 13 X 98-1/4"	3	EA
	Call W/ S/N	PANEL - LOCK PANEL	1	EA
	Call W/ S/N	PANEL BOTTOM	1	EA

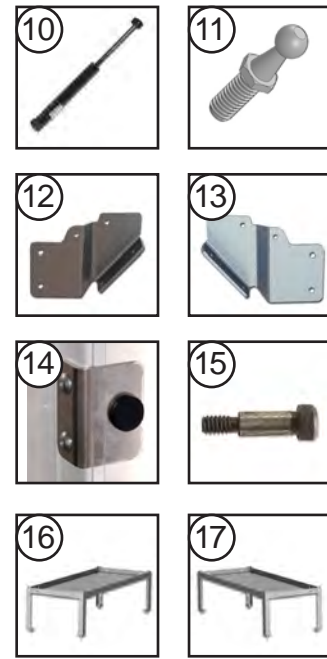
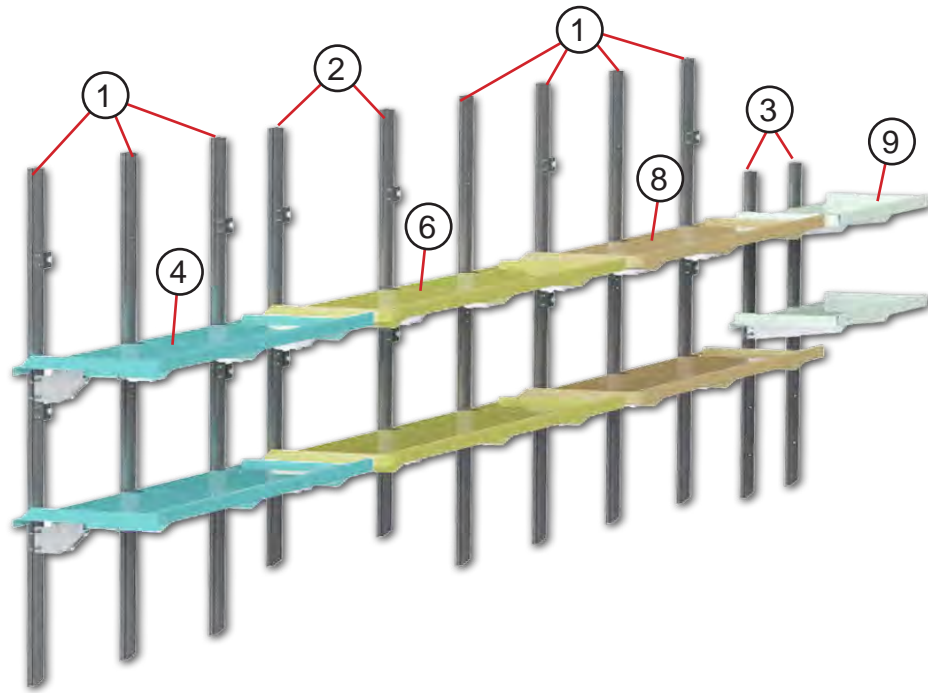
For parts not listed here, please call with your door serial number.
800.233.4823 N000217409-0-2-1



ITEM #	PART #	DESCRIPTION	QTY.	UNIT
1	47107297	TOP CLOSURE ROLLER EXTENSION	2	EA
2	61744	TOP CLOSURE BASE ONLY	2	EA
3	61742	ROLLER HINGE W/ STUDS LIGHT DUTY	12	EA
4	61743	COVER - ROLLER HINGE	12	EA
5	617121	CENTER HINGE LIGHT DUTY	8	EA
6	47107291	CENTER HINGE - SHORT LIGHT DUTY	4	EA
7	47004522	BOTTOM FIXTURE ASSEMBLY	2	EA
8	47107288	ROLLER 2" NYLON 6" STEM	18	EA
9	47106718	ROLLER SPACER WASHER	24	EA
10	47107279	LIFT HANDLE - BLACK - INNER	2	EA
11	Call W/ S/N	CABLE COVER AL	1	EA
12	47107278	INSIDE RELEASE HANDLE	1	EA
13	47003169	END LATCH ROADSIDE	1	EA
14	47003170	END LATCH CURBSIDE	1	EA
15	47107298	LOCK ASSEMBLY	1	EA
16	47003172	PLATE LATCH STRIKER ASSEMBLY	1	EA
17	47003188	BALANCER BRACKET CENTER	1	EA
18	47003189	BALANCER BRACKET CLAMP	1	EA
19	47003186	BALANCER BRACKET ROADSIDE	1	EA
20	47003187	BALANCER BRACKET CURBSIDE	1	EA
21	47001442	WINDING CONE W/ SCREWS	2	EA
22	247130401	MOUNTING ANGLE TRACK HORIZONTAL ROADSIDE	1	EA
23	247130402	MOUNTING ANGLE TRACK HORIZONTAL CURBSIDE	1	EA

For parts not listed here, please call with your door serial number.
800.233.4823 N000217409-0-2-1

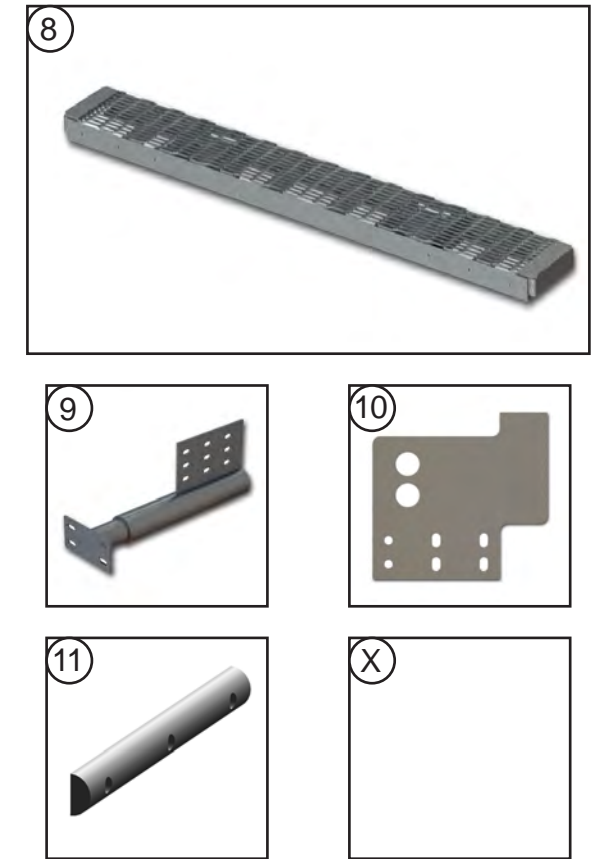
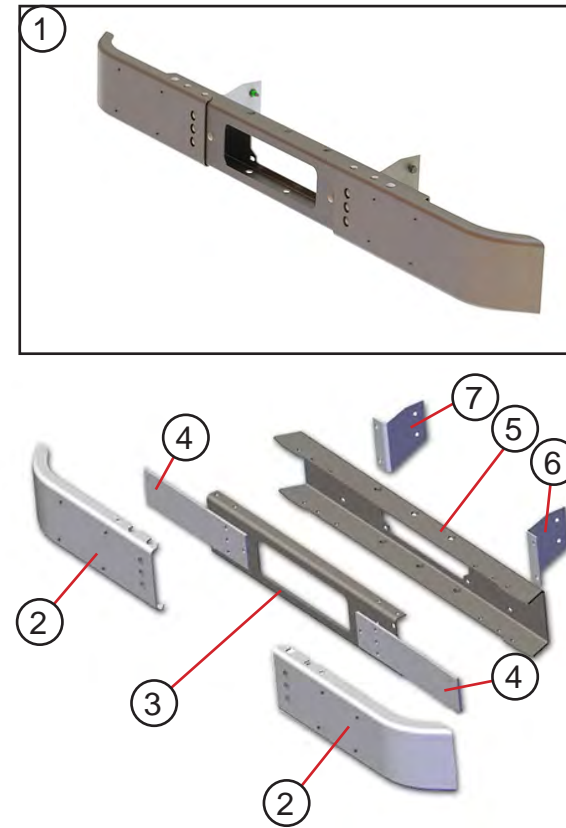
Shelving



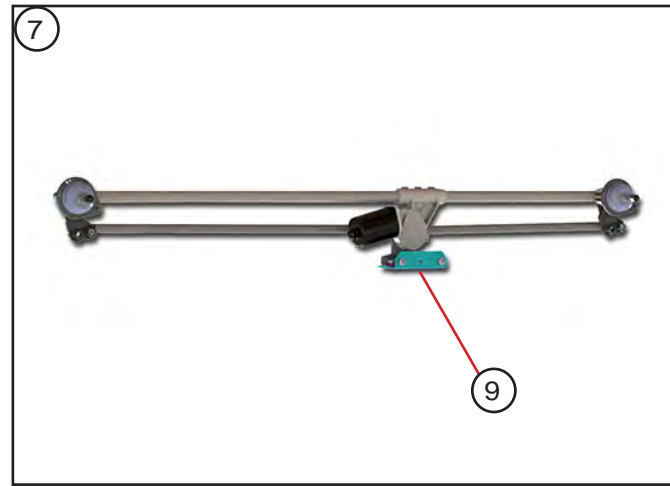
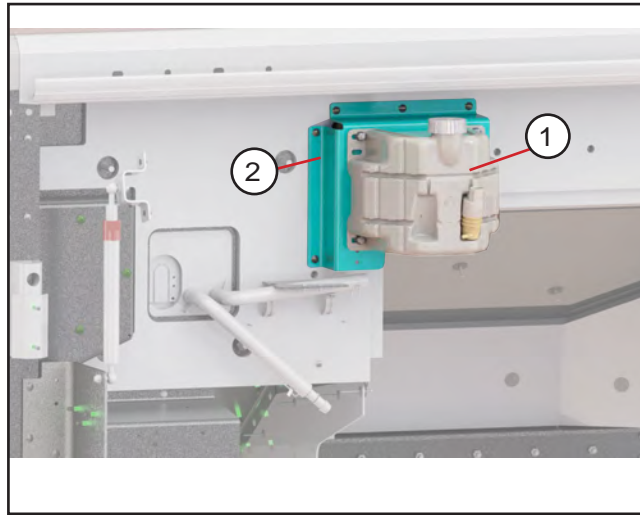
Roadside Shown - Curbside is Mirrored

ITEM #	PART #	DESCRIPTION	QTY.	UNIT
1	240048400	STANCHION AL X77.94"	14	EA
2	240048401	STANCHION AL @ WHEEL BOX X69.54"	4	EA
3	230048407	STANCHION AL @ DOOR POCKET X58"	4	EA
4	247106200	SHELF ASSEMBLY FOLDING REAR LH	2	EA
NS	247106201	SHELF ASSEMBLY FOLDING REAR RH	2	EA
6	247106216	SHELF ASSEMBLY FOLDING MID LH	2	EA
NS	247106217	SHELF ASSEMBLY FOLDING MID RH	2	EA
8	247106214	SHELF ASSEMBLY FOLDING FORWARD LH	2	EA
NS	247106215	SHELF ASSEMBLY FOLDING FORWARD RH	2	EA
9	237105200	SHELF ASSEMBLY FOLDING @ DOOR POCKET LH/RH	4	EA
10	126106426	GAS SPRING	24	EA
11	126106427	BALL STUD	48	EA
12	190105411	BRACKET SHELF RH	44	EA
13	190105412	BRACKET SHELF LH	44	EA
14	150106202	RUBBER BUMPER KIT	24	EA
15	47006191	SHOULDER BOLT	44	EA
16-17	247126200	TRAYS @ WHEEL BOX (1-EA LH/RH TRAY ASSEMBLIES)	1	EA

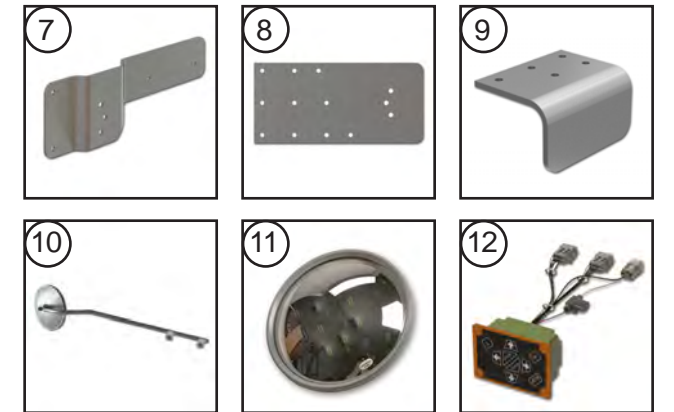
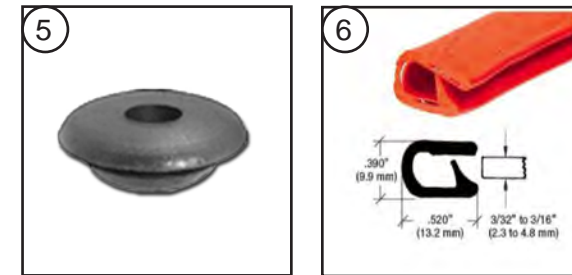
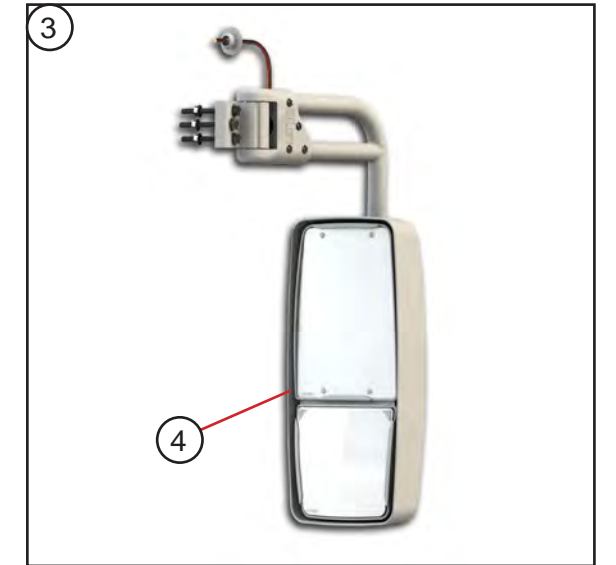
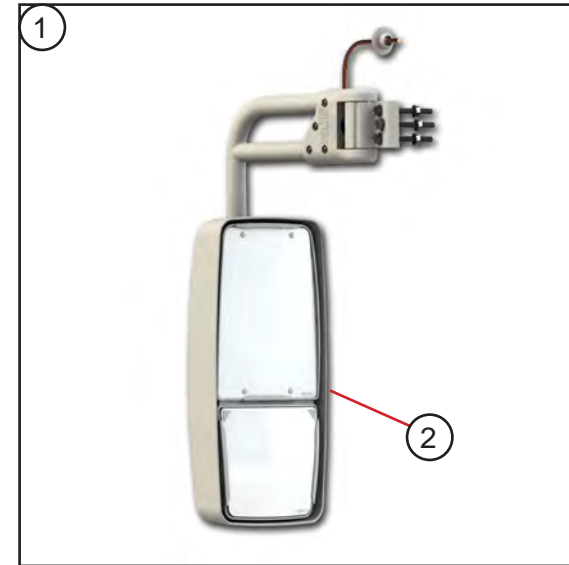
Bumpers



ITEM #	PART #	DESCRIPTION	QTY.	EA
1	248008000	FRONT BUMPER INSTALLATION 88W	1	EA
2	197008200	OUTER BUMPER CHANNEL ASSEMBLY	2	EA
3	167008402	CHANNEL BUMPER STEEL 7GA	1	EA
4	155008417	BUMPER LEAF SPRING STEEL .375X5X22	2	EA
5	167008401	CHANNEL BUMPER REAR STEEL .25X14.91X55.09	1	EA
6	167008403	BRACKET BUMPER MOUNT STL 7GAX8.12X8.32 LH	1	EA
7	167008404	BRACKET BUMPER MOUNT STL 7GAX8.12X8.32 RH	1	EA
8	240057202	BUMPER REAR 10" 88W	1	EA
9	003057200	MOUNT BUMPER SHOCK LH/RH	2	EA
10	238007470	HANGER PLATE	2	EA
11	006370401	PROTECTIVE RUBBER BUMPER 18"	2	EA



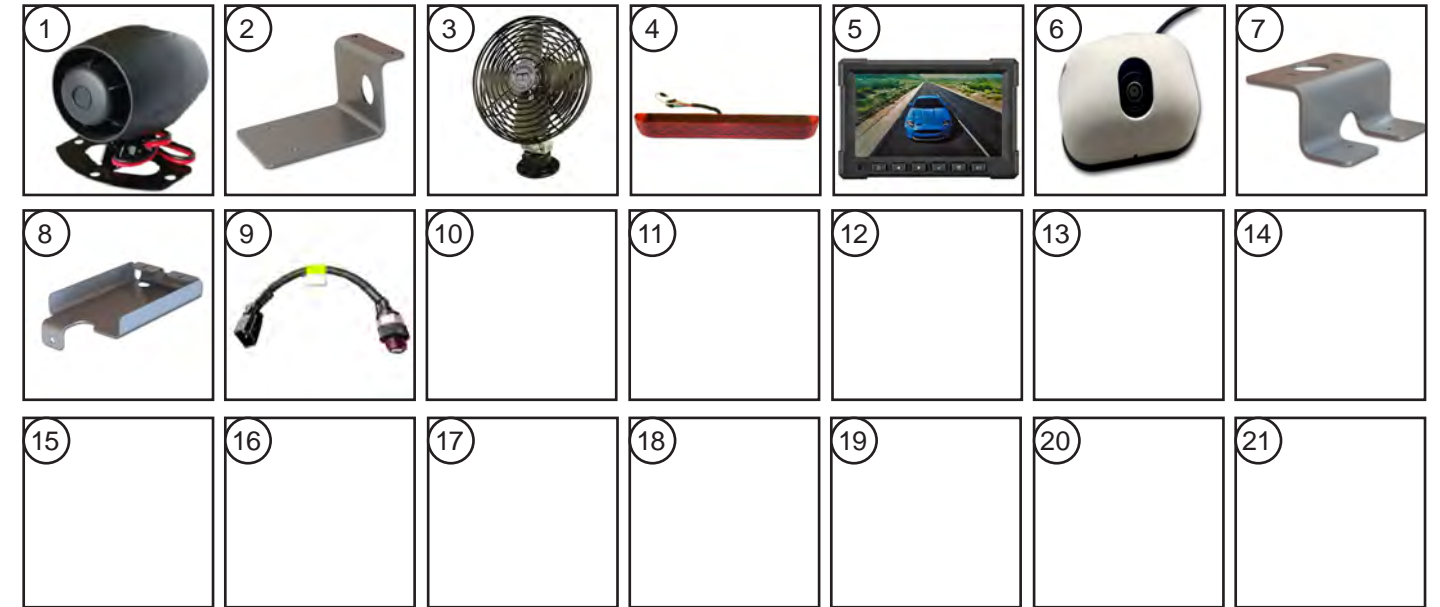
ITEM #	PART #	DESCRIPTION	QTY.	UNIT
1	47004507	WINDSHIELD WASHER RESERVOIR W/PUMP	1	EA
2	210063400	BRACKET WINDSHIELD RESERVOIR	1	EA
3	47004205	WIPER ARM - WET 20"	2	EA
4	47004134	WIPER BLADE 24"	2	EA
5	1101694	TEE WINDSHIELD WASHER	1	EA
6	1107122	HOSE WINDSHIELD WASHER	12	FT
7	47004229	WIPER SYSTEM TUBULAR 2 PIVOT 86/88W	1	EA
NS	N/A	MOTOR (NON SERVICEABLE)	1	EA
9	220055408	BRACKET WIPER MOTOR	1	EA
10	46021115	CLIP BODY LARGE PAN	1	EA
11	47004271	WET KIT FOR WIPER ARM (SPRAY NOZZLE & HOSE)	2	EA
12	47004272	RETAINING CLIP HOSE	2	EA



ITEM #	PART #	DESCRIPTION	QTY	UNIT
1	47006373	MIRROR ASSEMBLY LH BLACK HEATED	1	EA
2	47107197	MIRROR HEAD ONLY - LH	-	EA
3	47006374	MIRROR ASSEMBLY RH BLACK HEATED	1	EA
4	47107198	MIRROR HEAD ONLY - RH	-	EA
5	11007087	GROMMET .313X.063X.188	4	EA
6	44009079	TRIM QUICK EDGE ORANGE	7.82	FT
7	198142400	BRACKET - MIRROR MOUNT LH	1	EA
8	158142403	BRACKET - MIRROR MOUNT RH	1	EA
9	158142404	BRACKET - MIRROR RH	1	EA
10	47005099	MIRROR FRONT SIDE VIEW 10"	1	EA
11	81600095	MIRROR HEAD ONLY CONVEX 10.75"	1	EA
12	47006375	SWITCH (CONTROL ASSEMBLY) MIRRORS	1	EA
NS	240142400	SHIM MIRROR AL .188X1.38X1.75	2	EA



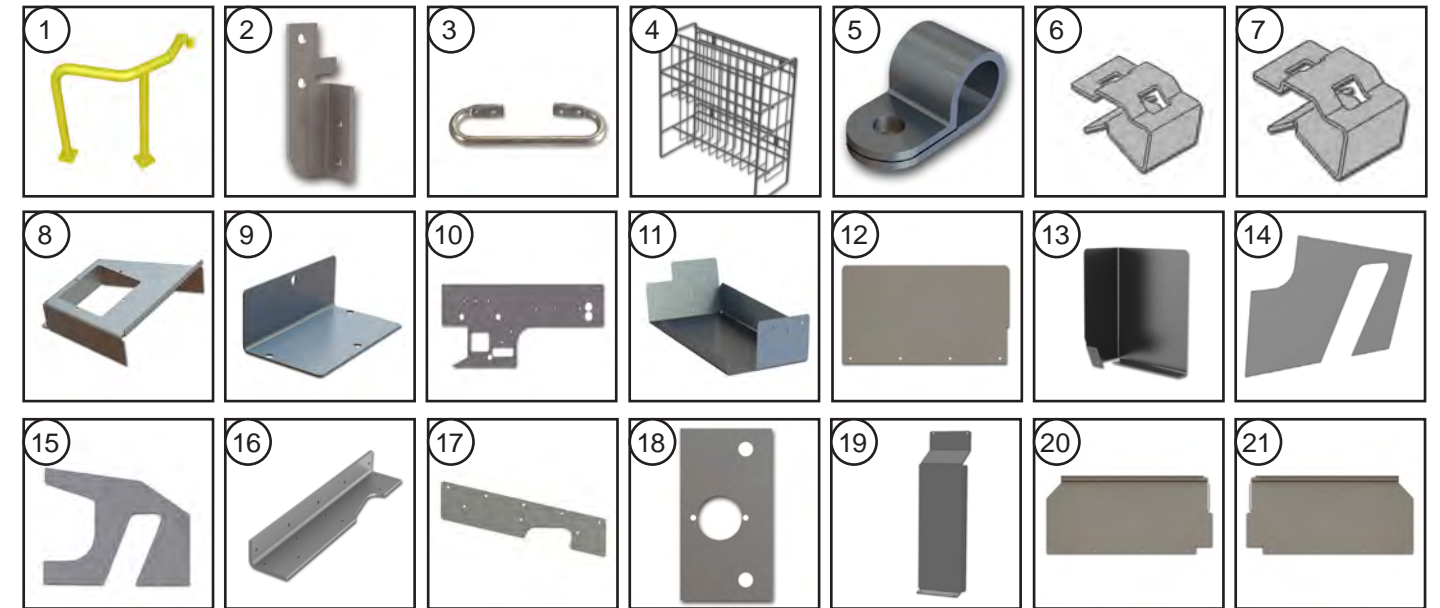
ITEM #	PART #	DESCRIPTION	QTY.	UNIT
1	46000210	HEADLAMP BASKET ASSEMBLY	2	EA
2	46000208	HEADLAMP LED	2	EA
3	46001388	LAMP CLEARANCE MARKER RED LED PC	7	EA
4	46001382	LAMP CLEARANCE MARKER AMBER LED PC P2	4	EA
4	46001395	LAMP CLEARANCE MARKER AMBER LED PC	5	EA
5	46001440	LAMP BACK UP LED	2	EA
6	46002222	LAMP REAR COMB TAIL/TURN LED	4	EA
7	46004402	GROMMET ROUND BLACK 4IN LAMP	6	EA
8	46002636	LAMP DOME - RECESSED 1-CAB / 3-CARGO	4	EA
9	46000615	LAMP PARK TURN LED FRONT	2	EA
10	46004403	GROMMET OBLONG	2	EA
11	47009642	LAMP LED CLEAR LICENSE PLATE	2	EA
12	46023532	SWITCH ROCKER DOME LAMP CAB SPST ON-OFF	1	EA
13	46023541	SWITCH ROCKER DOME LAMP CARGO SPDT ON-OFF	1	EA
14	46029062	SWITCH ROCKER AUX HEATER SPDT ON-OFF-ON	1	EA
15	46029061	SWITCH ROCKER DASH FAN	1	EA
16	46023511	SWITCH ROCKER DOOR UNLOCK	1	EA
17	46023544	SWITCH ROCKER PASSENGER DOOR UNLOCK	1	EA
18	46023543	SWITCH ROCKER DRIVER DOOR UNLOCK	1	EA
19	46025305	SWITCH MAGNETIC OPEN LOOP	1	EA
19	46025313	SWITCH MAGNETIC OPEN LOOP	1	EA
20	207094400	BRACKET - MAGNETIC SWITCH	1	EA
21	207094401	BRACKET - MAGNETIC SWITCH	1	EA



ITEM #	PART #	DESCRIPTION	QTY.	UNIT
1	46029081	SIREN 6-TONE 12V 25W 108dB	1	EA
2	247085400	PLATE MOUNTING - SIREN AL .102X3.5X7.48	1	EA
3	46030014	FAN 2 SPEED 270 CFM	1	EA
4	46001905	LAMP CENTER HIGH MOUNT	1	EA
5	48200266	MONITOR 7"	1	EA
6	48200343	CAMERA - FRONT & SIDES	3	EA
6	48200344	CAMERA - REAR	1	EA
7	247079400	BRACKET CAMERA	1	EA
8	207026400	GAURD BRACKET - MID CAMERA	2	EA
9	120081201	LAMP ASSEMBLY - DOOR OPEN RED	1	EA



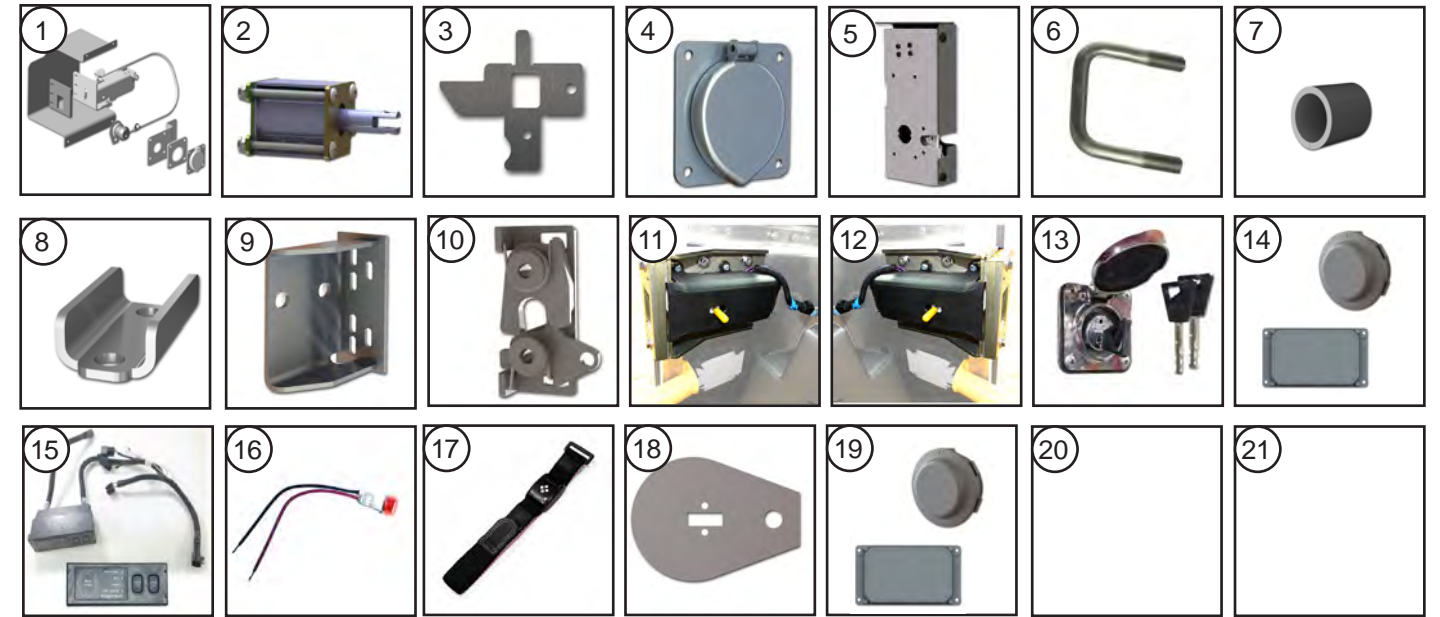
ITEM #	PART #	DESCRIPTION	QTY.	UNIT
1	46025017	REFLECTOR RED	4	EA
2	46025018	REFLECTOR AMBER	2	EA
3	102084499	BRACKET FUSE BOX AL .102X4X12.78	1	EA
4	173092401	COVER FUSE BOX AL .102X4X4.13	1	EA
5	1107109	GROMMET 0.375X0.125X.0625	2	EA
6	1107324	GROMMET .625X.25X.875	1	EA
7	44000052	GROMMET 1X.125X1.3125	2	EA
8	47005504	SUN VISOR	2	EA
9	237300400	LABEL FUSE BLOCK LH	1	EA
10	237300401	LABEL FUSE BLOCK RH	1	EA
11	47009653	CENTER CONSOLE	1	EA
12	47000688	HANDLE SIDE DOOR NON LOCKING PADDLE TYPE	2	EA
13	47009706	SUPPORT MUD FLAPS	1	PR
14	1107308	MUD FLAP 20X24 NO LOGO	1	PR
15	7504428	RETAINER BRACKET - MUD FLAPS	2	EA
16	80795014	ANGLE - RETAINER	2	EA
17	47008558	AUXILIARY HEATER	1	EA
18	247080401	BRACKET - AUX HEATER AL	1	EA
19	82093014	BRACKET UPRIGHT - SPARE TIRE	1	EA
20	1113047	HANDLE - SPARE TIRE	1	EA
21	168127402	CLAMP - SPARE TIRE STEEL .25 X 12 X 8.04	1	EA
NS	7900636	THREADED ROD .5-13 X 4.5" STEEL	1	EA



ITEM #	PART #	DESCRIPTION	QTY.	UNIT
1	47001070	GRAB RAIL - ENTRY POWERCOAT YELLOW	1	EA
2	217005413	ANGLE ATTACH - GRAB RAIL	1	EA
3	90187301	GRAB HANDLE AL .5DIA 5X10	1	EA
4	47009599	BASKET ORGANIZER P700 (BRACKET 003750460 AL)	1	EA
5	46021104	CLASP	1	EA
6	46021114	CLIP BODY MED	2	EA
7	46021115	CLIP BODY LARGE	2	EA
8	217005438	BRACKET FRESH AIR INTAKE AL	1	EA
9	217005439	COVER PLATE - AIR INTAKE AL	1	EA
10	227116401	INSULATION DASH WALL	1	EA
11	248024406	COVER BATTERY AL	1	EA
12	248024407	SPLASH SHIELD BATTERY AL	1	EA
13	248024402	BRACKET GUARD - BATTERY AL	1	EA
14	118026407	SHIELD VINYL LH	1	EA
15	248026403	SHIELD VINYL RH (BRACKET 248026403 AL)	1	EA
16	248026400	ANGLE BRACKET GUARD AL 1100482X17	1	EA
17	248026401	PLATE SUPPORT GUARD AL .102X3.43X17.93	1	EA
18	240111400	PLATE MOUNTING HEATER	1	EA
19	177080400	GUARD BRACKET HEATER AL	1	EA
20	240019401	PANEL LINER LH (ABOVE WINDOW) AL	1	EA
21	240019402	PANEL LINER RH (ABOVE WINDOW) AL	1	EA
NS	470019401	CARPET GREY - LINER (ABOVE WINDOWS)	4	FT

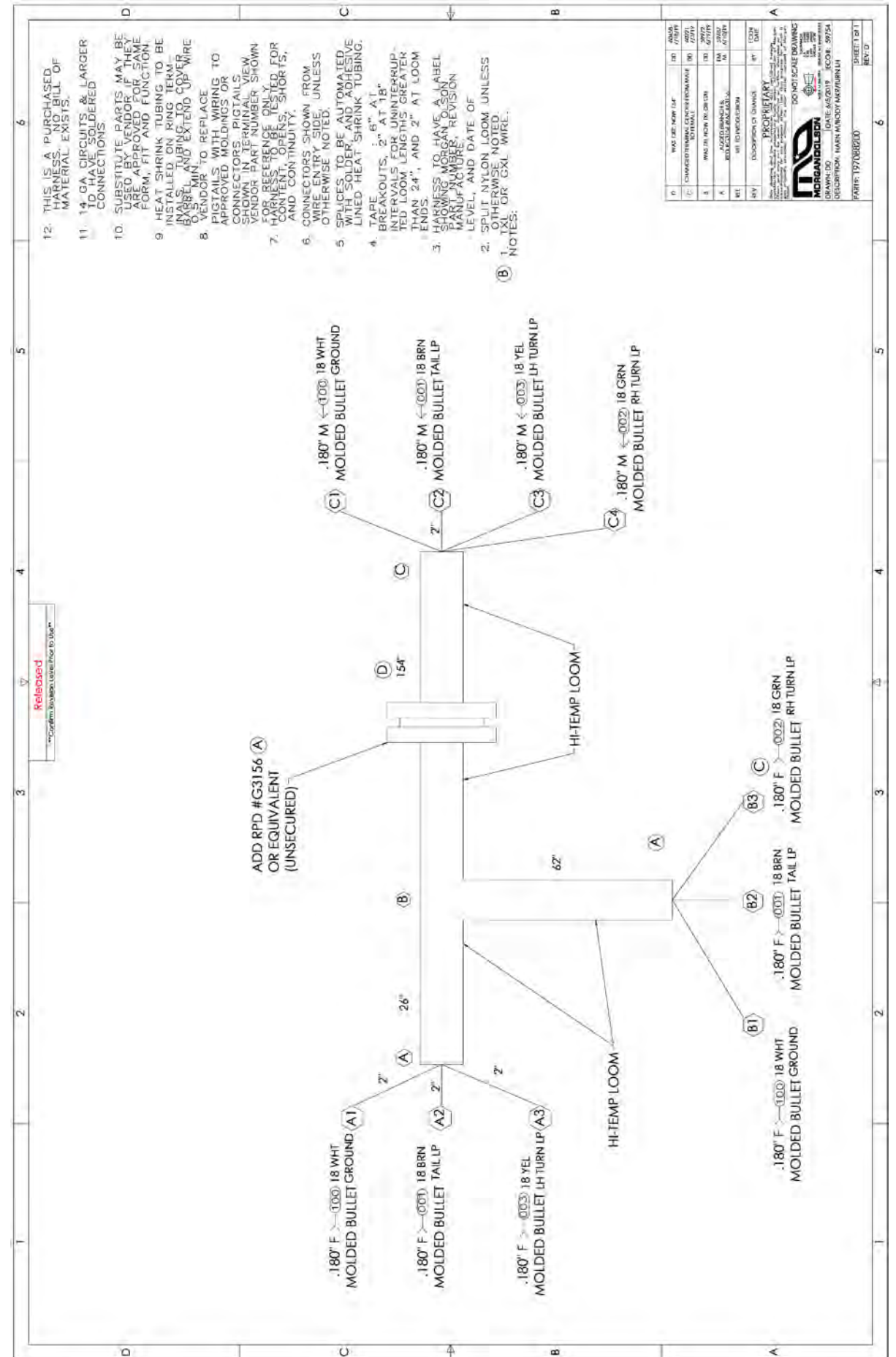


ITEM #	PART #	DESCRIPTION	QTY.	UNIT
1	47009574	FIRST AID KIT	1	EA
2	47009621	FIRE EXTINGUISHER 2.5 LB 1A10BC	1	EA
3	47009547	TRIANGLE KIT	1	EA
4	47009548	BRACKET FOR TRIANGLE KIT	1	EA
5	45200051	TRASH RECEPTICLE	1	EA
6	077240433	BRACKET FOR TRASH RECEPTICLE AL	1	EA
7	47009598	BASKET - PRINTER	1	EA
8	197127400	CAB BASKET CNSL AL	1	EA
9	47009199	POUCH - VINYL HAZMAT	1	EA
10	47009240	POUCH - DRIVER INFO	1	EA
11	47009241	POUCH - REGISTRATION VINYL OPEN TOP	1	EA
12	47006146	STRAP HAND CART	1	EA
13	165127401	CATCH HAND CART	1	EA
14	43000516	PLACARD FLIP - SOL CANADA	3	EA
14	43000517	PLACARD FLIP - SPT CANADA	1	EA
15	44004002	TRIM - DRIP RAIL	7.75	FT
16	47001084	GRAB HANDLE OFFSET	4	EA
17	247027405	COVER PLATE - WIRE PASS THROUGH	1	EA
18	188028404	INSULATION ENGINE BOX LID 13.88X27.63	1	EA
19	188028405	INSULATION ENGINE BOX TOP 13.89X32.42	1	EA
20	188028406	INSULATION ENGINE BOX FRT 12.23X31.3	1	EA
21	188028407	INSULATION ENGINE BOX SI 17.38X25.3 LH	1	EA
22	188028408	INSULATION ENGINE BOX SI 17.54X29.8 RH	1	EA



ITEM #	PART #	DESCRIPTION	QTY.	UNIT
1	247147203	KEYLESS LOCK ASSEMBLY @ REAR DOOR	1	EA
2	137147400	SOLENOID OPEN FRAME PULL TYPE	1	EA
3	137147403	STRIKER STEEL	1	EA
4	136060401	RECEPTICAL W/ DUST COVER	1	EA
5	237147200	KEYLESS LOCK ASSEMBLY @ BULKHEAD DOOR	1	EA
6	40300937	U-BOLT	1	EA
7	45700213	SLEEVE .51 X 1"	2	EA
8	247147404	BRACKET - LATCH	1	EA
9	237147204	STRIKER BRACKET - BULKHEAD DOOR	1	EA
10	45700205	LATCH ROTARY	1	EA
11	46029041	KEYLESS LOCK ASSEMBLY LH	1	EA
12	46029042	KEYLESS LOCK ASSEMBLY RH	1	EA
13	47000993	ABLOY LOCK CYLINDER W/ 2 KEYS	3	EA
14	46029077	KEYLESS RFID KIT (ANTENNA / READER / WRIST BANDS X3)	1	EA
15	46029079	MODULE - KEYLESS START	1	EA
16	46003020	LAMP - DOOR OPEN INDICATOR	1	EA
17	46029021	REPLACEMENT WRIST BAND (SINGLE)	-	EA
18	40900011	LOCK CAM - @ REAR DOOR KEYLESS LOCK	1	EA
18	40900012	LOCK CAM - @ SIDE DOOR RH	1	EA
19	46029078	KEYLESS RFID KIT @ REAR (ANT / READER / 1 WRIST BAND)	1	EA

PAGE #	PART #	DESCRIPTION	QTY	UNIT
39	197088200	WIRING HARNESS MID BODY MARKER	1	EA
40	082091200	WIRING HARNESS POWER OPTION FROM BATTERY	1	EA
41	88117437	WIRING HARNESS JUMPER	1	EA
42	090093202	WIRING HARNESS JUMPER CARGO DOME LAMP	3	EA
43-44	237093200	WIRING HARNESS ROOF	1	EA
45	098085201	WIRING HARNESS HOOD AL FCC	1	EA
46	237091200	WIRING HARNESS ROOF NOSE	1	EA
47	130092204	WIRING HARNESS LICENSE PLATE BOX	1	EA
48	140088200	WIRING HARNESS JUMPER X48	1	EA
49	222079200	WIRING HARNESS BLIND SPOT TURN TRIGGER	1	EA
50	230092201	WIRING HARNESS AUX LOAD 2 LVL	1	EA
51-55	237084206	WIRING HARNESS I/P RFID KEYLESS FCC	1	EA
56-58	237086201	WIRING HARNESS REAR LAMP BACK PANEL W/ KYLS	1	EA
59	247084201	WIRING HARNESS DOOR AJAR	1	EA
60	46029075	WIRING HARNESS JUMPER KEYLESS READER 36"	1	EA
61	48200011	CABLE CAMERA 4'	1	EA
61	48200092	CABLE CAMERA X34'	1	EA
61	48200137	CABLE CAMERA TO MONITOR X15'	1	EA
61	48200183	CABLE CAMERA X3'	1	EA
61	48200204	CABLE CAMERA TO MONITOR X10F	1	EA



DRAWING NO.	REV	SHT
082091200		1 OF 1
REV.	DESCRIPTION	BY
	RELEASE FOR PRODUCTION	DATE

10. SEALED CONNECTORS AS NOTED TO BE GREASED WITH TRUCK-LITE NYK-77 COMPOSITION PREVENTATIVE COMPOUND OR EQUIV.
9. THIS IS A PURCHASED HARNESS. NO BILL OF MATERIAL EXISTS.
8. VENDOR TO REPLACE PIGTAILS WITH WIRING TO APPROVED MOLDINGS OR SHOWING IN DRAWING. VENDOR PART NUMBER SHOWN FOR REFERENCE ONLY.
7. HARNESS TO BE TESTED FOR CONTENT OPENS, SHORTS, AND CONTINUITY.
6. CONNECTORS SHOWN FROM WIRE ENTRY SIDE UNLESS OTHERWISE NOTED.
5. SPLICES TO BE AUTOMATED WITH HEAT SHRINK TUBING.
4. TAPE [1111098]: 6" AT BREAKOUTS AND 2" AT LOOM ENDS.
3. HARNESS TO HAVE A LABEL PART NUMBER MORGAN OLSON LEVEL AND DATE OF MANUFACTURE.
2. SPLIT POLY LOOM UNLESS OTHERWISE NOTED.
1. GXL WIRE.

NOTES:

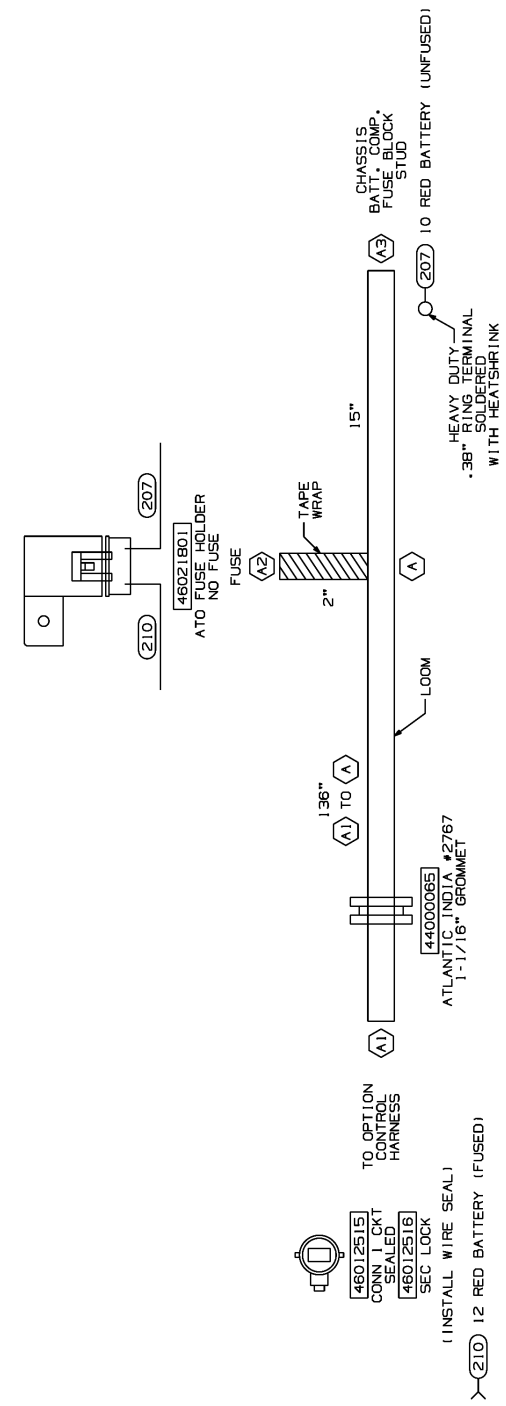
PROPRIETARY
This drawing and the information and data contained herein are the property of Morgan Olson and shall be kept confidential. No part of this drawing may be reproduced or transmitted in any form or by any means, electronic, mechanical, photocopying, recording, or by any information storage and retrieval system, without the prior written consent of Morgan Olson.



GENERAL STANDARDS UNLESS OTHERWISE NOTED: .0001 .010			
1. TOLERANCES: .015 .005 .010 .005			
2. DIMENSIONS: ALL DIMENSIONS UNLESS OTHERWISE NOTED ARE IN INCHES			
3. DIMENSIONS: ALL DIMENSIONS UNLESS OTHERWISE NOTED ARE IN MILLIMETERS			
4. DIMENSIONS: ALL DIMENSIONS UNLESS OTHERWISE NOTED ARE IN MILLIMETERS			
DATE	DFW	DFW	08-0010
09JAN08	09JAN08	09JAN08	09JAN08
DO NOT SCALE			
NAME			
HARN-PWR, OPTION, FROM BATT			
DRAWING NO.	SCALE	SHT	NONE
082091200		1 OF 1	

BASED ON:
074083201

HARNESS AND LOOM TOLERANCES
UP TO 60" : -0/+2"
60" TO 100" : -0/+4"
100" TO 200" : -0/+5"
200" TO 400" : -0/+6"
400" TO 600" : -0/+7"
OVER 600" : -0/+8"
BO TO BO : -0/+2"
TOLERANCE IS NOT ACCUMULATIVE. LENGTH APPLICABLE TO OVERALL HARNESS LENGTH, BREAKOUT TO END, OR LOOM.



CIRCUIT	GAUGE/COLOR	END POINTS	FUNCTION
207	10 RED	A2, A3	BATTERY (UNFUSED)
210	12 RED	A1, A2	BATTERY (IFUSED)

DRAWING NO.	REV	SHT
88117437		1 OF 1
REV.	DESCRIPTION	BY
	RELEASE TO PRODUCTION	DATE

8. VENDOR MAY REPLACE PIGTAILS WITH WIRING TO APPROVED MOLDINGS OR CONNECTORS. PIGTAILS SHOWN IN TERMINAL VIEW.
7. HARNESS TO BE TESTED FOR CONTENT OPENS, SHORTS, AND CONTINUITY.
6. CONNECTORS SHOWN FROM WIRE ENTRY SIDE UNLESS OTHERWISE NOTED.
5. SPLICES TO BE AUTOMATED WITH HEAT SHRINK TUBING. HEAT SHRINK TUBING SPLICES ARE ACCEPTABLE FOR GO FABRICATION IF NECESSARY.
4. TAPE [1111098]: 6" AT BREAKOUTS AND 2" AT LOOM ENDS.
3. HARNESS TO HAVE A LABEL SHOWING GRUAMAN OLSON PART NUMBER, REVISION NUMBER, DATE OF MANUFACTURE.
2. SPLIT POLY LOOM UNLESS OTHERWISE NOTED.
1. GXL WIRE.

NOTES:

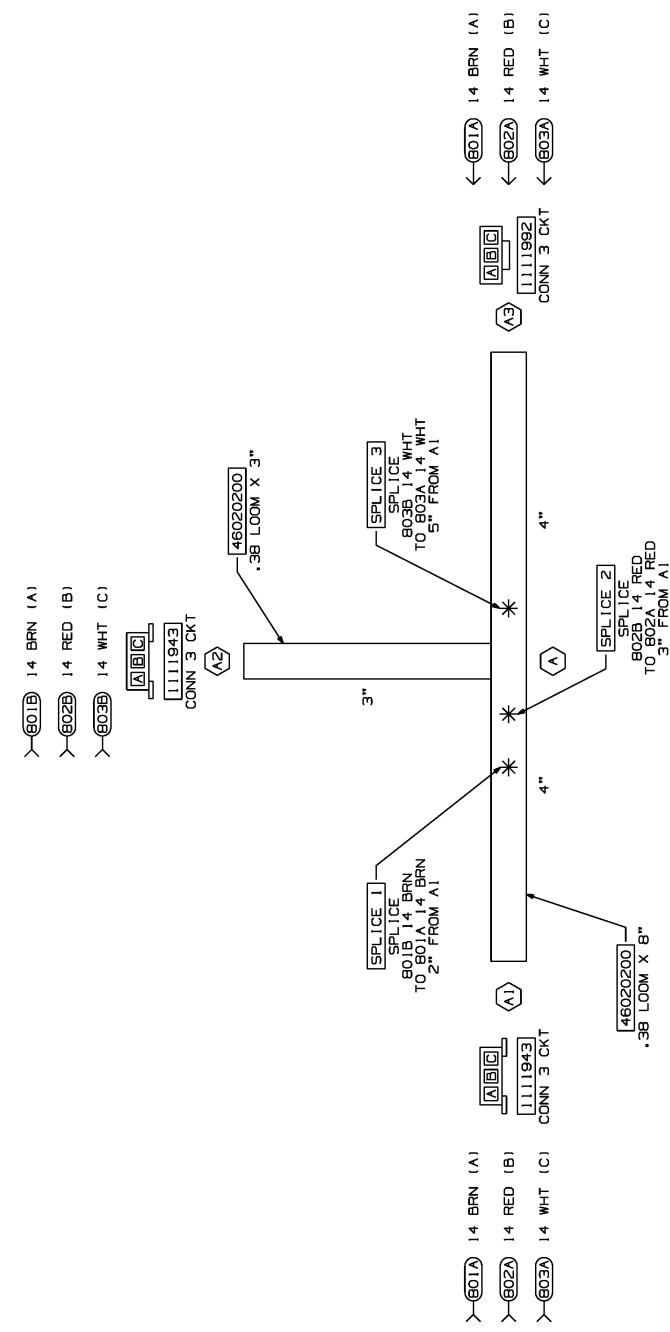
PROPRIETARY
This drawing and the information and data contained herein are the property of Morgan Olson and shall be kept confidential. No part of this drawing may be reproduced or transmitted in any form or by any means, electronic, mechanical, photocopying, recording, or by any information storage and retrieval system, without the prior written consent of Morgan Olson.



GENERAL STANDARDS UNLESS OTHERWISE NOTED: .0001 .010			
1. TOLERANCES: .015 .005 .010 .005			
2. DIMENSIONS: ALL DIMENSIONS UNLESS OTHERWISE NOTED ARE IN INCHES			
3. DIMENSIONS: ALL DIMENSIONS UNLESS OTHERWISE NOTED ARE IN MILLIMETERS			
DATE	TMC	SEH	02-0241
27FEB02	28FEB02	28FEB02	28FEB02
DO NOT SCALE			
NAME			
JUMPER-HARN TEE-GENERIC			
DRAWING NO.	SCALE	SHT	NONE
88117437		1 OF 1	

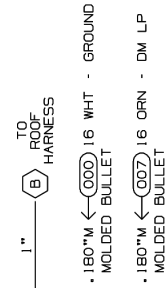
HARNESS AND LOOM TOLERANCES
UP TO 60" : -0/+2"
60" TO 100" : -0/+4"
100" TO 200" : -0/+5"
200" TO 400" : -0/+6"
400" TO 600" : -0/+7"
OVER 600" : -0/+8"
BO TO BO : -0/+2"
TOLERANCE IS NOT ACCUMULATIVE. LENGTH APPLICABLE TO OVERALL HARNESS LENGTH, BREAKOUT TO END, OR LOOM.

CIRCUIT	DESCRIPTION	END POINTS	FUNCTION
B01A	14 BRN 008 1111944 OE 4601B504	A1, A3	GENERIC
B01B	14 BRN 005 1111944 OE STR .25	A2, SPLICE 1	GENERIC
B02A	14 RED 008 1111944 OE 4601B504	A1, A3	GENERIC
B02B	14 RED 004 1111944 OE STR .25	A2, SPLICE 2	GENERIC
B03A	14 WHT 008 1111944 OE 4601B504	A1, A3	GENERIC
B03B	14 WHT 004 1111944 OE STR .24	A2, SPLICE 3	GENERIC



DRAWING NO.	REV	SHT
090093202	A	1 OF 1
REV	DESCRIPTION	BY
A	RELEASE FOR PRODUCTION	
	80" WAS 64"	

9. THIS IS A PURCHASED PART. FULL OF MATERIAL EXISTS.
10. VENDOR MAY REPLACE PARTS WITH NEWER EQUIVALENTS. MOLDING CONNECTORS PICTOALS SHOWN IN TERMINAL VIEW.
11. HARNESS TO BE TESTED FOR SHORTS, OPEN CIRCUITS AND CONTINUITY.
12. CONNECTORS SHOWN FROM THE FRONT VIEW, UNLESS OTHERWISE NOTED.
13. SPLICES TO BE AUTOMATED WITH SOLDER, AND ADHESIVE LINED HEAT SHRINK TUBING.
14. TAPE (1111096) 6" AT BREAKOUTS, 2" AT 18" INTERVALS FOR UNINTERRUPTED LOOM LENGTHS GREATER THAN 24", AND 2" AT LOOM ENDS.
15. HARNESS TO HAVE A LABEL SHOWING MORGAN OLSON PART NUMBER, REVISION NUMBER AND MANUFACTURE DATE OF MANUFACTURE.
16. SPLIT POLY LOOM UNLESS OTHERWISE NOTED.
17. GXL WIRE.



- 180" F → (000) 16 WHIT - GROUND MOLDED BULLET
- 180" F → (007) 16 ORN - DM LP MOLDED BULLET

FEMALE TERMINALS TO BE GREASED

DATE: 12/11/09		DESIGNED BY: JRM	
DRAWN BY: JRM		CHECKED BY: JRM	
DATE: 12/11/09		DATE: 12/11/09	
DWG NO: 268116		REV: 01	
DATE: 26OCT09		DATE: 26OCT09	
DO NOT SCALE			
NAME: HARN JPR CRG D/LP GEN -160BLLT		SCALE: NONE	
SHT: 1 OF 1		REV: 090093202	

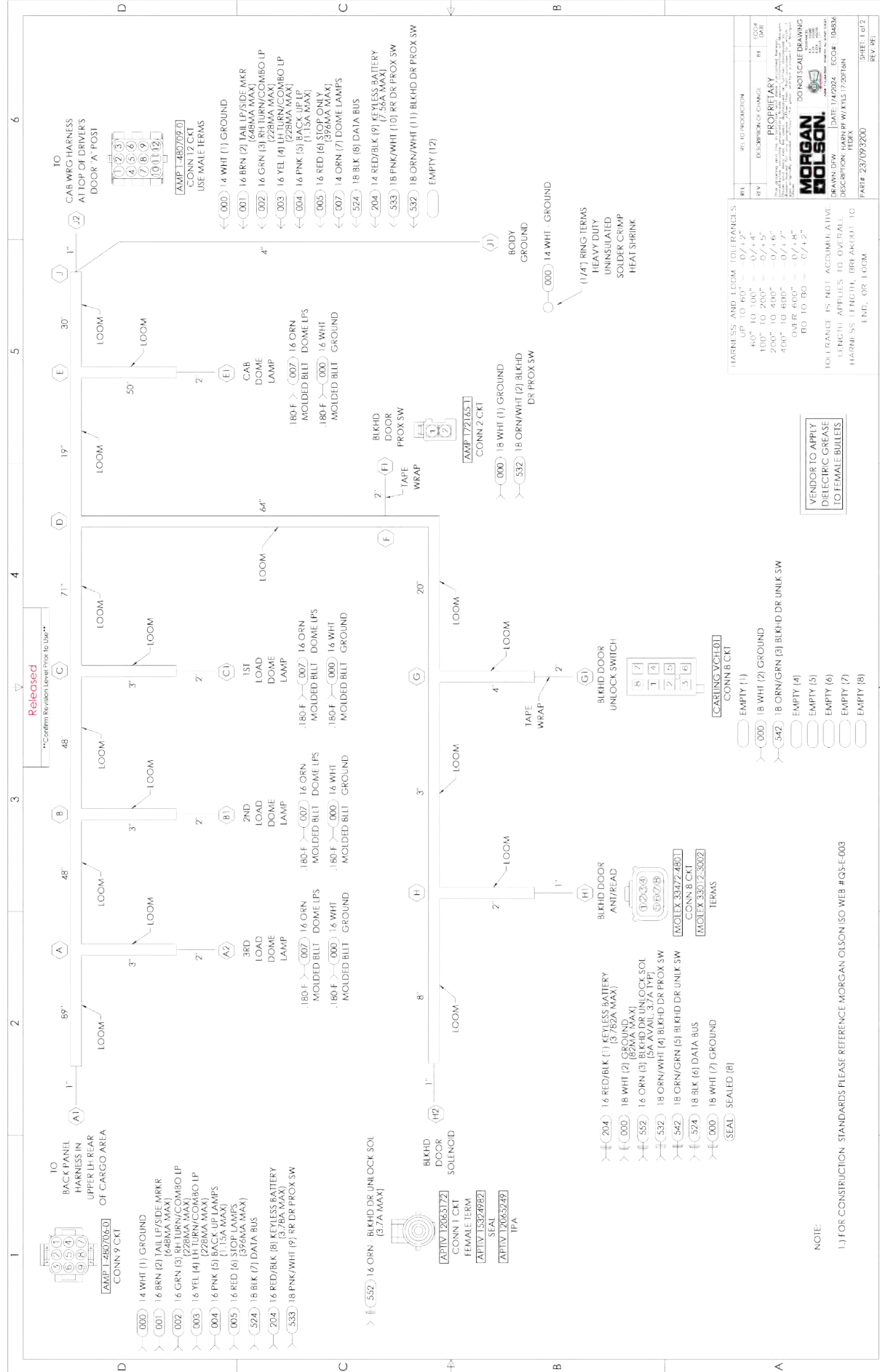
HARNES AND LOOM TOLERANCES
UP TO 60" = -0/+2"
60" TO 100" = -0/+4"
100" TO 200" = -0/+5"
200" TO 400" = -0/+6"
400" TO 600" = -0/+7"
OVER 600" = -0/+8"
BO TO BO = -0/+2"
LENGTHS APPLY FROM BREAKOUT TO BREAKOUT OR BREAKOUT TO ENTRY SIDE OF CONNECTOR, OR END OF COVER.

FIRST USE:
CV100632
BASED ON:
007388326

PROPRIETARY
This drawing is the property of Morgan Olson. No part of this drawing may be reproduced, stored in a retrieval system, or transmitted in any form or by any means, electronic, mechanical, photocopying, recording, or by any information storage and retrieval system, without the prior written consent of Morgan Olson.

MORGAN OLSON

1. TOLERANCE: ±.000 UNLESS OTHERWISE SPECIFIED
2. DIMENSIONS ARE IN INCHES UNLESS OTHERWISE SPECIFIED
3. ALL DIMENSIONS ARE TO CENTER UNLESS OTHERWISE SPECIFIED
4. DIMENSIONS TO SURFACE UNLESS OTHERWISE SPECIFIED
5. DIMENSIONS TO CENTER UNLESS OTHERWISE SPECIFIED
6. DIMENSIONS TO CENTER UNLESS OTHERWISE SPECIFIED



1	2	3	4	5	6
---	---	---	---	---	---

REV	BY	DATE	DESCRIPTION
A	JRM	12/11/09	PROPRIETARY

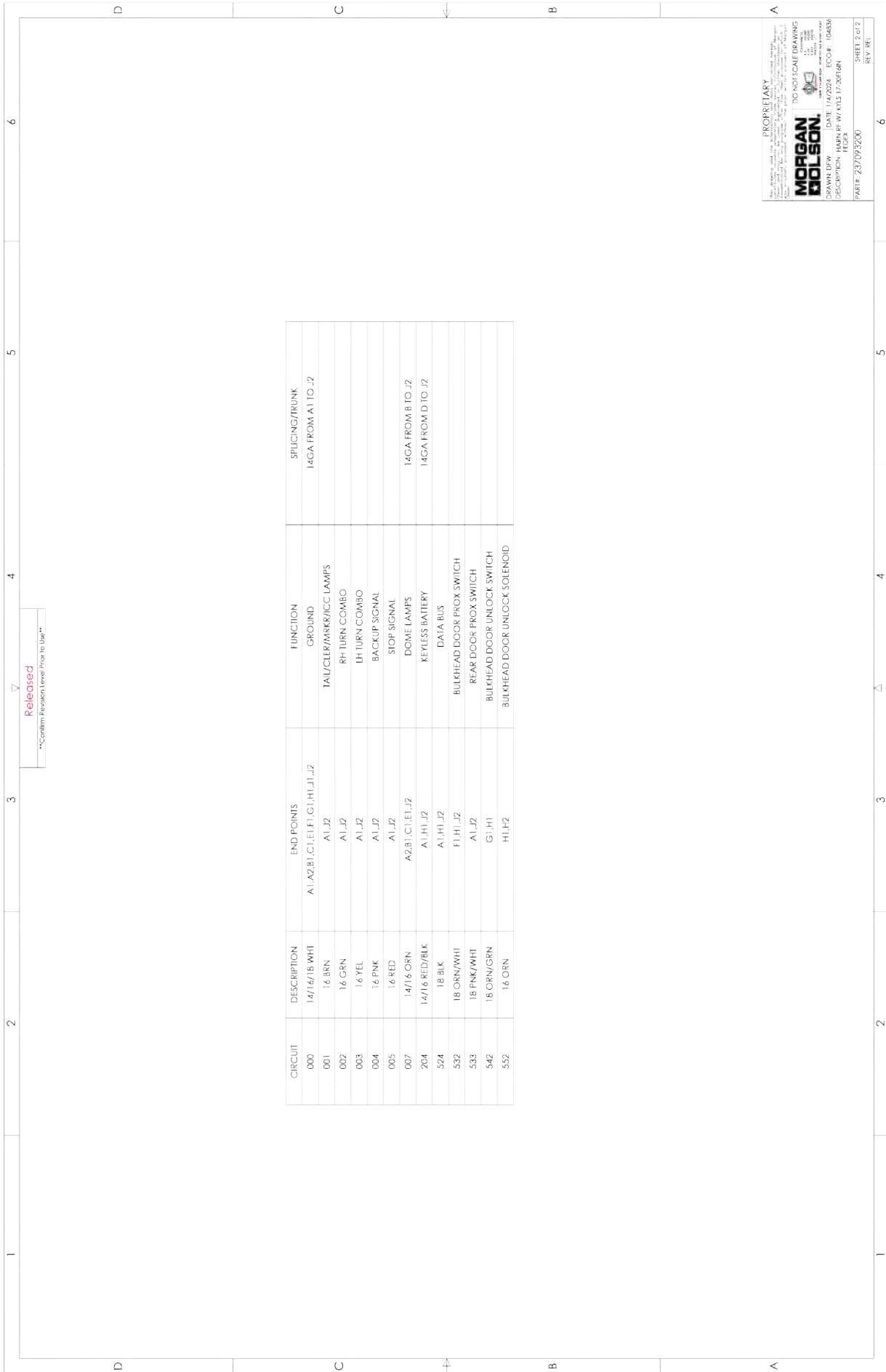
MORGAN OLSON
MORGAN OLSON PARTS
1200 S. 10TH AVE. #100
MILWAUKEE, WI 53215
TEL: 414.881.1234
FAX: 414.881.1235
WWW.MORGANOLSONPARTS.COM

HARNES AND LOOM TOLERANCES
UP TO 60" = -0/+2"
60" TO 100" = -0/+4"
100" TO 200" = -0/+5"
200" TO 400" = -0/+6"
400" TO 600" = -0/+7"
OVER 600" = -0/+8"
BO TO BO = -0/+2"
LENGTHS APPLY FROM BREAKOUT TO BREAKOUT OR BREAKOUT TO ENTRY SIDE OF CONNECTOR, OR END OF COVER.

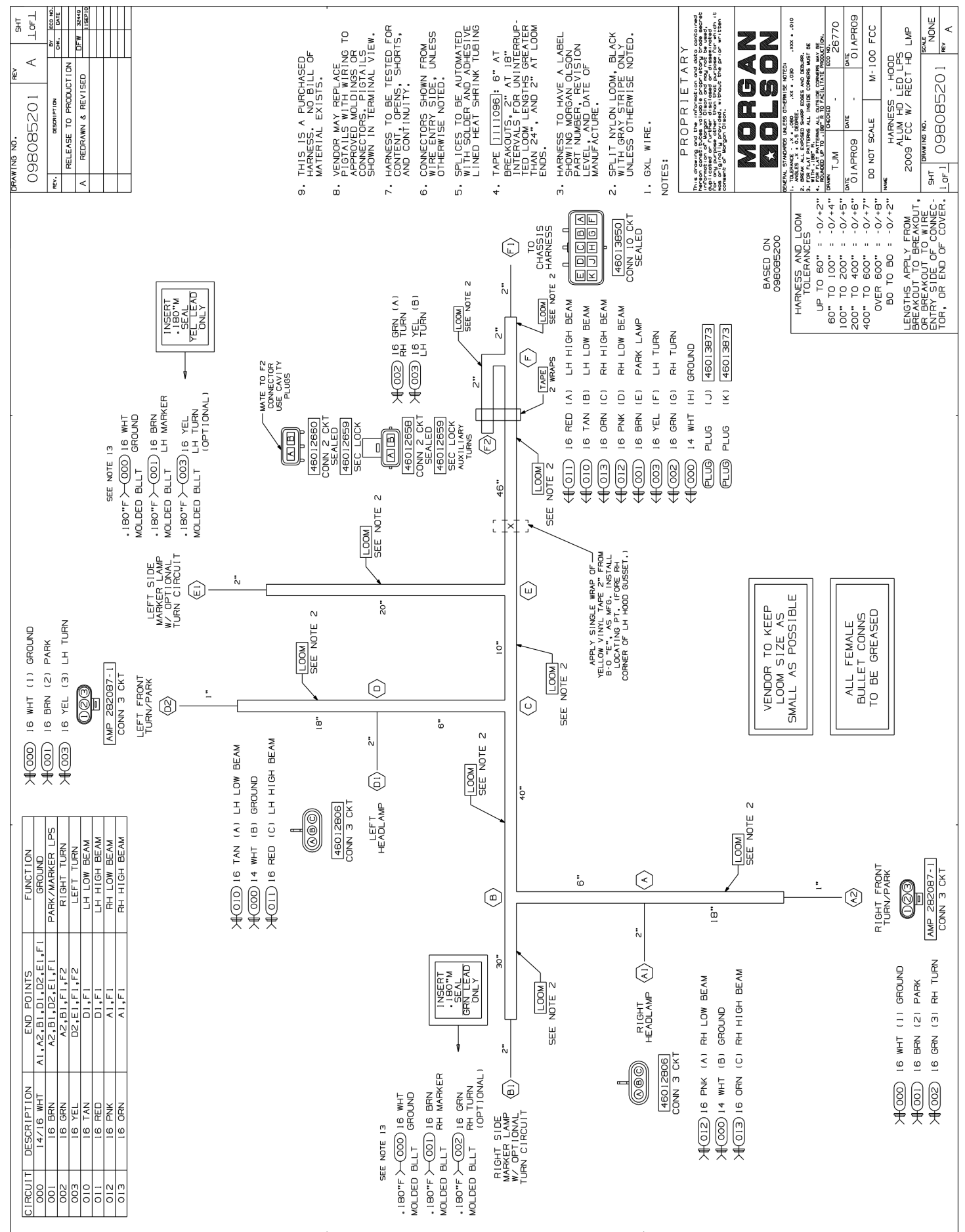
PROPRIETARY
This drawing is the property of Morgan Olson. No part of this drawing may be reproduced, stored in a retrieval system, or transmitted in any form or by any means, electronic, mechanical, photocopying, recording, or by any information storage and retrieval system, without the prior written consent of Morgan Olson.

MORGAN OLSON

1. TOLERANCE: ±.000 UNLESS OTHERWISE SPECIFIED
2. DIMENSIONS ARE IN INCHES UNLESS OTHERWISE SPECIFIED
3. ALL DIMENSIONS ARE TO CENTER UNLESS OTHERWISE SPECIFIED
4. DIMENSIONS TO SURFACE UNLESS OTHERWISE SPECIFIED
5. DIMENSIONS TO CENTER UNLESS OTHERWISE SPECIFIED
6. DIMENSIONS TO CENTER UNLESS OTHERWISE SPECIFIED



PROPRIETARY
MORGAN OLSON
DO NOT SCALE DRAWING
DATE: 1/4/2025 EOCF: 104504
DESCRIPTION: HARN W/ W/AS 172876A
PART: 237092200
SHEET: 2 of 2
REV. RE:



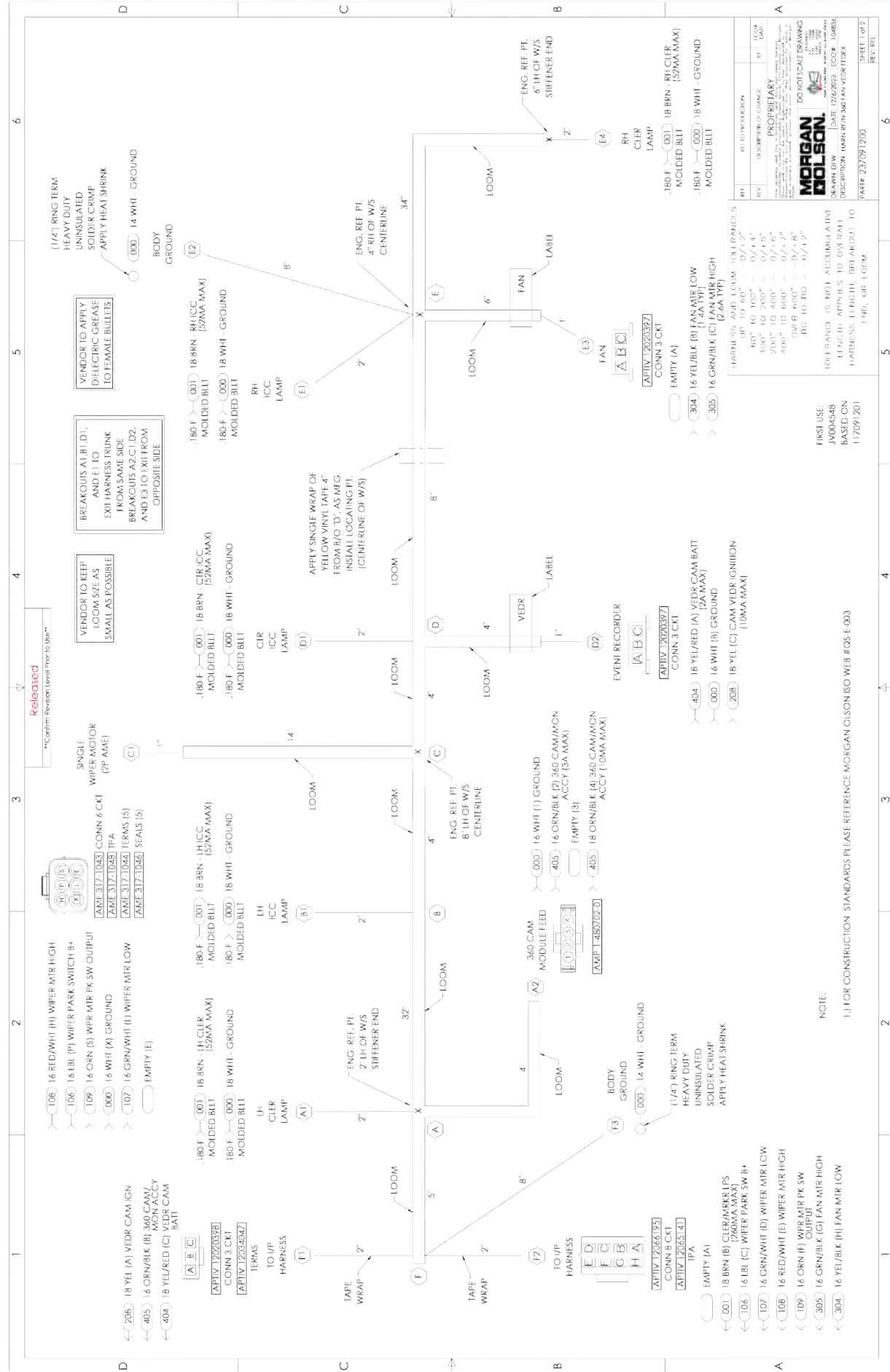
1. THIS IS A PURCHASED HARNSS. NO BILL OF MATERIAL EXISTS.
2. VENDOR MAY REPLACE PIGTAILS WITH WIRING TO APPROVED MOULDINGS OR APPROVED MOULDINGS SHOWN IN TERMINAL VIEW.
3. HARNSS TO BE TESTED FOR CONTENTS, OPENS, SHORTS, AND CONTINUITY.
4. CONNECTORS SHOWN FROM WIRE ENTRY SIDE, UNLESS OTHERWISE NOTED.
5. SPLICES TO BE AUTOMATED WITH SOLDER AND ADHESIVE LINED HEAT SHRINK TUBING.
6. TAPE (LIL1098): 6" AT BREAKOUTS FOR UNIFORMITY. WIRE LENGTHS GREATER THAN 24", AND 2" AT LOOM ENDS.
7. HARNSS TO HAVE A LABEL SHOWING MORGAN OLSON PART NUMBER, REVISION LEVEL, AND DATE OF MANUFACTURE.
8. SPLIT NYLON LOOM, BLACK WITH GRAY STRIPE ONLY UNLESS OTHERWISE NOTED.
9. GXL WIRE.

PROPRIETARY
MORGAN OLSON
DO NOT SCALE DRAWING
DATE: 1/4/2025 EOCF: 104504
DESCRIPTION: HARN W/ W/AS 172876A
PART: 237092200
SHEET: 2 of 2
REV. RE:

BASED ON 098085200

HARNSS AND LOOM TOLERANCES
UP TO 60" : -0/+2"
60" TO 100" : -0/+4"
100" TO 200" : -0/+5"
200" TO 400" : -0/+6"
400" TO 600" : -0/+7"
OVER 600" : -0/+8"
BO TO BO : -0/+2"

LENGTHS APPLY FROM BREAKOUT TO BREAKOUT OR BREAKOUT TO ENTRY SIDE OF CONNECTOR, OR END OF COVER.



REV	DESCRIPTION	DATE
1	RELEASE FOR PRODUCTION	

1.180 > (001) 16 BRN - LIC LP MOLDDED BLT
1.180 > (000) 16 WHI - GROUND MOLDDED BLT

1.180 > (001) 16 BRN - LIC LP MOLDDED BLT
1.180 > (000) 16 WHI - GROUND MOLDDED BLT

1.180 > (001) 16 BRN - LIC LP MOLDDED BLT
1.180 > (000) 16 WHI - GROUND MOLDDED BLT

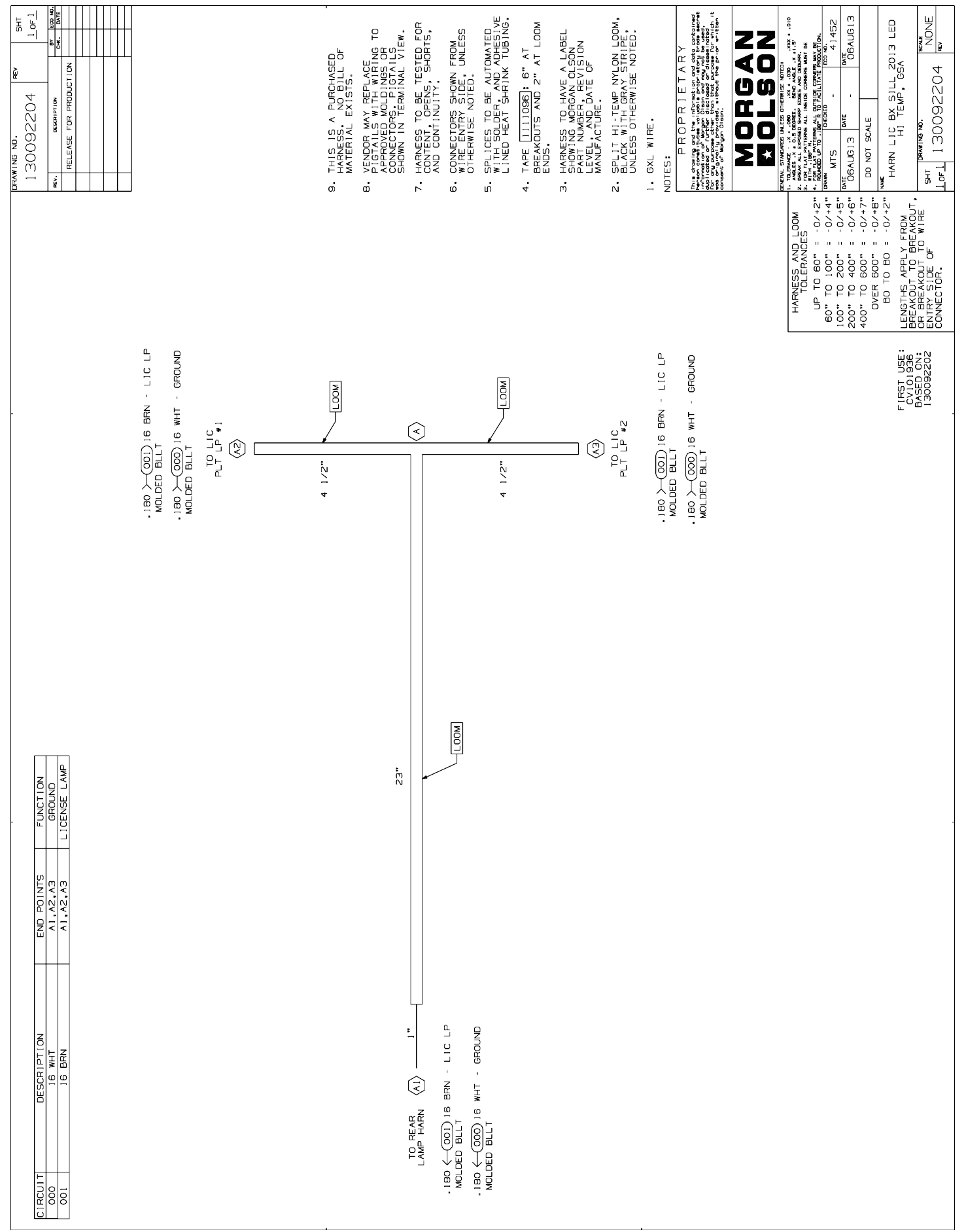
1.180 > (001) 16 BRN - LIC LP MOLDDED BLT
1.180 > (000) 16 WHI - GROUND MOLDDED BLT

1.180 > (001) 16 BRN - LIC LP MOLDDED BLT
1.180 > (000) 16 WHI - GROUND MOLDDED BLT

1.180 > (001) 16 BRN - LIC LP MOLDDED BLT
1.180 > (000) 16 WHI - GROUND MOLDDED BLT

1.180 > (001) 16 BRN - LIC LP MOLDDED BLT
1.180 > (000) 16 WHI - GROUND MOLDDED BLT

1.180 > (001) 16 BRN - LIC LP MOLDDED BLT
1.180 > (000) 16 WHI - GROUND MOLDDED BLT



REV	DESCRIPTION	DATE
1	RELEASE FOR PRODUCTION	

1.180 > (001) 16 BRN - LIC LP MOLDDED BLT
1.180 > (000) 16 WHI - GROUND MOLDDED BLT

1.180 > (001) 16 BRN - LIC LP MOLDDED BLT
1.180 > (000) 16 WHI - GROUND MOLDDED BLT

1.180 > (001) 16 BRN - LIC LP MOLDDED BLT
1.180 > (000) 16 WHI - GROUND MOLDDED BLT

1.180 > (001) 16 BRN - LIC LP MOLDDED BLT
1.180 > (000) 16 WHI - GROUND MOLDDED BLT

1.180 > (001) 16 BRN - LIC LP MOLDDED BLT
1.180 > (000) 16 WHI - GROUND MOLDDED BLT

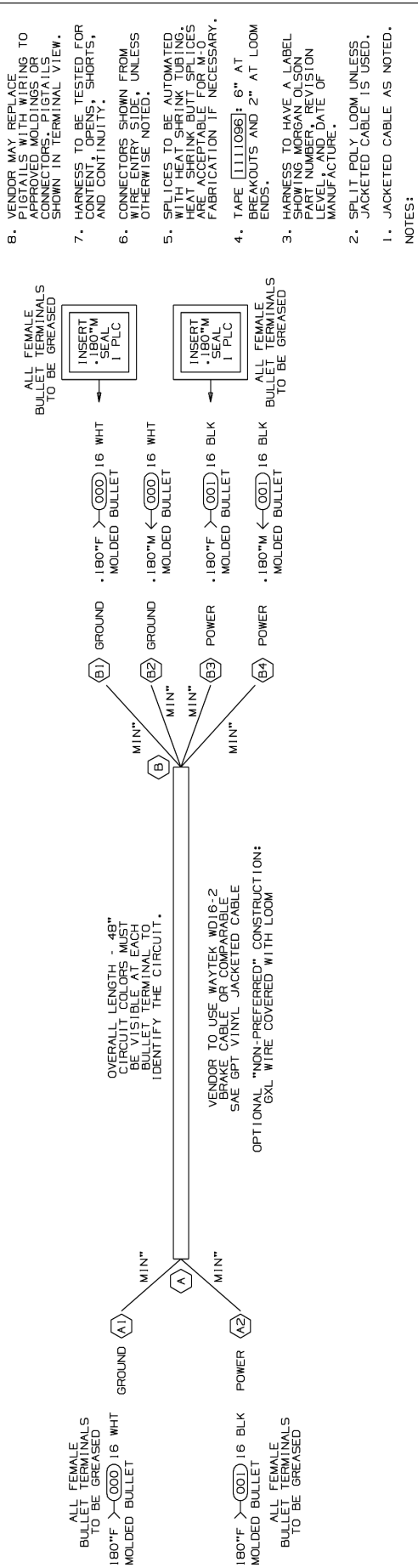
1.180 > (001) 16 BRN - LIC LP MOLDDED BLT
1.180 > (000) 16 WHI - GROUND MOLDDED BLT

1.180 > (001) 16 BRN - LIC LP MOLDDED BLT
1.180 > (000) 16 WHI - GROUND MOLDDED BLT

1.180 > (001) 16 BRN - LIC LP MOLDDED BLT
1.180 > (000) 16 WHI - GROUND MOLDDED BLT

DRAWING NO.	REV	SHT
1-400BB200		1 OF 1
REV.	DESCRIPTION	BY
	RELEASE TO PRODUCTION	

CIRCUIT	DESCRIPTION	END POINTS	FUNCTION
000	16 WHT	A1, B1, B2	GROUND
001	16 BLK	A2, B3, B4	POWER



PROPRIETARY
This drawing and the information contained hereon are the property of Morgan Olson. It is to be used for the production of parts only. It is not to be reproduced, stored in a retrieval system, or transmitted in any form or by any means, electronic, mechanical, photocopying, recording, or by any information storage and retrieval system, without the prior written permission of Morgan Olson.

MORGAN OLSON

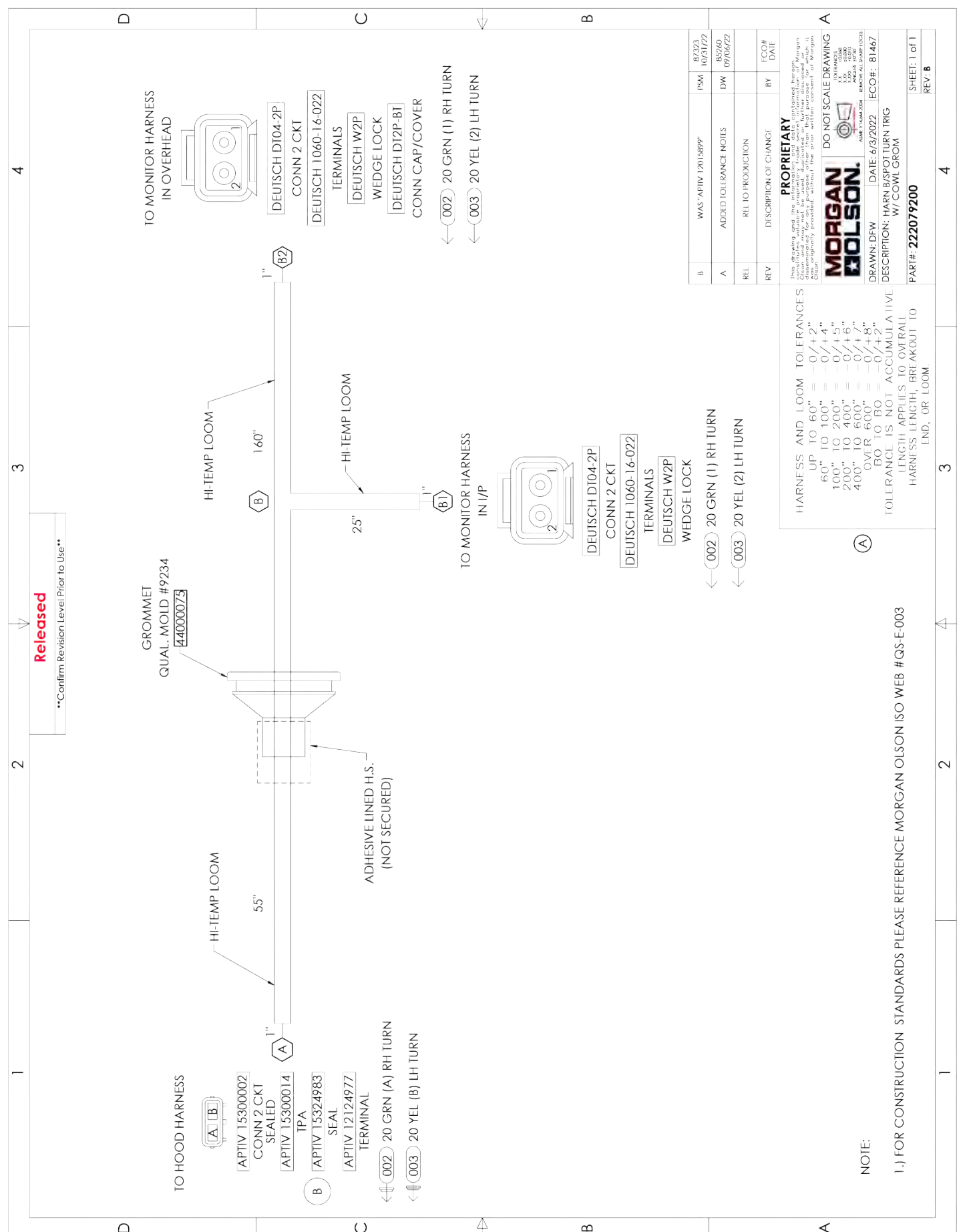
1. TOLERANCE - .0005 UNLESS OTHERWISE SPECIFIED.
2. DIMENSIONS ARE IN INCHES UNLESS OTHERWISE SPECIFIED.
3. ALL DIMENSIONS ARE TO CENTER UNLESS OTHERWISE SPECIFIED.
4. DIMENSIONS TO SURFACE UNLESS OTHERWISE SPECIFIED.
5. DIMENSIONS TO CENTER UNLESS OTHERWISE SPECIFIED.
6. DIMENSIONS TO SURFACE UNLESS OTHERWISE SPECIFIED.
7. DIMENSIONS TO CENTER UNLESS OTHERWISE SPECIFIED.
8. DIMENSIONS TO SURFACE UNLESS OTHERWISE SPECIFIED.
9. DIMENSIONS TO CENTER UNLESS OTHERWISE SPECIFIED.
10. DIMENSIONS TO SURFACE UNLESS OTHERWISE SPECIFIED.

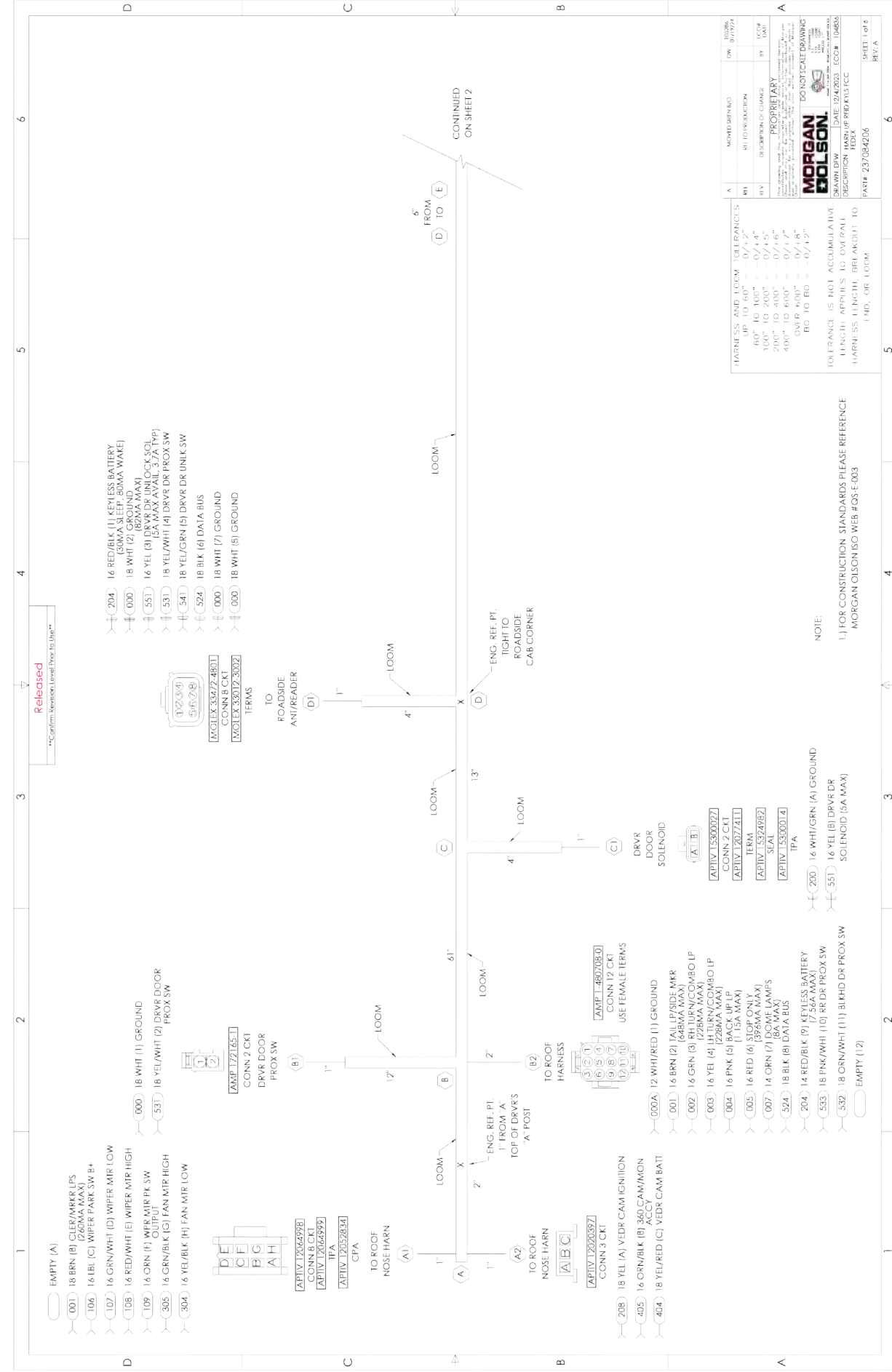
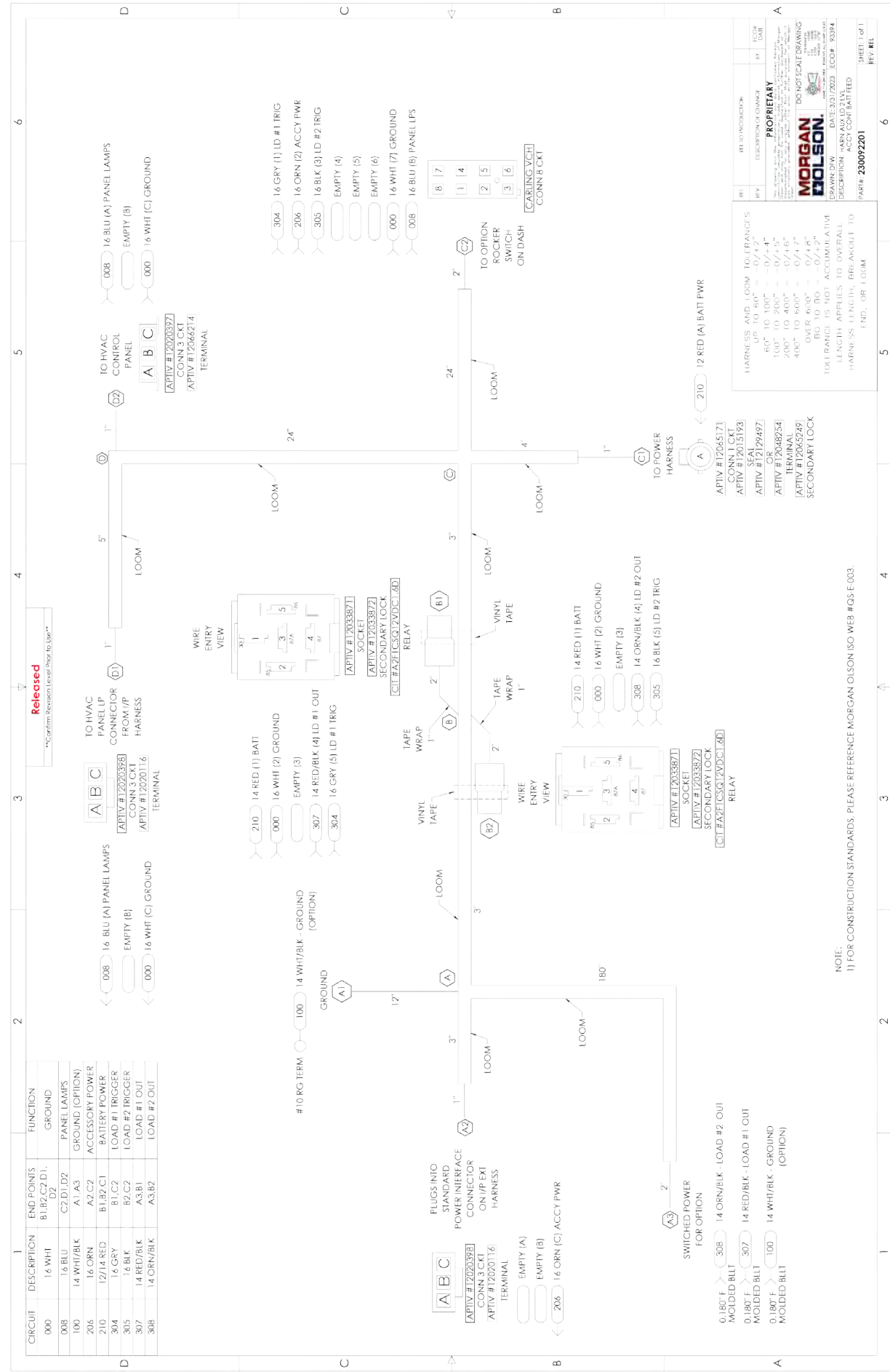
DATE: 17DEC13
DRAWN BY: J. OF J.
SCALE: NONE
REV: 1-400BB200

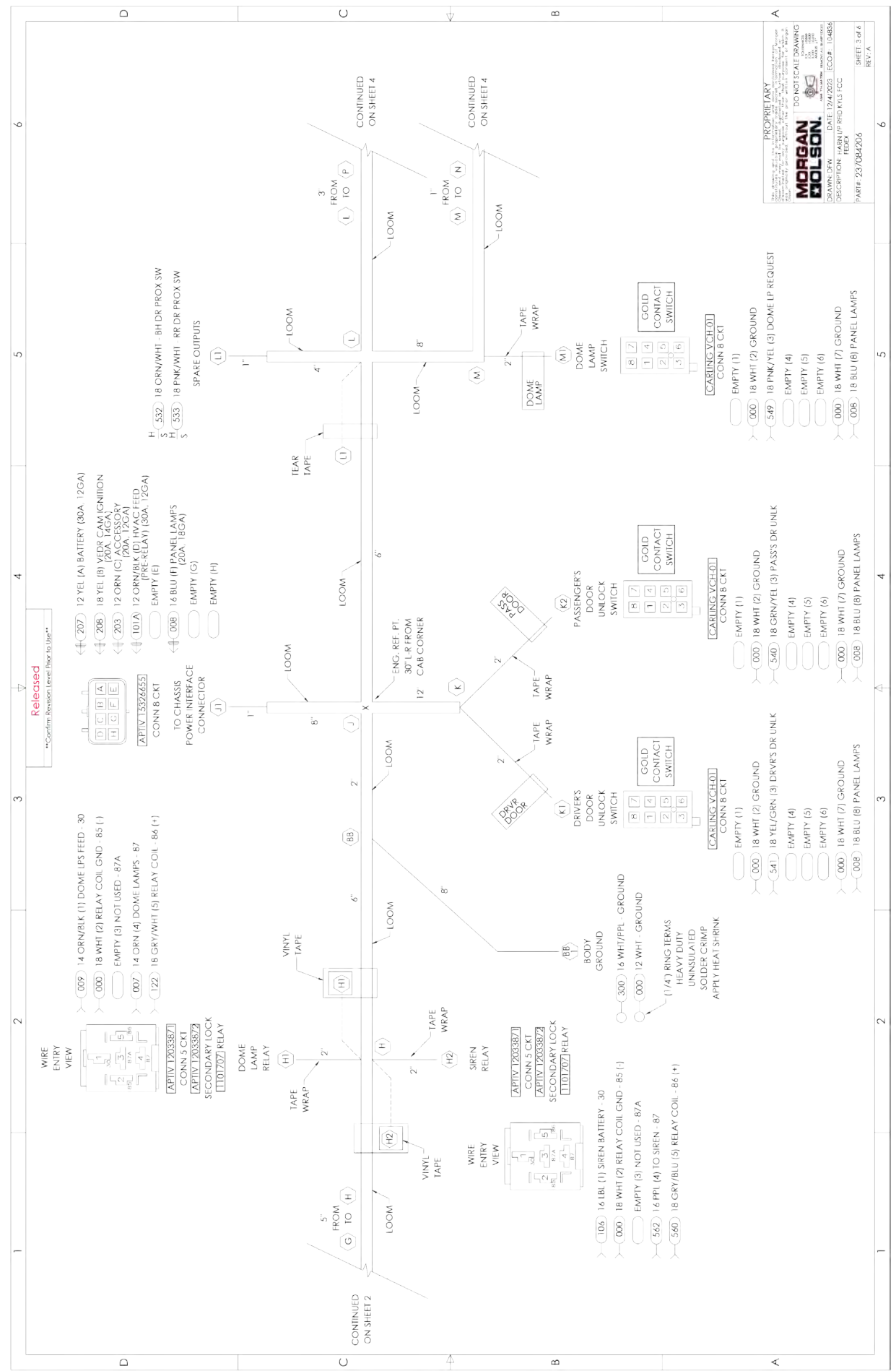
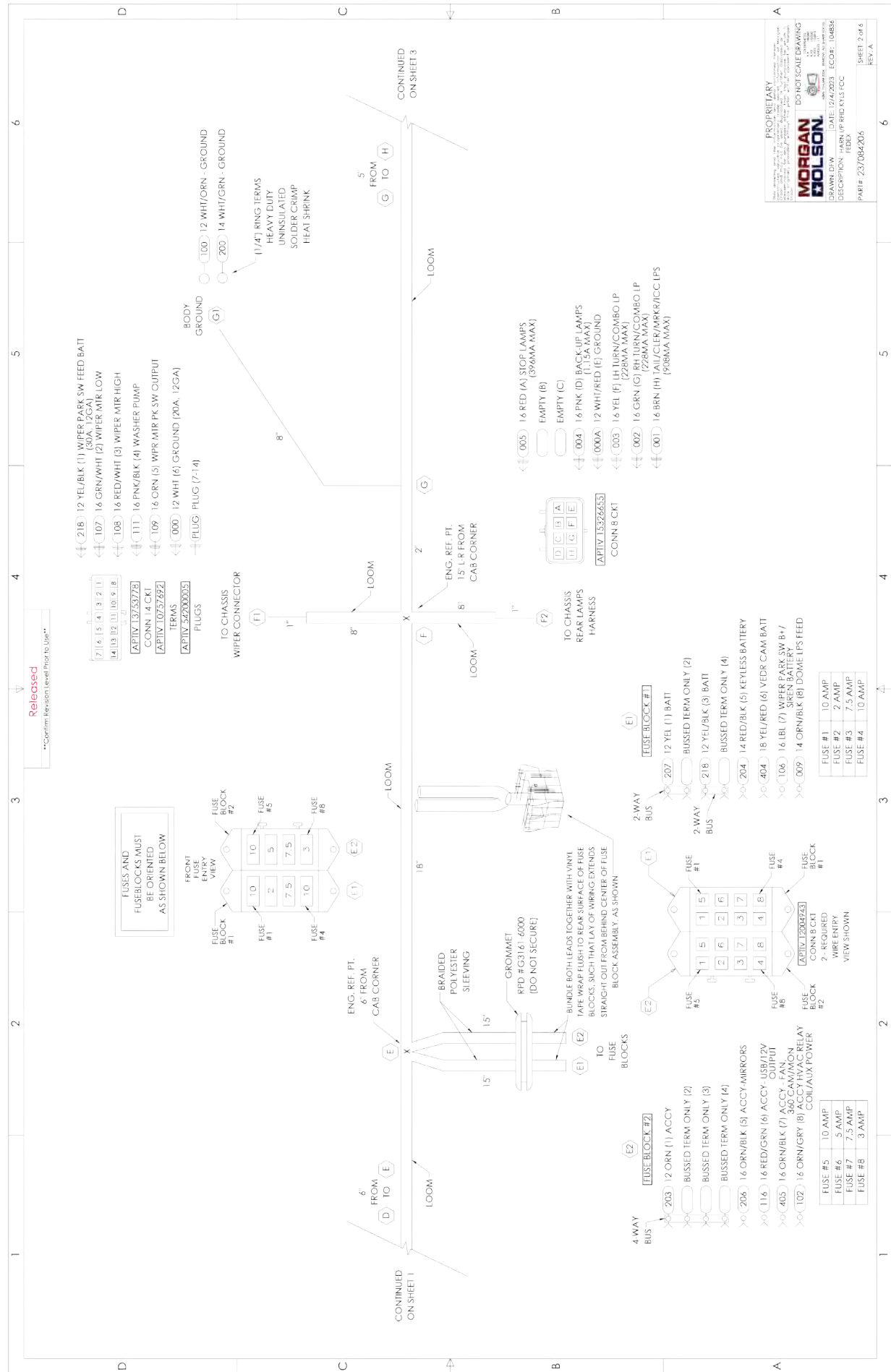
HARNESSES AND LOOM TOLERANCES:
UP TO 60" = -0/+2"
60" TO 100" = -0/+4"
100" TO 200" = -0/+5"
200" TO 400" = -0/+6"
400" TO 600" = -0/+7"
OVER 600" = -0/+8"
BO TO BO = -0/+2"
TOLERANCE IS NOT ACCUMULATIVE OVERALL LENGTH IS NOT ACCUMULATIVE OVERALL HARNESSES LENGTH BREAKOUT TO END, OR LOOM.

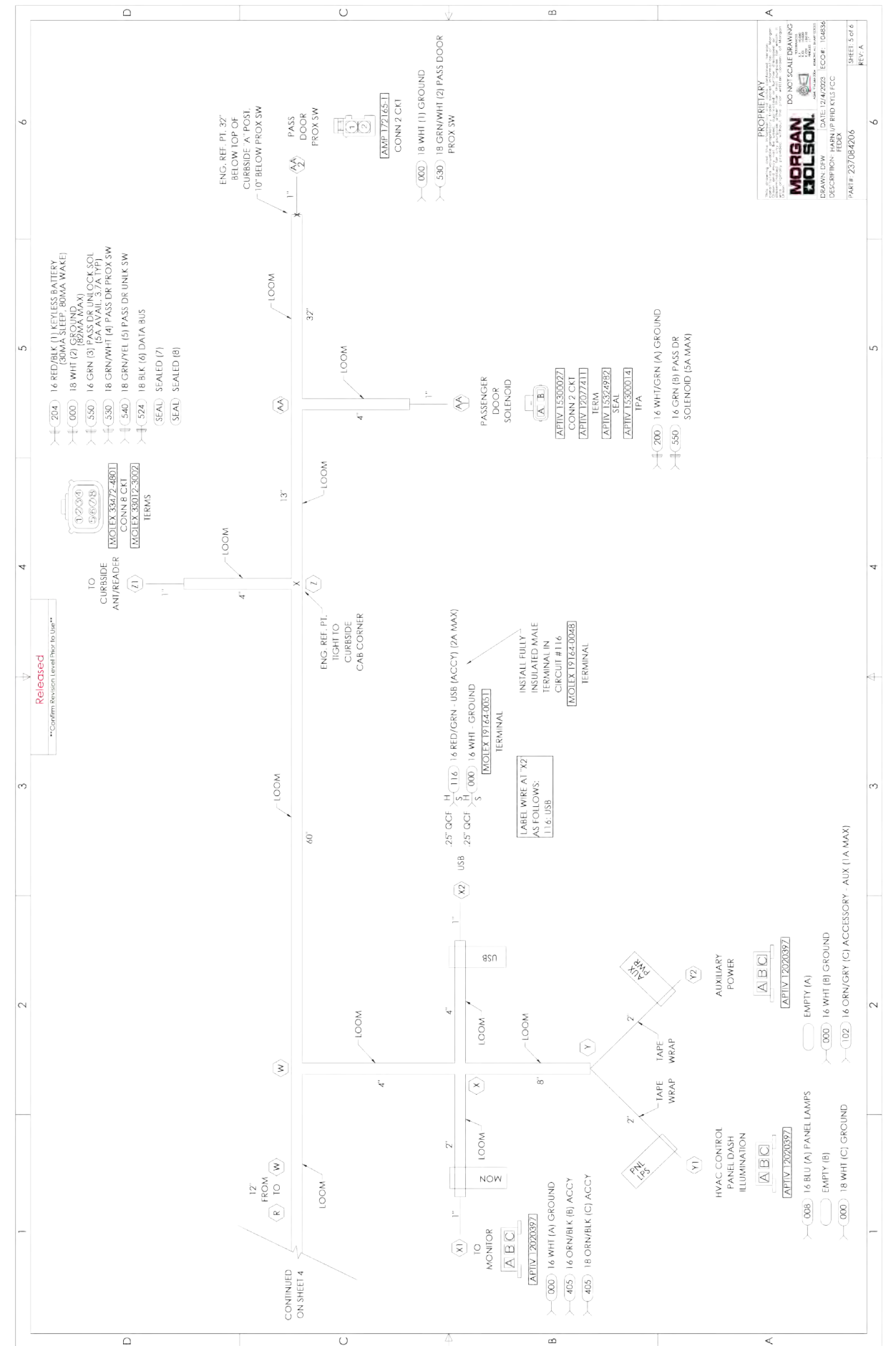
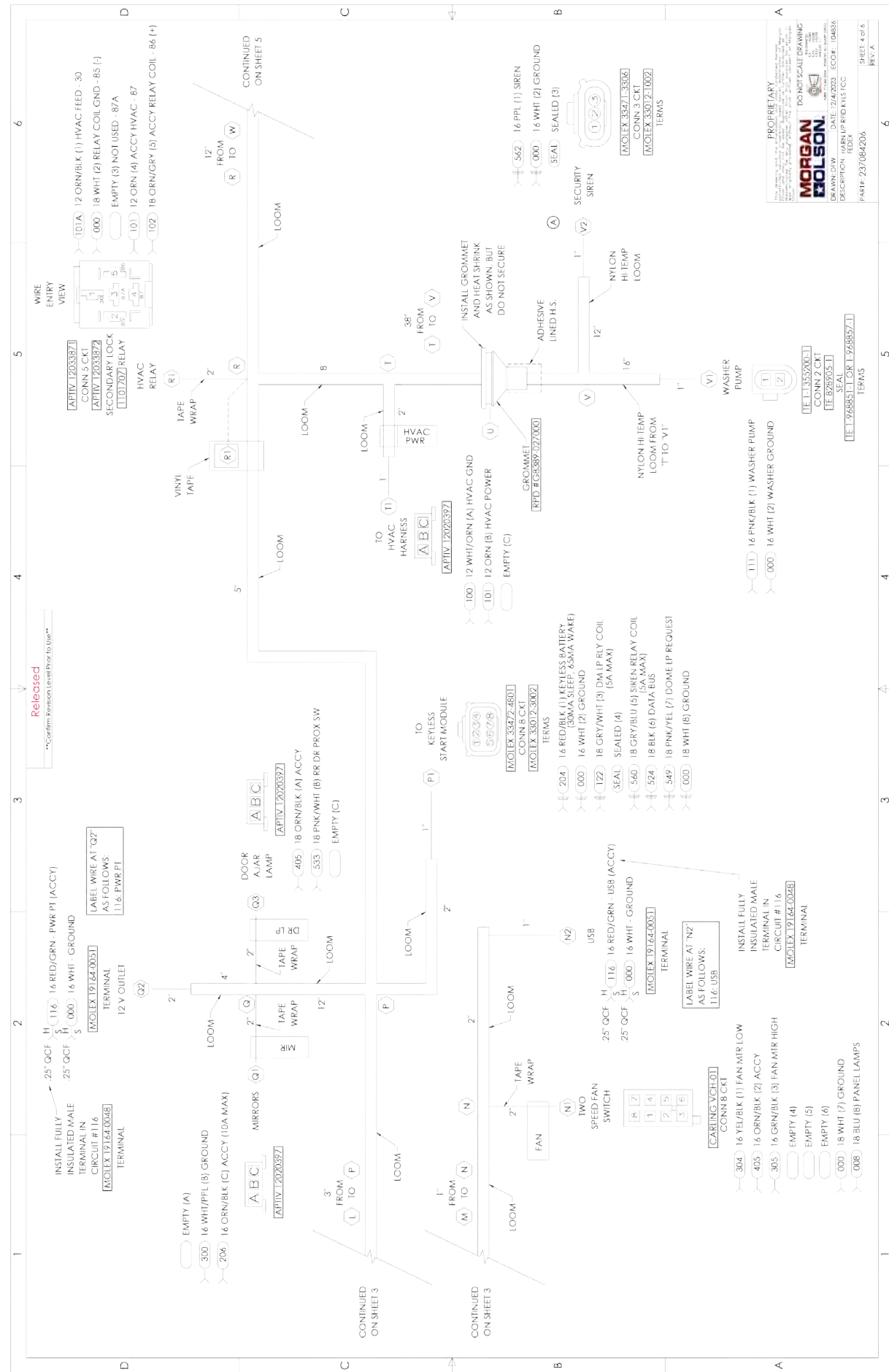
FIRST USE: CURSIVE MARKER

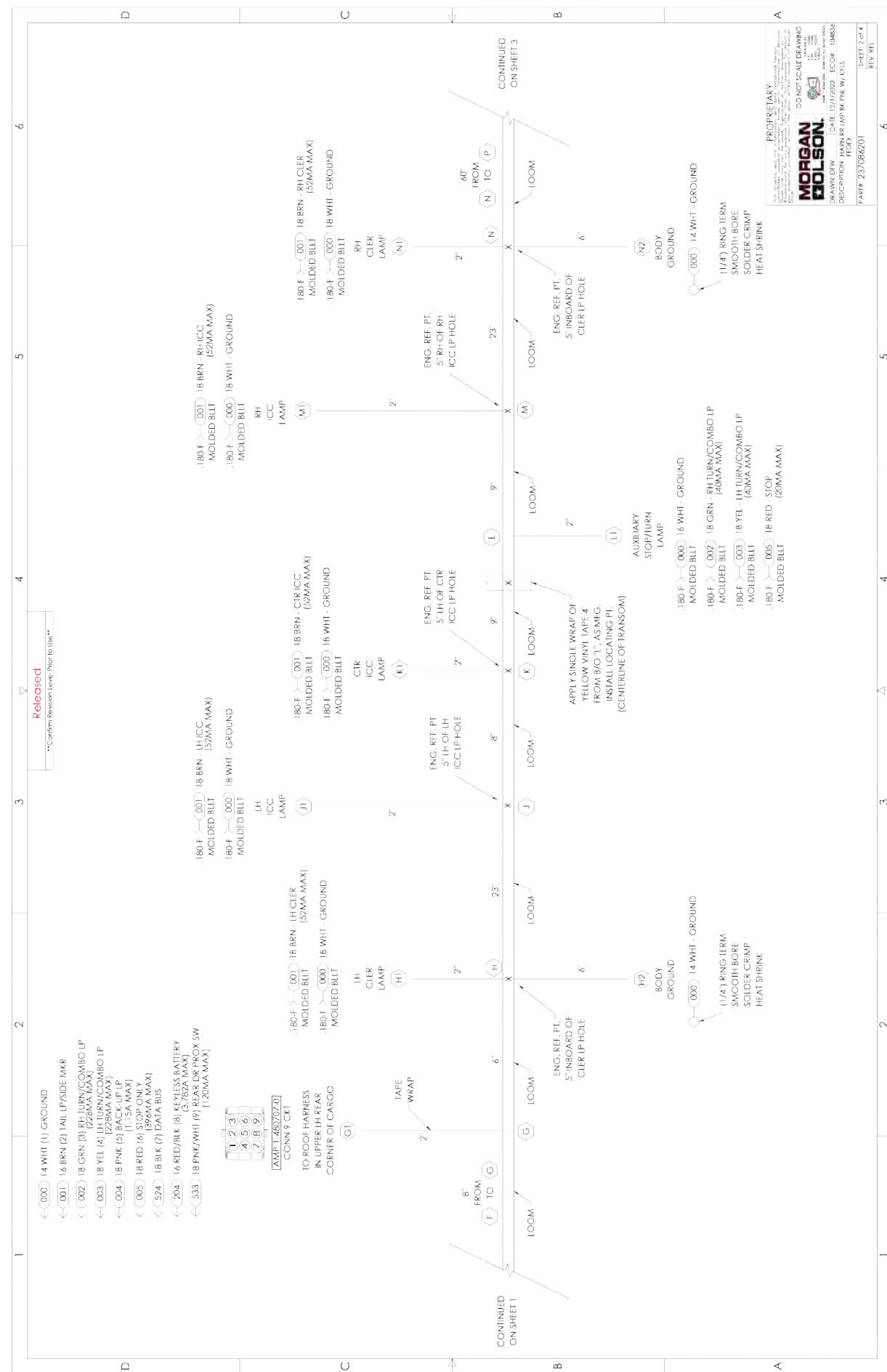
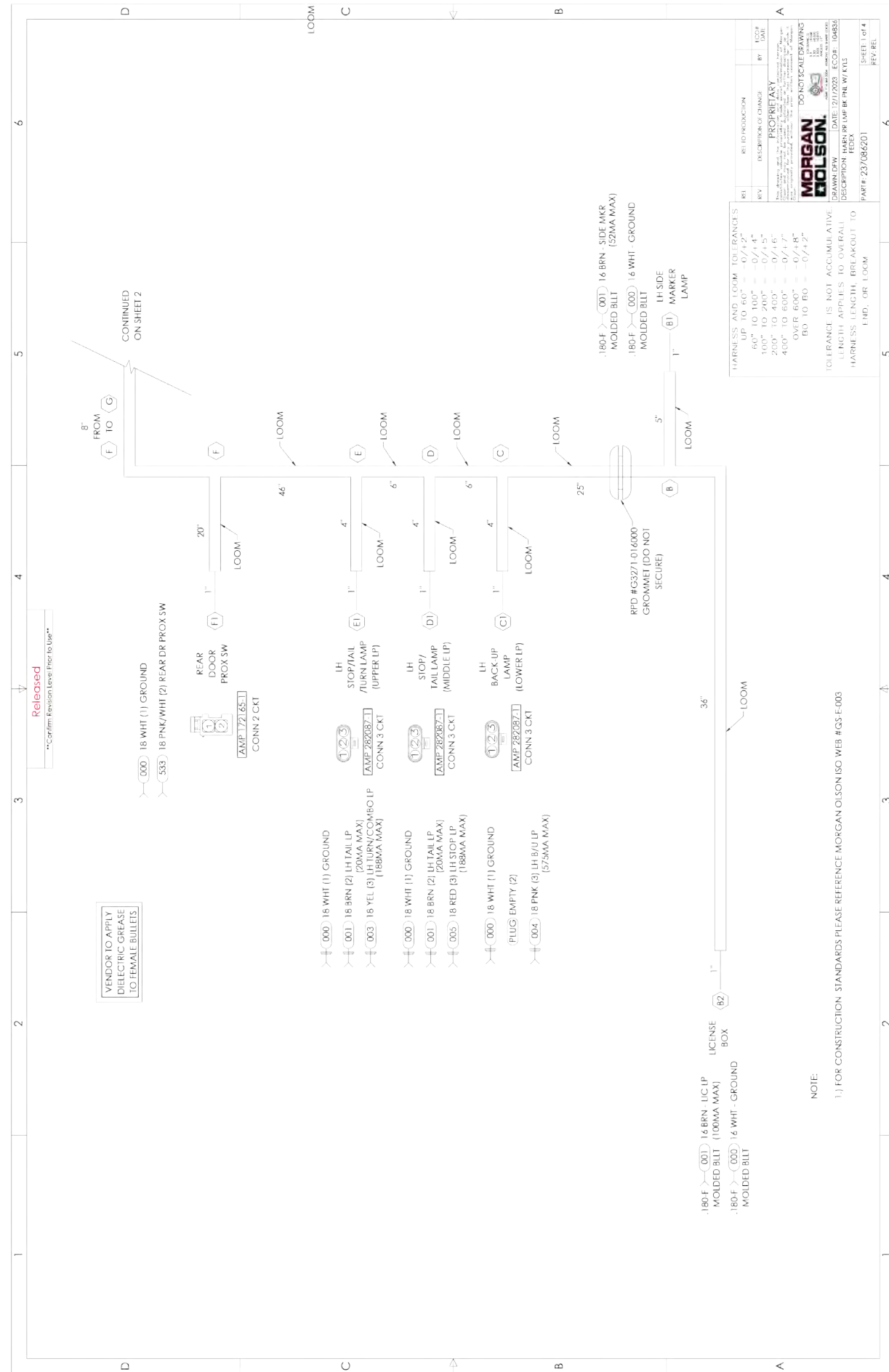
- VENDOR MAY REPLACE PIGTAILS WITH WIRING TO SHOW MOLDINGS OR CONNECTORS TO BE SHOWN IN TERMINAL VIEW.
- HARNESSES TO BE TESTED FOR AND CONTINUITY, SHORTS, AND OPEN CIRCUITS.
- CONNECTORS SHOWN FROM THE ENTRY SIDE, UNLESS OTHERWISE NOTED.
- SPLICES TO BE AUTOMATED WITH HEAT SHRINK TUBING. THE HEAT SHRINK TUBING IS NOT ACCEPTABLE FOR FINAL FABRICATION IF NECESSARY.
- TAPE (1111096): 6" AT BREAKOUTS AND 2" AT LOOM ENDS.
- HARNESSES TO HAVE A LABEL SHOWING MORGAN OLSON PART NUMBER, REVISION LEVEL AND DATE OF MANUFACTURE.
- JACKETED CABLE IS USED.
- JACKETED CABLE AS NOTED.

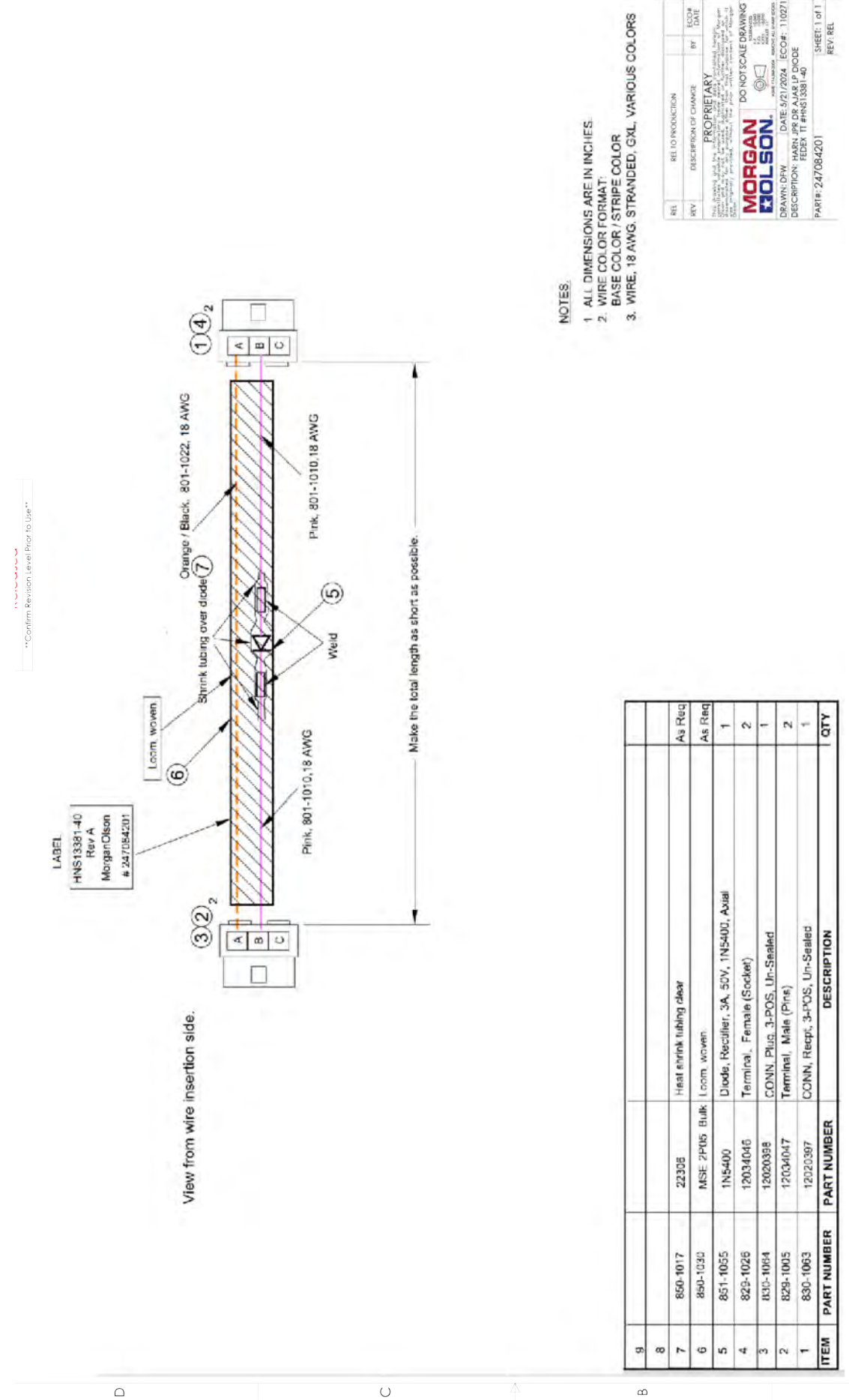
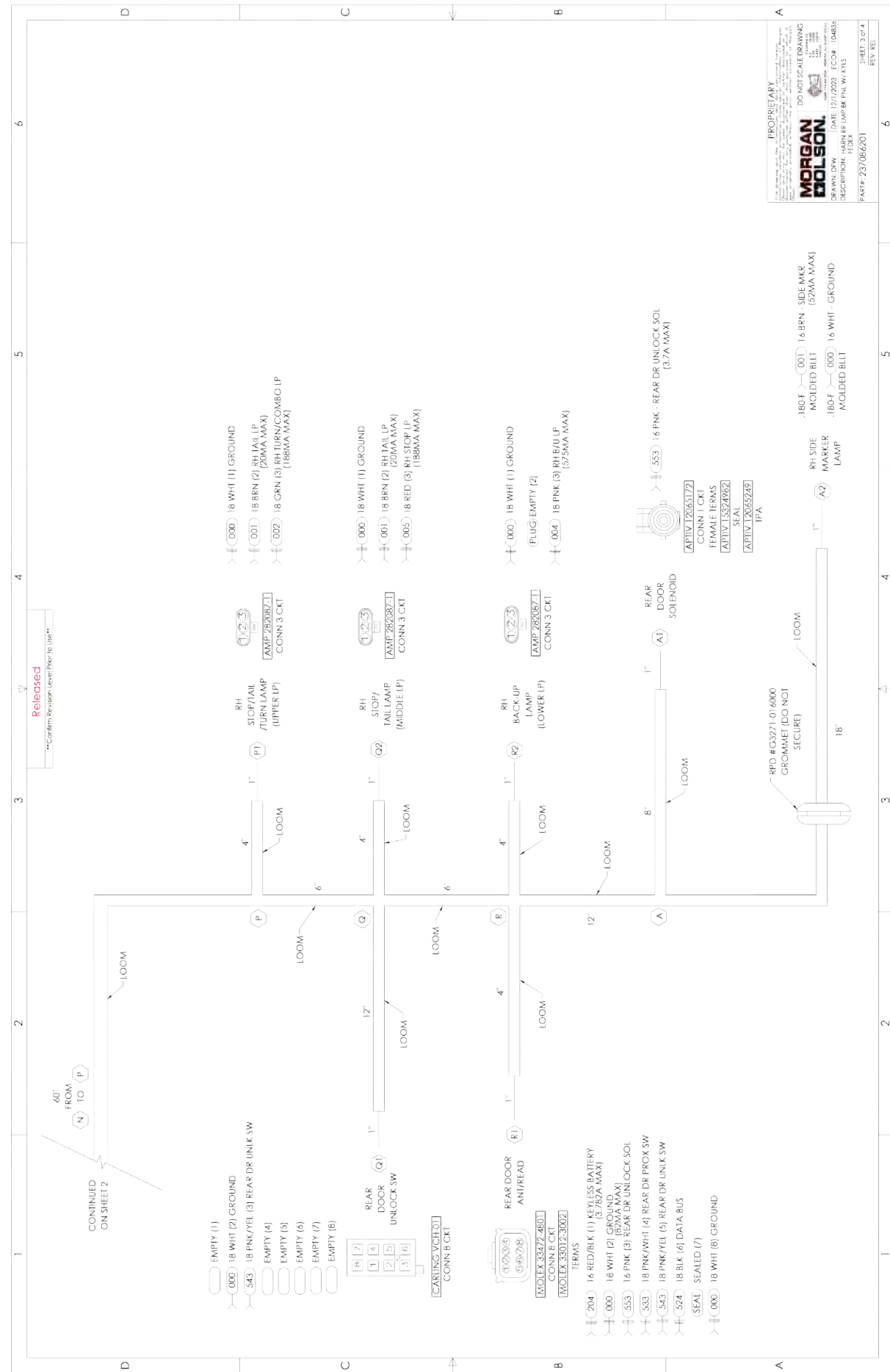












- NOTES:**
1. ALL DIMENSIONS ARE IN INCHES.
 2. WIRE COLOR/FORMAT.
 3. WIRE: 18 AWG, STRANDED, GXL, VARIOUS COLORS

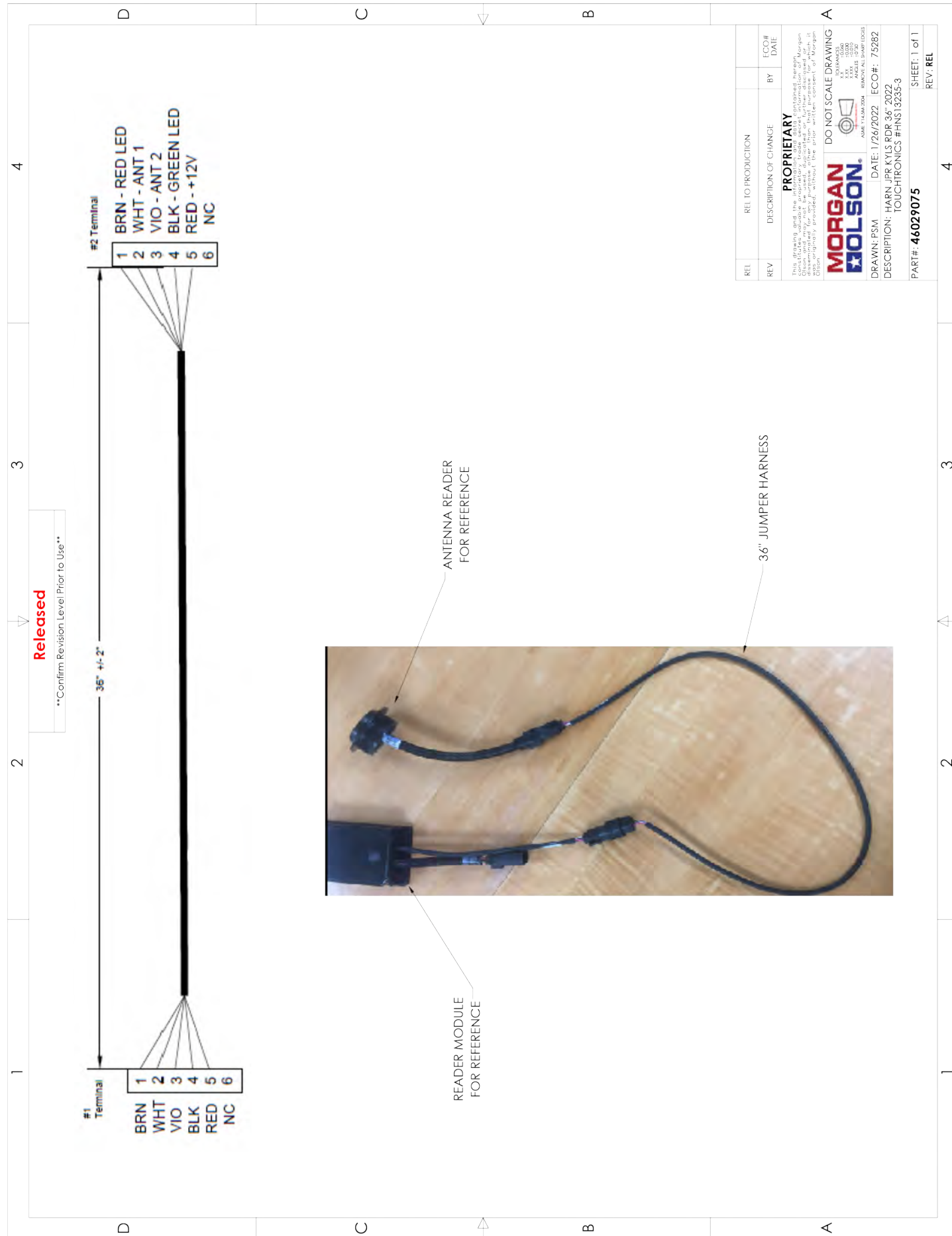
REV	REL TO PRODUCTION	DESCRIPTION OF CHANGE	BY	ECOM	DATE
1		PROPRIETARY			

MORGAN OLSON
DO NOT SCALE DRAWING

Drawn: DPW Date: 5/21/2024 ECOM: 11/02/21
Description: REAR DR UNLK SW
Part#: 247084201

SHEET 1 OF 1
REV. REL.

ITEM	PART NUMBER	DESCRIPTION	QTY
8			
8	860-1017	Heat shrink tubing clear	As Req
7	860-1030	Heat shrink tubing clear	As Req
6	MSSE-2P105	Loom woven	1
5	851-1035	Diode, Rectifier, 3A, 50V, TNS400, Axial	2
4	825-1026	Terminal, Female (Socket)	1
3	830-1004	CONN, Plug, 3-POS, Un-Sealed	2
2	829-1005	Terminal, Male (Pins)	1
1	830-1003	CONN, Recept, 3-POS, Un-Sealed	1



CAMERA TO MONITOR CABLES

ITEM #	PART #	DESCRIPTION	QTY	UNIT
	48200011	CABLE CAMERA X4'	1	EA
	48200092	CABLE CAMERA X34'	1	EA
	48200137	CABLE CAMERA X15'	1	EA
	48200183	CABLE CAMERA X3'	1	EA
	48200204	CABLE CAMERA X10'	1	EA



18-8 Stainless	Length											
	Diameter	Fig.	.5	.625	.75	.875	1"	1-1/4"	1-1/2"	2-1/4"	3"	
PHILLIPS TRUSS M/S 18-8 SS	8 - 32	1		1117716								
PHILLIPS TRUSS M/S 18-8 SS	10 - 24	1	1117800	1117814	40300498		40300451	1117835				
PHILLIPS TRUSS M/S 18-8 SS	1/4 - 20	1			1117784			40300453	40300454			
PHILLIPS TRUSS M/S 18-8 SS	5/16 - 18	1			1117928							
PHILLIPS FLAT M/S 18-8 SS	10 - 32	2					1117830					
PHILLIPS FLAT M/S 18-8 SS	1/4 - 20	2			40300809		1117782			40300630	40300631	
PHILLIPS ROUND M/S 18-8 SS	10 - 24	6			1117209							
6 LOBE PAN T/C M/S 18-8 SS	1/4 - 20	9					1117815					
Standard Steel RoHS												
PHILLIPS ROUND M/S ZC/ROHS	8 - 32	6						1117839				
PHILLIPS PAN TEKS/3 ZC/ROHS	10 - 16	5			1117674							1117793
PHILLIPS TRUSS M/S ZC/ROHS	10 - 24	1					1117688					
PHILLIPS TRUSS M/S ZC/ROHS	10 - 32	1	1117723					1117715				
T/C - Thread Cutting												
PHIL PAN T/S TYPE A ZC	10	8						1117680				
PHIL TRUSS T/S TYPE A BLK	10	4					40300101					
PHIL PAN T/S TYPE A BLK	10	7					40300503					
PHIL PAN T/S TYPE A ZC	12	8			1117666							
6 LOBE PAN T/C	1/4 - 20	9			1117668		40300922		1117684		40300042	

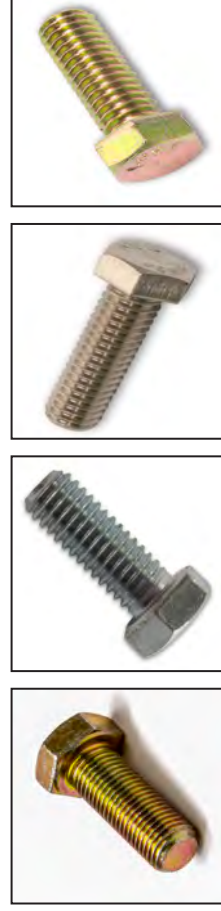


T/C Thread Cutting 6 Lobe Type A

Genuine OEM Parts

1.800.233.4823

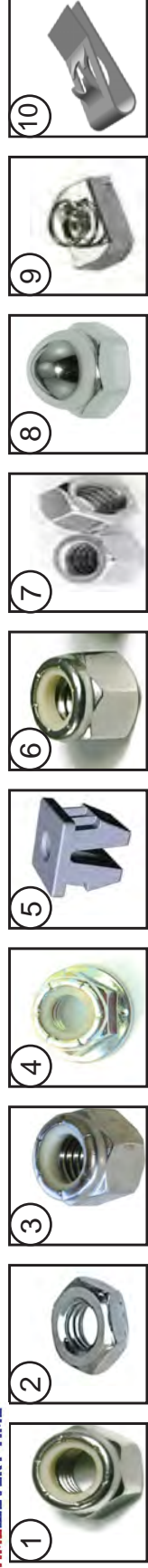
www.morganolsonparts.com



Size	Description	Thread	Lengths													
			.62	3/4"	1"	1-1/4"	1-1/2"	1-3/4"	2"	2-1/2"	3"	3-1/4"	4"			
1/4" Hex Cap Screw	GR5 ZC/RO	20						1117009								
1/4" Hex Cap Screw	GR5 ZC/RoHS	20			1101688							1117818				
1/4" Hex Cap Screw	18-8 Stainless	20		1117816		1117010										
1/4" Hex Cap Screw	ASTM F593C	20			1117819											
5/16" Hex Cap Screw	18-8 Stainless	18			1117045	1117804										
5/16" Hex Cap Screw	GR8 ZC/Y	18			1117803			1117059							40300737	
5/16" Hex Cap Screw	ASTM F593	18														
5/16" Hex Cap Screw	GR5 ZC/R	16				1117837										
3/8" Hex Cap Screw	GR8 ZC/Y	18			1117843	1117049		1117055								
3/8" Hex Cap Screw	GR8 ZC/Y	16														
3/8" Hex Cap Screw	GR5 ZC/RO	16			47012646				1117097	051166	1117000	1117040	05125	1117040	05128	
3/8" Hex Cap Screw	GR5 ZC/RoHS	16	40300056	40300054					1117805	1117052						
3/8" Hex Cap Screw	ASTM F593C	16							1217000							
7/16" Hex Cap Screw	GR8 ZC/Y	20														
1/2" Hex Cap Screw	GR5 ZC/RoHS	13														
1/2" Hex Cap Screw	GR5 ZC/RO	13				1117121						1117050	1117051	1117051	1117035	
1/2" Hex Cap Screw	GR5 ZC/RoHS	13							1117043	1117124	1117051					
1/2" Hex Cap Screw	GR5 ZC	13						1117036	051461							
5/8" Hex Cap Screw	GR5	11												40300259		

	Grade 8 Medium Carbon Alloy Steel
	Grade 5 Medium Carbon Steel
	Grade 2 Low or Medium Carbon Steel

ZC	Zinc Coated
ZP	Zinc Plated
Y	Yellow
GR	Grade
RoHS	AS9100C ISO 9001:2008
ASTM F593C	American Standards Measurements Specifications



ZP - ZINC PLATED

Standard	Thread	FIG.	DIA.									
			#8	#10	1/4"	5/16	3/8"	.44	1/2"			
NYLON LOCKING NUT, HEX	32	1		052266								
NUT "U" SPRING .115 TO .125 PANEL	10-24	10		40301303								
NYLON LOCKING NUT, HEX ZP	24	3		1117307								
NYLON LOCKING NUT, HEX ZP	20	3			1117310							
NYLON LOCKING NUT, HEX ZP	18	3				1117838						
NYLON LOCKING NUT, HEX ZP	16	3					1117344					
LOCKING NUT HEX FLANGE .44-20 OVAL	20	4						1217003				
NUTSERT EXPANDING NYL .275 SQ	20	5		40900006								
NUT NON LOCKING	24	2		1117303								
NUT NON LOCKING	20	2			1117312							
NUT NON LOCKING	16	2					1117316					
GRADE 5												
NUT STL LK LRG FLG GD5 .31-18	18	4						40100560				
NUT STL HEX LK B ZP .5-13 GR 5	13	1									1117283	
18-8 Stainless												
NUT SS LOCKING	32	3		1117347								
NUT SS LOCKING	24	6		1103354								
NUT SS LOCKING	20	6			1117336							
NUT SS NON LOCKING	20	7			40100044							
NUT SS ACORN LOW CROWN	20	8			40100061							
Speciality												
CHANNEL NUT WITH SPRING 1/4-20	20	9						47009988				
CHANNEL NUT WITH SPRING 3/8-16	16	9							47001001			

Genuine OEM Parts

1.800.233.4823

www.morganolsonparts.com



MAGNA LOCK	Diameter	Fig.	Length													
			.25	.312	.375	.438	.44	.5	.562	.625	.687	.75	.875	1"		
HUCK R6-4	.188	1		1117084	1117061											
HUCK R8-6	.25	2		1117087												
PROTRUDING HEAD	.25	3			40200304			40200634				40200303				
FLUSH HEAD B6-4	.25	4							40200630							
RIV AL BRAIZER HEAD	.125	5		1117402	1117404	1117405			1117406							
RIV AL BRAIZER HEAD	.188	5		1117351	1117353	1117355			1117357	1117359	1117361	1117363	1117365	1117368		
RIV AL BRAIZER HEAD	.25	5							1117380	1117385	1117382	1117386	1117388	1117395		
RIV AL BRAIZER HEAD MOD	.25	5			40200213			40200214	1117409	1117410		1117408		1117390		
RIV AL FLAT HEAD	.125	7				85780100										
RIV AL FLAT HEAD	.188	7			1117434	1117436			1117438		1117440	1117442				
RIV AL FLAT HEAD	.25	7														
RIV AL POP	.125	10		1117464												
RIV AL POP #10	.406	10		1117456												
RIV AL POP AD 66 BS		10			1117457											
RIV AL POP AD 68 BS									1117458							
RIV AL POP AD 610 BS										1117459						
POP AL OPEN END BLIND	.125	6			1117421											
POP AL OPEN END BLIND	.188	6		1117456								1117459				
POP CLSD BLACK		8										40200631				
SNAP FASTENER		9														
BULB TYPE BLIND w/WASHER	.188	10			40200621											

Genuine OEM Parts

1.800.233.4823

www.morganolsonparts.com



Standard	I/D	FIG.	3/8	1/2	9/16	5/8	3/4"	7/8	1"	1-1/4"	1-3/4"
#10 TYPE B FLAT WASHER ZINC/ROHS	.190	1			1117929						
#10 X 1 FENDER WASHER ZC	.190	2							1117950		
#10 EXTERNAL TOOTH LW ZC	.190	3	1117971								
1/4 EXTERNAL TOOTH LW ZC	1/4	3		1117975							
1/4 TYPE B NARROW FLAT WASHER	1/4	4			1117941						
1/4 USS FLAT WASHER ZC/ROHS	1/4	1					1117953			40300918	
1/4 F436 (A325) FLAT WASHER ZC/ROHS	1/4	1				40000047					
FLAT WASHER .060 THICK ZC/RO	1/4	1							1117952		
1/4 USS FLAT WASHER	1/4	1		1117885							
5/16 SPLIT LOCK WASHER ZC/ROHS	5/16	5	1117965								
5/16 USS FLAT WASHER ZC/ROHS	5/16	1						1117955			
3/8 USS FLAT WASHER ZC/ROHS	3/8	1						1117957			
3/8 X 1 FLAT WASHER 1/4 THK NYLON	3/8	6							40000038		
1/2 TYPE B REGULAR FLAT WASHER	1/2	1								40000050	
1/2 TYPE B REGULAR FLAT WASHER ZC	1/2	1								1117945	
1/2 TYPE B WIDE FLAT WASHER ZC/ROHS	1/2	1									1117959
Grade 8											
1/4 FLAT WASHER GR 8 ZC/Y	1/4	7					85761003				
5/16 FLAT WASHER GR 8 ZC/Y	5/16	7						1117937			
3/8 FLAT WASHER GR 8 ZC/Y	3/8	7					40000046		1117947		
7/16 FLAT WASHER GR 8 ZC/Y	7/16	7								1217002	
1/2 FLAT WASHER GR 8 ZC/Y	1/2	7							1117943	1217002	
Stainless 18-8											
#10 X 5/8 BONDED SEALER 18-8 SS	.190	8		85761250		40000053					
1/4 X 5/8 BONDED SEALER 18-8 SS	1/4	8				40000051					
3/8 X 3/4 BONDED SEALER 18-8 SS	3/8	8					40000054				
3/8 X 1" BONDED SEALER 18-8 SS	3/8	8							40000055		
1/4 EXTERNAL TOOTH SS LW ZC	1/4	3		40000510							
Speciality											
WASHER NYLON .13 X .62 ID X 1.38OD	5/8	9									137147429