

**MORGAN**  
**★ OLSON**

# ROUTE STAR®



## W1000

### SERVICE PARTS CATALOG



**800.233.4823**

[www.morganolsonparts.com](http://www.morganolsonparts.com)

# Parts Catalog for FedEx Express W1000

JV004577

## How to order parts from Morgan Olson.

The first step is to locate the part numbers you would like to order.

### Method 1 (Recommended)

Go to our parts web site, [WWW.MORGANOLSONPARTS.COM](http://WWW.MORGANOLSONPARTS.COM) and search your vehicle VIN number to

get a list of parts generated directly from your vehicles Bill of Material.

You can filter the list of items further by selecting the category for the location of the parts. IE. Bumper, Hood, Glass, Rear Door, etc.

You may change the search drop down menu to search by part number, description, unit number or VMRS number.

### Method 2

Use this parts catalog to identify your part numbers.

Then go to [WWW.MORGANOLSONPARTS.COM](http://WWW.MORGANOLSONPARTS.COM) and search by part number to add the items to your shopping cart.

### Method 3

Call our Parts Department at 1-800-233-4823.

Please have your VIN number available and one of our customer service representatives will be able to help you identify the parts you need.

\*If you already know the part numbers of the items you want to order, use our Quick Order page to enter your part numbers and quantities, then click add to cart. [HTTPS://WWW.MORGANOLSONPARTS.COM/QUICK-ORDER](https://WWW.MORGANOLSONPARTS.COM/QUICK-ORDER)

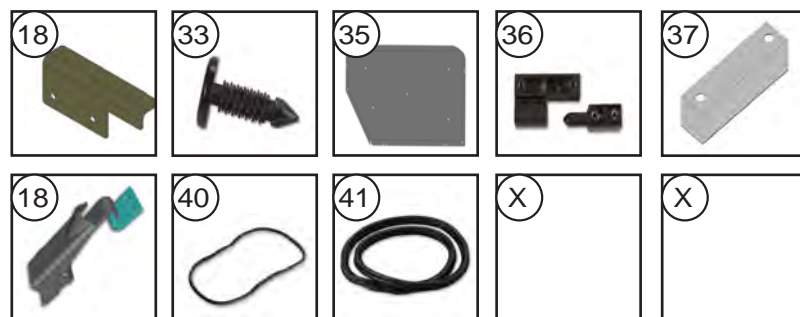
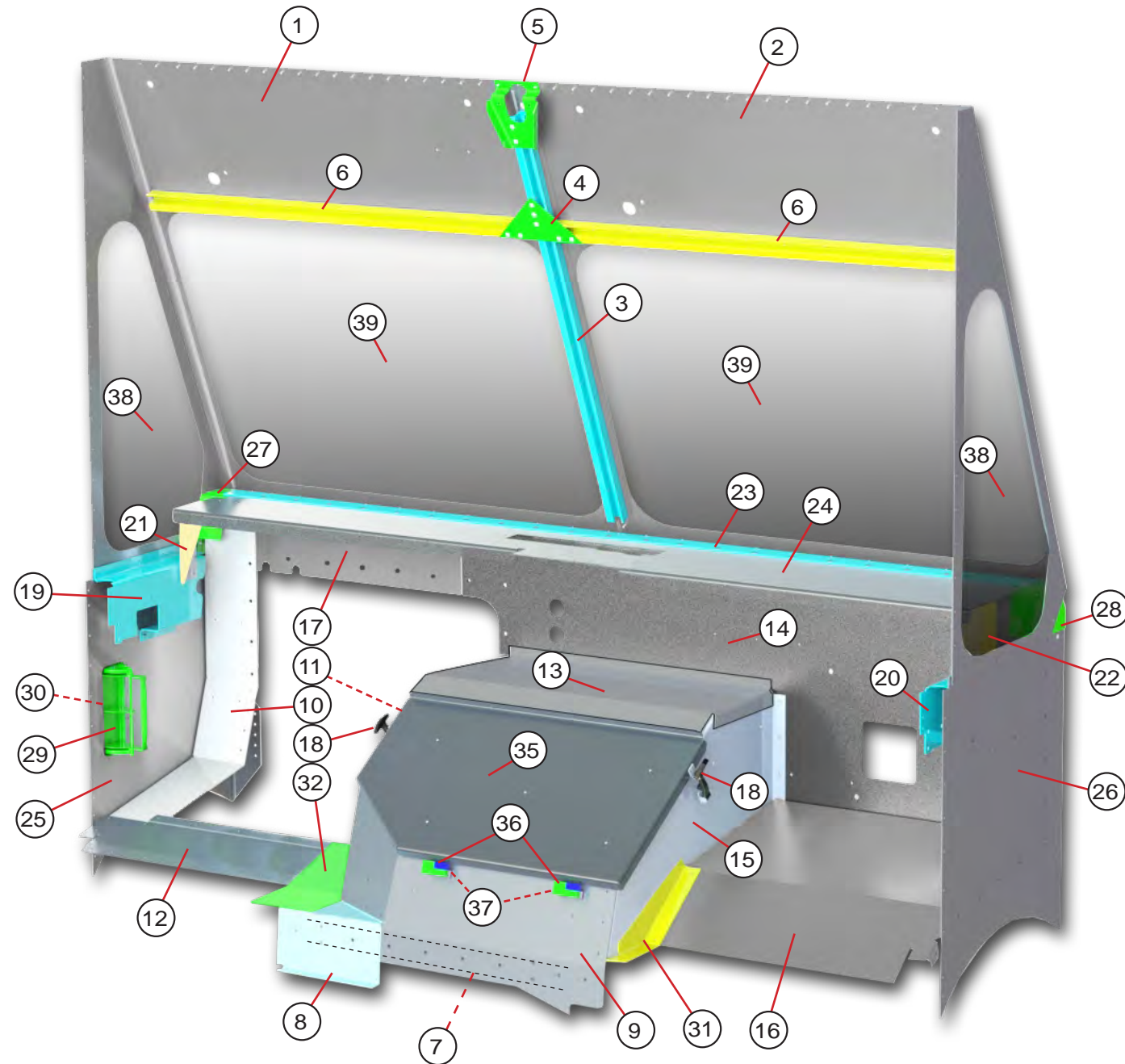
Note\* Orientation is always from the rear of the vehicle looking forward.

Roadside = Left Hand LH

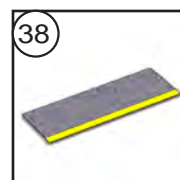
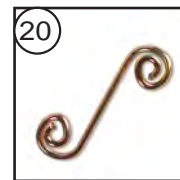
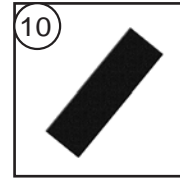
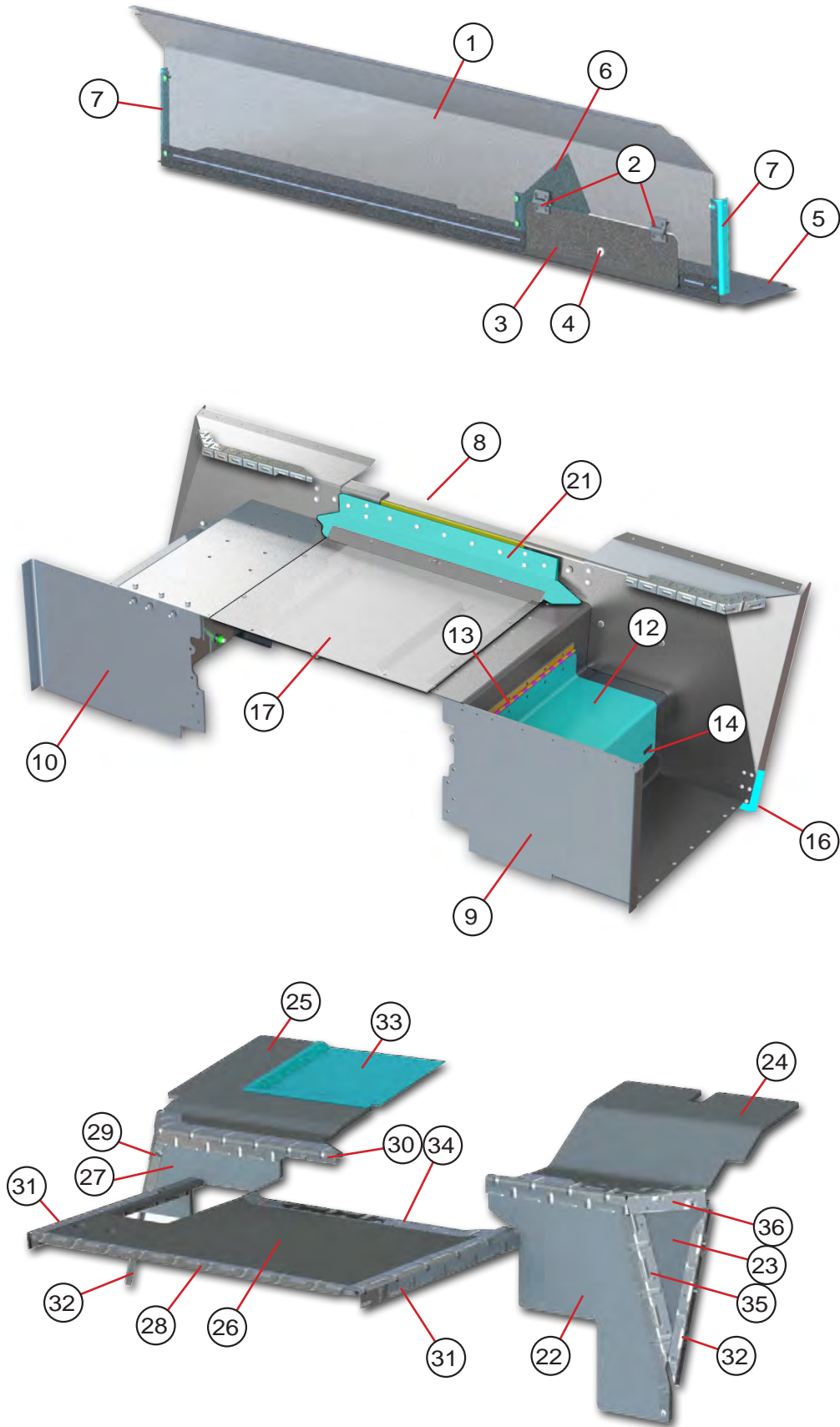
Curbside = Right Hand RH

For warranty information, please call 1-800-262-3437

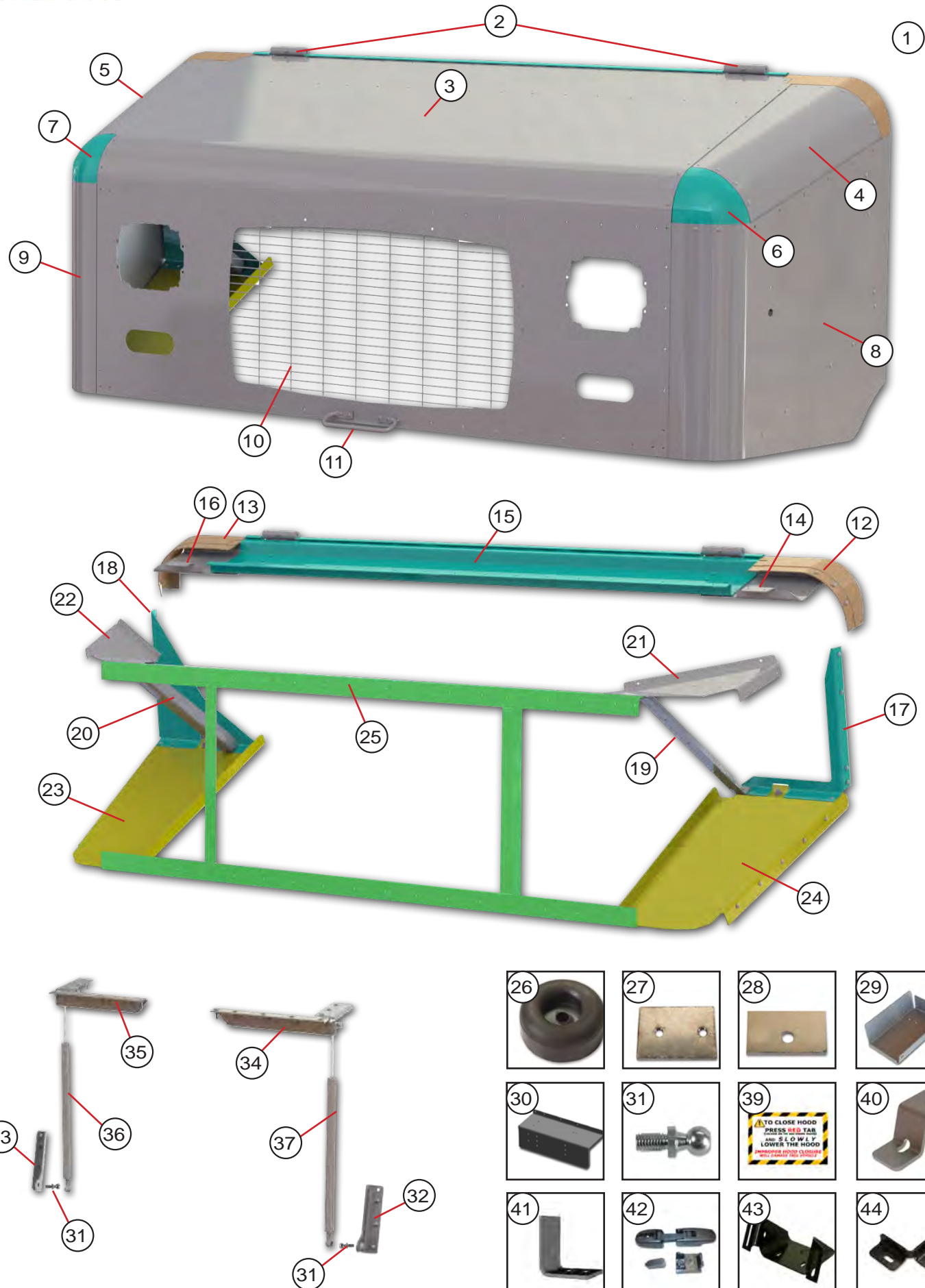
INTRODUCTION	2
TABLE OF CONTENTS	3
CAB & FRONT FRAME	4-5
WIPER COVER & STEP ASSEMBLIES	6-7
HOOD	8-9
INSTRUMENT PANEL & SEATS	10-11
HEATER	12-13
FLOOR	14
ROOF	15
SIDES	16-17
BULKHEAD	18
BACK	19
SIDE DOORS	20-21
SIDE DOOR POCKETS	22-23
REAR DOOR P/N 47005964	24-27
SHELVES	28
BUMPERS	29
MIRRORS AND WIPER ASSEMBLY	20-31
ELECTRICAL	32-33
ACCESSORIES / MISCELLANEOUS	34-36
KEYLESS SYSTEMS	37
WIRING HARNESS	38
WIRING DIAGRAMS	39-60
APPLICATION - VIN #s and VEHICLE ASSET #s	61
COMMON FASTENERS FOR WALK-IN VANS	63-67



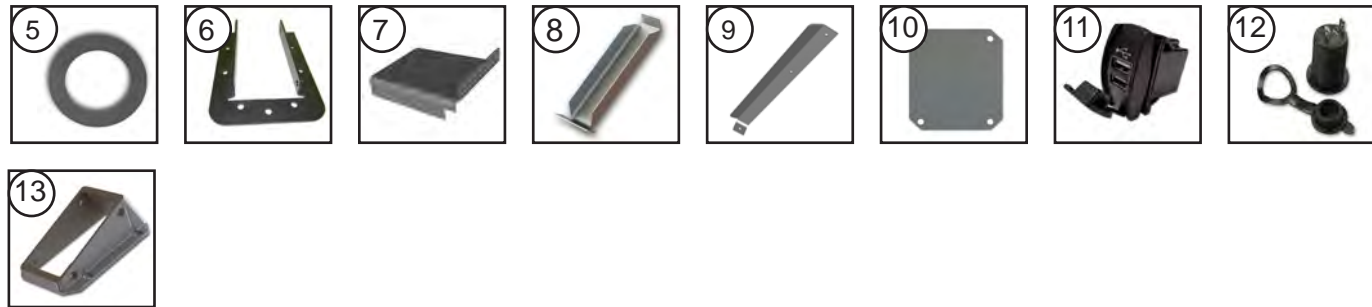
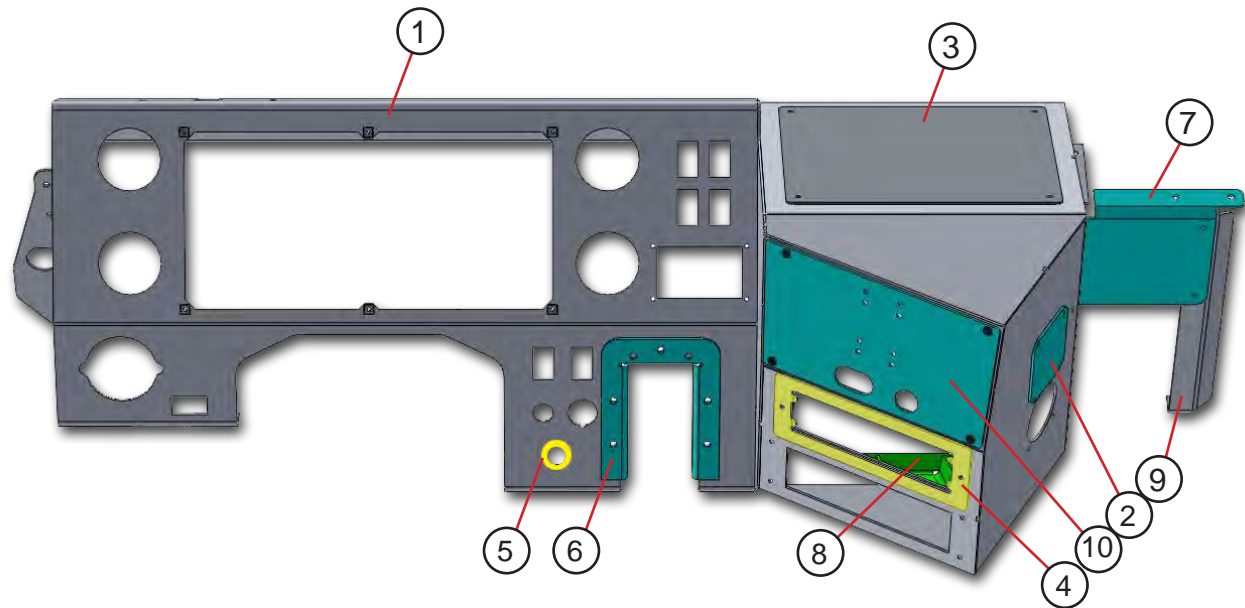
ITEM #	PART #	DESCRIPTION	QTY.	UNIT
1	<a href="#">247055400</a>	FRAME W/S AL .102X53.45X67.53 LH	1	EA
2	<a href="#">247055401</a>	FRAME W/S AL .102X53.45X67.76 RH	1	EA
3	<a href="#">077055401</a>	POST W/S CENTER AL 450540X44	1	EA
4	<a href="#">077055402</a>	GUSSET FRAME W/S AL .125X6.49X7.27	1	EA
5	<a href="#">998555329</a>	GUSSET FRAME W/S AL .125X4.6X9.19	1	EA
6	<a href="#">077055405</a>	STIFFENER WINDSHIELD AL 450540X41.75	2	EA
7	<a href="#">077050402</a>	SHIM AL .25X1.63X20.8	1	EA
8	<a href="#">187005416</a>	FILLER SADDLE AL .125X11X14.98	1	EA
9	<a href="#">190005400</a>	ENGINE BOX SADDLE AL .125X20.41X33.26	1	EA
10	<a href="#">187005411</a>	TOEBOARD DASH AL .125X4.6X44.49 LH	1	EA
11	<a href="#">190005401</a>	ENGINE BOX SIDE AL .102X19.64X30.51 LH	1	EA
12	<a href="#">187005410</a>	TOEBOARD AL .125X8.48X30.09 LH	1	EA
13	<a href="#">190005402</a>	ENGINE BOX TOP AL .125X15.86X33.58	1	EA
14	<a href="#">217005444</a>	DASH WALL AL .125X25.89X61.35	1	EA
15	<a href="#">190005403</a>	ENGINE BOX HOUSING AL .102X22.53X32.55 RH	1	EA
16	<a href="#">117005408</a>	DASH PANEL AL .102X26.96X27.83 RH	1	EA
17	<a href="#">217005404</a>	DASH WALL AL .125X8.73X27.29	1	EA
18	<a href="#">47000932</a>	DRAW LATCH ENGINE BOX	2	EA
19	<a href="#">227005405</a>	STIFFENER WINDSHIELD AL .125X13.24X17.69 LH	1	EA
20	<a href="#">228005402</a>	STIFFENER WINDSHIELD AL .125X13.24X17.69 RH	1	EA
21	<a href="#">177005411</a>	SUPPORT RAIL WINDSHIELD AL .102X8.26X9.65 LH	1	EA
22	<a href="#">177005412</a>	SUPPORT RAIL WINDSHIELD AL .102X8.26X9.65 RH	1	EA
23	248005400	RAIL WINDSHIELD 93W AL 851100X89	1	EA
24	<a href="#">187005417</a>	SHELF DASH AL .125X13.73X84	1	EA
25	<a href="#">238005421</a>	CAB SKIRT AL .07X27.42X30.57 LH	1	EA
26	<a href="#">238005406</a>	CAB SKIRT AL .07X27.29X30.57 RH	1	EA
27	<a href="#">8502000</a>	CORNER AL CAST W/S LH	1	EA
28	<a href="#">8502001</a>	CORNER AL CAST W/S RH	1	EA
29	<a href="#">47008545</a>	VENT AL 2WAY HINGELESS	1	EA
30	<a href="#">47008548</a>	GASKET FOR VENT #47008545	1	EA
31	<a href="#">077050406</a>	GUSSET TOEBOARD AL .125X5.33X14.88 RH	1	EA
32	<a href="#">178050400</a>	PLATE HEEL SCUFF ALD .125X7X13.38	1	EA
33	<a href="#">47006630</a>	CLIP PLASTIC ROUND/HEAD 1.32-1.34	12	EA
34	<a href="#">1107270</a>	SEAL TRIM QUICK EDGE - ENGINE BOX	8	FT
35	<a href="#">198028410</a>	LID ENGINE BOX AL .102X20.05X34.03	1	EA
36	<a href="#">47007859</a>	HINGE OFFSET	2	EA
37	<a href="#">117028400</a>	SHIM ENG BOX LID	2	EA
38	<a href="#">006756400</a>	GLASS SIDE WINDOW 85H TRI 30 DEG	2	EA
39	<a href="#">005756400</a>	GLASS WINDSHIELD FRONT 31.29X41.54	2	EA
40	<a href="#">44004304</a>	WEATHERSTRIP FOR GLASS X142.5	2	EA
41	<a href="#">44004309</a>	WEATHERSTRIP FOR GLASS X86.25	2	EA



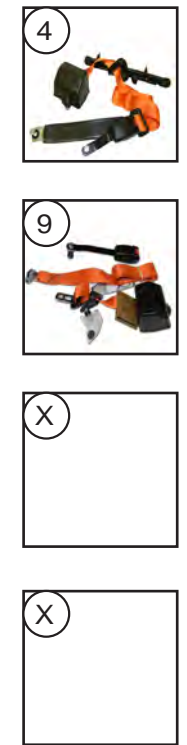
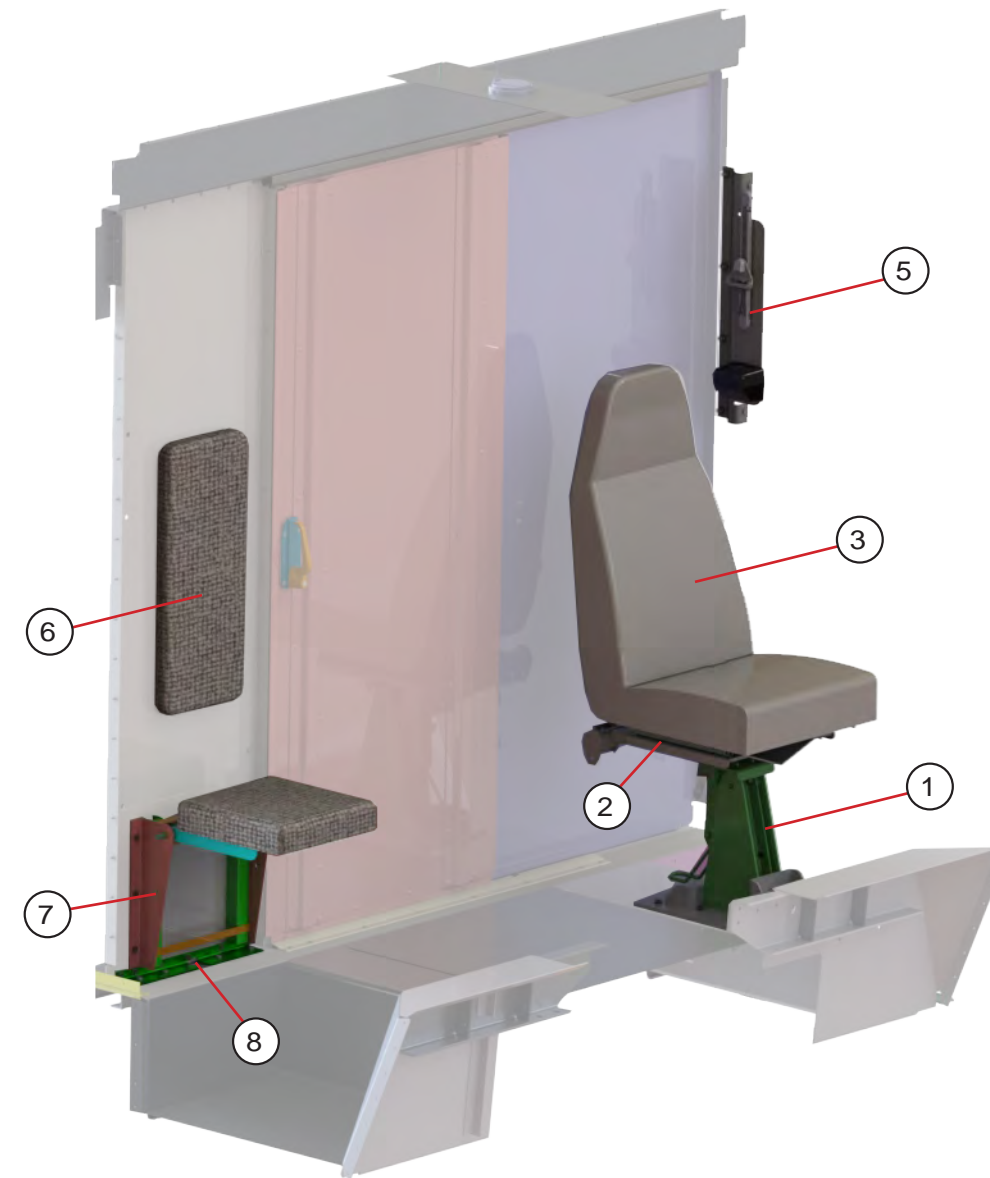
ITEM #	PART #	DESCRIPTION	QTY	UNIT
1	<a href="#">230076420</a>	COVER WIPER MOTOR AL .07X21.09X83	1	EA
2	<a href="#">47007927</a>	HINGE - COMPARTMENT DOOR	2	EA
3	<a href="#">230076412</a>	DOOR - OVERHEAD COMPARTMENT AL .07X5.28X21.75	1	EA
4	<a href="#">47001500</a>	LOCK CYLINDER 1-PT W/2 KEYS	1	EA
5	<a href="#">230076419</a>	SHELF OVERHEAD AL .102X11.96X87	1	EA
6	<a href="#">230076411</a>	DIVIDER SHELF WIPER COVER AL .102X9.76X9.89	1	EA
7	<a href="#">230076406</a>	BRACKET MOUNTING AL .102X2.18X9.13	2	EA
8	<a href="#">077240400</a>	CROSSMEMBER CENTER AL 456106X41	1	EA
9	<a href="#">248024200</a>	STEP ASSEMBLY 88W RH	1	EA
10	<a href="#">227024200</a>	STEP ASSEMBLY 88W LH	1	ea
11	<a href="#">96724608</a>	PAD DAMPENING VNL452000X9X20	1	EA
12	<a href="#">248024400</a>	LID BATTERY AL .125X22.25X23.65	1	EA
13	<a href="#">187024401</a>	HINGE AL .075X1.12X1.75X20	1	EA
14	<a href="#">45503042</a>	LATCH COMPRESSION RECESSED	2	EA
NS	<a href="#">107024416</a>	PLATE FILLER STEP AL .125X4.03X4.87LH	1	EA
16	<a href="#">107024415</a>	PLATE FILLER STEP AL .125X4.03X4.87RH	1	EA
17	<a href="#">207024202</a>	TRANSVERSE FLOOR ASSEMBLY AL FCC	1	EA
18	<a href="#">40900080</a>	STUD	8	EA
19	<a href="#">40900081</a>	GROMMET HALF	10	EA
20	<a href="#">40900082</a>	SPRING	8	EA
21	<a href="#">208024412</a>	ANGLE TRIM/FLOOR AL .102X6.49X38.7	1	EA
22	44000294	FLOOR MAT STEP RISER RH	1	EA
23	44000291	FLOOR MAT STEP RISER CORNER LH/RH	2	EA
24	44000293	FLOOR MAT TOEBOARD RH	1	EA
25	44000290	FLOOR MAT TOEBOARD LH	1	EA
26	44000295	FLOOR MAT CAB	1	EA
27	<a href="#">44000292</a>	FLOOR MAT STEP RISER LH	1	EA
28	247019407	TRIM FLOOR AL .125X2.03X46.88	1	EA
29	<a href="#">247019404</a>	TRIM STEP RISER ALD .125X2.93X16.4	1	EA
30	247019401	TRIM TOEBOARD ALD .125X8.43X36.06 LH	1	EA
31	<a href="#">247019406</a>	TRIM FLOOR ALD .125X3.94X27	2	EA
32	247019403	TRIM STEP RISER ALD .125X2.15X19.63	2	EA
33	247019400	PLATE SCUFFF ALD .125X15.07X20.99	1	EA
34	247019408	TRIM FLOOR ALD .125X3.8X36.77	1	EA
35	<a href="#">247019405</a>	TRIM STEP RISER ALD .125X4.14X23.56	1	EA
36	247019402	TRIM TOEBOARD ALD .125X8.44X27.31 RH	1	EA
37	<a href="#">45400588</a>	PLATE STEP FIBERGLASS .17X9.75X17.63 LH LOWER	1	EA
37	<a href="#">45400601</a>	PLATE STEP FIBERGLASS .17X9.72X19.75 RH UPPER	1	EA
38	<a href="#">45400602</a>	PLATE STEP FIBERGLASS .17X7.38X17.63 LH UPPER	1	EA
38	<a href="#">45400589</a>	PLATE STEP FIBERGLASS .17X7.19X23 RH LOWER	1	EA



ITEM #	PART #	DESCRIPTION	QTY.	UNIT
1	<a href="#">197017000</a>	HOOD INSTALLATION TLT 93W	1	EA
2	<a href="#">47007852</a>	HINGE COMPLETE ASSEMBLY	2	EA
3	<a href="#">197017400</a>	PANEL HOOD AL	1	EA
4	<a href="#">088017416</a>	COWL HOOD AL LH	1	EA
5	<a href="#">088017417</a>	COWL HOOD AL RH	1	EA
6	<a href="#">45100057</a>	CORNER CASTING KNEE COWL FRONT LH	1	EA
7	<a href="#">45100058</a>	CORNER CASTING KNEE COWL FRONT RH	1	EA
8	<a href="#">088017414</a>	SKIRT HOOD AL LH	1	EA
9	<a href="#">088017415</a>	SKIRT HOOD AL RH	1	EA
10	<a href="#">45700101</a>	GRILLE WIRE MESH 20.5X38.81	1	EA
11	<a href="#">90187300</a>	GRAB HANDLE .5DIAX15.7	1	EA
12	<a href="#">45100060</a>	CAP AL COWL END AFT LH	1	EA
13	<a href="#">45100061</a>	CAP AL COWL END AFT RH	1	EA
14	<a href="#">115017403</a>	STIFFENER HOOD AL LH	1	EA
15	<a href="#">088017419</a>	STIFFENER HOOD AL X63.62	1	EA
16	<a href="#">115017404</a>	STIFFENER HOOD AL RH	1	EA
17	<a href="#">197017404</a>	SPLASH PAN SUPPORT AL LH	1	EA
18	<a href="#">197017406</a>	SPLASH PAN SUPPORT AL RH	1	EA
19	<a href="#">197017405</a>	STRAP AL LH	1	EA
20	<a href="#">088017438</a>	STRAP AL RH	1	EA
21	<a href="#">95817312</a>	GUSSET CORNER AL LH	1	EA
22	<a href="#">95817313</a>	GUSSET CORNER AL RH	1	EA
23	<a href="#">197017402</a>	SPLASH PAN HOOD AL LH	1	EA
24	<a href="#">197017401</a>	SPLASH PAN HOOD AL RH	1	EA
25	<a href="#">207017200</a>	SUPPORT ASSEMBLY GRILLE 93W	1	EA
26	<a href="#">44002004</a>	BUBBER BUMPER HOOD REST	2	EA
27	<a href="#">91617304</a>	TAP PLATE HOOD HINGE AL	2	EA
28	<a href="#">96717312</a>	SHIM AL	2	EA
29	<a href="#">197026400</a>	SPLASH PAN AL LH	1	EA
30	<a href="#">147026401</a>	SPLASH PAN AL RH	1	EA
31	<a href="#">40900019</a>	STUD BALL	4	EA
32	<a href="#">124016403</a>	BRACKET HOOD LOWER AL LH	1	EA
33	<a href="#">124016404</a>	BRACKET HOOD LOWER AL RH	1	EA
34	<a href="#">197016401</a>	BRACKET GAS SPRING AL LH	1	EA
35	<a href="#">197016402</a>	BRACKET GAS SPRING AL RH	1	EA
36	<a href="#">47006116</a>	GAS SPRING WITH LOCK 150LB 28/16.5 IGS	1	EA
37	<a href="#">47006117</a>	GAS SPRING W/O LOCK 150LB 28/16.5 IGS	1	EA
39	<a href="#">43000903</a>	HOOD PROPER INSTRUCTION LABEL	1	EA
40	<a href="#">227017400</a>	BRACKET - HINGE REINFORCEMENT	2	EA
41	<a href="#">097016404</a>	SUPPORT ANGLE LH ( RH - 097016405)	1	EA
42	<a href="#">47000614</a>	HOOD LATCH	2	EA
43	<a href="#">077150400</a>	SUPPORT BRACKET HOOD - STEEL	2	EA
44	<a href="#">96713300</a>	ANGLE HOOD REST STEEL	2	EA



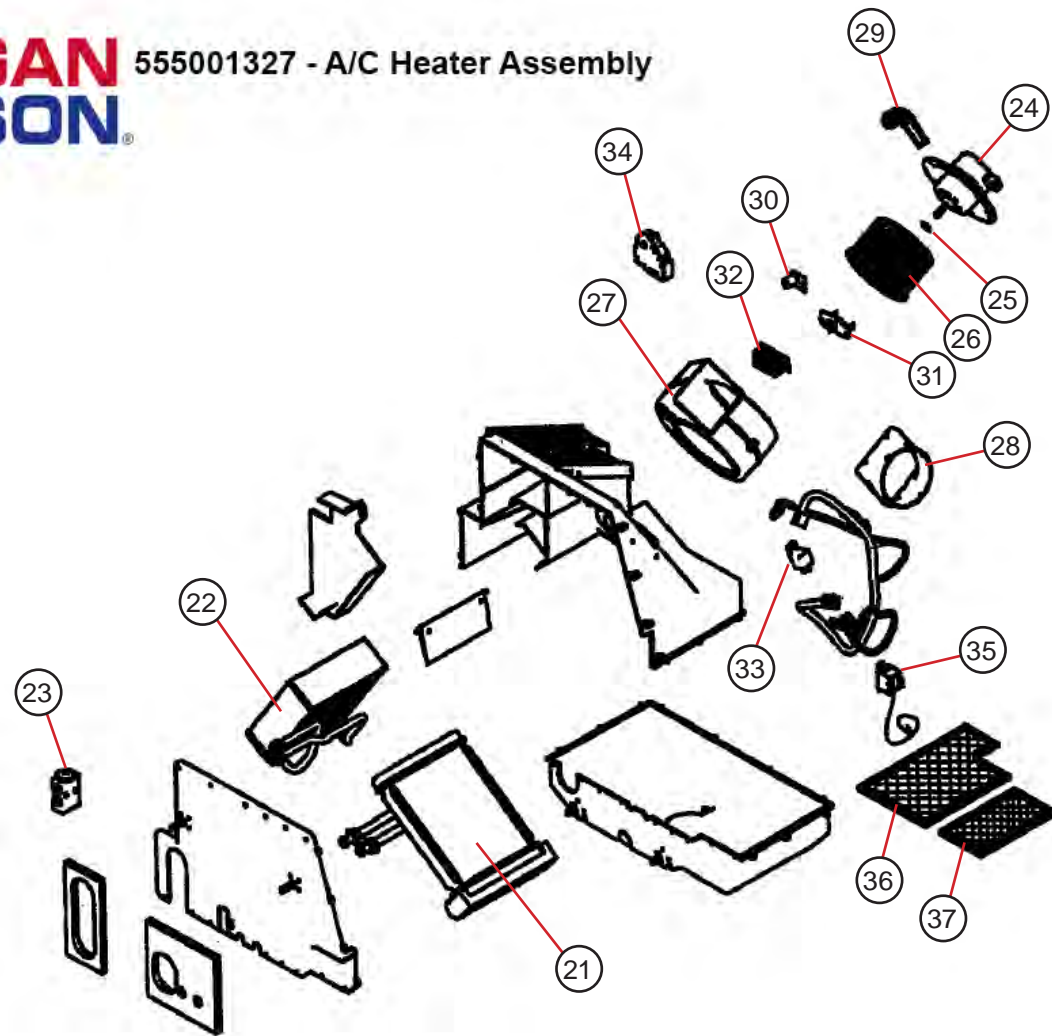
ITEM #	PART #	DESCRIPTION	QTY	UNIT
1	247027201	INSTRUMENT PANEL - WELDED ASSEMBLY	1	EA
2	<a href="#">180027410</a>	PLATE COVER HVAC AL	1	EA
3	<a href="#">128027421</a>	PLATE ACCESS COVER RADIO AL	1	EA
4	<a href="#">247027401</a>	PLATE KEYLESS MODULE AL	1	EA
5	<a href="#">006327209</a>	SPACER - IGNITION SWITCH	1	EA
6	<a href="#">002027423</a>	BRACKET SHIFTER STEEL 11GA	1	EA
7	<a href="#">114027403</a>	BRACKET MOUNTING AL	1	EA
8	<a href="#">215027409</a>	BRACKET I/P AL	1	EA
9	<a href="#">118027414</a>	BRACE AL	1	EA
10	<a href="#">198027403</a>	I/P PANEL DSP AL	1	EA
11	<a href="#">46026432</a>	POWER PORT USB 5VDC	2	EA
12	<a href="#">46026378</a>	RECEPTICLE POWER 12VDC	1	EA
13	<a href="#">47000861</a>	SHIFTER MOUNTING WEDGE 17 DEGREE	1	EA



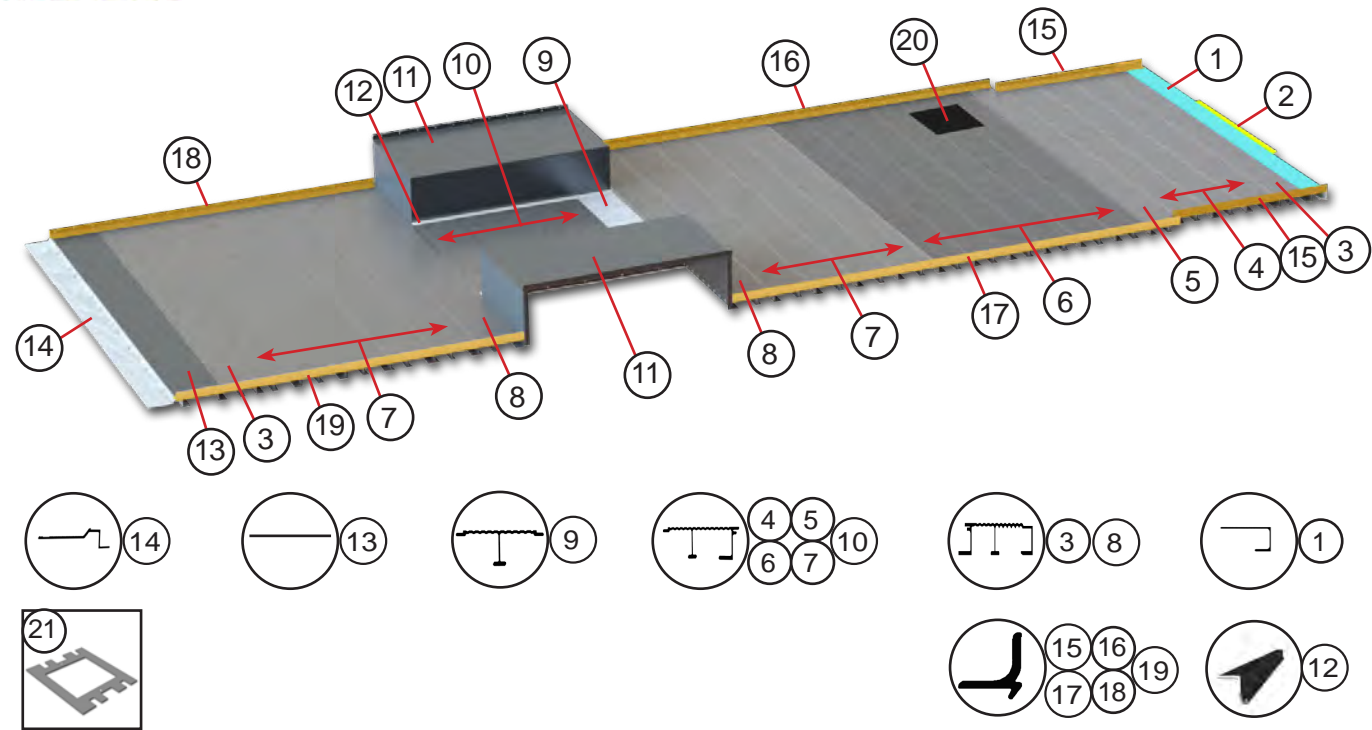
ITEM #	PART #	DESCRIPTION	QTY.	UNIT
1	<a href="#">47012658</a>	SEAT SOCKET ASSEMBLY 3POINT NTLT	1	EA
2	<a href="#">47004332</a>	PEDESTAL SEAT UPPER 3 POINT/IN FCC	1	EA
3	<a href="#">47004653</a>	DRIVER SEAT CLOTH BLACK LUMBAR	1	EA
4	<a href="#">47007912</a>	SEAT BELT ORANGE W/O TETHERS	1	EA
5	<a href="#">005754400</a>	BRACKET ANCHOR STL 7GAX7.24X25.75	1	EA
6	<a href="#">47002708</a>	SEAT HEAD BACK/REST BLACK CLOTH	1	EA
7	<a href="#">47002707</a>	SEAT JUMP FOLDING BLACK CLOTH	1	EA
8	<a href="#">91614300</a>	ANGLE FLOOR AL .188X2.84X19.1	1	EA
9	<a href="#">47004366</a>	SEAT BELT W/BOOT BLKH 3PNT OG R	1	EA



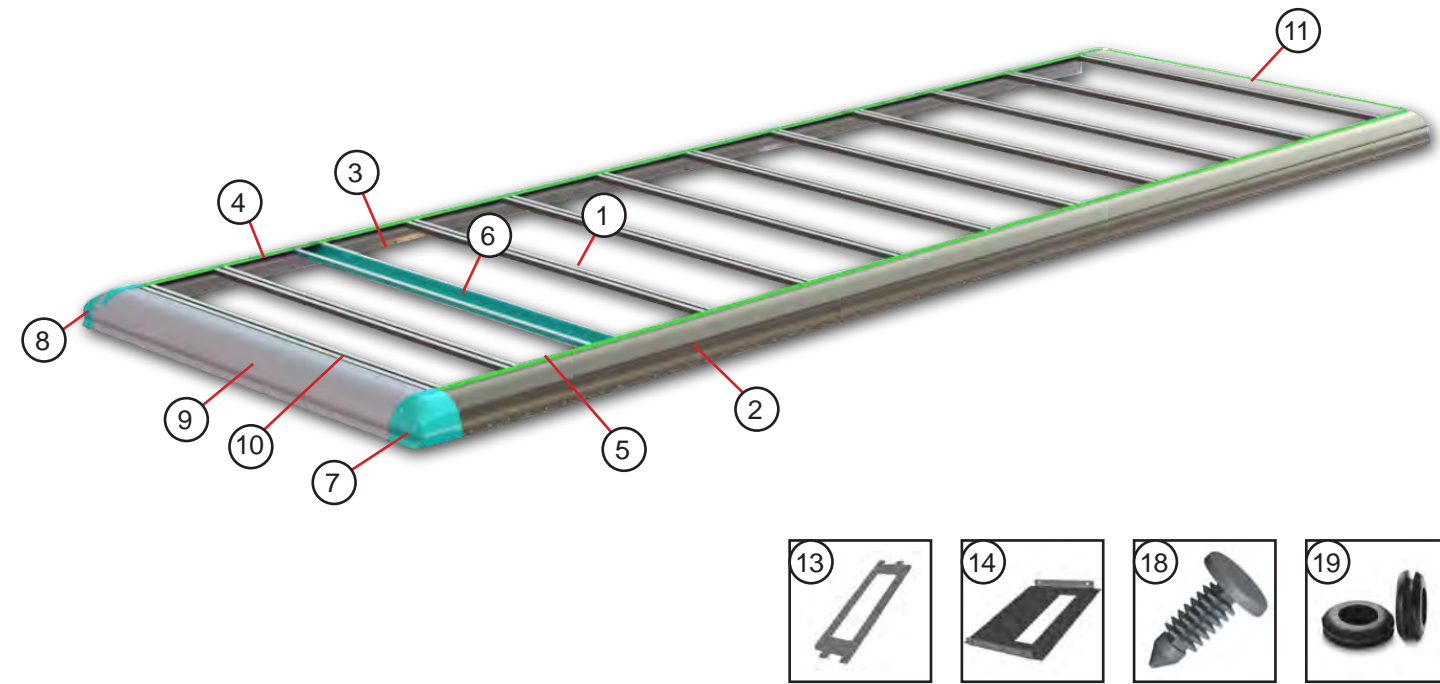
555001327 - A/C Heater Assembly



ITEM #	PART #	DESCRIPTION	QTY	UNIT
1	<a href="#">555001327</a>	Heater A/C Assembly	1	EA
2	<a href="#">555001425</a>	Panel Control HVAC	1	EA
3	<a href="#">555002057</a>	Water Valve	1	EA
4	<a href="#">220063400</a>	Bracket - Heater Control (Water Valve)	1	EA
5	<a href="#">555001721</a>	Defroster Duct RH Metal	1	EA
6	<a href="#">555001722</a>	Defroster Duct LH Metal	1	EA
7	<a href="#">093080400</a>	Plate - Hold Down (Defroster Ducts)	4	EA
8	<a href="#">555001715</a>	Louver Ball	7	EA
9	<a href="#">555001523</a>	Hose Defroster 2.5 X 16"	2	EA
9	<a href="#">555001524</a>	Hose Defroster 2.5 X 30"	3	EA
9	<a href="#">555001525</a>	Hose Defroster 2.5 X 38"	2	EA
10	<a href="#">555001533</a>	Hose Blower 5 X 7.5" (Heater to Plenum)	1	EA
11	<a href="#">090080401</a>	Duct - Foot Dump (Mounting Plate 005780402)	1	EA
12	<a href="#">47008017</a>	Connector Straight .62id Black Nylon	3	EA
13	<a href="#">1107072</a>	Grommet	1	EA
14	<a href="#">555002109</a>	Drain Resistor Assembly	1	EA
15	<a href="#">555001326</a>	Duct - HVAC Heater Plenum	1	EA
16	<a href="#">47008690</a>	Hose Heater Formed 9.25"	2	EA
17	<a href="#">46026312</a>	Tie Wrap 21"	2	EA
18	<a href="#">217005437</a>	Cover Plate - Fresh Air Intake	1	EA
19	<a href="#">217005433</a>	Bracket - Fresh Air Intake	1	EA
20	<a href="#">45700120</a>	Filter Kit - Fresh Air Intake (Filter Only P/N <a href="#">45700119</a> )	1	EA
21	<a href="#">47008760</a>	Heater Coil W/ gaskets & Clamp	1	EA
22	<a href="#">47008763</a>	Evaporator Coil Assembly	1	EA
23	<a href="#">47008138</a>	Expansion Valve	1	EA
24	<a href="#">46032339</a>	Blower Motor	1	EA
25	<a href="#">47008799</a>	Blower Shaft Retainer Clip	1	EA
26	<a href="#">47008769</a>	Blower Wheel	1	EA
27	<a href="#">47008754</a>	Blower Housing	1	EA
28	<a href="#">47008755</a>	Blower Adaptor	1	EA
29	<a href="#">47008730</a>	Vent Tube	1	EA
30	<a href="#">47008731</a>	Vent Tube Adaptor	1	EA
31	<a href="#">47008460</a>	Resistor	1	EA
32	<a href="#">47008732</a>	Resistor Cage	1	EA
33	<a href="#">47008716</a>	Relay	1	EA
34	<a href="#">47008705</a>	Servo Motor	1	EA
35	<a href="#">47008615</a>	Thermostat	1	EA
36	<a href="#">47008624</a>	Filter	1	EA
37	<a href="#">47008625</a>	Filter	1	EA
NS	<a href="#">990002285</a>	A/C Parts Kit - See parts breakdown online	1	EA

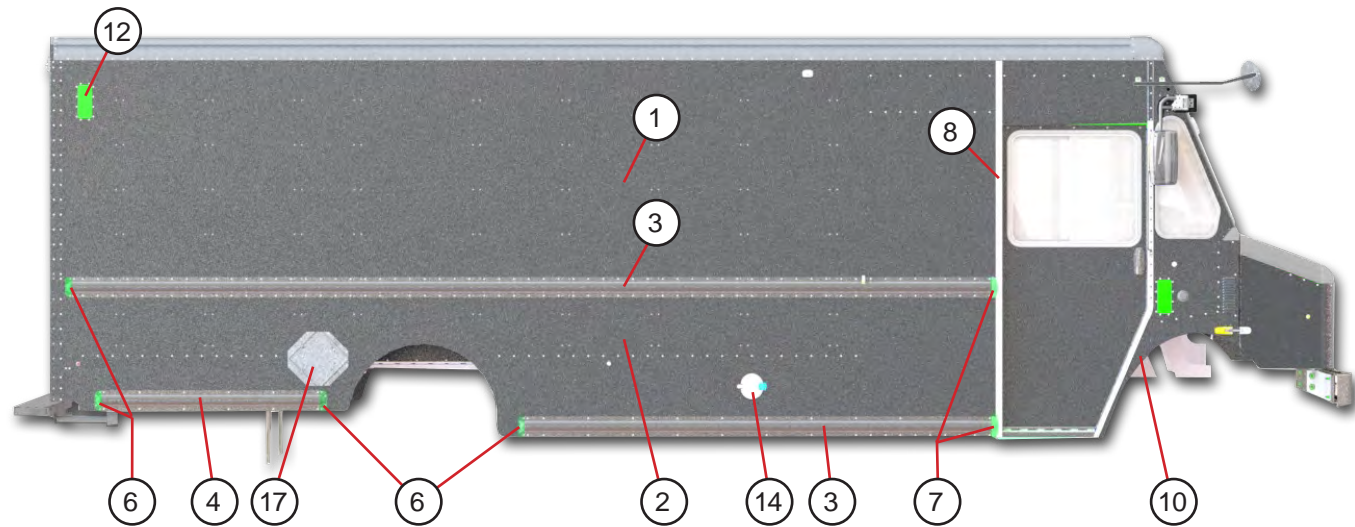


ITEM #	PART #	DESCRIPTION	QTY.	UNIT
1	<a href="#">215031453</a>	BEAM @ O-LINE	1	EA
2	<a href="#">001730416</a>	STEP ANGLE AL X33.38"	1	EA
3	<a href="#">095033420</a>	BEAM FLOOR 7"	2	EA
4	<a href="#">215031421</a>	BEAM FLOOR 8"	3	EA
5	<a href="#">215031422</a>	BEAM FLOOR 8"	1	EA
6	<a href="#">215031426</a>	BEAM FLOOR 8"	6	EA
7	<a href="#">215031423</a>	BEAM FLOOR 9"	9	EA
8	<a href="#">215031424</a>	BEAM FLOOR 8.5"	2	EA
9	<a href="#">190032400</a>	BEAM FLOOR	1	EA
10	<a href="#">190032401</a>	BEAM FLOOR	4	EA
11	<a href="#">215031209</a>	WHEEL BOX ASSEMBLY	2	EA
12	<a href="#">95869302</a>	ANGLE - WHEEL BOX ATTACH 44"	2	EA
13	247031400	FLOOR PLATE - FILLER	1	EA
14	<a href="#">45059202</a>	DROP SILL AL	1	EA
15	<a href="#">215031500</a>	ANGLE ATTACH - FLOOR TO SIDE FORWARD RH/LH	2	EA
16	<a href="#">215031511</a>	ANGLE ATTACH - FLOOR TO SIDE MID LH	1	EA
17	<a href="#">215031512</a>	ANGLE ATTACH - FLOOR TO SIDE MID RH	1	EA
18	<a href="#">215031509</a>	ANGLE ATTACH - FLOOR TO SIDE REAR LH	1	EA
19	<a href="#">215031510</a>	ANGLE ATTACH - FLOOR TO SIDE REAR RH	1	EA
20	<a href="#">96730416</a>	PLATE ACCESS DOOR AL .125X14X14.2	1	EA
21	<a href="#">05M234018</a>	SUPPORT PLATE - ACCESS DOOR	1	EA

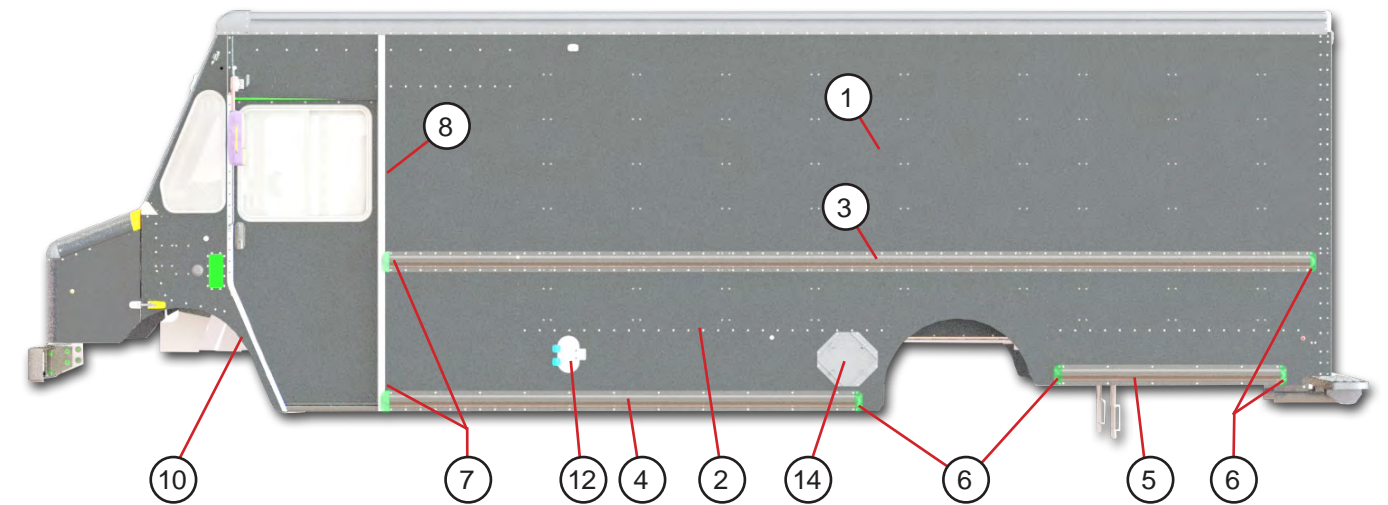


ITEM #	PART #	DESCRIPTION	QTY.	UNIT
1	<a href="#">45601604</a>	ROOF BOW STEEL 16GA SEC456016 X84.12	11	EA
2	<a href="#">240010400</a>	RAIL ROOF 18' 456144X290.97 LH	1	EA
3	<a href="#">240010401</a>	RAIL ROOF 18' 456144X290.97 RH	1	EA
4	<a href="#">240010402</a>	INTERLOCK ROOF RAIL AL 450140X290.97 LH	1	EA
5	<a href="#">240010403</a>	INTERLOCK ROOF RAIL AL 450140X290.97 RH	1	EA
6	<a href="#">001710410</a>	ROOF BOW @ O/LINE 14GA GLVNX9.54X84.12	1	EA
7	<a href="#">077100400</a>	CORNER CASTING AL RF LH	1	EA
8	<a href="#">077100401</a>	CORNER CASTING AL RF RH	1	EA
9	<a href="#">083010401</a>	NOSE ROOF 93W AL 456107X77.5	1	EA
10	<a href="#">001710407</a>	INTERLOCK ROOF NOSE AL 45014X77.38	1	EA
11	<a href="#">45014086</a>	INTERLOCK ROOF REAR AL 450140X77.38	1	EA
NS	<a href="#">45200847</a>	ROOF SKIN RISC	24.5	FT
13	<a href="#">100092401</a>	BRACKET DOME LAMP CARGO	3	EA
14	<a href="#">090091403</a>	BRACKET DOME LAMP CAB	1	EA
NS	<a href="#">47006610</a>	INSULATION FBG 1" X 48" X 8 FT	8	FT
NS	<a href="#">155011400</a>	LINER ROOF EMBOSSSED 37 X 82" (CAB)	1	EA
NS	100011400	POLYESTER FILLER 4 X 22.5"	4	EA
18	<a href="#">47006610</a>	PLASTIC CLIP	30	EA
19	<a href="#">44000052</a>	GROMMET 1X.125X1.3125	3	EA
19	<a href="#">1107109</a>	GROMMET 0.375X0.125X.0625	1	EA



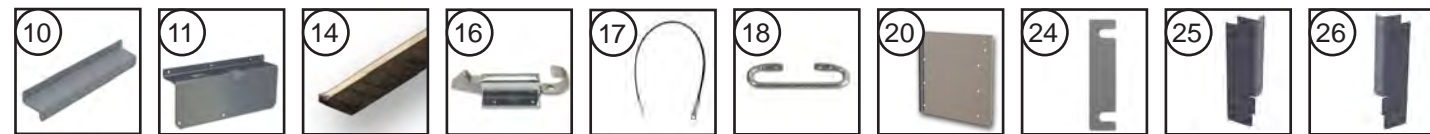
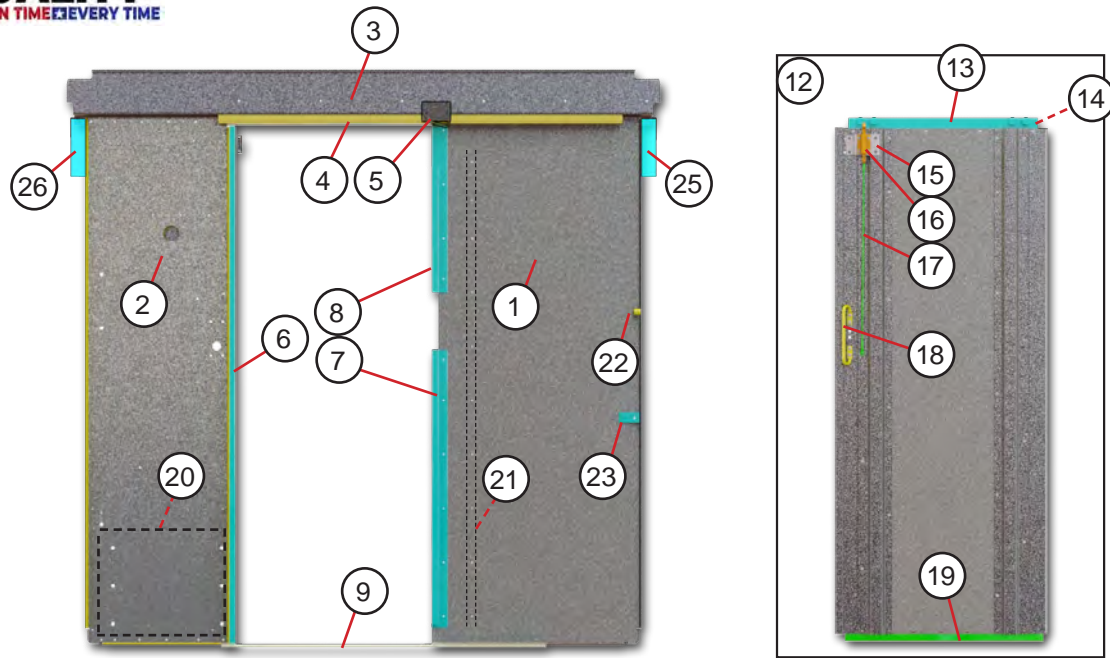


ITEM #	PART #	DESCRIPTION	QTY	UNIT
1	<a href="#">248038401</a>	SIDE PANEL UPPER AL .102X60X255.31 LH/RH	1	EA
2	<a href="#">248037401</a>	SIDE PANEL LOWER AL .102X38.79X255.31 RH	1	EA
3	<a href="#">248039400</a>	RUB RAIL AL 450002X247.38	1	EA
4	<a href="#">237039526</a>	RUB RAIL AL 450002X125.32	1	EA
5	<a href="#">237039511</a>	RUB RAIL AL 450002X58.61	1	EA
6	<a href="#">1100799</a>	END CAP REAR AL CASTING	4	EA
7	<a href="#">1100800</a>	END CAP FORWARD AL CASTING	2	EA
8	<a href="#">107400401</a>	B/POST AL 450274X101.12 RH	1	EA
9	<a href="#">7600165</a>	PLATE FILLER AL .125X3.19X2.5	1	EA
10	<a href="#">177022401</a>	SKIRT TAIL AL RH	1	EA
11	<a href="#">001744400</a>	STRAP FLOOR TO SIDE AL	5	EA
12	<a href="#">47008545</a>	VENT AL 2WAY HINGELESS	1	EA
13	<a href="#">47008548</a>	GASKET FOR VENT #47008545	1	EA
14	<a href="#">095012410</a>	DOOR DEF TANK AL	1	EA
15	<a href="#">47007888</a>	HINGE - PLASTIC BLACK	1	EA
16	<a href="#">098012401</a>	CLIP - DOOR HANDLE AL	1	EA
17	<a href="#">43000514</a>	PLACARD - FLIP SIGN	1	EA
18	<a href="#">1107102</a>	RUBBER PLUG	1	EA



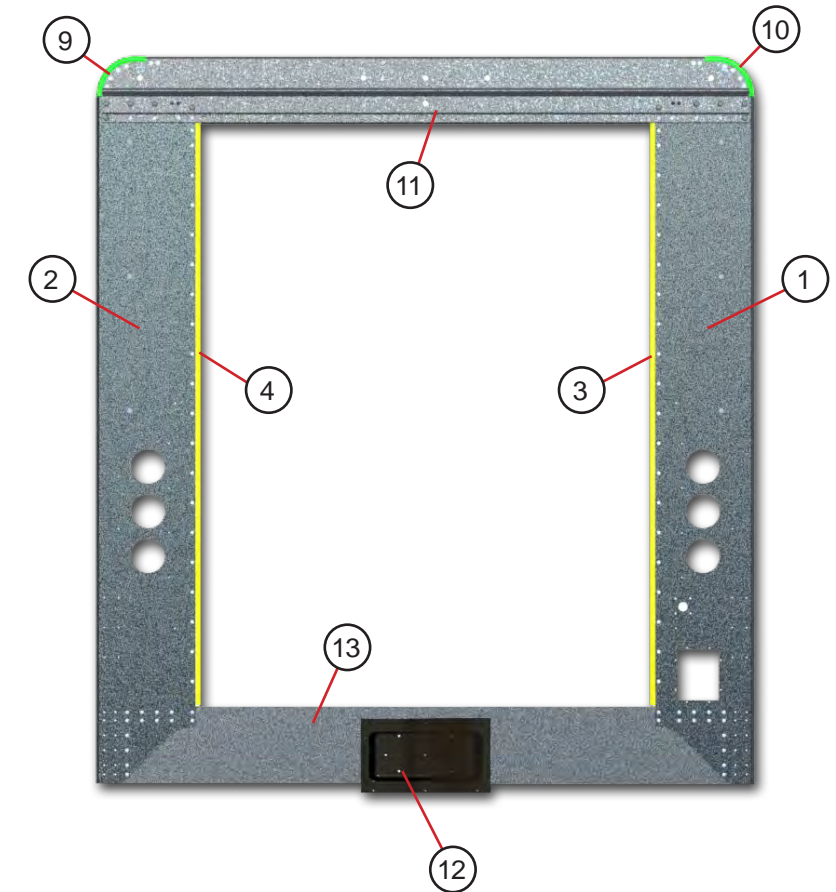
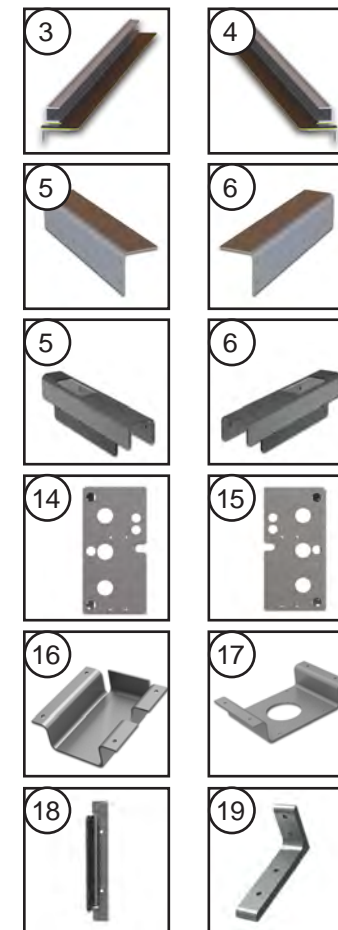
ITEM #	PART #	DESCRIPTION	QTY	UNIT
1	<a href="#">248038400</a>	SIDE PANEL UPPER AL .102X60X255.31 LH/RH	1	EA
2	<a href="#">248037400</a>	SIDE PANEL LOWER AL .102X38.79X255.31 LH	1	EA
3	<a href="#">248039400</a>	RUB RAIL AL 450002X247.38	1	EA
4	<a href="#">237039526</a>	RUB RAIL AL 450002X125.32	1	EA
5	<a href="#">237039511</a>	RUB RAIL AL 450002X58.61	1	EA
6	<a href="#">1100799</a>	END CAP REAR AL CASTING	4	EA
7	<a href="#">1100800</a>	END CAP FORWARD AL CASTING	2	EA
8	<a href="#">107400400</a>	B/POST AL 450274X101.12 LH	1	EA
9	<a href="#">7600165</a>	PLATE FILLER AL .125X3.19X2.5	1	EA
10	<a href="#">177022400</a>	SKIRT TAIL AL LH	5	EA
11	<a href="#">001744400</a>	STRAP FLOOR TO SIDE AL	2	EA
12	<a href="#">098012400</a>	DOOR - FUEL FILL AL	1	EA
13	<a href="#">47007888</a>	HINGE - FUEL FILL DOOR	2	EA
14	<a href="#">43000514</a>	PLACARD - FLIP SIGN	1	EA

## Bulkhead

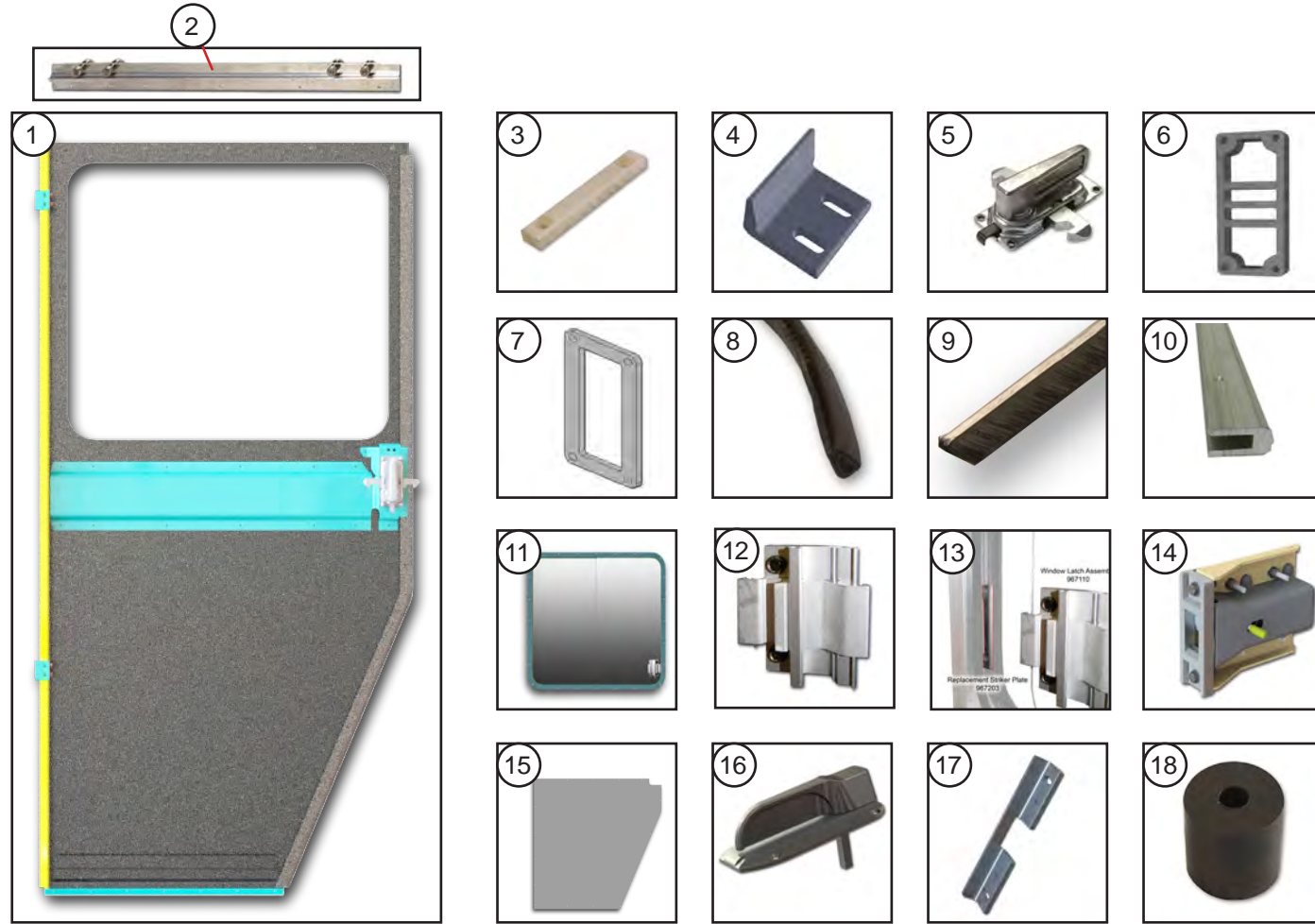


ITEM #	PART #	DESCRIPTION	QTY	UNIT
1	<a href="#">247070401</a>	PANEL BULKHEAD AL LH	1	EA
2	<a href="#">247070402</a>	PANEL BULKHEAD AL RH	1	EA
3	<a href="#">247070403</a>	HEADER BULKHEAD ZEE AL	1	EA
4	<a href="#">005770200</a>	DOOR TRACK ASSEMBLY	1	EA
5	<a href="#">98770202</a>	STRIKER ASSEMBLY WELDED	1	EA
6	<a href="#">167070409</a>	JAMP BULKHEAD DOOR AL X76.44	1	EA
7	<a href="#">247070404</a>	CHANNEL BULKHEAD AL X41.09	1	EA
8	<a href="#">207070410</a>	CHANNEL BULKHEAD AL X24.56	1	EA
9	<a href="#">96770316</a>	GUIDE DOOR FLOOR AL X47.88	1	EA
10	<a href="#">247070405</a>	GUARD WIRING BULKHEAD AL	1	EA
11	<a href="#">247070406</a>	GUARD WIRING BULKHEAD AL	1	EA
12	<a href="#">247070200</a>	DOOR ASSEMBLY - BULKHEAD	1	EA
13	<a href="#">247070201</a>	HANGER ASSEMBLY BULKHEAD DOOR	1	EA
14	<a href="#">44008050</a>	SEAL BRUSH TYPE B 1X83.9	1	EA
15	<a href="#">92537309</a>	MOUNTING PLATE LATCH AL	1	EA
16	<a href="#">1113046</a>	LATCH FINGER PULL	1	EA
17	<a href="#">1113600</a>	CABLE BULKHEAD DOOR BLACK VINYL 29"	1	EA
18	<a href="#">90187300</a>	GRAB HANDLE AL .5DIA2.13X9	1	EA
19	<a href="#">247070409</a>	GUIDE DOOR STRIP X29.5	1	EA
20	<a href="#">167070406</a>	PLATE REINFORCEMENT JUMP SEAT AL	1	EA
21	<a href="#">083069404</a>	STIFFENER JUMP SEAT AL X72.12	1	EA
22	<a href="#">44002016</a>	BUMPER RUBBER	1	EA
23	<a href="#">45200208</a>	DOOR CHOCK NYLON	1	EA
24	<a href="#">207070412</a>	SHIM BULKHEAD DOOR AL .125X.63X2.63	1	EA
25	<a href="#">167070407</a>	PLATE FILLER BULKHEAD LH	1	EA
26	<a href="#">167070408</a>	PLATE FILLER BULKHEAD RH	1	EA

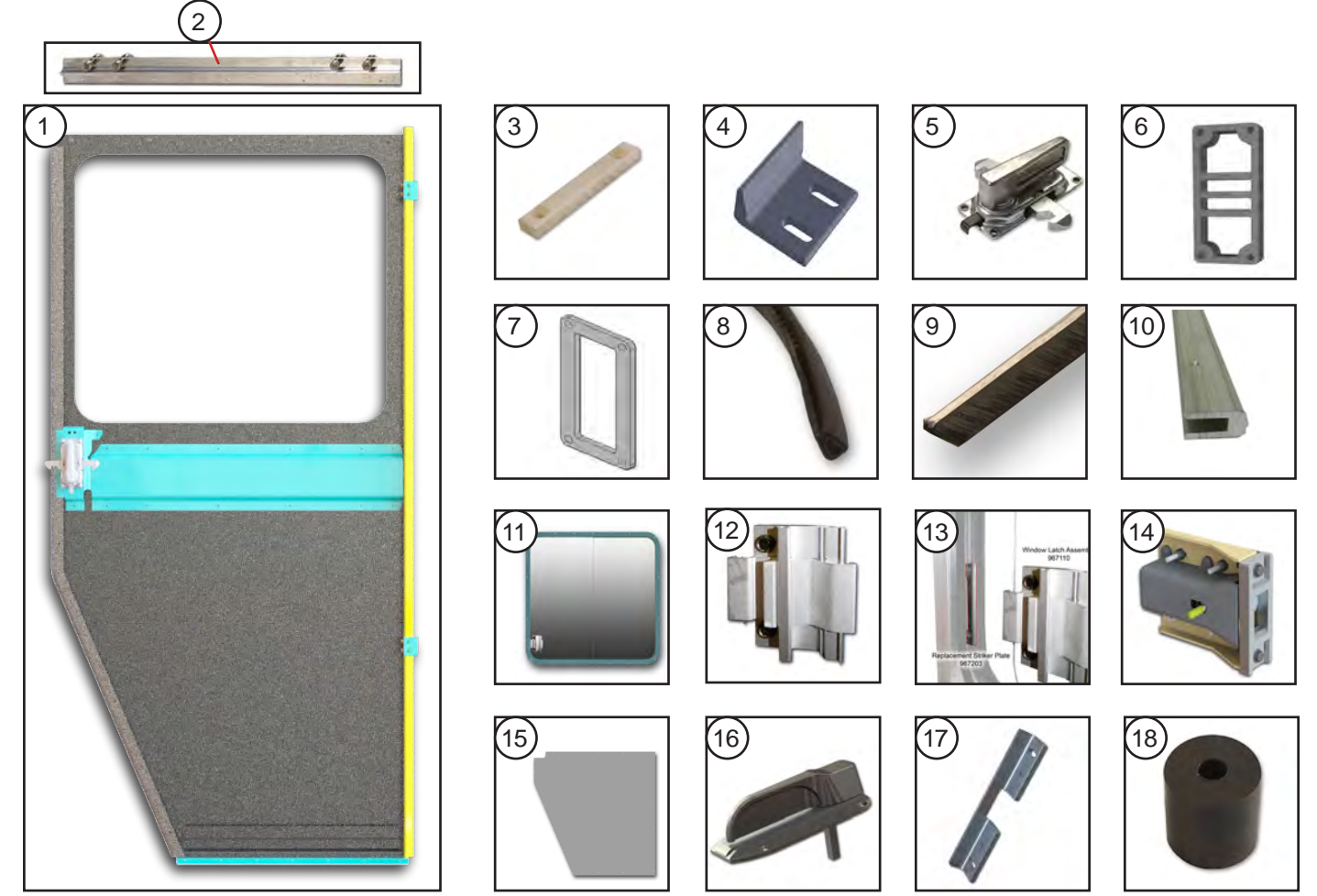
## Back



ITEM #	PART #	DESCRIPTION	QTY.	UNIT
1	<a href="#">248053401</a>	PANEL BACK AL .102X15.25X90.03 RH	1	EA
2	<a href="#">248053400</a>	PANEL BACK AL .102X15.25X90.03 LH	1	EA
3	<a href="#">247053201</a>	DOOR POST / JAMB ASSEMBLY RH	1	EA
4	<a href="#">97024202</a>	DOOR POST / JAMB ASSEMBLY LH	1	EA
5	<a href="#">210053420</a>	REINFORCEMENT INNER AL 450176X35 RH	1	EA
6	<a href="#">210053419</a>	REINFORCEMENT INNER AL 450176X35 LH	1	EA
7	<a href="#">248053405</a>	BRACKET TRANSOM REAR LH AL	1	EA
8	<a href="#">248053406</a>	BRACKET TRANSOM REAR RH AL	1	EA
9	<a href="#">45100009</a>	CORNER CASTING LH	1	EA
10	<a href="#">45100010</a>	CORNER CASTING RH	1	EA
11	<a href="#">248053404</a>	TRANSOM REAR	1	EA
12	<a href="#">140092400</a>	LICENSE PLATE BOX	1	EA
13	<a href="#">248053402</a>	SILL REAR 93W	1	EA
14	<a href="#">160053408</a>	LAMP GUARD LH AL LH	1	EA
15	<a href="#">160053409</a>	LAMP GUARD RH AL RH	1	EA
16	<a href="#">227081403</a>	GUARD KEYLESS REAR AL	1	EA
17	<a href="#">227081401</a>	BRACKET KEYLESS BOX AL	1	EA
18	<a href="#">227081402</a>	BRACKET KEYLESS BOX AL	2	EA
19	<a href="#">90650309</a>	CLIP ANGLE AL	2	EA

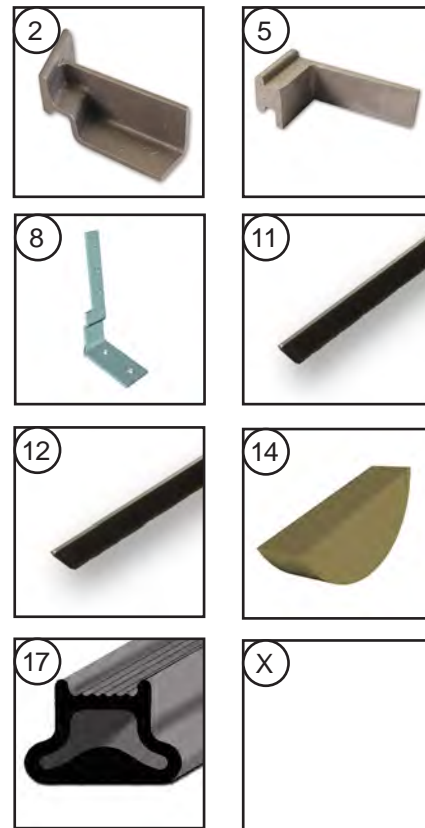
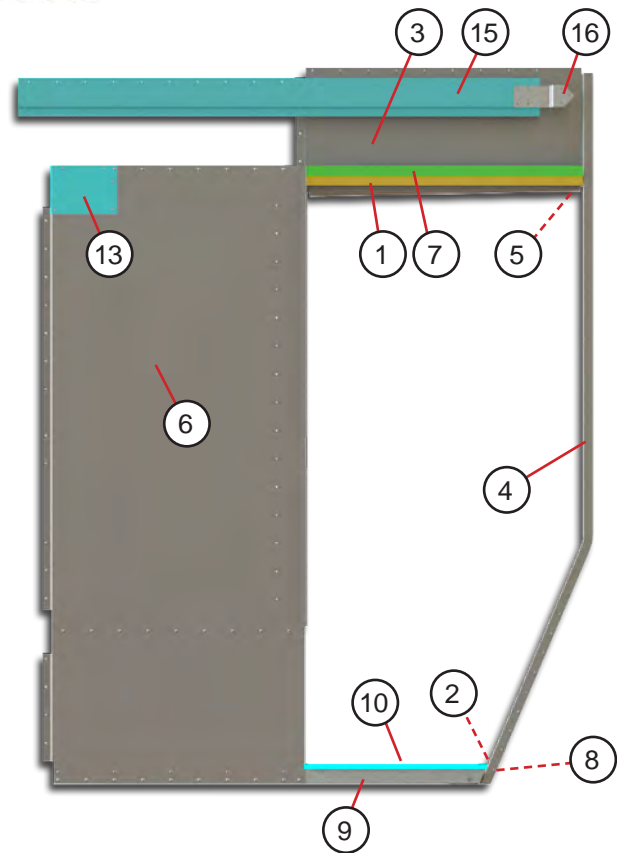


ITEM #	PART #	DESCRIPTION	QTY	UNIT
1	<a href="#">210060201</a>	DOOR SIDE ASSEMBLY LH	1	EA
2	<a href="#">96760203</a>	HANGER ASSEMBLY W/ BEARINGS	1	EA
3	<a href="#">45200206</a>	SPACER ANTI RATTLE NYLON	2	EA
4	<a href="#">45300377</a>	CLIP ANTI RATTLE D/PKT	2	EA
5	<a href="#">45100168</a>	LOCK MECHINISM INNER	1	EA
6	<a href="#">087181</a>	SPACER LOCK .54 DP ZN	1	EA
7	<a href="#">157060404</a>	SPACER LOCK AL .188X2.5X5.5	1	EA
8	<a href="#">44000260</a>	TRIM QUICK EDGE	1	FT
9	<a href="#">44008050</a>	SEAL BRUSH TYPE B 1X83.9	1	EA
9	<a href="#">44004060</a>	SEAL BRUSH TYPE C 1.5X82	1	EA
10	<a href="#">210060408</a>	WEAR STRIP AL 450008X26 LH/RH	1	EA
11	<a href="#">45800134</a>	WINDOW SLIDING LH	1	EA
12	<a href="#">967110</a>	REPLACEMENT WINDOW LATCH	-	EA
13	<a href="#">967203</a>	REPLACEMENT STRIKER PLATE FOR WINDOW LATCH	-	EA
14	<a href="#">46029041</a>	LOCK ASSEMBLY KEYLESS ENTRY LH	1	EA
15	<a href="#">118060403</a>	PANEL LOWER DOOR AL .07X39.4X40.02 RH	1	EA
16	<a href="#">47000688</a>	DOOR HANDLE PADDLE TYPE NON LOCKING	1	EA
17	<a href="#">198041400</a>	STRIKER REAR	1	EA
18	<a href="#">44002011</a>	RUBBER BUMPER	1	EA



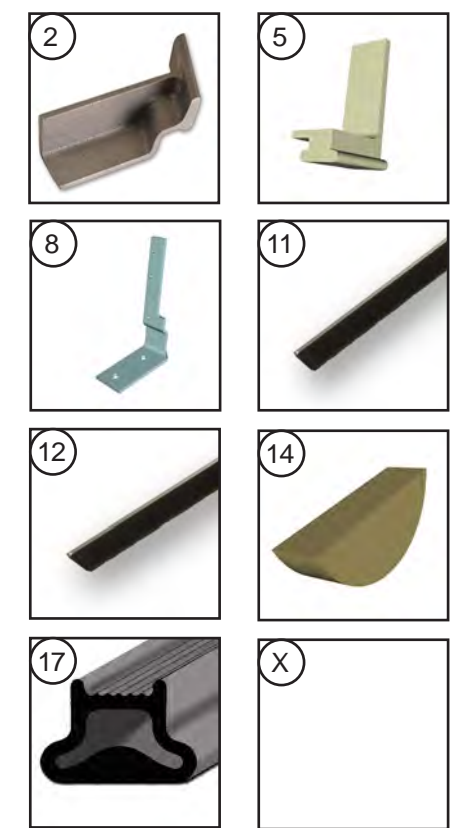
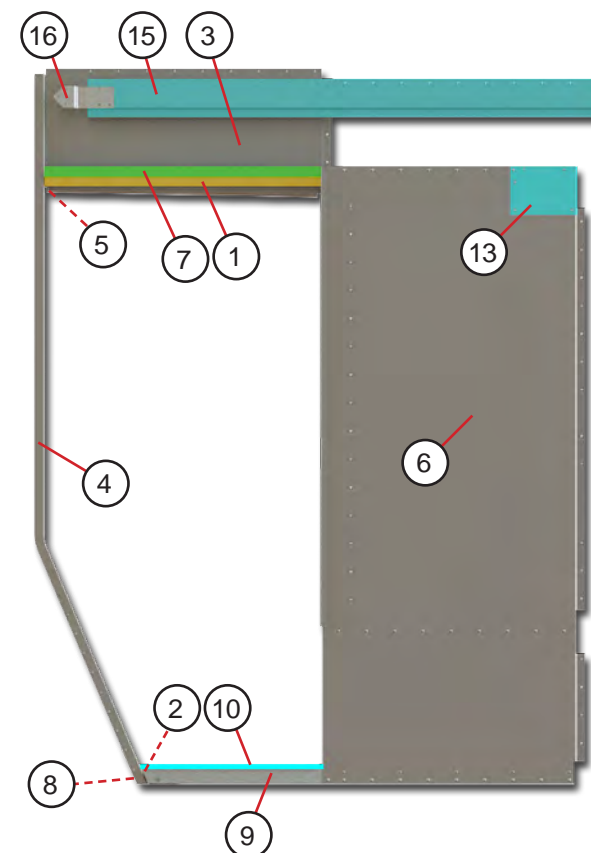
ITEM #	PART #	DESCRIPTION	QTY	UNIT
1	<a href="#">210060202</a>	DOOR SIDE ASSEMBLY LH	1	EA
2	<a href="#">96760203</a>	HANGER ASSEMBLY W/ BEARINGS	1	EA
3	<a href="#">45200206</a>	SPACER ANTI RATTLE NYLON	2	EA
4	<a href="#">45300377</a>	CLIP ANTI RATTLE D/PKT	2	EA
5	<a href="#">45100168</a>	LOCK MECHINISM INNER	1	EA
6	<a href="#">087181</a>	SPACER LOCK .54 DP ZN	1	EA
7	<a href="#">157060404</a>	SPACER LOCK AL .188X2.5X5.5	1	EA
8	<a href="#">44000260</a>	TRIM QUICK EDGE	1	FT
9	<a href="#">44008050</a>	SEAL BRUSH TYPE B 1X83.9	1	EA
9	<a href="#">44004060</a>	SEAL BRUSH TYPE C 1.5X82	1	EA
10	<a href="#">210060408</a>	WEAR STRIP AL 450008X26 LH/RH	1	EA
11	<a href="#">45800135</a>	WINDOW SLIDING RH	1	EA
12	<a href="#">967110</a>	REPLACEMENT WINDOW LATCH	-	EA
13	<a href="#">967203</a>	REPLACEMENT STRIKER PLATE FOR WINDOW LATCH	-	EA
14	<a href="#">46029042</a>	LOCK ASSEMBLY KEYLESS ENTRY RH	1	EA
15	<a href="#">118060403</a>	PANEL LOWER DOOR AL .07X39.4X40.02 RH	1	EA
16	<a href="#">47000688</a>	DOOR HANDLE PADDLE TYPE NON LOCKING	1	EA
17	<a href="#">198041400</a>	STRIKER REAR	1	EA
18	<a href="#">44002011</a>	RUBBER BUMPER	1	EA

### Side Door Pocket LH

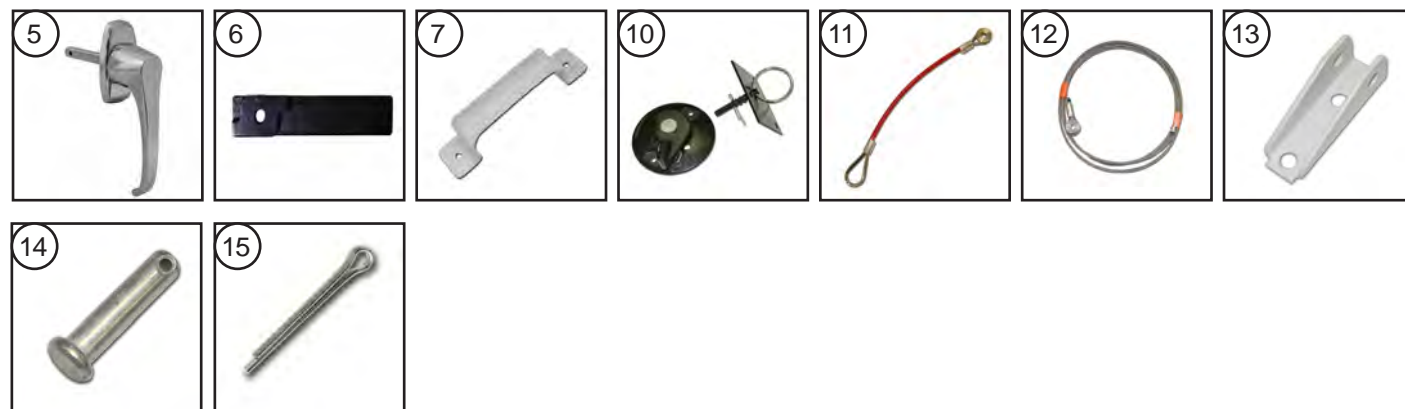


ITEM #	PART #	DESCRIPTION	QTY.	UNIT
1	<a href="#">96741202</a>	TRACK ASSEMBLY UPPER	1	EA
2	<a href="#">45100104</a>	AL CASTING LOWER @ DOOR POST LH	1	EA
3	<a href="#">177041402</a>	PANEL HEADER AL .102X19.49X42.36 LH	1	EA
4	<a href="#">157041400</a>	DOOR POST FORWARD AL 450294X102.43 LH	1	EA
5	<a href="#">45100048</a>	GUSSET AL CASTING HEADER CHANNEL TO D/PST LH	1	EA
6	230041413	PANEL DOOR POCKET AL LH	1	EA
7	<a href="#">210041402</a>	CHANNEL HEADER AL 450256X75 LH	1	EA
8	<a href="#">001741407</a>	REINFORCEMENT A POST AL .125X1.53X8.04 LH	1	EA
9	<a href="#">210041404</a>	STEP NOSE AL 450247X61.29 LH	1	EA
10	<a href="#">47002766</a>	GUIDE NYLON MOULDED LOWER X51.44	1	EA
11	<a href="#">44004060</a>	SEAL BRUSH TYPE C 1.5X82	1	EA
12	<a href="#">44008050</a>	SEAL BRUSH TYPE B 1X83.9	1	EA
13	<a href="#">96741354</a>	COVER DOOR POCKET AL .055X6.75X12.16 LH	1	EA
14	<a href="#">45900001</a>	PLUG WOOD @ RUB RAIL .75X1.12X2.9	1	EA
15	<a href="#">083042400</a>	STIFFENER HEADER AL 450328X74 LH	1	EA
16	<a href="#">96742302</a>	CLIP MOUNTING	1	EA
17	<a href="#">44004104</a>	DOOR SEAL RUBBER X89.25	1	EA

### Side Door Pocket RH

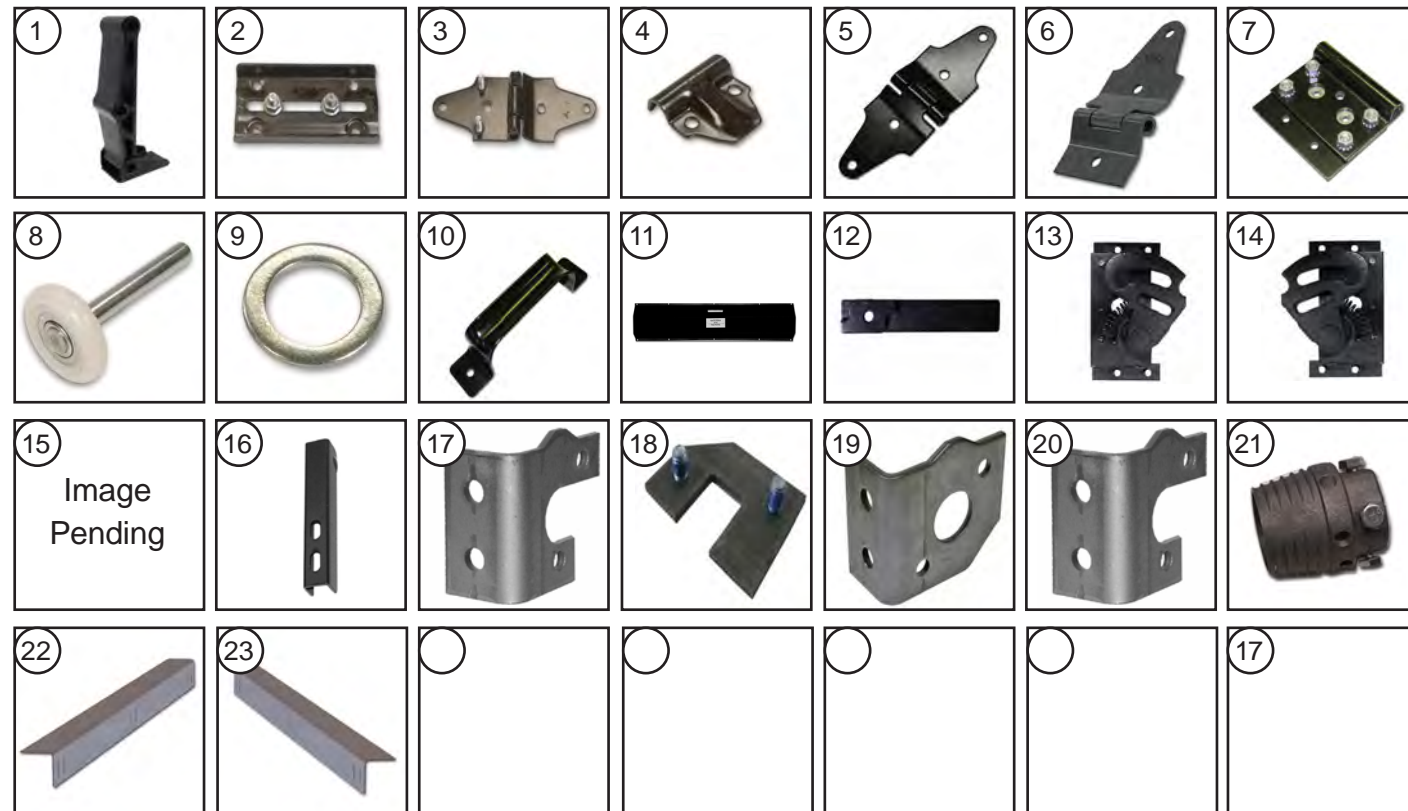


ITEM #	PART #	DESCRIPTION	QTY.	UNIT
1	<a href="#">96741202</a>	TRACK ASSEMBLY UPPER	1	EA
2	<a href="#">45100105</a>	GUSSET AL CASTING LOWER @ DOOR POST RH	1	EA
3	<a href="#">177041403</a>	PANEL HEADER AL .102X19.49X42.36 RH	1	EA
4	<a href="#">157041401</a>	DOOR POST FORWARD AL 450294X102.43 RH	1	EA
5	<a href="#">45100049</a>	GUSSET AL CASTING HEADER CHANNEL TO D/PST RH	1	EA
6	230041414	PANEL DOOR POCKET AL RH	1	EA
7	<a href="#">96741303</a>	CHANNEL HEADER AL 450256X75 RH	1	EA
8	<a href="#">001741408</a>	REINFORCEMENT A POST AL .125X1.53X8.04 RH	1	EA
9	<a href="#">210041405</a>	STEP NOSE AL 450247X61.29 RH	1	EA
10	<a href="#">47002766</a>	GUIDE NYLON DOOR LOWER X51.44	1	EA
11	<a href="#">44004060</a>	SEAL BRUSH TYPE C 1.5X82	1	EA
12	<a href="#">44008050</a>	SEAL BRUSH TYPE B 1X83.9	1	EA
13	<a href="#">96741355</a>	COVER DOOR POCKET AL .055X6.75X12.16 RH	1	EA
14	<a href="#">45900001</a>	PLUG WOOD @ RUB RAIL .75X1.12X2.9	1	EA
15	<a href="#">083042401</a>	STIFFENER HEADER AL 450328X74 RH	1	EA
16	<a href="#">96742302</a>	CLIP MOUNTING	1	EA
17	<a href="#">44004104</a>	DOOR SEAL RUBBER X89.25	1	EA



ITEM #	PART #	DESCRIPTION	QTY.	UNIT
1	Call W/ S/N	BRUSH SEAL HEADER 62"	1	EA
1	Call W/ S/N	BRUSH SEAL TOP CLEAR 62"	1	EA
2	Call W/ S/N	BRUSH SEAL SIDE	2	EA
2	Call W/ S/N	BRUSH SEAL SIDE CLEAR	2	EA
3	<a href="#">44004000</a>	BOTTOM SEAL	1	EA
4	<a href="#">47001084</a>	GRAB HANDLE - AL 25" OFFSET 45°	2	EA
5	<a href="#">47001039</a>	L HANDLE NON LOCKING	1	EA
6	<a href="#">47107278</a>	INSIDE RELEASE HANDLE	1	EA
7	<a href="#">47107279</a>	LIFT HANDLE	2	EA
8	<a href="#">47004512</a>	PULL STRAP 19" LONG 8" LOOP	1	EA
9	<a href="#">47107193</a>	RETAINER BRACKET - PULL STRAP	1	EA
10	<a href="#">47107194</a>	SAFETY CHAIN ASSEMBLY	1	EA
11	<a href="#">47001479</a>	SAFETY CABLE VINYL COATED	1	EA
12	<a href="#">617042</a>	CABLE STAINLESS 115" W/ METAL EYE	2	EA
13	<a href="#">613984</a>	CABLE ANCHOR BRACKET	2	EA
14	<a href="#">47106706</a>	CLEVIS PIN 1/4 - 1"	2	EA
15	<a href="#">47003198</a>	COTTER PIN 1/8" - 3/4"	2	EA
16	<a href="#">43000516</a>	PLACARD	1	EA
	Call W/ S/N	PANEL TOP	1	EA
	Call W/ S/N	PANEL INTERMEDIATE	4	EA
	Call W/ S/N	PANEL INTERMEDIATE 13 X 98-1/4"	3	EA
	Call W/ S/N	PANEL - LOCK PANEL	1	EA
	Call W/ S/N	PANEL BOTTOM	1	EA

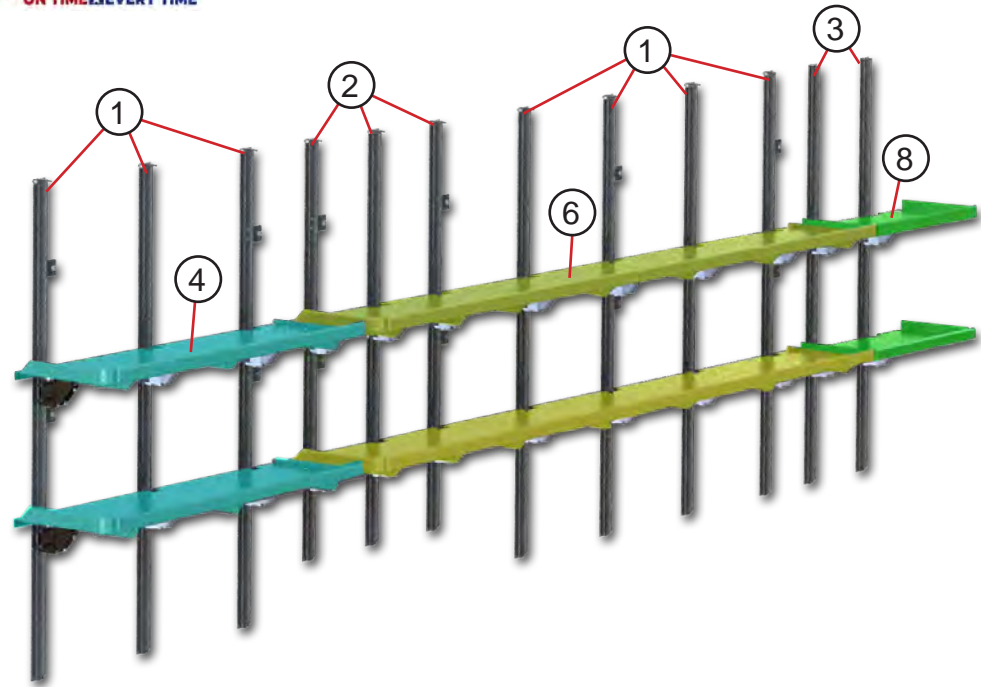
For parts not listed here, please call with your door serial number.  
800.233.4823 N000217409-0-2-1



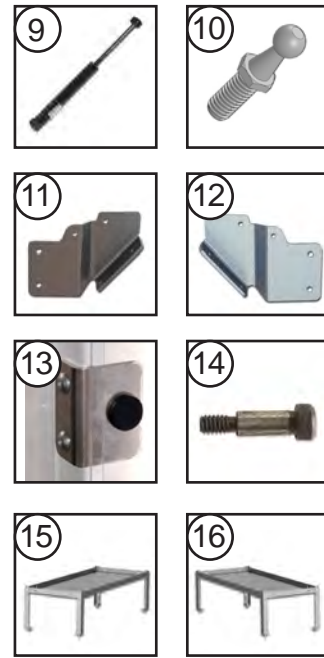
ITEM #	PART #	DESCRIPTION	QTY.	UNIT
1	<a href="#">47107297</a>	TOP CLOSURE ROLLER EXTENSION	2	EA
2	<a href="#">61744</a>	TOP CLOSURE BASE ONLY	2	EA
3	<a href="#">61742</a>	ROLLER HINGE W/ STUDS LIGHT DUTY	12	EA
4	<a href="#">61743</a>	COVER - ROLLER HINGE	12	EA
5	<a href="#">617121</a>	CENTER HINGE LIGHT DUTY	8	EA
6	<a href="#">47107291</a>	CENTER HINGE - SHORT LIGHT DUTY	4	EA
7	<a href="#">47004522</a>	BOTTOM FIXTURE ASSEMBLY	2	EA
8	<a href="#">47107288</a>	ROLLER 2" NYLON 6" STEM	18	EA
9	<a href="#">47106718</a>	ROLLER SPACER WASHER	24	EA
10	<a href="#">47107279</a>	LIFT HANDLE - BLACK - INNER	2	EA
11	Call W/ S/N	CABLE COVER AL	1	EA
12	<a href="#">47107278</a>	INSIDE RELEASE HANDLE	1	EA
13	<a href="#">47003169</a>	END LATCH ROADSIDE	1	EA
14	<a href="#">47003170</a>	END LATCH CURBSIDE	1	EA
15	<a href="#">47107298</a>	LOCK ASSEMBLY	1	EA
16	<a href="#">47003172</a>	PLATE LATCH STRIKER ASSEMBLY	1	EA
17	<a href="#">47003188</a>	BALANCER BRACKET CENTER	1	EA
18	<a href="#">47003189</a>	BALANCER BRACKET CLAMP	1	EA
19	<a href="#">47003186</a>	BALANCER BRACKET ROADSIDE	1	EA
20	<a href="#">47003187</a>	BALANCER BRACKET CURBSIDE	1	EA
21	<a href="#">47001442</a>	WINDING CONE W/ SCREWS	2	EA
22	<a href="#">247130401</a>	MOUNTING ANGLE TRACK HORIZONTAL ROADSIDE	1	EA
23	<a href="#">247130402</a>	MOUNTING ANGLE TRACK HORIZONTAL CURBSIDE	1	EA

For parts not listed here, please call with your door serial number.  
800.233.4823 N000217409-0-2-1

## Shelving

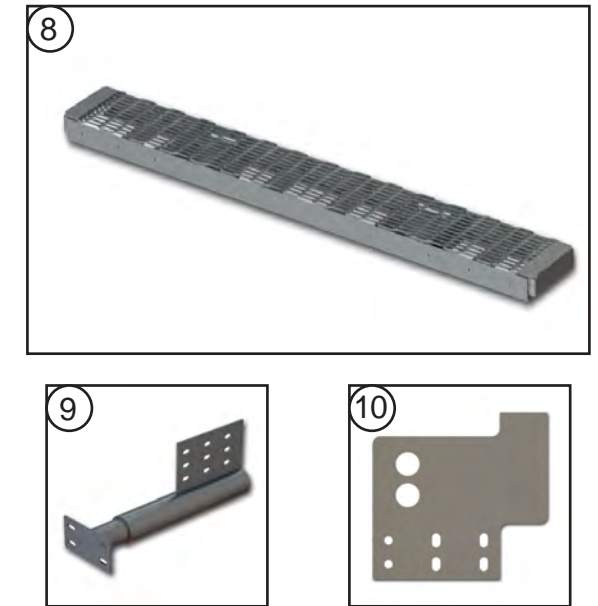
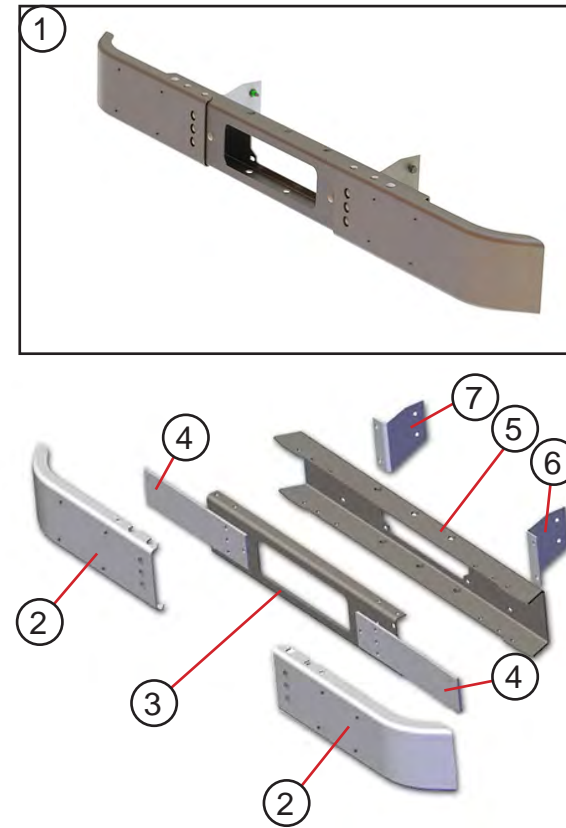


Roadside Shown - Curbside is Mirrored



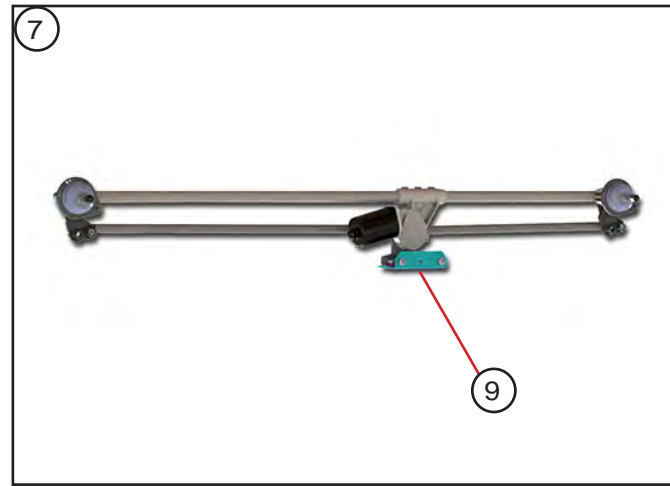
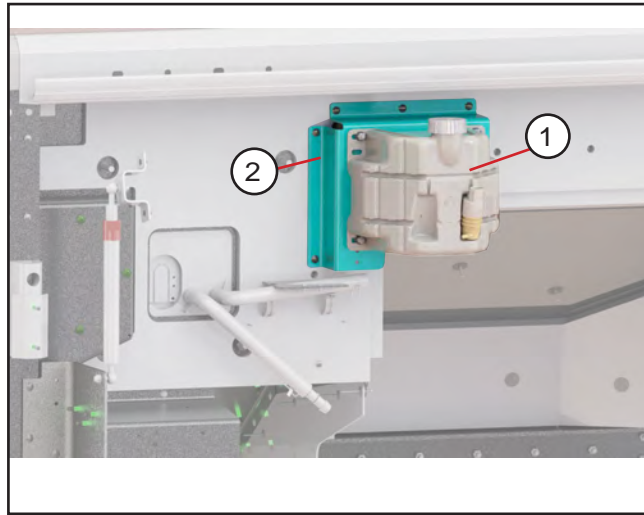
ITEM #	PART #	DESCRIPTION	QTY.	UNIT
1	240048400	STANCHION AL X77.94"	18	EA
2	240048401	STANCHION AL @ WHEEL BOX X69.54"	6	EA
3	<a href="#">230048407</a>	STANCHION AL @ DOOR POCKET X58"	4	EA
4	247106200	SHELF ASSEMBLY FOLDING REAR LH	2	EA
NS	247106201	SHELF ASSEMBLY FOLDING REAR RH	2	EA
6	237106200	SHELF ASSEMBLY FOLDING CENTER LH	2	EA
NS	237106201	SHELF ASSEMBLY FOLDING CENTER RH	2	EA
8	237105200	SHELF ASSEMBLY FOLDING @ DOOR POCKET LH/RH	4	EA
9	<a href="#">126106426</a>	GAS SPRING	24	EA
10	<a href="#">126106427</a>	BALL STUD	48	EA
11	<a href="#">190105411</a>	BRACKET SHELF RH	48	EA
12	<a href="#">190105412</a>	BRACKET SHELF LH	48	EA
13	<a href="#">150106202</a>	RUBBER BUMPER KIT	24	EA
14	<a href="#">47006191</a>	SHOULDER BOLT	48	EA
15-16	247126200	TRAYS @ WHEEL BOX (1-EA LH/RH TRAY ASSEMBLIES)	1	EA

## Bumpers



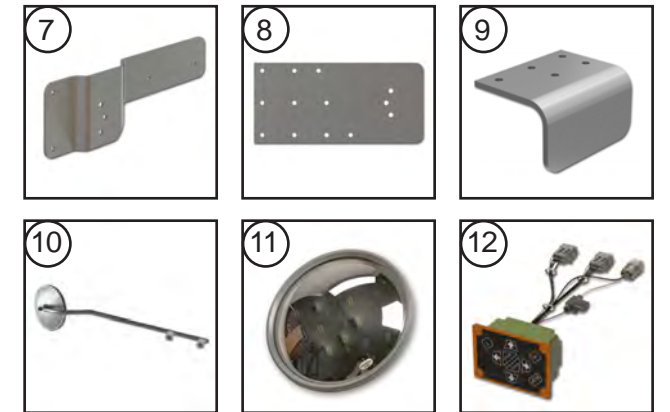
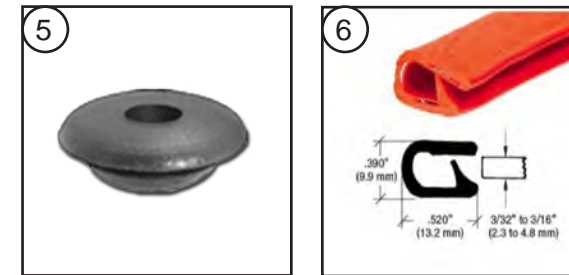
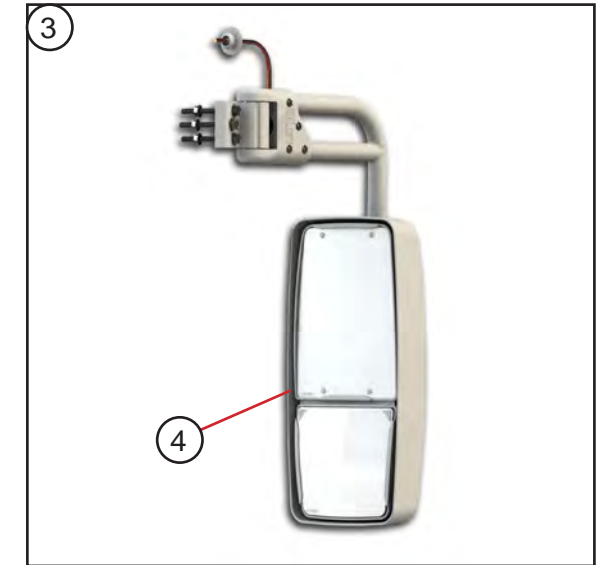
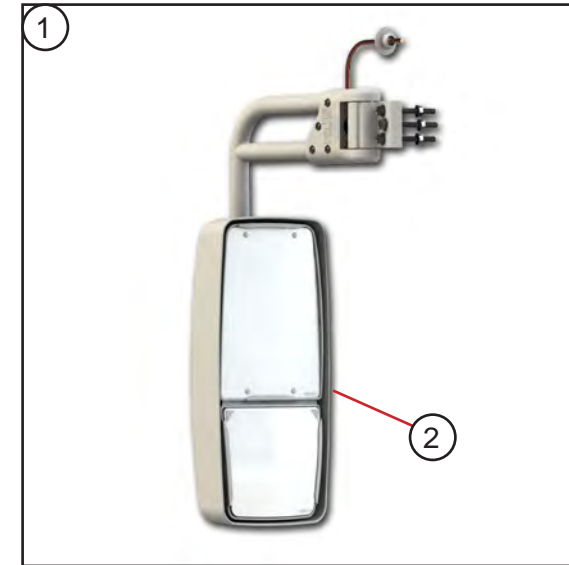
ITEM #	PART #	DESCRIPTION	QTY.	EA
1	<a href="#">248008000</a>	FRONT BUMPER INSTALLATION 88W	1	EA
2	<a href="#">197008200</a>	OUTER BUMPER CHANNEL ASSEMBLY	2	EA
3	<a href="#">167008402</a>	CHANNEL BUMPER STEEL 7GA	1	EA
4	<a href="#">155008417</a>	BUMPER LEAF SPRING STEEL .375X5X22	2	EA
5	<a href="#">167008401</a>	CHANNEL BUMPER REAR STEEL .25X14.91X55.09	1	EA
6	<a href="#">167008403</a>	BRACKET BUMPER MOUNT STL 7GAX8.12X8.32 LH	1	EA
7	<a href="#">167008404</a>	BRACKET BUMPER MOUNT STL 7GAX8.12X8.32 RH	1	EA
8	<a href="#">240057202</a>	BUMPER REAR 10" 88W	1	EA
9	<a href="#">003057200</a>	MOUNT BUMPER SHOCK LH/RH	2	EA
10	<a href="#">238007470</a>	HANGER PLATE	2	EA

## WIPERS



ITEM #	PART #	DESCRIPTION	QTY.	UNIT
1	<a href="#">47004507</a>	WINDSHIELD WASHER RESERVOIR W/PUMP	1	EA
2	<a href="#">210063400</a>	BRACKET WINDSHIELD RESERVOIR	1	EA
3	<a href="#">47004205</a>	WIPER ARM - WET 20"	2	EA
4	<a href="#">47004134</a>	WIPER BLADE 24"	2	EA
5	<a href="#">1101694</a>	TEE WINDSHIELD WASHER	1	EA
6	<a href="#">1107122</a>	HOSE WINDSHIELD WASHER	12	FT
7	<a href="#">47004229</a>	WIPER SYSTEM TUBULAR 2 PIVOT 86/88W	1	EA
NS	<a href="#">N/A</a>	MOTOR (NON SERVICEABLE)	1	EA
9	<a href="#">220055408</a>	BRACKET WIPER MOTOR	1	EA
10	<a href="#">46021115</a>	CLIP BODY LARGE PAN	1	EA
11	<a href="#">47004271</a>	WET KIT FOR WIPER ARM (SPRAY NOZZLE & HOSE)	2	EA
12	<a href="#">47004272</a>	RETAINING CLIP HOSE	2	EA

## MIRRORS

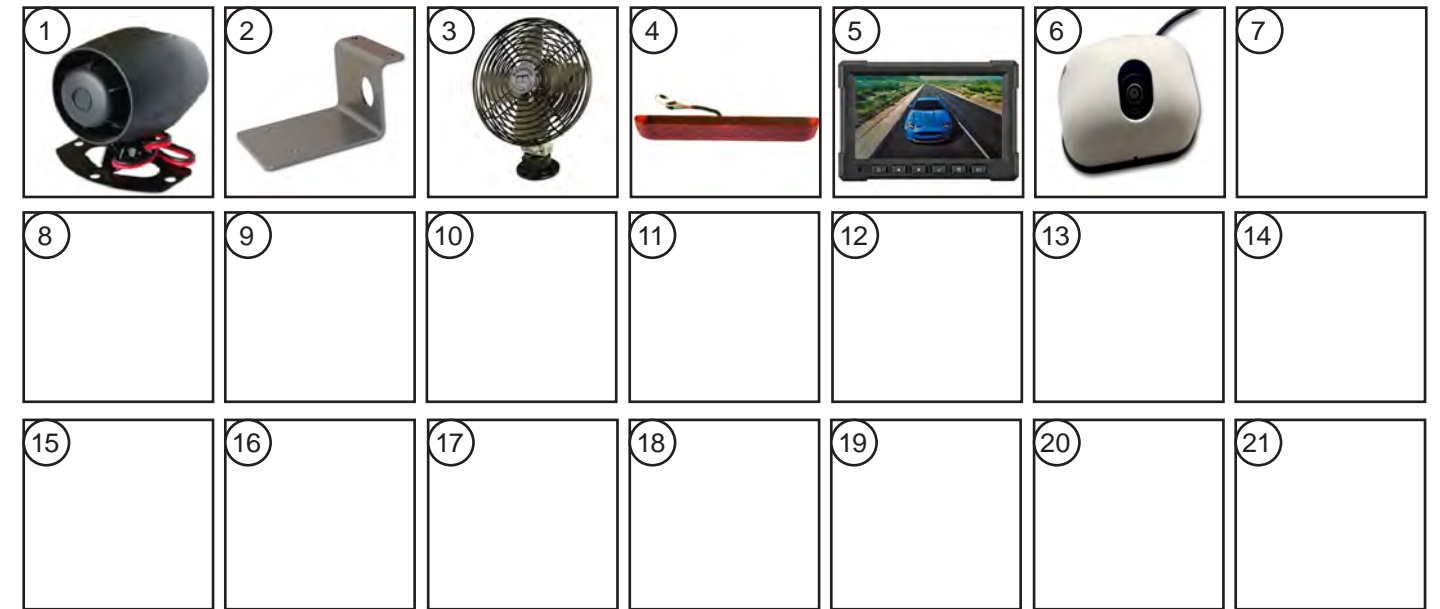


ITEM #	PART #	DESCRIPTION	QTY	UNIT
1	<a href="#">47006373</a>	MIRROR ASSEMBLY LH BLACK HEATED	1	EA
2	<a href="#">47107197</a>	MIRROR HEAD ONLY - LH	-	EA
3	<a href="#">47006374</a>	MIRROR ASSEMBLY RH BLACK HEATED	1	EA
4	<a href="#">47107198</a>	MIRROR HEAD ONLY - RH	-	EA
5	<a href="#">11007087</a>	GROMMET .313X.063X.188	4	EA
6	<a href="#">44009079</a>	TRIM QUICK EDGE ORANGE	7.82	FT
7	<a href="#">198142400</a>	BRACKET - MIRROR MOUNT LH	1	EA
8	<a href="#">158142403</a>	BRACKET - MIRROR MOUNT RH	1	EA
9	<a href="#">158142404</a>	BRACKET - MIRROR RH	1	EA
10	<a href="#">47005099</a>	MIRROR FRONT SIDE VIEW 10"	1	EA
11	<a href="#">81600095</a>	MIRROR HEAD ONLY CONVEX 10.75"	1	EA
12	<a href="#">47006375</a>	SWITCH (CONTROL ASSEMBLY) MIRRORS	1	EA





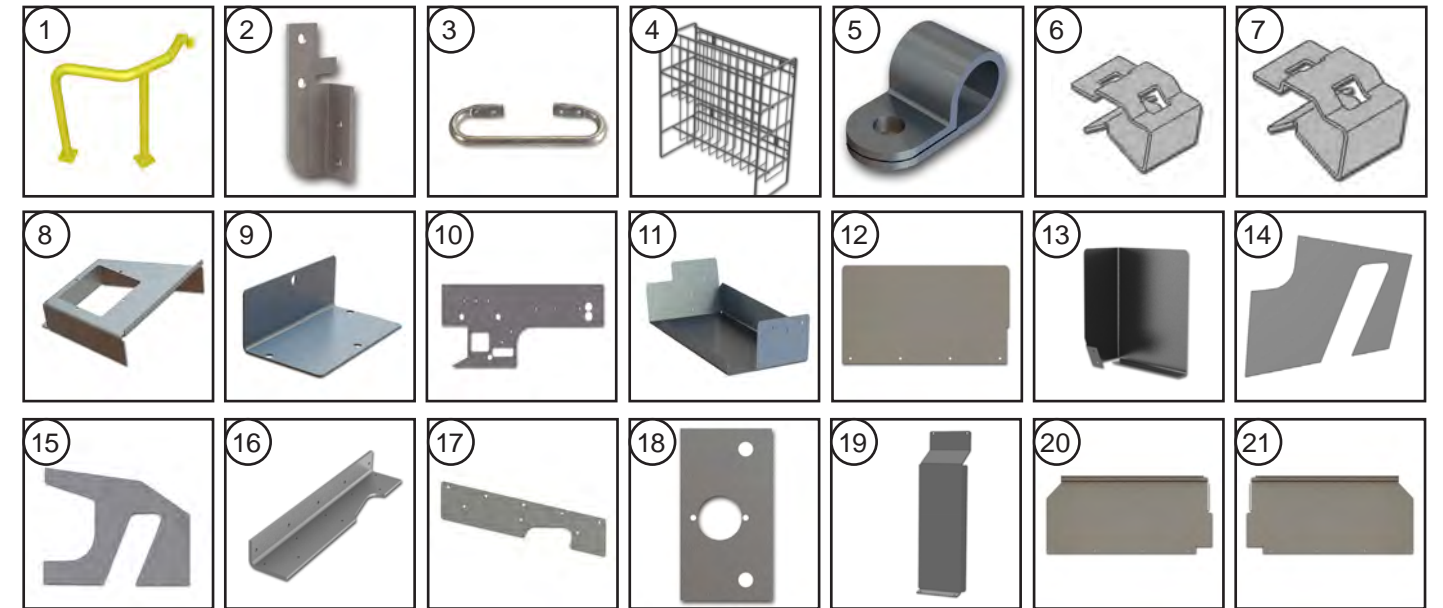
ITEM #	PART #	DESCRIPTION	QTY.	UNIT
1	<a href="#">46000210</a>	HEADLAMP BASKET ASSEMBLY	2	EA
2	<a href="#">46000208</a>	HEADLAMP LED	2	EA
3	<a href="#">46001388</a>	LAMP CLEARANCE MARKER RED LED PC	7	EA
4	<a href="#">46001382</a>	LAMP CLEARANCE MARKER AMBER LED PC P2	2	EA
4	<a href="#">46001339</a>	LAMP CLEARANCE MARKER AMBER LED PC	4	EA
4	<a href="#">46001395</a>	LAMP CLEARANCE MARKER AMBER LED PC	6	EA
4	<a href="#">46001391</a>	LAMP CLEARANCE MARKER CENTER AMBER LED PC	1	EA
5	<a href="#">46001440</a>	LAMP BACK UP LED	2	EA
6	<a href="#">46002222</a>	LAMP REAR COMB TAIL/TURN LED	4	EA
7	<a href="#">46004402</a>	GROMMET ROUND BLACK 4IN LAMP	6	EA
8	46002224	LAMP DOME 1-CAB / 3-CARGO	4	EA
9	<a href="#">46000615</a>	LAMP PARK TURN LED FRONT	2	EA
10	<a href="#">46004403</a>	GROMMET OBLONG	2	EA
11	<a href="#">47009642</a>	LAMP LED CLEAR LICENSE PLATE	2	EA
12	<a href="#">46023532</a>	SWITCH ROCKER DOME LAMP CAB SPST ON-OFF	1	EA
13	<a href="#">46023541</a>	SWITCH ROCKER DOME LAMP CARGO SPDT ON-OFF	1	EA
14	<a href="#">46029062</a>	SWITCH ROCKER AUX HEATER SPDT ON-OFF-ON	1	EA
15	<a href="#">46029061</a>	SWITCH ROCKER DASH FAN	1	EA
16	<a href="#">46023511</a>	SWITCH ROCKER DOOR UNLOCK	1	EA
17	<a href="#">46023544</a>	SWITCH ROCKER PASSENGER DOOR UNLOCK	1	EA
18	<a href="#">46023543</a>	SWITCH ROCKER DRIVER DOOR UNLOCK	1	EA
19	<a href="#">46025305</a>	SWITCH MAGNETIC OPEN LOOP	1	EA
19	<a href="#">46025313</a>	SWITCH MAGNETIC OPEN LOOP	1	EA
20	<a href="#">207094400</a>	BRACKET - MAGNETIC SWITCH	1	EA
21	<a href="#">207094401</a>	BRACKET - MAGNETIC SWITCH	1	EA



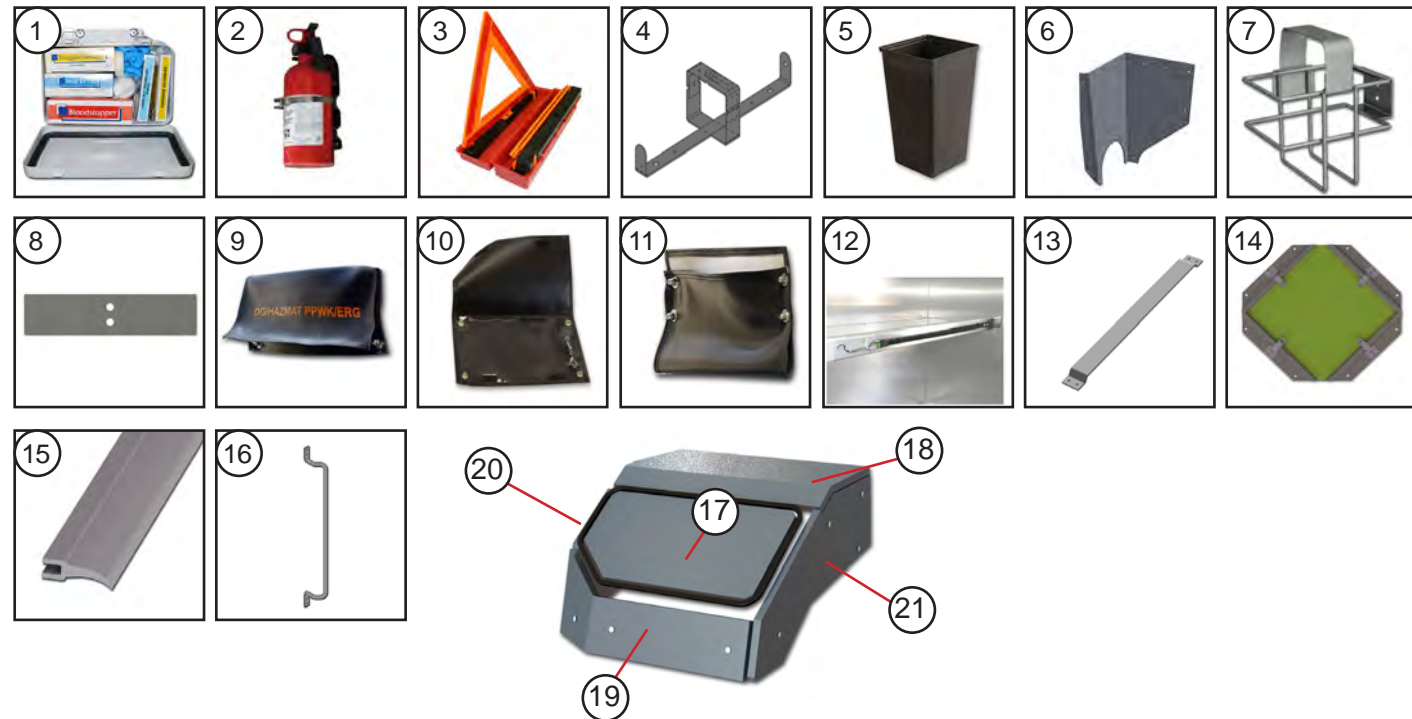
ITEM #	PART #	DESCRIPTION	QTY.	UNIT
1	<a href="#">46029081</a>	SIREN 6-TONE 12V 25W 108dB	1	EA
2	247085400	PLATE MOUNTING - SIREN AL .102X3.5X7.48	1	EA
3	<a href="#">46030014</a>	FAN 2 SPEED 270 CFM	1	EA
4	<a href="#">46001905</a>	LAMP CENTER HIGH MOUNT	1	EA
5	<a href="#">48200266</a>	MONITOR 7"	1	EA
6	<a href="#">48200343</a>	CAMERA - FRONT & SIDES	3	EA
6	<a href="#">48200344</a>	CAMERA - REAR	1	EA



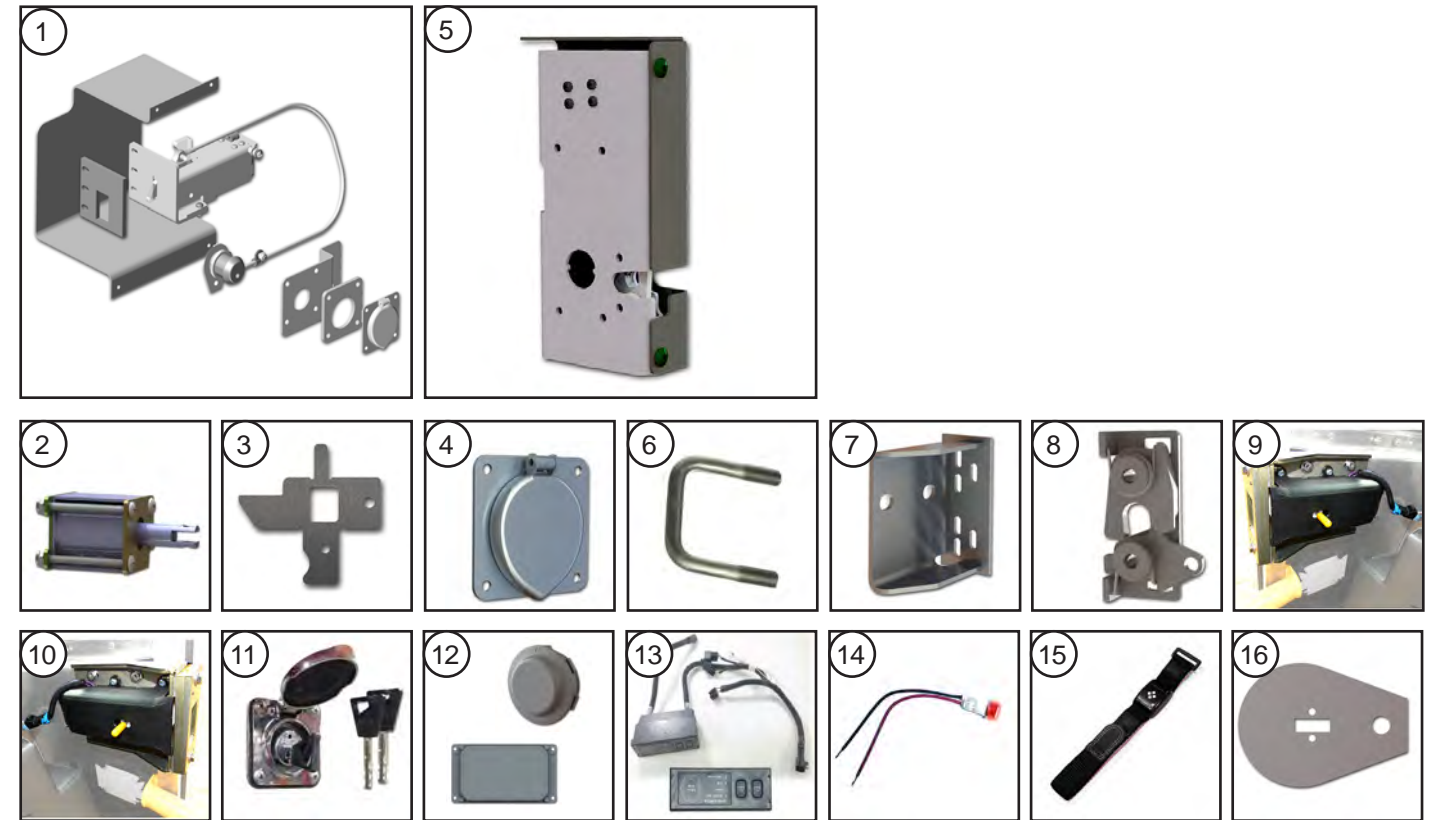
ITEM #	PART #	DESCRIPTION	QTY.	UNIT
1	<a href="#">46025017</a>	REFLECTOR RED	4	EA
2	<a href="#">46025018</a>	REFLECTOR AMBER	2	EA
3	<a href="#">102084499</a>	BRACKET FUSE BOX AL .102X4X12.78	1	EA
4	<a href="#">173092401</a>	COVER FUSE BOX AL .102X4X4.13	1	EA
5	<a href="#">1107109</a>	GROMMET 0.375X0.125X.0625	2	EA
6	<a href="#">1107324</a>	GROMMET .625X.25X.875	1	EA
7	44000052	GROMMET 1X.125X1.3125	2	EA
8	<a href="#">47005504</a>	SUN VISOR	2	EA
9	<a href="#">237300400</a>	LABEL FUSE BLOCK LH	1	EA
10	237300401	LABEL FUSE BLOCK RH	1	EA
11	<a href="#">47009653</a>	CENTER CONSOLE	1	EA
12	<a href="#">47000688</a>	HANDLE SIDE DOOR NON LOCKING PADDLE TYPE	2	EA
13	<a href="#">47009706</a>	SUPPORT MUD FLAPS	1	PR
14	<a href="#">1107308</a>	MUD FLAP 20X24 NO LOGO	1	PR
15	<a href="#">7504428</a>	RETAINER BRACKET - MUD FLAPS	2	EA
16	<a href="#">80795014</a>	ANGLE - RETAINER	2	EA
17	<a href="#">47008558</a>	AUXILIARY HEATER	1	EA
18	247080401	BRACKET - AUX HEATER AL	1	EA
19	<a href="#">82093014</a>	BRACKET UPRIGHT - SPARE TIRE	1	EA
20	<a href="#">1113047</a>	HANDLE - SPARE TIRE	1	EA
21	<a href="#">168127402</a>	CLAMP - SPARE TIRE STEEL .25 X 12 X 8.04	1	EA
NS	<a href="#">7900920</a>	THREADED ROD .5-13 X 4.5" STEEL	1	EA



ITEM #	PART #	DESCRIPTION	QTY.	UNIT
1	<a href="#">47001070</a>	GRAB RAIL - ENTRY POWERCOAT YELLOW	1	EA
2	<a href="#">217005413</a>	ANGLE ATTACH - GRAB RAIL	1	EA
3	<a href="#">90187301</a>	GRAB HANDLE AL .5DIA 5X10	1	EA
4	<a href="#">47009599</a>	BASKET ORGANIZER P700	1	EA
5	<a href="#">46021104</a>	CLASP	1	EA
6	<a href="#">46021114</a>	CLIP BODY MED	2	EA
7	<a href="#">46021115</a>	CLIP BODY LARGE	2	EA
8	<a href="#">217005438</a>	BRACKET FRESH AIR INTAKE AL	1	EA
9	<a href="#">217005439</a>	COVER PLATE - AIR INTAKE AL	1	EA
10	227116401	INSULATION DASH WALL	1	EA
11	<a href="#">248024406</a>	COVER BATTERY AL	1	EA
12	<a href="#">248024407</a>	SPLASH SHIELD BATTERY AL	1	EA
13	<a href="#">248024402</a>	BRACKET GUARD - BATTERY AL	1	EA
14	<a href="#">118026407</a>	SHIELD VINYL LH	1	EA
15	<a href="#">118026408</a>	SHIELD VINYL RH	1	EA
16	248026400	ANGLE BRACKET GUARD AL 1100482X17	1	EA
17	248026401	PLATE SUPPORT GUARD AL .102X3.43X17.93	1	EA
18	<a href="#">240111400</a>	PLATE MOUNTING HEATER	1	EA
19	<a href="#">177080400</a>	GUARD BRACKET HEATER AL	1	EA
20	240019401	PANEL LINER LH (ABOVE WINDOW) AL	1	EA
21	240019402	PANEL LINER RH (ABOVE WINDOW) AL	1	EA
NS	<a href="#">470019401</a>	CARPET GREY - LINER (ABOVE WINDOWS)	4	FT



ITEM #	PART #	DESCRIPTION	QTY.	UNIT
1	<a href="#">47009574</a>	FIRST AID KIT	1	EA
2	<a href="#">47009657</a>	FIRE EXTINGUISHER 2.5 LB	1	EA
3	<a href="#">47009547</a>	TRIANGLE KIT	1	EA
4	<a href="#">47009548</a>	BRACKET FOR TRIANGLE KIT	1	EA
5	<a href="#">45200051</a>	TRASH RECEPTICLE	1	EA
6	<a href="#">077240433</a>	BRACKET FOR TRASH RECEPTICLE AL	1	EA
7	<a href="#">47009598</a>	BASKET - PRINTER	1	EA
8	197127400	CAB BASKET CNSL AL	1	EA
9	<a href="#">47009199</a>	POUCH - VINYL HAZMAT	1	EA
10	<a href="#">47009240</a>	POUCH - DRIVER INFO	1	EA
11	<a href="#">47009241</a>	POUCH - REGISTRATION VINYL OPEN TOP	1	EA
12	<a href="#">47006146</a>	STRAP HAND CART	1	EA
13	<a href="#">165127401</a>	CATCH HAND CART	1	EA
14	<a href="#">43000515</a>	PLACARD FLIP - SPT	1	EA
14	43000514	PLACARD FLIP - SOL	3	EA
15	<a href="#">44004002</a>	TRIM - DRIP RAIL	7.75	FT
16	<a href="#">47001084</a>	GRAB HANDLE OFFSET	4	EA
17	<a href="#">188028404</a>	INSULATION ENGINE BOX LID 13.88X27.63	1	EA
18	<a href="#">188028405</a>	INSULATION ENGINE BOX TOP 13.89X32.42	1	EA
19	<a href="#">188028406</a>	INSULATION ENGINE BOX FRT 12.23X31.3	1	EA
20	<a href="#">188028407</a>	INSULATION ENGINE BOX SI 17.38X25.3 LH	1	EA
21	<a href="#">188028408</a>	INSULATION ENGINE BOX SI 17.54X29.8 RH	1	EA



ITEM #	PART #	DESCRIPTION	QTY.	UNIT
1	<a href="#">247147203</a>	KEYLESS LOCK ASSEMBLY @ REAR DOOR	1	EA
2	<a href="#">137147400</a>	SOLENOID OPEN FRAME PULL TYPE	1	EA
3	<a href="#">137147403</a>	STRIKER STEEL	1	EA
4	<a href="#">136060401</a>	RECEPTICAL W/ DUST COVER	1	EA
5	<a href="#">237147200</a>	KEYLESS LOCK ASSEMBLY @ BULKHEAD DOOR	1	EA
6	<a href="#">40300937</a>	U-BOLT	1	EA
7	<a href="#">237147204</a>	STRIKER BRACKET - BULKHEAD DOOR	1	EA
8	<a href="#">45700205</a>	LATCH ROTARY	1	EA
9	<a href="#">46029041</a>	KEYLESS LOCK ASSEMBLY LH	1	EA
10	<a href="#">46029042</a>	KEYLESS LOCK ASSEMBLY RH	1	EA
11	<a href="#">47000993</a>	ABLOY LOCK CYLINDER W/ 2 KEYS	3	EA
12	<a href="#">46029077</a>	KEYLESS RFID KIT (ANTENNA / READER / WRIST BANDS X3)	1	EA
13	<a href="#">46029079</a>	MODULE - KEYLESS START	1	EA
14	<a href="#">46003020</a>	LAMP - DOOR OPEN INDICATOR	1	EA
15	<a href="#">46029021</a>	REPLACEMENT WRIST BAND (SINGLE)	-	EA
16	40900011	LOCK CAM - @ REAR DOOR KEYLESS LOCK	1	EA
16	40900012	LOCK CAM - @ SIDE DOOR RH	1	EA



REV.	DESCRIPTION	DATE	SHT
082091200	RELEASE FOR PRODUCTION		1 OF 1

10. SEALED CONNECTORS AS NOTED TO BE GREASED WITH TRUCK-LITE NYK-77 COMPOSITION PREVENTATIVE COMPOUND OR EQUIV.
9. THIS IS A PURCHASED HARNESS. NO BILL OF MATERIAL EXISTS.
8. VENDOR TO REPLACE PIGTAILS WITH WIRING TO APPROVED MOLDINGS OR SHOWING CHAIN WIRE. VENDOR PART NUMBER SHOWN FOR REFERENCE ONLY.
7. HARNESS TO BE TESTED FOR CONTENT OPENS, SHORTS, AND CONTINUITY.
6. CONNECTORS SHOWN FROM WIRE ENTRY SIDE UNLESS OTHERWISE NOTED.
5. SPLICES TO BE AUTOMATED WITH HEAT SHRINK TUBING.
4. TAPE [1111098]: 6" AT BREAKOUTS AND 2" AT LOOM ENDS.
3. HARNESS TO HAVE A LABEL WITH NUMBER, REVISION LEVEL, AND DATE OF MANUFACTURE.
2. SPLIT POLY LOOM UNLESS OTHERWISE NOTED.
1. GXL WIRE.

NOTES:

PROPRIETARY

This drawing and the information and data contained herein are the property of Morgan Olson and shall be kept confidential. No part of this drawing may be reproduced or transmitted in any form or by any means, electronic, mechanical, photocopying, recording, or by any information storage and retrieval system, without the prior written consent of Morgan Olson.

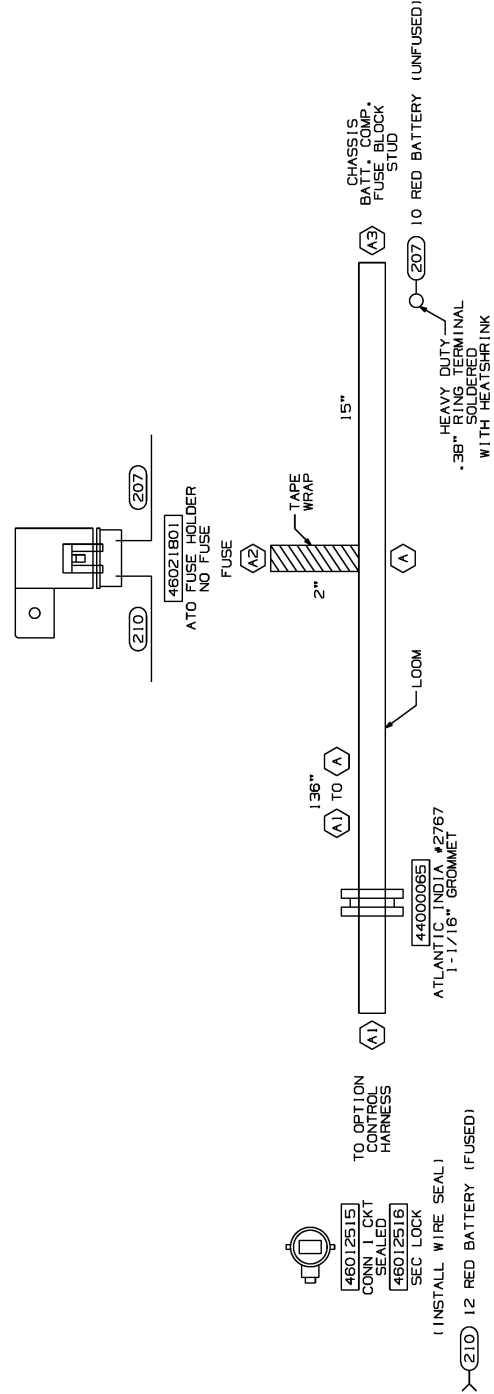


GENERAL STANDARDS UNLESS OTHERWISE NOTED: .0001 .010
1. DIMENSIONS: .015 .0005 .015 .0005
2. DIMENSIONS: .015 .0005 .015 .0005
3. DIMENSIONS: .015 .0005 .015 .0005
4. DIMENSIONS: .015 .0005 .015 .0005
DATE: 09JAN08
DFW: DFW
DATE: 08-0010
09JAN08
09JAN08
DO NOT SCALE
NAME: HARN-PWR, OPTION, FROM BATT
DRAWING NO.: 082091200
SHT: 1 OF 1
SCALE: NONE
REV:

BASED ON:  
074083201

HARNESS AND LOOM TOLERANCES

- UP TO 60" : -0/+2"
  - 60" TO 100" : -0/+4"
  - 100" TO 200" : -0/+5"
  - 200" TO 400" : -0/+6"
  - 400" TO 600" : -0/+7"
  - OVER 600" : -0/+8"
  - BO TO BO : -0/+2"
- TOLERANCE IS NOT ACCUMULATIVE. LENGTH APPLICABLE TO OVERALL HARNESS LENGTH, BREAKOUT TO END, OR LOOM.



CIRCUIT	GAUGE/COLOR	END POINTS	FUNCTION
207	10 RED	A2, A3	BATTERY (UNFUSED)
210	12 RED	A1, A2	BATTERY (FUSED)

REV.	DESCRIPTION	DATE	SHT
88117437	RELEASE TO PRODUCTION		1 OF 1

8. VENDOR MAY REPLACE PIGTAILS WITH WIRING TO APPROVED MOLDINGS OR CONNECTORS. PIGTAILS SHOWN IN TERMINAL VIEW.
7. HARNESS TO BE TESTED FOR CONTENT OPENS, SHORTS, AND CONTINUITY.
6. CONNECTORS SHOWN FROM WIRE ENTRY SIDE UNLESS OTHERWISE NOTED.
5. SPLICES TO BE AUTOMATED WITH HEAT SHRINK TUBING. SPLICES ARE ACCEPTABLE FOR GO FABRICATION IF NECESSARY.
4. TAPE [1111098]: 6" AT BREAKOUTS AND 2" AT LOOM ENDS.
3. HARNESS TO HAVE A LABEL SHOWING GRUHAM OLSON PART NUMBER, REVISION LEVEL, AND DATE OF MANUFACTURE.
2. SPLIT POLY LOOM UNLESS OTHERWISE NOTED.
1. GXL WIRE.

NOTES:

PROPRIETARY

This drawing and the information and data contained herein are the property of Morgan Olson and shall be kept confidential. No part of this drawing may be reproduced or transmitted in any form or by any means, electronic, mechanical, photocopying, recording, or by any information storage and retrieval system, without the prior written consent of Morgan Olson.

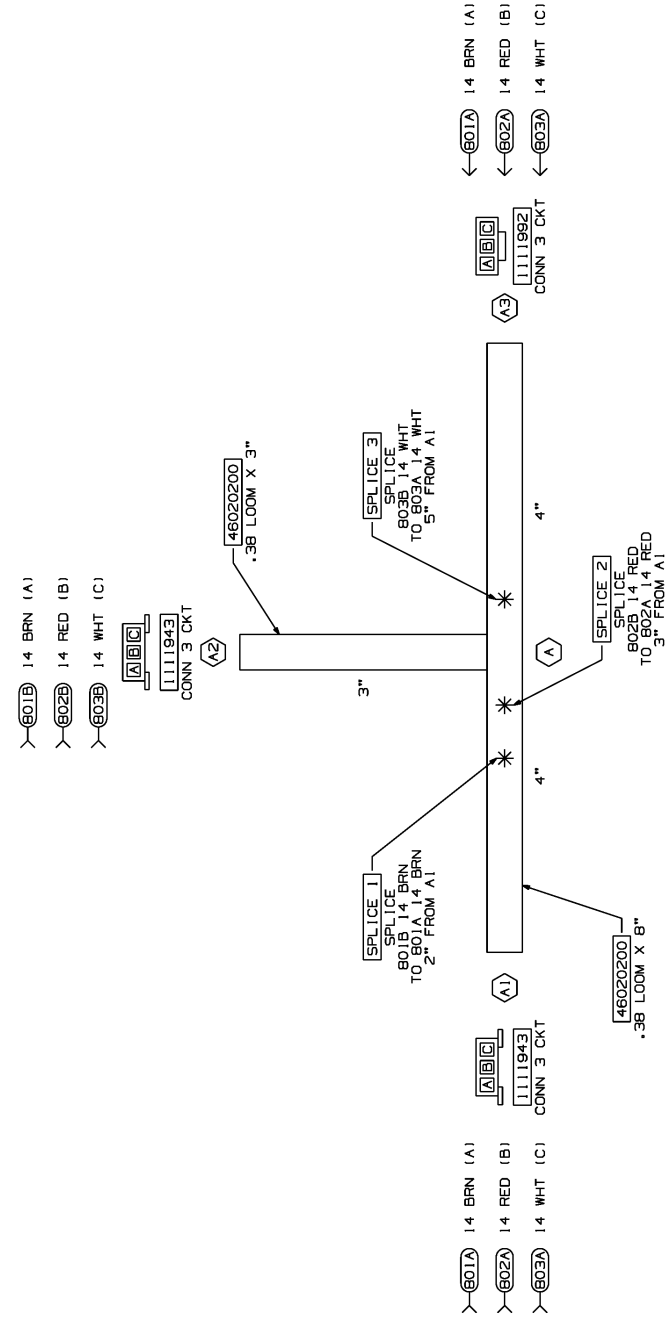


GENERAL STANDARDS UNLESS OTHERWISE NOTED: .0001 .010
1. DIMENSIONS: .015 .0005 .015 .0005
2. DIMENSIONS: .015 .0005 .015 .0005
3. DIMENSIONS: .015 .0005 .015 .0005
4. DIMENSIONS: .015 .0005 .015 .0005
DATE: 27FEB02
SEH: SEH
DATE: 28FEB02
DO NOT SCALE
NAME: JUMPER-HARN TEE-GENERIC
DRAWING NO.: 88117437
SHT: 1 OF 1
SCALE: NONE
REV:

HARNESS AND LOOM TOLERANCES

- UP TO 60" : -0/+2"
  - 60" TO 100" : -0/+4"
  - 100" TO 200" : -0/+5"
  - 200" TO 400" : -0/+6"
  - 400" TO 600" : -0/+7"
  - OVER 600" : -0/+8"
  - BO TO BO : -0/+2"
- TOLERANCE IS NOT ACCUMULATIVE. LENGTH APPLICABLE TO OVERALL HARNESS LENGTH, BREAKOUT TO END, OR LOOM.

CIRCUIT	DESCRIPTION	END POINTS	FUNCTION
B01A	14 BRN 008 1111944 OE 46018504	A1, A3	GENERIC
B01B	14 BRN 005 1111944 OE STR .25	A2, SPLICE 1	GENERIC
B02A	14 RED 008 1111944 OE 46018504	A1, A3	GENERIC
B02B	14 RED 004 1111944 OE STR .25	A2, SPLICE 2	GENERIC
B03A	14 WHT 008 1111944 OE 46018504	A1, A3	GENERIC
B03B	14 WHT 004 1111944 OE STR .24	A2, SPLICE 3	GENERIC



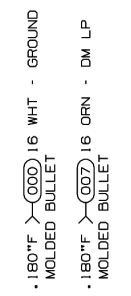
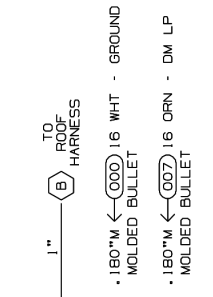
DRAWING NO.	REV	SHT
090093202	A	1 OF 1
DESCRIPTION	BY	DATE
RELEASE FOR PRODUCTION	JMS	1/20/14
80" WAS 64"		

- THIS IS A PURCHASED PART. FULL OF MATERIAL EXISTS.
- VENDOR MAY REPLACE PARTS WITH OTHERS. APPROVES MORGAN OLSON CONNECTORS. PICTALS SHOWN IN TERMINAL VIEW.
- HARNESS TO BE TESTED FOR CONTINUITY, SHORTS, AND CONTINUITY.
- CONNECTORS SHOWN FROM THE ENTRY SIDE, UNLESS OTHERWISE NOTED.
- SPLICES TO BE AUTOMATED WITH SOLDER, AND ADHESIVE LINED HEAT SHRINK TUBING.
- TAPE (1111096) 6" AT BREAKOUTS, 2" AT 18" INTERVALS FOR UNINTERRUPTED LOOM LENGTHS GREATER THAN 24", AND 2" AT LOOM ENDS.
- HARNESS TO HAVE A LABEL SHOWING MORGAN OLSON PART NUMBER, REVISION NUMBER, AND DATE OF MANUFACTURE.
- SPLIT POLY LOOM UNLESS OTHERWISE NOTED.
- GXL WIRE.

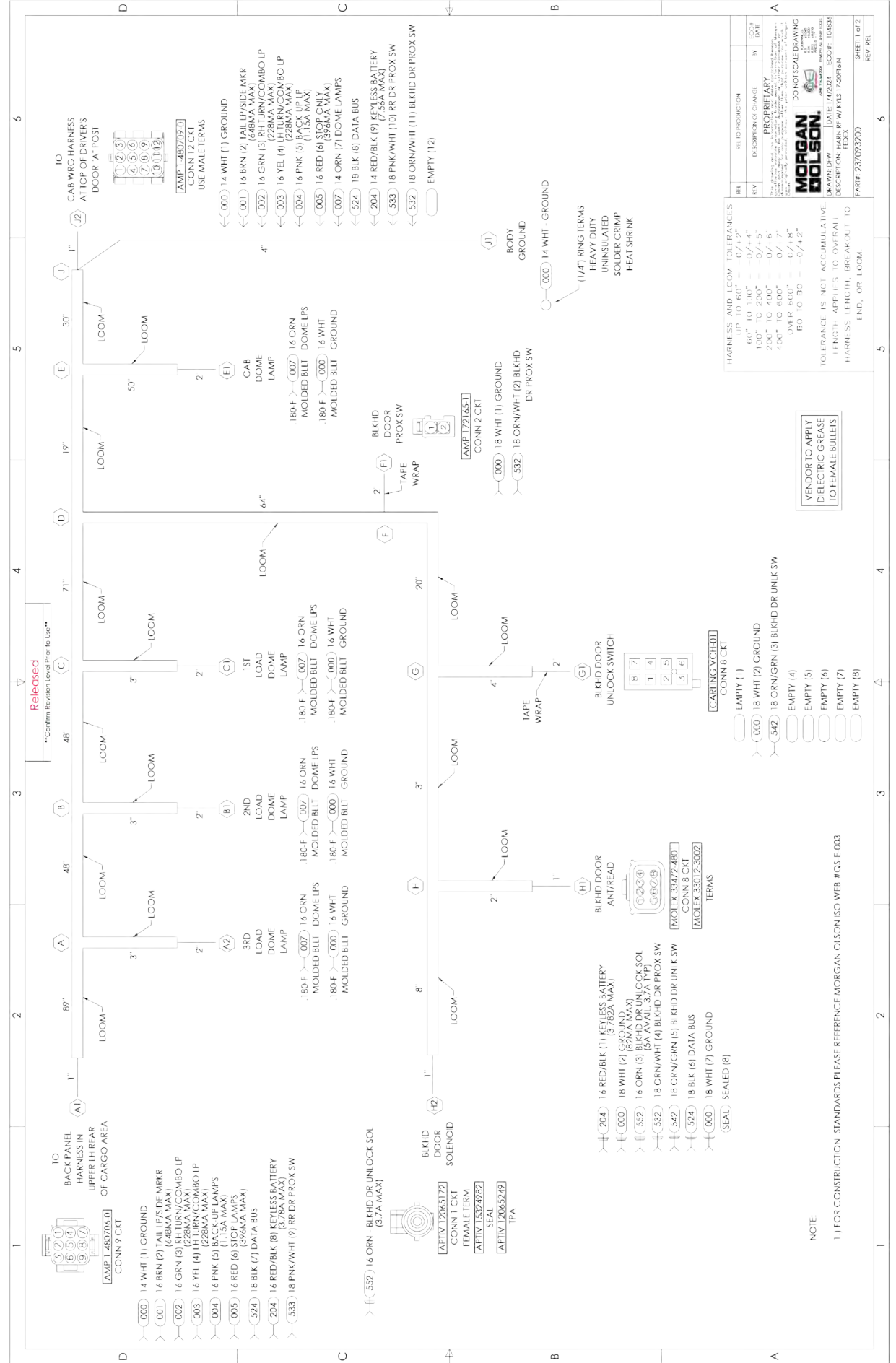
<b>PROPRIETARY</b>	
This drawing is the property of Morgan Olson. It is to be used for the production of parts only. It is not to be reproduced, copied, or distributed without the prior written consent of Morgan Olson.	
<b>MORGAN OLSON</b>	
DATE	REV
260CT09	260CT09
DATE	REV
260CT09	260CT09
DO NOT SCALE	
NAME	HARN_JPR CRG_D/LP GEN -160BLLT
SHT	SCALE
1 OF 1	NONE
REV	A

<b>HARNESS AND LOOM TOLERANCES</b>	
UP TO 60"	= -0/+2"
60" TO 100"	= -0/+4"
100" TO 200"	= -0/+5"
200" TO 400"	= -0/+6"
400" TO 600"	= -0/+7"
OVER 600"	= -0/+8"
BO TO BO	= -0/+2"

FIRST USE: 160" TO 100" WIRE OR BREAKOUT TO ENTRY SIDE OF CONNECTOR, OR END OF COVER.



FEMALE BULLET TERMINALS TO BE GREASED



REV	BY	DATE
	JMS	1/20/14
DESCRIPTION: HARN_JPR CRG_D/LP GEN -160BLLT		
PART: 237093200		

<b>HARNESS AND LOOM TOLERANCES</b>	
UP TO 60"	= -0/+2"
60" TO 100"	= -0/+4"
100" TO 200"	= -0/+5"
200" TO 400"	= -0/+6"
400" TO 600"	= -0/+7"
OVER 600"	= -0/+8"
BO TO BO	= -0/+2"

TOLERANCE IS NET ACCUMULATIVE LENGTH. APPLIES TO OVERALL HARNESS LENGTH, BREAKOUT TO END, OR LOOM

<b>VENDOR TO APPLY DIELECTRIC GREASE TO FEMALE BULLETS</b>	
EMPTY (1)	000
EMPTY (2)	342
EMPTY (3)	000
EMPTY (4)	000
EMPTY (5)	000
EMPTY (6)	000
EMPTY (7)	000
EMPTY (8)	000

<b>TERMS</b>	
16 RED/BLK (1) (5782A MAX)	204
18 WHT (2) GROUND	000
16 GRN (3) (5782A MAX)	552
16 YEL (4) (5782A MAX)	532
16 ORN/GRN (5) BKHD DR UNLK SW	524
18 ORN/GRN (6) BKHD DR UNLK SW	000
18 BLK (7) GROUND	532
18 WHT (8) GROUND	000

<b>TERMS</b>	
16 RED/BLK (1) (5782A MAX)	204
18 WHT (2) GROUND	000
16 GRN (3) (5782A MAX)	552
16 YEL (4) (5782A MAX)	532
16 ORN/GRN (5) BKHD DR UNLK SW	524
18 ORN/GRN (6) BKHD DR UNLK SW	000
18 BLK (7) GROUND	532
18 WHT (8) GROUND	000

<b>TERMS</b>	
16 RED/BLK (1) (5782A MAX)	204
18 WHT (2) GROUND	000
16 GRN (3) (5782A MAX)	552
16 YEL (4) (5782A MAX)	532
16 ORN/GRN (5) BKHD DR UNLK SW	524
18 ORN/GRN (6) BKHD DR UNLK SW	000
18 BLK (7) GROUND	532
18 WHT (8) GROUND	000

<b>TERMS</b>	
16 RED/BLK (1) (5782A MAX)	204
18 WHT (2) GROUND	000
16 GRN (3) (5782A MAX)	552
16 YEL (4) (5782A MAX)	532
16 ORN/GRN (5) BKHD DR UNLK SW	524
18 ORN/GRN (6) BKHD DR UNLK SW	000
18 BLK (7) GROUND	532
18 WHT (8) GROUND	000

NOTE: 1.) FOR CONSTRUCTION STANDARDS PLEASE REFERENCE MORGAN OLSON ISO WEB #QS-E-003



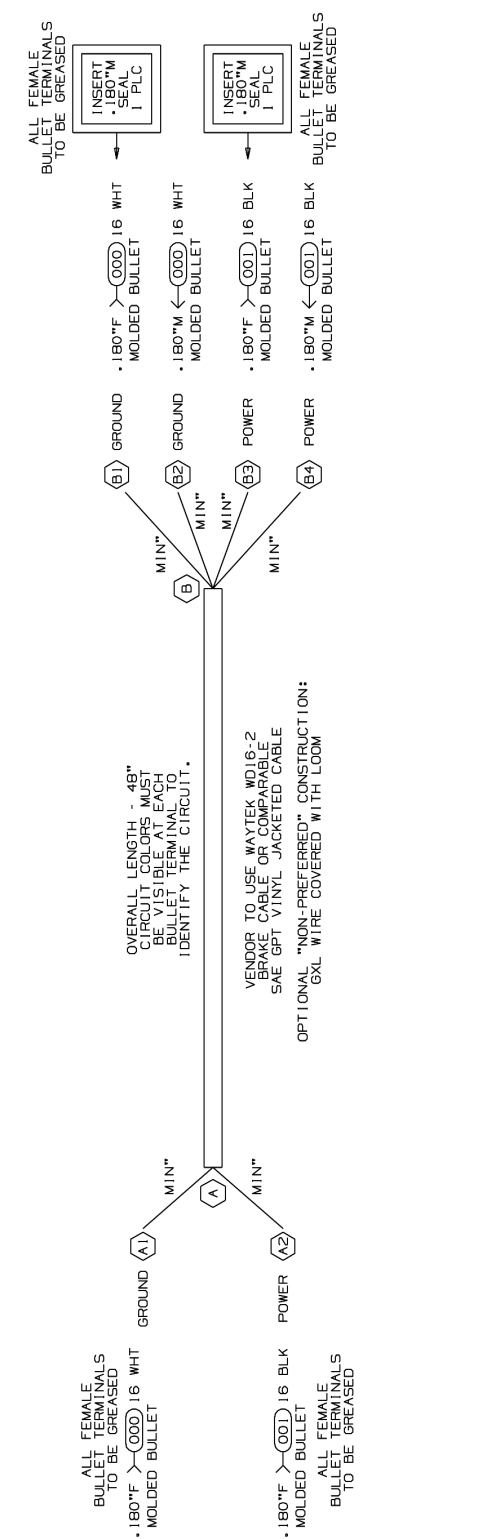




CIRCUIT	DESCRIPTION	END POINTS	FUNCTION
000	16 WHT	A1, B1, B2	GROUND
001	16 BLK	A2, B3, B4	POWER

DRAWING NO.	REV	SHT
1-400BB200		1 OF 1
REV.	DESCRIPTION	BY
	RELEASE TO PRODUCTION	

- B. VENDOR MAY REPLACE PIGTAILS WITH WIRING TO SHOW MOLDINGS OR CONNECTORS AS SHOWN IN TERMINAL VIEW.
- 7. HARNESS TO BE TESTED FOR AND CONTINUITY, SHORTS, AND OPEN CIRCUITS.
- 6. CONNECTORS SHOWN FROM THE ENTRY SIDE, UNLESS OTHERWISE NOTED.
- 5. SPLICES TO BE AUTOMATED WITH HEAT SHRINK TUBING. THE SIZE OF THE SPLICES ARE ACCEPTABLE FOR FINAL FABRICATION IF NECESSARY.
- 4. TAPE (1111096): 6" AT BREAKOUTS AND 2" AT LOOM ENDS.
- 3. HARNESS TO HAVE A LABEL SHOWING MORGAN OLSON PART NUMBER, REVISION LEVEL AND DATE OF MANUFACTURE.
- 2. SPLIT POLY LOOM UNLESS JACKETED CABLE IS USED.
- 1. JACKETED CABLE AS NOTED.



**PROPRIETARY**

This drawing and the information contained hereon are the property of Morgan Olson. It is to be used for the production of parts only. It is not to be used for the production of drawings or for the production of parts for other than the use intended hereon. All rights reserved.

**MORGAN OLSON**

1. TOLERANCE: ±.001 INCH UNLESS OTHERWISE SPECIFIED.  
2. DIMENSIONS ARE IN INCHES AND DECIMALS THEREOF.  
3. ALL DIMENSIONS ARE TO UNLESS OTHERWISE SPECIFIED.  
4. DIMENSIONS ARE TO THE CENTERLINE UNLESS OTHERWISE SPECIFIED.  
5. DIMENSIONS ARE TO THE SURFACE UNLESS OTHERWISE SPECIFIED.  
6. DIMENSIONS ARE TO THE CENTERLINE UNLESS OTHERWISE SPECIFIED.  
7. DIMENSIONS ARE TO THE SURFACE UNLESS OTHERWISE SPECIFIED.  
8. DIMENSIONS ARE TO THE CENTERLINE UNLESS OTHERWISE SPECIFIED.  
9. DIMENSIONS ARE TO THE SURFACE UNLESS OTHERWISE SPECIFIED.  
10. DIMENSIONS ARE TO THE CENTERLINE UNLESS OTHERWISE SPECIFIED.

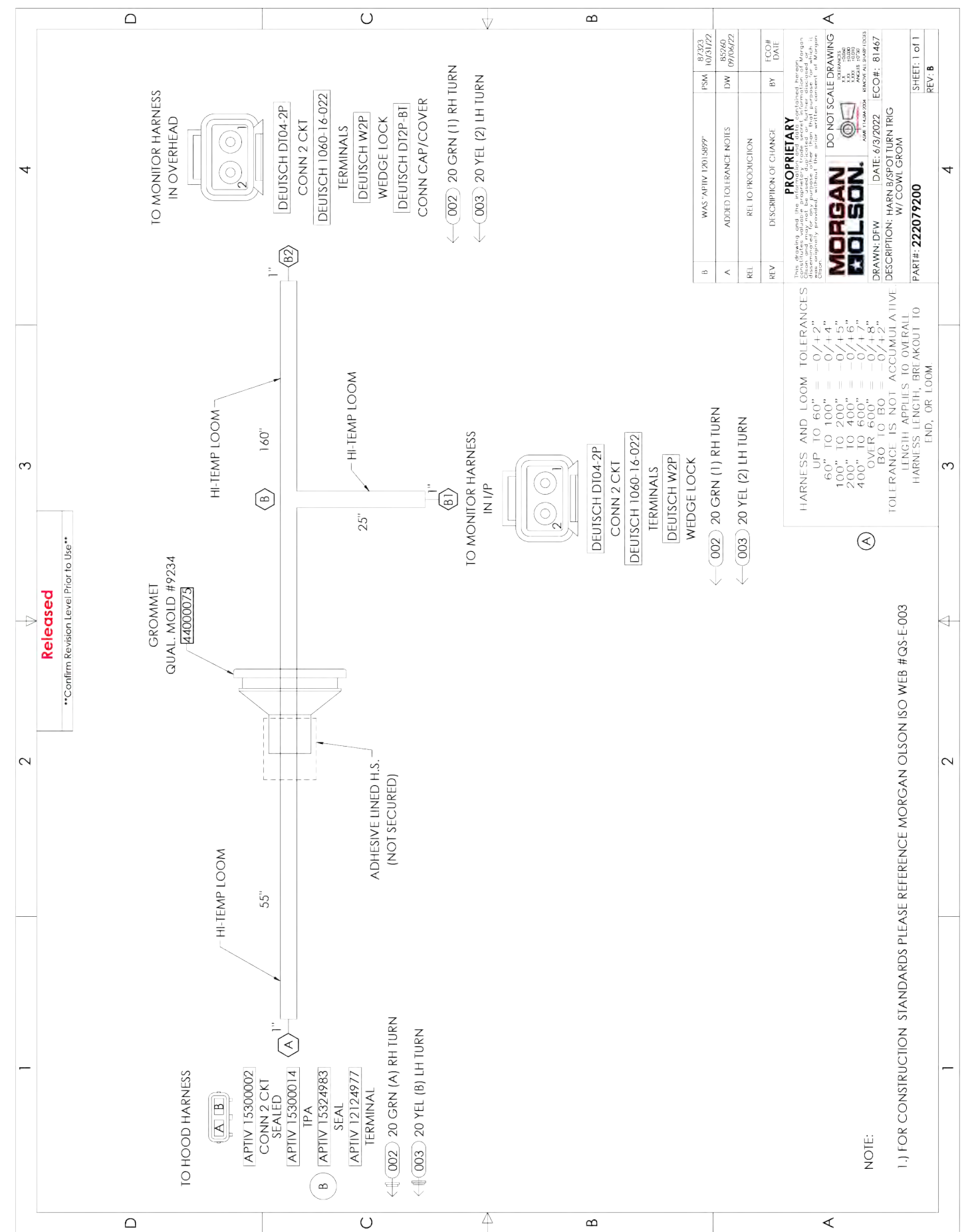
DATE: 17DEC13  
DRAWN BY: J. OF J.  
SCALE: NONE  
REV: 1-400BB200

**HARNESS AND LOOM TOLERANCES**

UP TO 60" = -0/+2"  
60" TO 100" = -0/+4"  
100" TO 200" = -0/+5"  
200" TO 400" = -0/+6"  
400" TO 600" = -0/+7"  
OVER 600" = -0/+8"

BO TO BO = -0/+2"  
TOLERANCE IS NOT ACCUMULATIVE OVERALL HARNESS LENGTH BREAKOUT TO END, OR LOOM.

NOTE: 1. JACKETED CABLE AS NOTED.



**PROPRIETARY**

This drawing and the information contained hereon are the property of Morgan Olson. It is to be used for the production of parts only. It is not to be used for the production of drawings or for the production of parts for other than the use intended hereon. All rights reserved.

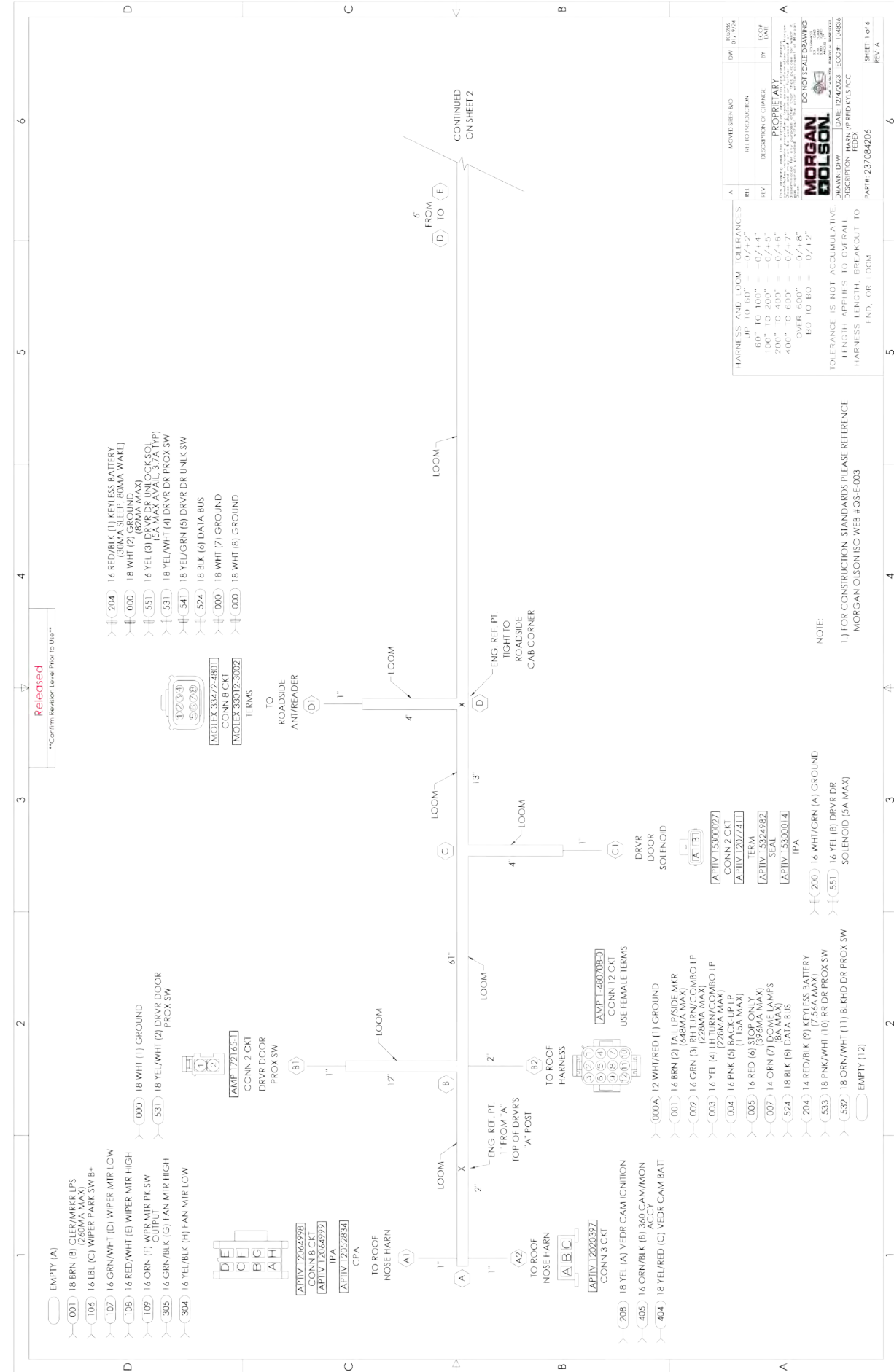
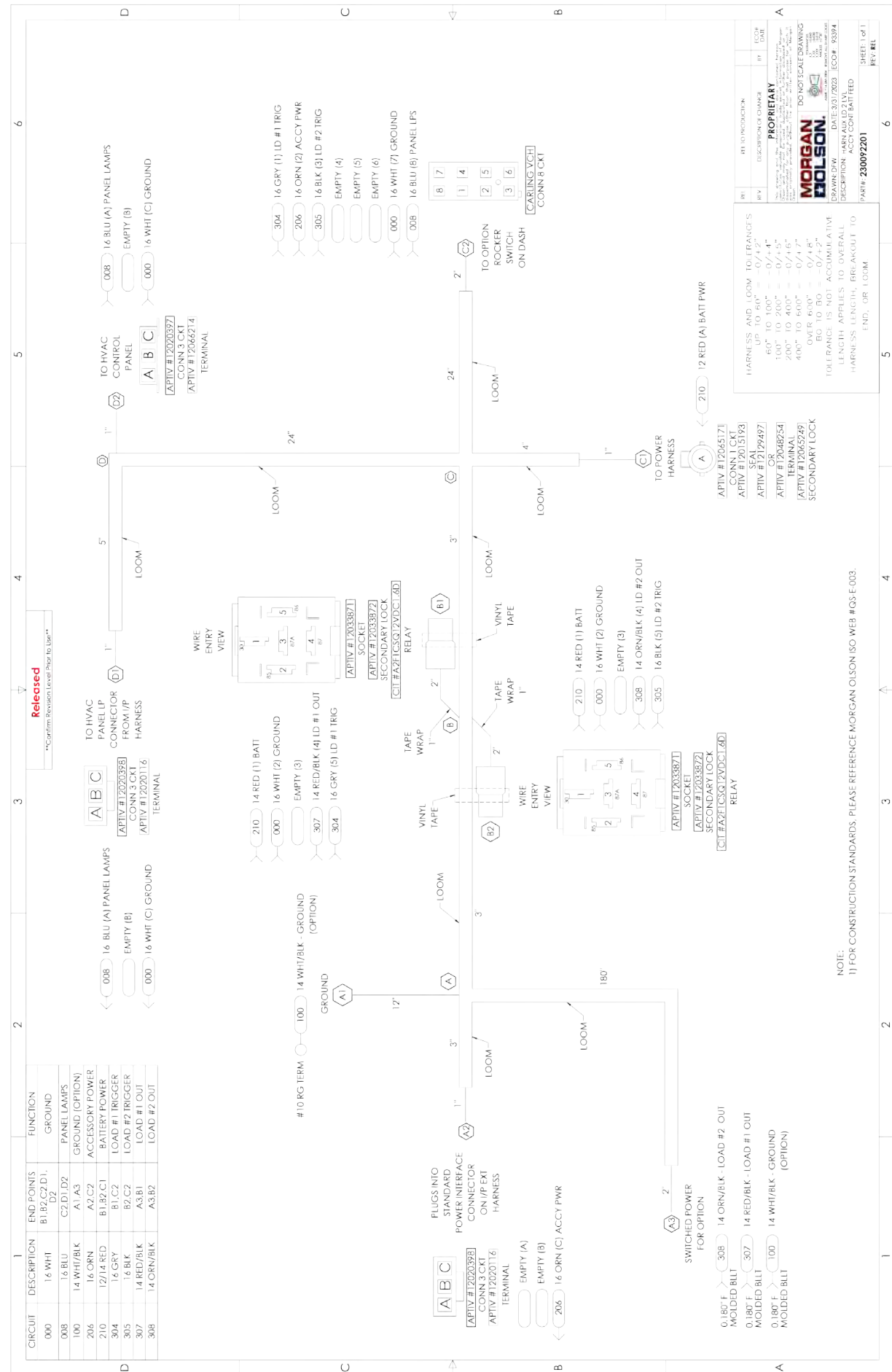
**MORGAN OLSON**

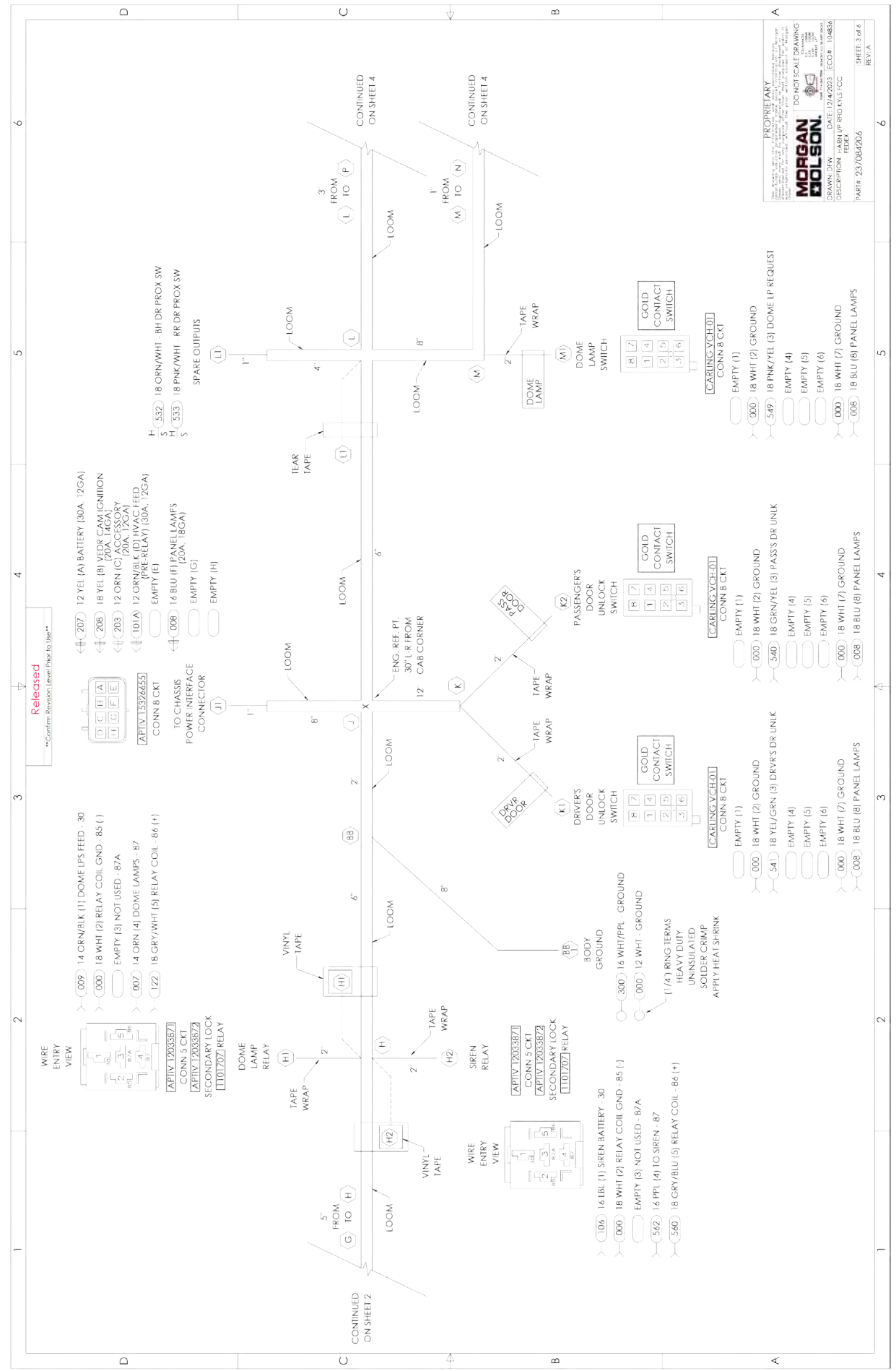
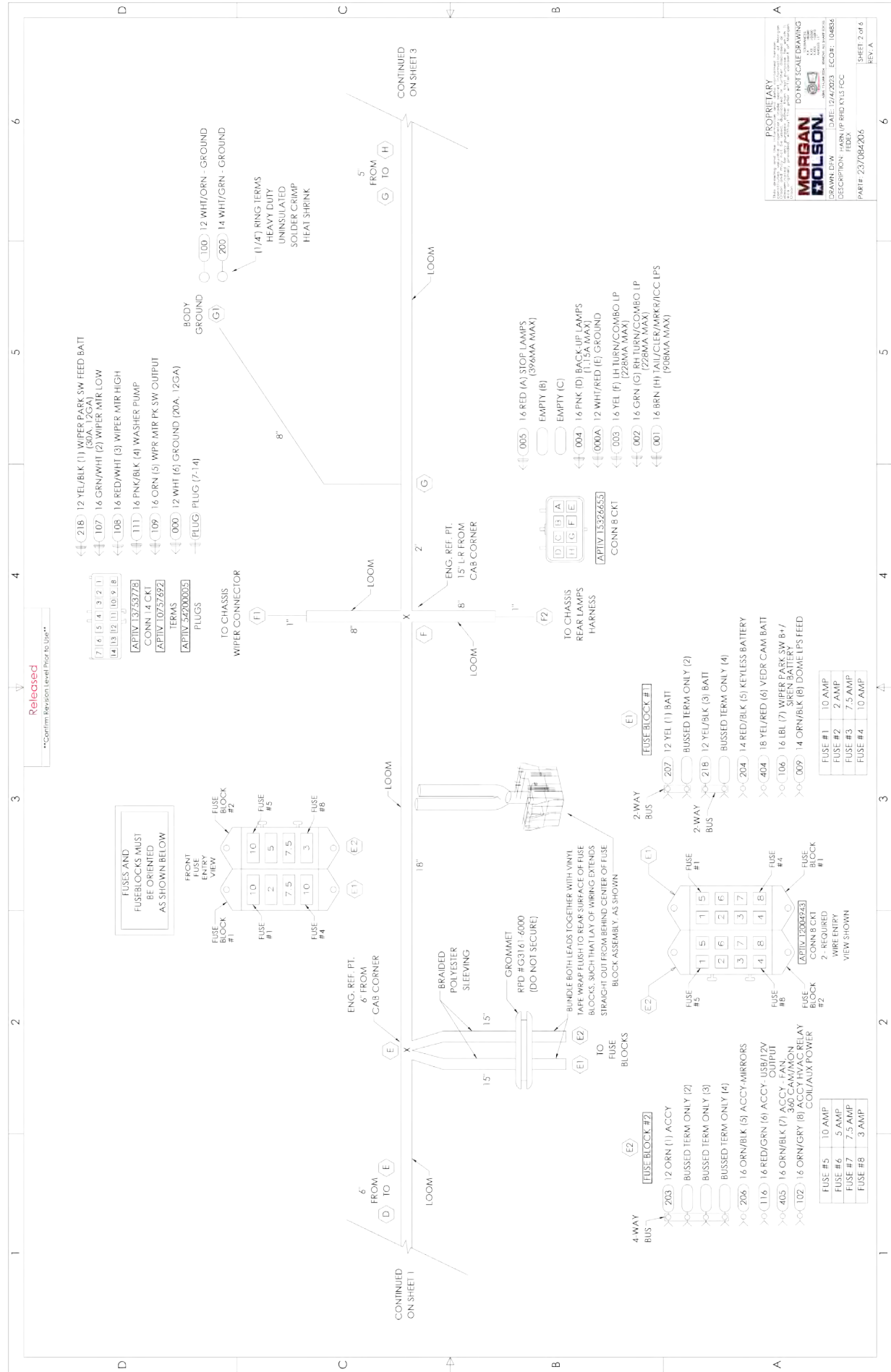
DATE: 6/3/2022  
DRAWN BY: HARN B/SPOTTURN TRIG  
ECO#: 81467  
PART#: 222079200

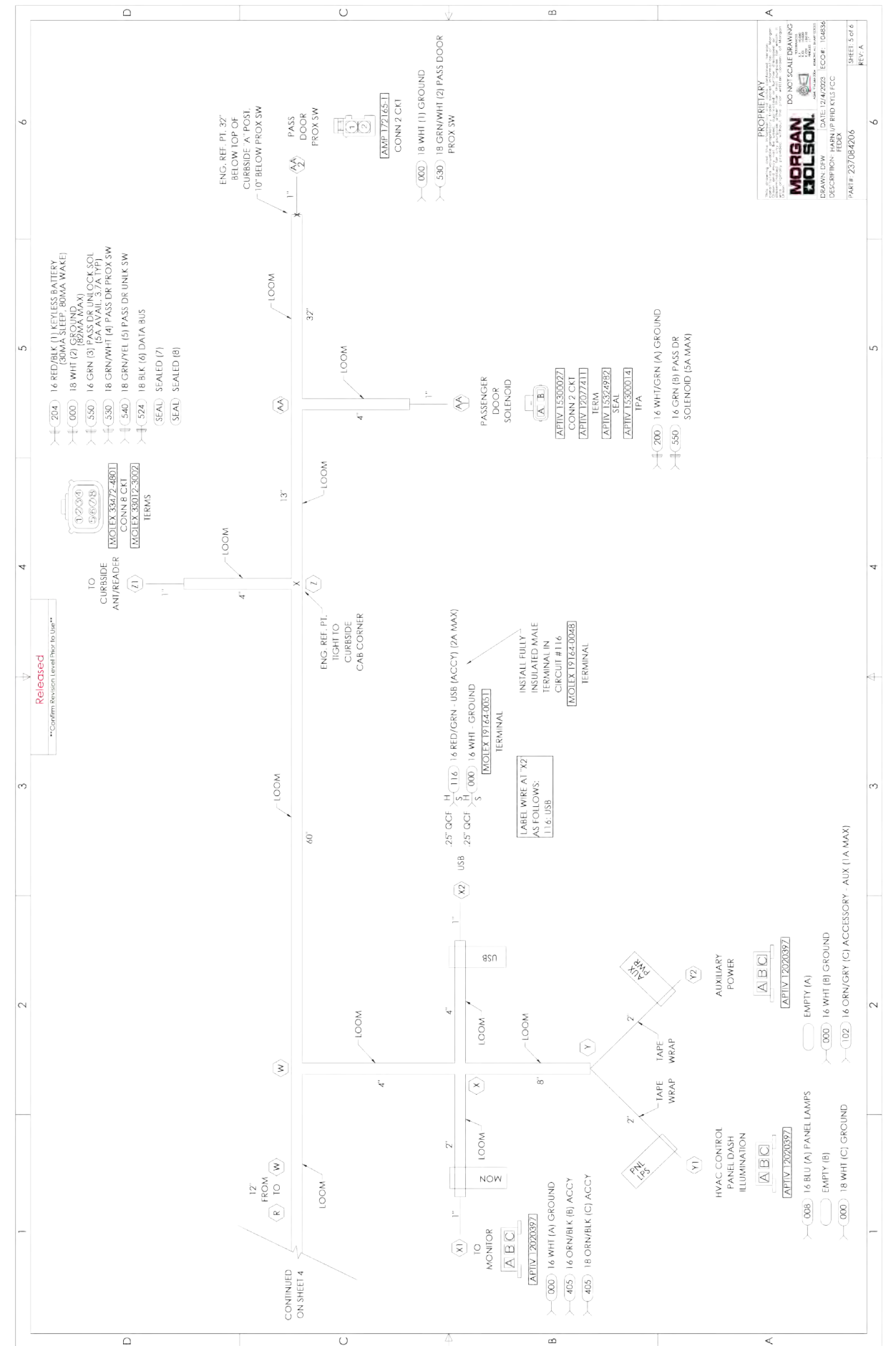
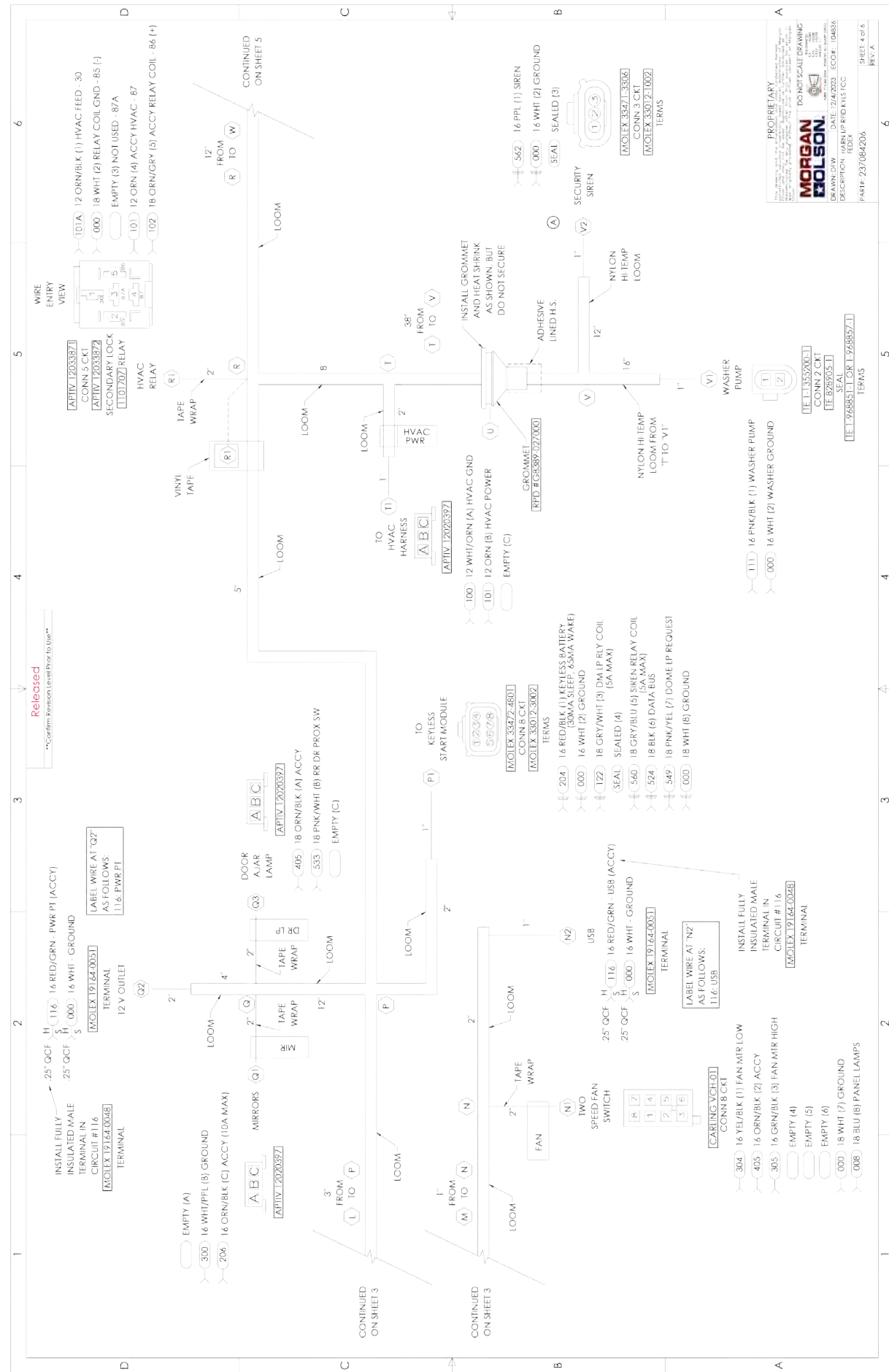
**HARNESS AND LOOM TOLERANCES**

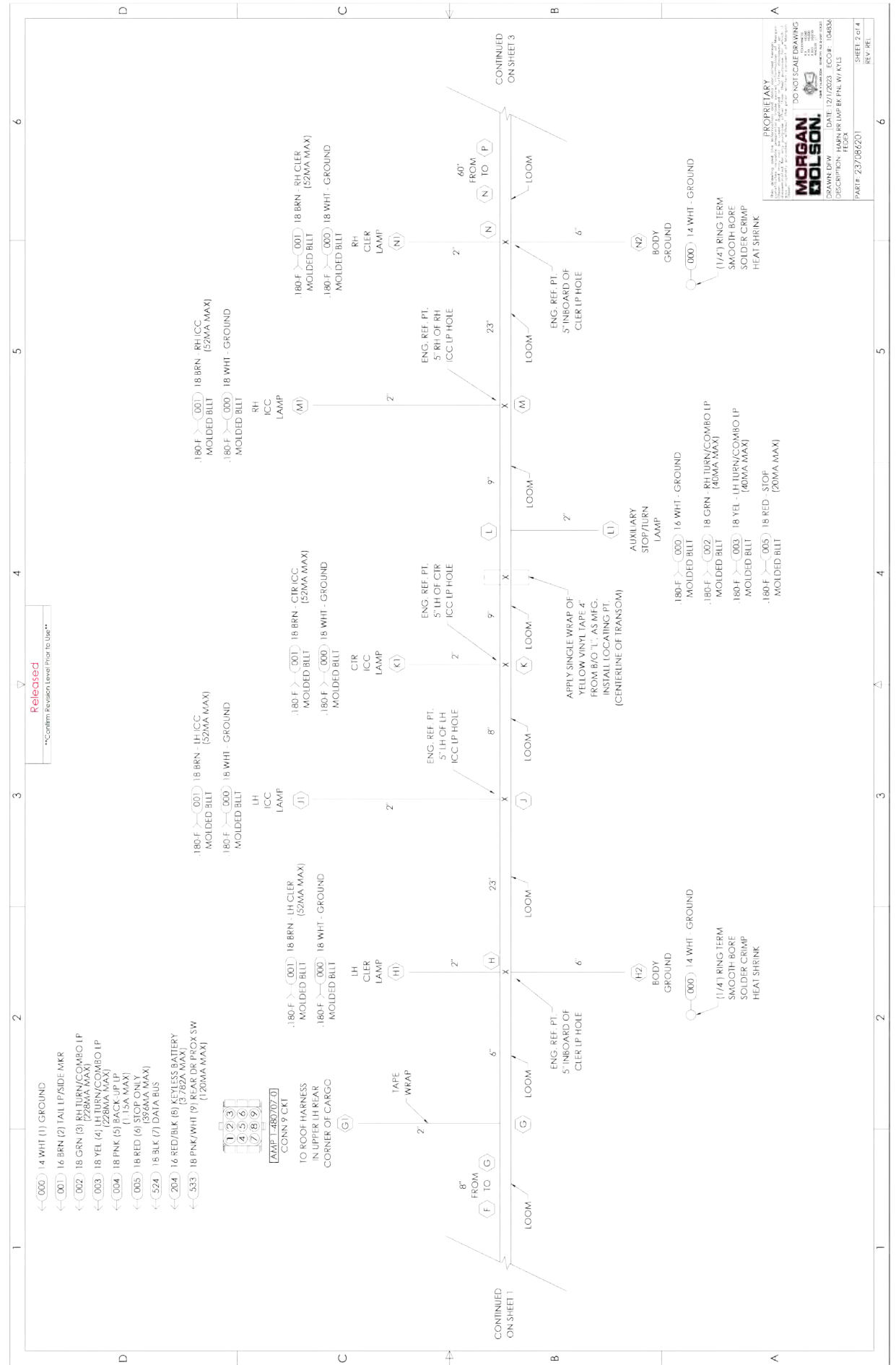
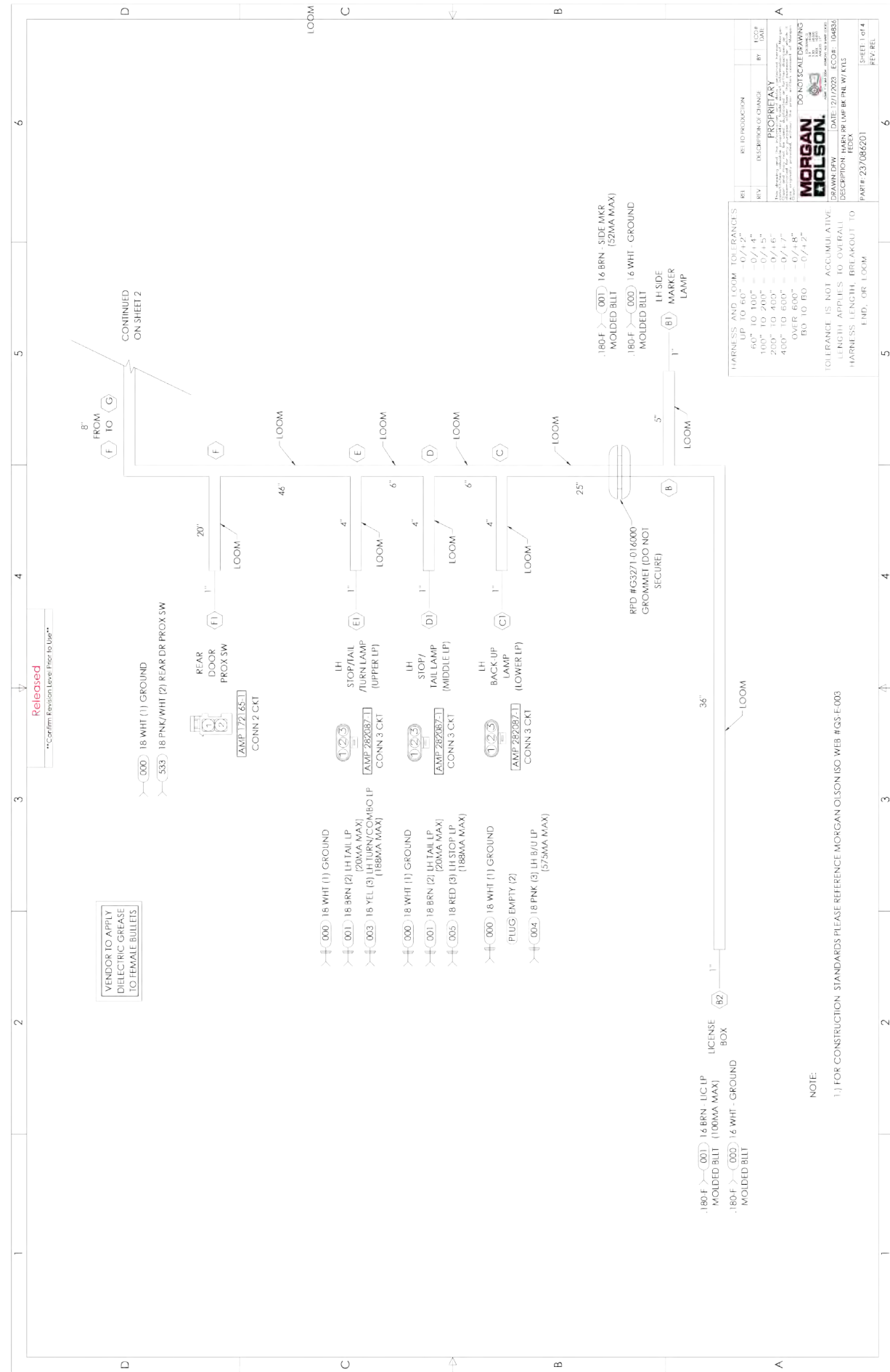
UP TO 60" = -0/+2"  
60" TO 100" = -0/+4"  
100" TO 200" = -0/+5"  
200" TO 400" = -0/+6"  
400" TO 600" = -0/+7"  
OVER 600" = -0/+8"

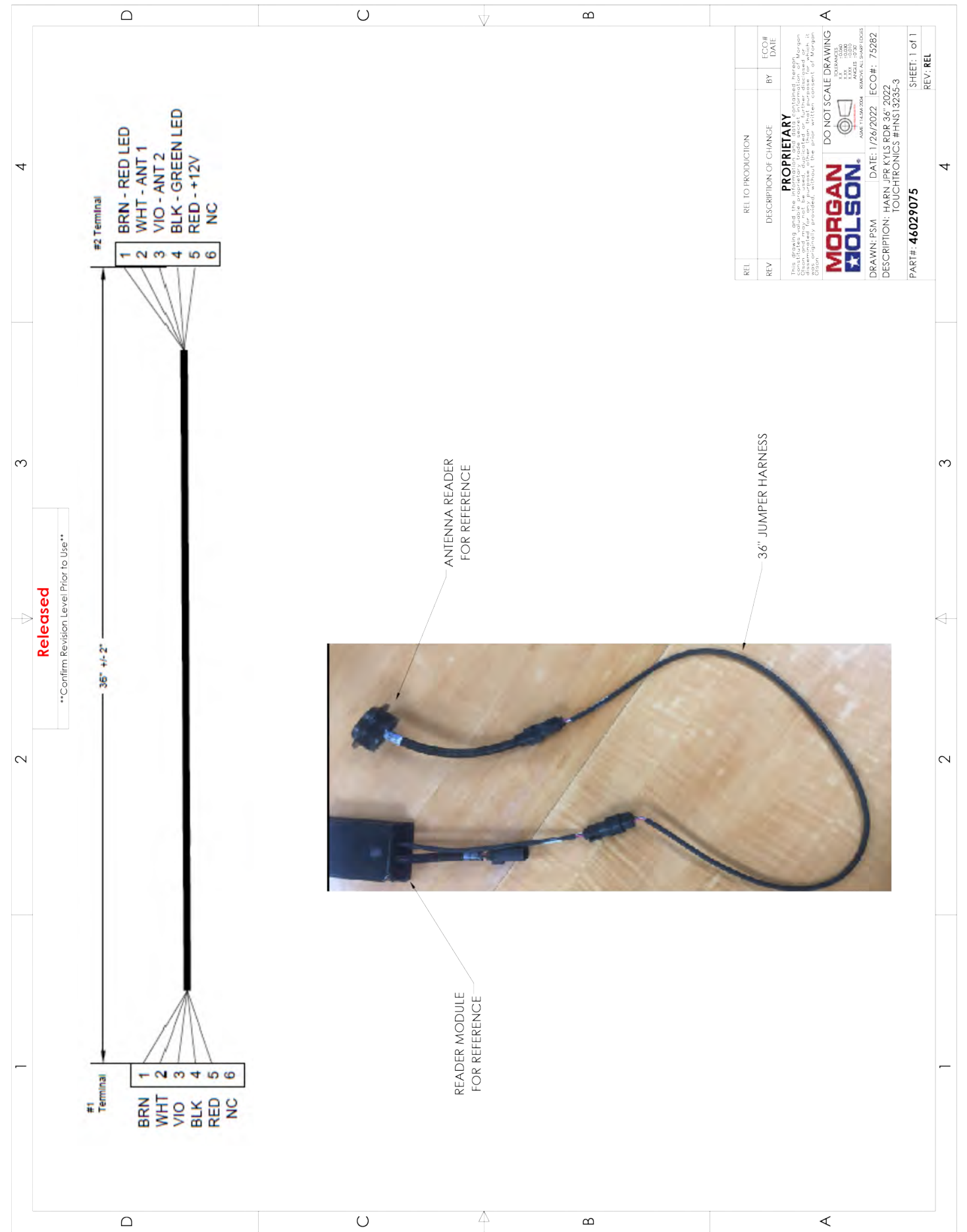
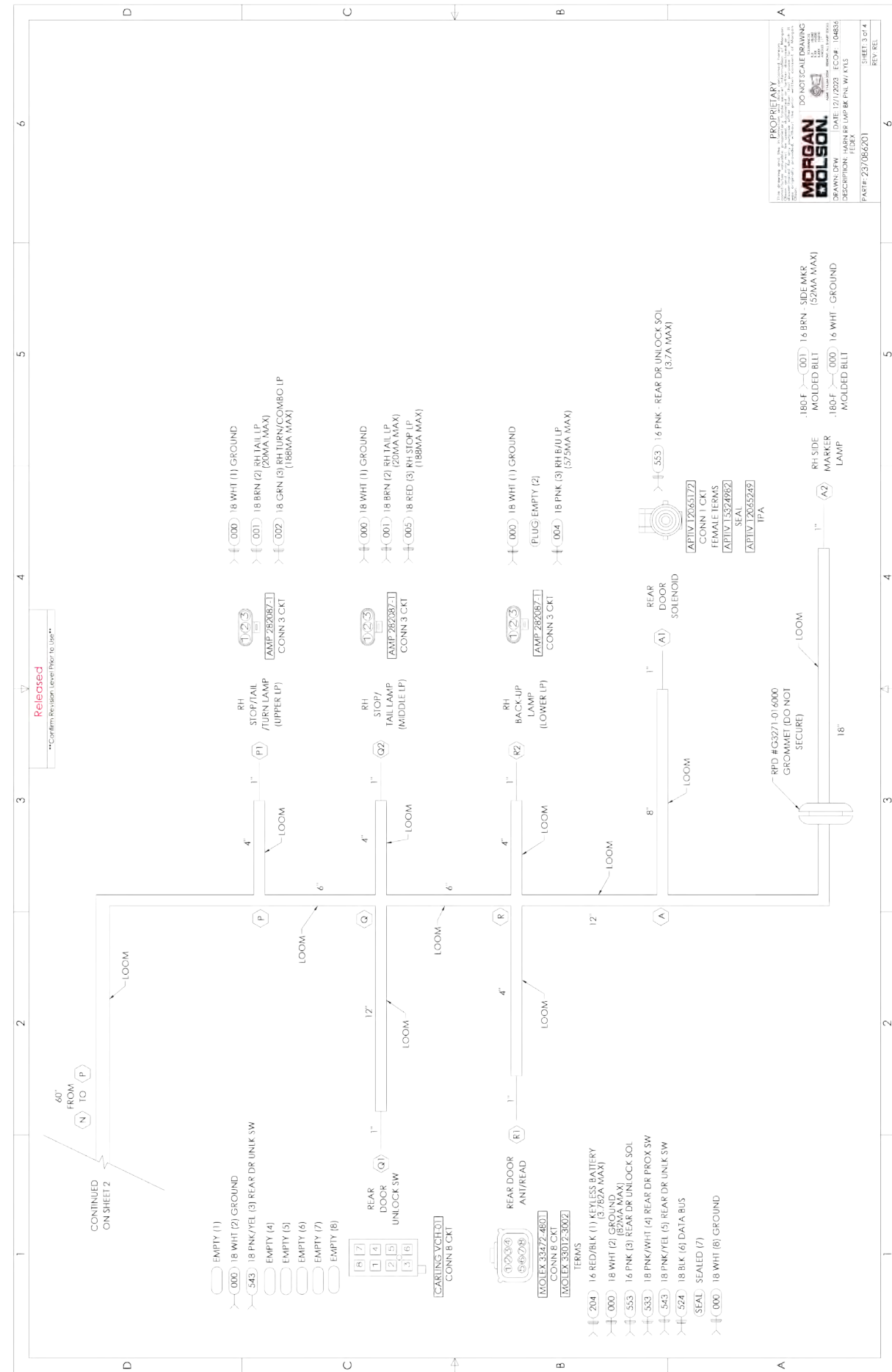
BO TO BO = -0/+2"  
TOLERANCE IS NOT ACCUMULATIVE OVERALL HARNESS LENGTH, BREAKOUT TO END, OR LOOM.













CAMERA TO MONITOR CABLES

ITEM #	PART #	DESCRIPTION	QTY	UNIT
	48200011	CABLE CAMERA X4'	1	EA
	48200092	CABLE CAMERA X34'	1	EA
	48200137	CABLE CAMERA X15'	1	EA
	48200183	CABLE CAMERA X3'	1	EA
	48200204	CABLE CAMERA X10'	1	EA

This parts catalog applies to the following W1000 delivery vehicles

VIN #	Asset #		
4UZAAPFD5SCVT7934	975594	4UZAAPFD9SCVT7970	975630
4UZAAPFD7SCVT7935	975595	4UZAAPFD0SCVT7971	975631
4UZAAPFD9SCVT7936	975596	4UZAAPFD2SCVT7972	975632
4UZAAPFD0SCVT7937	975597	4UZAAPFD4SCVT7973	975633
4UZAAPFD2SCVT7938	975598	4UZAAPFD6SCVT7974	975634
4UZAAPFD4SCVT7939	975599	4UZAAPFD8SCVT7975	975635
4UZAAPFD0SCVT7940	975600	4UZAAPFDXSCVT7976	975636
4UZAAPFD2SCVT7941	975601	4UZAAPFD1SCVT7977	975637
4UZAAPFD4SCVT7942	975602	4UZAAPFD3SCVT7978	975638
4UZAAPFD6SCVT7943	975603	4UZAAPFD5SCVT7979	975639
4UZAAPFD8SCVT7944	975604	4UZAAPFD1SCVT7980	975640
4UZAAPFDXSCVT7945	975605	4UZAAPFD3SCVT7981	975641
4UZAAPFD1SCVT7946	975606	4UZAAPFD5SCVT7982	975642
4UZAAPFD3SCVT7947	975607	4UZAAPFD7SCVT7983	975643
4UZAAPFD5SCVT7948	975608	4UZAAPFD9SCVT7984	975644
4UZAAPFD7SCVT7949	975609	4UZAAPFD0SCVT7985	975645
4UZAAPFD3SCVT7950	975610	4UZAAPFD2SCVT7986	975646
4UZAAPFD5SCVT7951	975611	4UZAAPFD4SCVT7987	975647
4UZAAPFD7SCVT7952	975612	4UZAAPFD6SCVT7988	975648
4UZAAPFD9SCVT7953	975613	4UZAAPFD8SCVT7989	975649
4UZAAPFD0SCVT7954	975614	4UZAAPFD4SCVT7990	975650
4UZAAPFD2SCVT7955	975615	4UZAAPFD6SCVT7991	975651
4UZAAPFD4SCVT7956	975616	4UZAAPFD8SCVT7992	975652
4UZAAPFD6SCVT7957	975617	4UZAAPFDXSCVT7993	975653
4UZAAPFD8SCVT7958	975618	4UZAAPFD1SCVT7994	975654
4UZAAPFDXSCVT7959	975619	4UZAAPFD3SCVT7995	975655
4UZAAPFD6SCVT7960	975620	4UZAAPFD5SCVT7996	975656
4UZAAPFD8SCVT7961	975621	4UZAAPFD7SCVT7997	975657
4UZAAPFDXSCVT7962	975622	4UZAAPFD9SCVT7998	975658
4UZAAPFD1SCVT7963	975623	4UZAAPFD0SCVT7999	975659
4UZAAPFD3SCVT7964	975624	4UZAAPFD1SCVT8000	975660
4UZAAPFD5SCVT7965	975625	4UZAAPFD3SCVT8001	975661
4UZAAPFD7SCVT7966	975626	4UZAAPFD5SCVT8002	975662
4UZAAPFD9SCVT7967	975627	4UZAAPFD7SCVT8003	975663
4UZAAPFD0SCVT7968	975628	4UZAAPFD9SCVT8004	975664
4UZAAPFD2SCVT7969	975629		975665



	Diameter	Fig.	Length															
			.5	.625	.75	.875	1"	1-1/4"	1-1/2"	2-1/4"	2-1/2"	3"						
<b>18-8 Stainless</b>																		
PHILLIPS TRUSS M/S 18-8 SS	8 - 32	1		<a href="#">1117716</a>														
PHILLIPS TRUSS M/S 18-8 SS	10 - 24	1	<a href="#">1117800</a>	<a href="#">1117814</a>	<a href="#">40300498</a>		<a href="#">40300451</a>	<a href="#">1117835</a>										
PHILLIPS TRUSS M/S 18-8 SS	1/4 - 20	1			<a href="#">1117784</a>			<a href="#">40300453</a>	<a href="#">40300454</a>									
PHILLIPS TRUSS M/S 18-8 SS	5/16 - 18	1			<a href="#">1117928</a>													
PHILLIPS FLAT M/S 18-8 SS	10 - 32	2					<a href="#">1117830</a>											
PHILLIPS FLAT M/S 18-8 SS	1/4 - 20	2			<a href="#">40300809</a>		<a href="#">1117782</a>	<a href="#">40300630</a>	<a href="#">40300631</a>									
PHILLIPS ROUND M/S 18-8 SS	10 - 24	6			<a href="#">1117209</a>													
6 LOBE PAN T/C M/S 18-8 SS	1/4 - 20	9					<a href="#">1117815</a>											
<b>Standard Steel RoHS</b>																		
PHILLIPS ROUND M/S ZC/ROHS	8 - 32	6							<a href="#">1117839</a>									
PHILLIPS PAN TEKS/3 ZC/ROHS	10 - 16	5			<a href="#">1117674</a>													
PHILLIPS TRUSS M/S ZC/ROHS	10 - 24	1																<a href="#">1117793</a>
PHILLIPS TRUSS M/S ZC/ROHS	10 - 32	1	<a href="#">1117723</a>		<a href="#">1117688</a>		<a href="#">1117715</a>											
<b>T/C - Thread Cutting</b>																		
PHIL PAN T/S TYPE A ZC	10	8					<a href="#">1117680</a>											
PHIL TRUSS T/S TYPE A BLK	10	4					<a href="#">40300101</a>											
PHIL PAN T/S TYPE A BLK	10	7					<a href="#">40300503</a>											
PHIL PAN T/S TYPE A ZC	12	8			<a href="#">1117666</a>													
6 LOBE PAN T/C	1/4 - 20	9			<a href="#">1117668</a>		<a href="#">40300922</a>					<a href="#">1117684</a>				<a href="#">40300042</a>		



T/C Thread Cutting 6 Lobe Type A  
Genuine OEM Parts





Size	Description	Thread	Lengths														
			.62	3/4"	1"	1-1/4"	1-1/2"	1-3/4"	2"	2-1/2"	3"	3-1/4"	4"				
1/4" Hex Cap Screw	GR5 ZC/RO	20															
1/4" Hex Cap Screw	GR5 ZC/ROHS	20			<a href="#">1101688</a>			<a href="#">1117009</a>									
1/4" Hex Cap Screw	18-8 Stainless	20	<a href="#">1117816</a>										<a href="#">1117818</a>				
1/4" Hex Cap Screw	ASTM F593C	20			<a href="#">1117819</a>												
5/16" Hex Cap Screw	18-8 Stainless	18			<a href="#">1117804</a>												
5/16" Hex Cap Screw	GR8 ZC/Y	18			<a href="#">1117804</a>												<a href="#">40300737</a>
5/16" Hex Cap Screw	ASTM F593	18			<a href="#">1117803</a>				<a href="#">1117059</a>								
5/16" Hex Cap Screw	GR5 ZC/R	16			<a href="#">1117837</a>												
3/8" Hex Cap Screw	GR8 ZC/Y	18			<a href="#">1117049</a>			<a href="#">1117049</a>									
3/8" Hex Cap Screw	GR8 ZC/Y	16			<a href="#">1117843</a>												
3/8" Hex Cap Screw	GR5 ZC/RO	16			<a href="#">47012646</a>					<a href="#">1117097</a>			<a href="#">051166</a>			<a href="#">1117000</a>	
3/8" Hex Cap Screw	GR5 ZC/ROHS	16	<a href="#">40300056</a>	<a href="#">40300054</a>						<a href="#">40300058</a>			<a href="#">05125</a>	<a href="#">1117040</a>			<a href="#">05128</a>
3/8" Hex Cap Screw	ASTM F593C	16						<a href="#">1117805</a>	<a href="#">1117052</a>								
7/16" Hex Cap Screw	GR8 ZC/Y	20						<a href="#">1217000</a>									
1/2" Hex Cap Screw	GR5 ZC/ROHS	13															
1/2" Hex Cap Screw	GR5 ZC/RO	13			<a href="#">1117121</a>								<a href="#">1117050</a>	<a href="#">1117051</a>			<a href="#">1117035</a>
1/2" Hex Cap Screw	GR5 ZC/ROHS	13							<a href="#">1117043</a>	<a href="#">1117124</a>			<a href="#">1117051</a>				
1/2" Hex Cap Screw	GR5 ZC	13						<a href="#">1117036</a>	<a href="#">051461</a>								
5/8" Hex Cap Screw	GR5	11															<a href="#">40300259</a>

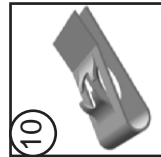
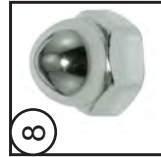
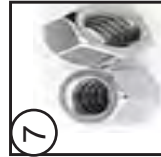
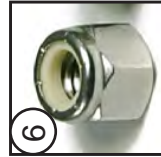
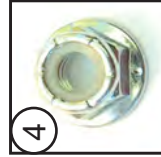
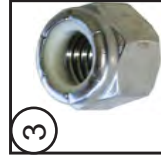
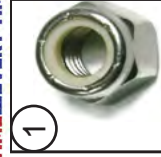
	<b>Grade 8</b> Medium Carbon Alloy Steel
	<b>Grade 5</b> Medium Carbon Steel
	<b>Grade 2</b> Low or Medium Carbon Steel

ZC	Zinc Coated
ZP	Zinc Plated
Y	Yellow
GR	Grade
RoHS	AS9100C ISO 9001:2008
ASTM F593C	American Standards Measurements Specifications

Genuine OEM Parts

1.800.233.4823

www.morganolsonparts.com



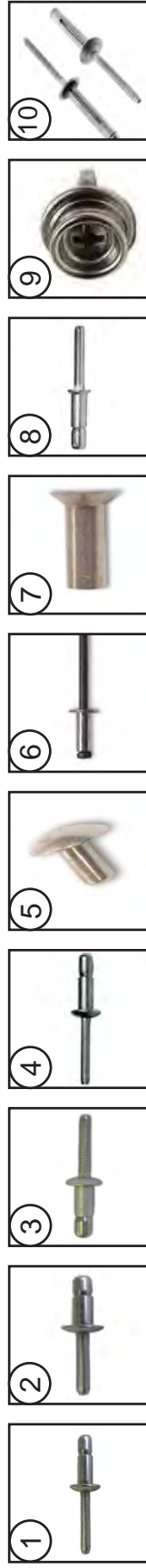
ZP - ZINC PLATED

Standard	Thread	FIG.	#8	#10	1/4"	5/16	3/8"	.44	1/2"	DIA.	
NYLON LOCKING NUT, HEX	32	1		<a href="#">052266</a>							
NUT "U" SPRING .115 TO .125 PANEL	10-24	10		<a href="#">40301303</a>							
NYLON LOCKING NUT, HEX ZP	24	3		<a href="#">1117307</a>							
NYLON LOCKING NUT, HEX ZP	20	3			<a href="#">1117310</a>						
NYLON LOCKING NUT, HEX ZP	18	3				<a href="#">1117838</a>					
NYLON LOCKING NUT, HEX ZP	16	3				<a href="#">1117344</a>			<a href="#">1217003</a>		
LOCKING NUT HEX FLANGE .44-20 OVAL	20	4									
NUTSERT EXPANDING NYL .275 SQ	20	5		<a href="#">40900006</a>							
NUT NON LOCKING	24	2		<a href="#">1117303</a>							
NUT NON LOCKING	20	2			<a href="#">1117312</a>						
NUT NON LOCKING	16	2				<a href="#">1117316</a>					
<b>GRADE 5</b>											
NUT STL LK LRG FLG GD5 .31-18	18	4				<a href="#">40100560</a>					
NUT STL HEX LK B ZP .5-13 GR 5	13	1							<a href="#">1117283</a>		
<b>18-8 Stainless</b>											
NUT SS LOCKING	32	3	<a href="#">1117347</a>	<a href="#">1117699</a>							
NUT SS LOCKING	24	6		<a href="#">1103354</a>							
NUT SS LOCKING	20	6			<a href="#">1117336</a>						
NUT SS NON LOCKING	20	7			<a href="#">40100044</a>						
NUT SS ACORN LOW CROWN	20	8		<a href="#">40100061</a>							
<b>Speciality</b>											
CHANNEL NUT WITH SPRING 1/4-20	20	9			<a href="#">47009988</a>						
CHANNEL NUT WITH SPRING 3/8-16	16	9				<a href="#">47001001</a>					

Genuine OEM Parts

1.800.233.4823

www.morganolsonparts.com

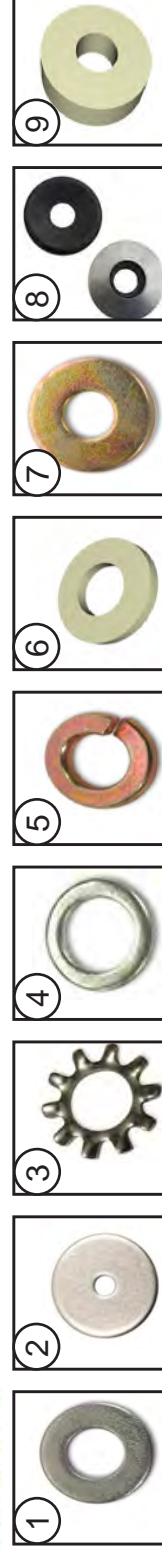


MAGNA LOCK	Length													
	Diameter	Fig.	.25	.312	.375	.438	.44	.5	.562	.625	.687	.75	.875	1"
HUCK R6-4	.188	1		<a href="#">1117084</a>	<a href="#">1117061</a>									
HUCK R8-6	.25	2		<a href="#">1117087</a>										
PROTRUDING HEAD	.25	3			<a href="#">40200304</a>		<a href="#">40200634</a>			<a href="#">40200303</a>				
FLUSH HEAD B6-4	.25	4						<a href="#">40200630</a>						
RIV AL BRAIZER HEAD	.125	5		<a href="#">1117402</a>	<a href="#">1117404</a>	<a href="#">1117405</a>		<a href="#">1117406</a>						
RIV AL BRAIZER HEAD	.188	5		<a href="#">1117351</a>	<a href="#">1117353</a>	<a href="#">1117355</a>		<a href="#">1117357</a>	<a href="#">1117359</a>	<a href="#">1117361</a>	<a href="#">1117363</a>	<a href="#">1117365</a>	<a href="#">1117368</a>	
RIV AL BRAIZER HEAD	.25	5						<a href="#">1117380</a>	<a href="#">1117385</a>	<a href="#">1117382</a>	<a href="#">1117386</a>	<a href="#">1117386</a>		<a href="#">1117395</a>
RIV AL BRAIZER HEAD MOD	.25	5			<a href="#">40200213</a>		<a href="#">40200214</a>	<a href="#">1117409</a>	<a href="#">1117410</a>		<a href="#">1117408</a>		<a href="#">1117390</a>	
RIV AL FLAT HEAD	.125	7			<a href="#">85760100</a>									
RIV AL FLAT HEAD	.188	7			<a href="#">1117434</a>	<a href="#">1117436</a>		<a href="#">1117438</a>		<a href="#">1117440</a>	<a href="#">1117442</a>			
RIV AL FLAT HEAD	.25	7												
RIV AL POP	.125	10	<a href="#">1117464</a>											
RIV AL POP #10	.406	10	<a href="#">1117456</a>											
RIV AL POP AD 66 BS		10			<a href="#">1117457</a>									
RIV AL POP AD 68 BS								<a href="#">1117458</a>						
RIV AL POP AD 610 BS									<a href="#">1117459</a>					
POP AL OPEN END BLIND	.125	6			<a href="#">1117421</a>									
POP AL OPEN END BLIND	.188	6	<a href="#">1117456</a>						<a href="#">1117459</a>					
POP CLSD BLACK		8						<a href="#">40200629</a>						
SNAP FASTENER		9						<a href="#">40900925</a>						
BULB TYPE BLIND w/WASHER	.188	10			<a href="#">40200621</a>			<a href="#">40200501</a>						

Genuine OEM Parts

1.800.233.4823

www.morganolsonparts.com



Standard	I/D	FIG.	3/8	1/2	9/16	5/8	3/4"	7/8	1"	1-1/4"	1-3/4"
#10 TYPE B FLAT WASHER ZINC/ROHS	.190	1			<a href="#">1117929</a>						
#10 X 1 FENDER WASHER ZC	.190	2							<a href="#">1117950</a>		
#10 EXTERNAL TOOTH LW ZC	.190	3	<a href="#">1117971</a>								
1/4 EXTERNAL TOOTH LW ZC	1/4	3		<a href="#">1117975</a>							
1/4 TYPE B NARROW FLAT WASHER	1/4	4			<a href="#">1117941</a>						
1/4 USS FLAT WASHER ZC/ROHS	1/4	1					<a href="#">1117953</a>			<a href="#">40300918</a>	
1/4 F436 (A325) FLAT WASHER ZC/ROHS	1/4	1				<a href="#">40000047</a>					
FLAT WASHER .060 THICK ZC/RO	1/4	1							<a href="#">1117952</a>		
1/4 USS FLAT WASHER	1/4	1		<a href="#">1117885</a>							
5/16 SPLIT LOCK WASHER ZC/ROHS	5/16	5	<a href="#">1117965</a>								
5/16 USS FLAT WASHER ZC/ROHS	5/16	1						<a href="#">1117955</a>			
3/8 USS FLAT WASHER ZC/ROHS	3/8	1						<a href="#">1117957</a>			
3/8 X 1 FLAT WASHER 1/4 THK NYLON	3/8	6							<a href="#">40000038</a>		
1/2 TYPE B REGULAR FLAT WASHER	1/2	1								<a href="#">40000050</a>	
1/2 TYPE B REGULAR FLAT WASHER ZC	1/2	1								<a href="#">1117945</a>	
1/2 TYPE B WIDE FLAT WASHER ZC/ROHS	1/2	1									<a href="#">1117959</a>
<b>Grade 8</b>											
1/4 FLAT WASHER GR 8 ZC/Y	1/4	7					<a href="#">85761003</a>				
5/16 FLAT WASHER GR 8 ZC/Y	5/16	7						<a href="#">1117937</a>			
3/8 FLAT WASHER GR 8 ZC/Y	3/8	7					<a href="#">40000046</a>		<a href="#">1117947</a>		
7/16 FLAT WASHER GR 8 ZC/Y	7/16	7								<a href="#">1217002</a>	
1/2 FLAT WASHER GR 8 ZC/Y	1/2	7							<a href="#">1117943</a>	<a href="#">1217002</a>	
<b>Stainless 18-8</b>											
#10 X 5/8 BONDED SEALER 18-8 SS	.190	8		<a href="#">85761250</a>							
1/4 X 5/8 BONDED SEALER 18-8 SS	1/4	8				<a href="#">40000053</a>					
3/8 X 3/4 BONDED SEALER 18-8 SS	3/8	8				<a href="#">40000051</a>					
3/8 X 1" BONDED SEALER 18-8 SS	3/8	8					<a href="#">40000054</a>				
1/4 EXTERNAL TOOTH SS LW ZC	1/4	3		<a href="#">40000510</a>						<a href="#">40000055</a>	
<b>Specialty</b>											
WASHER NYLON .13 X .62 ID X 1.38OD	5/8	9									<a href="#">137147429</a>

Genuine OEM Parts

1.800.233.4823

www.morganolsonparts.com

MORGAN★OLSON.  
**QUALITY**  
ON TIME★EVERY TIME