

Canada Post

2022 Parts Catalog



Freightliner Chassis

2022 Morgan Olson Body



Published 02/2023
1.800.233.4823
WWW.MORGANOLSON.COM



This parts catalog applies to the following package delivery vehicles;

Chassis Vin #	Unit #		
4UZAC1G77PCUP1622	220179	4UZAC1G76PCUP1630	220258
4UZAC1G76PCUP1644	220180	4UZAC1G78PCUP1631	220259
4UZAC1G78PCUP1645	220181	4UZAC1G79PCUP1668	220260
4UZAC1G7XPCUP1646	220182	4UZAC1G70PCUP1669	220261
4UZAC1G75PCUP1618	220183	4UZAC1G78PCUP1578	220262
4UZAC1G79PCUP1623	220186	4UZAC1G76PCUP1613	220263
4UZAC1G71PCUP1647	220188	4UZAC1G75PCUP1571	220264
4UZAC1G73PCUP1648	220189	4UZAC1G77PCUP1569	220265
4UZAC1G75PCUP1649	220190	4UZAC1G73PCUP1584	220362
4UZAC1G71PCUP1650	220195	4UZAC1G75PCUP1585	220363
4UZAC1G73PCUP1651	220196	4UZAC1G77PCUP1586	220364
4UZAC1G75PCUP1652	220197	4UZAC1G79PCUP1587	220365
4UZAC1G77PCUP1653	220200	4UZAC1G70PCUP1588	220366
4UZAC1G79PCUP1654	220201	4UZAC1G72PCUP1589	220367
4UZAC1G70PCUP1655	220202	4UZAC1G79PCUP1590	220368
4UZAC1G74PCUP1609	220203	4UZAC1G70PCUP1591	220369
4UZAC1G71PCUP1583	220204	4UZAC1G72PCUP1592	220370
4UZAC1G77PCUP1605	220205	4UZAC1G74PCUP1593	220371
4UZAC1G79PCUP1606	220206	4UZAC1G78PCUP1595	220430
4UZAC1G70PCUP1624	220210	4UZAC1G7XPCUP1632	220431
4UZAC1G72PCUP1656	220211	4UZAC1G78PCUP1614	220433
4UZAC1G74PCUP1657	220212	4UZAC1G7XPCUP1579	220434
4UZAC1G72PCUP1625	220215	4UZAC1G70PCUP1641	220435
4UZAC1G76PCUP1658	220216	4UZAC1G72PCUP1642	220436
4UZAC1G78PCUP1659	220217	4UZAC1G74PCUP1643	220437
4UZAC1G74PCUP1660	220218	4UZAC1G76PCUP1580	220438
4UZAC1G70PCUP1610	220219	4UZAC1G77PCUP1572	220440
4UZAC1G72PCUP1611	220220	4UZAC1G78PCUP1581	220441
4UZAC1G77PCUP1619	220222	4UZAC1G7XPCUP1582	220442
4UZAC1G76PCUP1594	220225	4UZAC1G7XPCUP1596	220443
4UZAC1G76PCUP1661	220227	4UZAC1G71PCUP1597	220444
4UZAC1G79PCUP1573	220228	4UZAC1G73PCUP1598	220445
4UZAC1G70PCUP1574	220229	4UZAC1G75PCUP1599	220446
4UZAC1G78PCUP1662	220233	4UZAC1G78PCUP1600	220447
4UZAC1G7XPCUP1663	220234	4UZAC1G7XPCUP1601	220448
4UZAC1G71PCUP1664	220235	4UZAC1G71PCUP1602	220449
4UZAC1G72PCUP1575	220236	4UZAC1G73PCUP1603	220450
4UZAC1G74PCUP1576	220237	4UZAC1G75PCUP1604	220451
4UZAC1G74PCUP1626	220240	4UZAC1G71PCUP1633	220452
4UZAC1G76PCUP1627	220242	4UZAC1G73PCUP1634	220453
4UZAC1G73PCUP1665	220243	4UZAC1G75PCUP1635	220454
4UZAC1G76PCUP1577	220244	4UZAC1G77PCUP1636	220455
4UZAC1G78PCUP1628	220248	4UZAC1G70PCUP1607	220461
4UZAC1G73PCUP1620	220249	4UZAC1G72PCUP1608	220462
4UZAC1G75PCUP1621	220251	4UZAC1G79PCUP1637	220476
4UZAC1G7XPCUP1629	220253	4UZAC1G70PCUP1638	220477
4UZAC1G75PCUP1666	220254	4UZAC1G72PCUP1639	220478
4UZAC1G77PCUP1667	220255	4UZAC1G79PCUP1640	220479
4UZAC1G74PCUP1612	220256		

TABLE OF CONTENTS	4
INTRODUCTION - PARTS ORDERING	5
CAB - ENGINE BOX - WINDSHIELD	6-7
STEPS - WIPER COVER - CAB INSULATION	8-9
HEATER - DEFROSTER	10-11
HOOD	12-13
INSTRUMENT PANEL & SEATS	14-15
FLOOR	16-17
SIDES	18-19
ROOF - BACK	20-21
SIDE DOORS	22-23
SIDE DOOR POCKETS	24-25
BULKHEAD	26-31
ROLL UP DOOR - 47005932	32-33
SHELVING	34-35
BUMPERS - KEYLESS SYSTEMS	36-37
MIRRORS & WIPER ASSEMBLY	38-39
MISCELLANEOUS	40-41
ELECTRICAL	42-43
WALK-IN VAN COMMON FASTENERS	44-48
WIRING HARNESS	49
WIRING DIAGRAMS	50-85

This parts guide contains illustrations and part numbers for Canada Post Package Delivery Vehicles and applies to bill of material # JV004139 produced in 2022.

How to order Morgan Olson parts from our Canadian Parts Distributor

The first step is to locate the part numbers you would like to order.

Method 1 (Recommended)

Go to our parts web site, WWW.MORGANOLSONPARTS.COM and search your vehicle VIN number to get a list of parts generated directly from your vehicles Bill of Material. You can filter the list of items further by selecting the category for the location of the parts. IE. Bumper, Hood, Glass, Rear Door, etc. You may change the search drop down menu to search by part number, description, unit number or VMRS number.

Method 2

Use this parts catalog to identify your part numbers.

Method 3

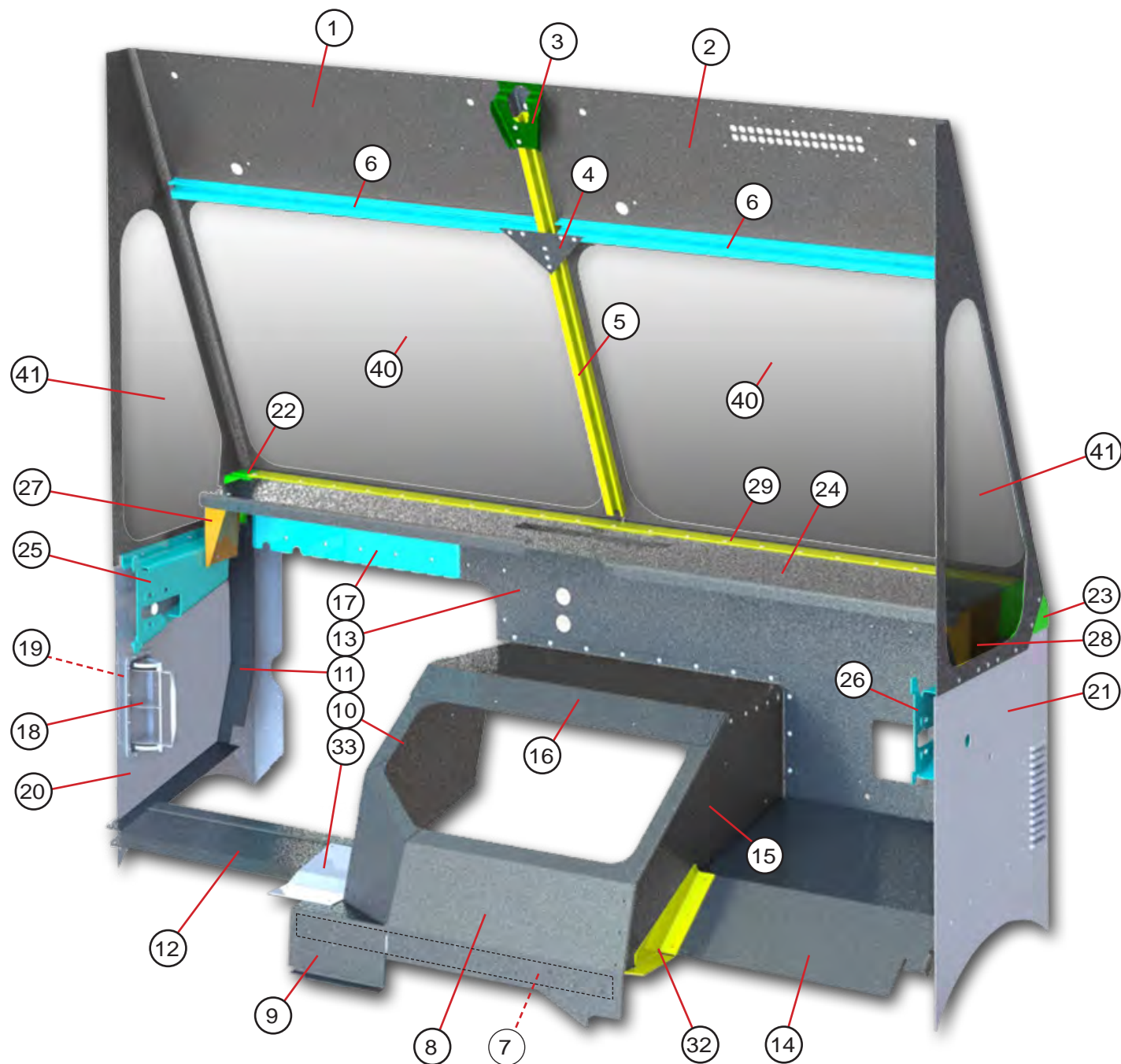
Call our Canadian Parts Distributor, Jim Keay Ford
 Primary Contact Ben 1-613-841-4021
 Secondary Contact Chris 1-613-841-4021
 Please have your VIN number available and Ben, the parts specialist will be able to help you identify the parts you need.

Helpful tip: On the parts website, you can create a saved list of items or just add the items to the shopping cart, then use the **shared list** feature to email your list to Jim Keay Ford. They will respond with pricing and availability information morganolsonparts@jimkeayford.com

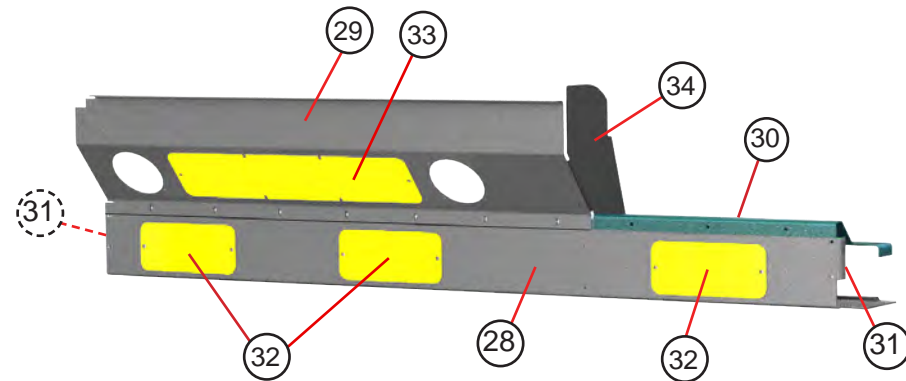
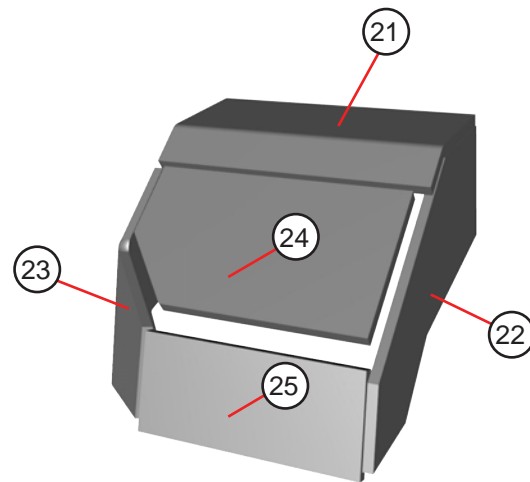
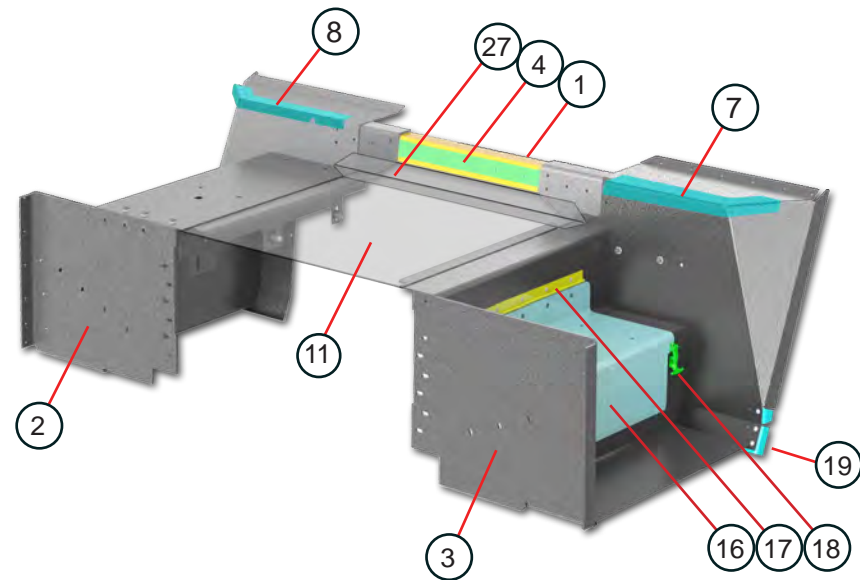
FOR WARRANTY INFORMATION CALL 1-800-262-3437

ANY QUESTIONS OR CONCERNS SHOULD BE DIRECTED TO YOUR SERVICE PARTS REPRESENTATIVE AT 1-800-233-4823

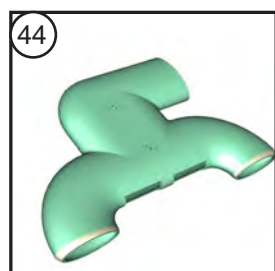
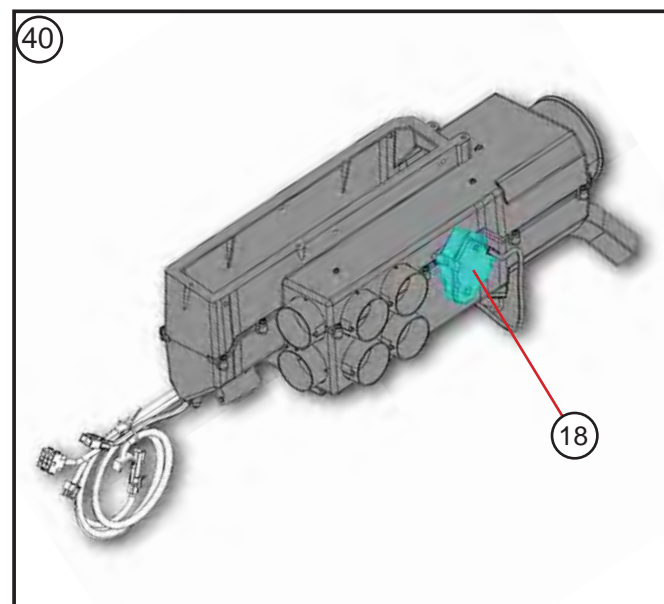
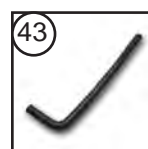
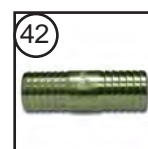
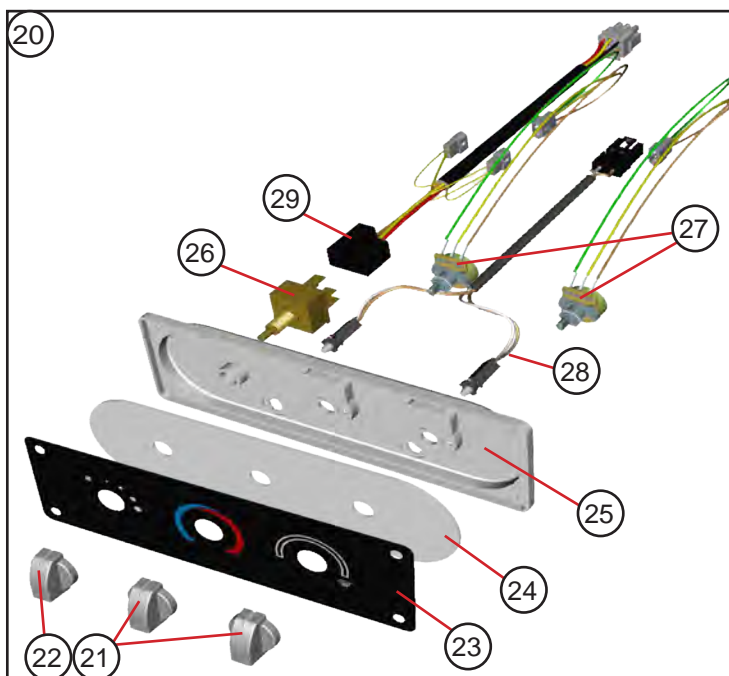
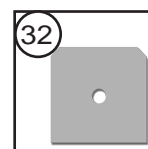
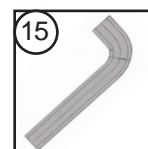
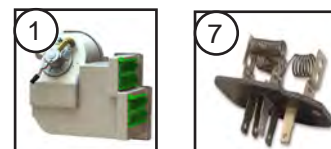
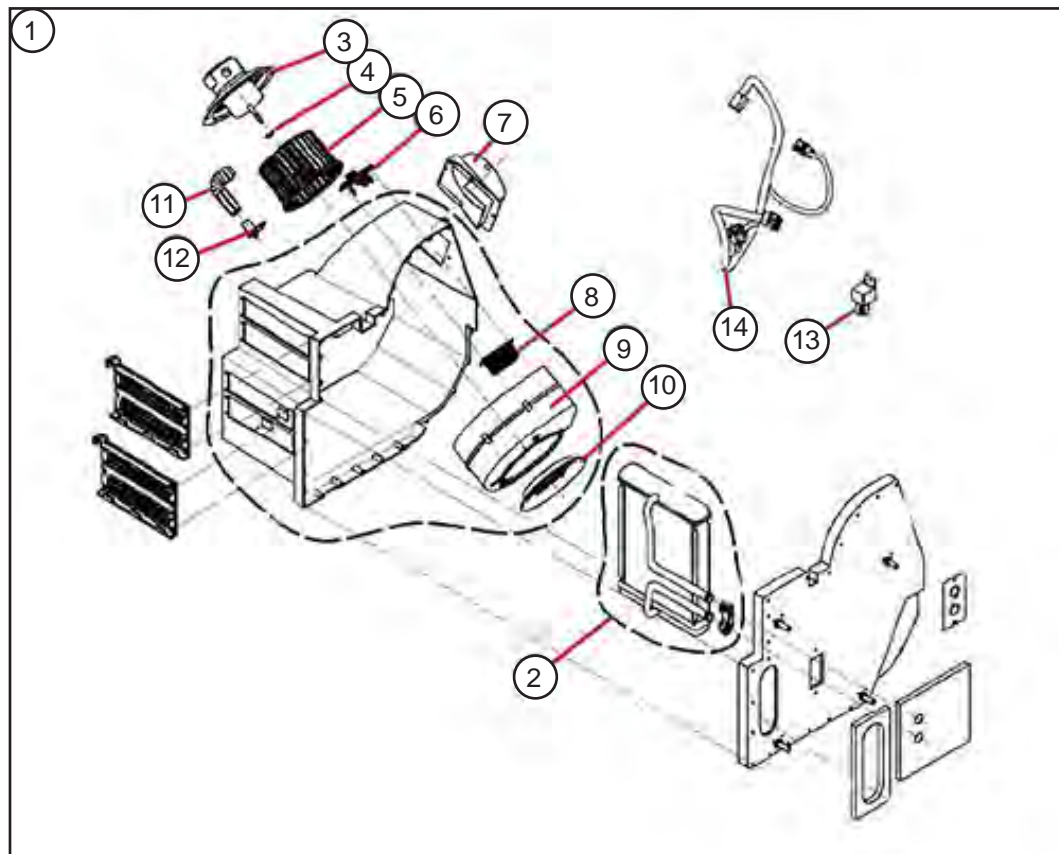
At Morgan Olson, our quest for quality and safety is ongoing and therefore the specifications on the product described herein may vary over time. Please contact Morgan Olson for the latest product information and available safety features and options.



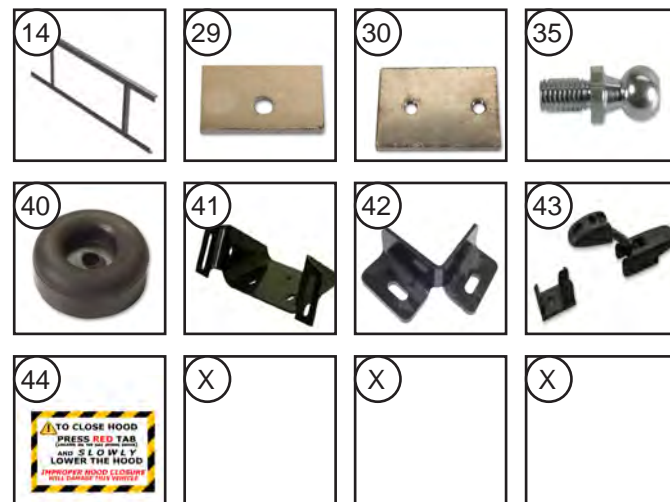
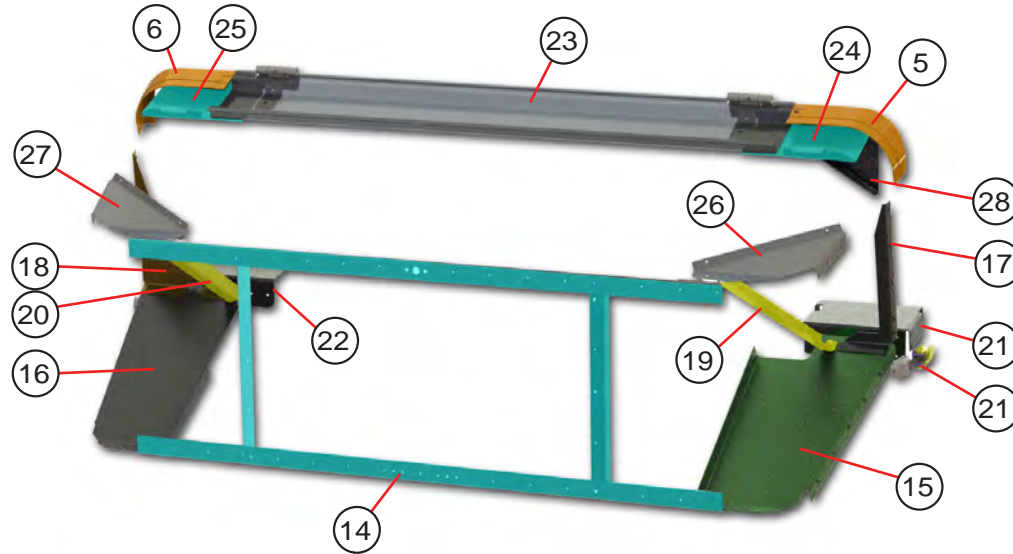
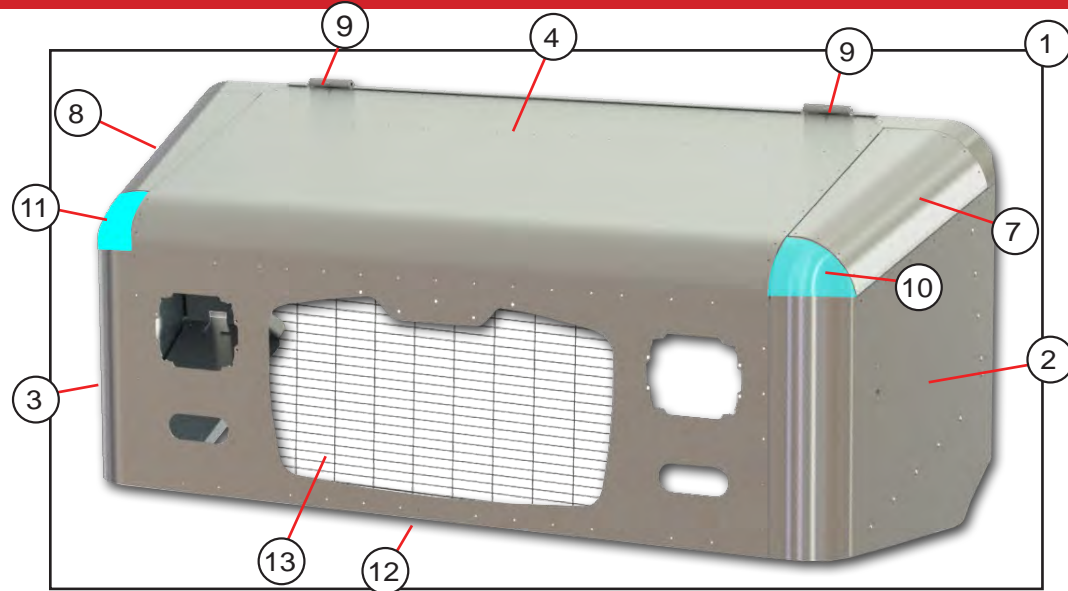
ITEM #	PART #	DESCRIPTION	QTY	UNIT
1	188055402	WINDSHIELD FRAME AL .102X53.45X67.53 LH	1	EA
2	188055403	WINDSHIELD FRAME AL .102X53.45X67.76 RH	1	EA
3	077055402	GUSSET FRAME W/S AL .125X6.49X7.27	1	EA
4	998555329	GUSSET FRAME W/S AL .125X4.6X9.19	1	EA
5	077055401	POST W/S CENTER AL 450540X44	1	EA
6	077055405	STIFFENER W/S AL 450540X41.75	2	EA
7	077050402	SHIM AL .25X1.63X20.8	1	EA
8	190005400	ENGINE BOX SADDLE AL .125X20.41X33.26	1	EA
9	187005416	SADDLE LOWER FILLER AL .125X11X14.98	1	EA
10	190005401	ENGINE BOX SIDE AL .102X19.64X30.51 LH	1	EA
11	187005411	TOEBOARD DASH AL .125X4.6X44.49 LH	1	EA
12	187005410	TOEBOARD AL .125X8.48X30.09 LH	1	EA
13	217005444	DASH WALL HEATER AL .125X25.89X61.35	1	EA
14	117005408	PANEL DASH AL.102X26.96X28.02	1	EA
15	190005403	ENGINE BOX HOUSING AL .102X22.53X32.55 RH	1	EA
16	190005402	ENGINE BOX TOP AL .125X15.86X33.58	1	EA
17	217005404	DASH WALL AL .125X8.73X27.29 LH	1	EA
18	47008545	VENT AL 2 WAY HINGELESS	1	EA
19	47008548	GASKET FOR SALEM VENT	1	EA
20	227005403	CAB SKIRT AL .07X27.42X30.57 LH	1	EA
21	227005404	CAB SKIRT AL .07X27.29X30.57 RH	1	EA
22	8502000	CORNER AL CASTING W/S LH	1	EA
23	8502001	CORNER AL CASTING W/S RH	1	EA
24	187005417	DASH SHELF 88W AL .125X13.73X84	1	EA
25	227005405	STIFFENER W/S AL .125X13.24X17.69 LH	1	EA
26	228005402	STIFFENER W/S AL .125X13.24X17.69 RH	1	EA
27	177005411	SUPPORT RAIL W/S AL.102X8.26X9.65 LH	1	EA
28	177005412	SUPPORT RAIL W/S AL .102X8.26X9.65 RH	1	EA
29	083005432	RAIL W/S 88W AL 851100X84	1	EA
30	217005439	PLATE AIR INTAKE COVER AL .102X7.65X8.63	1	EA
31	217005438	BRACKET AIR INTAKE AL .102X12.18X18.35	1	EA
32	077050406	GUSSET TOEBOARD AL .125X5.23X14.88 RH	1	EA
33	178050400	PLATE SCUFF HEEL ALD .125X7X10.91	1	EA
34	1107270	SEAL TRIM	8	FT
35	47006630	CLIP PLASTIC ROUND/HEAD 1.32-1.34	12	EA
36	190028400	LID ENGINE BOX AL .102X19.33X34.47	1	EA
37	47007859	HINGE OFFSET (ENGINE BOX LID)	2	EA
38	117028400	SHIM ENGINE BOX	2	EA
39	1113336	LATCH ENGINE BOX	2	EA
40	005756400	GLASS -WINDSHIELD	2	EA
41	006756400	GLASS - SIDE WINDOW	2	EA
42	44004304	WEATHER STRIP WINDSHIELD	2	EA
43	44004309	WEATHER STRIP SIDE WINDOW	2	EA



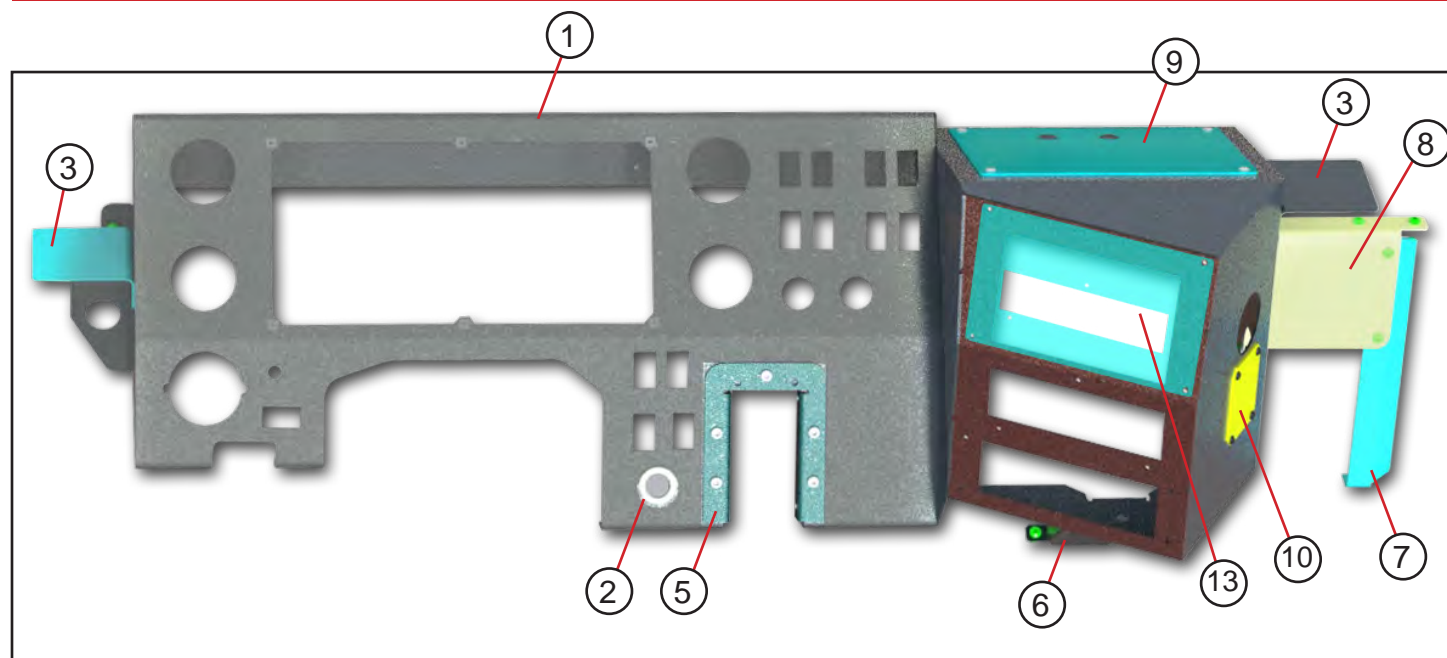
ITEM #	PART #	DESCRIPTION	QTY.	UNIT
1	077240400	CROSSMEMBER CENTER AL 456106X41	1	EA
2	227024206	STEP ASSEMBLY WELDMENT LH 93W	1	EA
3	227024202	STEP ASSEMBLY WELDMENT RH 93W	1	EA
4	077050402	SHIM AL .25X1.62X20.8	1	EA
5	96724608	PAD DAMPENING VINYL 9X20	6	FT
6	41002103	SEALANT ADHESIVE	2	EA
7	228019405	TRIM TOEBOARD ALD RH	1	EA
8	228019406	TRIM TOEBOARD ALD LH	1	EA
9	47009547	SAFETY KIT 3 TRIANGLES IN STORAGE BOX	1	EA
10	47009548	BRACKET MOUNTING TRIANGLE KIT	1	EA
11	187024200	TRANSVERSE FLOOR PLATE WELDMENT	1	EA
12	40900080	STUD	7	EA
13	40900081	GROMMET HALF	7	EA
14	40900082	SPRING	7	EA
15	47006630	CLIP PLASTIC ROUND HEAD	17	EA
16	167024405	LID BATTERY COVER (STEP)	1	EA
17	187024401	HINGE - BATTERY COVER 20"	1	EA
18	1113334	LATCH STEP	2	EA
19	107024415	PLATE FILLER STEP RH	1	EA
20	107024416	PLATE FILLER STEP LH	1	EA
21	188028405	INSULATION E/BX TOP 1X12.18X28.34	1	EA
22	188028408	INSULATION E/BX SIDE 1X17.56X27.46 RH	1	EA
23	188028407	INSULATION E/BX SIDE 1X17.44X27.32 LH	1	EA
24	188028404	INSULATION E/BX LID 1X12X25	1	EA
25	188028406	INSULATION E/BX SADDLE 1X7X21.5	1	EA
26	47009600	CARPET GRAY ENGINE BOX LID	3	FT
27	208024412	ANGLE TRIM FLOOR	1	EA
28	227076404	SHELF COVER AL .102X17.13X85.31	2	EA
29	227076405	COVER MOTOR WPR AL .102X14.85X57.25	1	EA
30	227076406	COVER TOP AL .102X8.54X29.52	1	EA
31	088076449	BRACKET MOUNTING AL .102X2.36X3.9 LH/RH	3	EA
32	088076431	PLATE COVER ACC AL .070X5X12	3	EA
33	097076435	PLATE COVER ACC AL .070X6X28.38	1	EA
34	197076403	DIVIDER SHELF AL .102X13.4X21.04	1	EA
35	45200051	TRASH RECEPTICLE	1	EA
36	1129005	TRIM QUICK EDGE	7	FT
37	227116401	ACOUSTICAL COWL INSULATION	1	EA



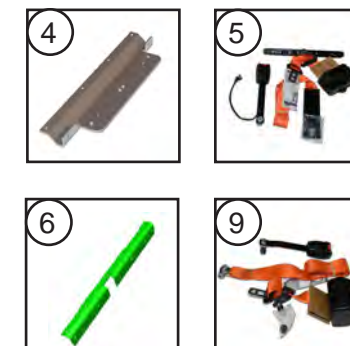
ITEM #	PART #	DESCRIPTION	QTY	UNIT
1	555001018	HEATER ASSEMBLY	1	EA
2	47008797	HEATER COIL W/GASKET	1	EA
3	46032339	BLOWER MOTOR	1	EA
4	47008799	CLIP	1	EA
5	47008769	BLOWER WHEEL	1	EA
6	47008357	RESISTER	1	EA
7	47008800	HOSE ADAPTER	1	EA
8	47008795	RESISTER CAGE	1	EA
9	47008794	BLOWER HOUSING	1	EA
10	47008796	VENTURI RING	1	EA
11	47008730	VENT TUBE	1	EA
12	47008731	VENT TUBE ADAPTER	1	EA
13	47008716	RELAY	1	EA
14	47008758	HARNES	1	EA
15	47008580	FORMED HEATER HOSE	2	EA
16	555002057	VALVE WATER	1	EA
17	005780402	PLATE MOUNTING FOOT DUMP VENT	1	EA
18	47008705	ACTUATOR MOTOR	1	EA
20	555001413	CONTROL PANEL ASSEMBLY	1	EA
21	47008706	KNOB	2	EA
22	47008735	KNOB	1	EA
23	47008707	DECAL	1	EA
24	47008708	LIGHT PANEL	1	EA
25	47008709	CONTROL SUB PANEL	1	EA
26	46023202	BLOWER SWITCH	1	EA
27	47008710	POTENTIOMETER SWITCH	2	EA
28	47008711	HARNES ILLUMINATION W/BULBS	1	EA
29	47008712	HARNES BLOWER MOTOR SWITCH	1	EA
30	555001723	DEFROST DUCT CURBSIDE METAL	1	EA
31	555001724	DEFROST DUCT ROADSIDE METAL	1	EA
32	093080400	HOLD DOWN PLATE DEFROSTER DUCTS	4	EA
33	555001524	HOSE DEFROSTER 2.5X30	1	EA
33	555001525	HOSE DEFROSTER 2.5X38 (2X DEFROSTER / 1XFOOT DUMP)	3	EA
35	217005438	BRACKET FRESH AIR INTAKE	1	EA
36	217005439	COVER PLATE - AIR INTAKE	1	EA
37	555001715	LOUVER BALL	6	EA
38	555001533	HOSE BLOWER HEATER / DEFROSTER 5" X 7.5"	1	EA
39	220063400	BRACKET MOUNTING WATER VALVE AL .102X3X11.67	1	EA
40	555001330	PLENUM DUCT HVAC	1	EA
41	555001523	HOSE DEFROSTER 2.5X16	1	EA
42	47008017	CONNECTOR STRAIGHT .62ID BLACK NYLON	2	EA
43	47008691	HOSE HEATER FORMED 8.5"	1	EA
44	090080401	HEATER VENT - FOOT DUMP	1	EA



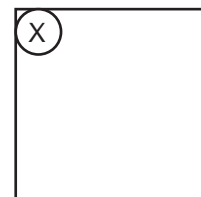
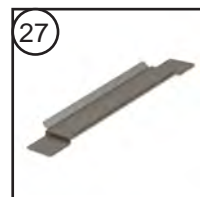
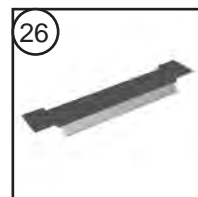
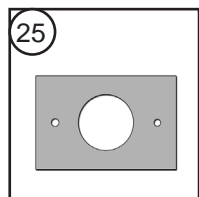
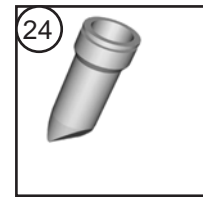
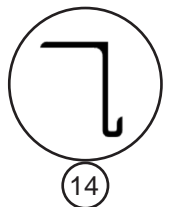
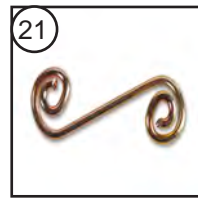
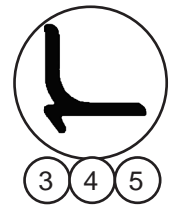
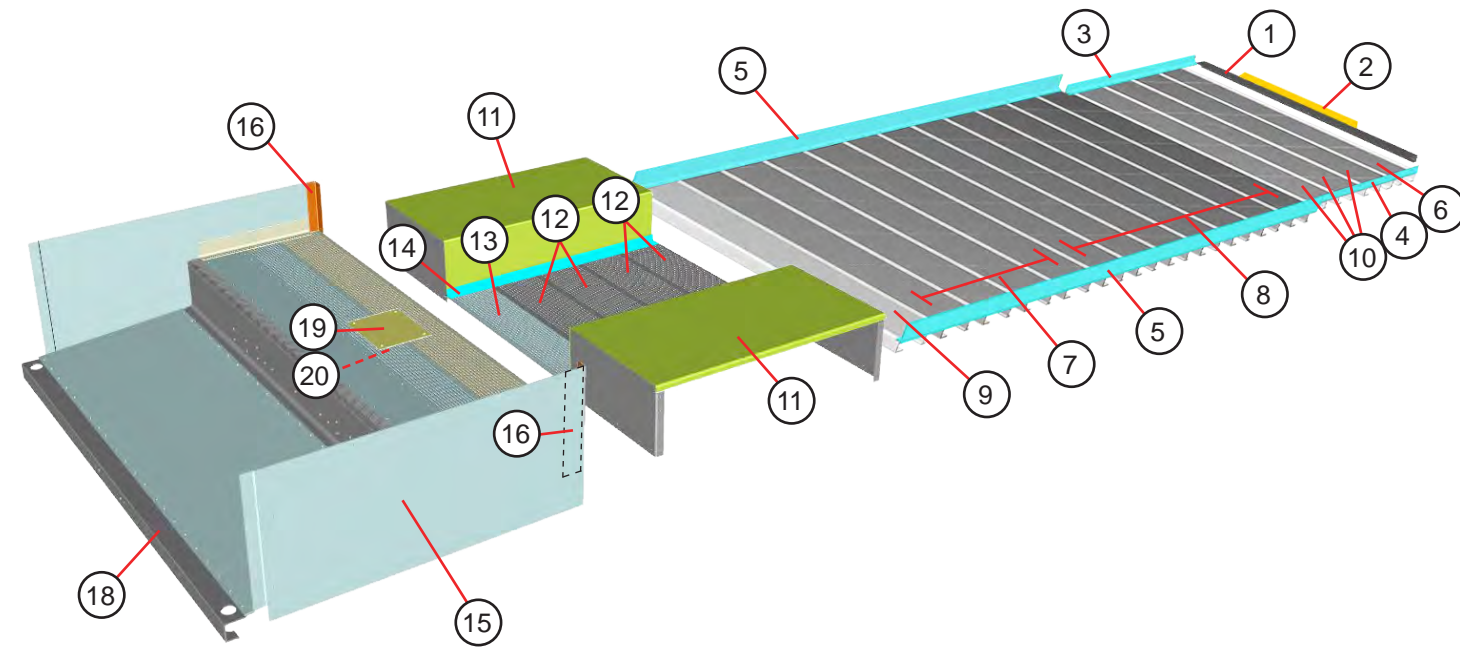
ITEM #	PART #	DESCRIPTION	QTY	UNIT
1	197017000	HOOD INSTILLATION 88W	1	EA
2	088017414	SKIRT HOOD AL .07X30.78X33.11 LH	1	EA
3	088017415	SKIRT HOOD AL .07X30.78X33.11 RH	1	EA
4	197017400	PANEL HOOD FCC AL .07X53.36X67	1	EA
5	45100060	CAP AL COWL END AFT LH	1	EA
6	45100061	CAP AL COWL END AFT RH	1	EA
7	088017416	COWL HD AL .07X15.91X22.28 LH	1	EA
8	088017417	COWL HD AL .07X15.91X22.28 RH	1	EA
9	47007852	HINGE COMPLETE ASSEMBLY	2	EA
10	45100057	COR AL CST KNEE COWL FRT LH	1	EA
11	45100058	COR AL CST KNEE COWL FRT RH	1	EA
12	90187300	GRAB HANDLE AL .5DIA2.13X9	1	EA
13	45701001	GRILLE	1	EA
14	207017200	SUPPORT ASSEMBLY GRILLE 88W	1	EA
15	197017401	SPLASH PAN AL .102X16.45X26.95 LH	1	EA
16	197017402	SPLASH PAN AL .102X16.45X26.95 RH	1	EA
17	197017404	SPLASH PAN SUPPORT AL .102X6.7X16.84 LH	1	EA
18	197017406	SPLASH PAN SUPPORT AL .102X13.07X16.84 RH	1	EA
19	197017405	STRAP SPLASH PAN AL .125X7.83X25.8 LH	1	EA
20	088017438	STRAP SPLASH PAN AL .125X2.98X25.76 RH	1	EA
21	197026400	SPLASH PAN AL .125X11.25X15.08 LH	1	EA
22	147026401	SPLASH PAN 88W AL.125X8.47X17.68 RH	1	EA
23	088017419	STINFENER HOOD AL 450015X63.62	1	EA
24	115017403	STIFFENER HOOD AL .102X10.98X15 LH	1	EA
25	115017404	STIFFENER HOOD AL .102X10.98X15 RH	1	EA
26	95817312	GUSSET CORNER AL .07X13.52X14.72LH	1	EA
27	95817313	GUSSET CORNER AL .07X13.52X14.72RH	1	EA
28	147026414	CHANNEL DRIP GUARD AL .07X8.37X12.28 LH	1	EA
29	96717312	SHIM HOOD HINGE AL .055X.63X1.88	2	EA
30	91617304	PLATE TAP AL .188X2X2.69 (HOOD HINGE)	2	EA
31	197016401	BRACKET GAS SPRING AL .125X5.1X16.49 LH	1	EA
32	197016402	BRACKET GAS SPRING AL .125X5.1X16.49 RH	1	EA
33	47006116	GAS SPRING LOCKING 150LB 28/16.5	1	EA
34	47006117	GAS SPRING W/O LOCK 150LB 28/16.5	1	EA
35	40900019	STUD BALL 13MM	4	EA
36	097016404	SUPPORT ANGLE AL .188X1.5X6.29 RH	1	EA
37	097016405	SUPPORT ANGLE AL .188X1.5X6.29 LH	1	EA
38	124016404	BRACKET HOOD LOWER AL.188X2.9X6.4 RH	1	EA
39	124016403	BRACKET HOOD LOWER AL.188X2.9X6.4 LH	1	EA
40	44002004	BUMPER RUBBER HOOD	1	EA
41	077150400	SUPPORT HOOD REST STEEL 11GAX5.53X9.62	2	EA
42	96713300	ANGLE HOOD REST STEEL 11GAX1.85X4.74	2	EA
43	47000614	LATCH HOOD	2	EA
44	43001025	LABEL - PROPER USE INSTRUCTION	1	EA



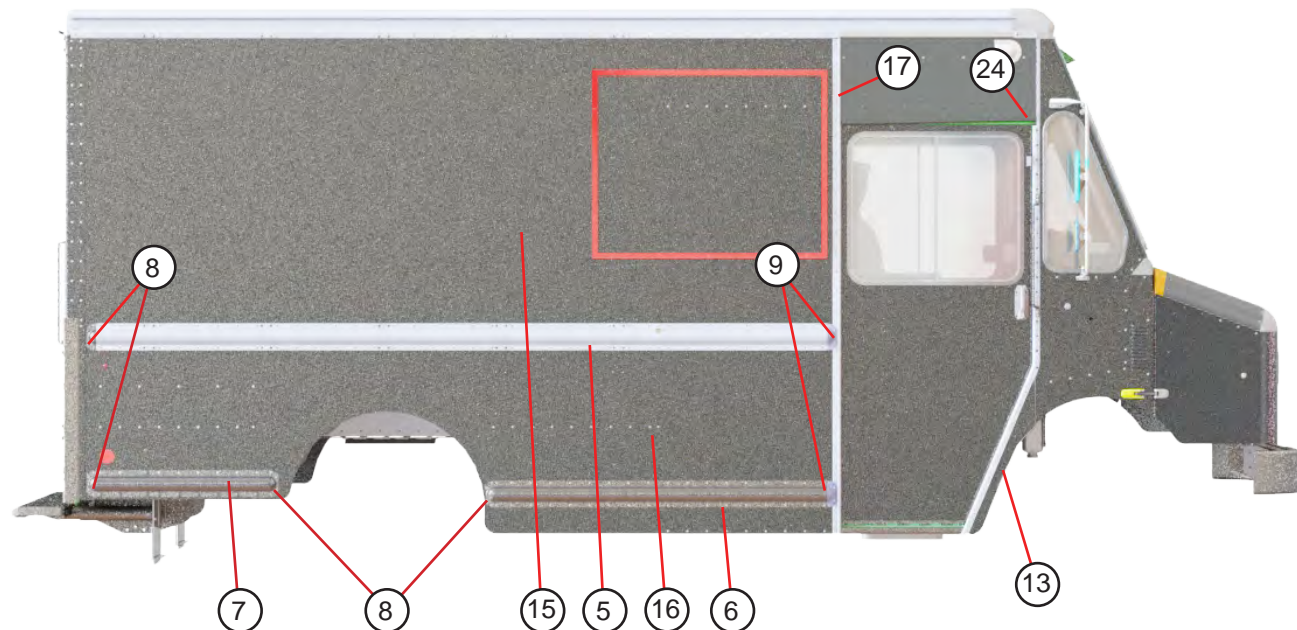
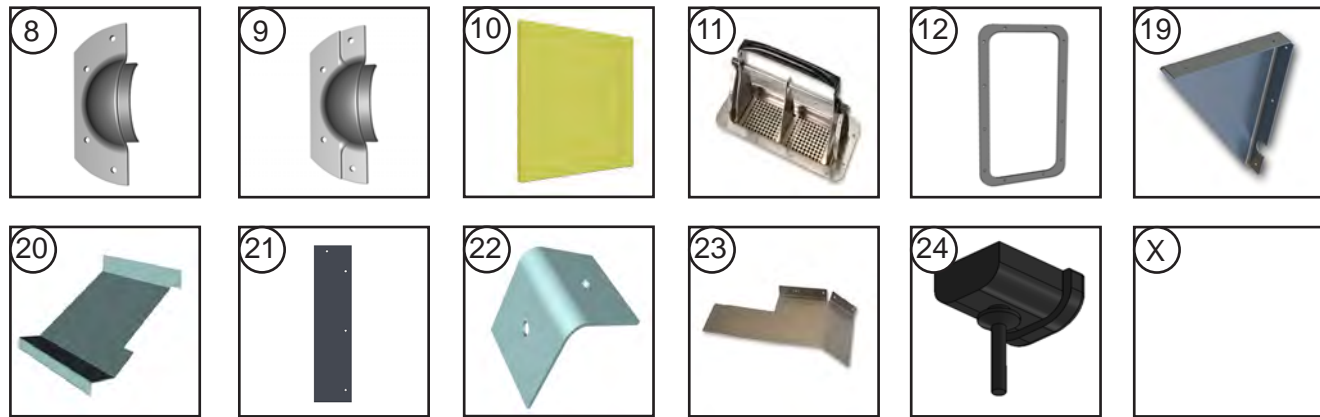
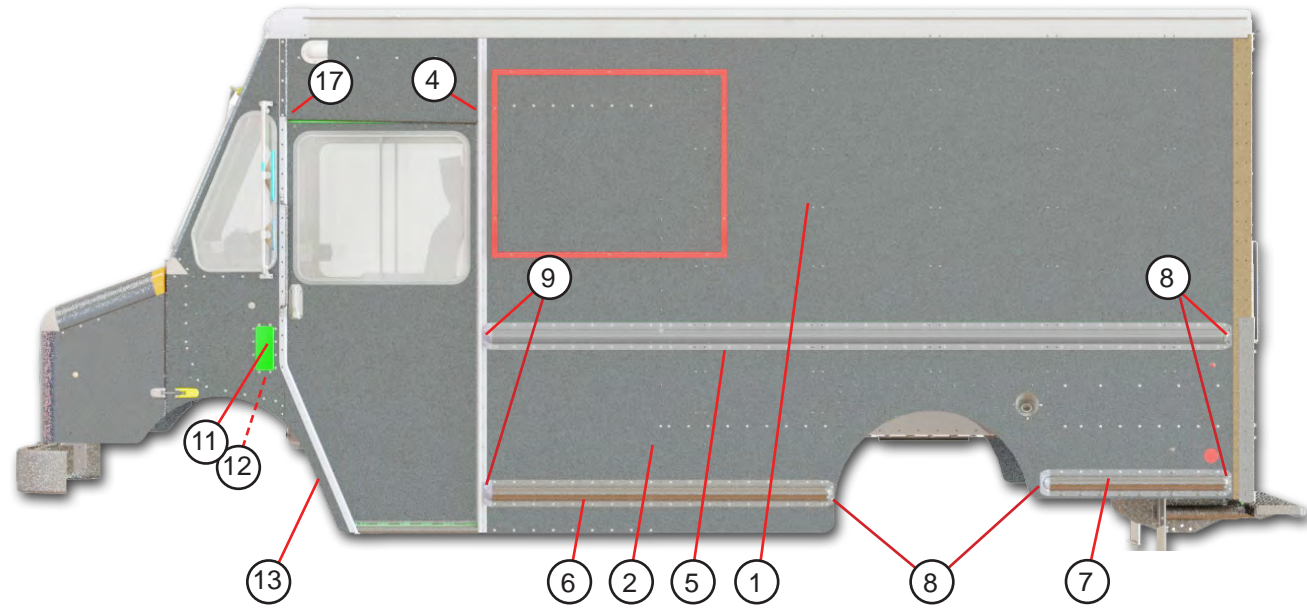
ITEM #	PART #	DESCRIPTION	QTY	UNIT
1	228027201	INSTRUMENT PANEL WELDMENT	1	EA
2	006327209	SPACER SWITCH IGNITION	1	EA
3	220027400	BRACKET MOUNTING TBLT	2	EA
4	40300919	FASTENER CHRISTMAS TREE	2	EA
5	002027423	BRACKET SHFTER STL 11GAX4.87X6.43	1	EA
6	215027409	BRACKET I/P AL .102X4.32X10.55	1	EA
7	118027414	BRACE AL .125X1.91X12.9	1	EA
8	114027403	BRACKET MOUNTING AL .125X6.49X8.51	1	EA
9	218027409	PLATE ACCESS COVER AL .102X9X11	1	EA
10	180027410	PLATE COVER HVAC AL .102X3X3.46	1	EA
11	1111520	HOLE PLUG	1	EA
12	46026432	POWER PORT USB 5V OUTPUT	1	EA
13	220024400	PLATE COVER I/P AL .07X5.74X9.6	1	EA
14	1111513	HOLE PLUG	1	EA
15	46026378	RECEPTICLE 12V POWER W/ TETHER SS BODY	1	EA



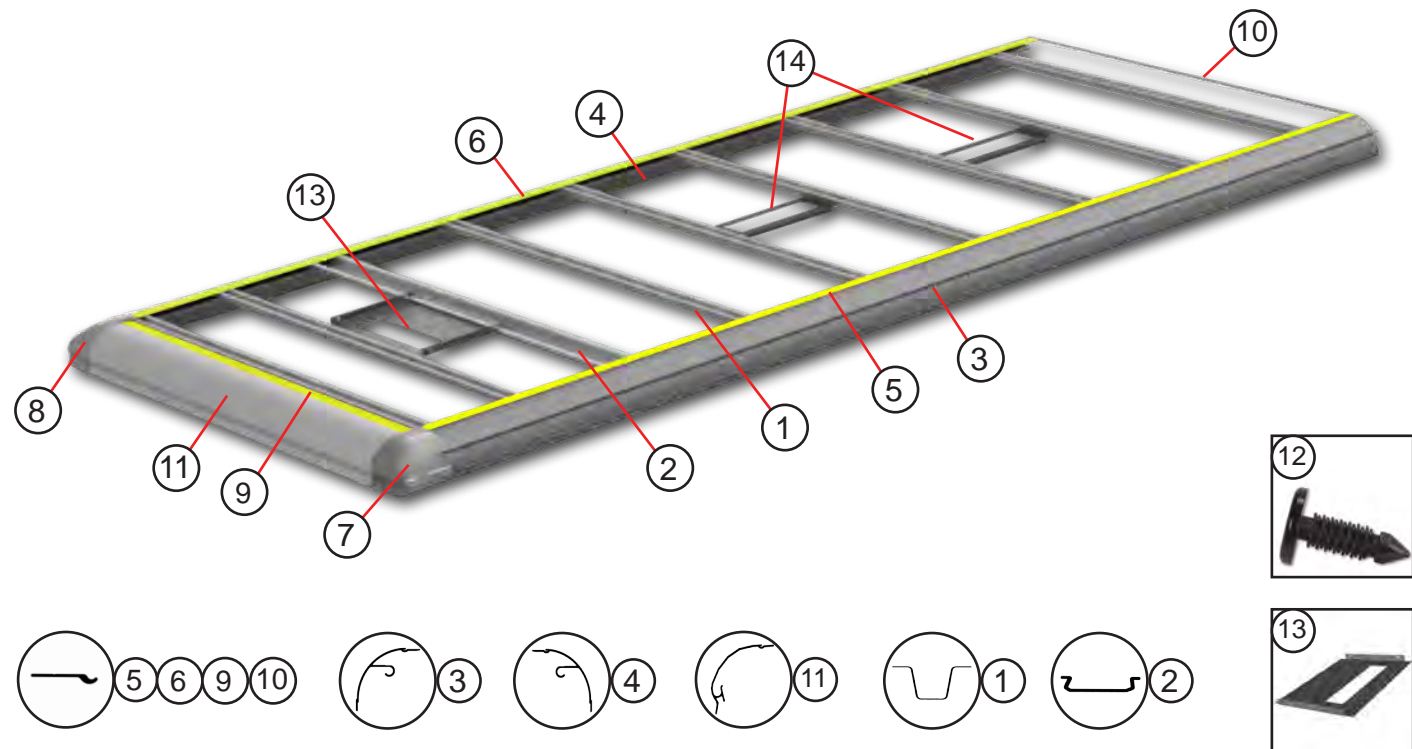
ITEM #	PART #	DESCRIPTION	QTY.	UNIT
1	47002685	SEAT DRIVER	1	EA
2	47002686	SEAT BASE	1	EA
3	47011208	ARM REST ROADSIDE (LH)	1	EA
4	005754400	BRACE SUPPORT STEEL 7GAX9.43X23.43	1	EA
5	47003199	SEAT BELT WITH BOOT ADJUSTABLE D ORANGE	2	EA
6	91614300	ANGLE FLOOR .188X2.84X19.1	1	EA
7	47002706	HEAD / BACK REST JUMP SEAT	1	EA
8	47002705	FOLDING SEAT JUMP	1	EA
9	47004401	SEAT BELT W/BOOT 3 POINT ORANGE	1	EA



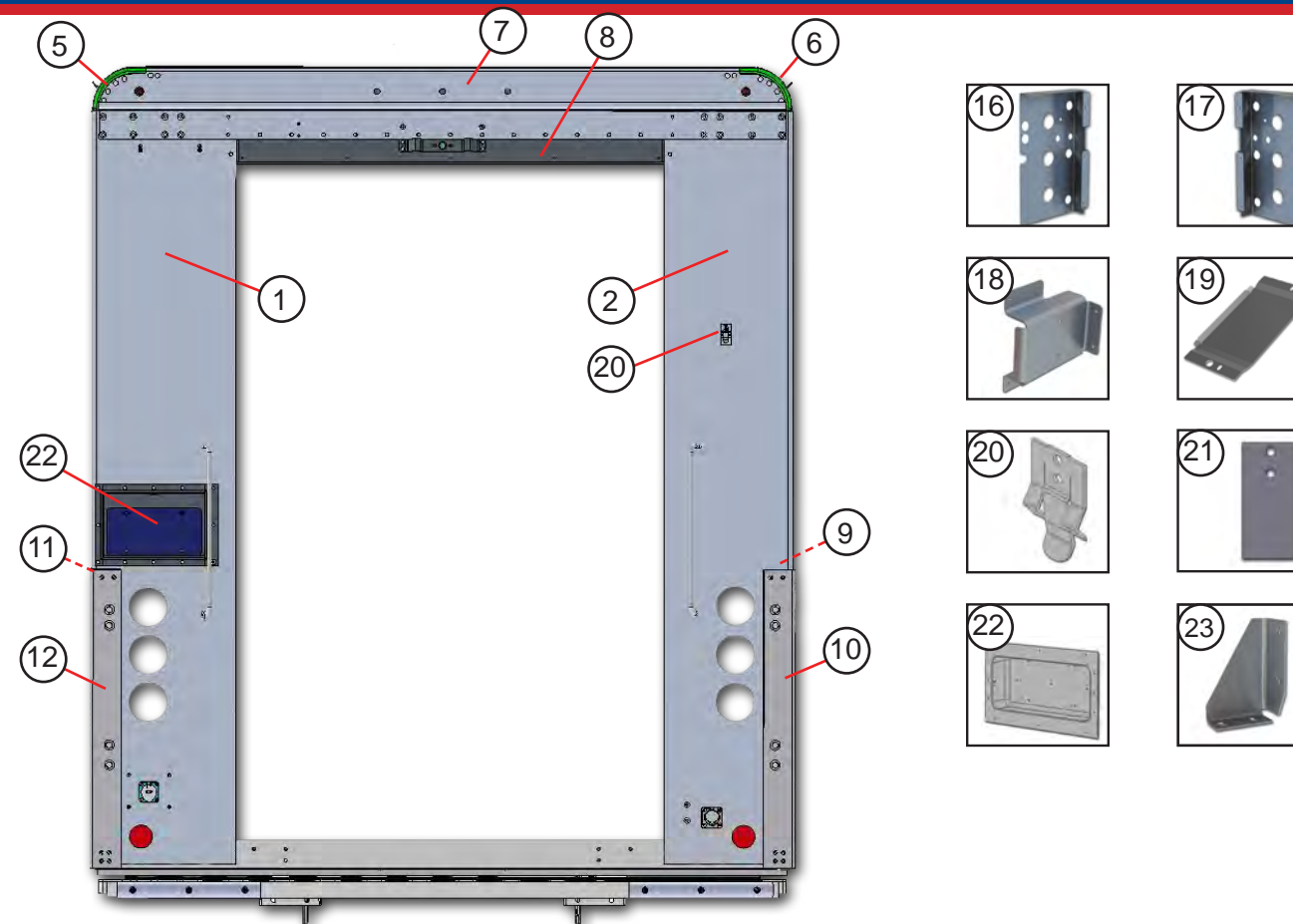
ITEM #	PART #	DESCRIPTION	QTY.	UNIT
1	187030400	BEAM @ O/LINE AL 480000X81.38	1	EA
2	001730416	ANGLE STEP AL 450187X33.38	1	EA
3	181030400	ANGLE FLOOR @ DOOR/POCKETS LH	1	EA
4	181030401	ANGLE FLOOR @ DOOR/POCKETS RH	1	EA
5	147031400	ANGLE FLOOR AL 450303X99.38 LH	2	EA
6	45058300	BEAM AL FLOOR RIBBED FEM/LAP 7X81.25	1	EA
7	45058601	BEAM AL FLOOR RIBBED M/FEM 9X87.25	4	EA
8	45058402	BEAM AL FLOOR RIBBED M/FEM 8X87.25	7	EA
9	45058700	BEAM AL FLOOR RIBBED M/FEM 8.5X87.25	1	EA
10	45058413	BEAM AL FLOOR RIBBED M-FEM 8X81.25	3	EA
11	117032200	WHEEL BOX ASSEMBLY	2	EA
12	200032403	BEAM AL FLOOR RIBBED M-FEM 9X40.44	4	EA
13	200032401	BEAM AL FLOOR RIBBED M-M 8X40.44	1	EA
14	95869302	ANGLE WHEEL BOX ALE 450018X42	2	EA
15	227078202	DROP FLOOR WELDMENT P120	1	EA
16	094078417	ANGLE SUPPORT AL 450523X9.75	2	EA
17	157033401	BRACKET SILL AL .25X2.75X13.46	2	EA
18	178033401	SILL CROSSMEMBER AL456149X87.5	1	EA
19	128012421	ACCESS DOOR ASSEMBLY - REAR	1	EA
20	128012408	SUPPORT ACCESS DOOR REAR	1	EA
21	40900082	SPRING	4	EA
22	40900080	STUD	4	EA
23	40900081	GROMMET HALF	4	EA
24	47006607	DRAIN FLOOR ()	2	EA
25	97435300	MOUNTING PLATE - FLOOR DRAIN	2	EA
26	117032401	HEAT SHIELD AL .07X3.75X5.12	1	EA
27	217032400	BRACKET HEAT SHIELD	1	EA



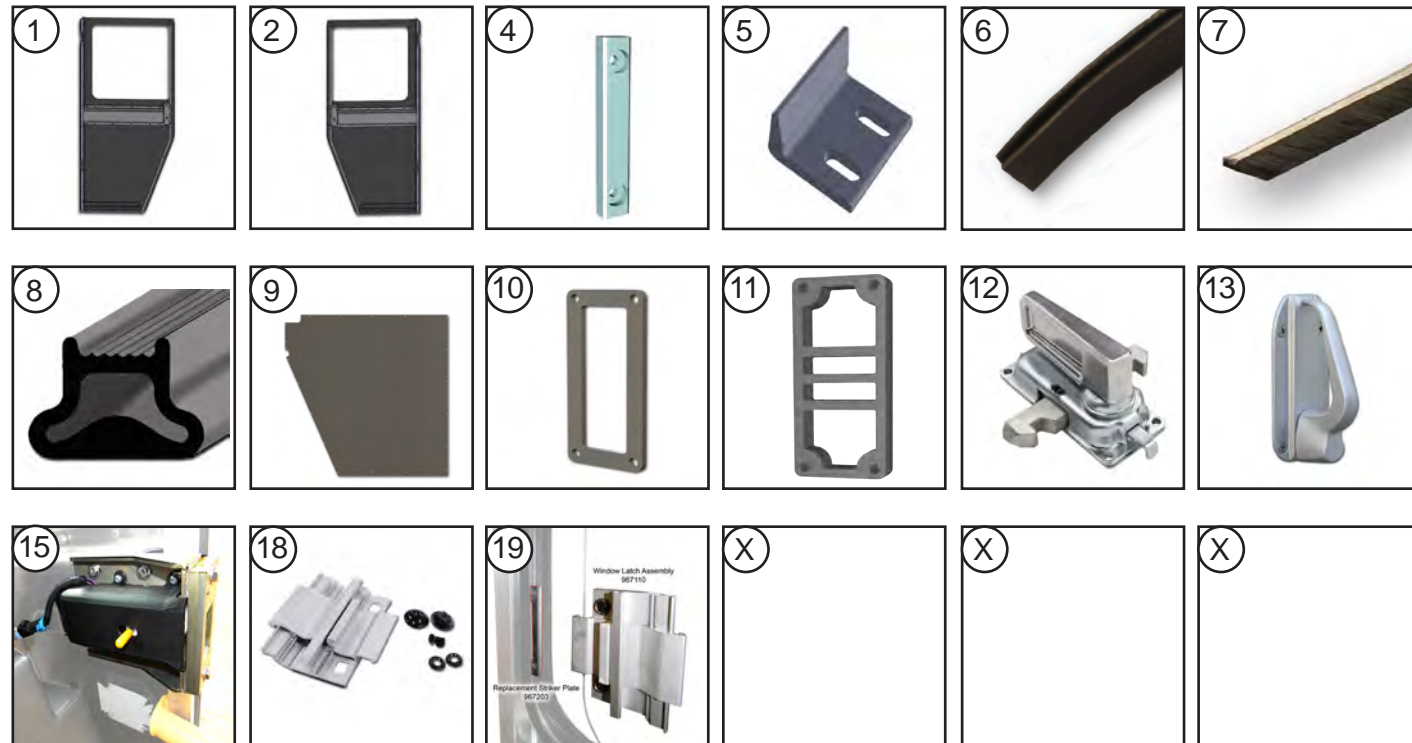
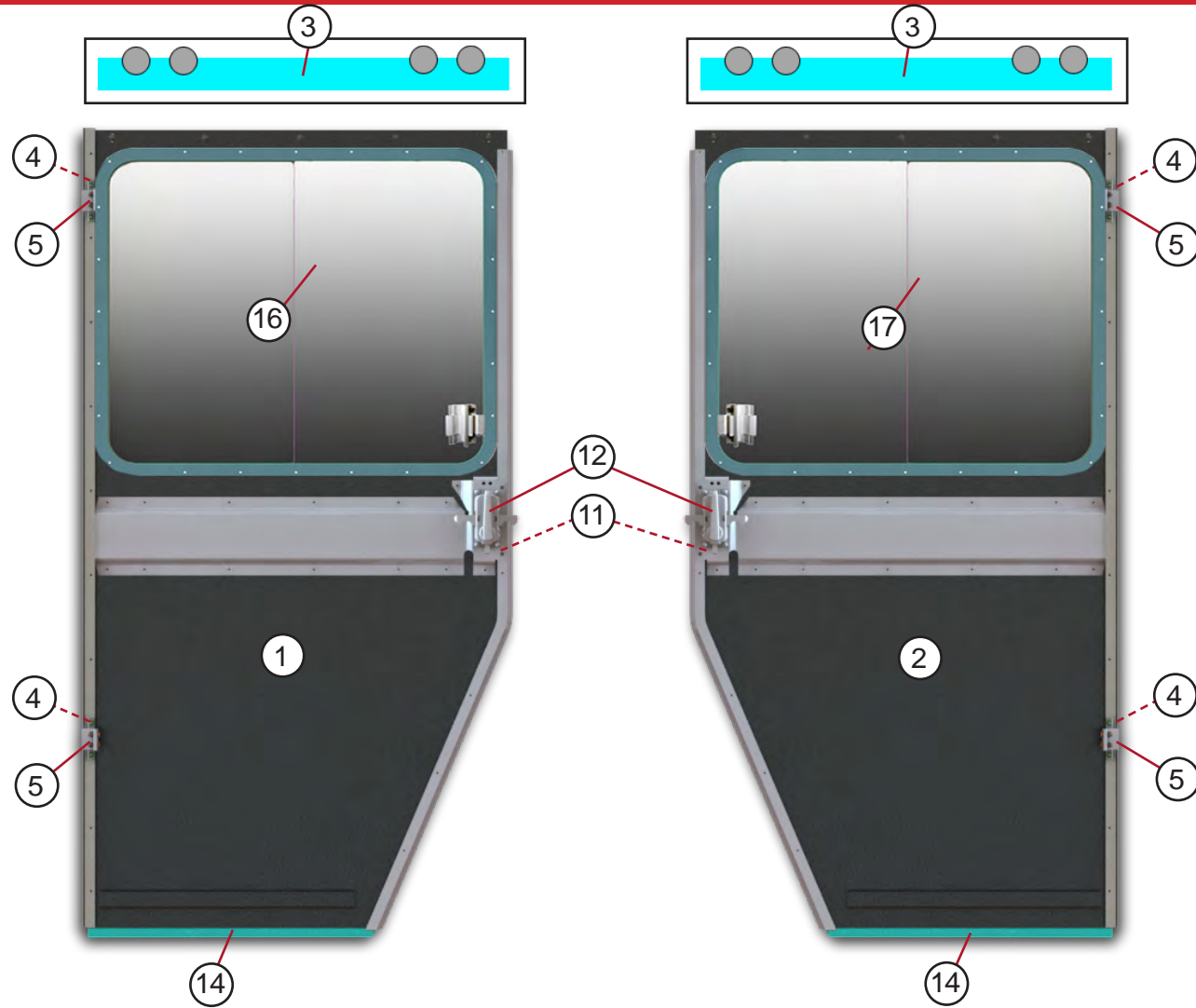
ITEM #	PART #	DESCRIPTION	QTY.	UNIT
1	227038406	SIDE PANEL UPPER AL .102X60X157.31 DLH	1	EA
2	227037411	SIDE PANEL LOWER AL .102X38.79X157.31 DLH	1	EA
4	107400400	"B" POST AL 450274X101.12 LH	1	EA
5	158039405	RUB RAIL AL450002X149.38	1	EA
6	158039406	RUB RAIL AL450002X68	1	EA
7	167039400	RUB RAIL AL450002X32.25	1	EA
8	1100799	END CAP REAR AL.125X2.37X5.5	4	EA
9	1100800	END CAP FORWARD AL .125X2.37X5.5	2	EA
10	7600165	PLATE FILLER RUB RAIL AL.125X2.88X3	1	EA
11	47008545	VENT AL 2WAY HINGELESS	1	EA
12	47008548	GASKET FOR VENT	1	EA
13	157022400	SKIRT TAIL LH	1	EA
15	227038407	SIDE PANEL UPPER AL .102X60X157.31 RH	1	EA
16	227037412	SIDE PANEL LOWER AL .102X38.79X157.31 RH	1	EA
17	107400401	POST "B" AL 450274X101.12 RH	1	EA
18	157022401	SKIRT TAIL LH	1	EA
19	96739301	GUSSETT FLOOR TO SIDE STRAP AL .125X2.1X16.02	2	EA
20	82312301	SPLASH PAN	1	EA
21	188012400	PLATE FILLER - FUEL FILL	1	EA
22	82312025	SUPPORT SPLASH PAN	1	EA
23	82312024	SPLASH PAN FUEL FILL	1	EA
24	44002024	RUBBER STOPPER @ DRIP RAIL	2	EA



ITEM #	PART #	DESCRIPTION	QTY	UNIT
1	45601604	ROOF BOW STEEL 16GA 456016 X84.12	8	EA
2	001710410	ROOF BOW @ O LINE 14GA 9.54X84.12	1	EA
3	098010445	ROOF RAIL 456144X193.25 ROADSIDE	1	EA
4	098010446	ROOF RAIL 456144X193.25 CURBSIDE	1	EA
5	088010504	RAIL INTERLOCK AL 450140X193.25 ROADSIDE	1	EA
6	088010505	RAIL INTERLOCK AL 450140X193.25 CURBSIDE	1	EA
7	077100400	CORNER CASTING ROADSIDE	1	EA
8	077100401	CORNER CASTING CURBSIDE	1	EA
9	89310506	INTERLOCK ROOF NOSE	1	EA
10	001710408	INTERLOCK ROOF TRANSOM	1	EA
11	083010401	ROOF NOSE AL 456107X77.5	1	EA
12	47006610	CLIP PLASTIC FLAT HEAD	30	EA
13	090091403	BRACKET DOME LAMP CAB AL .102X19.25X25.32	1	EA
14	100092401	BRACKET DOME LAMP CARGO AL .07X7.75X24.75	2	EA
NS	45200847	ROOF SKIN .075X77XFT	16.3	FT
NS	1109001	INSULATION FBG	6.83	FT
NS	155011400	LINER ROOF EMBOSSED .023X37X82	1	EA

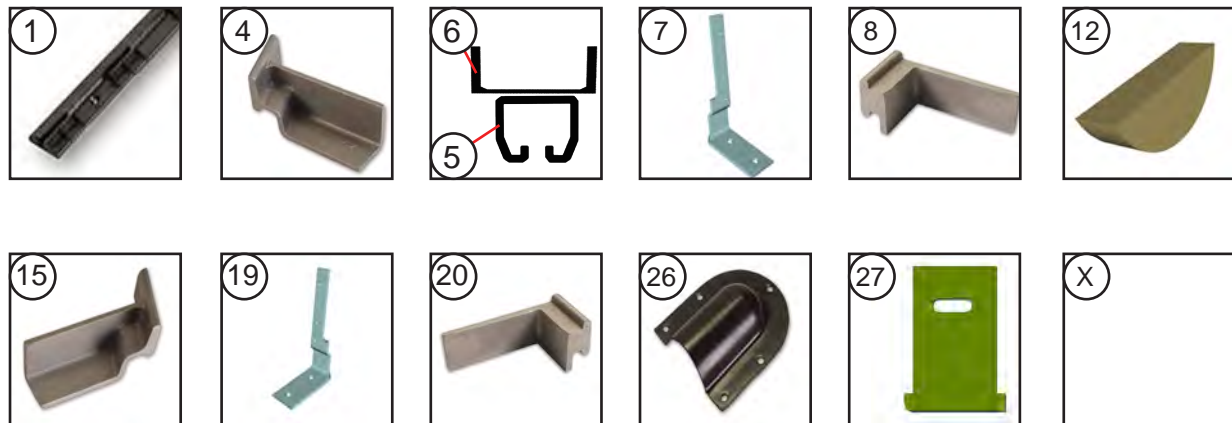
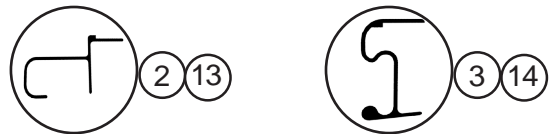
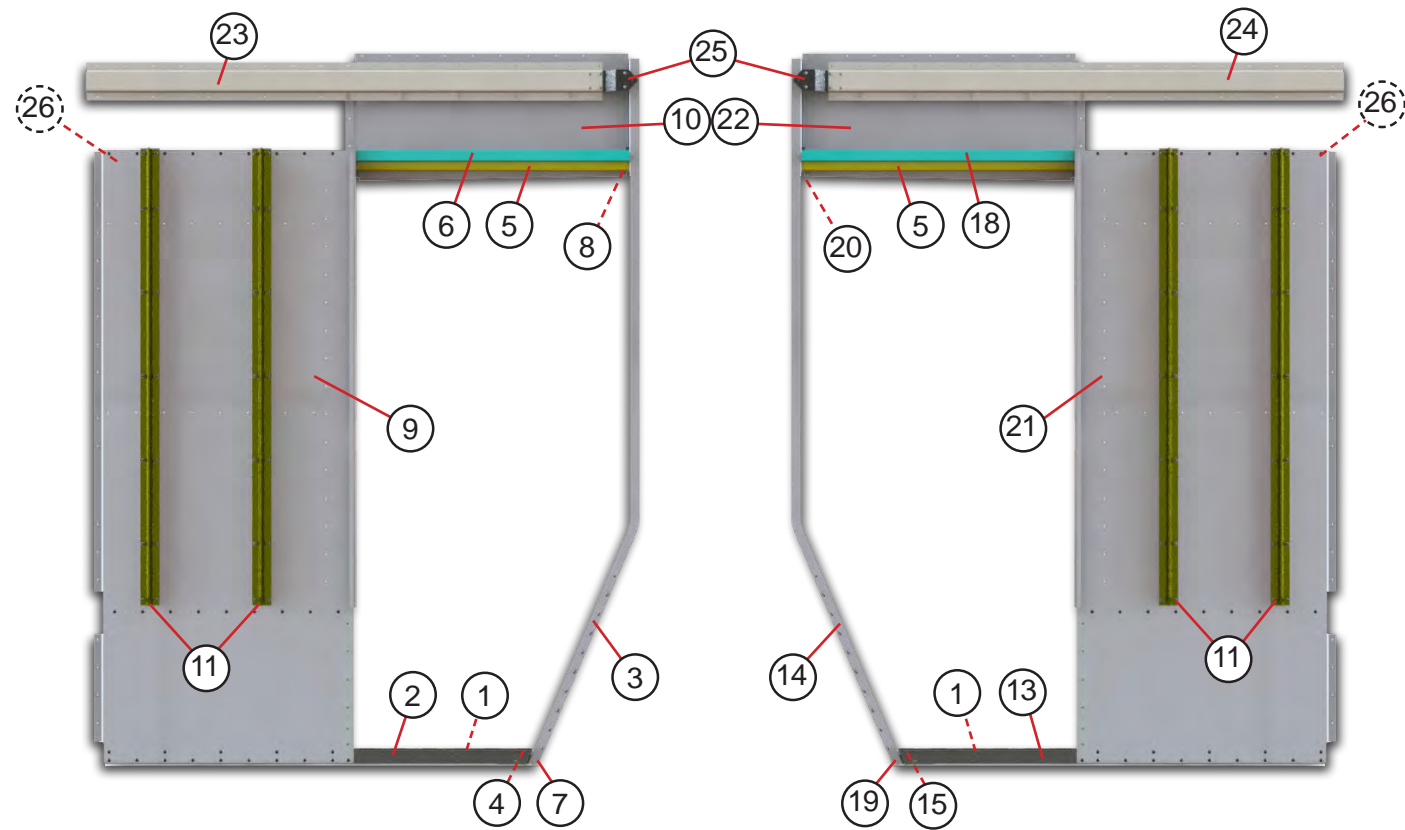


ITEM #	PART #	DESCRIPTION	QTY	UNIT
1	227053409	PANEL BACK AL .188X22.04X95 LH	1	EA
2	227053410	PANEL BACK AL .188X20.04X95 RH	1	EA
3	187050407	ANGLE SUPPORT AL .102X5.11X6.11 LH	1	EA
4	187050408	ANGLE SUPPORT AL .102X5.11X6.11 RH	1	EA
5	45100098	CORNER CASTING AL ROOF REAR LH	1	EA
6	45100099	CORNER CASTING AL ROOF REAR RH	1	EA
7	227053414	TRANSOM AL 450352X86.63	1	EA
8	227053413	PLATE HEADER AL .188X6.43X56.26	1	EA
9	200053403	REINFORCEMENT INNER AL .188X7.62X34 RH	1	EA
10	200053408	REINFORCEMENT OUTER AL 450176X37.69 RH	1	EA
11	200053402	REINFORCEMENT INNER AL .188X7.62X34 LH	1	EA
12	200053407	REINFORCEMENT OUTER AL 450176X37.69 LH	1	EA
NS	167050406	CONDUIT WIRING BACK X43	1	EA
NS	167050407	CONDUIT WIRING BACK X57	1	EA
NS	40400054	CLAMP CONDUIT 2.375 DIA	5	EA
16	157050407	GUARD LAMP REAR AL .102X16.99X24.01 LH	1	EA
17	237050400	GUARD LAMP REAR AL .102X15.84X24.04 RH	1	EA
18	187050412	GUARD LAMP SIDE AL .102X8.76X10.07	2	EA
19	197081400	GUARD LAMP AL .07X7.32X11.09	1	EA
20	47009300	SPRING CLIP	1	EA
21	165119400	BACKER PLATE SPRING CLIP SS 14GA X1.25X2.65	1	EA
22	147052200	LICENSE PLATE BOX	1	EA
23	187050407	SUPPORT BRACKET	2	EA

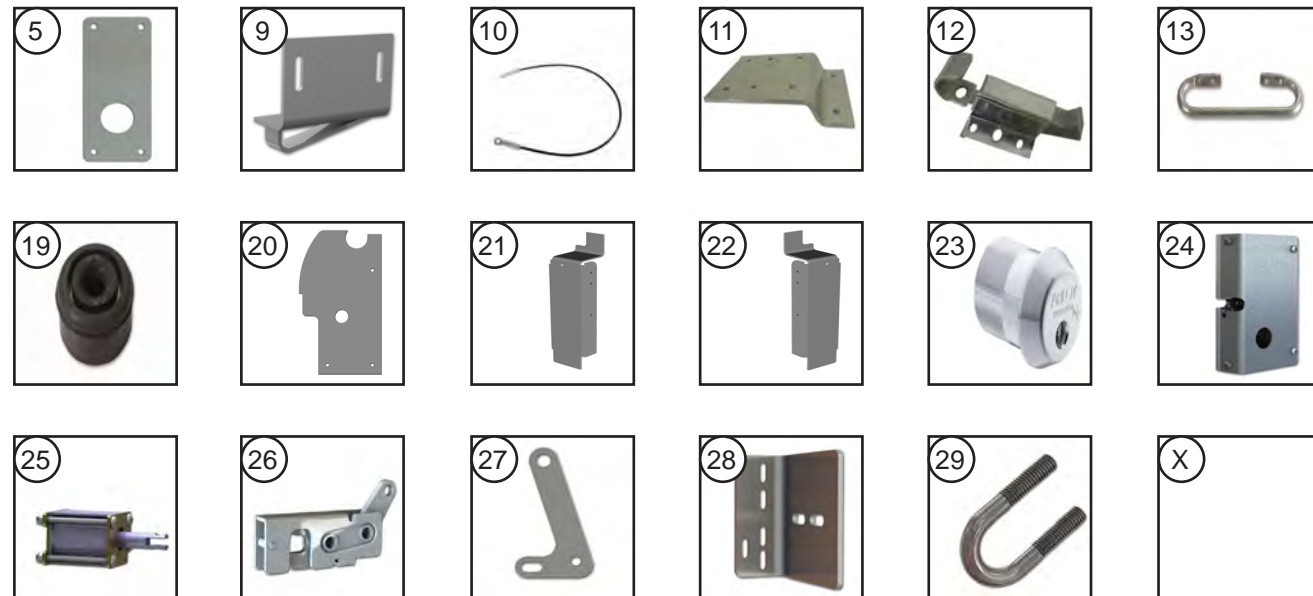
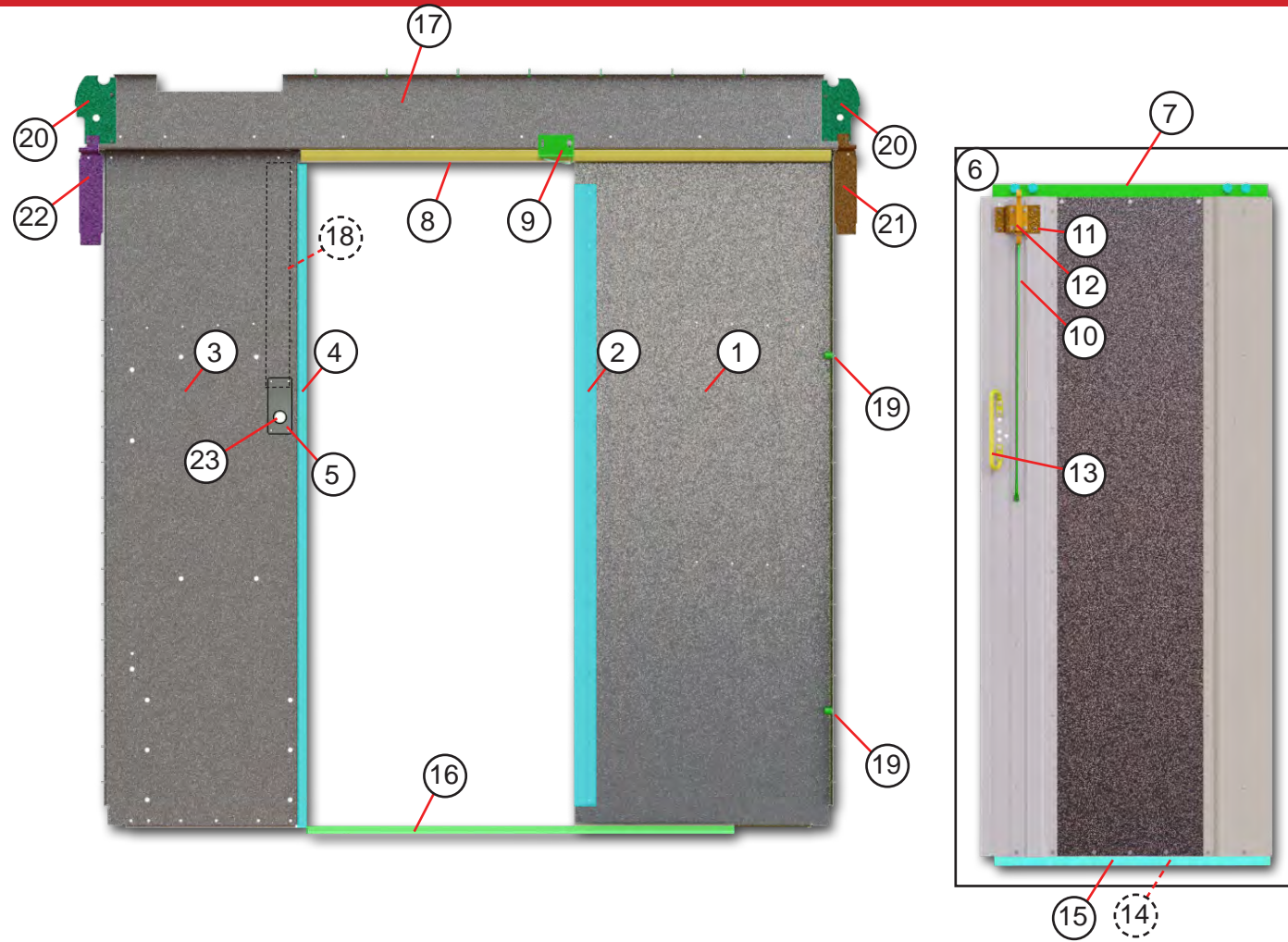


ITEM #	PART #	DESCRIPTION	QTY*	UNIT
1	210060201	DOOR ASSEMBLY LH	1	EA
2	210060202	DOOR ASSEMBLY RH	1	EA
3	96760203	HANGER ASSEMBLY W/ BEARINGS	1	EA
4	45200206	SPACER ANTI RATTLE	2	EA
5	45300377	CLIP ANTI RATTLE	2	EA
6	44000260	TRIM - QUICK EDGE	1	FT
7	44008050	SEAL BRUSH TYPE B 1 X83.9	2	EA
7	44004060	SEAL BRUSH TYPE C 1.5 X82	2	EA
8	44004104	RUBBER DOOR SEAL	1	EA
9	45210007	PANEL LINER LH	1	EA
9	45010009	PANEL LINER RH	1	EA
10	157060404	SPACER DOOR LATCH AL .188X2.5X5.5	1	EA
11	087181	LHW SPCR .54 DP ZN	1	EA
12	45100168	LOCK MECHINISM INNER	1	EA
13	47001326	HANDLE DOOR NON LOCKING POWDER COAT SILVER	1	EA
14	210060408	WEAR STRIP AL 450008X26 L/R	1	EA
15	46029041	LOCK ASSEMBLY KEYLESS LH	1	EA
15	46029042	LOCK ASSEMBLY KEYLESS RH	1	EA
16	13342990004	WINDOW SLIDING SASH LH	1	EA
17	13342990003	WINDOW SLIDING SASH RH	1	EA
18	967110	LATCH - SLIDING WINDOW	1	EA
19	967203	STRIKER PLATE - SLIDING WINDOW LATCH	1	EA

Note* Quantities shown are for a single door



ITEM #	PART #	DESCRIPTION	QTY	UNIT
DOOR POCKET ASSEMBLY LH				
1	47002766	DOOR GUIDE LOWER NYLON X51.44	1	EA
2	210041404	NOSE STEP AL 450247X61.29 LH	1	EA
3	157041400	DOOR POST FORWARD AL 450294X102.43 LH	1	EA
4	45100104	DOOR POST AL CASTING LOWER LH	1	EA
5	96741202	DOOR TRACK ASSEMBLY	1	EA
6	210041402	CHANNEL HEADER AL 450256X75 LH	1	EA
7	001741407	REINFORCEMENT A-POST AL .125X1.53X8.04 LH	1	EA
8	45100048	GUSSET AL CASTING HEADER CHANNEL TO DOOR POST LH	1	EA
9	228041402	PANEL DOOR POCKET AL .102X42.25X87.65 LH	1	EA
10	157041409	PANEL HEADER AL .102X19.49X42.36 LH	1	EA
11	227048403	STIFFENER 81H T-STUD AL 459919X65.25	1	EA
12	45900001	PLUG WOOD @ RUB/RAIL .75X1.12X2.9	1	EA
DOOR POCKET ASSEMBLY RH				
1	47002766	DOOR GUIDE LOWER NYLON X51.44	1	EA
13	210041405	NOSE STP AL450247X61.29RH	1	EA
14	157041401	DOOR POST FORWARD AL 450294X102.43 RH	1	EA
15	45100105	DOOR POST AL CASTING LOWER RH	1	EA
16	227048402	STIFFENER T-STUD AL 459919X65.25	1	EA
5	96741202	DOOR TRACK ASSEMBLY	1	EA
18	210041403	CHANNEL HEADER AL 450256X75 RH	1	EA
19	001741408	REINFORCEMENT A-POST AL .125X1.53X8.04 RH	1	EA
20	45100049	GUSSET AL CASTING HEADER CHANNEL TO DOOR POST RH	1	EA
21	228041403	PANEL DOOR POCKET AL .102X42.25X87.65 RH	1	EA
22	157041410	PANEL HEADER AL .102X19.49X42.36 RH	1	EA
12	45900001	PLUG WOOD @ RUB/RAIL .75X1.12X2.9	1	EA
23	187042400	STIFFENER HEADER AL 450328X74.13 LH	1	EA
24	187042401	STIFFENER HEADER AL 450328X74.13 RH	1	EA
25	187042402	ZEE CLIP HEADER AL .102X3X9.45	2	EA
26	47008533	CAP PLASTIC END VENT	2	EA
27	177070402	PLT SL D/PKT AL.055X2.88X4	2	EA



ITEM #	PART #	DESCRIPTION	QTY	UNIT
1	227070407	PANEL BULKHEAD AL .102X29.97X77.38 LH	1	EA
2	197070407	BULKHEAD CANNEL AL 450502X69.75	1	EA
3	227070408	PANEL BULKHEAD AL .102X24.28X77.38 RH	1	EA
4	087070408	JAMB BULKHEAD DOOR AL 450326X74.48	1	EA
5	197147406	SPACER LATCH BULKHEAD AL .25X2.5X5.75	1	EA
6	227070201	DOOR ASSEMBLY W/ FINGER PULL LATCH	1	EA
7	147070201	DOOR HANGER ASSEMBLY W/ BEARINGS	1	EA
8	005770200	DOOR TRACK ASSEMBLY	1	EA
9	98770202	STRIKER ASSEMBLY WELDMENT	1	EA
10	1113600	CABLE BULKHEAD DOOR .125X29" BLACK VINYL	1	EA
11	92537309	PLATE MOUNTING LATCH AL .125X3.19X5.29	1	EA
12	1113046	LATCH FINGER PULL	1	EA
13	90187300	GRAB HANDLE AL .5DIA2.13X9	1	EA
14	147070402	SHIM BULKHEAD DOOR EMB .023X.88X26	1	EA
15	217070400	DOOR GUIDE STRIP 452002X30.63	1	EA
16	96770316	GUIDE DOOR FLOOR AL 450414X47.88	1	EA
17	227070409	HEADER BULKHEAD ZEE AL .102X12.43X87.4	1	EA
18	207070407	WIRING GUARD - BULKHEAD AL .07X2.44X21	1	EA
19	44002011	BUMPER RUBBER	2	EA
20	177070401	PLATE BULKHEAD HEADER AL .102X4.57X7.71	2	EA
21	177070403	COVER HEADER AL .055X3.83X14.32 LH	1	EA
22	177070404	COVER HEADER AL .055X3.83X14.32 RH	1	EA
23	47000993	LOCK CYLINDER - ABLOY	1	EA
24	217147200	KEYLESS LATCH ASSEMBLY BULKHEAD	1	EA
25	137147400	SOLENOID OPEN FRAME	1	EA
26	1113458	LATCH GATE	1	EA
27	217147400	LINK PLATE	1	EA
28	197148408	STRIKER PLATE	1	EA
29	40300931	U-BOLT	1	EA

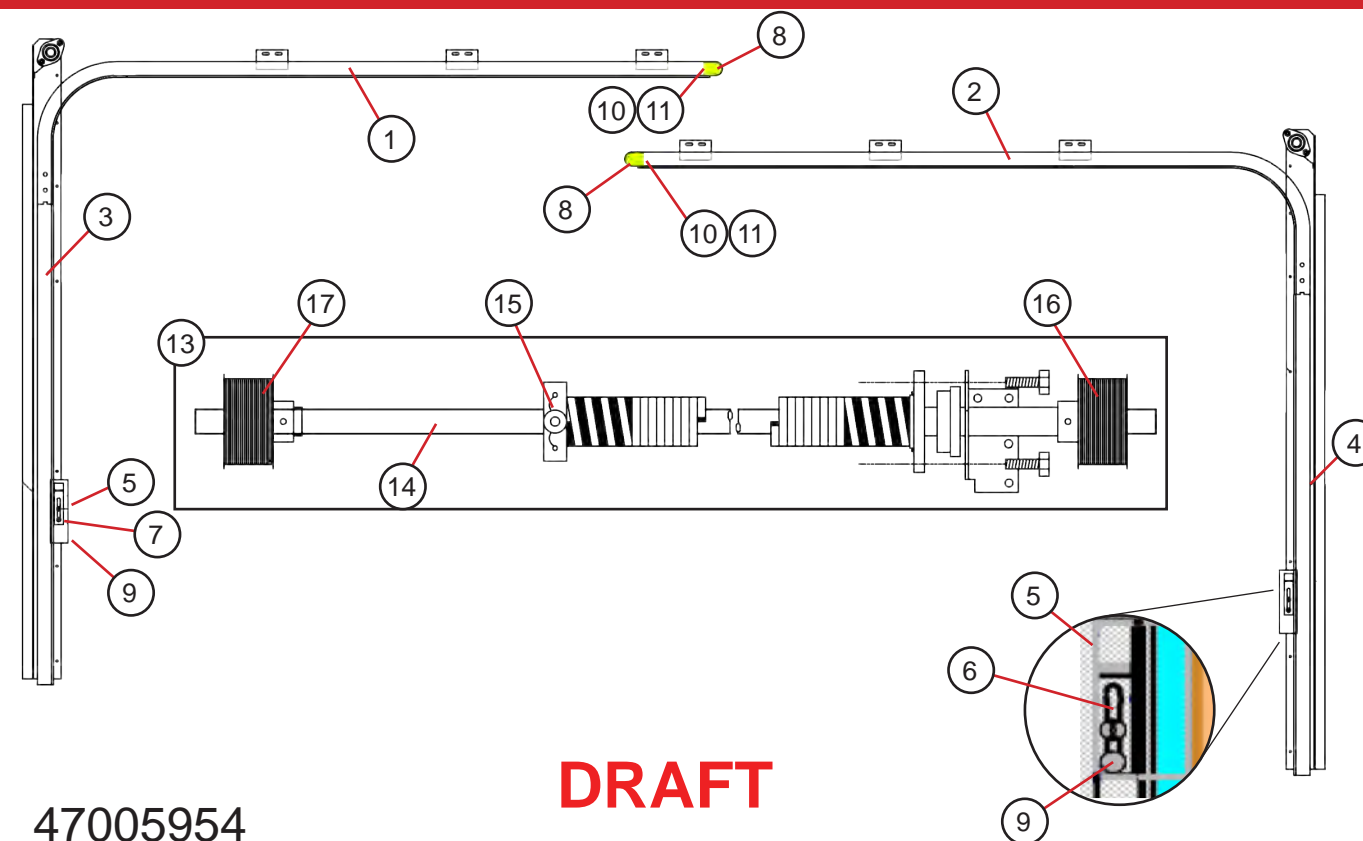
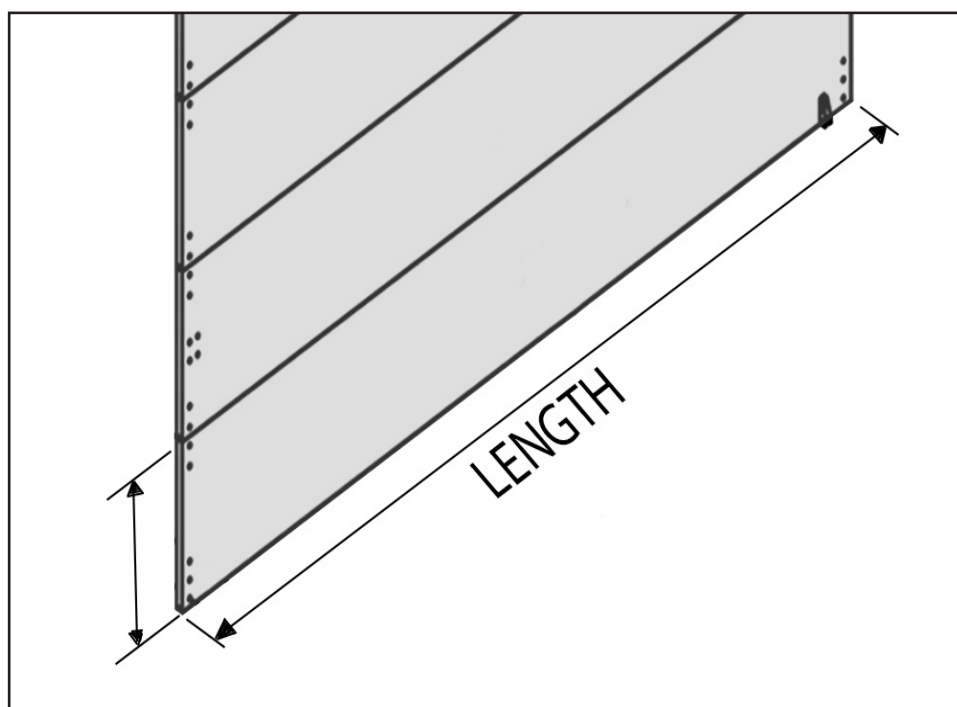


ROLL-UP DOOR SERIAL NUMBER LOCATION

DRAFT

WHEN ORDERING PARTS FOR ROLL-UP DOORS, PLEASE PROVIDE THE FOLLOWING INFORMATION. THE SERIAL NUMBER LOCATED ON THE INTERIOR TOP PANEL ROADSIDE EDGE. THE LENGTH AND HEIGHT OF THE DOOR PANEL(S) TO BE ORDERED.

IN THE EVENT OF A DAMAGED, UN-READABLE OR MISSING SERIAL NUMBER, PLEASE TRY TO PROVIDE THE COMPOSITION DETAILS OF THE DOOR PANEL. (PLASTIC PANEL (WEATHERTITE), ALUMINUM CLAD, PLYWOOD, ETC.)

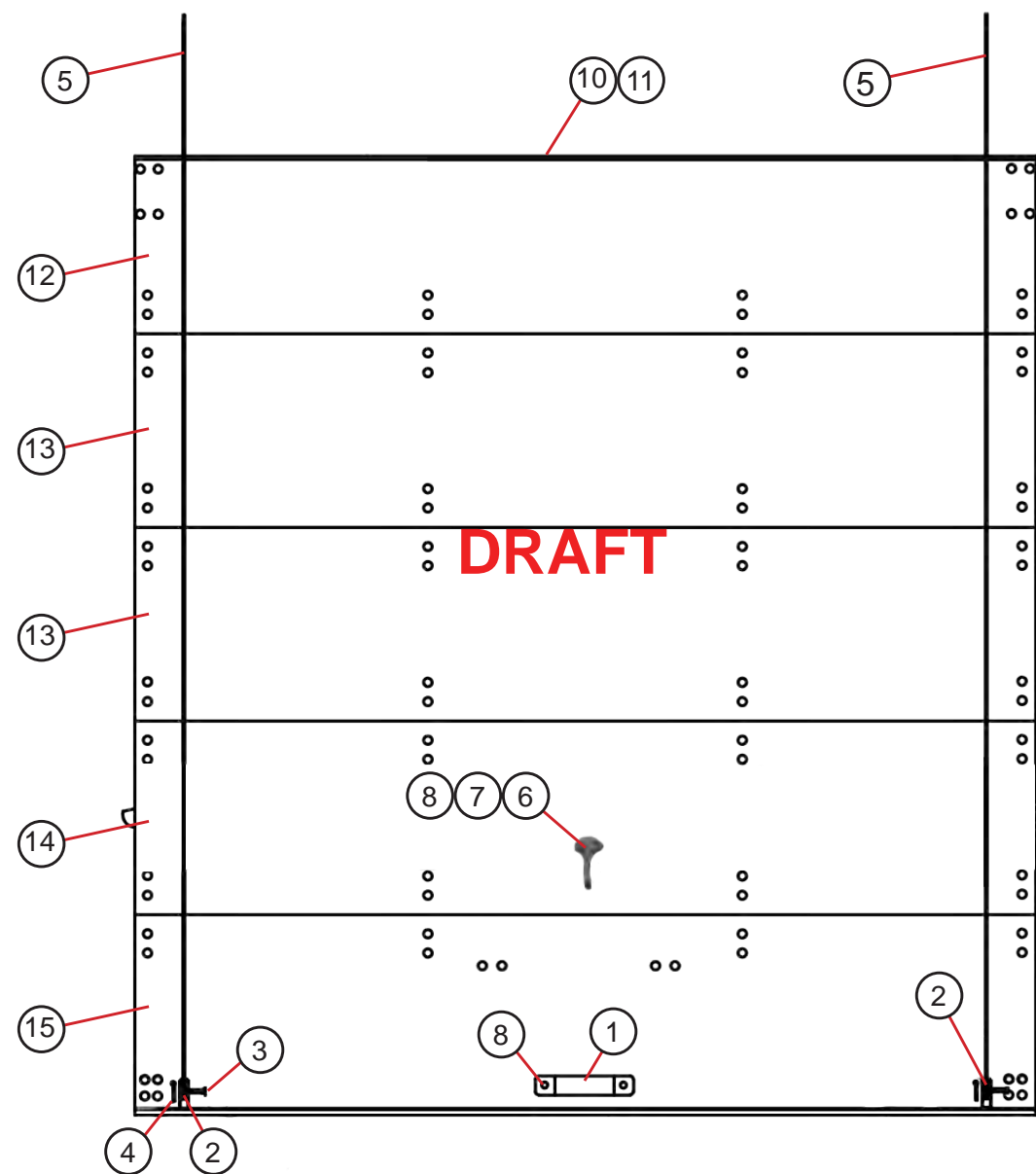


DRAFT

47005954

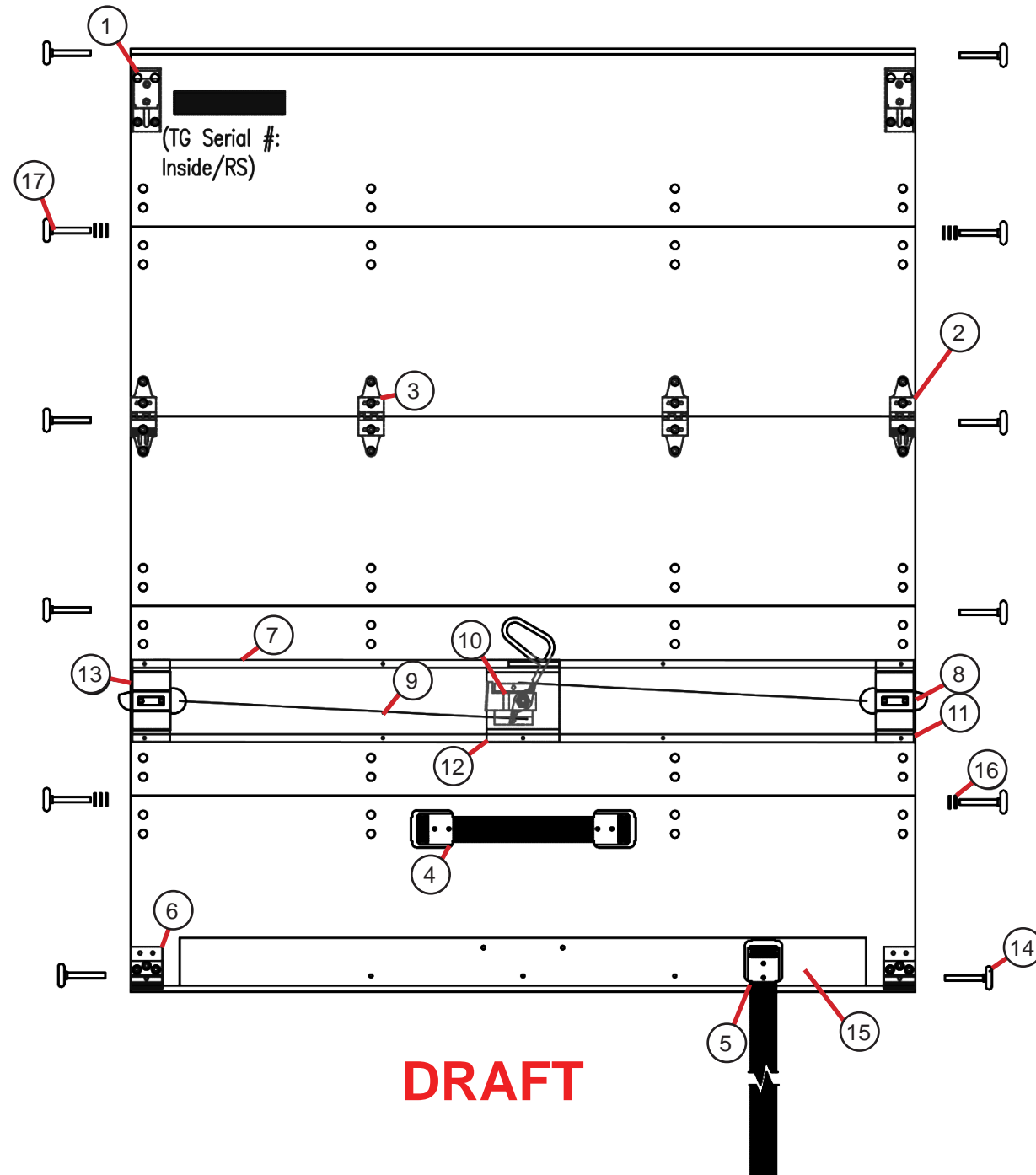
ITEM#	PART#	DESCRIPTION
1		HORIZONTAL TRACK ASSEMBLY - CURBSIDE
2		HORIZONTAL TRACK ASSEMBLY - ROADSIDE
3		VERTICAL TRACK ASSEMBLY - CURBSIDE
4		VERTICAL TRACK ASSEMBLY - ROADSIDE
5	47106740	LOCK CATCH
6	47106758	CATCH MOUNTING PLATE - LH
7	47106759	CATCH MOUNTING PLATE - RH
8	47106787	2" YELLOW HEAD PROTECTOR
9	47106744	5/16-18 KEEP NUT
10	47106746	1/4-20 KEEP NUT
11	47106788	1/4-20 X 2-1/2 HEX HEAD BOLT
COUNTERBALANCE ASSEMBLY		
13	47106857	COUNTERBALANCE ASSEMBLY
14	47106862	COUNTERBALANCE SHAFT - 62"
15	47106858	SPRING W. PLUGS .192 SQ WIRE X 2.50 X 27.50 (RH)
16	47106753	CABLE DRUM LH (HEX HEAD SET SCREWS)
17	47106754	CABLE DRUM RH (HEX HEAD SET SCREWS)

47005954



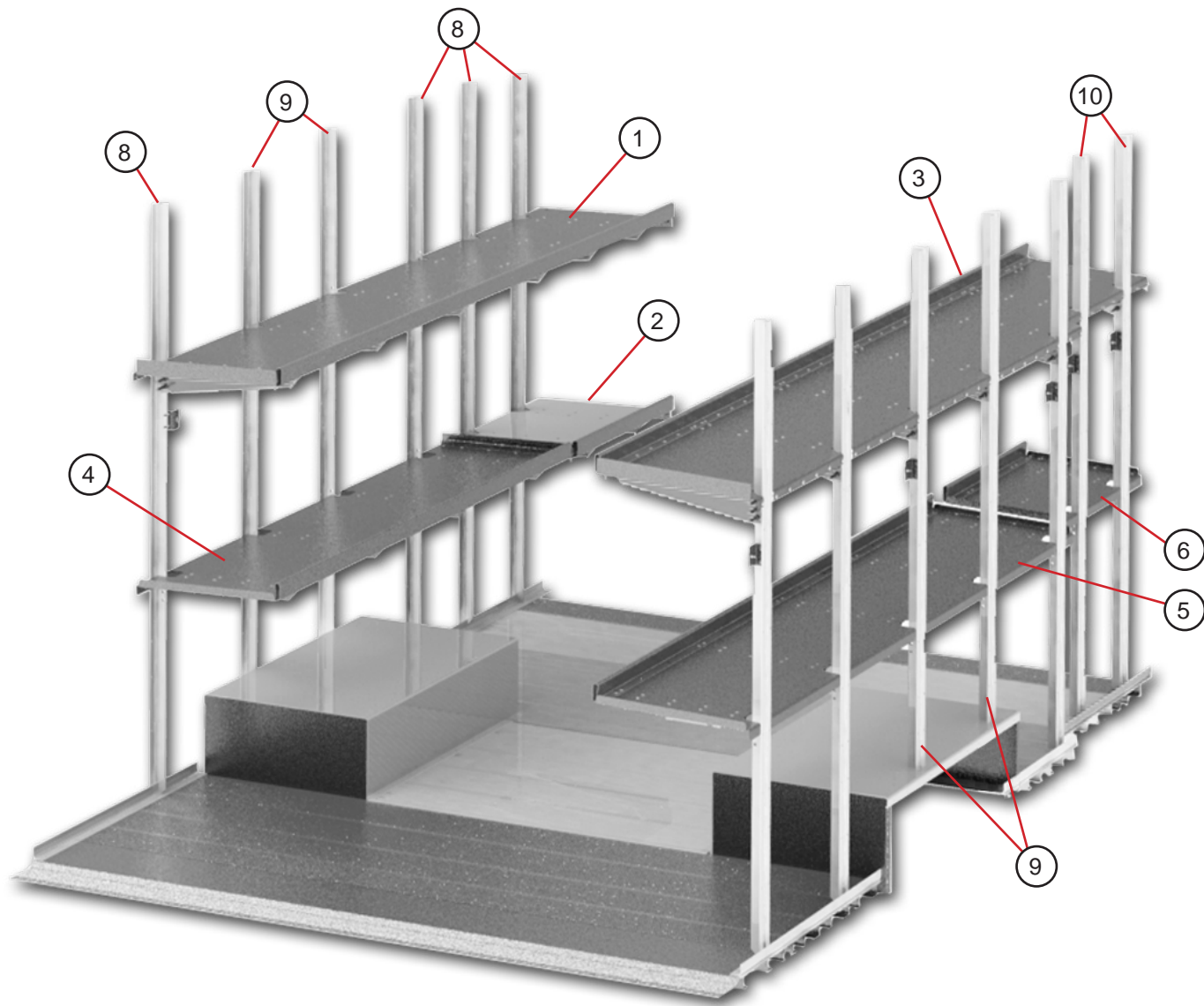
ITEM #	PART #	DESCRIPTION
1	47106796	LIFT HANDLE - BLACK
2	47106762	BRACKET CABLE ANCHOR
3	47106706	PIN CABLE ANCHOR BRACKET
4	47106719	COTTER PIN
5	47106727	CABLE SS 95" METAL EYE
6	47106774	L-HANDLE, NON-KEYED
7	47106783	10-24 X 1" SS SCREW
8	47106784	10-24 SS NYLOK NUT
9	47106802	60 INCH PULL STRAP NO-LOOP
10	47106829	SEAL TOP PANEL DRAFT
11	47106830	SEAL TOP PANEL - EXTENDED LIP
12		1/4" COMPOSITE PANEL TOP
13		1/4" COMPOSITE PANEL INTERMEDIATE X2
14		1/4" COMPOSITE LATCH PANEL
15		1/4" COMPOSITE PANEL BOTTOM

47005954

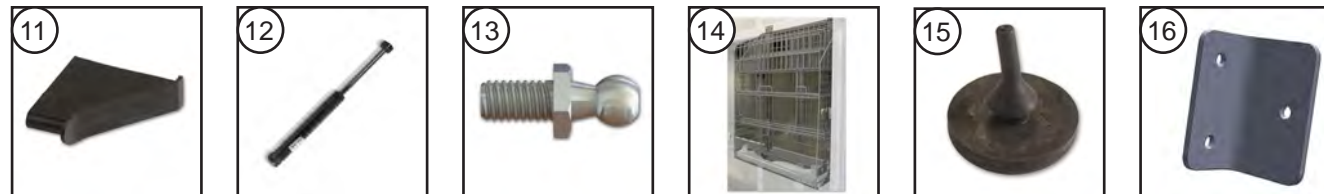


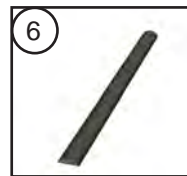
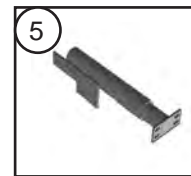
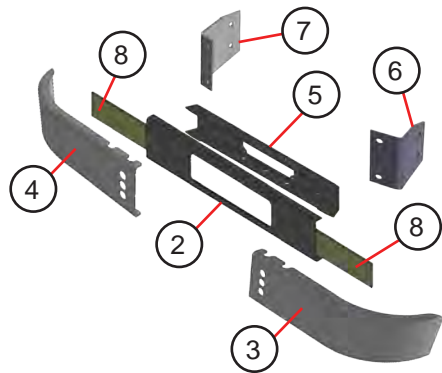
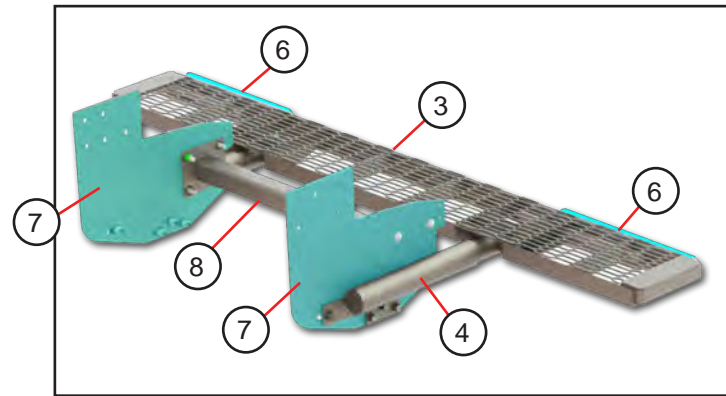
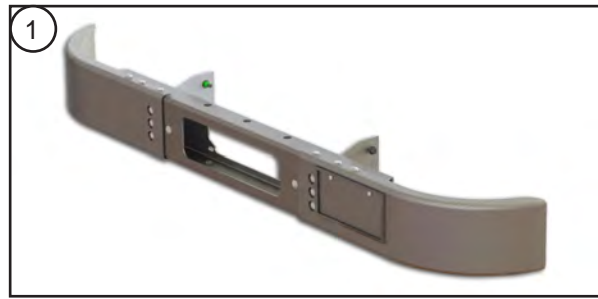
ITEM#	PART#	DESCRIPTION
1	47106710	TOP CLOSURE ASSEMBLY
2	47106797	END HINGE ASSEMBLY
3	47106731	CENTER HINGE HEAVY DUTY
4	47106837	12" PULL STRAP, NO LOOP - 2 BLK RETAINERS
5	47106802	60" PULL STRAP, NO LOOP
6	47106764	BOTTOM ROLLER BRACKET ASSM, 2" ROLLER
7	47106847	CABLE COVER W/ STUDS - 62" LENGTH
8	47106717	2 POINTT END LATCH - RS
9	47106860	CABLE ASSEMBLY, 2 PT LOCK W/ 2 STOPS & WASHER
10	47106891	2-PT CENTER CONTROL WITH D HANDLE
11	47106836	LATCH BASE END - .91" OFF, PVC/WOOD/13MM COMP, 2" TRACK
12	47106767	LATCH BASE CENTER - .91" OFF, PVC/WOOD/13MM COMP, 2" TRACK
13	47106716	2 PT END LATCH - CS
14	47106765	2" HD SOLID STEEL ROLLER
15	47106861	BLACK 56" LONG BOTTOM ANGLE FOR .25" COMPOSITE W/ INSIDE PS
16	47106718	SPACER ROLLER
NS	47106724	5/8" STAINLESS STEEL RIVET
NS	47106725	3/4" STAINLESS STEEL RIVET
NS	47106726	7/8" STAINLESS STEEL RIVET
NS	47106720	11/16" ALUMINUM BUCK RIVET
NS	47106721	13/16" ALUMINUM BUCK RIVET

DRAFT

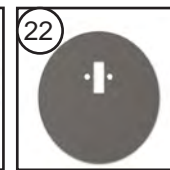
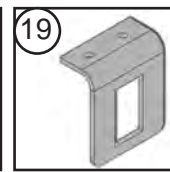
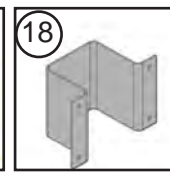
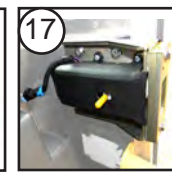
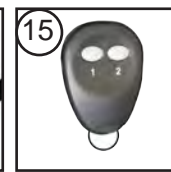
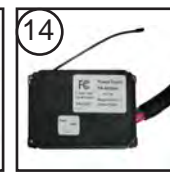
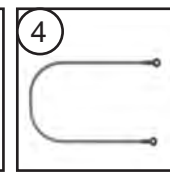
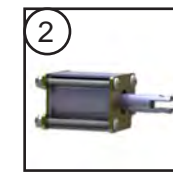
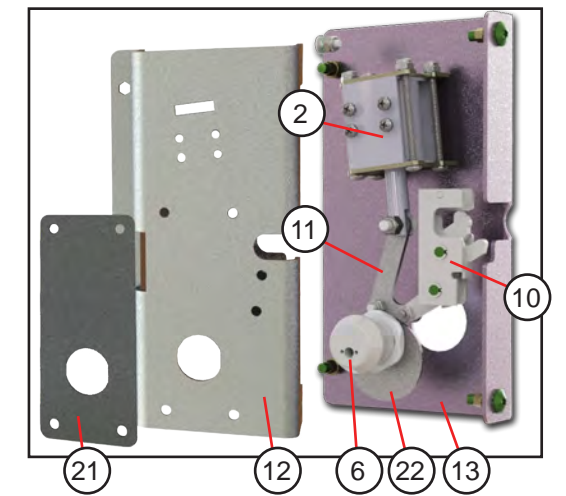
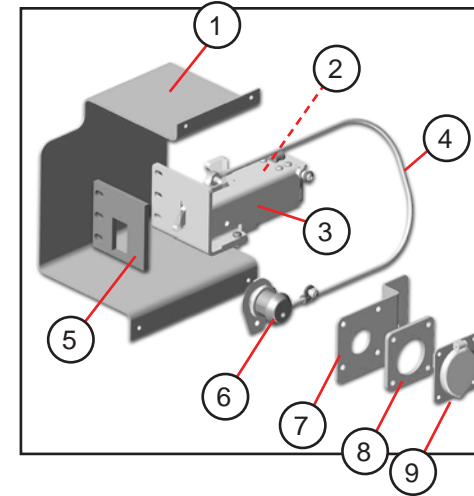


ITEM #	PART #	DESCRIPTION	QTY.	UNIT
FIXED SHELF ASSEMBLIES				
1	220105228	SHELF ASSEMBLY LH UPPER	1	EA
2	220105227	SHELF ASSEMBLY LH LOWER	1	EA
3	220105229	SHELF ASSEMBLY RH UPPER	1	EA
FOLDING SHELF ASSEMBLIES				
4	210105204	FOLDING SHELF ASSEMBLY LH LOWER	1	EA
5	210105203	FOLDING SHELF ASSEMBLY RH LOWER	1	EA
6	200105203	FOLDING SHELF ASSEMBLY RH LOWER @ DR PKT	1	EA
8	227048400	STIFFENER	4	EA
9	227048401	STIFFENER @ WHEEL BOX	6	EA
10	227048402	STIFFENER @ DOOR POCKET	2	EA
11	1106157	PLUG @ SHELF ARM	13	EA
12	126106426	GAS SPRING 60LB	7	EA
13	47006086	BALL STUD	12	EA
14	47012413	WIRE BASKET GRAY POWDER COAT	1	EA
NS	150127459	SUPPORT BRACKET @ WIRE BASKET	2	EA
15	1107102	RUBBER BUMPER	1	EA
16	150106410	BRACKET RUBBER BUMPER	1	EA

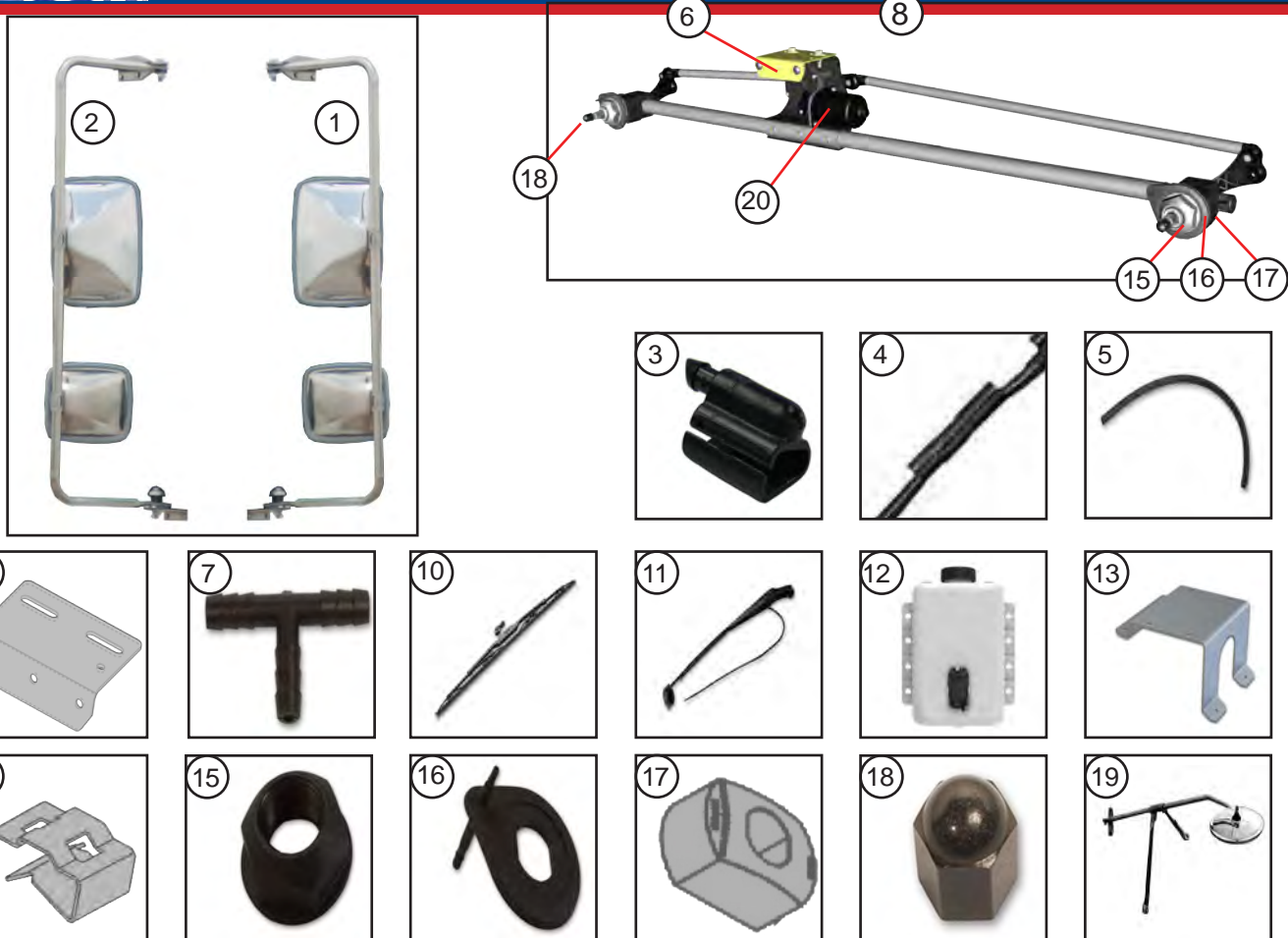




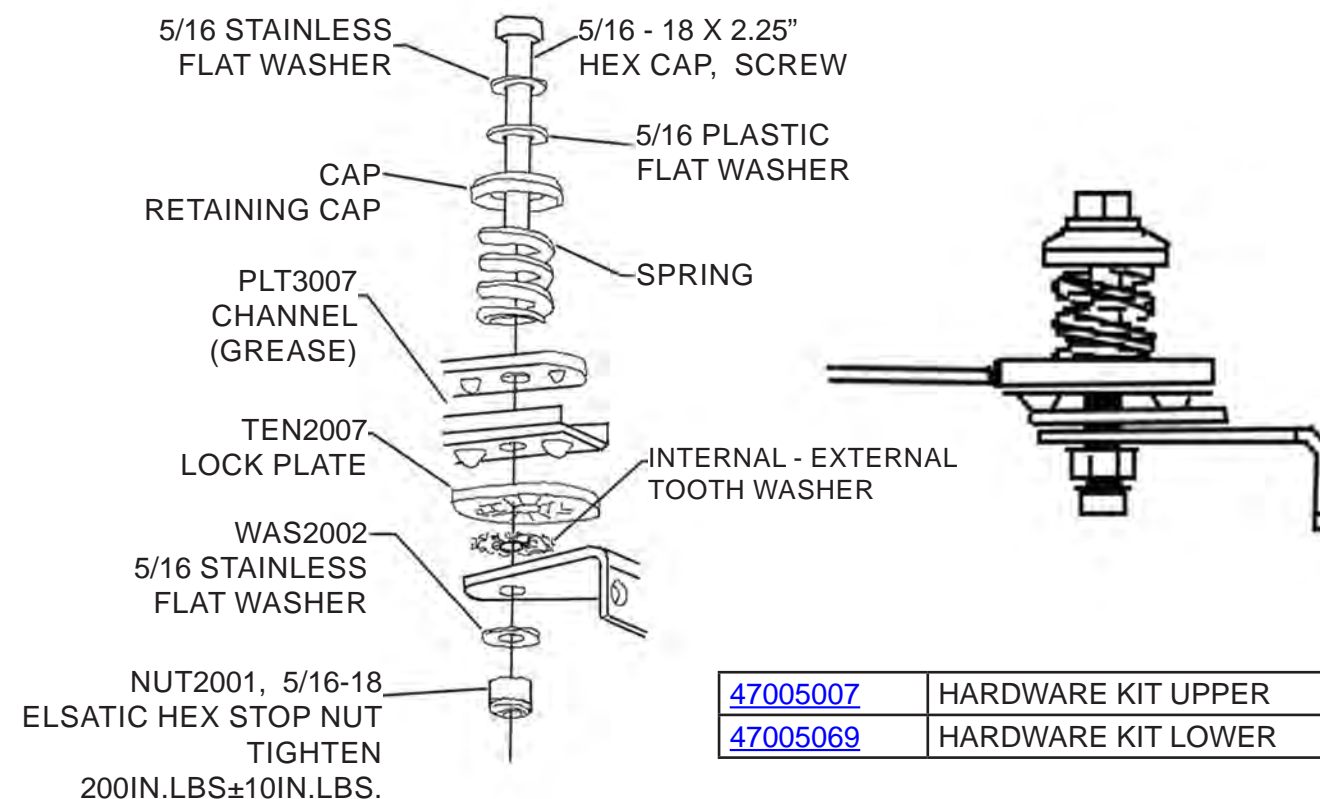
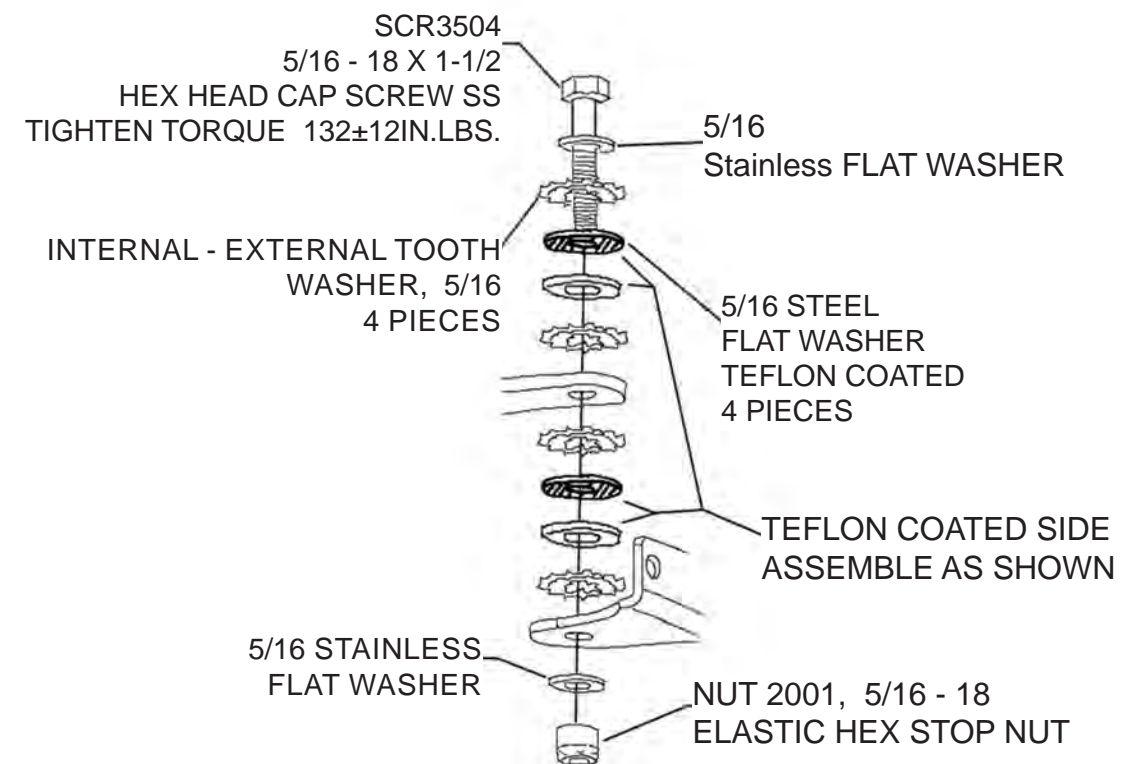
ITEM #	PART #	DESCRIPTION	QTY.	UNIT
FRONT BUMPER				
1	167008006	BUMPER SPRING BACK 88W COMPLETE	1	EA
2	167008200	FRONT SPRING CHANNEL W/CUTOUT	1	EA
3	167008205	BUMPER CHANNEL OUTER LH 88W W/FRAME	1	EA
4	167008206	BUMPER CHANNEL OUTER RH 88W	1	EA
5	167008401	CHANNEL BUMPER REAR STL .25X14.91X55.09	1	EA
6	167008403	BRACKET BUMPER MOUNT STL 7GAX8.12X8.32 LH	1	EA
7	167008404	BRACKET BUMPER MOUNT STL 7GAX8.12X8.32 RH	1	EA
8	155008417	SPRING	2	EA
REAR BUMPER				
3	157057201	BUMPER REAR 88W 9.5"	1	EA
4	157057200	SPRING MOUNTING LH	1	EA
5	157057202	SPRING MOUNTING RH (MIRROR IMAGE OF LH)	1	EA
6	006370401	RUBBER BUMPER PROTECTOR	2	EA
7	207101400	HITCH MOUNTING PLATE	2	EA
8	177101200	NON HITCH CROSSBAR ASSEMBLY	1	EA



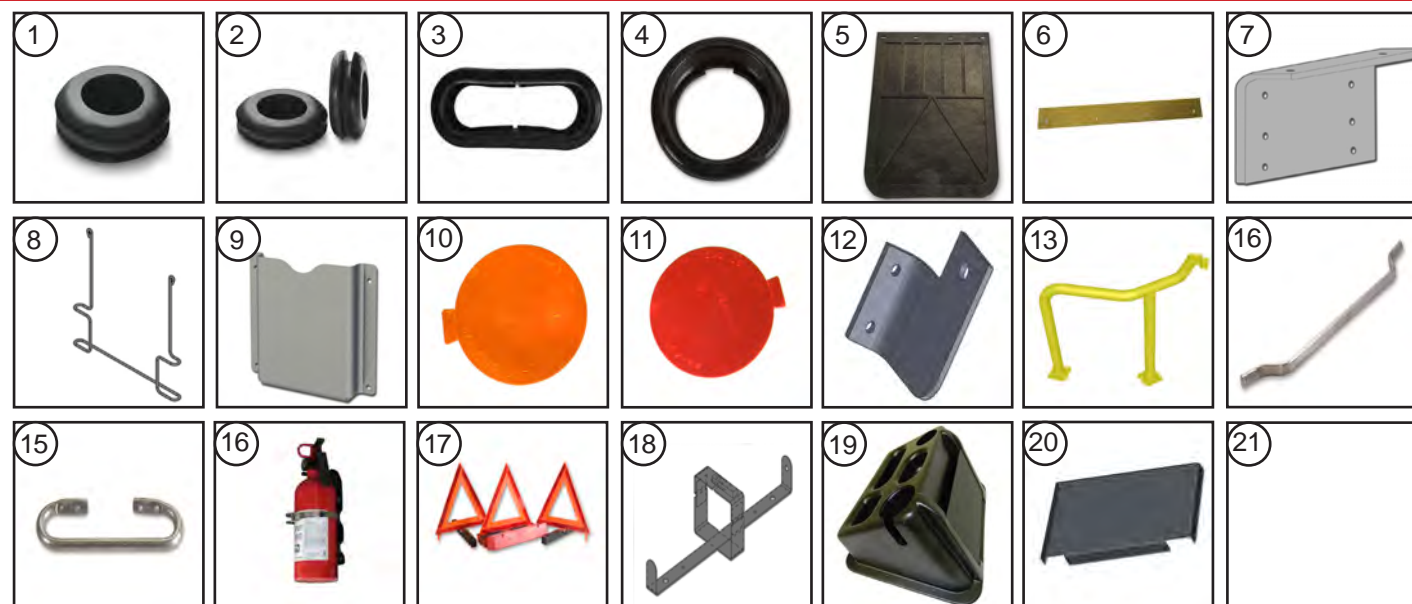
ITEM #	PART #	DESCRIPTION	QTY.	UNIT
1	207147407	GUARD REAR KEYLESS RH	1	EA
2	137147400	SOLENOID OPEN FRAME PULL TYPE	1	EA
3	207147200	RUD LOCK ASSEMBLY W/ OVERRIDE	1	EA
4	137147414	CABLE PUSH/PULL	1	EA
5	117050417	SHIM DOOR LOCK	1	EA
6	47000779	LOCK CYLINDER ONLY W/ 2 KEYS	1	EA
7	207147402	BRACKET MOUNTING LOCK CYLINDER	1	EA
8	150127465	SHIM DUST COVER	1	EA
9	136060401	DUST COVER ONLY	1	EA
10	1113458	LOCK MECHANISM - ROTARY LATCH	1	EA
11	217147400	LINK ARM	1	EA
12	210147400	BRACKET - KEYLESS HOUSING	1	EA
13	207147404	BRACKET - KEYLESS HOUSING	1	EA
14	46029044	KEYLESS RF MODULE KIT (INCLUDES 3 FOBs)	1	EA
15	46029045	REPLACEMENT KEY FOB	1	EA
16	46023511	SWITCH ROCKER DOOR UNLOCK SPST	1	EA
17	46029042	LOCK ASSEMBLY SIDE DOOR RH (Solenoid = See item #2)	1	EA
18	107093401	SWITCH GUARD	1	EA
19	107093402	PLATE - SWITCH MOUNTING	1	EA
20	47000993	LOCK CYLINDER W/ 2 KEYS & DUST COVER	1	EA
21	217147401	SPACER LATCH	1	EA
22	40900016	LOCK CAM	1	EA



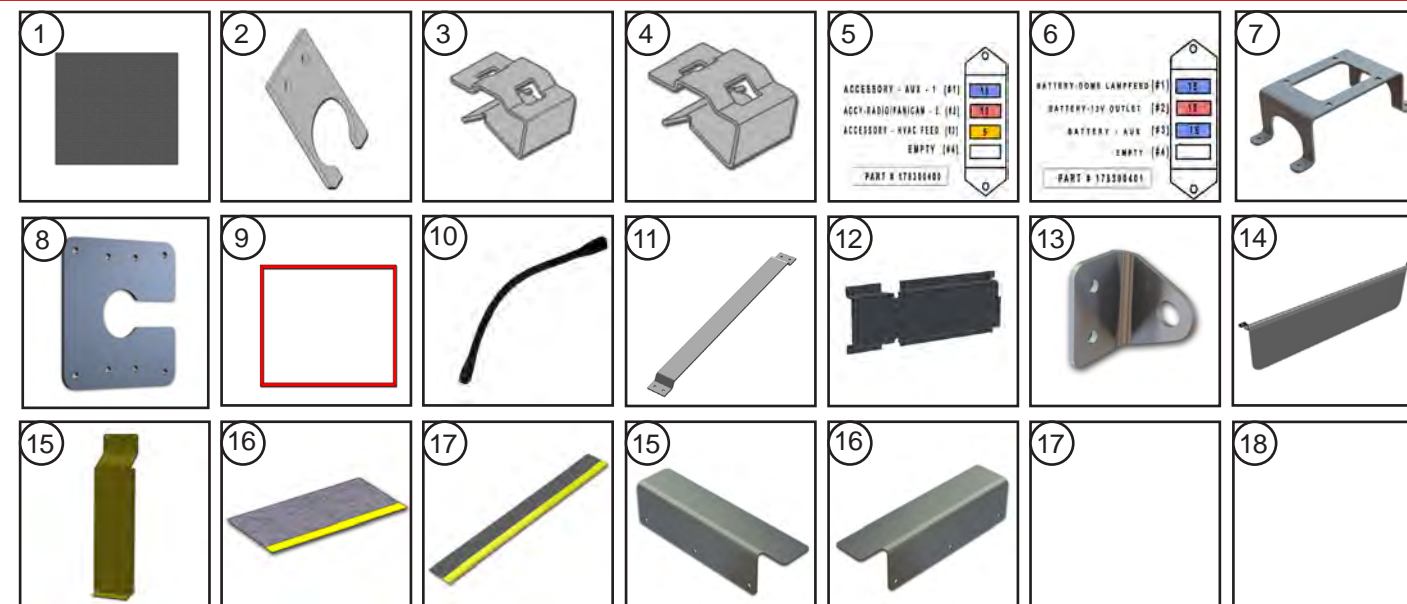
ITEM #	PART #	DESCRIPTION	QTY.	UNIT
1	47006169	MIRROR ASSEMBLY ROADSIDE HEATED	1	EA
2	47006170	MIRROR ASSEMBLY CURBSIDE HEATED	1	EA
3	47004271	WET KIT FOR WIPER ARM (SPRAY NOZZLE & HOSE)	2	EA
4	47004272	RETAINER CLIP FOR HOSE 2"	2	EA
5	1107122	HOSE .188 ID WSW	12	FT
6	083055454	BRACKET WIPER MOTOR	1	EA
7	1101694	TEE WSWA U/T	1	EA
8	47004188	WIPER SYSTEM TBLR 2 PIVOT	1	EA
10	47004134	BLADE 24IN BLACK	1	EA
11	47004206	ARM WSW WET 22IN RADIAL BLACK	1	EA
12	47005854	RESERVOIR W/PUMP WINDSHIELD WASHER	1	EA
13	155063401	BRACKET MOUNTING RSVR (FILLER PLATE 138028422)	1	EA
14	46021115	CLIP BODY LARGE PAN	1	EA
15	47005901	NUT	2	EA
16	47005902	PIVOT COVER	2	EA
17	47005903	SPACER	2	EA
18	81600189	ACORN NUT	1	EA
19	47005099	MIRROR FRONT SIDE VIEW (MIRROR HEAD ONLY 47006180)	1	EA
20	47005900	MOTOR FOR WIPER ASSEMBLY	2	EA



47005007	HARDWARE KIT UPPER
47005069	HARDWARE KIT LOWER



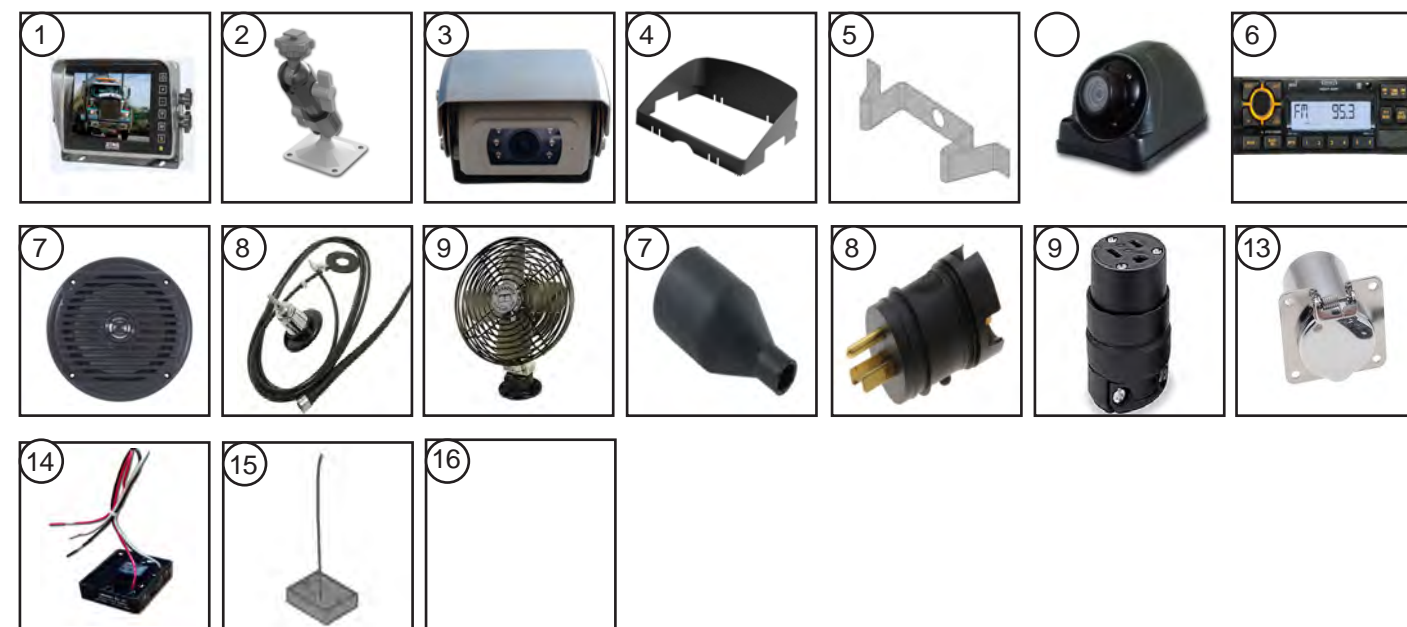
ITEM #	PART #	DESCRIPTION	QTY.	UNIT
1	1107109	GROMMET .375X.125X.625	1	EA
2	44000052	GROMMET .688X.125X1	2	EA
3	46027708	GROMMET OBLONG BLACK	2	EA
4	46004402	GROMMET ROUND BLACK 4IN LAMP	6	EA
5	1107308	MUD FLAP BLACK NO LOGO 20X24	1	PR
6	7504428	RETAINER MD/FLP AL .125X1.5X20	2	EA
7	228077400	ANGLE RETAINER AL .188X5X20	2	EA
8	47009706	WIRE FRAME - SUPPORT MUD FLAP	2	EA
9	177028400	HOLDER - DVIR	1	EA
10	46025018	REFLECTOR 2.88" AMBER	2	EA
11	46025017	REFLECTOR 2.88" RED	4	EA
12	107005490	ANGLE ATTACH - GRAB RAIL	1	EA
13	47001047	GRAB RAIL POWDER COATED YELLOW	1	EA
14	47001084	GRAB HANDLE 25" OFFSET	3	EA
15	90187300	GRAB HANDLE (HOOD & BULKHEAD)	2	EA
16	47009656	FIRE EXTINGUISHER 2.5 LB.	1	EA
17	47009547	TRIANGLE KIT SAFETY	1	EA
18	47009548	BRACKET MOUNTING TRIANGLE KIT	1	EA
19	47009653	CENTER CONSOLE	1	EA
20	165127403	EXTENSION CENTER CONSOLE	1	EA



ITEM #	PART #	DESCRIPTION	QTY.	UNIT
1	47009600	CARPET BULKHEAD GREY	18.5	FT
2	090087401	PLATE FILLER WIRING AL.102X 1.44X2.63	2	EA
3	46021114	CLIP MEDIUM	1	EA
4	46021115	CLIP LARGE	1	EA
5	178300400	LABEL FUSE BLOCK LH	1	EA
6	178300401	LABEL FUSE BLOCK RH	1	EA
7	102084499	BRACKET FUSE BOX	1	EA
8	173092401	COVER - FUSE BOX	1	EA
9	45200376	FRAME - AD HOLDER RED	2	EA
10	45400581	BUNGIE CORD .375 X 24" W/ CARABINER CLIPS	1	EA
11	165127401	CTH H/CART STL7GAX2X23.49	1	EA
12	165127402	BRKT H/CART AL.125X13.16X23.88	1	EA
13	150127456	BRKT BUNGEE STL11GAX2X2.86	2	EA
14	47005645	SUN VISOR	2	EA
15	177080400	GUARD - HEATER AL .125X8.21X27.03	1	EA
16	45400586	PLATE STEP FBG .17X9.72X19.75 RH STEP UPPER	1	EA
16	45400587	PLATE STEP FBG .17X7.38X17.63 LH STEP UPPER	1	EA
16	45400588	PLATE STEP FBG .17X9.75X17.63 LH STEP LOWER	1	EA
16	45400589	PLATE STEP FBG .17X7.19X23 RH STEP LOWER	1	EA
17	45400574	PLATE STEP @ REAR SILL	1	EA
18	220147400	TRACK WIRING KEYLESS LH AL .102X4.59X10.5	1	EA
19	220147401	TRACK WIRING KEYLESS RH AL .102X4.59X10.5	1	EA
20				
21				



ITEM #	PART #	DESCRIPTION	QTY.	UNIT
1	46000213	HEADLAMP ASSEMBLY	2	EA
2	46027653	LAMP PARK / TURN (GROMMET - 46027708 X2)	2	EA
3	46002222	LAMP COMBO STOP / TURN / TAIL (SHOWN W/ GROMMET)	2	EA
4	46001440	LAMP BACK UP (USE GROMMET 46004402)	2	EA
5	46001388	LAMP CLEARANCE MARKER LED PC RED	4	EA
6	46001389	LAMP CLEARANCE MARKER LED PC RED D-FUNCTION	3	EA
7	46001395	LAMP CLEARANCE MARKER LED PC AMBER	7	EA
8	46002442	LAMP CLEAR - STEPWELL	2	EA
9	46002427	LAMP CLEAR - LICENSE PLATE BOX	1	EA
10	46002650	LAMP DOME LED CAB (MOUNTING BRACKET - 090091403)	1	EA
11	46002633	LAMP DOME CARGO MOTION DET (BRACKET - 100092401)	2	EA
12	46025313	SWITCH MAGNETIC REED NORMALLY OPEN	1	EA
13	46023508	SWITCH ROCKER DOME CAB SPST ON-OFF	1	EA
14	46029054	SWITCH ROCKER DOME CARGO SPDT ON-ON	1	EA
15	46023511	SWITCH ROCKER DOOR UNLOCK SPST	1	EA
16	46029061	SWITCH ROCKER DASH FAN SPDT ON-OFF-ON	1	EA
17	46023611	SWITCH ROCKER BASE ONLY SPDT ON-ON	1	EA
18	46023618	SWITCH ACTUATOR ONLY HEATED MIRRORS	1	EA
19	46024701	LAMP / ALARM / BUZZER - SEATBELT	1	EA
20	45200256	LABEL - SEAT BELT ALARM	1	EA
21			1	EA



ITEM #	PART #	DESCRIPTION	QTY.	UNIT
1	48200164	MONITOR DISPLAY BACK UP CAMERA	1	EA
2	48200223	MONITOR MOUNTING BRACKET	1	EA
3	48200191	CAMERA BACK UP REAR	1	EA
4	48200192	SUN VISOR FOR MONITOR	1	EA
5	140092402	GUARD CAMERA REAR AL .102X1.56X19.24	1	EA
6	46025594	RADIO AM/FM/WB/RBDS	1	EA
7	46025590	SPEAKERS 6.5" BLACK	2	EA
8	46025559	ANTENNA TOP/SIDE MOUNT	1	EA
9	46030014	FAN 2 SPEED 270 CFM	1	EA
10	46027623	BOOT E/BLK HTR WP CHR M RECEP	1	EA
11	46027624	PLUG 5-15 E/BLK HTR WP CHR M	1	EA
12	46027625	RECEP 5-15 FLEX CBL BLK	1	EA
13	46027377	RECEPTACLE CHROME FOR BLANKET HEATER CRD	1	EA
14	46032312	TIMER 30 MIN 10AMP W/O RELAY	1	EA
15	46032343	TIMER 5 MIN 10AMP MAX		EA
16			1	EA
			1	EA
			1	EA
				EA
				EA



Size	Description	Thread	Lengths														
			.62	3/4"	1"	1-1/4"	1-1/2"	1-3/4"	2"	2-1/2"	3"	3-1/4"	4"				
1/4" Hex Cap Screw	GR5 ZC/RO	20															
1/4" Hex Cap Screw	GR5 ZC/RoHS	20			1101688												
1/4" Hex Cap Screw	18-8 Stainless	20	85743007	1117816	85743006	1117010							1117818				
1/4" Hex Cap Screw	ASTM F593C	20			1117819												
5/16" Hex Cap Screw	18-8 Stainless	18				1117804											40300737
5/16" Hex Cap Screw	GR8 ZC/Y	18			1117045												
5/16" Hex Cap Screw	ASTM F593	18			1117803				1117059								
5/16" Hex Cap Screw	GR5 ZC/R	16				1117837											
3/8" Hex Cap Screw	GR8 ZC/Y	18				1117049			1117055								
3/8" Hex Cap Screw	GR8 ZC/Y	16			1117843												
3/8" Hex Cap Screw	GR5 ZC/RO	16								1117097			051166		1117000		
3/8" Hex Cap Screw	GR5 ZC/RoHS	16	40300056	40300054						40300058	1117040		40300813	1117040			1117099
3/8" Hex Cap Screw	ASTM F593C	16							1117805	1117052							
7/16" Hex Cap Screw	GR8 ZC/Y	20							1217000								
1/2" Hex Cap Screw	GR5 ZC/RoHS	13															
1/2" Hex Cap Screw	GR5 ZC/RO	13				1117121							1117050	1117051			1117035
1/2" Hex Cap Screw	GR5 ZC/RoHS	13								1117043	1117124						
1/2" Hex Cap Screw	GR5 ZC	13							1117036								
5/8" Hex Cap Screw	GR5	11															40300259

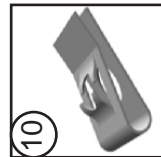
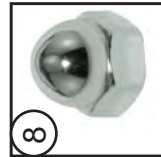
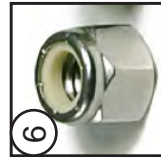
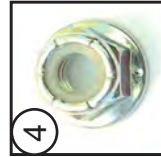
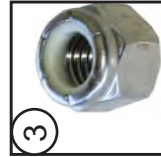
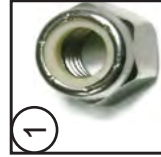
	Grade 8 Medium Carbon Alloy Steel
	Grade 5 Medium Carbon Steel
	Grade 2 Low or Medium Carbon Steel

ZC	Zinc Coated
ZP	Zinc Plated
Y	Yellow
GR	Grade
RoHS	AS9100C ISO 9001:2008
ASTM F593C	American Standards Measurements Specifications

Genuine OEM Parts

1.800.233.4823

www.morganolsonparts.com



ZP - ZINC PLATED

Standard	Thread	FIG.	#8	#10	DIA.												
					1/4"	5/16	3/8"	.44	1/2"								
NYLON LOCKING NUT, HEX	32	1		052266													
NUT "U" SPRING .115 TO .125 PANEL	10-24	10		40301303													
NYLON LOCKING NUT, HEX ZP	24	3		1117307													
NYLON LOCKING NUT, HEX ZP	20	3			1117310												
NYLON LOCKING NUT, HEX ZP	18	3				1117838											
NYLON LOCKING NUT, HEX ZP	16	3					1117344										
LOCKING NUT HEX FLANGE .44-20 OVAL	20	4											1217003				
NUTSERT EXPANDING NYL .275 SQ	20	5		40900006													
NUT NON LOCKING	24	2		1117303													
NUT NON LOCKING	20	2			1117312												
NUT NON LOCKING	16	2								1117316							
GRADE 5																	
NUT STL LK LRG FLG GD5 .31-18	18	4								40100560							
NUT STL HEX LK B ZP .5 -13 GR 5	13	1												1117283			
18-8 Stainless																	
NUT SS LOCKING	32	3	1117347	1117699													
NUT SS LOCKING	24	6		1103354													
NUT SS LOCKING	20	6			1117336												
NUT SS NON LOCKING	20	7			40100044												
NUT SS ACORN LOW CROWN	20	8			40100061												
Speciality																	
CHANNEL NUT WITH SPRING 1/4-20	20	9			4700988												
CHANNEL NUT WITH SPRING 3/8-16	16	9								47001001							

Genuine OEM Parts

1.800.233.4823

www.morganolsonparts.com

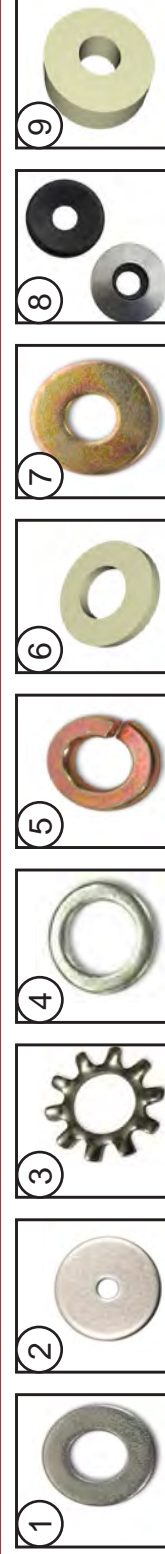


		Length												
MAGNA LOCK	Diameter	Fig.	.25	.312	.375	.438	.44	.5	.562	.625	.687	.75	.875	1"
HUCK R6-4	.188	1		1117084	1117061									
HUCK R8-6	.25	2		1117087										
PROTRUDING HEAD	.25	3			40200304		40200634			40200303				
FLUSH HEAD B6-4	.25	4						40200630						
RIV AL BRAIZER HEAD	.125	5		1117402	1117404	1117405		1117406						
RIV AL BRAIZER HEAD	.188	5		1117351	1117353	1117355		1117357	1117359	1117361	1117363	1117365	1117368	
RIV AL BRAIZER HEAD	.25	5						1117380	1117385	1117382		1117386		1117395
RIV AL BRAIZER HEAD MOD	.25	5			40200213		40200214	1117409	1117410		1117408		1117390	
RIV AL FLAT HEAD	.125	7												
RIV AL FLAT HEAD	.188	7			1117434	1117436		1117438		1117440	1117442			
RIV AL FLAT HEAD	.25	7												
RIV AL POP	.125	10	1117464											
RIV AL POP #10	.406	10	1117456											
RIV AL POP AD 66 BS		10			1117457									
RIV AL POP AD 68 BS								1117458						
RIV AL POP AD 610 BS									1117459					
POP AL OPEN END BLIND	.125	6												
POP AL OPEN END BLIND	.188	6	1117456							1117459				
POP CLSD BLACK		8						40200629						
SNAP FASTNER		9						40900925						
BULB TYPE BLIND w/WASHER	.188	10			40200621			40200501						

Genuine OEM Parts

1.800.233.4823

www.morganolsonparts.com



Standard	I/D	FIG.	3/8	1/2	9/16	5/8	3/4"	7/8	1"	1-1/4"	1-3/4"
#10 TYPE B FLAT WASHER ZINC/ROHS	.190	1			1117929						
#10 X 1 FENDER WASHER ZC	.190	2							1117950		
#10 EXTERNAL TOOTH LW ZC	.190	3	1117971								
1/4 EXTERNAL TOOTH LW ZC	1/4	3		1117975							
1/4 TYPE B NARROW FLAT WASHER	1/4	4			1117941						
1/4 USS FLAT WASHER ZC/ROHS	1/4	1					1117953			40300918	
1/4 F436 (A325) FLAT WASHER ZC/ROHS	1/4	1				40000047					
FLAT WASHER .060 THICK ZC/RO	1/4	1							1117952		
1/4 USS FLAT WASHER	1/4	1		1117885							
5/16 SPLIT LOCK WASHER ZC/ROHS	5/16	5	1117965								
5/16 USS FLAT WASHER ZC/ROHS	5/16	1						1117955			
3/8 USS FLAT WASHER ZC/ROHS	3/8	1						1117957			
3/8 X 1 FLAT WASHER 1/4 THK NYLON	3/8	6						40000038			
1/2 TYPE B REGULAR FLAT WASHER	1/2	1							40000050		
1/2 TYPE B REGULAR FLAT WASHER ZC	1/2	1								1117945	
1/2 TYPE B WIDE FLAT WASHER ZC/ROHS	1/2	1									1117959
Grade 8											
1/4 FLAT WASHER GR 8 ZC/Y	1/4	7					85761003				
5/16 FLAT WASHER GR 8 ZC/Y	5/16	7						1117937			
3/8 FLAT WASHER GR 8 ZC/Y	3/8	7					40000046		1117947		
7/16 FLAT WASHER GR 8 ZC/Y	7/16	7								1217002	
1/2 FLAT WASHER GR 8 ZC/Y	1/2	7							1117943	1217002	
Stainless 18-8											
#10 X 5/8 BONDED SEALER 18-8 SS	.190	8	85761250								
1/4 X 5/8 BONDED SEALER 18-8 SS	1/4	8				40000053					
3/8 X 3/4 BONDED SEALER 18-8 SS	3/8	8				40000051					
3/8 X 1" BONDED SEALER 18-8 SS	3/8	8					40000054				
1/4 EXTERNAL TOOTH SS LW ZC	1/4	3	40000510						40000055		
Speciality											
WASHER NYLON .13 X .62 ID X 1.380D	5/8	9									137147429

Genuine OEM Parts

1.800.233.4823

www.morganolsonparts.com



	Diameter	Fig.	Length																	
			.5	.625	.75	.875	1"	1-1/4"	1-1/2"	2-1/4"	2-1/2"	3"								
18-8 Stainless																				
PHILLIPS TRUSS M/S 18-8 SS	8 - 32	1		1117716																
PHILLIPS TRUSS M/S 18-8 SS	10 - 24	1	1117800	1117814	40300498					40300451										
PHILLIPS TRUSS M/S 18-8 SS	1/4 - 20	1		1117857	1117784					40300453	40300454									
PHILLIPS TRUSS M/S 18-8 SS	5/16 - 18	1			1117928															
PHILLIPS FLAT M/S 18-8 SS	10 - 32	2								1117830	1117900									
PHILLIPS FLAT M/S 18-8 SS	10 - 24	2		1117786						40300510										
PHILLIPS FLAT M/S 18-8 SS	1/4 - 20	2			40300809					1117782	40300634				40300630	40300631				40300638
PHILLIPS FLAT M/S 18-8 SS	3/8 - 16	2																		
PHILLIPS ROUND M/S 18-8 SS	10 - 24	6			1117209															
6 LOBE PAN T/C M/S 18-8 SS	1/4 - 20	9								1117815										
Standard Steel RoHS																				
PHILLIPS ROUND M/S ZC/ROHS	8 - 32	6																		
PHILLIPS PAN TEKS/3 ZC/ROHS	10 - 16	5																		
PHILLIPS TRUSS M/S ZC/ROHS	10 - 24	1																		
PHILLIPS TRUSS M/S ZC/ROHS	10 - 32	1	1117723																	
T/C - Thread Cutting																				
PHIL PAN T/S TYPE A ZC	10	8																		
PHIL TRUSS T/S TYPE A BLK	10	4																		
PHIL PAN T/S TYPE A BLK	10	7																		
PHIL PAN T/S TYPE A ZC	12	8																		
6 LOBE PAN T/C	1/4 - 20	9			85743152															



T/C Thread Cutting 6 Lobe Type A

Genuine OEM Parts

1.800.233.4823

www.morganolsonparts.com

PAGE #	PART #	DESCRIPTION	QTY	UNIT
50	007388300	HARNESS JUMPER Y 1WR P&P X6	2	EA
51	007388322	HARNESS JUMPER Y 2WR P&P X120	1	EA
52	082091200	HARNESS POWER OPTION FROM BATTERY	1	EA
53	090051201	HARNESS MIRROR HEATED	1	EA
54	090093202	HARNESS JUMPER CARGO DOME LAMP	1	EA
55	092094203	HARNESS POWER KEYLESS	1	EA
56	098085201	HARNESS HOOD 2009 FCC AL HOOD	1	EA
57	132092202	HARNESS SEAT BELT BUZZER LIGHT	1	EA
58	137392203	HARNESS JUMPER STEP WELL LAMP	1	EA
59	155084203	HARNESS SW RAD OFF REV TRIG W/RLY	1	EA
60	162088201	HARNESS JUMPER AUX ACCY	1	EA
61-64	165084202	HARNESS INSTRUMENT PANEL	1	EA
65-66	165088203	HARNESS CHASSIS INTERFACE FCC	1	EA
67-68	167086202	HARNESS REAR WIRING	1	EA
69	167093200	HARNESS ROOF CANADA POST 2016	1	EA
70	167094202	HARNESS KEYLESS ROOF/NOSE CS/BLKH/RR	1	EA
71	167094203	HARNESS KEYLESS ROOF CS/BLKH/RR	1	EA
72	167094204	HARNESS JUMPER SWITCH REAR DOOR	2	EA
73	167094205	HARNESS KEYLESS ROOF Y	1	EA
74	167094206	HARNESS KEYLESS DASH	1	EA
75-77	167391200	HARNESS ROOF/NOSE 85H	1	EA
78	205063200	HARNESS WASHER BOTTLE PIGTAIL	1	EA
79	207084210	HARNESS FCCC WIPER JUMPER	1	EA
80	222079200	HARNESS BLIND SPOT TURN TRIGGER	1	EA
81	46025591	HARNESS SPEAKER	1	EA
82	48200165	CABLE MONITOR POWER	1	EA
83	88117437	HARNESS JUMPER TEE GENERIC	1	EA
84	88117500	HARNESS JUMPER 3CIRC 3' (36")	1	EA
85	48200167	CABLE CAMERA TO MONITOR 32'	1	EA
85	48200171	CABLE CAMERA TO MONITOR 5 METER	1	EA

DRAWING NO.	REV	SHT
007388300		1 OF 1
DESCRIPTION	DATE	BY
RELEASE TO PRODUCTION		

CIRCUIT	DESCRIPTION	END POINTS	FUNCTION
000	16 BLK	A1, B1, B2	GENERIC
001	16 BLK	A2, B3, B4	POWER

- VENDOR MAY REPLACE PIGTAILS WITH WIRING APPROVED MOLDINGS OR CONNECTORS. PIGTAILS SHOWN IN TERMINAL VIEW.
- HARNESSES TO BE TESTED FOR CONTENT, OPENS, SHORTS, AND CONTINUITY.
- CONNECTORS SHOWN FROM WIRE ENTRY SIDE, UNLESS OTHERWISE NOTED.
- SPLICES TO BE AUTOMATED WITH USE OF SHRINK TUBES. HEAT SHRINK BUTT SPLICES ARE ACCEPTABLE FOR M.O. FABRICATION IF NECESSARY.
- TAPE [1111098], 6" AT BREAKOUTS AND 2" AT LOOM ENDS.
- HARNESSES TO HAVE A LABEL SHOWING MORGAN OLSON PART NUMBER, REVISION LEVEL, AND DATE OF MANUFACTURE.
- SPLIT POLY LOOM UNLESS OTHERWISE NOTED.

NOTES:
1. SXL WIRE.

PROPRIETARY

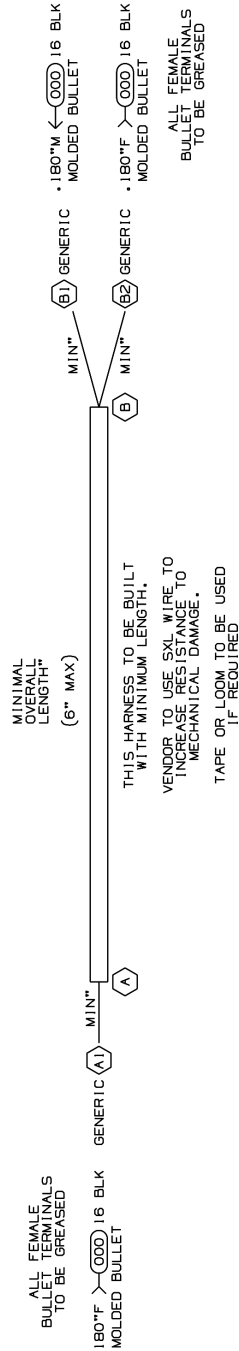
This drawing and the information contained hereon are the property of Morgan Olson. It is to be used for the production of parts only. It is not to be reproduced, stored in a retrieval system, or transmitted in any form or by any means, electronic, mechanical, photocopying, recording, or by any information storage and retrieval system, without the prior written consent of Morgan Olson.



REVISIONS	DATE	BY	DESCRIPTION
001	09JUL07	TMC	RELEASE TO PRODUCTION
002	09JUL07	TMC	RELEASE TO PRODUCTION

HARNESSES AND LOOM TOLERANCES	
UP TO 60" : -0/+2"	
60" TO 100" : -0/+4"	
100" TO 200" : -0/+5"	
200" TO 400" : -0/+6"	
400" TO 600" : -0/+7"	
OVER 600" : -0/+8"	
BO TO BO : -0/+2"	

FIRST USE:
BASIC CIRCUIT
SPLITTER



DRAWING NO.	REV	SHT
007388322		1 OF 1
DESCRIPTION	DATE	BY
RELEASE TO PRODUCTION		

CIRCUIT	DESCRIPTION	END POINTS	FUNCTION
000	16 WHT	A1, B1, B2	GROUND
001	16 BLK	A2, B3, B4	POWER

- VENDOR MAY REPLACE PIGTAILS WITH WIRING APPROVED MOLDINGS OR CONNECTORS. PIGTAILS SHOWN IN TERMINAL VIEW.
- HARNESSES TO BE TESTED FOR CONTENT, OPENS, SHORTS, AND CONTINUITY.
- CONNECTORS SHOWN FROM WIRE ENTRY SIDE, UNLESS OTHERWISE NOTED.
- SPLICES TO BE AUTOMATED WITH HEAT SHRINK TUBING. HEAT SHRINK BUTT SPLICES ARE ACCEPTABLE FOR M.O. FABRICATION IF NECESSARY.
- TAPE [1111098], 6" AT BREAKOUTS AND 2" AT LOOM ENDS.
- HARNESSES TO HAVE A LABEL SHOWING MORGAN OLSON PART NUMBER, REVISION LEVEL, AND DATE OF MANUFACTURE.
- SPLIT POLY LOOM UNLESS JACKETED CABLE IS USED.
- JACKETED CABLE AS NOTED.

NOTES:

PROPRIETARY

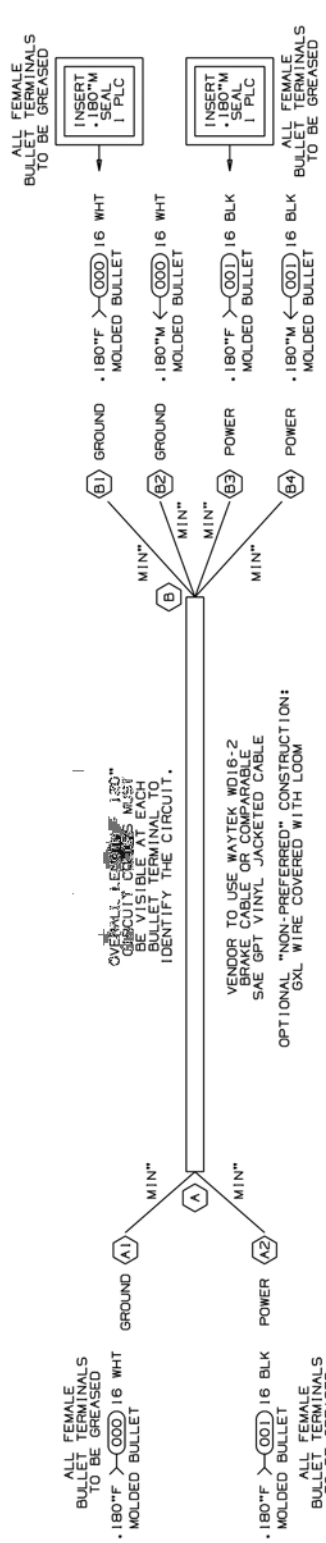
This drawing and the information contained hereon are the property of Morgan Olson. It is to be used for the production of parts only. It is not to be reproduced, stored in a retrieval system, or transmitted in any form or by any means, electronic, mechanical, photocopying, recording, or by any information storage and retrieval system, without the prior written consent of Morgan Olson.



REVISIONS	DATE	BY	DESCRIPTION
001	09JUL07	TMC	RELEASE TO PRODUCTION
002	09JUL07	TMC	RELEASE TO PRODUCTION

HARNESSES AND LOOM TOLERANCES	
UP TO 60" : -0/+2"	
60" TO 100" : -0/+4"	
100" TO 200" : -0/+5"	
200" TO 400" : -0/+6"	
400" TO 600" : -0/+7"	
OVER 600" : -0/+8"	
BO TO BO : -0/+2"	

FIRST USE:
BASIC CIRCUIT
MID-BODY
MARKER



DRAWING NO.	REV	SHT
082091200		1 OF 1
REV.	DESCRIPTION	BY
	RELEASE FOR PRODUCTION	

- SEALED CONNECTORS AS NOTED TO BE GREASED TO PREVENT CORROSION FROM PREVENTATIVE COMPOUND OR EQUIV.
- THIS IS A PURCHASED MATERIAL. EXIST.
- VENDOR TO REPLACE APPROVED MOLDINGS OR CONNECTORS. PIGTAILS SHOWN IN TERMINAL VIEW. PIGTAIL PART NUMBER SHOWN FOR REFERENCE ONLY.
- HARNESS TO BE TESTED FOR CONTENT, OPENS, SHORTS, AND CONTINUITY.
- CONNECTORS SHOWN FROM WIRE ENTRY SIDE, UNLESS OTHERWISE NOTED.
- SPLICES TO BE AUTOMATED WITH HEAT SHRINK TUBING.
- TAPE [1111098]: 6" AT BREAKOUTS AND 2" AT LOOM ENDS.
- HARNESS TO HAVE A LABEL SHOWING GRIMMAN OLSON PART NUMBER, REVISION LEVEL AND DATE OF MANUFACTURE.
- 65 LIT POLY LOOM UNLESS OTHERWISE NOTED.
- GXL WIRE.

PROPRIETARY

MORGAN MOLSON

GENERAL WARNING UNLESS OTHERWISE NOTED:
 1. THIS DRAWING IS THE PROPERTY OF MORGAN MOLSON. IT IS TO BE USED ONLY FOR THE PURPOSES SPECIFIED HEREIN. IT IS NOT TO BE REPRODUCED, COPIED, OR TRANSMITTED IN ANY FORM OR BY ANY MEANS, ELECTRONIC OR MECHANICAL, INCLUDING PHOTOCOPYING, RECORDING, OR BY ANY INFORMATION STORAGE AND RETRIEVAL SYSTEM, WITHOUT THE WRITTEN PERMISSION OF MORGAN MOLSON.
 2. ALL DIMENSIONS ARE IN INCHES UNLESS OTHERWISE NOTED.
 3. DIMENSIONS IN PARENTHESES ARE HATCH CONFORMS WITH THE DIMENSIONS IN THE DRAWING.
 4. DIMENSIONS IN PARENTHESES ARE HATCH CONFORMS WITH THE DIMENSIONS IN THE DRAWING.
 5. DIMENSIONS IN PARENTHESES ARE HATCH CONFORMS WITH THE DIMENSIONS IN THE DRAWING.

DATE: 08-0010
 DFW
 O8JAN08 O8JAN08
 DO NOT SCALE

HARN-PWR, OPTION, FROM BAIT

DRAWING NO. 082091200

SCALE NONE

SHT 1 OF 1

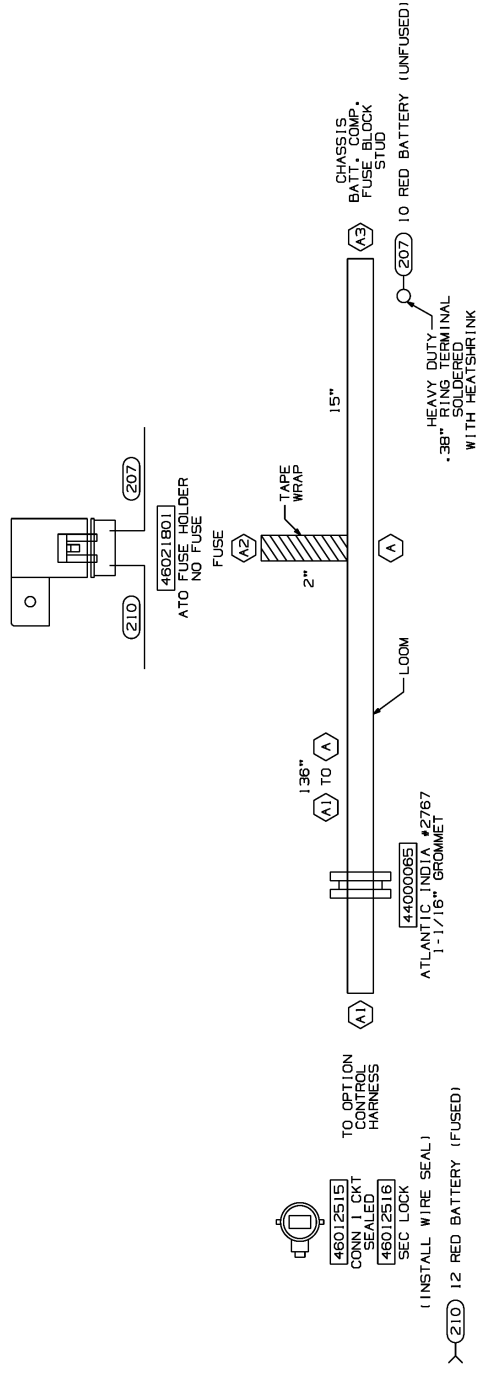
BASED ON: 074093201

HARNESS AND LOOM TOLERANCES

UP TO 60"	: -0/+2"
60" TO 100"	: -0/+4"
100" TO 200"	: -0/+5"
200" TO 400"	: -0/+6"
400" TO 600"	: -0/+7"
OVER 600"	: -0/+8"

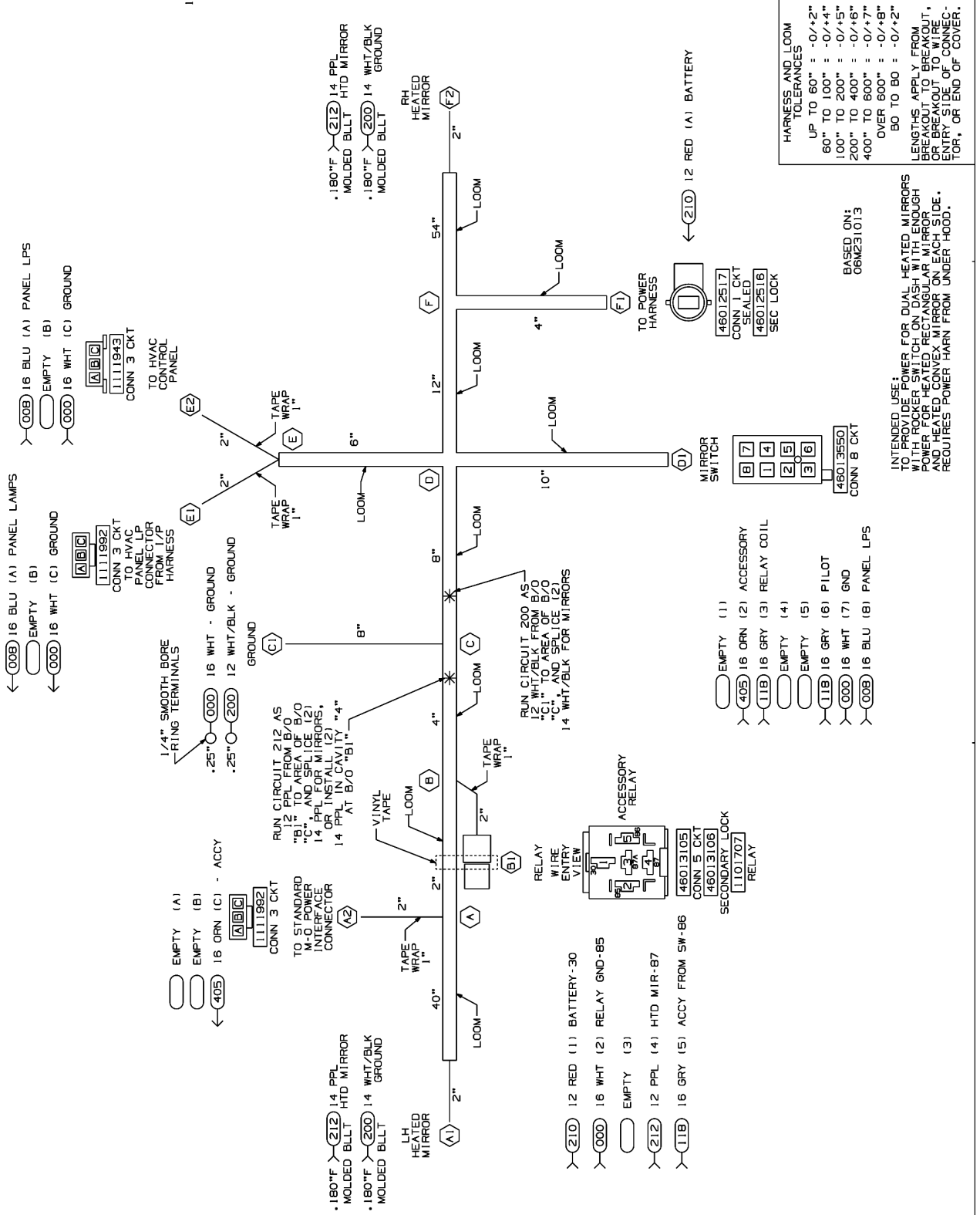
BO TO BO : -0/+2"

TOLERANCE IS NOT APPLICABLE TO OVERALL HARNESS LENGTH, PRE-LOOM TO END, OR LOOM.



CIRCUIT	GAUGE/COLOR	END POINTS	FUNCTION
207	10 RED	A2,A3	BATTERY (UNFUSED)
210	12 RED	A1,A2	BATTERY (FUSED)

DRAWING NO.	REV	SHT
090051201		1 OF 1
REV.	DESCRIPTION	BY
	RELEASE FOR PRODUCTION	



CIRCUIT	DESCRIPTION	END POINTS	FUNCTION
000	16 WHT	B1,C1,D1,E1,E2	GROUND
00B	16 BLU	D1,E1,E2	PANEL LAMPS
11B	16 GRN	B1,D1,D1	SWITCHED ACCY
200	12/14 WHT/BLK	A1,C1,F2	GROUND - MIRRORS
210	12 RED	B1,F1	FUSED FEED FROM BATTERY
212	12/14 PPL	A1,B1,F2	RELAY OUTPUT TO MIRRORS
405	16 ORN	A2,D1	ACCESSORY CIRCUIT

HARNESS AND LOOM TOLERANCES

UP TO 60"	: -0/+2"
60" TO 100"	: -0/+4"
100" TO 200"	: -0/+5"
200" TO 400"	: -0/+6"
400" TO 600"	: -0/+7"
OVER 600"	: -0/+8"

BO TO BO : -0/+2"

TOLERANCE IS NOT APPLICABLE TO OVERALL HARNESS LENGTH, PRE-LOOM TO END, OR LOOM.

INTENDED USE:
 TO PROVIDE POWER FOR DUAL HEATED MIRRORS WITH ROCKER SWITCH ON DASH WITH ENOUGH AMPERAGE TO OPERATE BOTH MIRRORS. AND HEATED CONVEX MIRROR ON EACH SIDE. REQUIRES POWER HARN FROM UNDER HOOD.

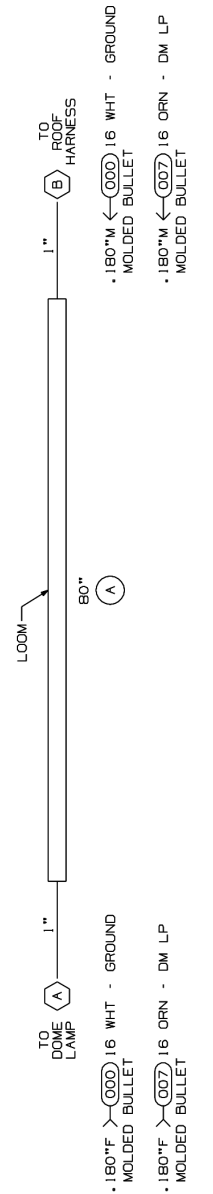
DRAWING NO.	REV	SHT
090093202	A	1 OF 1
DESCRIPTION	BY	DATE
RELEASE FOR PRODUCTION		
A 80" WAS 64"		

9. THIS IS A PURCHASED HARNESS. NO BILL OF MATERIAL EXISTS.
8. VENDOR MAY REPLACE PARTS WITH APPROVED MOLDINGS OR CONNECTORS. PIGTAILS SHOWN IN TERMINAL VIEW.
7. HARNESS TO BE TESTED FOR CONTENT, OPENS, SHORTS, AND CONTINUITY.
6. CONNECTORS SHOWN FROM WIRE ENTRY SIDE UNLESS OTHERWISE NOTED.
5. SPLICES TO BE AUTOMATED WITH HEAT SHRINKING LINED HEAT SHRINK TUBING.
4. TAPE [1111096]: 6" AT BREAKOUTS, 2" AT 18" INTERVALS FOR UNINTERRUPTED LOOM LENGTHS GREATER THAN 24", AND 2" AT LOOM ENDS.
3. HARNESS TO HAVE A LABEL SHOWING MORGAN OLSON PART NUMBER, REVISION LEVEL, AND DATE OF MANUFACTURE.
2. SPLIT POLY LOOM UNLESS OTHERWISE NOTED.
1. GXL WIRE.

NOTES:

PROPRIETARY
This drawing and the information and data contained hereon are the property of Morgan Olson and may be used for any purpose other than that intended hereon without the written consent of Morgan Olson.

MORGAN MOLSON	
GENERAL STANDARDS UNLESS OTHERWISE NOTED: 1. TOLERANCE: ±.015 UNLESS OTHERWISE NOTED. 2. BREAK ALL EXPOSED SHARP EDGES AND CORNERS. 3. ALL DIMENSIONS ARE TO CENTER UNLESS OTHERWISE NOTED. 4. ALL DIMENSIONS ARE TO CENTER UNLESS OTHERWISE NOTED. 5. ALL DIMENSIONS ARE TO CENTER UNLESS OTHERWISE NOTED.	
HARNESSES AND LOOM TOLERANCES	
UP TO 60" : -0/+2"	
60" TO 100" : -0/+4"	
100" TO 200" : -0/+5"	
200" TO 400" : -0/+6"	
400" TO 600" : -0/+7"	
OVER 600" : -0/+8"	
BO TO BO : -0/+2"	
LENGTHS APPLY FROM BREAKOUT TO BREAKOUT, OR BREAKOUT TO WIRE ENTRY SIDE OF CONNECTOR, OR END OF COVER.	
DATE	28816
DATE	26OCT09
DO NOT SCALE	
NAME	HARN JPR CRG D/LP GEN .180BLLT
DRAWING NO.	090093202
SCALE	NONE
REV	A



FEMALE BULLET TERMINALS TO BE GREASED

FIRST USE:
CV100632
BASED ON:
007366369

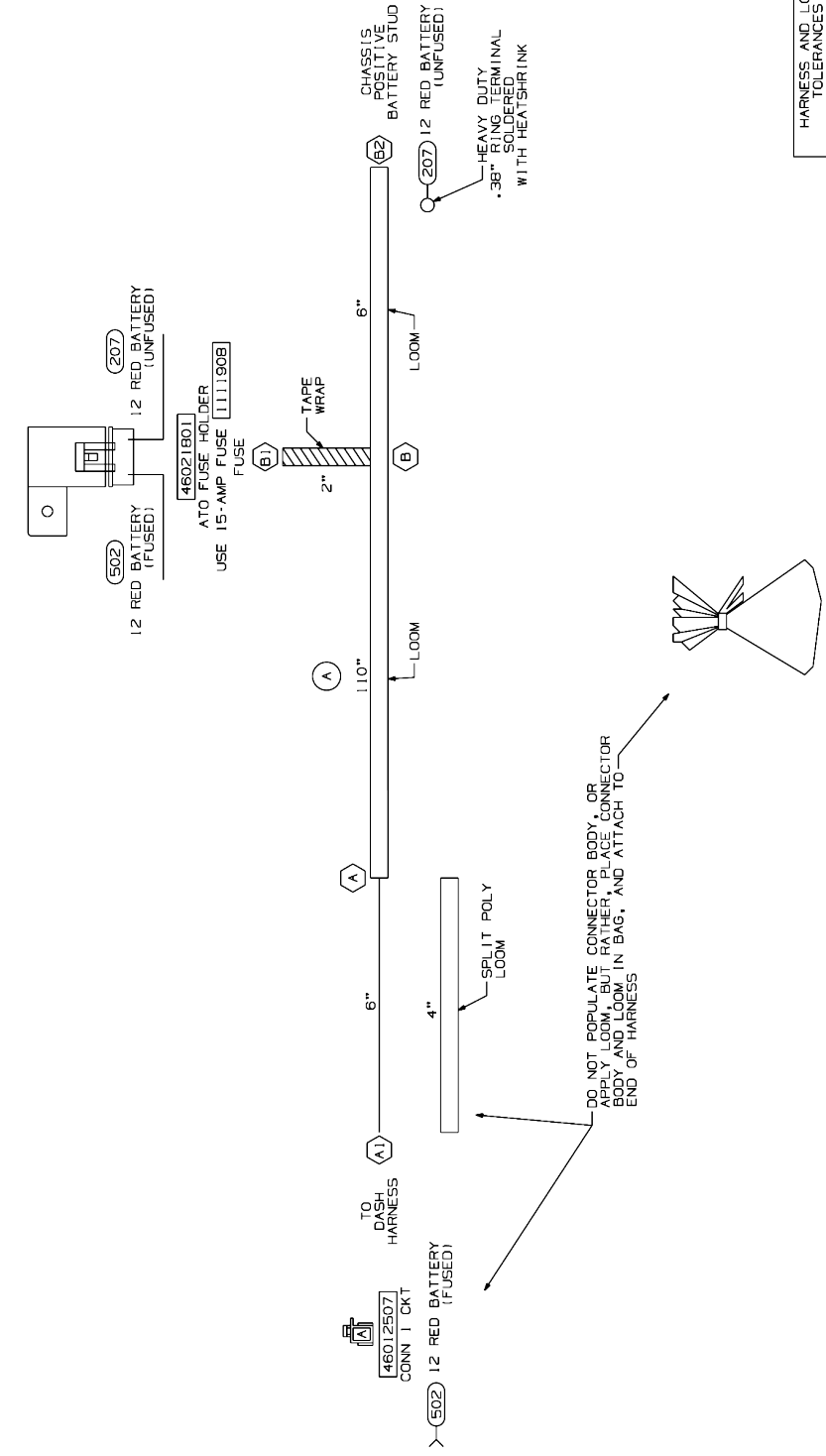
DRAWING NO.	REV	SHT
092094203	A	1 OF 1
DESCRIPTION	BY	DATE
RELEASE FOR PRODUCTION		
A 110" WAS 106"		

9. THIS IS A PURCHASED HARNESS. NO BILL OF MATERIAL EXISTS.
8. VENDOR TO REPLACE PIGTAILS WITH WIRING TO APPROVED MOLDINGS OR CONNECTORS. PIGTAILS SHOWN IN TERMINAL VIEW FOR REFERENCE ONLY.
7. HARNESS TO BE TESTED FOR CONTENT, OPENS, SHORTS, AND CONTINUITY.
6. CONNECTORS SHOWN FROM WIRE ENTRY SIDE, UNLESS OTHERWISE NOTED.
5. SPLICES TO BE AUTOMATED WITH SOLDER AND ADHESIVE LINED HEAT SHRINK TUBING.
4. TAPE [1111096]: 6" AT BREAKOUTS, 2" AT 18" INTERVALS FOR UNINTERRUPTED LOOM LENGTHS GREATER THAN 24", AND 2" AT LOOM ENDS.
3. HARNESS TO HAVE A LABEL SHOWING MORGAN OLSON PART NUMBER, REVISION LEVEL, AND DATE OF MANUFACTURE.
2. SPLIT NYLON LOOM, BLACK WITH GRAY STRIPE ONLY UNLESS OTHERWISE NOTED.
1. GXL WIRE.

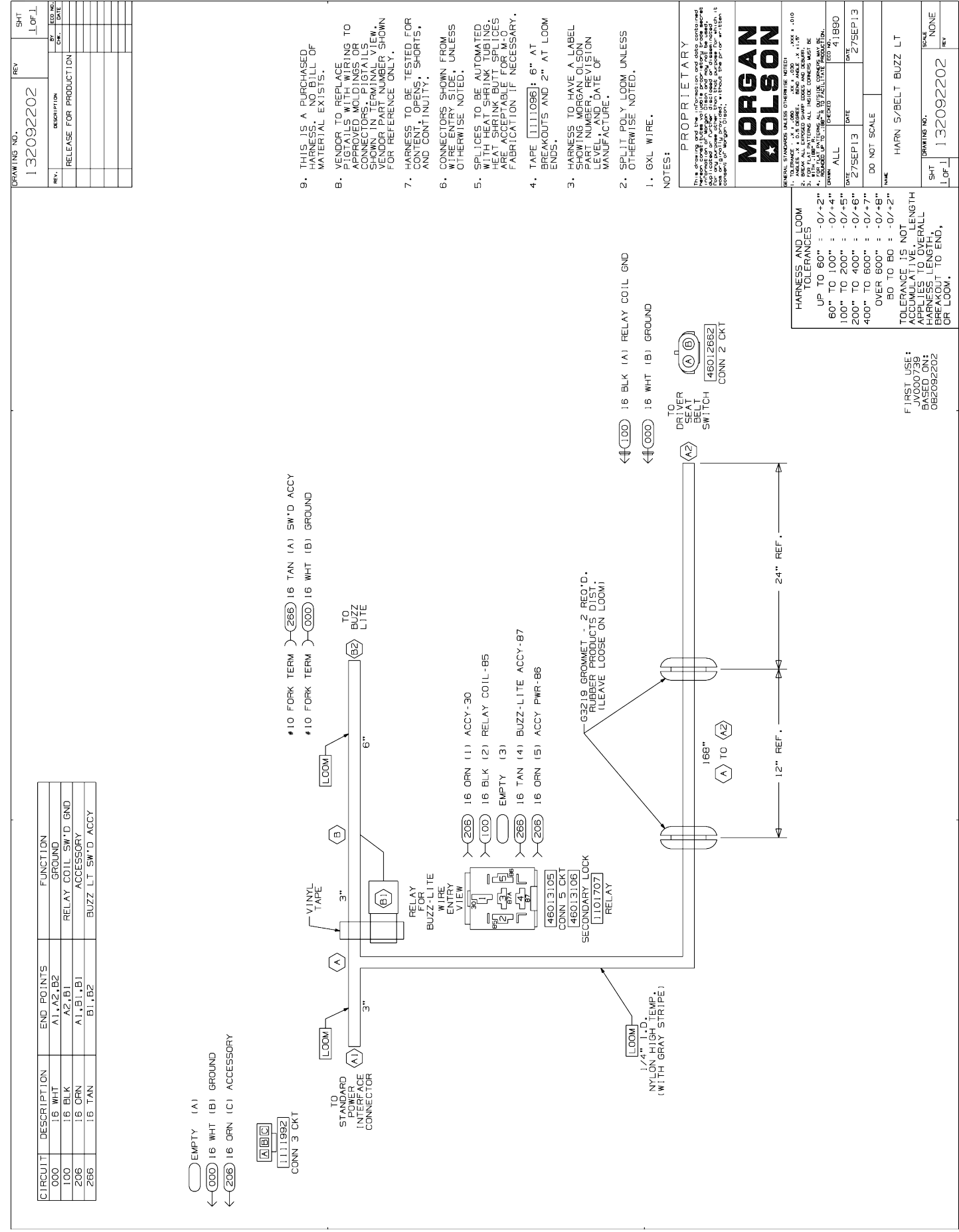
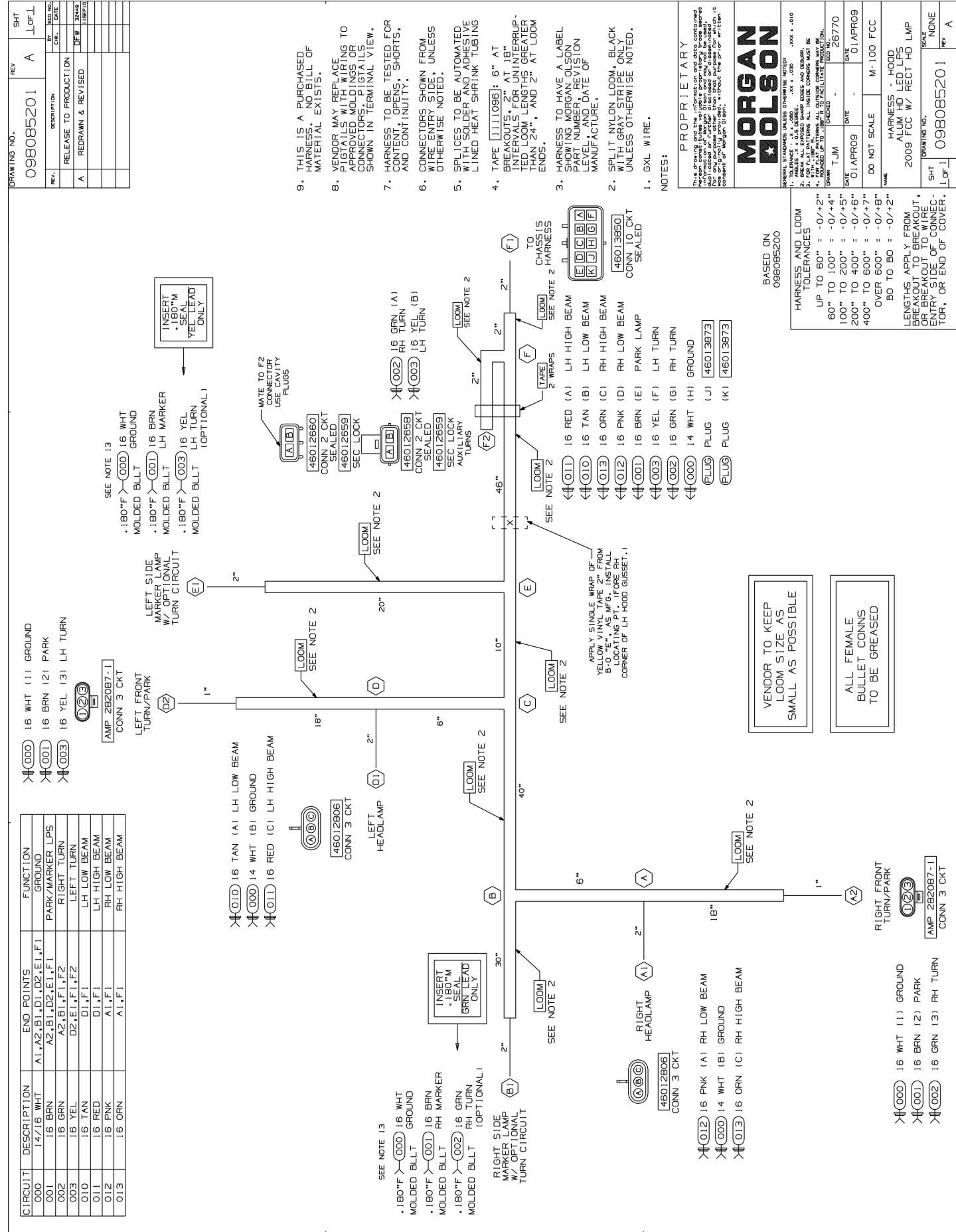
NOTES:

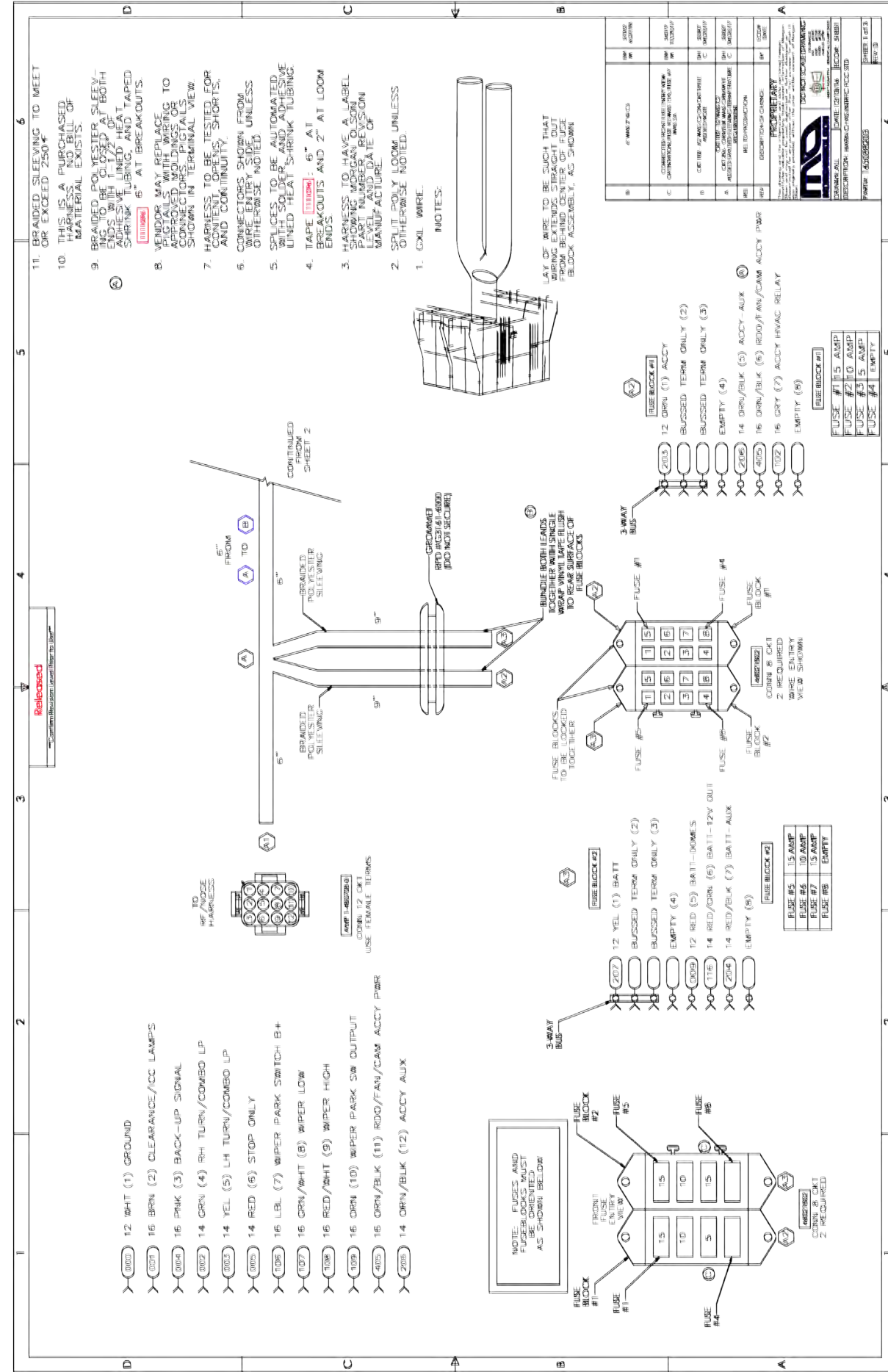
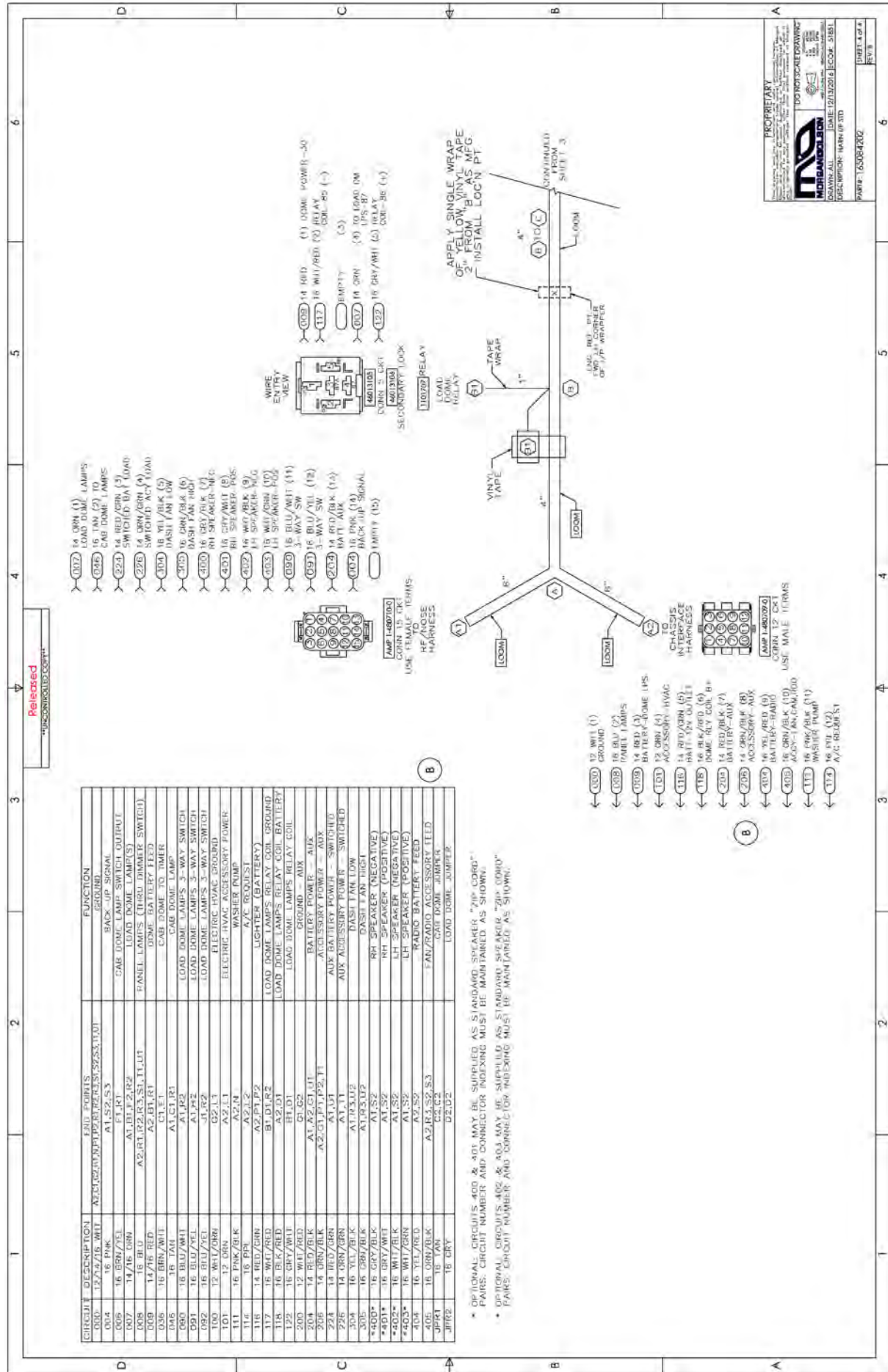
PROPRIETARY
This drawing and the information and data contained hereon are the property of Morgan Olson and may be used for any purpose other than that intended hereon without the written consent of Morgan Olson.

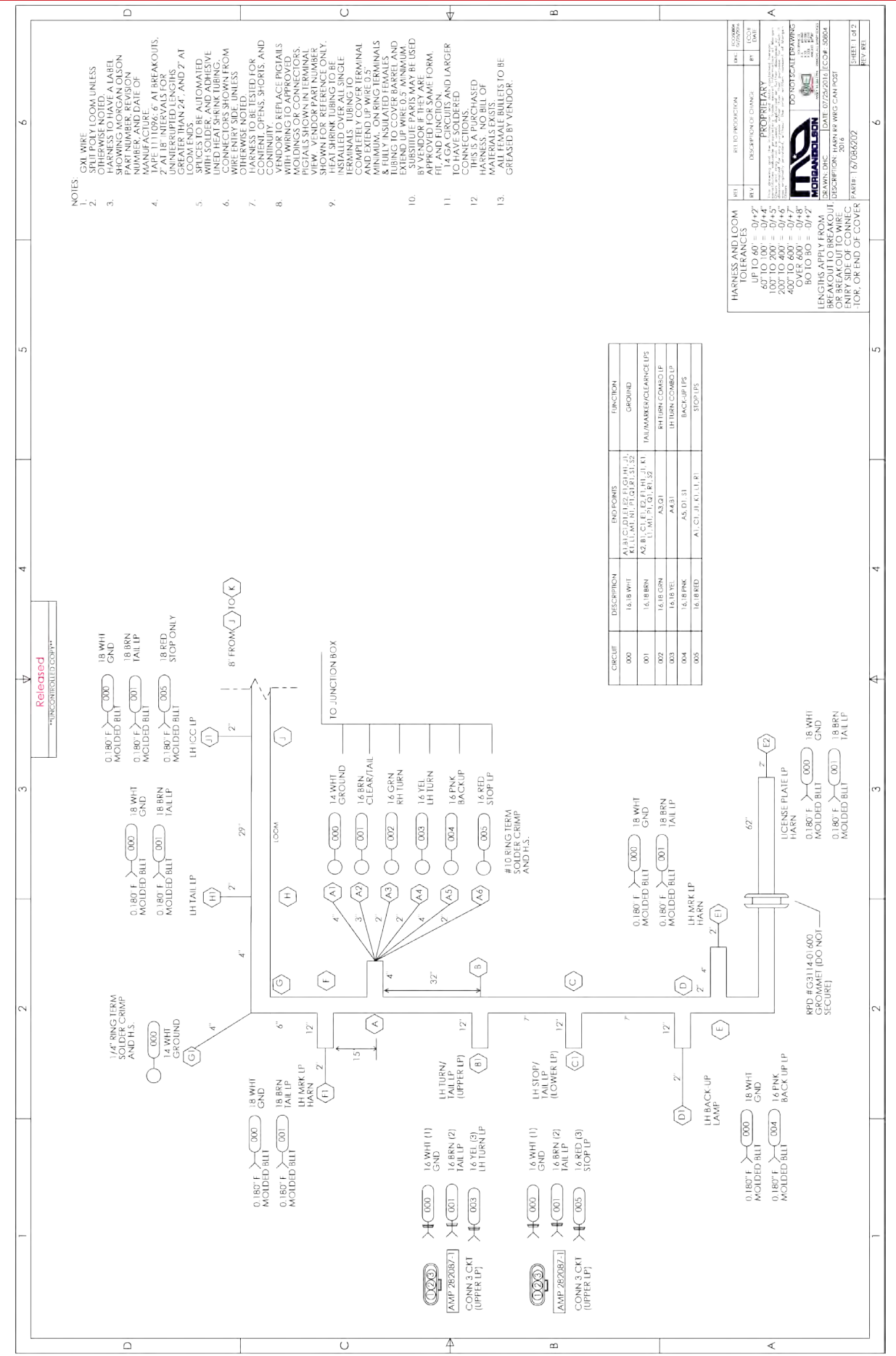
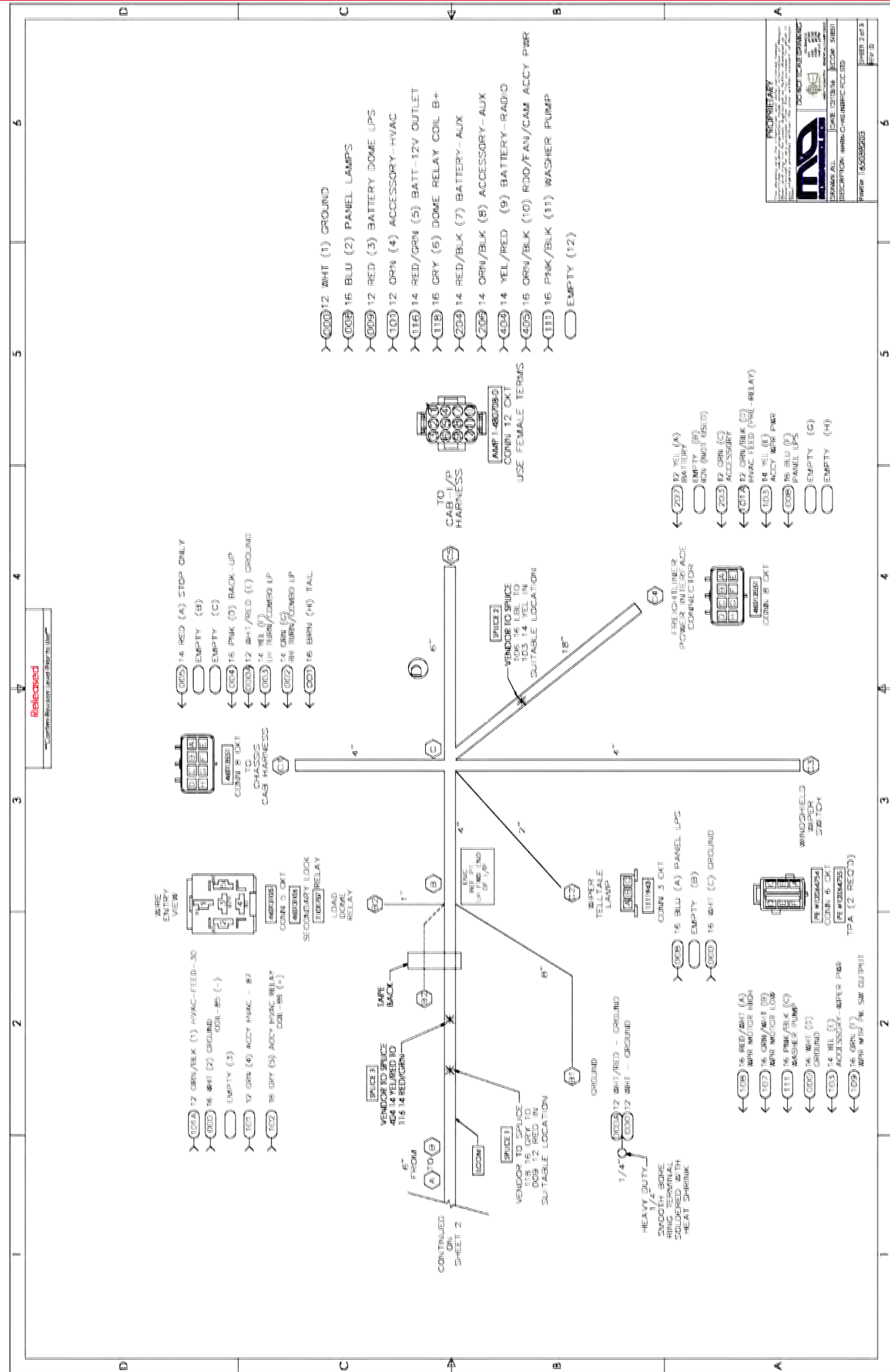
MORGAN MOLSON	
GENERAL STANDARDS UNLESS OTHERWISE NOTED: 1. TOLERANCE: ±.015 UNLESS OTHERWISE NOTED. 2. BREAK ALL EXPOSED SHARP EDGES AND CORNERS. 3. ALL DIMENSIONS ARE TO CENTER UNLESS OTHERWISE NOTED. 4. ALL DIMENSIONS ARE TO CENTER UNLESS OTHERWISE NOTED. 5. ALL DIMENSIONS ARE TO CENTER UNLESS OTHERWISE NOTED.	
HARNESSES AND LOOM TOLERANCES	
UP TO 60" : -0/+2"	
60" TO 100" : -0/+4"	
100" TO 200" : -0/+5"	
200" TO 400" : -0/+6"	
400" TO 600" : -0/+7"	
OVER 600" : -0/+8"	
BO TO BO : -0/+2"	
LENGTHS APPLY FROM BREAKOUT TO BREAKOUT, OR BREAKOUT TO WIRE ENTRY SIDE OF CONNECTOR, OR END OF COVER.	
DATE	29501
DATE	04OCT09
DO NOT SCALE	
NAME	HARN PWR KYLS SPCL 2009 M-100 R1L FCC
DRAWING NO.	092094203
SCALE	NONE
REV	A

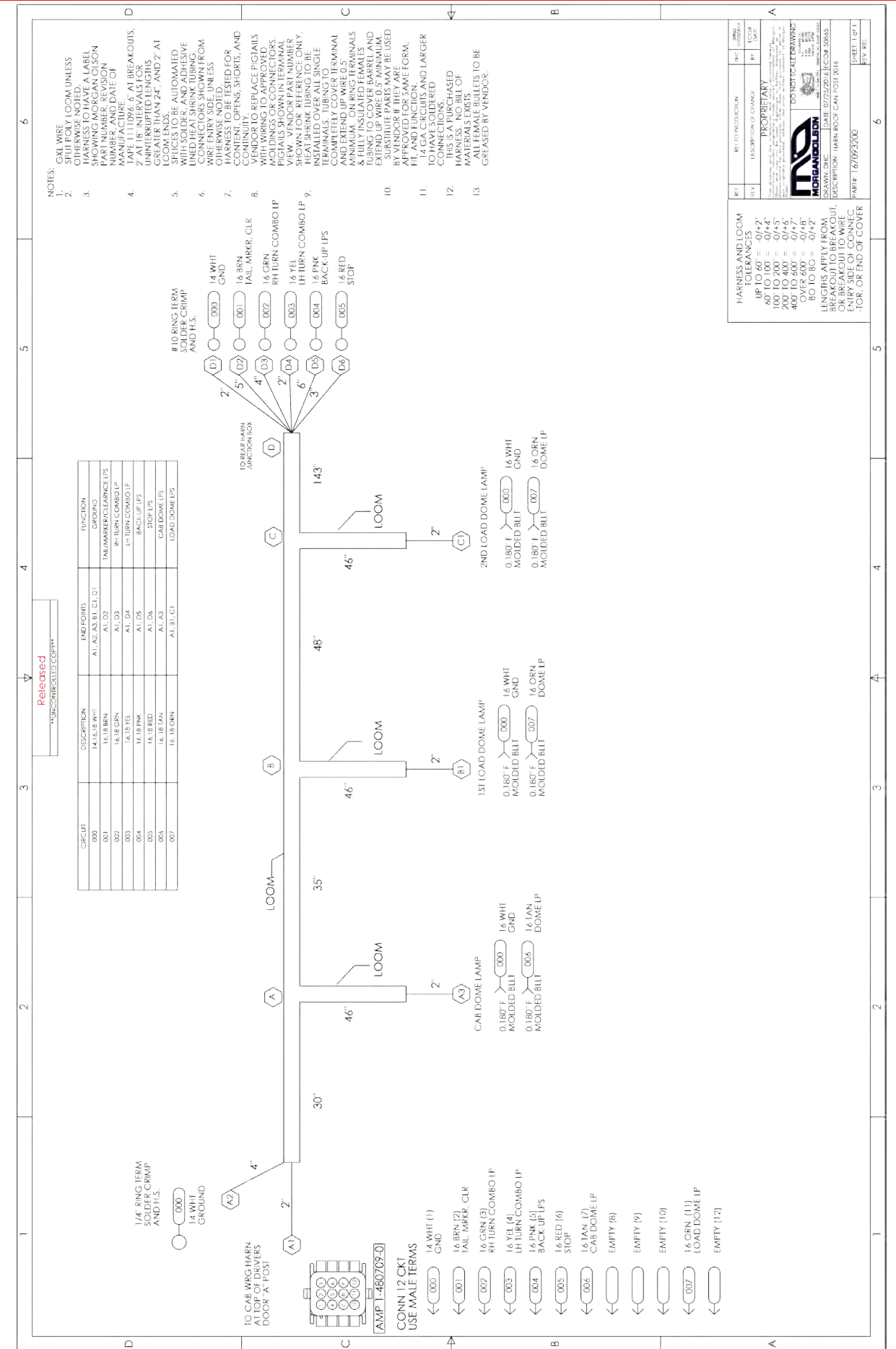
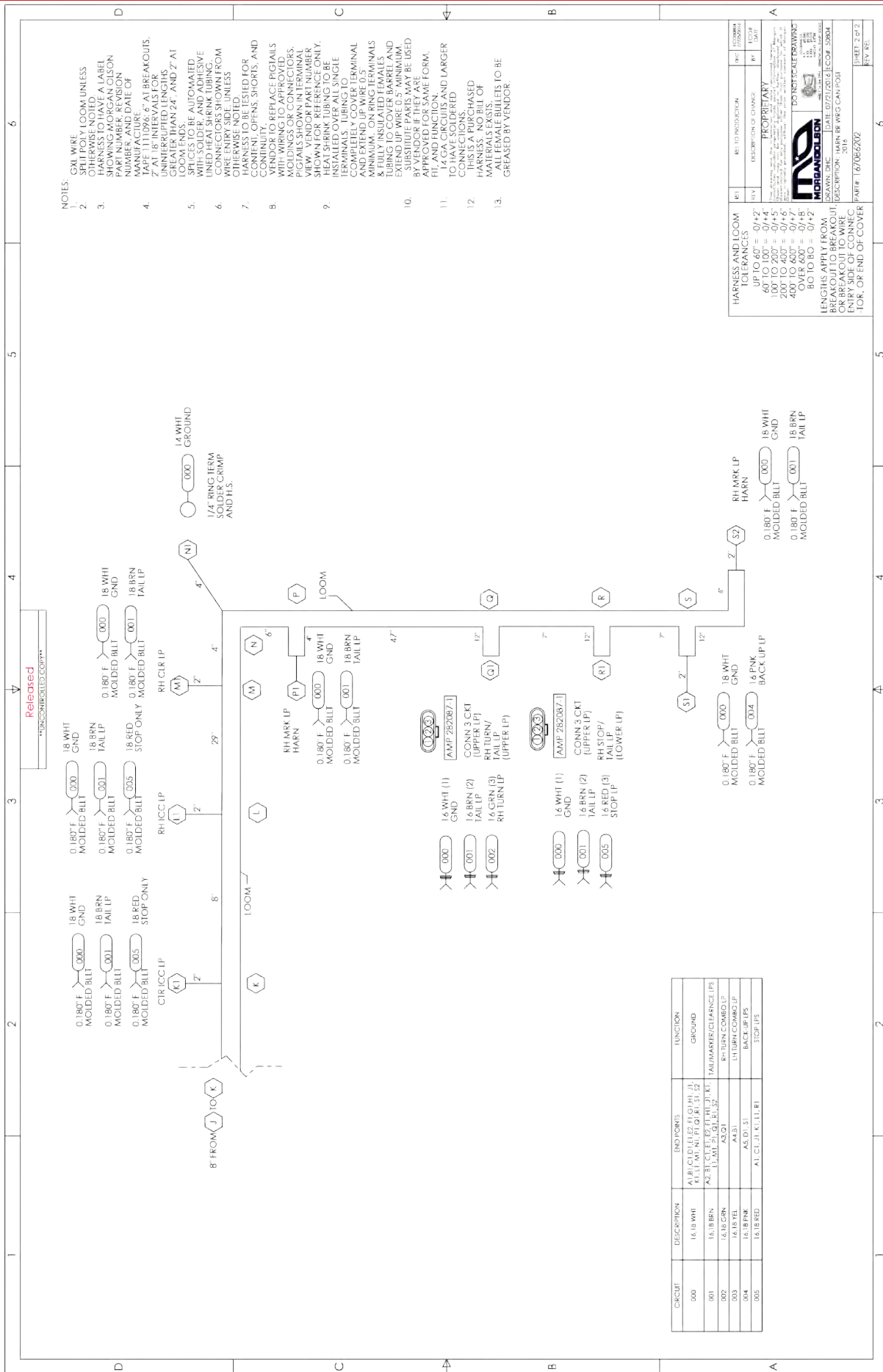


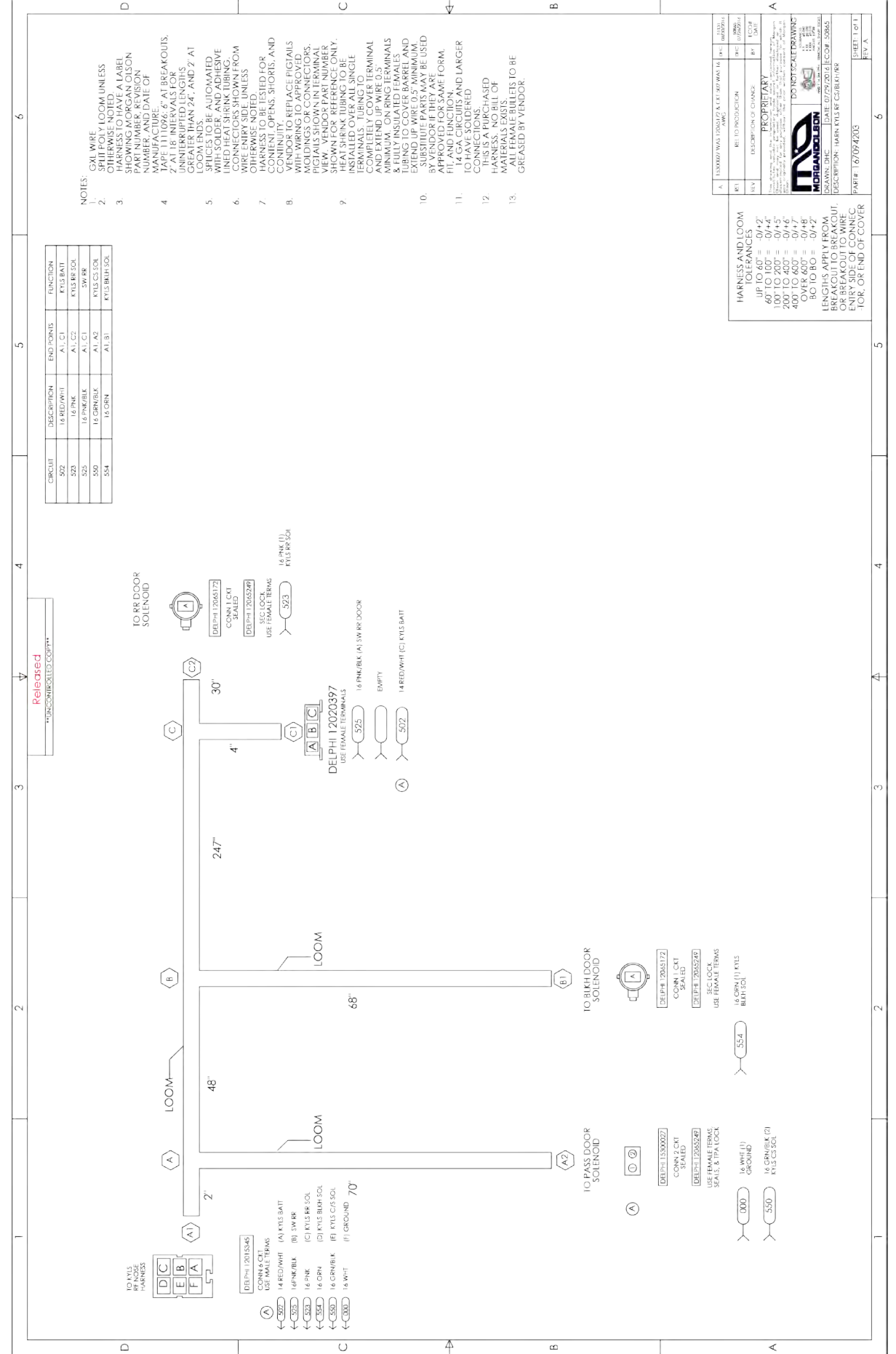
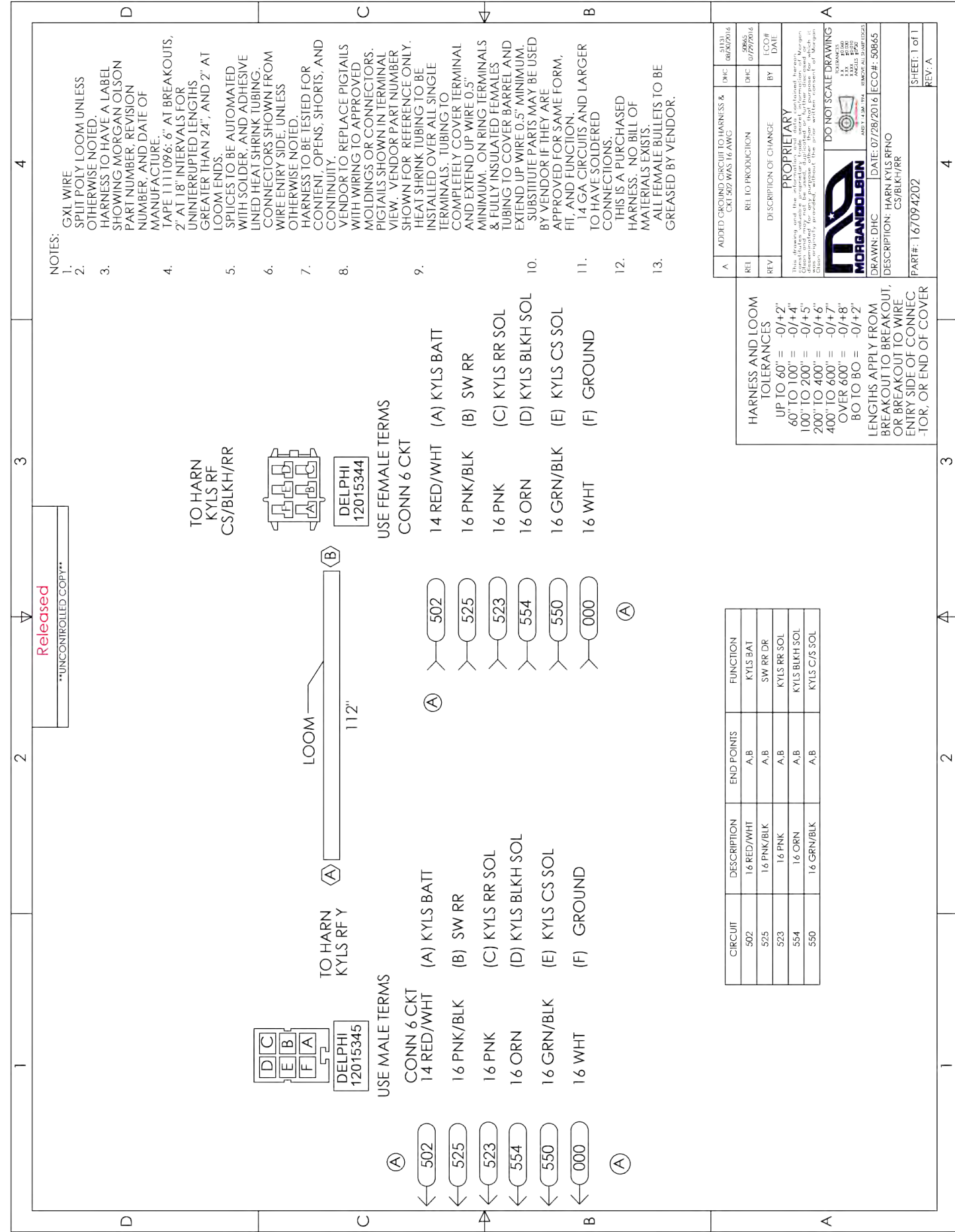
FIRST USE:
CV100626
BASED ON:
090094201

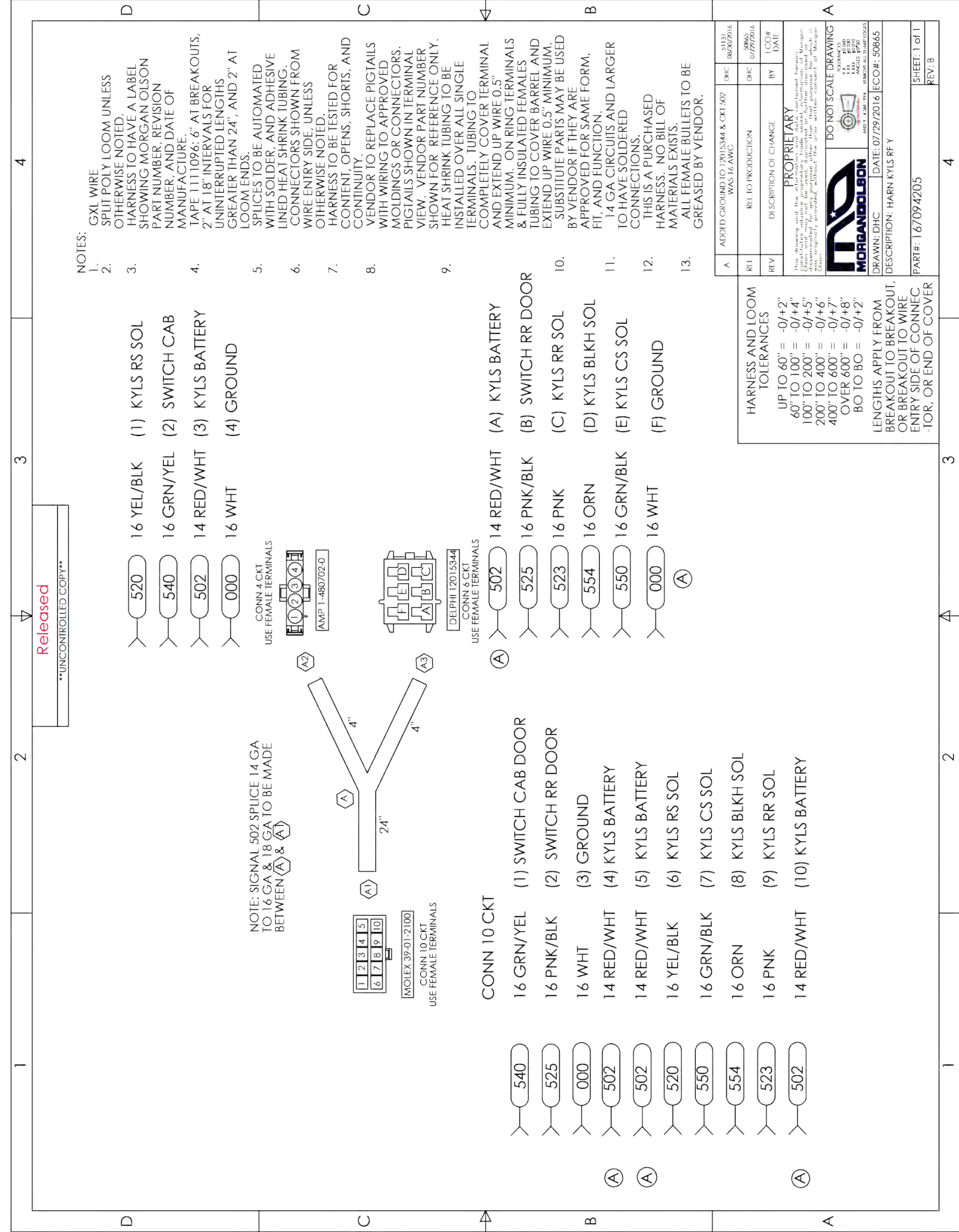
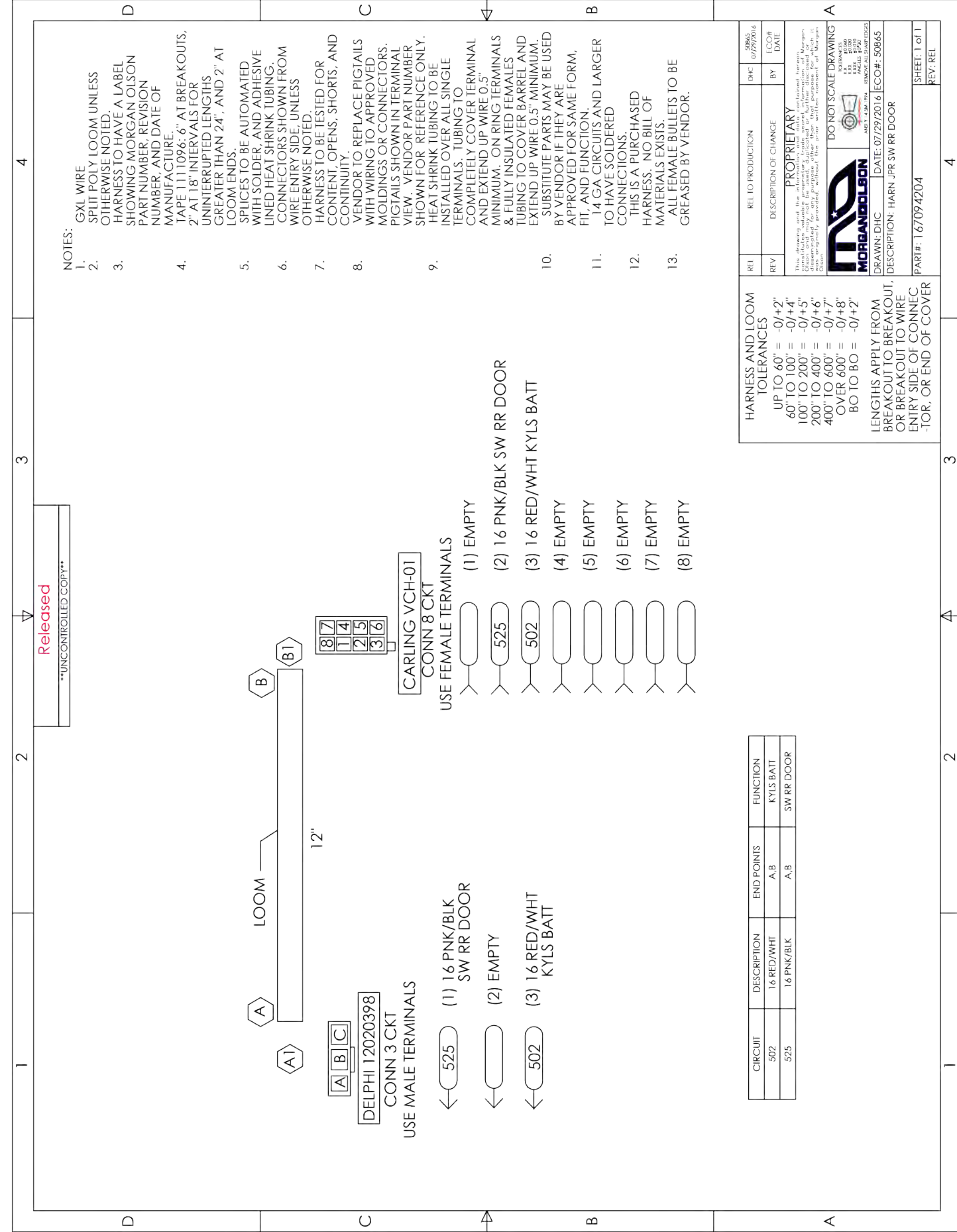


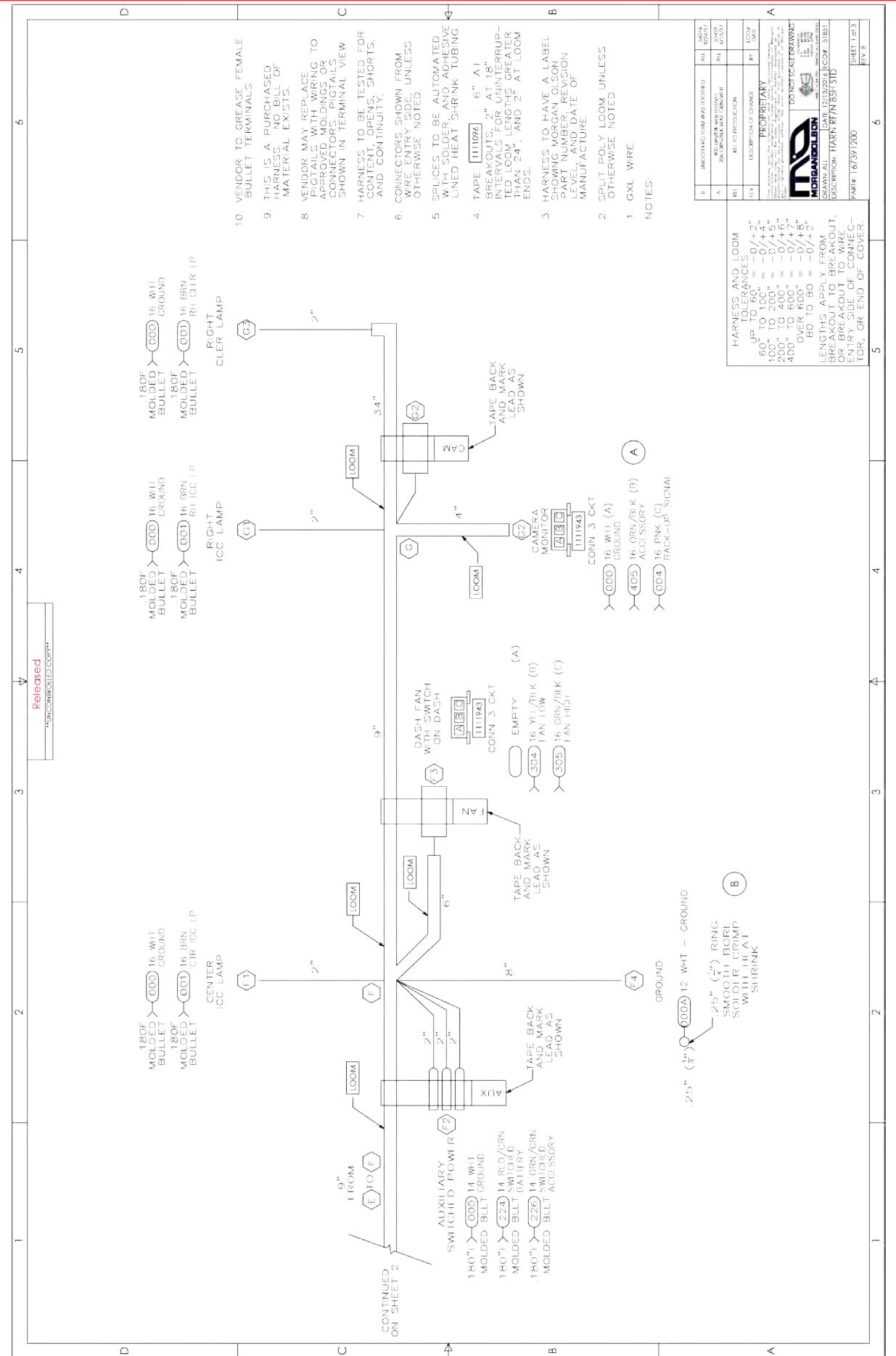
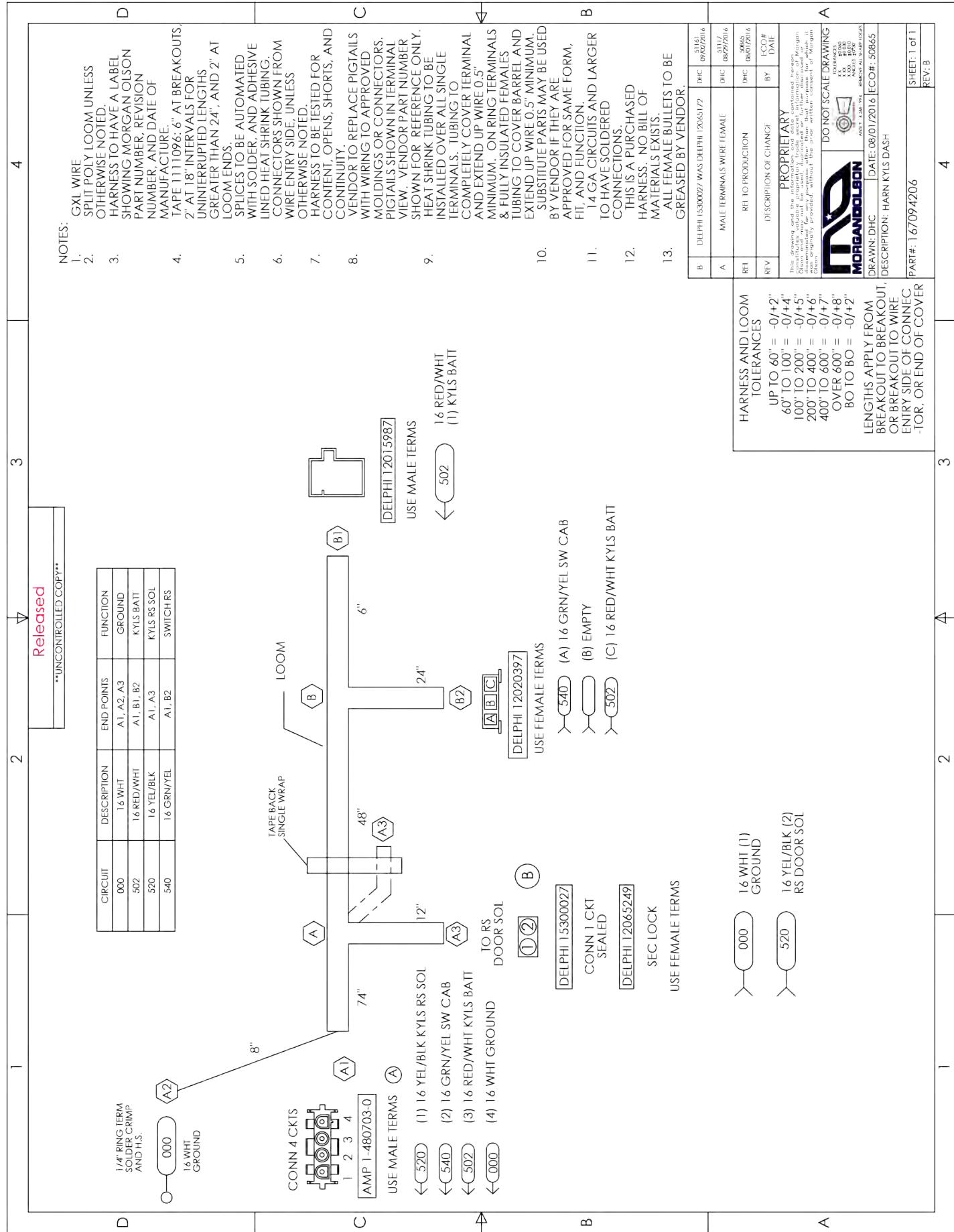


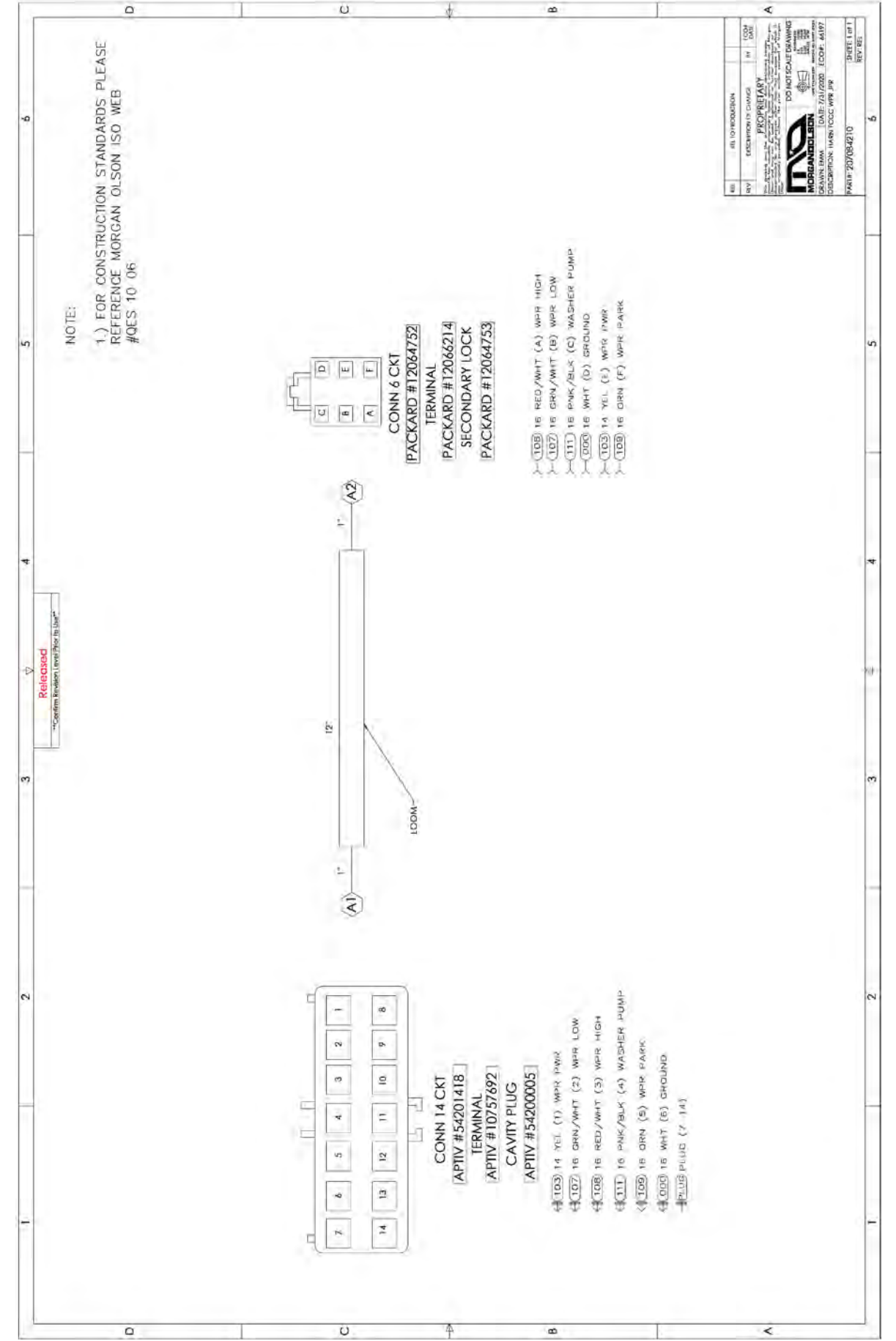
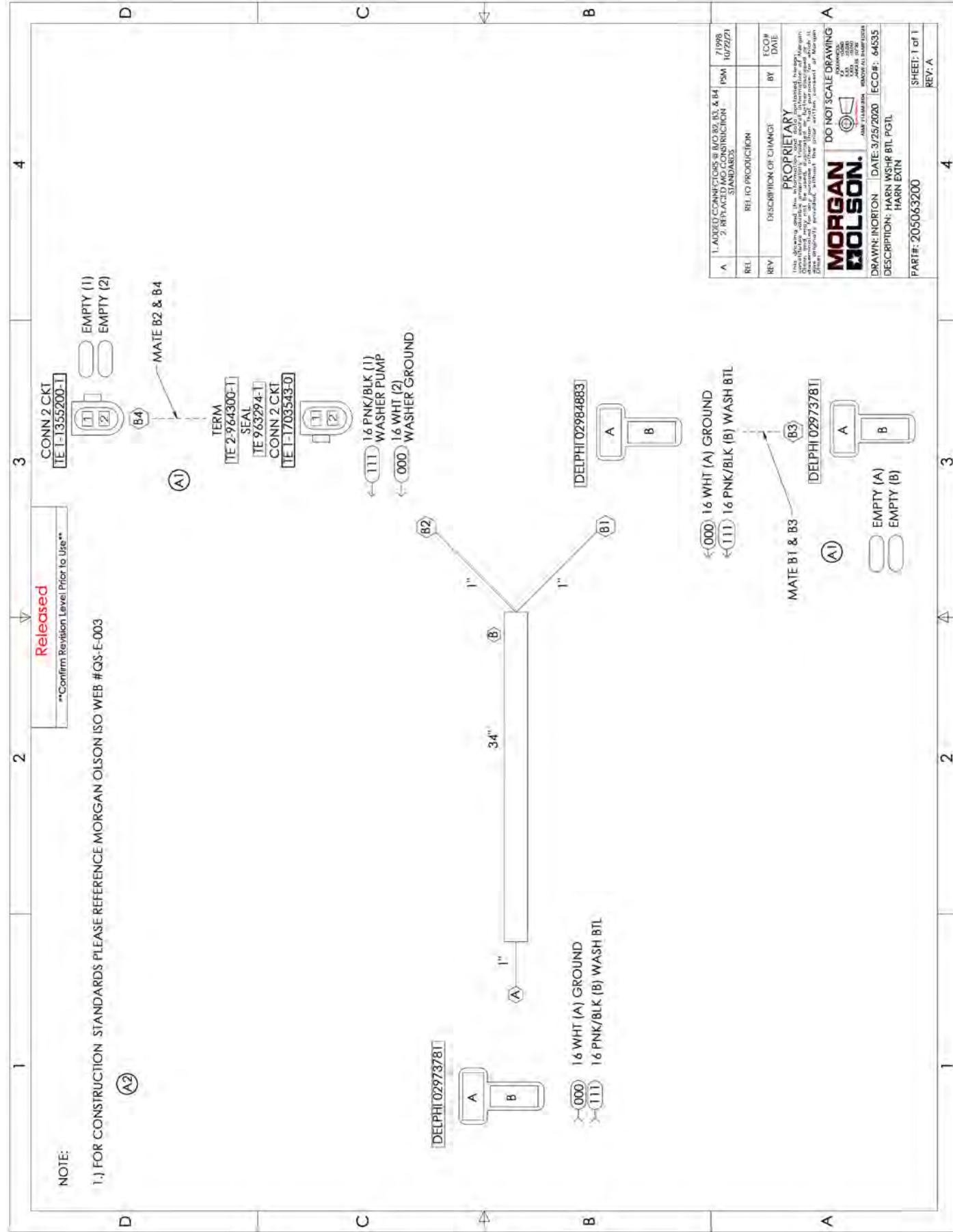


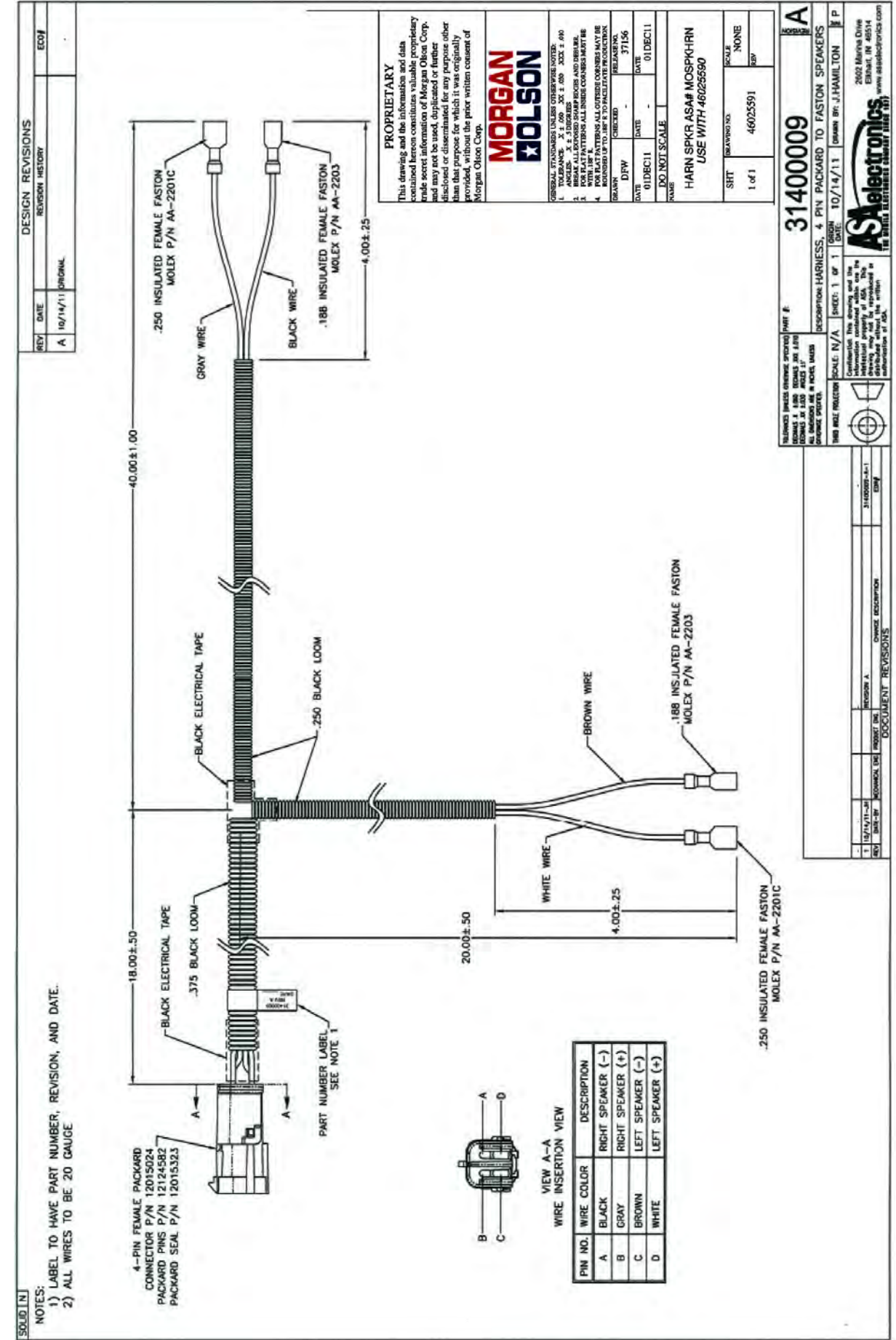
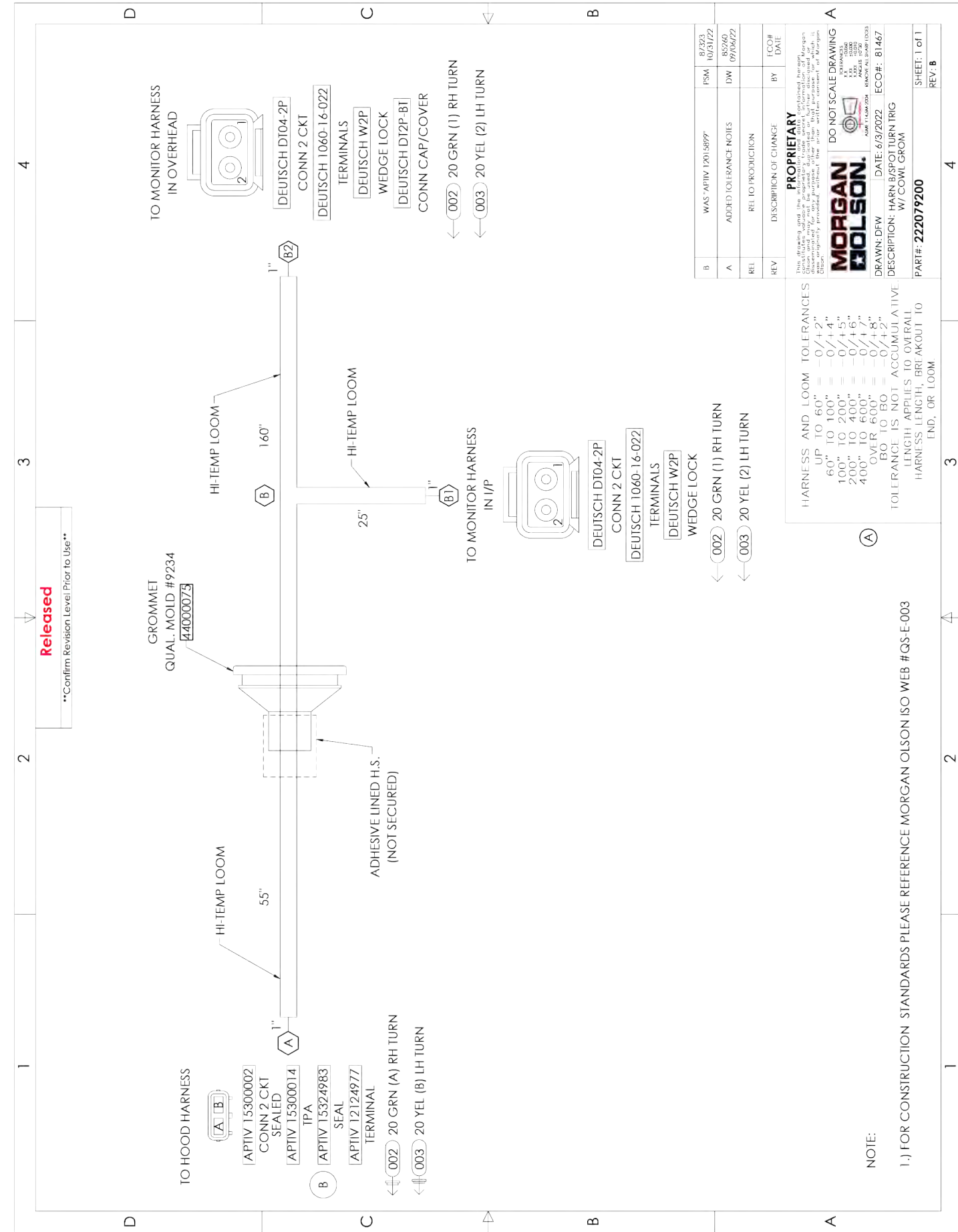






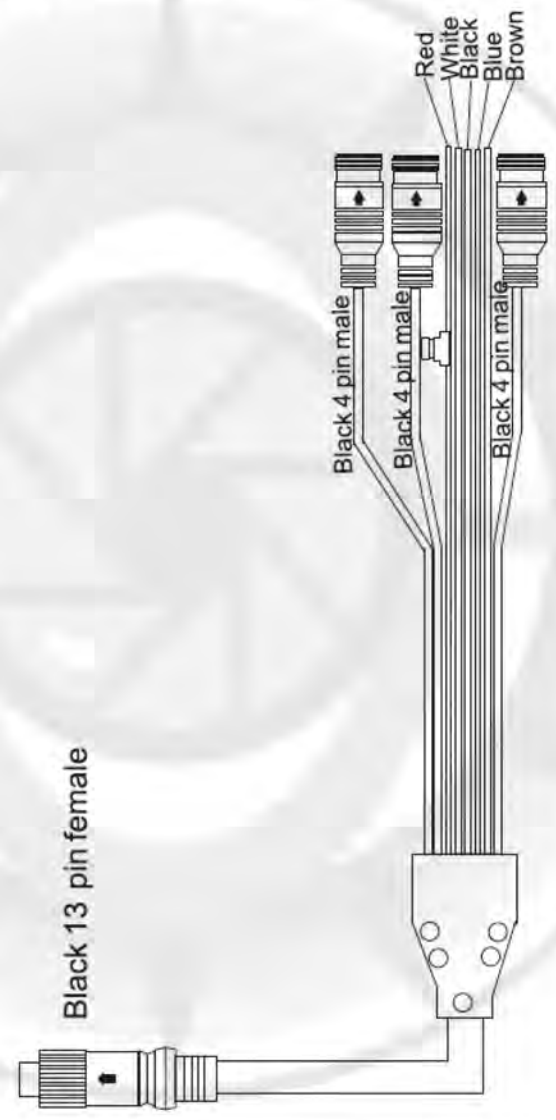






DRAWING NO. 48200165	REV	REL	SHT	1 of 1
	BY	CHK	DATE	
DESCRIPTION		RELEASE TO PRODUCTION		

- Black 4 pin male for Camera 1 / Camera 2 / Camera 3
- Single red wire for positive ignition power supply of DC / 10-32V
- Single black wire for GND
- Single brown wire to positive power wire of back-up light
- Single white wire to positive power wire of left turn light
- Single blue wire to positive power wire of right turn light



PROPRIETARY
This drawing and the information and data contained hereon constitutes valuable proprietary trade secret information of Morgan Olson Corp. and may not be used, duplicated or further disclosed or disseminated for any purpose other than that purpose for which it was originally provided, without the prior written consent of Morgan Olson Corp.



GENERAL STANDARDS UNLESS OTHERWISE NOTED:
1. TOLERANCE: .X ± .060 .XX ± .030 .XXX ± .010
ANGLES: X ± .5 DEGREES
2. BREAK ALL EXPOSED SHARP EDGES AND DEBURR.
3. FOR FLAT PATTERNS ALL INSIDE CORNERS MUST BE WITH .188" R.
4. FOR FLAT PATTERNS ALL OUTSIDE CORNERS MAY BE ROUNDED UP TO .188" R TO FACILITATE PRODUCTION.

DRAWN	CHECKED	RELEASE NO.
ALL	-	46230
DATE	DATE	DATE
22OCT15	-	22OCT15
DO NOT SCALE		

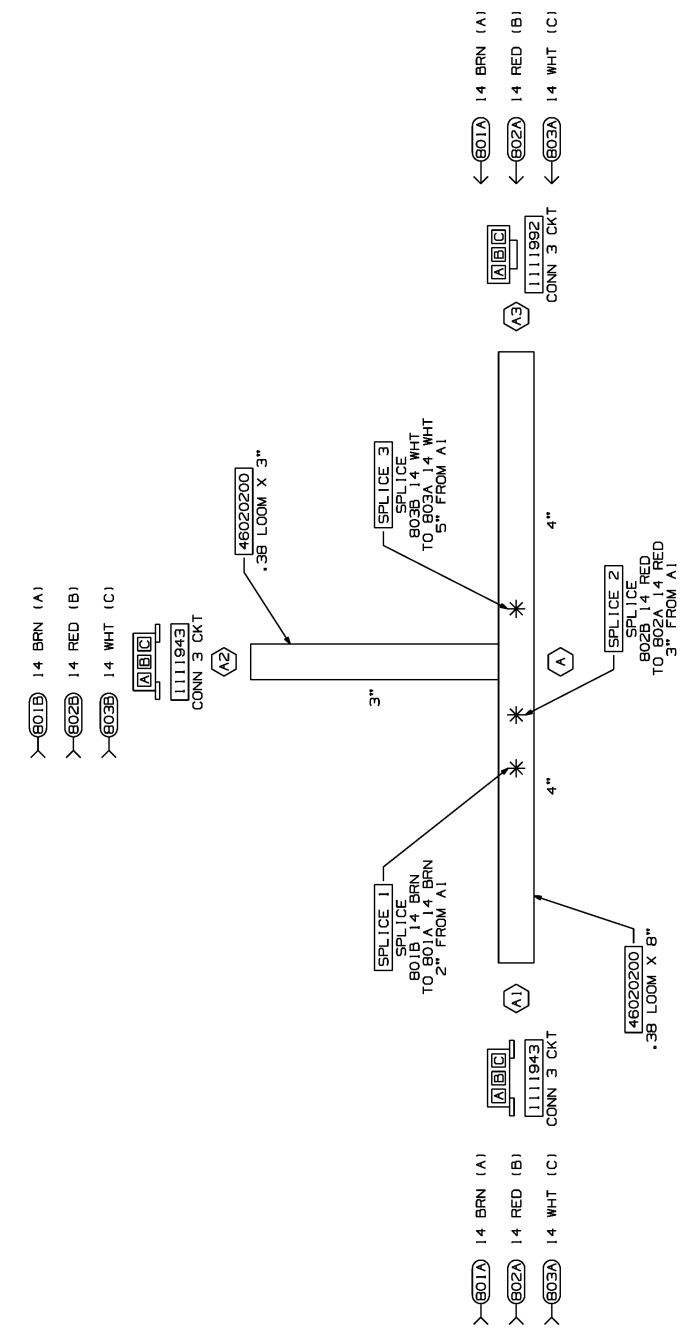
CABLE MONITOR POWER 5"
ZONE DEFENSE #CBL354300

SHT	DRAWING NO.	SCALE
1 of 1	48200165	NONE
REV	REV	REV
		REL

DATE	05/2012	SHEET	1 OF 1	DWG NO	01300C	DWG NAME	ZONE DEFENS
<p>NOTICE This design and all technical information is the property of Zone Defense, LLC. It is not to be copied, reproduced or appropriated by others. This information is for reference purposes only and is subject to change at any time.</p>							

CIRCUIT	DESCRIPTION	END POINTS	FUNCTION
601A	14 BRN 008 1111944 OE 46018504	A1, A3	GENERIC
601B	14 BRN 005 1111944 OE STR .25	A2, SPLICE 1	GENERIC
602A	14 RED 008 1111944 OE 46018504	A1, A3	GENERIC
602B	14 RED 004 1111944 OE STR .25	A2, SPLICE 2	GENERIC
603A	14 WHT 008 1111944 OE 46018504	A1, A3	GENERIC
603B	14 WHT 004 1111944 OE STR .24	A2, SPLICE 3	GENERIC

DRAWING NO.	REV	SHT	LOF
BB117437			
REV.	DESCRIPTION	CHK	DATE
	RELEASE TO PRODUCTION	TMC	



- VENDOR MAY REPLACE PIGTAILS WITH WIRING TO APPROVED MOLDINGS OR CONNECTORS. PIGTAILS SHOWN IN TERMINAL VIEW.
- HARNESSES TO BE TESTED FOR CONTENT, OPENS, SHORTS, AND CONTINUITY.
- CONNECTORS SHOWN FROM WIRE ENTRY SIDE, UNLESS OTHERWISE NOTED.
- SPLICES TO BE AUTOMATED WITH HEAT SHRINK TUBING. HEAT SHRINK BUTT SPLICES ARE ACCEPTABLE FOR FABRICATION IF NECESSARY.
- TAPE (1111098): 6" AT ENDS.
- BREAKOUTS AND 2" AT LOOM ENDS.
- HARNESSES TO HAVE A LABEL WITH PART NUMBER, REVISION LEVEL, AND DATE OF MANUFACTURE.
- SPLIT POLY LOOM UNLESS OTHERWISE NOTED.
- GXL WIRE.

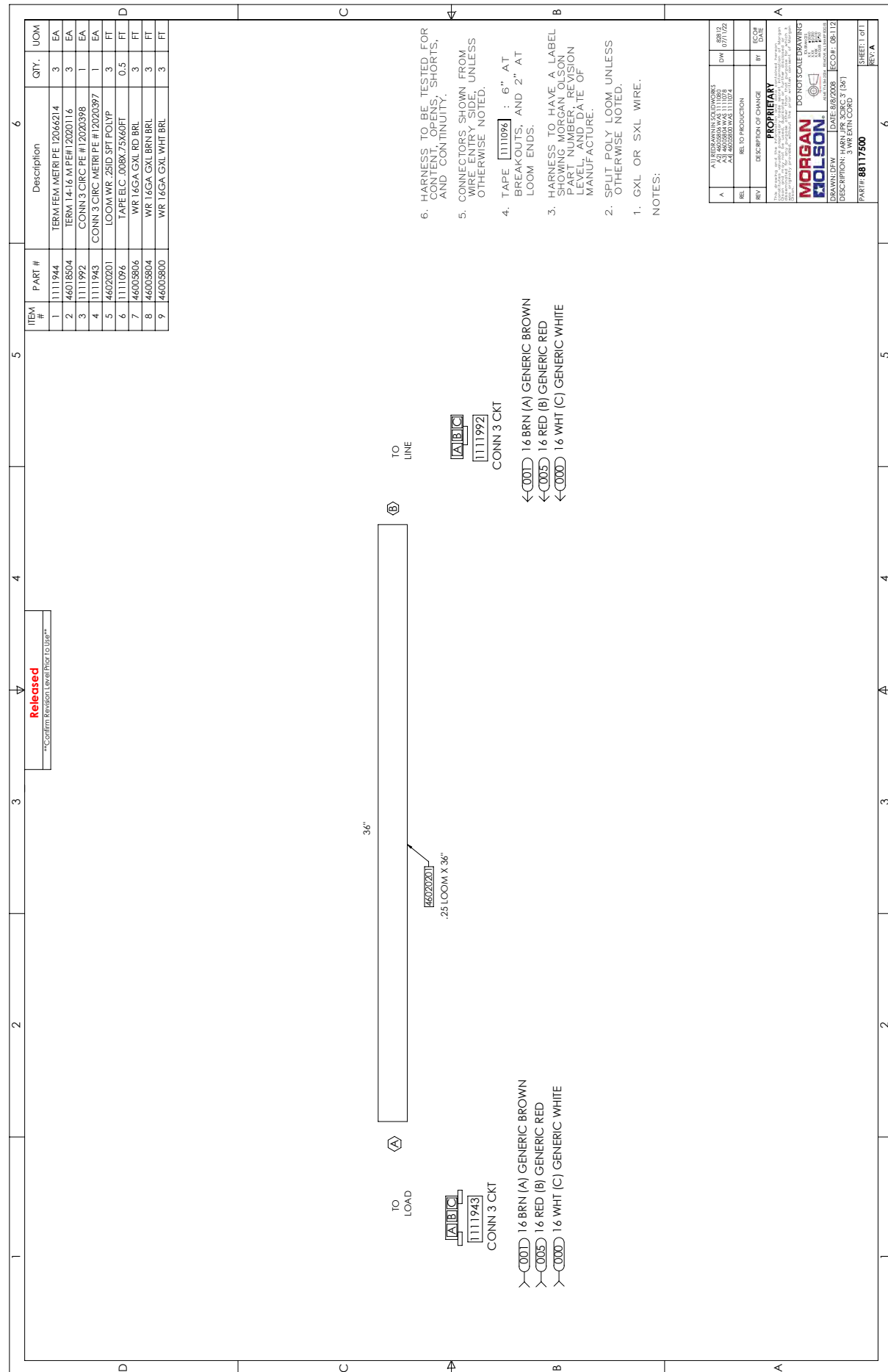
NOTES:

PROPRIETARY
This drawing and the information and data contained hereon constitutes valuable proprietary trade secret information of Morgan Olson Corp. and may not be used, duplicated or further disclosed or disseminated for any purpose other than that purpose for which it was originally provided, without the prior written consent of Morgan Olson Corp.



DRAWING NO.	REV	SHT	LOF
BB117437			
REV	REV	REV	REV
			NONE
			NONE

HARNESSES AND LOOM TOLERANCES
UP TO 60" : -0/+2"
60" TO 100" : -0/+4"
100" TO 200" : -0/+5"
200" TO 400" : -0/+6"
400" TO 600" : -0/+7"
OVER 600" : -0/+8"
BD TO BO : -0/+2"
TOLERANCE IN THE NOT APPLICABLE TO OVERALL HARNESS LENGTH, BREAKOUT TO END, OR LOOM.



CAMERA CABLES
 P/N 48200167 Cable, Camera to Monitor 32'
 P/N 48200171 Cable, Camera to Monitor 15'