

# Canada Post

## 2021 Parts Catalog



Ford E-450 Chassis

2021 Morgan Olson Body



1.800.233.4823  
[WWW.MORGANOLSON.COM](http://WWW.MORGANOLSON.COM)



This parts catalog applies to the following package delivery vehicles;

Chassis Vin#	Unit #	1FC3E3KK4NDC30610	212097	1FC3E3KK5NDC30664	212226	1FC3E3KK4NDC27917	212025	1FC3E3KK1NDC27972	212019	1FC3E3KK9NDC28027	212157
1FC3E3KK3NDC30694	212231	1FC3E3KK6NDC30611	212100	1FC3E3KK7NDC30665	212229	1FC3E3KK6NDC27918	212026	1FC3E3KK3NDC27973	212020	1FC3E3KK0NDC28028	212175
1FC3E3KK2NDC30718	212268	1FC3E3KK8NDC30612	212105	1FC3E3KK9NDC30666	212280	1FC3E3KK8NDC27919	212028	1FC3E3KK5NDC27974	212033	1FC3E3KK2NDC28029	212182
1FC3E3KK4NDC30719	212271	1FC3E3KKXNDC30613	212035	1FC3E3KK0NDC30667	212283	1FC3E3KK4NDC27920	212029	1FC3E3KK7NDC27975	212034	1FC3E3KK9NDC28030	212183
1FC3E3KK0NDC30720	212273	1FC3E3KK1NDC30614	212060	1FC3E3KK2NDC30668	212285	1FC3E3KK6NDC27921	212030	1FC3E3KK9NDC27976	212037	1FC3E3KK0NDC28031	212184
1FC3E3KK2NDC30721	212274	1FC3E3KK3NDC30615	212203	1FC3E3KK4NDC30669	212292	1FC3E3KK8NDC27922	212032	1FC3E3KK0NDC27977	212038	1FC3E3KK2NDC28032	212186
1FC3E3KK4NDC30722	212275	1FC3E3KK5NDC30616	212206	1FC3E3KK0NDC30670	212295	1FC3E3KKXNDC27923	212041	1FC3E3KK2NDC27978	212039	1FC3E3KK4NDC28033	212189
1FC3E3KK6NDC30723	212277	1FC3E3KK7NDC30617	212237	1FC3E3KK2NDC30671	212300	1FC3E3KK1NDC27924	212042	1FC3E3KK4NDC27979	212049	1FC3E3KK6NDC28034	212196
1FC3E3KK8NDC30724	212288	1FC3E3KK9NDC30618	212239	1FC3E3KK4NDC30672	212040	1FC3E3KK3NDC27925	212044	1FC3E3KK0NDC27980	212069	1FC3E3KK8NDC28035	212198
1FC3E3KKXNDC30725	212290	1FC3E3KK0NDC30619	212243	1FC3E3KK6NDC30673	212123	1FC3E3KK5NDC27926	212098	1FC3E3KK2NDC27981	212070	1FC3E3KKXNDC28036	212199
1FC3E3KK1NDC30726	212296	1FC3E3KK7NDC30620	212244	1FC3E3KK8NDC30674	212135	1FC3E3KK7NDC27927	212099	1FC3E3KK4NDC27982	212072	1FC3E3KK1NDC28037	212200
1FC3E3KK9NDC19392	210736	1FC3E3KK9NDC30621	212247	1FC3E3KKXNDC30675	212136	1FC3E3KK9NDC27928	212104	1FC3E3KK6NDC27983	212074	1FC3E3KK3NDC28038	212202
1FC3E3KK9NDC30568	212159	1FC3E3KK0NDC30622	212211	1FC3E3KK1NDC30676	212138	1FC3E3KK0NDC27929	212127	1FC3E3KK8NDC27984	212077	1FC3E3KK5NDC28039	212218
1FC3E3KK0NDC30569	212176	1FC3E3KK2NDC30623	212250	1FC3E3KK3NDC30677	212143	1FC3E3KK7NDC27930	212130	1FC3E3KKXNDC27985	212091	1FC3E3KK1NDC28040	212221
1FC3E3KK7NDC30570	210708	1FC3E3KK4NDC30624	212254	1FC3E3KK5NDC30678	212190	1FC3E3KK9NDC27931	212132	1FC3E3KK1NDC27986	212094	1FC3E3KK3NDC28041	212284
1FC3E3KK9NDC30571	210709	1FC3E3KK6NDC30625	212258	1FC3E3KK7NDC30679	212191	1FC3E3KK0NDC27932	212137	1FC3E3KK3NDC27987	212170	1FC3E3KK5NDC28042	212299
1FC3E3KK0NDC30572	210710	1FC3E3KK8NDC30626	212205	1FC3E3KK3NDC30680	212220	1FC3E3KK2NDC27933	212141	1FC3E3KK5NDC27988	212171	1FC3E3KK7NDC28043	212075
1FC3E3KK2NDC30573	210711	1FC3E3KKXNDC30627	212240	1FC3E3KK5NDC30681	212241	1FC3E3KK4NDC27934	210726	1FC3E3KK7NDC27989	212172	1FC3E3KK9NDC28044	212085
1FC3E3KK4NDC30574	210712	1FC3E3KK1NDC30628	212242	1FC3E3KK7NDC30682	212245	1FC3E3KK6NDC27935	210727	1FC3E3KK3NDC27990	212173	1FC3E3KK0NDC28045	212107
1FC3E3KK6NDC30575	210722	1FC3E3KK3NDC30629	212252	1FC3E3KK9NDC30683	212260	1FC3E3KK8NDC27936	210728	1FC3E3KK5NDC27991	212174	1FC3E3KK2NDC28046	212111
1FC3E3KK8NDC30576	210723	1FC3E3KKXNDC30630	212253	1FC3E3KK0NDC30684	212267	1FC3E3KKXNDC27937	210729	1FC3E3KK7NDC27992	212301	1FC3E3KK4NDC28047	212112
1FC3E3KKXNDC30577	210724	1FC3E3KK1NDC30631	212256	1FC3E3KK2NDC30685	212276	1FC3E3KK1NDC27938	210730	1FC3E3KK9NDC27993	212024	1FC3E3KK6NDC28048	212116
1FC3E3KK1NDC30578	210725	1FC3E3KK3NDC30632	212257	1FC3E3KK4NDC30686	212282	1FC3E3KK3NDC27939	210731	1FC3E3KK0NDC27994	212259	1FC3E3KK8NDC28049	212118
1FC3E3KK3NDC30579	212011	1FC3E3KK5NDC30633	212246	1FC3E3KK6NDC30687	212286	1FC3E3KKXNDC27940	210732	1FC3E3KK2NDC27995	212082	1FC3E3KK4NDC28050	212121
1FC3E3KKXNDC30580	212012	1FC3E3KK7NDC30634	212251	1FC3E3KK8NDC30688	212291	1FC3E3KK1NDC27941	210733	1FC3E3KK4NDC27996	212185	1FC3E3KK6NDC28051	212126
1FC3E3KK1NDC30581	212013	1FC3E3KK9NDC30635	212255	1FC3E3KKXNDC30689	212294	1FC3E3KK3NDC27942	210734	1FC3E3KK6NDC27997	212195	1FC3E3KK8NDC28052	212134
1FC3E3KK3NDC30582	212014	1FC3E3KK0NDC30636	212027	1FC3E3KK6NDC30690	212144	1FC3E3KK5NDC27943	212064	1FC3E3KK8NDC27998	212289	1FC3E3KKXNDC28053	212156
1FC3E3KK5NDC30583	212015	1FC3E3KK2NDC30637	212031	1FC3E3KK8NDC30691	212177	1FC3E3KK7NDC27944	212065	1FC3E3KKXNDC27999	212045	1FC3E3KK1NDC28054	212180
1FC3E3KK7NDC30584	212016	1FC3E3KK4NDC30638	212073	1FC3E3KKXNDC30692	212225	1FC3E3KK9NDC27945	212066	1FC3E3KK0NDC28000	212046	1FC3E3KK3NDC28055	212181
1FC3E3KK9NDC30585	212017	1FC3E3KK6NDC30639	212179	1FC3E3KK1NDC30693	212228	1FC3E3KK0NDC27946	212067	1FC3E3KK2NDC28001	212050	1FC3E3KK5NDC28056	212188
1FC3E3KK0NDC30586	212018	1FC3E3KK2NDC30640	212207	1FC3E3KK5NDC30695	212234	1FC3E3KK4NDC27947	212068	1FC3E3KK4NDC28002	212053	1FC3E3KK7NDC28057	212270
1FC3E3KK2NDC30587	212021	1FC3E3KK4NDC30641	212208	1FC3E3KK7NDC30696	212235	1FC3E3KK6NDC27948	212122	1FC3E3KK6NDC28003	212055	1FC3E3KK9NDC28058	212281
1FC3E3KK4NDC30588	212036	1FC3E3KK6NDC30642	212209	1FC3E3KK9NDC30697	212236	1FC3E3KK8NDC27949	212145	1FC3E3KK8NDC28004	212057	1FC3E3KK0NDC28059	212287
1FC3E3KK6NDC30589	212043	1FC3E3KK8NDC30643	212212	1FC3E3KK0NDC30698	212238	1FC3E3KK2NDC27950	212146	1FC3E3KKXNDC28005	212071	1FC3E3KK7NDC28060	212293
1FC3E3KK2NDC30590	212047	1FC3E3KKXNDC30644	212213	1FC3E3KK2NDC30699	212248	1FC3E3KK4NDC27951	212147	1FC3E3KK1NDC28006	212084	1FC3E3KK9NDC28061	210703
1FC3E3KK4NDC30591	212048	1FC3E3KK1NDC30645	212214	1FC3E3KK5NDC30700	212279	1FC3E3KK6NDC27952	212148	1FC3E3KK3NDC28007	212086	1FC3E3KK0NDC28062	210704
1FC3E3KK6NDC30592	212052	1FC3E3KK3NDC30646	212215	1FC3E3KK7NDC30701	212261	1FC3E3KK8NDC27953	212149	1FC3E3KK5NDC28008	212087	1FC3E3KK2NDC28063	210705
1FC3E3KK8NDC30593	212054	1FC3E3KK5NDC30647	212124	1FC3E3KK9NDC30702	212262	1FC3E3KKXNDC27954	212150	1FC3E3KK7NDC28009	212093	1FC3E3KK4NDC28064	210706
1FC3E3KKXNDC30594	212056	1FC3E3KK7NDC30648	212217	1FC3E3KK0NDC30703	212264	1FC3E3KK1NDC27955	212151	1FC3E3KK9NDC28010	212102	1FC3E3KK6NDC28065	210707
1FC3E3KK1NDC30595	212058	1FC3E3KK9NDC30649	212219	1FC3E3KK2NDC30704	212269	1FC3E3KK3NDC27956	212152	1FC3E3KK3NDC28011	212103	1FC3E3KK8NDC28066	210713
1FC3E3KK3NDC30596	212059	1FC3E3KK5NDC30650	212223	1FC3E3KK4NDC30705	212272	1FC3E3KK5NDC27957	212153	1FC3E3KK7NDC28012	212106	1FC3E3KKXNDC28067	210714
1FC3E3KK5NDC30597	212061	1FC3E3KK7NDC30651	212227	1FC3E3KK6NDC30706	212278	1FC3E3KK7NDC27958	212154	1FC3E3KK9NDC28013	212108	1FC3E3KK1NDC28068	210715
1FC3E3KK7NDC30598	212076	1FC3E3KK9NDC30652	212230	1FC3E3KK8NDC30707	212298	1FC3E3KK9NDC27959	212155	1FC3E3KK0NDC28014	212109	1FC3E3KK3NDC28069	210716
1FC3E3KK9NDC30599	212078	1FC3E3KK0NDC30653	212233	1FC3E3KKXNDC30708	212101	1FC3E3KK5NDC27960	212158	1FC3E3KK2NDC28015	212110	1FC3E3KKXNDC28070	210717
1FC3E3KK1NDC30600	212079	1FC3E3KK2NDC30654	212249	1FC3E3KK1NDC30709	212192	1FC3E3KK7NDC27961	212160	1FC3E3KK4NDC28016	212113	1FC3E3KK1NDC28071	210718
1FC3E3KK3NDC30601	212080	1FC3E3KK4NDC30655	212142	1FC3E3KK8NDC30710	212193	1FC3E3KK9NDC27962	212161	1FC3E3KK6NDC28017	212114	1FC3E3KK3NDC28072	210719
1FC3E3KK5NDC30602	212081	1FC3E3KK6NDC30656	212178	1FC3E3KKXNDC30711	212197	1FC3E3KK0NDC27963	212162	1FC3E3KK8NDC28018	212115	1FC3E3KK5NDC28073	210720
1FC3E3KK7NDC30603	212083	1FC3E3KK8NDC30657	212187	1FC3E3KK1NDC30712	212201	1FC3E3KK2NDC27964	212163	1FC3E3KKXNDC28019	212117	1FC3E3KK7NDC28074	210721
1FC3E3KK9NDC30604	212088	1FC3E3KKXNDC30658	212194	1FC3E3KK3NDC30713	212297	1FC3E3KK4NDC27965	212164	1FC3E3KK6NDC28020	212119	1FC3E3KK3NDC22269	212139
1FC3E3KK0NDC30605	212089	1FC3E3KK1NDC30659	212204	1FC3E3KK5NDC30714	212232	1FC3E3KK6NDC27966	212165	1FC3E3KK8NDC28021	212120	1FC3E3KKXNDC22270	212140
1FC3E3KK2NDC30606	212090	1FC3E3KK8NDC30660	212210	1FC3E3KK7NDC30715	212263	1FC3E3KK8NDC27967	212166	1FC3E3KKXNDC28022	212125	1FC3E3KK1NDC22271	210735
1FC3E3KK4NDC30607	212092	1FC3E3KKXNDC30661	212216	1FC3E3KK9NDC30716	212265	1FC3E3KKXNDC27968	212167	1FC3E3KK1NDC28023	212128	1FC3E3KK3NDC22272	212051
1FC3E3KK6NDC30608	212095	1FC3E3KK1NDC30662	212222	1FC3E3KK0NDC30717	212266	1FC3E3KK1NDC27969	212168	1FC3E3KK3NDC28024	212129	1FC3E3KK5NDC22273	212062
1FC3E3KK8NDC30609	212096	1FC3E3KK3NDC30663	212224	1FC3E3KK0NDC27915	212022	1FC3E3KK8NDC27970	212169	1FC3E3KK5NDC28025	212131	1FC3E3KK7NDC22274	212063
				1FC3E3KK2NDC27916	212023	1FC3E3KKXNDC27971	210737	1FC3E3KK7NDC28026	212133		

TABLE OF CONTENTS	4
INTRODUCTION - PARTS ORDERING	5
CAB - ENGINE BOX - WINDSHIELD	6-7
STEPS - WIPER COVER - CAB INSULATION	8-9
HEATER - DEFROSTER	10-11
HOOD	12-13
INSTRUMENT PANEL & SEATS	14-15
FLOOR	16-17
SIDES	18-19
ROOF - BACK	20-21
SIDE DOOR - SIDE DOOR POCKET	22-23
BULKHEAD	24-25
ROLL UP DOOR - 47005932	26-31
SHELVING	32-33
BUMPERS - KEYLESS SYSTEMS	34-35
MIRRORS & WIPER ASSEMBLY	36-37
MISCELLANEOUS	38-39
ELECTRICAL	40-41
WALK-IN VAN COMMON FASTENERS	42-46
WIRING HARNESS	47
WIRING DIAGRAMS	48-87

This parts guide contains illustrations and part numbers for Canada Post Package Delivery Vehicles and applies to bill of material # JV003603 produced in 2021.

## How to order Morgan Olson parts from our Canadian Parts Distributor

The first step is to locate the part numbers you would like to order.

### Method 1 (Recommended)

Go to our parts web site, [WWW.MORGANOLSONPARTS.COM](http://WWW.MORGANOLSONPARTS.COM) and search your vehicle VIN number to get a list of parts generated directly from your vehicles Bill of Material.

You can filter the list of items further by selecting the category for the location of the parts. IE. Bumper, Hood, Glass, Rear Door, etc.

You may change the search drop down menu to search by part number, description, unit number or VMRS number.

### Method 2

Use this parts catalog to identify your part numbers.

### Method 3

Call our Canadian Parts Distributor, Jim Keay Ford

Primary Contact Ben 1-613-841-4021

Secondary Contact Chris 1-613-841-4021

Please have your VIN number available and Ben, the parts specialist will be able to help you identify the parts you need.

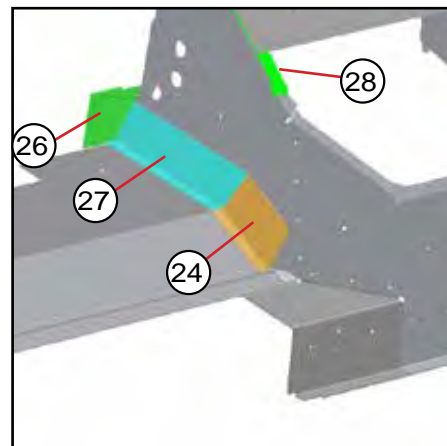
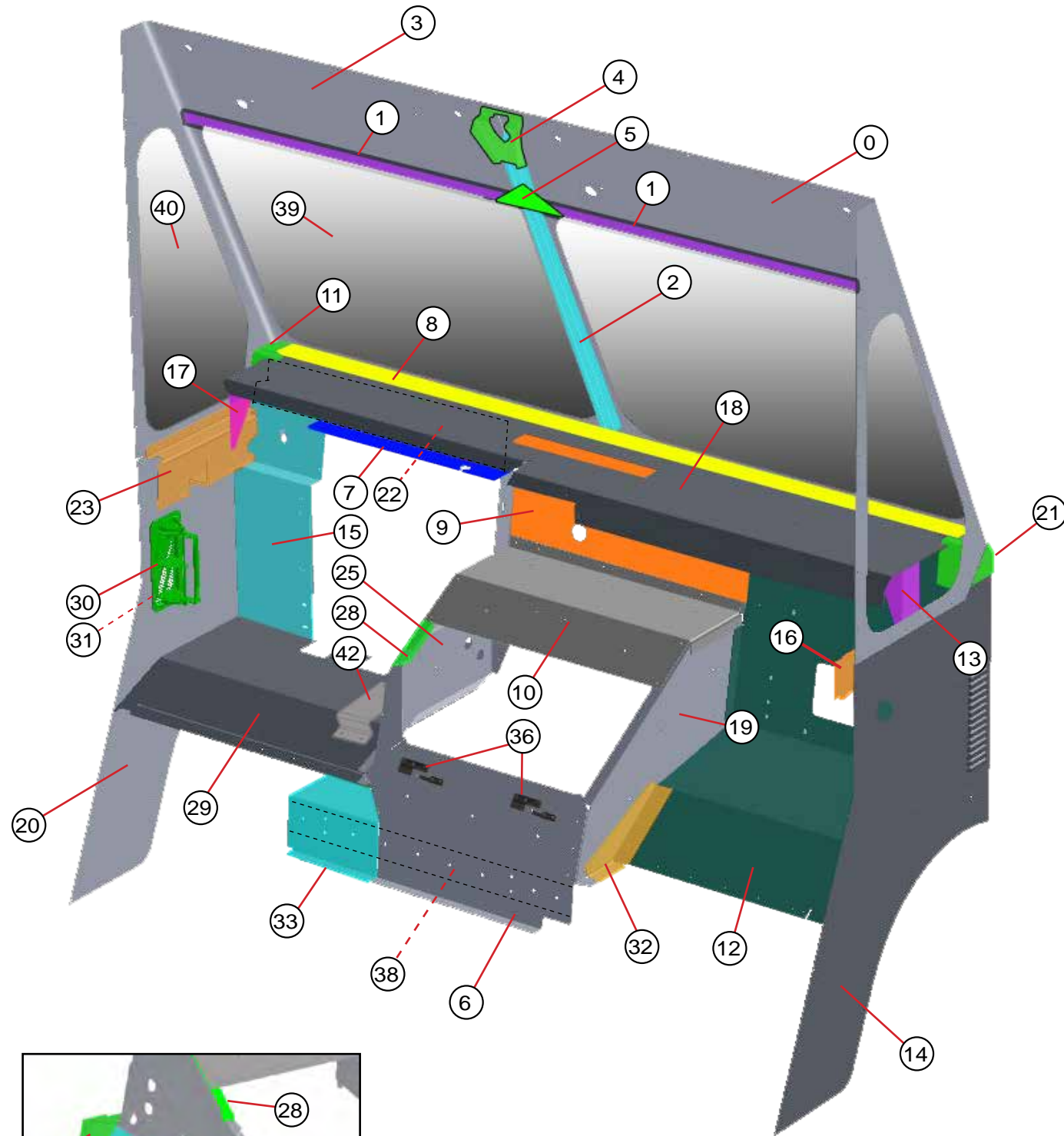
Helpful tip: On the parts website, you can create a saved list of items or just add the items to the shopping cart, then use the **shared list** feature to email your list to Jim Keay Ford. They will respond with pricing and availability information [morganolsonparts@jimkeayford.com](mailto:morganolsonparts@jimkeayford.com)

FOR WARRANTY INFORMATION CALL 1-800-262-3437

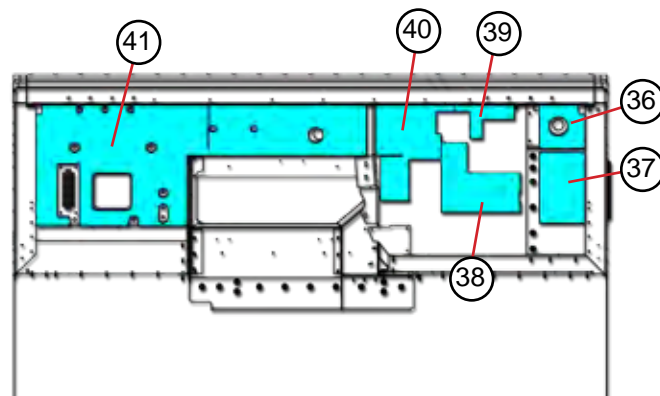
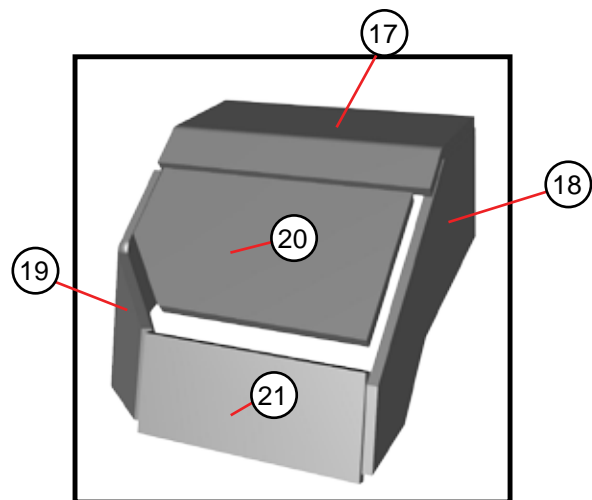
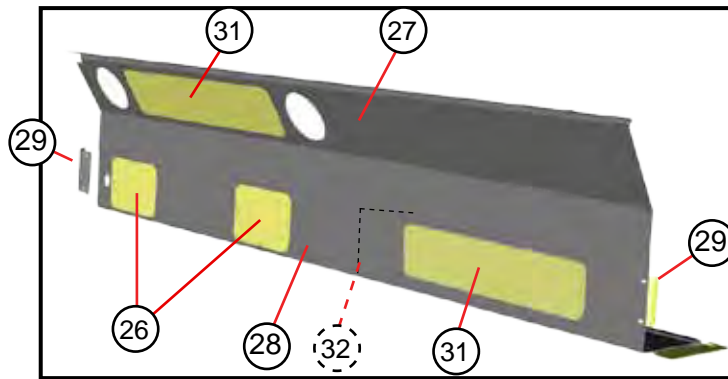
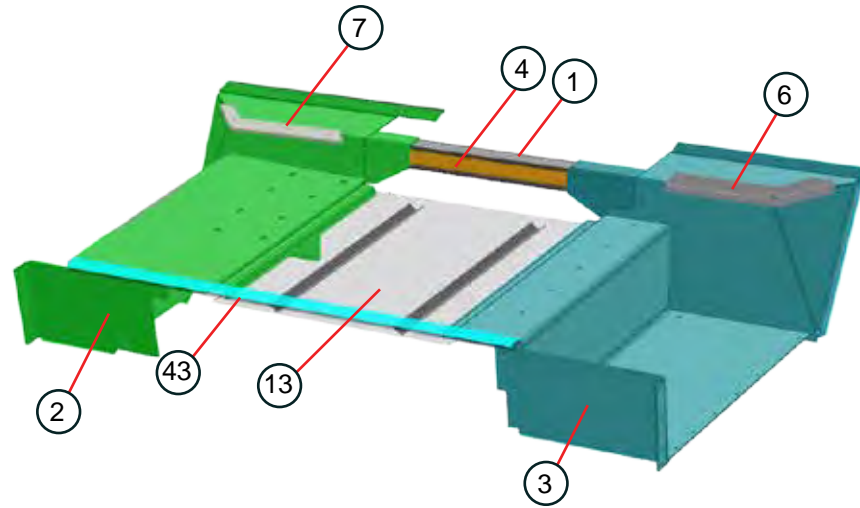
ANY QUESTIONS OR CONCERNS SHOULD BE DIRECTED TO YOUR SERVICE PARTS REPRESENTATIVE AT 1-800-233-4823

At Morgan Olson, our quest for quality and safety is ongoing and therefore the specifications on the product described herein may vary over time.

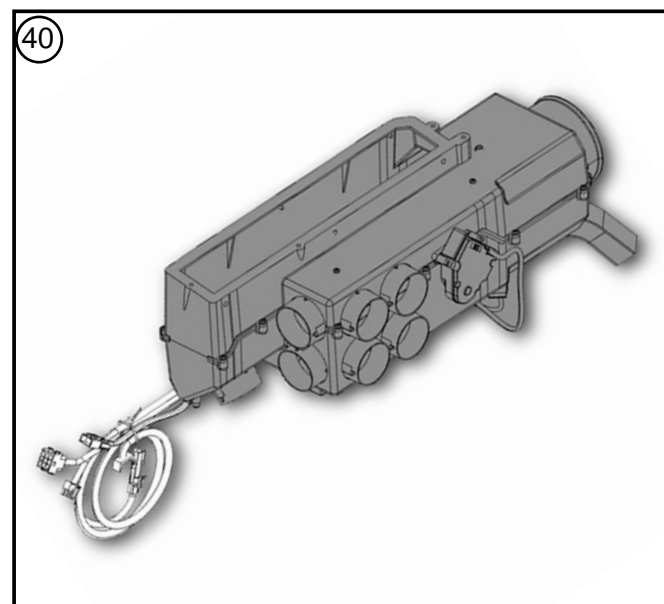
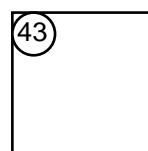
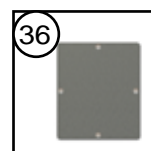
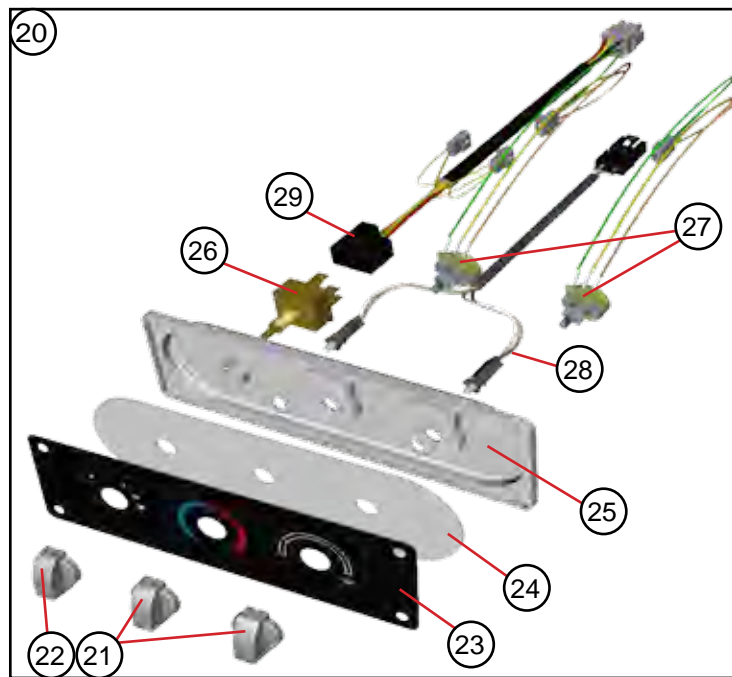
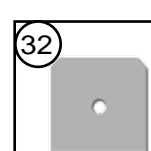
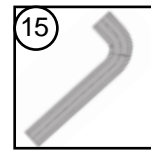
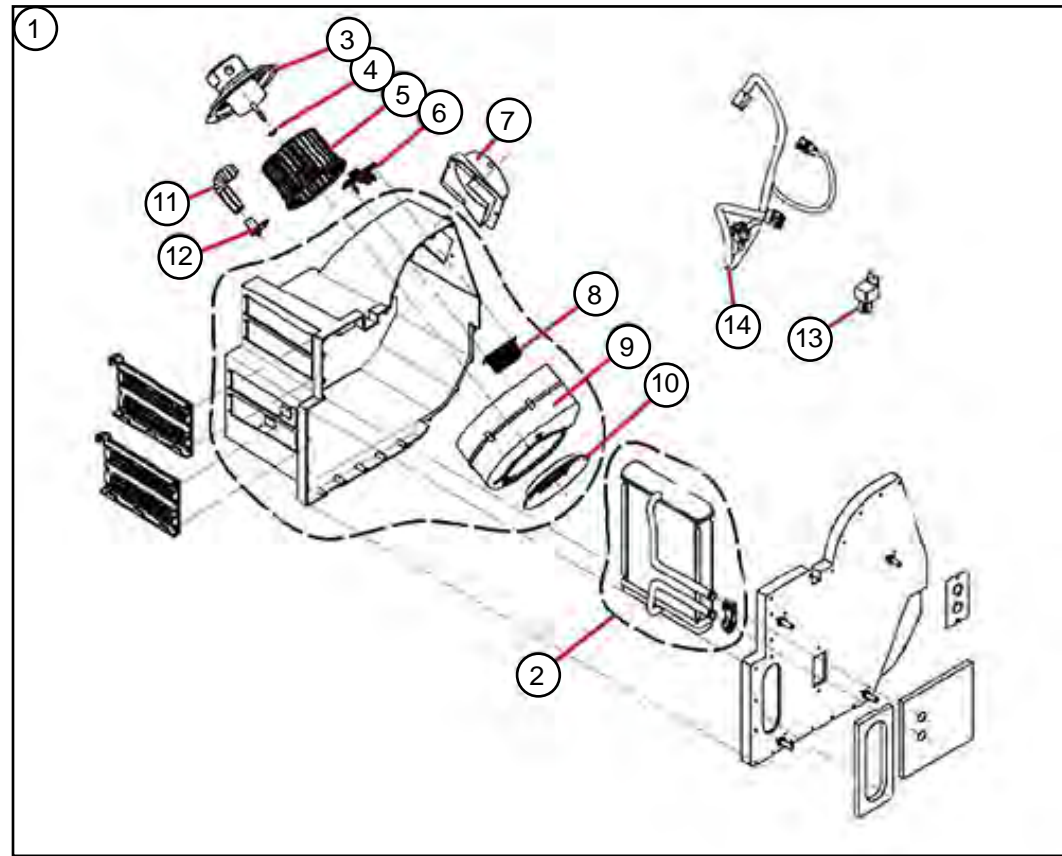
Please contact Morgan Olson for the latest product information and available safety features and options.



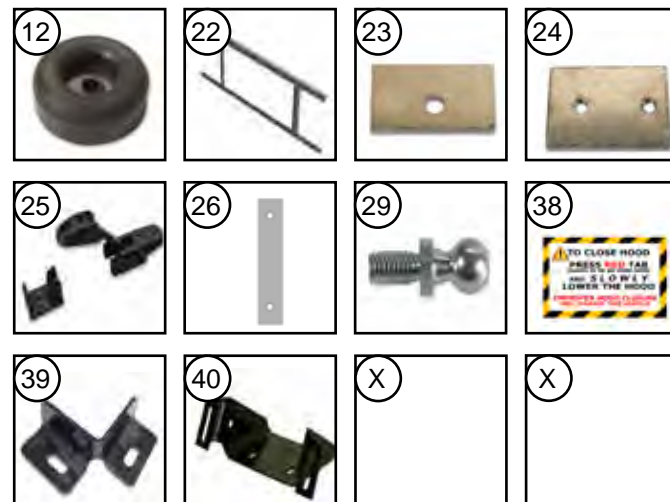
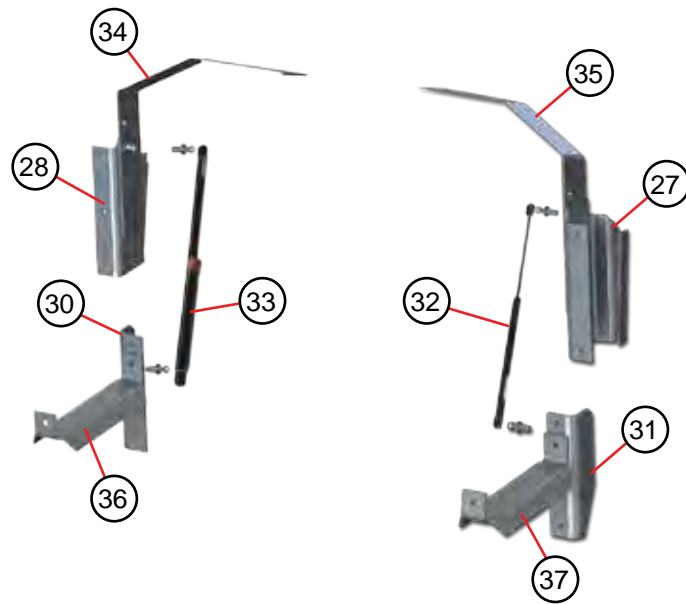
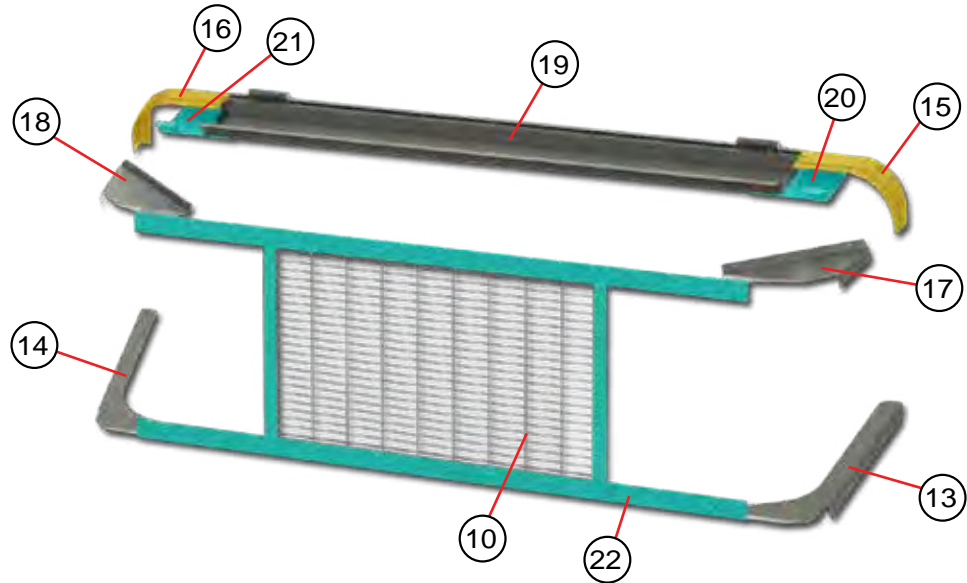
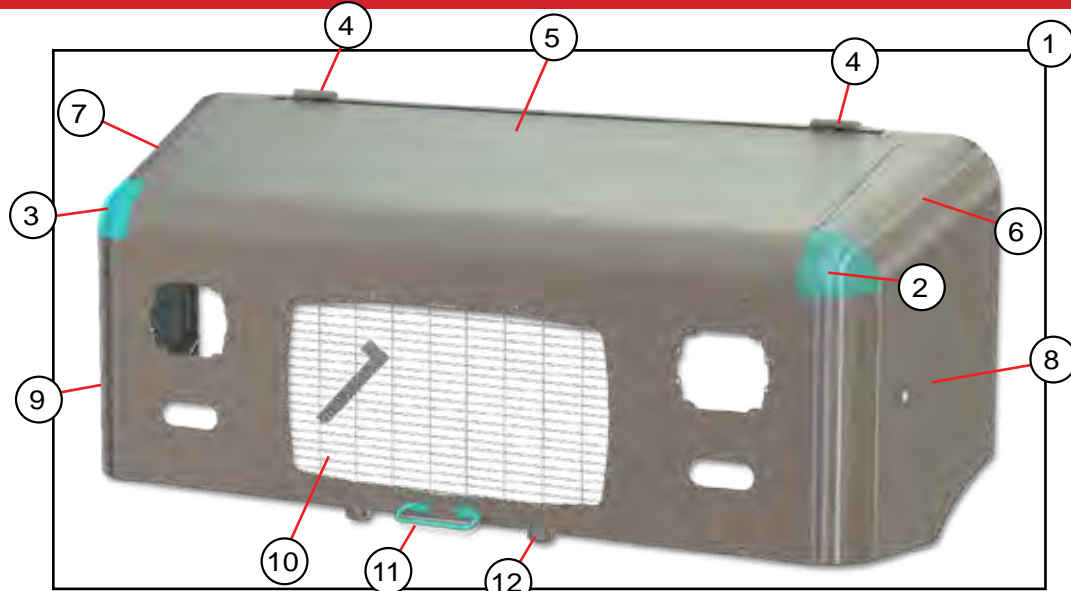
ITEM	PART #	DESCRIPTION	QTY.	UNIT
0	<a href="#">088055402</a>	FRAME W/S AL .102X49.72X70.07 RH	1	EA
1	<a href="#">077055404</a>	STIFFENER W/S AL 450540X44.25	2	EA
2	<a href="#">077055400</a>	POST W/S CENTER AL 450540X40	1	EA
3	<a href="#">088055401</a>	FRAME W/S AL .102X49.72X69.77 LH	1	EA
4	<a href="#">077055402</a>	GUSSET FRAME W/S AL .125X6.49X7.27	1	EA
5	<a href="#">998555329</a>	GUSSET FRAME W/S AL .125X4.6X9.19	1	EA
6	<a href="#">155005411</a>	ENGINE BOX SADDLE AL .102X15.61X23.8	1	EA
7	<a href="#">155005409</a>	DASH WALL UPPER AL .125X4.57X23.75 LH	1	EA
8	<a href="#">083023402</a>	RAIL W/S 93W AL 851100X89	1	EA
9	<a href="#">165005410</a>	DASH WALL CENTER AL .102X14.85X31.69	1	EA
10	<a href="#">095005437</a>	ENGINE BOX TOP AL .102X15.68X30.51	1	EA
11	<a href="#">8502000</a>	CORNER AL CAST W/S LH	1	EA
12	<a href="#">165005412</a>	TOEBOARD AL .102X32.88X47.75 RH	1	EA
13	<a href="#">177005412</a>	SUPPORT RAIL W/S AL.102X5.74X8.27 RH	1	EA
14	<a href="#">165005411</a>	CAB SKIRT AL .07X40.6X44.91 RH	1	EA
15	<a href="#">095005435</a>	DASH WALL OUTER AL .102X13.64X28.36	1	EA
16	<a href="#">157005402</a>	STIFFENER W/S AL .125X12.07X17.69 RH	1	EA
17	<a href="#">177005411</a>	SUPPORT RAIL W/S AL .102X8.26X9.65 LH	1	EA
18	<a href="#">125027406</a>	SHELF DASH AL .102X13.74X89	1	EA
19	<a href="#">155005418</a>	ENGINE BOX PANEL AL .125X21.52X29.91 RH	1	EA
20	<a href="#">095005444</a>	CAB SKIRT AL .07X40.60X45.91 LH	1	EA
21	<a href="#">8502001</a>	CORNER AL CAST W/S RH	1	EA
22	<a href="#">095005431</a>	DASH WALL UPPER AL .102X7.36X36.26 LH	1	EA
23	<a href="#">083005521</a>	STIFFENER W/S AL .125X10.93X17.81 LH	1	EA
24	<a href="#">155005419</a>	ENGINE BOX ADAPTOR AL .102X4.72X9.82	1	EA
25	<a href="#">155005412</a>	ENGINE BOX PANEL AL .102X19.94X32.53 LH	1	EA
26	<a href="#">115005452</a>	CLOSURE CAB AL .07X4.67X6.6	1	EA
27	<a href="#">115005450</a>	ADAPTOR ENGINE BOX AL .102X4.36X13.39	1	EA
28	<a href="#">205005408</a>	ENGINE BOX PANEL AL .102X2.59X11.82 LH	1	EA
29	<a href="#">115005453</a>	TOEBOARD AL .125X21.01X36.54 LH	1	EA
30	<a href="#">47008545</a>	VENT AL 2WAY HINGELESS (VENT GUARD <a href="#">003711425</a> )	1	EA
31	<a href="#">47008548</a>	GASKET FOR SALEM VENT #47008545	1	EA
32	<a href="#">077050406</a>	GUSSET TOEBOARD AL .125X5.33X14.88 RH	1	EA
33	<a href="#">155005416</a>	ENGINE BOX SADDLE FILLER AL .102X12.8X13.78	1	EA
34	<a href="#">47006630</a>	CLIP PLASTIC ROUND HEAD 1.32-1.34	17	EA
35	<a href="#">105028400</a>	LID ENGINE BOX AL .102X18.58X32.44	1	EA
36	<a href="#">47007859</a>	HINGE OFFSET	2	EA
37	<a href="#">1113336</a>	LATCH ENGINE BOX	2	EA
38	<a href="#">117028400</a>	SHIM ENGINE BOX	1	EA
39	<a href="#">96756400</a>	GLASS WINDSHIELD	2	EA
40	<a href="#">083056401</a>	GLASS SIDE TRIANGLE	2	EA
41	<a href="#">44004303</a>	WINDOW STRIP X147.5	2	EA
41	<a href="#">44004305</a>	WINDOW STRIP X85.5	2	EA
42	<a href="#">155005420</a>	HEEL REST ALD .125X11.17X11.83	1	EA



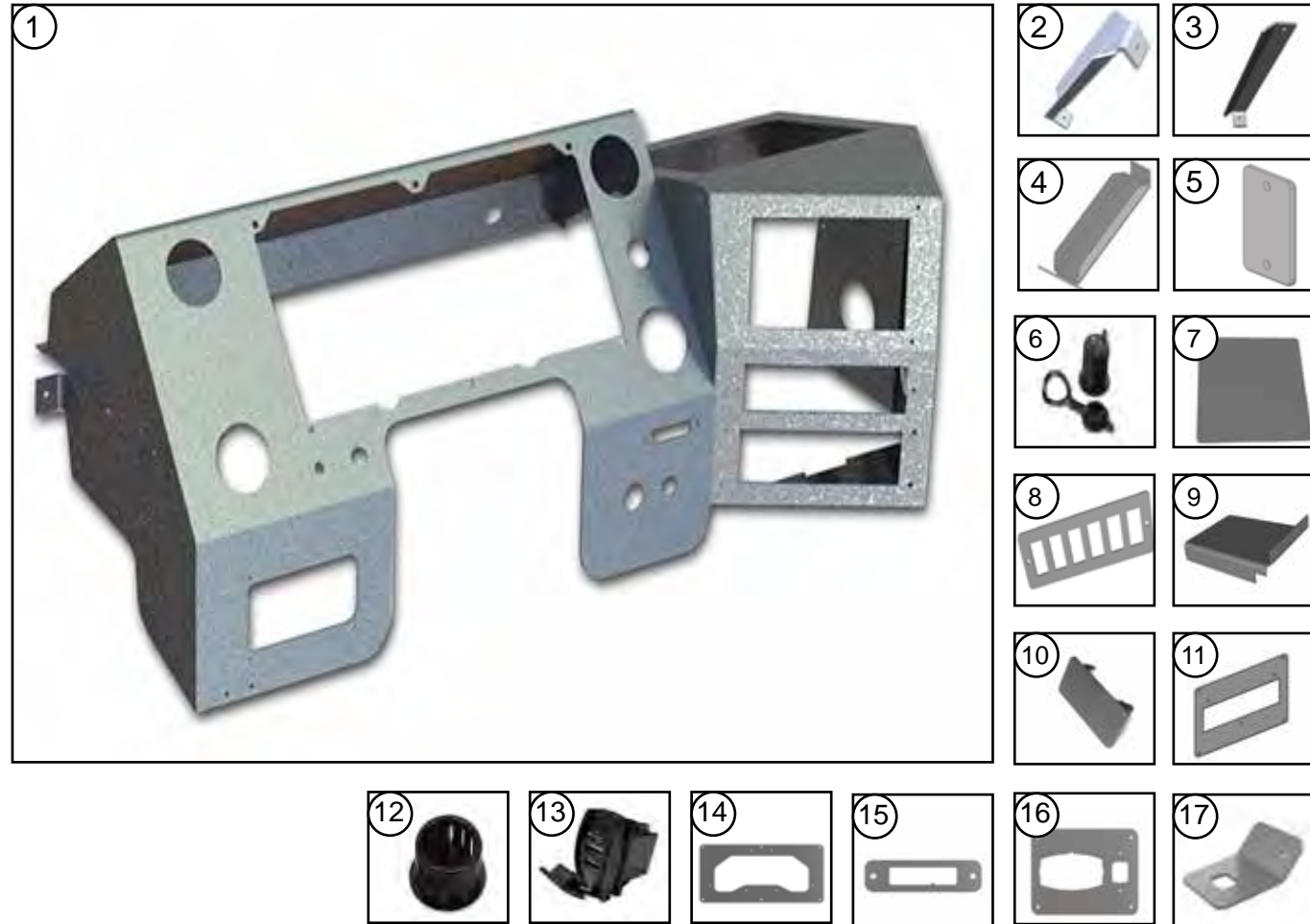
ITEM #	PART #	DESCRIPTION	QTY.	UNIT
1	<a href="#">077240400</a>	CROSSMEMBER CENTER AL 456106X41	1	EA
2	<a href="#">105024207</a>	STEP ASSEMBLY WELDMENT ROADSIDE 93W F59	1	EA
3	<a href="#">095024242</a>	STEP ASSEMBLY WELDMENT CURBSIDE 93W F59	1	EA
4	<a href="#">077050402</a>	SHIM AL .25X1.62X20.8	1	EA
5	<a href="#">1107235</a>	PAD RUBBER RIBBED .125 X 30'	6	FT
6	<a href="#">095019437</a>	TRIM TOEBOARD ALD .08X7.54X23.87 RH	1	EA
7	<a href="#">175019403</a>	TRIM TOEBOARD ALD .08X2.77X31.31 LH	1	EA
10	<a href="#">41002103</a>	SEALANT ADHESIVE	2	EA
11	<a href="#">47009547</a>	SAFETY KIT 3 TRIANGLES IN STORAGE BOX	1	EA
12	<a href="#">47009548</a>	BRACKET MOUNTING TRIANGLE KIT	1	EA
13	<a href="#">095024260</a>	TRANSVERSE FLOOR PLATE WELDMENT	1	EA
14	<a href="#">40900080</a>	STUD	7	EA
15	<a href="#">40900081</a>	GROMMET HALF	7	EA
16	<a href="#">40900082</a>	SPRING	7	EA
17	<a href="#">195005413</a>	INSULATION E/BX TOP 1X12.18X28.34	1	EA
18	<a href="#">195005412</a>	INSULATION E/BX SIDE 1X17.56X27.46 RH	1	EA
19	<a href="#">195005414</a>	INSULATION E/BX SIDE 1X17.44X27.32 LH	1	EA
20	<a href="#">195005415</a>	INSULATION E/BX LID 1X12X25	1	EA
21	<a href="#">195005416</a>	INSULATION E/BX SADDLE 1X7X21.5	1	EA
22	<a href="#">47006630</a>	CLIP PLASTIC ROUND HEAD	17	EA
23	<a href="#">47009600</a>	CARPET GRAY ENGINE BOX LID	3	FT
26	<a href="#">088076431</a>	PLATE COVER WPR MTR AL .102X5X12	2	EA
27	<a href="#">088076431</a>	COVER MOTOR WPR AL .102X10.85X87.25	1	EA
28	<a href="#">165076402</a>	SHELF COVER AL .102X16.9X90.31	1	EA
29	<a href="#">088076449</a>	BRACKET MOUNTING AL .102X2.36X3.9 LH	3	EA
31	<a href="#">097076435</a>	PLATE COVER ACC AL .070X6X28.38	2	EA
32	<a href="#">088076451</a>	DIVIDER SHELF AL .102X9.01X9.46	1	EA
33	<a href="#">45200051</a>	TRASH RECEPTICLE	1	EA
34	<a href="#">05M078011</a>	SUPPORT TRACH RECEPTICLE AL .125X17.74X25.15	1	EA
35	<a href="#">1129005</a>	TRIM QUICK EDGE	7	FT
36	<a href="#">155116402</a>	ACOUSTICAL COWL INSULATION	1	EA
37	<a href="#">155116403</a>	ACOUSTICAL COWL INSULATION	1	EA
38	155116405	ACOUSTICAL COWL INSULATION	1	EA
39	155116406	ACOUSTICAL COWL INSULATION	1	EA
40	155116407	ACOUSTICAL COWL INSULATION	1	EA
41	215116401	INSULATION DASH WALL	1	EA
43	<a href="#">148019403</a>	TRIM @ O-LINE	1	EA



ITEM #	PART #	DESCRIPTION	QTY	UNIT
1	<a href="#">555001018</a>	HEATER ASSEMBLY	1	EA
2	<a href="#">47008797</a>	HEATER COIL W/GASKET	1	EA
3	<a href="#">46032339</a>	BLOWER MOTOR	1	EA
4	<a href="#">47008799</a>	CLIP	1	EA
5	<a href="#">47008769</a>	BLOWER WHEEL	1	EA
6	<a href="#">47008357</a>	RESISTER	1	EA
7	<a href="#">47008800</a>	HOSE ADAPTER	1	EA
8	<a href="#">47008795</a>	RESISTER CAGE	1	EA
9	<a href="#">47008794</a>	BLOWER HOUSING	1	EA
10	<a href="#">47008796</a>	VENTURI RING	1	EA
11	<a href="#">47008730</a>	VENT TUBE	1	EA
12	<a href="#">47008731</a>	VENT TUBE ADAPTER	1	EA
13	<a href="#">47008716</a>	RELAY	1	EA
14	<a href="#">47008758</a>	HARNES	1	EA
15	<a href="#">47008580</a>	FORMED HEATER HOSE	2	EA
16	<a href="#">555002053</a>	VALVE WATER	1	EA
17	205080401	PLATE MOUNTING FOOT DUMP	1	EA
18	<a href="#">47008705</a>	ACTUATOR MOTOR	1	EA
20	<a href="#">555001413</a>	CONTROL PANEL ASSEMBLY	1	EA
21	<a href="#">47008706</a>	KNOB	2	EA
22	<a href="#">47008735</a>	KNOB	1	EA
23	<a href="#">47008707</a>	DECAL	1	EA
24	<a href="#">47008708</a>	LIGHT PANEL	1	EA
25	<a href="#">47008709</a>	CONTROL SUB PANEL	1	EA
26	<a href="#">46023202</a>	BLOWER SWITCH	1	EA
27	<a href="#">47008710</a>	POTENTIOMETER SWITCH	2	EA
28	<a href="#">47008711</a>	HARNES ILLUMINATION W/BULBS	1	EA
29	<a href="#">47008712</a>	HARNES BLOWER MOTOR SWITCH	1	EA
30	<a href="#">555001723</a>	DEFROST DUCT CURBSIDE METAL	1	EA
31	<a href="#">555001724</a>	DEFROST DUCT ROADSIDE METAL	1	EA
32	<a href="#">093080400</a>	HOLD DOWN PLATE DEFROSTER DUCTS	4	EA
33	<a href="#">555001524</a>	HOSE DEFROSTER 2.5X30	1	EA
34	<a href="#">555001525</a>	HOSE DEFROSTER 2.5X38 (2X DEFROSTER / 1XFOOT DUMP)	3	EA
35	217005434	BRACKET FRESH AIR INTAKE	1	EA
36	217005437	COVER PLATE - AIR INTAKE	1	EA
37	<a href="#">555001715</a>	LOUVER BALL	6	EA
38	555001533	HOSE BLOWER HEATER / DEFROSTER 5" X 7.5"	1	EA
39	<a href="#">002080400</a>	BRACKET MOUNTING WATER VALVE AL .102X3X11.67	1	EA
40	555001330	PLENUM DUCT HVAC	1	EA
41	<a href="#">555001523</a>	HOSE DEFROSTER 2.5X16	1	EA
42	<a href="#">47008017</a>	CONNECTOR STRAIGHT .62ID BLACK NYLON	2	EA
43			1	EA



ITEM #	PART #	DESCRIPTION	QTY.	UNIT
1	<a href="#">167017200</a>	HOOD ASSEMBLY AL TILT 93W FORD E350/450	1	EA
2	<a href="#">45100057</a>	CORNER CASTING KNEE COWL FRONT LH	1	EA
3	<a href="#">45100058</a>	CORNER CASTING KNEE COWL FRONT RH	1	EA
4	<a href="#">47007852</a>	HINGE COMPLETE ASSEMBLY	2	EA
5	<a href="#">167017400</a>	PANEL HOOD 93W AL .07X48.92X74	1	EA
6	<a href="#">167017425</a>	COWL HOOD AL .07X15.22X17.47 LH	1	EA
7	<a href="#">167017426</a>	COWL HOOD AL .07X15.22X17.47 RH	1	EA
8	<a href="#">167017427</a>	HOOD SKIRT AL .07X27.9X29.9	1	EA
9	<a href="#">167017428</a>	HOOD SKIRT AL .07X27.9X29.9	1	EA
10	<a href="#">45700101</a>	GRILLE WIRE MESH 20.5X38.81	1	EA
11	<a href="#">90187300</a>	GRAB HANDLE .5DIAX15.7	1	EA
12	<a href="#">44002004</a>	BUMPER RUBBER HOOD SUPPORT	2	EA
13	<a href="#">167017433</a>	STIFFENER HOOD AL .102X15.93X22.83 LH	1	EA
14	<a href="#">167017434</a>	STIFFENER HOOD AL .102X15.93X22.83 RH	1	EA
15	<a href="#">45100060</a>	CAP AL COWL END AFT LH	1	EA
16	<a href="#">45100061</a>	CAP AL COWL END AFT RH	1	EA
17	<a href="#">167017402</a>	GUSSET CORNER AL .07X13.43X14.73 LH	1	EA
18	<a href="#">167017403</a>	GUSSET CORNER AL .07X13.43X14.73 RH	1	EA
19	<a href="#">167017413</a>	STIFFENER HOOD AL 450015X68.62	1	EA
20	<a href="#">167017431</a>	STIFFENER HOOD ANGLE AL .102X10.98X12 LH	1	EA
21	<a href="#">167017432</a>	STIFFENER HOOD ANGLE AL .102X10.98X12 RH	1	EA
22	217017201	GRILL SUPPORT ASSEMBLY WELDMENT HD 93W E350/450	1	EA
23	<a href="#">167017412</a>	SHIM AL .125X.62X1.88	2	EA
24	<a href="#">167017411</a>	TAP PLATE HOOD HINGE AL .188X2X2.69	1	EA
25	<a href="#">47000613</a>	LATCH HOOD	2	EA
26	<a href="#">083016400</a>	SHIM AL .102X1X5.5	2	EA
27	<a href="#">077160401</a>	BRACKET HOOD AL .125X6.76X7.75 RH	1	EA
28	<a href="#">077160400</a>	BRACKET HOOD AL .125X6.76X7.75 LH	1	EA
29	<a href="#">47006086</a>	BALL STUD .31-18	4	EA
30	<a href="#">077160406</a>	BRACKET LOWER HOOD AL .188X2.84X6.34	1	EA
31	<a href="#">077160405</a>	BRACKET LOWER HOOD AL .188X2.84X6.34	1	EA
32	<a href="#">47006106</a>	SPRING GAS NON-LOCKING 110LB 20/12	1	EA
33	<a href="#">47006105</a>	SPRING GAS LOCKING 110LB 20/12	1	EA
34	<a href="#">095016401</a>	BRACKET GAS SPRING AL .125X6.41X16.41	1	EA
35	<a href="#">095016402</a>	BRACKET GAS SPRING AL .125X6.41X16.41	1	EA
36	<a href="#">095016403</a>	CAB SKIRT SUPPORT AL .125X3.38X11.18	1	EA
37	<a href="#">095016404</a>	CAB SKIRT SUPPORT AL .125X3.38X10.74	1	EA
38	<a href="#">43000903</a>	HOOD PROPER INSTRUCTION LABEL	1	EA
39	<a href="#">96713300</a>	ANGLE HOOD REST	2	EA
40	<a href="#">077150400</a>	SUPPORT HOOD STEEL 11GAX5.53X9.62	2	EA

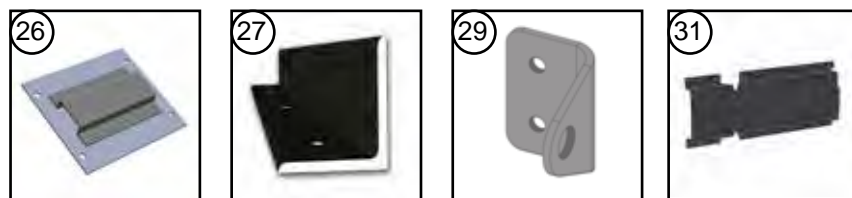
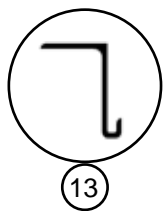
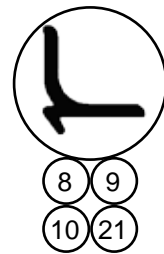
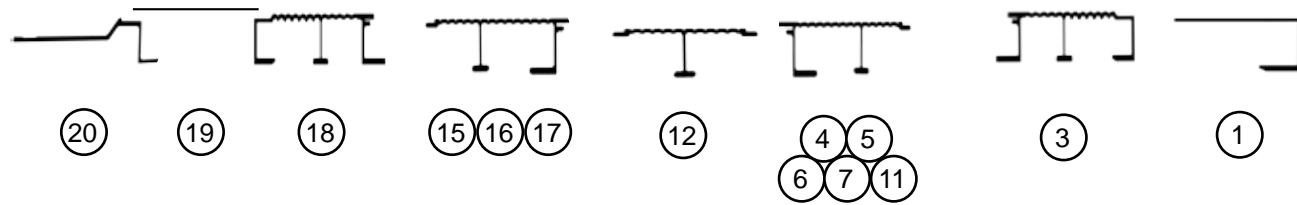
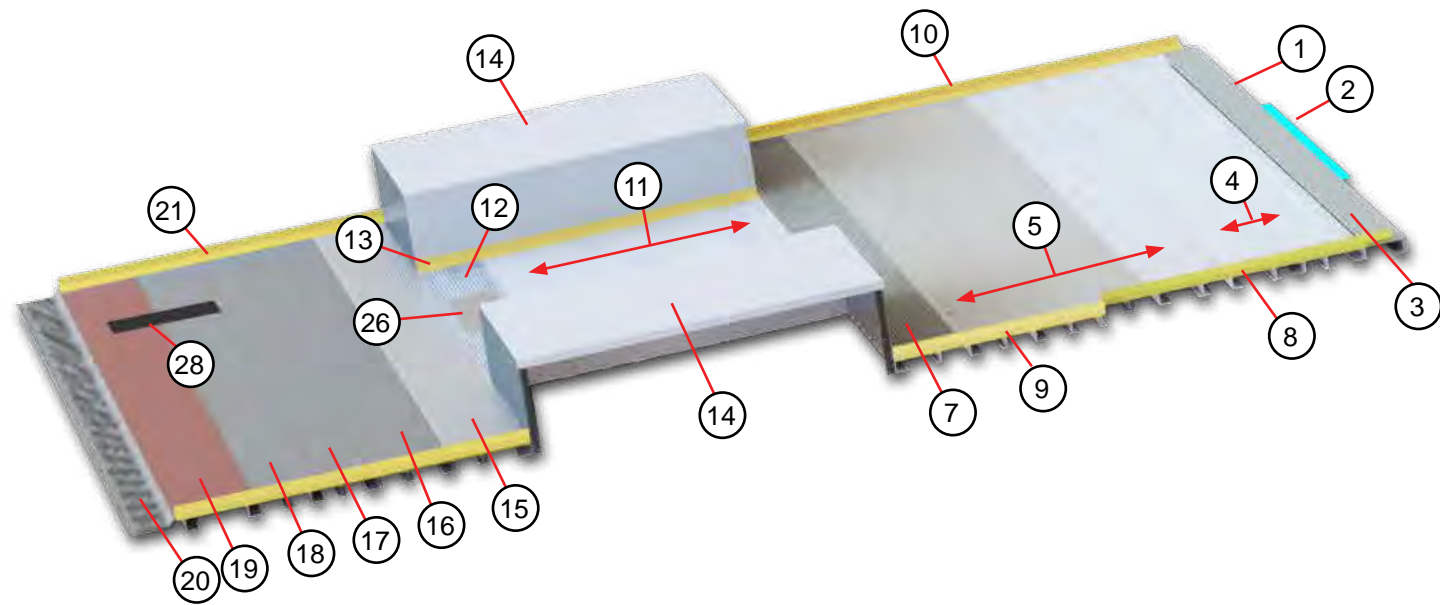


ITEM #	PART #	DESCRIPTION	QTY.	UNIT
1	205027202	INSTRUMENT PANEL WELDMENT FORD	1	EA
2	<a href="#">095027412</a>	BRACE INSTRUMENT PANEL AL .102X3.43X18.39 LH	1	EA
3	<a href="#">093027402</a>	BRACKET STIFFENER AL .125X1.91X12.66	1	EA
4	<a href="#">125027407</a>	BRACKET I/P AL .102X4.32X11.06	1	EA
5	<a href="#">095027408</a>	BLOCK OFF PLATE AL .102X1.32X2.30	1	EA
6	<a href="#">46026378</a>	RECEPTACLE 12 V	1	EA
7	<a href="#">128027421</a>	PLATE ACC COVER RADIO AL .102X9X11	1	EA
8	<a href="#">118027417</a>	PLATE FILLER ROCKER SWITCH AL .07X4.5X5.5	1	EA
9	<a href="#">125027416</a>	BRACKET MOUNTING AL .102X7.71X10.08	1	EA
10	<a href="#">46023506</a>	PLUG BLACK ROCKER SWITCH	3	EA
11	<a href="#">165027400</a>	PLATE COVER AL .07X5.74X8.64	1	EA
12	<a href="#">1111513</a>	PLUG BLACK ROUND	1	EA
13	<a href="#">46026432</a>	USB POWER POINT 5V 3.1A	1	EA
14	195027408	FACE PLATE I/P AL .102X8.66X17.3	1	EA
15	205027407	PLATE - HAZARD SWITCH AL .102X1X3.5	1	EA
16	205027405	PLATE MOUNTING - HEADLAMP SWITCH	1	EA
17	187027412	ANGLE MOUNTING SENSOR	1	EA

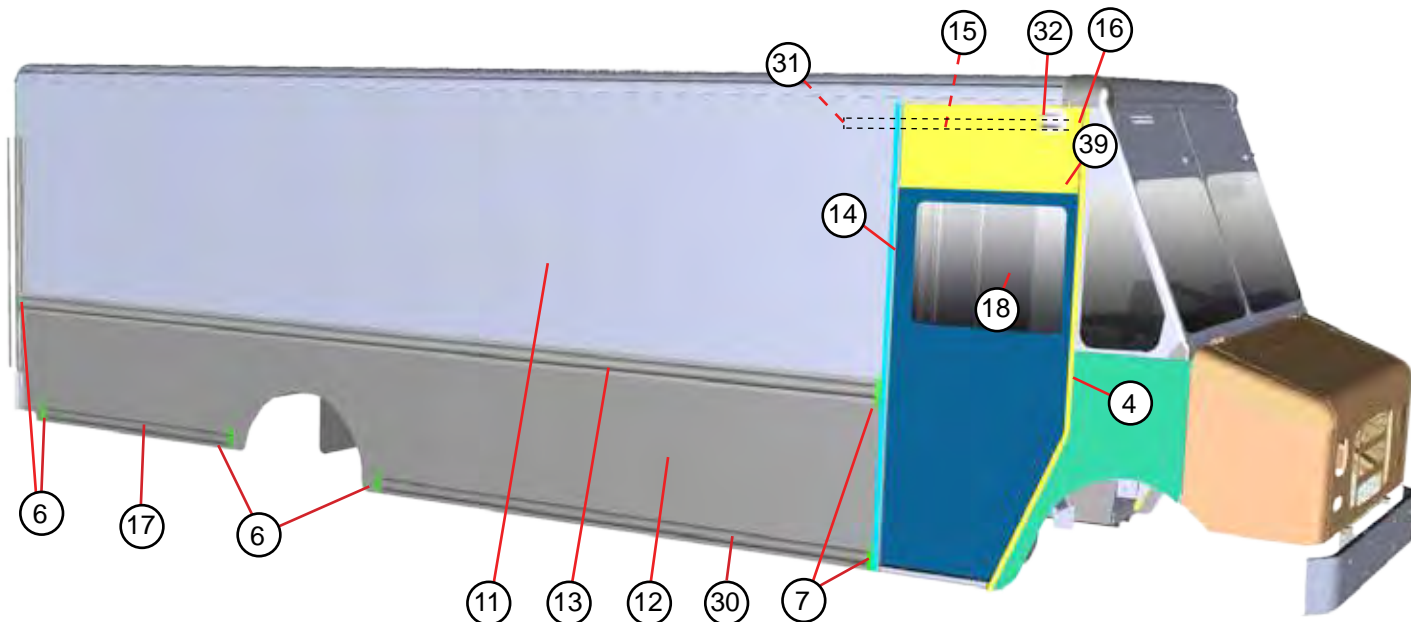
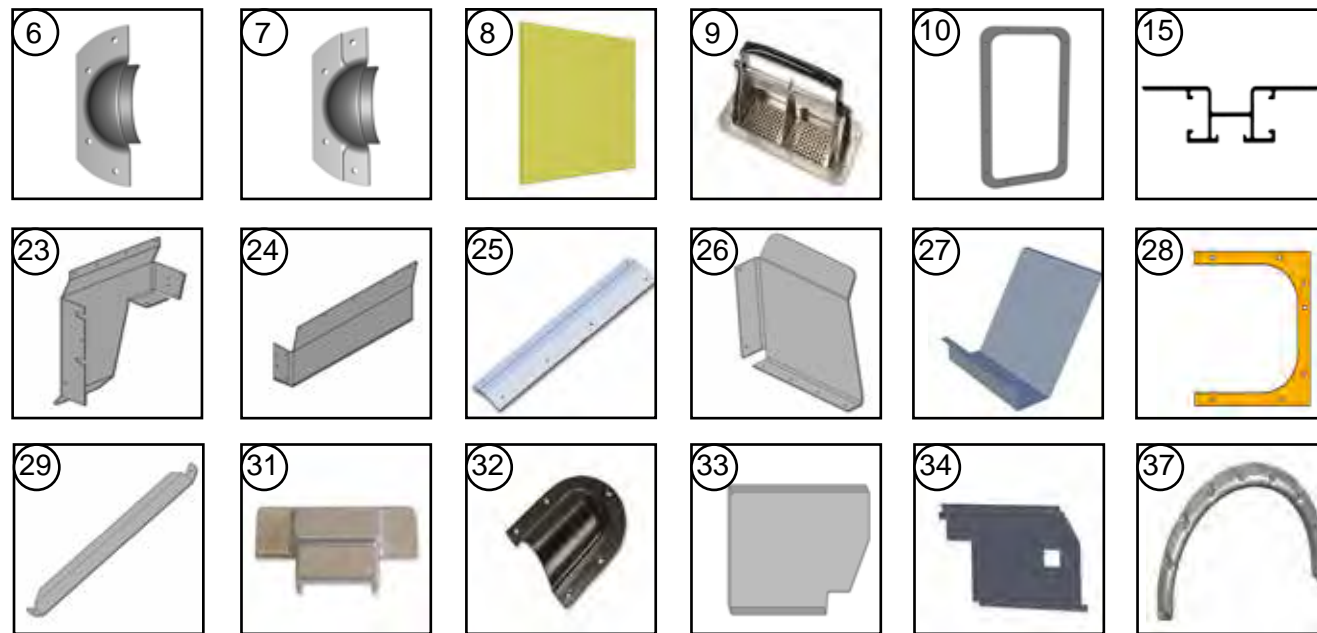
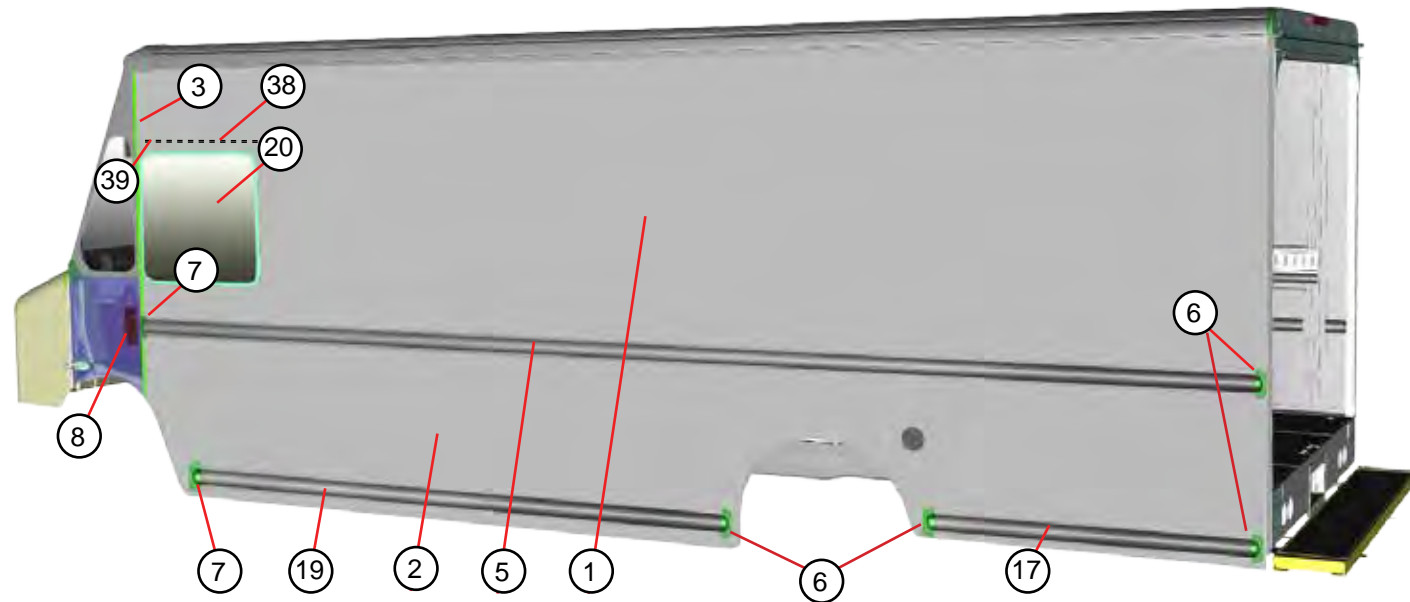


ITEM #	PART #	DESCRIPTION	QTY.	UNIT
1	<a href="#">47002685</a>	SEAT DRIVER	1	EA
2	47002686	SEAT BASE	1	EA
3	<a href="#">47011208</a>	ARM REST ROADSIDE (LH)	1	EA
4	<a href="#">98M582030</a>	BRACE SUPPORT STEEL 7GAX9.43X23.43	1	EA
5	<a href="#">47042600</a>	SEAT BELT WITH BOOT ADJUSTABLE D ORANGE	2	EA
6	<a href="#">91614300</a>	ANGLE FLOOR .188X2.84X19.1	1	EA
7	<a href="#">47002452</a>	HEAD / BACK REST JUMP SEAT	1	EA
8	<a href="#">47002080</a>	FOLDING SEAT JUMP	1	EA
9	<a href="#">47004366</a>	SEAT BELT W/BOOT 3 POINT ORANGE	1	EA

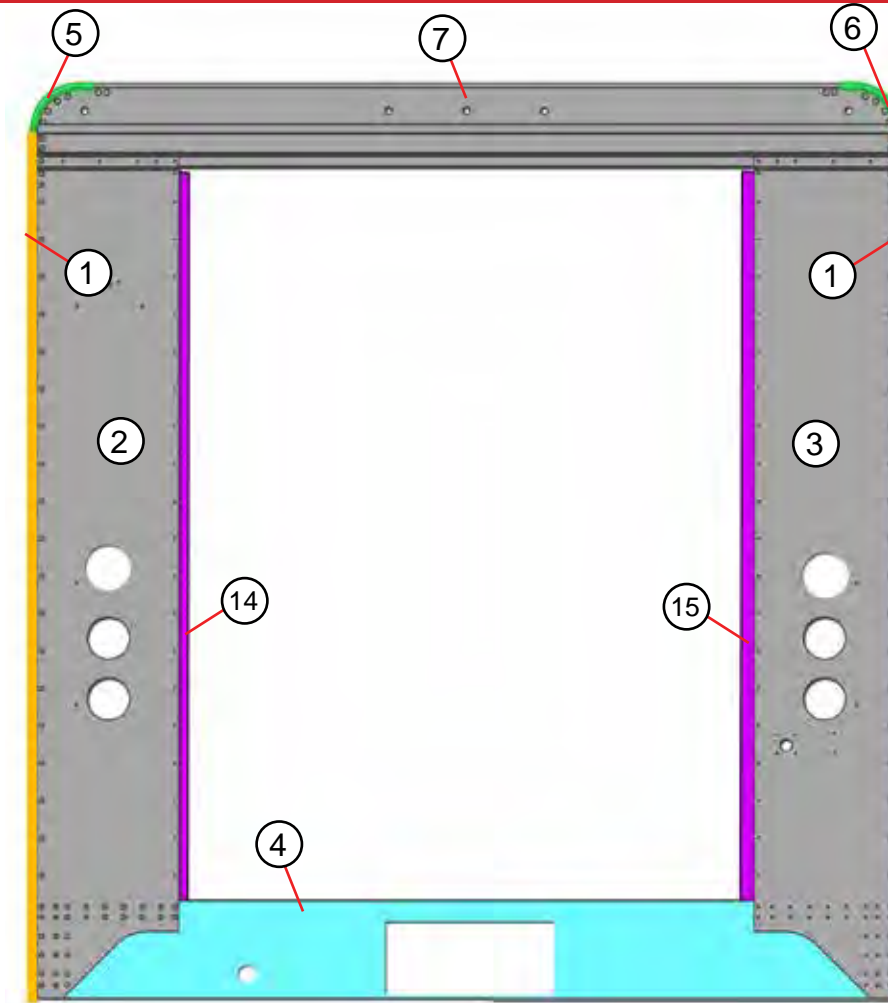
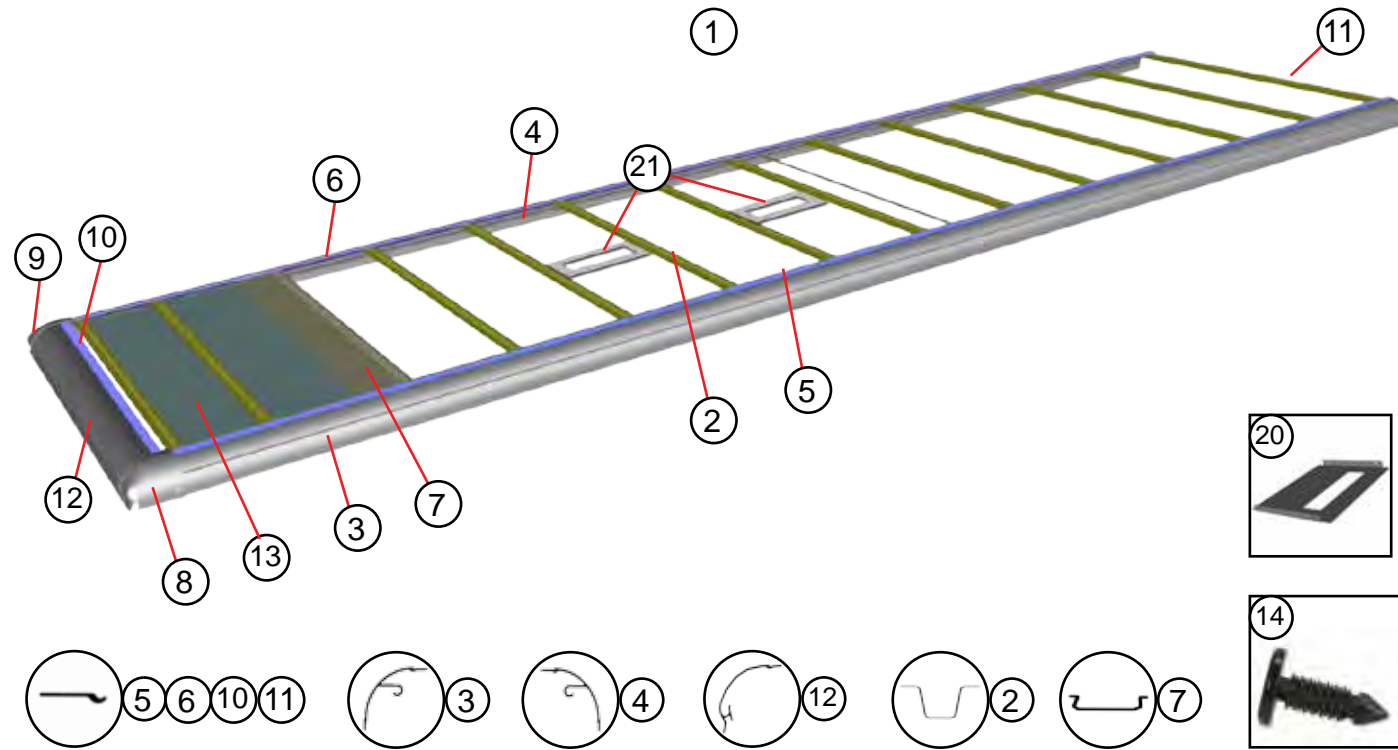




ITEM #	PART #	DESCRIPTION	QTY.	UNIT
1	<a href="#">095031411</a>	BEAM @ O/LINE	1	EA
2	<a href="#">003330525</a>	ANGLE STEP 450187X34	1	EA
FLOOR FORWARD				
3	<a href="#">45058302</a>	BEAM FLOOR RIB	1	EA
4	45058602	BEAM FLOOR RIB	2	EA
5	<a href="#">45058401</a>	BEAM FLOOR RIB	3	EA
6		BLANK	-	-
7	<a href="#">45058701</a>	BEAM FLOOR RIB	1	EA
8	<a href="#">095031424</a>	ANGLE FLOOR AT DR	1	EA
9	<a href="#">095031418</a>	ANGLE FLOOR 2DR RH	1	EA
10	095031421	ANGLE FLOOR DLH	1	EA
FLOOR MID				
11	<a href="#">45058603</a>	BEAM FLOOR	4	EA
12	<a href="#">45058500</a>	BEAM FLOOR	1	EA
13	<a href="#">095032425</a>	ANGLE W/BX ATTACH	2	EA
14	<a href="#">095032206</a>	WHEEL BOX ASSEMBLY 93W 44"	2	EA
FLOOR REAR				
15	<a href="#">45058701</a>	BEAM FLOOR RIB M/FEM	1	EA
16	<a href="#">45058603</a>	BEAM FLOOR RIB M/FEM	1	EA
17	<a href="#">45058401</a>	BEAM FLOOR RIB M/FEM	1	EA
18	<a href="#">45058303</a>	BEAM FLOOR RIB FEM/LAP	1	EA
19	205033401	PLATE FILLER	1	EA
20	<a href="#">45059200</a>	DROP SILL AL FLOOR 45 RMP	1	EA
21		BLANK	-	-
ACCESS DOOR				
22	<a href="#">40900082</a>	SPRING	4	EA
23	<a href="#">40900080</a>	STUD	8	EA
24	<a href="#">40900081</a>	GROMMET HALF	8	EA
25	<a href="#">125012400</a>	SUPPORT ACCESS DOOR A	1	EA
26	<a href="#">130032200</a>	DOOR ASSEMBLY - ACCESS	1	EA
27	<a href="#">150012400</a>	ANGLE SUPPORT ACCESS DOOR	2	EA
28	<a href="#">165127401</a>	BRACKET HAND CART	1	EA
29	<a href="#">150127456</a>	BRACKET BUNGEE HAND CART	2	EA
NS	<a href="#">45400581</a>	BUNGEE CORD 24" FOR HAND CART	1	EA
31	<a href="#">165127402</a>	BRACKET HAND CART	1	EA



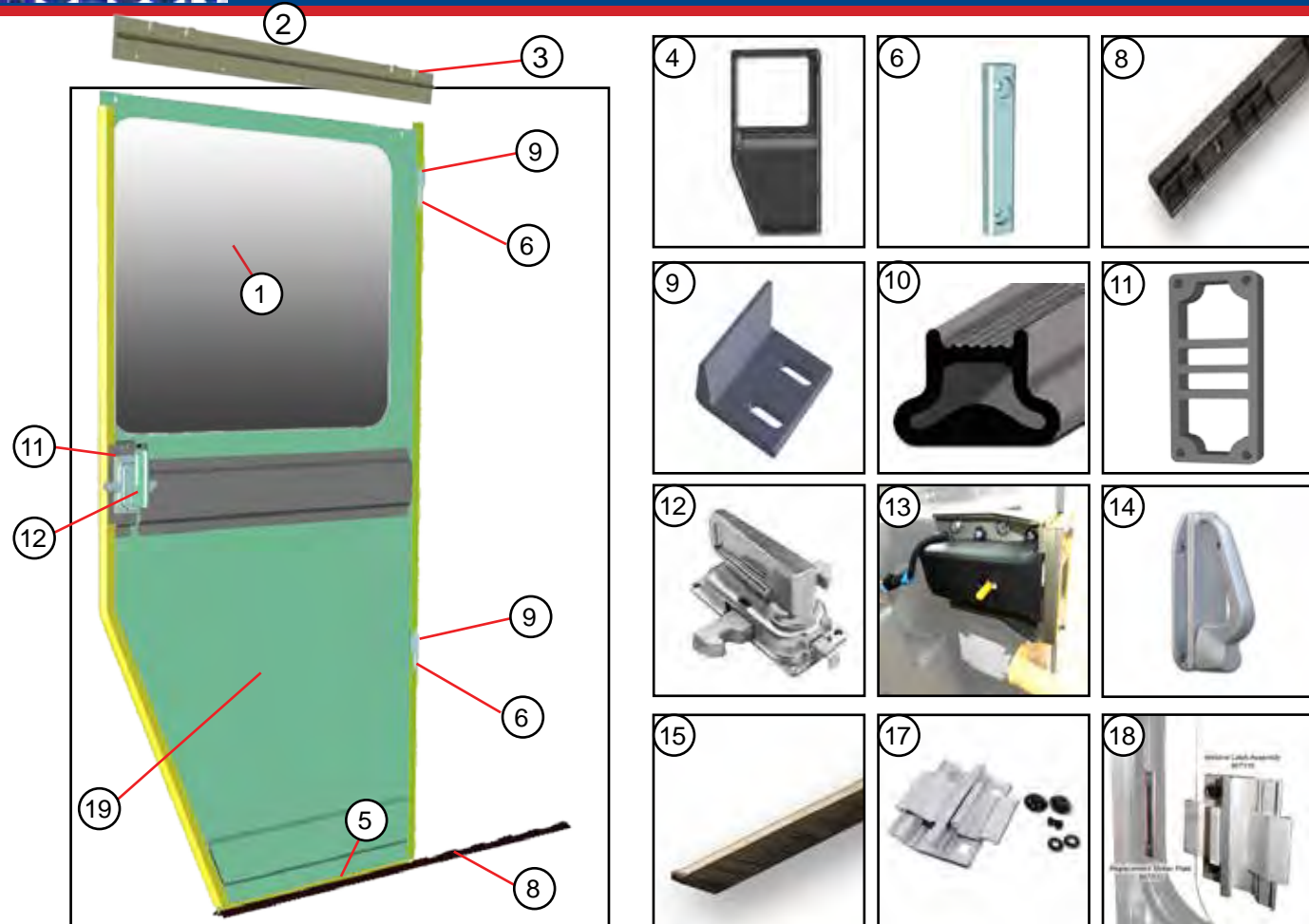
ITEM #	PART #	DESCRIPTION	QTY.	UNIT
1	205046400	SIDE PANEL UPPER AL .102X56X194.31 DLH	1	EA
2	205045400	SIDE PANEL LOWER AL .102X32X194.31 DLH	1	EA
3	<a href="#">095044300</a>	DOOR POST ASSEMBLY LH	1	EA
4	<a href="#">095041410</a>	DOOR POST RH	1	EA
5	088039323	RUB RAIL AL 450002X190.31 DLH	1	EA
6	<a href="#">1100799</a>	END CAP REAR AL.125X2.37X5.5	8	EA
7	<a href="#">1100800</a>	END CAP FORWARD AL .125X2.37X5.5	4	EA
8	<a href="#">7600165</a>	PLATE FILLER RUB RAIL AL.125X2.88X3	3	EA
9	<a href="#">47008545</a>	VENT AL 2WAY HNGLS	1	EA
10	<a href="#">47008548</a>	GASKET FOR VENT	1	EA
11	205038401	SIDE PANEL UPPER AL .102X56X153.31 RH	1	EA
12	205037402	SIDE PANEL LOWER AL .102X32X153.31 RH	1	EA
13	088039301	RUB RAIL AL 450002X149	1	EA
14	<a href="#">095038404</a>	POST "B" AL 450274X90.18 RH	1	EA
15	<a href="#">083042401</a>	STIFFENER HEADER AL RH ( 165042400 - LH )	1	EA
16	<a href="#">96742302</a>	CLIP AL Z .102X3X9.57	1	EA
17	148039421	RUB RAIL LOWER REAR AL450002X41.43	2	EA
18	<a href="#">13342990003</a>	WINDOW SLIDING RH	1	EA
19	148039447	RUB RAIL LOWER FRONT AL 450002X78.5	1	EA
20	<a href="#">13342990004</a>	WINDOW SLIDING LH	1	EA
NS	<a href="#">093019408</a>	STIFFENER ZEE BELOW WINDOW LH AL.07X7.59X16.19	1	EA
23	<a href="#">165026402</a>	SPLASH PAN AL .125X19.95X25.13 LH	1	EA
24	<a href="#">165026403</a>	SPLASH PAN AL .125X 10.42X19.2 RH	1	EA
25	<a href="#">113026402</a>	ADAPTOR SPLASH PAN AL .125X3.17X16.65 RH	1	EA
26	<a href="#">165026404</a>	SPLASH PAN AL .125X14.73X16.63 RH	1	EA
27	<a href="#">998526301</a>	SPLASH PAN FUEL FILL AL .07X19X30.44	1	EA
28	<a href="#">998512300</a>	SHIM FUEL FILL	1	EA
29	<a href="#">001744400</a>	GUSSETT FLOOR TO SIDE STRAP AL .125X2.1X16.02	3	EA
30	<a href="#">088039401</a>	RUB RAIL AL 450002X54.32	1	EA
31	<a href="#">45100074</a>	CAP RAIL END	2	EA
32	<a href="#">47008533</a>	CAP PLASTIC END VENT	2	EA
33	093019417	PANEL LNR BELOW WINDOW LH AL .102X31.57X38.46	1	EA
34	175019400	PANEL LNR ABOVE WINDOW LH AL .07X23.11X45.35	1	EA
NS	175019401	PANEL LNR ABOVE WINDOW RH AL .07X15.48X44.19	1	EA
NS	175019402	BRACKET PANEL LINER LH AL .102X6X8.1	1	EA
37	<a href="#">66104047</a>	FENDER RUBBER REAR	2	EA
NS	093019413	PANEL LNR ABOVE WINDOW AL .07X15.48X44.17 RH	1	EA
NS	<a href="#">1109001</a>	INSULATION FIBERGLASS	2.5	FT
NS	165040000	EXTENTION HANGER EXHAUST PIPE	1	EA
NS	40300930	"U" BOLT 11GA 3.5" HANGER	1	EA
38	<a href="#">89367380</a>	DRIP RAIL OVER WINDOW	1	EA
39	<a href="#">44002024</a>	RUBBER STOPPER @ DRIP RAIL	2	EA



ITEM #	PART #	DESCRIPTION	QTY	UNIT
1		<b>ROOF ASSEMBLY</b>		
2	<a href="#">45601603</a>	ROOF BOW STEEL 16GA SEC456016 X89.12	8	EA
3	098010445	ROOF RAIL 12' 456144X189.25 ROADSIDE	1	EA
4	098010446	ROOF RAIL 12' 456144X189.25 CURBSIDE	1	EA
5	<a href="#">088010504</a>	RAIL INTERLOCK AL 450140X189.25 ROADSIDE	1	EA
6	088010505	RAIL INTERLOCK AL 450140X189.25 CURBSIDE	1	EA
7	<a href="#">118010402</a>	ROOF BEAM @ O LINE 14GA GLNX9.54X89.12	1	EA
8	<a href="#">077100400</a>	CORNER CASTING ROADSIDE	1	EA
9	<a href="#">077100401</a>	CORNER CASTING CURBSIDE	1	EA
10	<a href="#">89310506</a>	INTERLOCK ROOF NOSE	1	EA
11	<a href="#">89310507</a>	INTERLOCK ROOF TRANSOM	1	EA
12	<a href="#">083010400</a>	ROOF NOSE AL 456107X82.5	1	EA
13	108011402	LINER ROOF GR 38.5X86.12	1	EA
14	<a href="#">47006610</a>	CLIP PLASTIC FLAT HEAD	60	EA
NS	<a href="#">45200851</a>	ROOF SKIN .075X82.25XFT	15.98	FT
NS	<a href="#">1109001</a>	INSULATION FBG	8	FT
20	<a href="#">090091403</a>	BRACKET DOME LAMP CAB AL .102X19.25X25.32	1	EA
21	<a href="#">100092401</a>	BRACKET DOME LAMP CARGO AL .07X7.75X24.75	2	EA

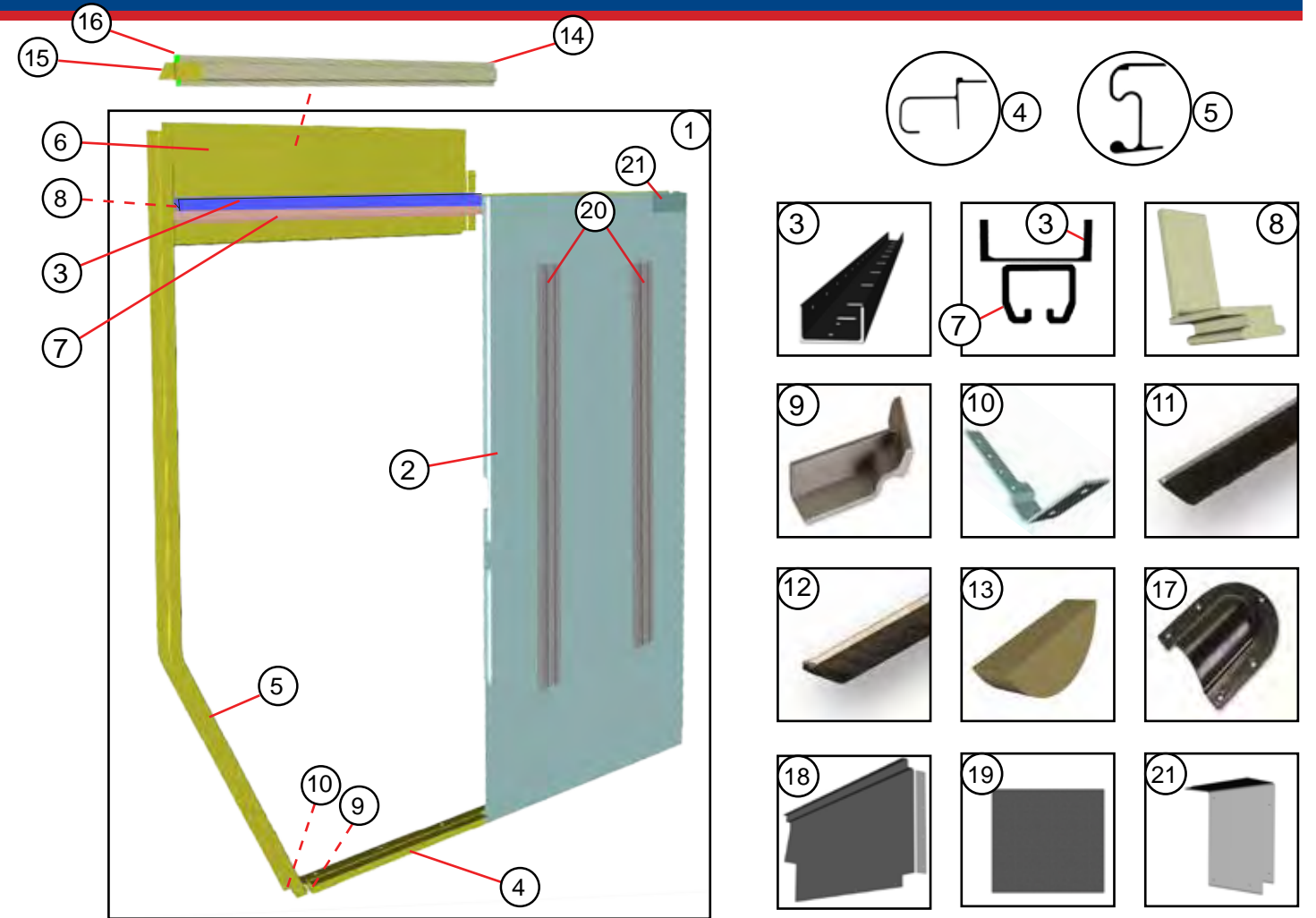
ITEM #	PART #	DESCRIPTION	QTY	UNIT
1	<a href="#">083053452</a>	CHANNEL POST CORNER AL 450359X88.69	2	EA
2	<a href="#">165053400</a>	PANEL BACK AL .102X15.14X864 LH	1	EA
3	<a href="#">165053401</a>	PANEL BACK AL .102X15.14X864 RH	1	EA
4	207053400	SILL REAR 93W AL 450024X89	1	EA
5	<a href="#">45100009</a>	CORNER CAST LH	1	EA
6	<a href="#">45100010</a>	CORNER CAST RH	1	EA
7	<a href="#">083053401</a>	TRANSOM REAR ROLL UP DOOR AL 450266X91.62	1	EA
8	<a href="#">140092400</a>	BOX LICENSE PLATE	1	EA
9	<a href="#">47009642</a>	LAMP LICENSE PLATE CLEAR	1	EA
10	<a href="#">90650309</a>	ANGLE CLIP AL 450192X.88	2	EA
11	<a href="#">165135400</a>	PLATE FILLER BACK AL .125X2.23X97.21	1	EA
12	<a href="#">175081400</a>	LAMP GUARD AL .07X12.81X29.24 LH	1	EA
13	<a href="#">175081401</a>	LAMP GUARD AL .07X12.81X29.24 RH	1	EA
14	140092402	GUARD CAMERA AL	1	EA
15	47009300	SPRING CLIP PLACECARD	1	EA
16	165119400	PLATE BACKER SPRING CLIP	1	EA
17	<a href="#">097105454</a>	WIRING GUARD AL	1	EA
NS	<a href="#">175127400</a>	WIRING COVER AT TRANSOM	1	EA

**SIDE DOOR**

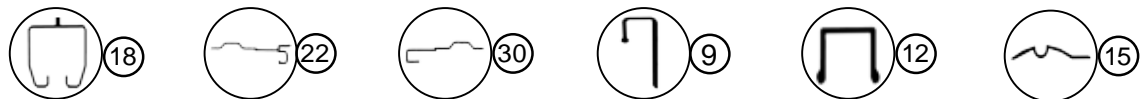
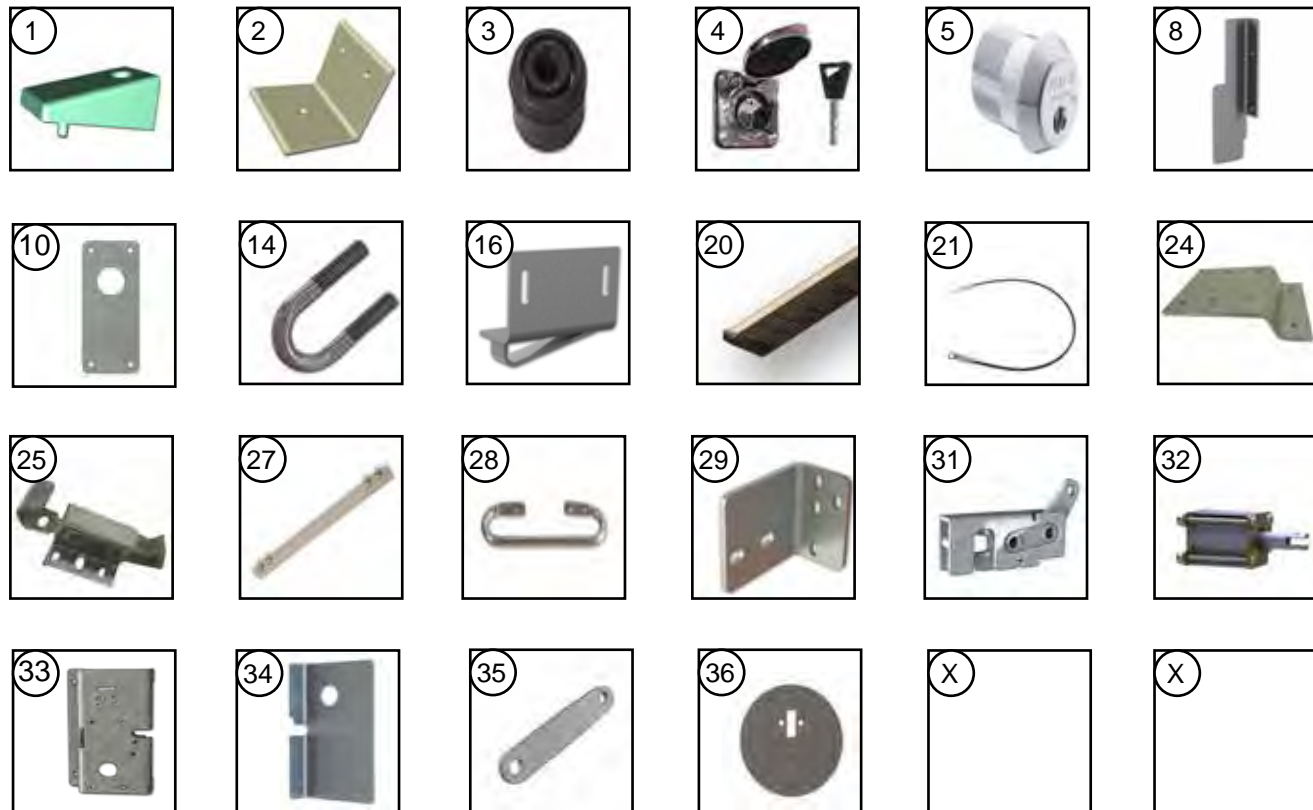
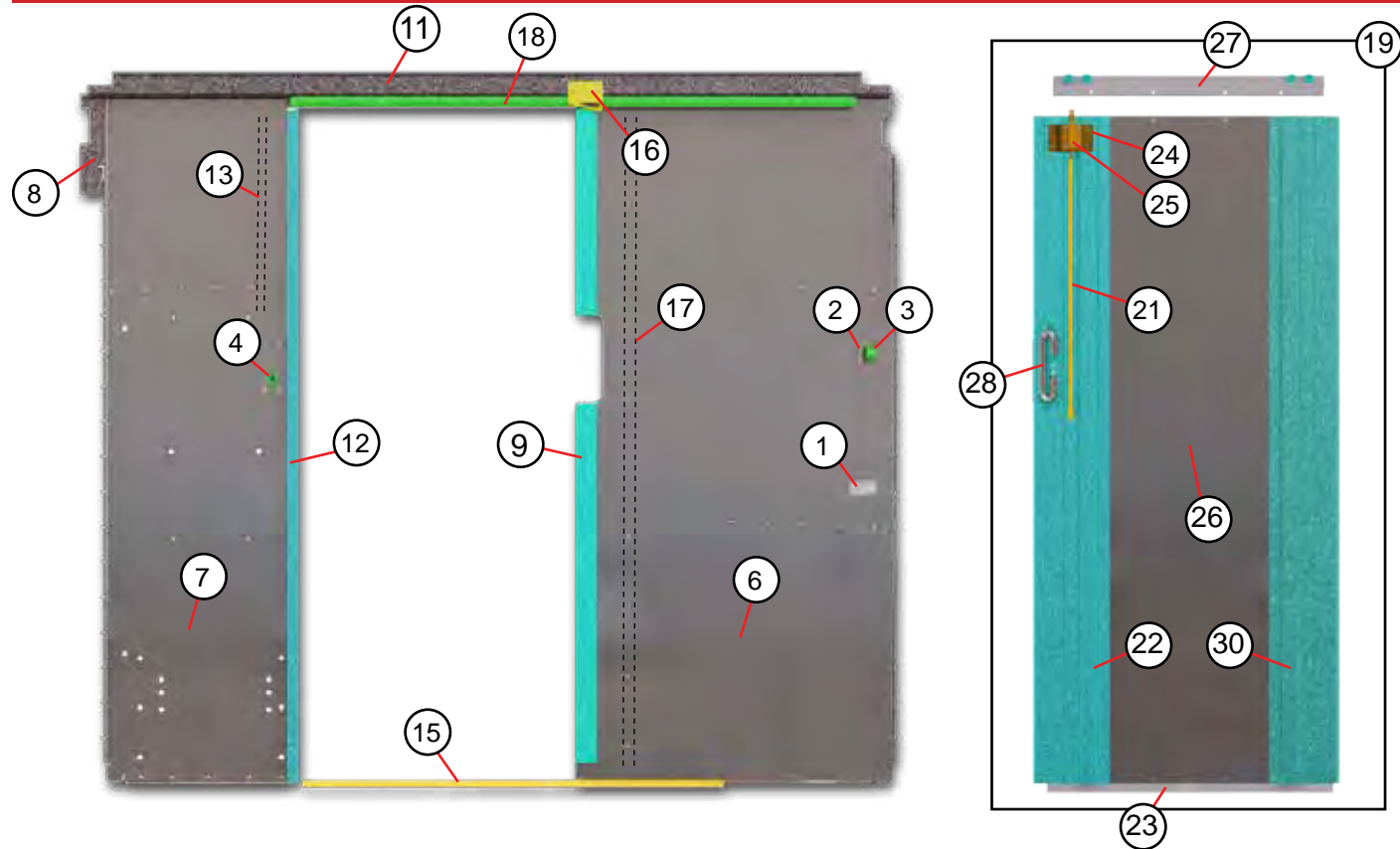


ITEM #	PART #	DESCRIPTION	QTY.	UNIT
1	<a href="#">13342990003</a>	WINDOW SLIDING RH	1	EA
2	<a href="#">96760203</a>	HANGER ASSEMBLY (INCLUDES BEARINGS & BRUSH SEAL 44008050)	1	EA
3	<a href="#">47006595</a>	BEARING ASSEMBLY	4	PR
4	<a href="#">195060201</a>	SIDE DOOR ASSEMBLY	1	EA
5	<a href="#">095060448</a>	WEAR STRIP DOOR X26.85	1	EA
6	<a href="#">45200206</a>	SPACER ANTI RATTLE NYLON	2	EA
8	<a href="#">47002766</a>	DOOR GUIDE NYLON	1	EA
9	<a href="#">45300377</a>	CLIP ANTI RATTLE	2	EA
10	<a href="#">44004104</a>	SEAL RUBBER RS FORWARD X89.25	1	EA
11	<a href="#">087181</a>	KASON SPACER (ADDITIONAL SPACER <a href="#">157060404</a> )	1	EA
12	<a href="#">45100168</a>	LATCH MECHINISM INNER	1	EA
13	<a href="#">46029042</a>	KEYLESS LOCK ASSEMBLY	2	EA
14	<a href="#">47001326</a>	HANDLE SIDE DOOR POWDER COATED	1	EA
15	<a href="#">44008050</a>	SEAL BRUSH TYPE B 1X41.95"	1	EA
16	<a href="#">45210011</a>	PANEL LOWER DOOR PLASTIC 39.4X35.45 RH	1	EA
17	<a href="#">967110</a>	REPLACEMENT WINDOW LATCH	-	EA
18	<a href="#">967203</a>	WINDOW STRIKER PLATE	-	EA

**DOOR POCKET**



ITEM #	PART #	DESCRIPTION	QTY.	UNIT
2	165041401	PANEL DOOR POCKET AL .102X42.26X82.08 RH	1	EA
3	<a href="#">96741303</a>	CHANNEL HEADER AL 450256X75 RH	1	EA
4	<a href="#">095041416</a>	NOSE STEP AL 450247X62.57 RH	1	EA
5	<a href="#">095041410</a>	DOOR POST AL 450294X92.77 RH	1	EA
6	<a href="#">077041402</a>	PANEL HEADER AL .102X15.49X42.37 RH	1	EA
7	<a href="#">96741202</a>	TRACK ASSEMBLY UPPER	1	EA
8	<a href="#">45100049</a>	GUSSET HEADER CHANNEL TO DOOR POST	1	EA
9	<a href="#">45100105</a>	DOOR POST CASTING LOWER	1	EA
10	<a href="#">001741408</a>	REINFORCEMENT BRACKET AL.125X1.53X8.04 RH	1	EA
11	<a href="#">44004060</a>	SEAL BRUSH TYPE C 1.5X82	1	EA
12	<a href="#">44008050</a>	SEAL BRUSH TYPE B 1X83.9	1	EA
13	<a href="#">45900001</a>	PLUG WOOD @ RUBRAIL .75X1.12X2.9	1	EA
14	<a href="#">083042401</a>	STIFFENER HEADER AL 450328X73.75 RH	1	EA
15	<a href="#">96742302</a>	CLIP AL Z .102X3X9.57	2	EA
16	<a href="#">45100074</a>	CAP RAIL END	2	EA
17	<a href="#">47008533</a>	VENT CAP PLASTIC	2	EA
18	175019401	PANEL LINER HEADER AL .07X15.48X44.17 RH	1	EA
19	<a href="#">47009600</a>	CARPET GREY BLACHFORD	2	FT
20	165048408	STIFFENER AL 459919X58.75	2	EA
21	<a href="#">96741355</a>	COVER DOOR POCKET AL .055X6.75X12.16 RH	1	EA



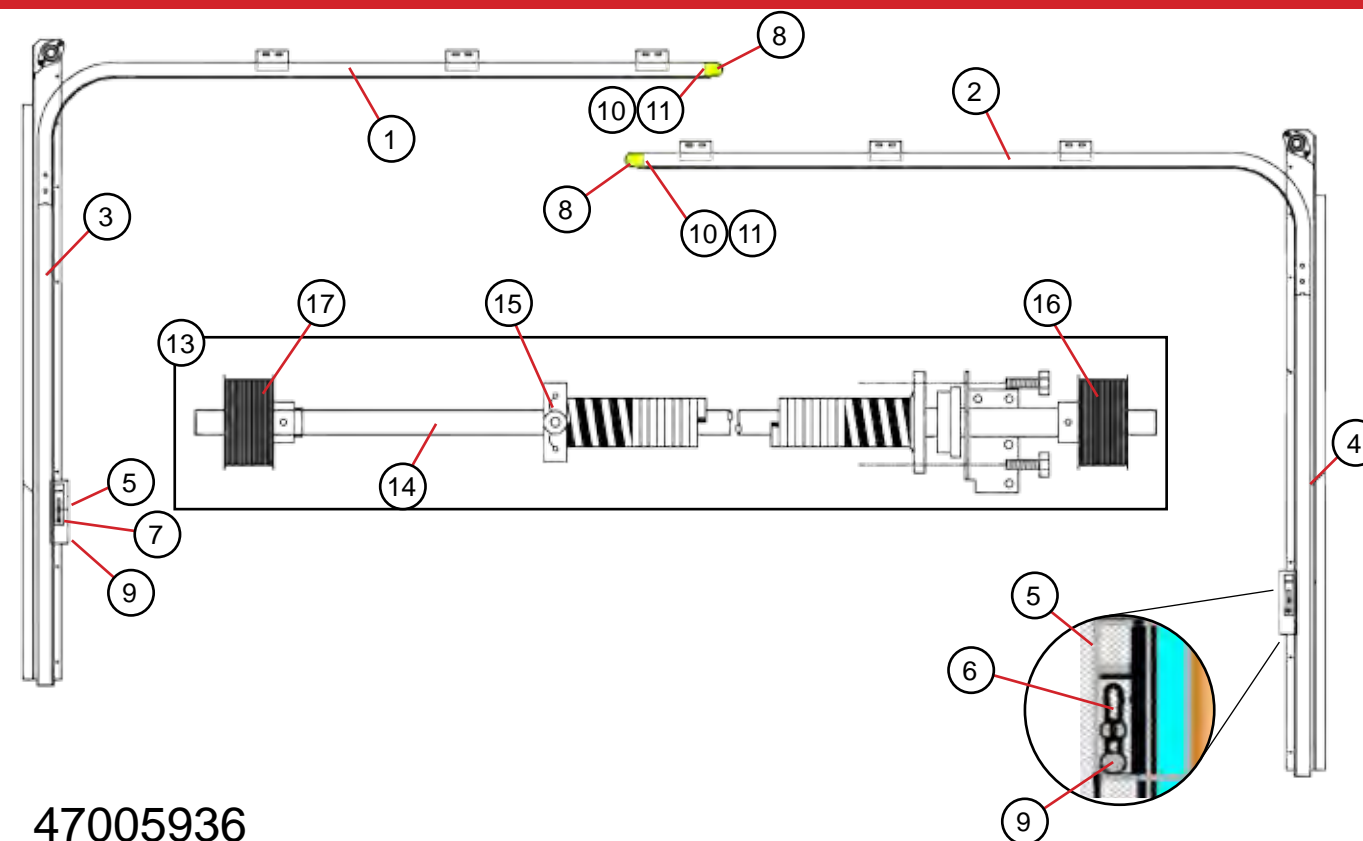
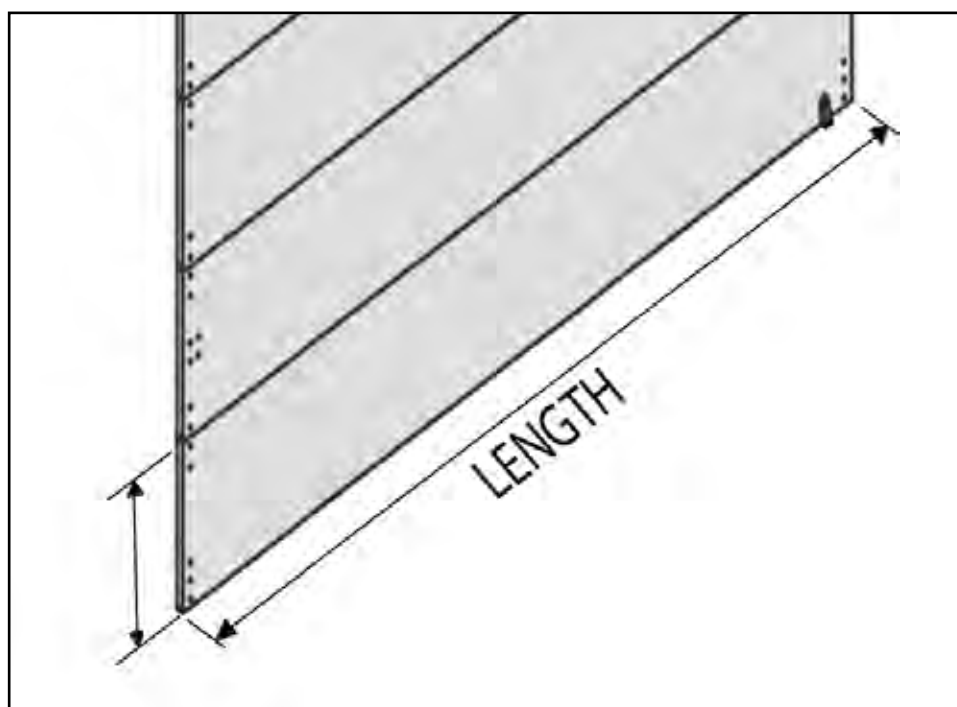
ITEM #	PART #	DESCRIPTION	QTY.	UNIT
1	<a href="#">45200208</a>	DOOR CHOCK NYLON	1	EA
2	<a href="#">82140014</a>	ANGLE MOUNTING BUMPER AL .125X2X2X2	1	EA
3	<a href="#">1107086</a>	RUBBER BUMPER - DOOR STOP	1	EA
4	47000993	CYLINDER LOCK ASSEMBLY W/ 2KEYS & DUST COVER	1	EA
5	47000779	CYLINDER LOCK ONLY	1	EA
6	175070403	PANEL BULKHEAD AL .102X37.61X79.42 LH	1	EA
7	207070409	PANEL BULKHEAD AL .102X24.16X79.42 RH	1	EA
8	175070405	PLATE UPPER FILLER AL .102X3.63X10.25	1	EA
9	175070407	CHANNEL BULKHEAD AL 450502X74.15	1	EA
10	217147401	SPACER LATCH BULKHEAD AL .25X2.5X5.75	1	EA
11	207070405	ZEE HEADER BULKHEAD AL .102X6.77X92.4	1	EA
12	207070406	JAMB BULKHEAD DOOR AL 450326X76.44	1	EA
13	207070407	WIRING GUARD AL .07X2.44X21	1	EA
14	<a href="#">40300931</a>	U-BOLT .38-16 1" ID 2.25" HT	1	EA
15	<a href="#">96770316</a>	GUIDE DOOR @ FLOOR AL 450414X47.88	1	EA
16	<a href="#">98770202</a>	STRIKER WELDMENT ASSEMBLY	1	EA
17	<a href="#">083069404</a>	STIFFENER JUMP SEAT AL 450043X72.12	1	EA
18	<a href="#">088070256</a>	TRACK ASSEMBLY 30" CTR SLID	1	EA
19	207070201	DOOR ASSEMBLY BULKHEAD N/WINDOW	1	EA
20	<a href="#">44008050</a>	SEAL BRUSH TYPE B 1X83.9	1	EA
21	<a href="#">1113600</a>	CABLE ASSEMBLY .125X29" BLACK	1	EA
22	207070404	BULKHEAD DOOR EDGE AL 450504X75.25 RH	1	EA
23	<a href="#">088070524</a>	WEAR STRIP 452002X32.25	1	EA
24	<a href="#">92537309</a>	PLATE MOUNTING LATCH AL .125X3.19X5.29	1	EA
25	<a href="#">1113046</a>	LATCH FINGER PULL	1	EA
26	175070408	PANEL DOOR BULKHEAD AL .125X27.88X75.25	1	EA
27	<a href="#">088070257</a>	HANGER ASSEMBLY W/SEAL BHD	1	EA
28	<a href="#">90187300</a>	GRAB .5DIA X15.7	1	EA
29	<a href="#">197147408</a>	PLATE STRIKER LATCH BHD AL .188X3X5.15	1	EA
30	167070401	BULKHEAD DOOR EDGE AL 450503X75.25 LH	1	EA
31	<a href="#">1113458</a>	LOCK ASSEMBLY - ROTARY LATCH	1	EA
32	<a href="#">137147400</a>	SOLOINOID OPEN FRAME PULL TYPE	1	EA
33	210147400	BRACKET LATCH AL .125X9.29X9.5	1	EA
34	207147404	LID LATCH ASSEMBLY	1	EA
35	217147400	LINK ARM - KEYLESS LOCK	1	EA
36	40900016	CAM - LOCK	1	EA



ROLL-UP DOOR SERIAL NUMBER LOCATION

WHEN ORDERING PARTS FOR ROLL-UP DOORS, PLEASE PROVIDE THE FOLLOWING INFORMATION. THE SERIAL NUMBER LOCATED ON THE INTERIOR TOP PANEL ROADSIDE EDGE. THE LENGTH AND HEIGHT OF THE DOOR PANEL(S) TO BE ORDERED.

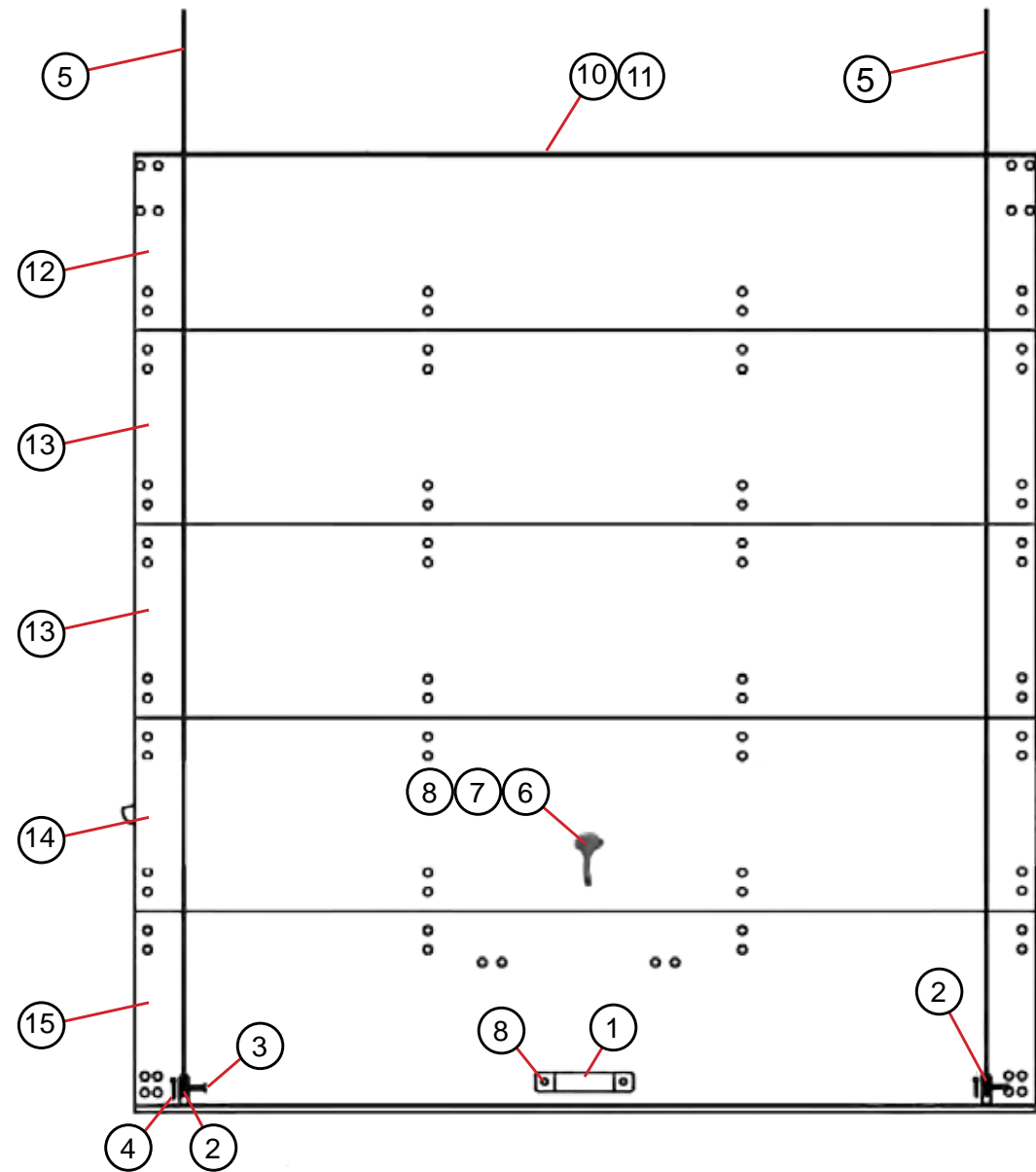
IN THE EVENT OF A DAMAGED, UN-READABLE OR MISSING SERIAL NUMBER, PLEASE TRY TO PROVIDE THE COMPOSITION DETAILS OF THE DOOR PANEL. (PLASTIC PANEL (WEATHERTITE), ALUMINUM CLAD, PLYWOOD, ETC.)



47005936

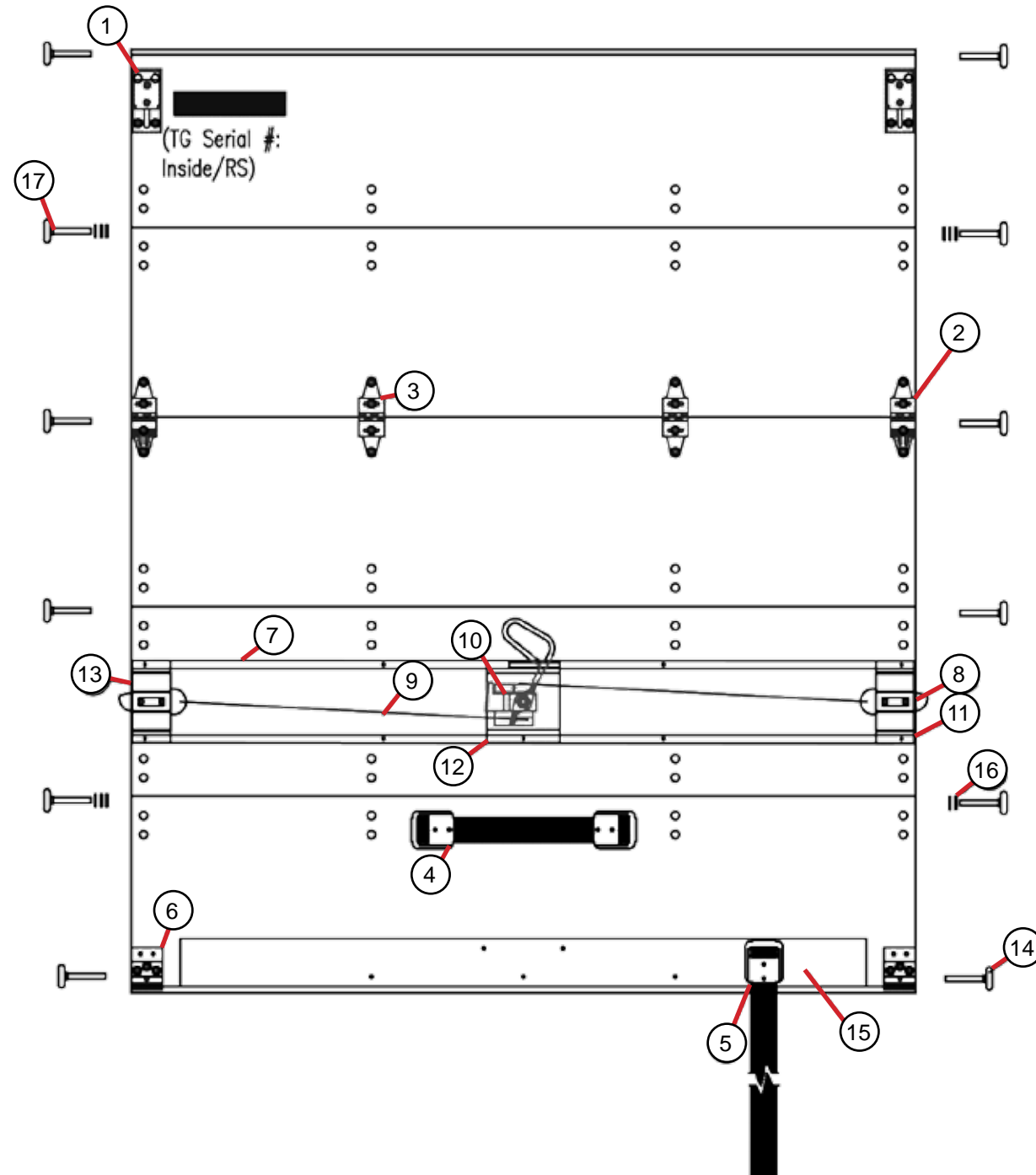
ITEM#	PART#	DESCRIPTION
1	<a href="#">47106850</a>	HORIZONTAL TRACK ASSEMBLY - CURBSIDE
2	<a href="#">47106853</a>	HORIZONTAL TRACK ASSEMBLY - ROADSIDE
3	<a href="#">47106854</a>	VERTICAL TRACK ASSEMBLY - CURBSIDE
4	<a href="#">47106855</a>	VERTICAL TRACK ASSEMBLY - ROADSIDE
5	<a href="#">47106740</a>	LOCK CATCH
6	<a href="#">47106758</a>	CATCH MOUNTING PLATE - LH
7	<a href="#">47106759</a>	CATCH MOUNTING PLATE - RH
8	<a href="#">47106787</a>	2" YELLOW HEAD PROTECTOR
9	<a href="#">47106744</a>	5/16-18 KEEP NUT
10	<a href="#">47106746</a>	1/4-20 KEEP NUT
11	<a href="#">47106788</a>	1/4-20 X 2-1/2 HEX HEAD BOLT
<b>COUNTERBALANCE ASSEMBLY</b>		
13	<a href="#">47106857</a>	COUNTERBALANCE ASSEMBLY
14	<a href="#">47106862</a>	COUNTERBALANCE SHAFT - 62"
15	<a href="#">47106858</a>	SPRING W. PLUGS .192 SQ WIRE X 2.50 X 27.50 (RH)
16	<a href="#">47106753</a>	CABLE DRUM LH (HEX HEAD SET SCREWS)
17	<a href="#">47106754</a>	CABLE DRUM RH (HEX HEAD SET SCREWS)

47005936



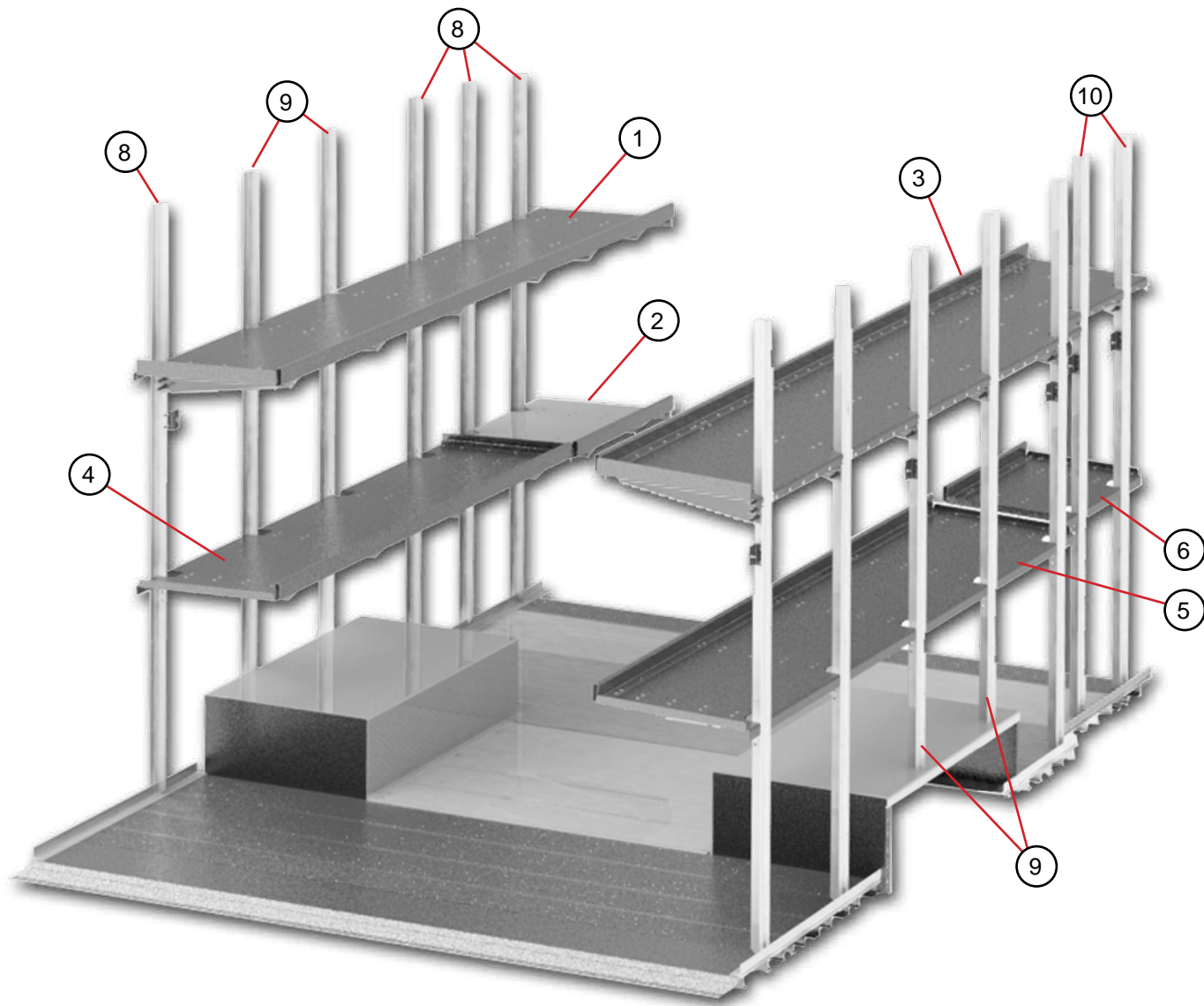
ITEM #	PART #	DESCRIPTION
1	<a href="#">47106796</a>	LIFT HANDLE - BLACK
2	<a href="#">47106762</a>	BRACKET CABLE ANCHOR
3	<a href="#">47106706</a>	PIN CABLE ANCHOR BRACKET
4	<a href="#">47106719</a>	COTTER PIN
5	<a href="#">47106727</a>	CABLE SS 95" METAL EYE
6	<a href="#">47106774</a>	L-HANDLE, NON-KEYED
7	<a href="#">47106783</a>	10-24 X 1" SS SCREW
8	<a href="#">47106784</a>	10-24 SS NYLOK NUT
9	<a href="#">47106802</a>	60 INCH PULL STRAP NO-LOOP
10	<a href="#">47106829</a>	SEAL TOP PANEL
11	<a href="#">47106830</a>	SEAL TOP PANEL - EXTENDED LIP
12	<a href="#">47106852</a>	1/4" COMPOSITE PANEL TOP
13	<a href="#">47106851</a>	1/4" COMPOSITE PANEL INTERMEDIATE X2
14	<a href="#">47106849</a>	1/4" COMPOSITE LATCH PANEL
15	<a href="#">47106848</a>	1/4" COMPOSITE PANEL BOTTOM

47005936

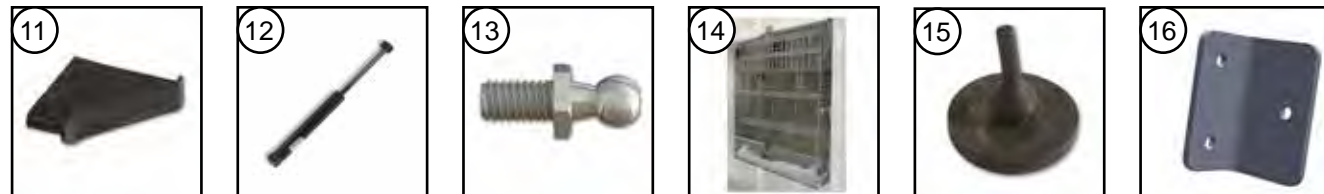


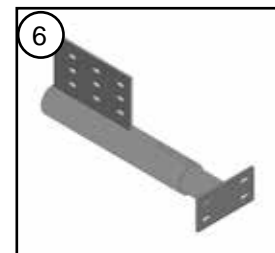
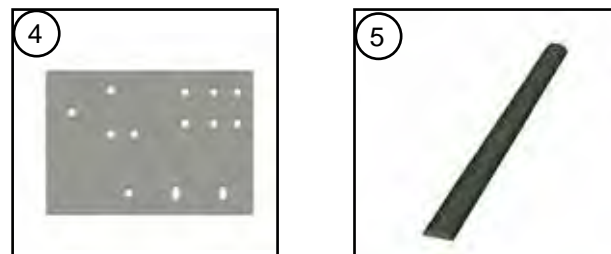
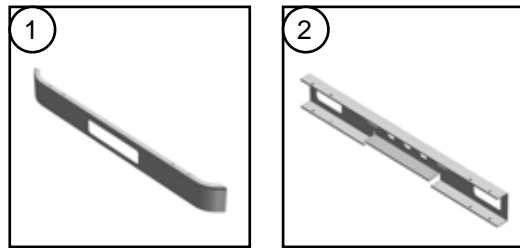
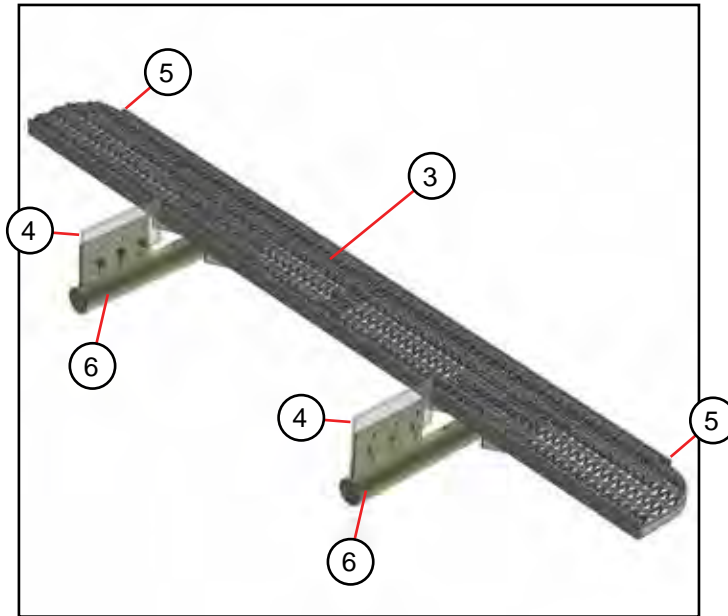
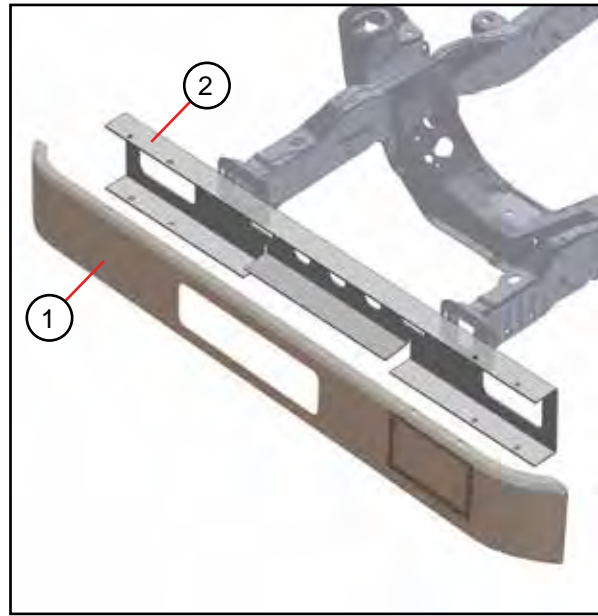
ITEM#	PART#	DESCRIPTION
1	<a href="#">47106710</a>	TOP CLOSURE ASSEMBLY
2	<a href="#">47106797</a>	END HINGE ASSEMBLY
3	<a href="#">47106731</a>	CENTER HINGE HEAVY DUTY
4	<a href="#">47106837</a>	12" PULL STRAP, NO LOOP - 2 BLK RETAINERS
5	<a href="#">47106802</a>	60" PULL STRAP, NO LOOP
6	<a href="#">47106764</a>	BOTTOM ROLLER BRACKET ASSM, 2" ROLLER
7	<a href="#">47106847</a>	CABLE COVER W/ STUDS - 62" LENGTH
8	<a href="#">47106717</a>	2 POINTT END LATCH - RS
9	<a href="#">47106860</a>	CABLE ASSEMBLY, 2 PT LOCK W/ 2 STOPS & WASHER
10	<a href="#">47106891</a>	2-PT CENTER CONTROL WITH D HANDLE
11	<a href="#">47106836</a>	LATCH BASE END - .91" OFF, PVC/WOOD/13MM COMP, 2" TRACK
12	<a href="#">47106767</a>	LATCH BASE CENTER - .91" OFF, PVC/WOOD/13MM COMP, 2" TRACK
13	<a href="#">47106716</a>	2 PT END LATCH - CS
14	<a href="#">47106765</a>	2" HD SOLID STEEL ROLLER
15	47106861	BLACK 56" LONG BOTTOM ANGLE FOR .25" COMPOSITE W/ INSIDE PS
16	<a href="#">47106718</a>	SPACER ROLLER
NS	<a href="#">47106724</a>	5/8" STAINLESS STEEL RIVET
NS	<a href="#">47106725</a>	3/4" STAINLESS STEEL RIVET
NS	<a href="#">47106726</a>	7/8" STAINLESS STEEL RIVET
NS	<a href="#">47106720</a>	11/16" ALUMINUM BUCK RIVET
NS	<a href="#">47106721</a>	13/16" ALUMINUM BUCK RIVET



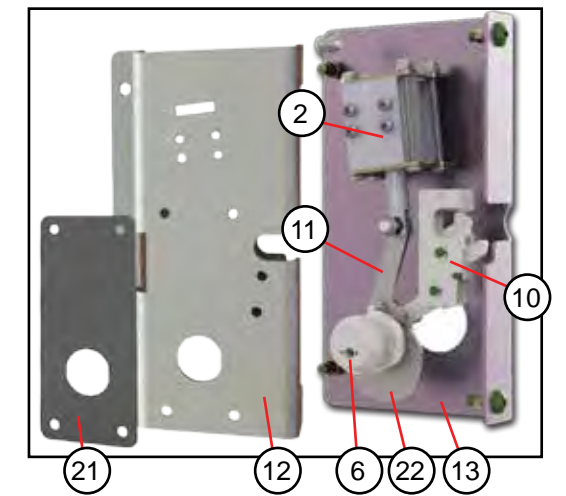
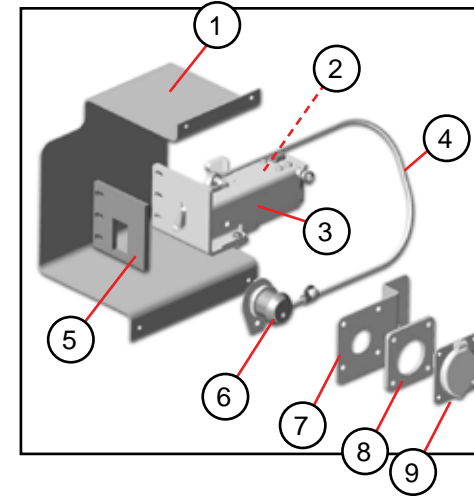


ITEM #	PART #	DESCRIPTION	QTY.	UNIT
<b>FIXED SHELF ASSEMBLIES</b>				
1	205105200	SHELF ASSEMBLY LH UPPER	1	EA
2	165105205	SHELF ASSEMBLY LH LOWER	1	EA
3	205105201	SHELF ASSEMBLY RH UPPER	1	EA
<b>FOLDING SHELF ASSEMBLIES</b>				
4	210105204	FOLDING SHELF ASSEMBLY LH LOWER	1	EA
5	210105203	FOLDING SHELF ASSEMBLY RH LOWER	1	EA
6	200105203	FOLDING SHELF ASSEMBLY RH LOWER @ DR PKT	1	EA
8	205048402	STIFFENER	5	EA
9	205048403	STIFFENER @ WHEEL BOX	4	EA
10	200105203	STIFFENER @ DOOR POCKET	2	EA
11	<a href="#">1106157</a>	PLUG @ SHELF ARM	26	EA
12	<a href="#">126106426</a>	GAS SPRING 60LB	7	EA
13	<a href="#">47006086</a>	BALL STUD	12	EA
14	47012413	WIRE BASKET GRAY POWDER COAT	1	EA
NS	150127459	SUPPORT BRACKET @ WIRE BASKET		
15	<a href="#">1107102</a>	RUBBER BUMPER	1	EA
16	<a href="#">150106410</a>	BRACKET RUBBER BUMPER	1	EA

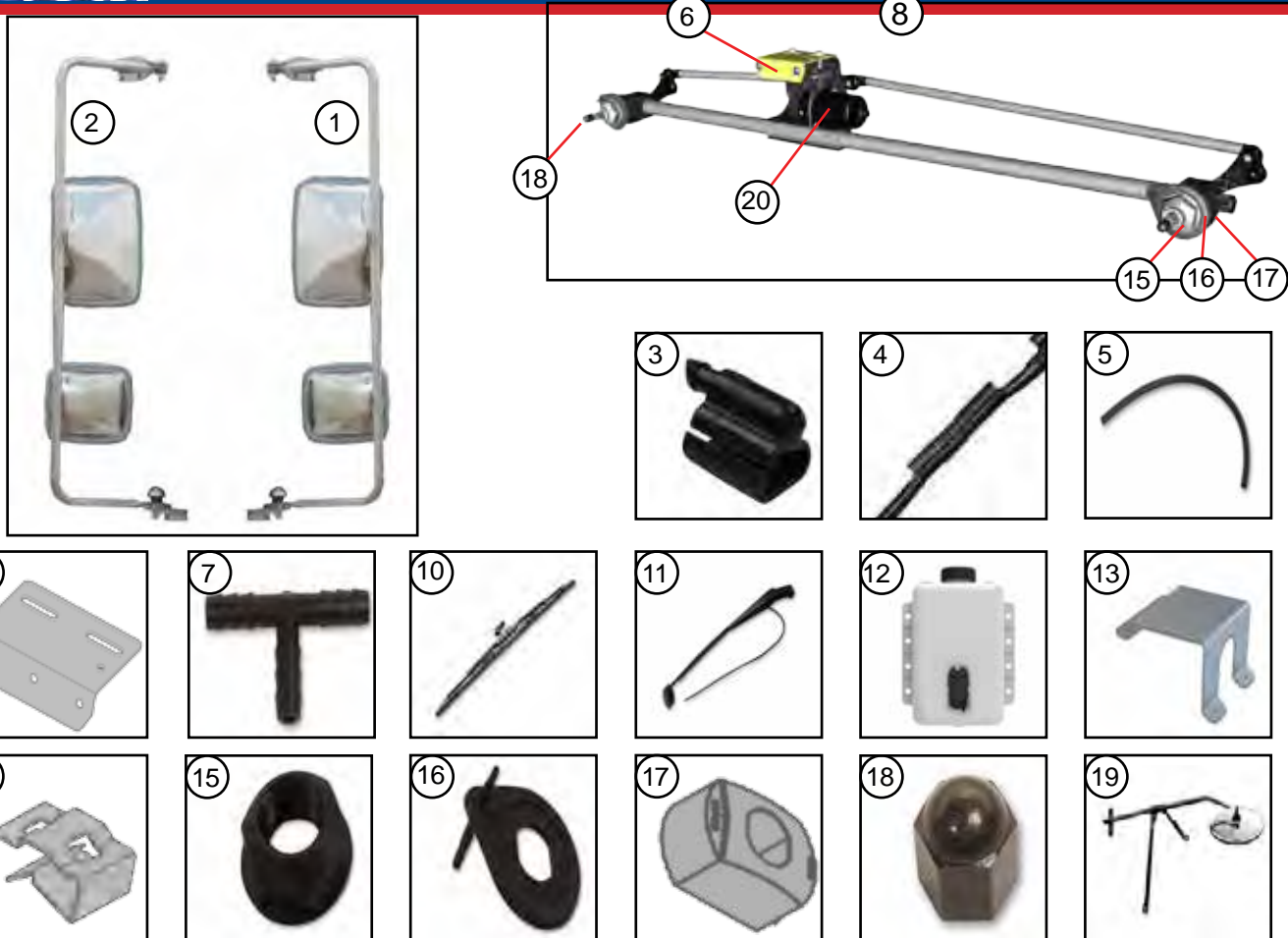




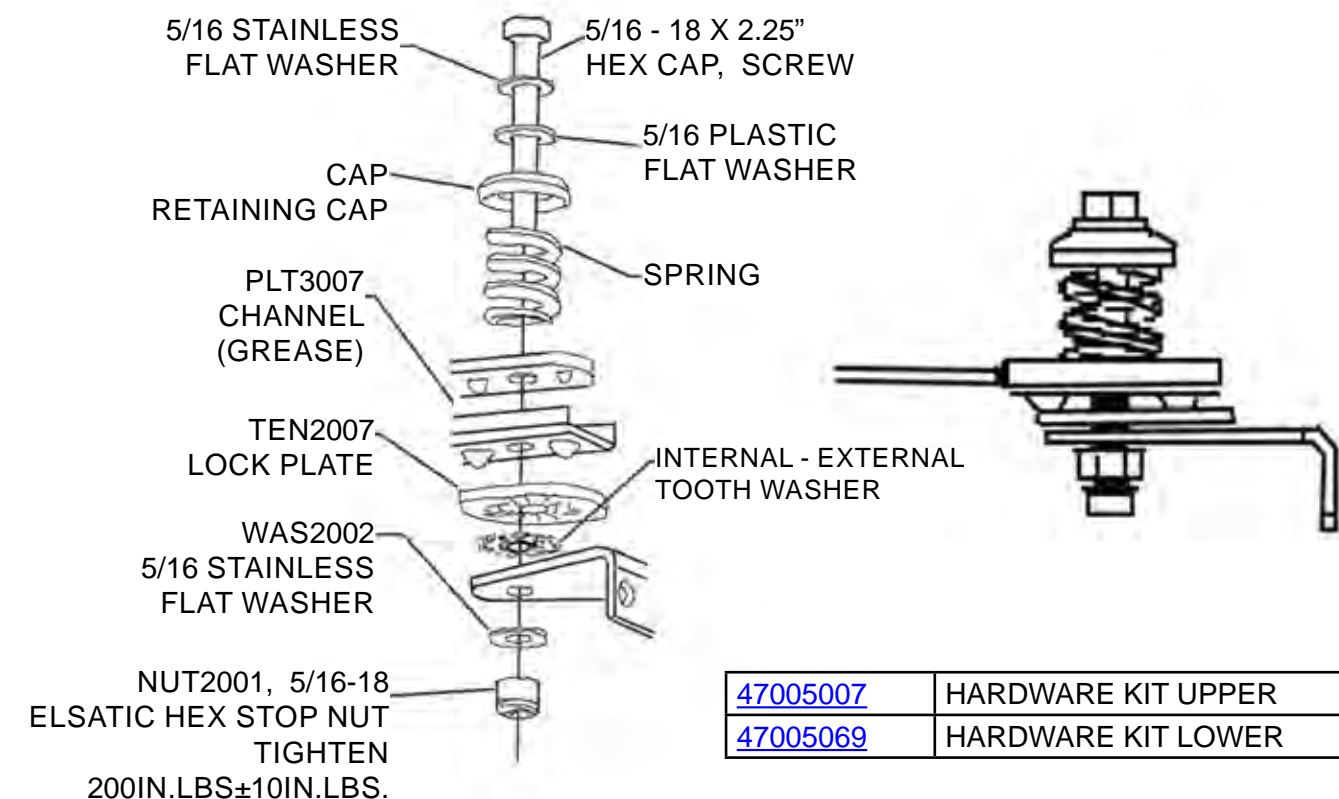
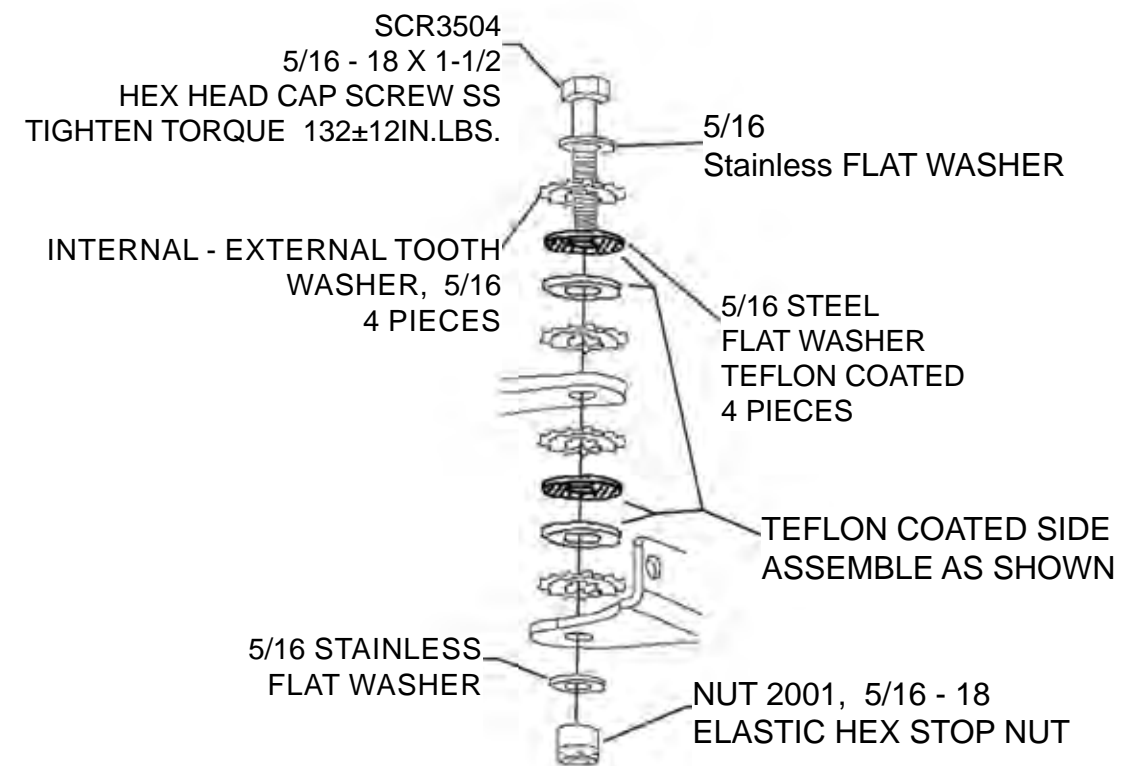
ITEM #	PART #	DESCRIPTION	QTY.	UNIT
<b>FRONT BUMPER</b>				
1	<a href="#">207008200</a>	BUMPER STEEL FRONT 93W 9IN	1	EA
2	<a href="#">165008402</a>	BRACE BUMPER FRONT STL .7X15.22X73	1	EA
<b>REAR BUMPER</b>				
3	<a href="#">47004270</a>	BUMPER REAR 10" DEEP	1	EA
4	<a href="#">205007404</a>	PLATE HANGER STEEL .312X8.25X13.13	2	EA
5	<a href="#">006370401</a>	PROTECTIVE RUBBER BUMPER X18"	2	EA
6	<a href="#">003057201</a>	SHOCK BUMPER	2	EA



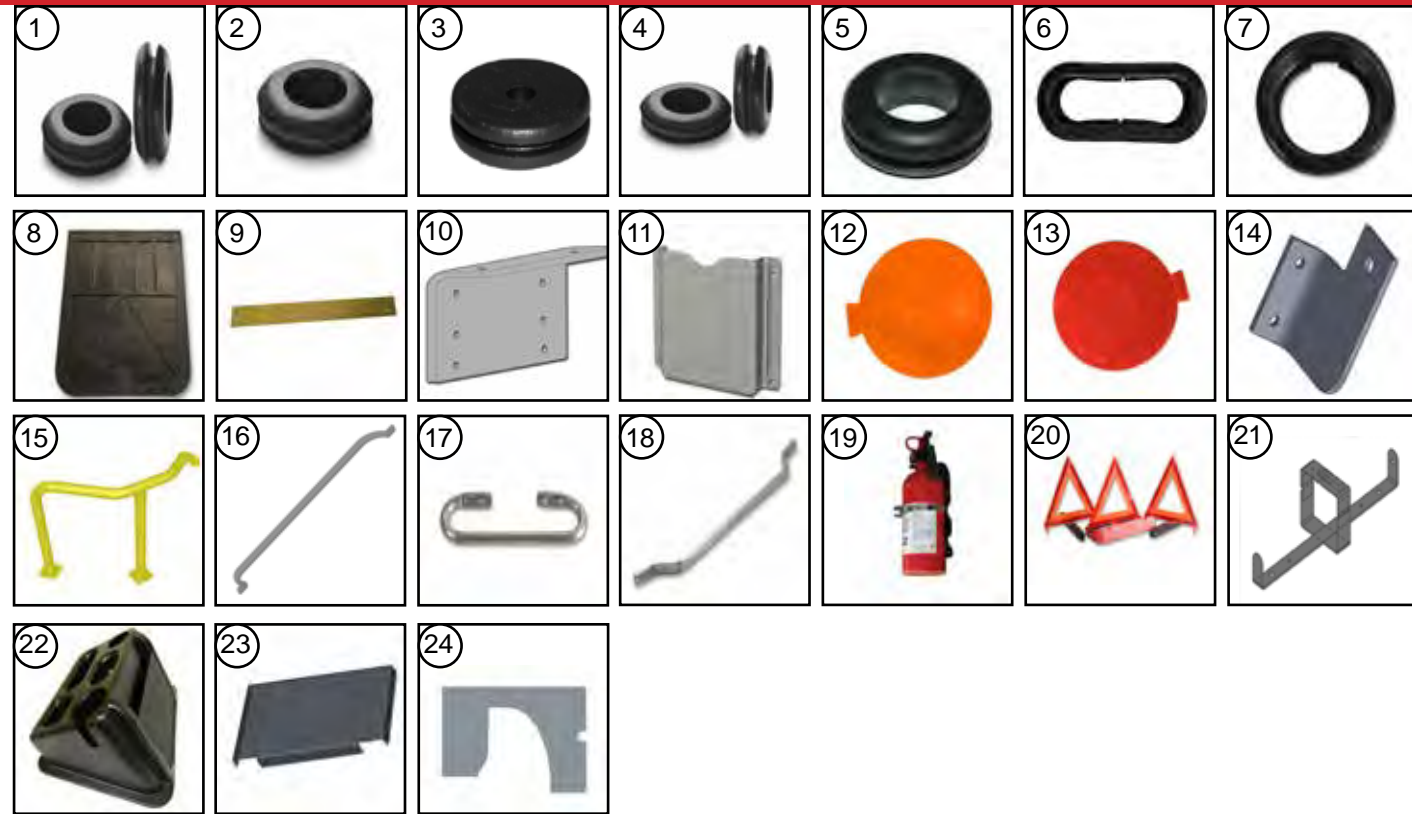
ITEM #	PART #	DESCRIPTION	QTY.	UNIT
1	207147407	GUARD REAR KEYLESS RH	1	EA
2	137147400	SOLENOID OPEN FRAME PULL TYPE	1	EA
3	207147200	RUD LOCK ASSEMBLY W/ OVERRIDE	1	EA
4	137147414	CABLE PUSH/PULL	1	EA
5	117050417	SHIM DOOR LOCK	1	EA
6	47000779	LOCK CYLINDER ONLY W/ 2 KEYS	1	EA
7	207147402	BRACKET MOUNTING LOCK CYLINDER	1	EA
8	150127465	SHIM DUST COVER	1	EA
9	136060401	DUST COVER ONLY	1	EA
10	1113458	LOCK MECHANISM - ROTARY LATCH	1	EA
11	217147400	LINK ARM	1	EA
12	210147400	BRACKET - KEYLESS HOUSING	1	EA
13	207147404	BRACKET - KEYLESS HOUSING	1	EA
14	46029044	KEYLESS RF MODULE KIT (INCLUDES 3 FOBs)	1	EA
15	46029045	REPLACEMENT KEY FOB	1	EA
16	46023511	SWITCH ROCKER DOOR UNLOCK SPST	1	EA
17	46029042	LOCK ASSEMBLY SIDE DOOR RH (Solenoid = See item #2)	1	EA
18	107093401	SWITCH GUARD	1	EA
19	107093402	PLATE - SWITCH MOUNTING	1	EA
20	47000993	LOCK CYLINDER W/ 2 KEYS & DUST COVER	1	EA
21	217147401	SPACER LATCH	1	EA
22	40900016	LOCK CAM	1	EA



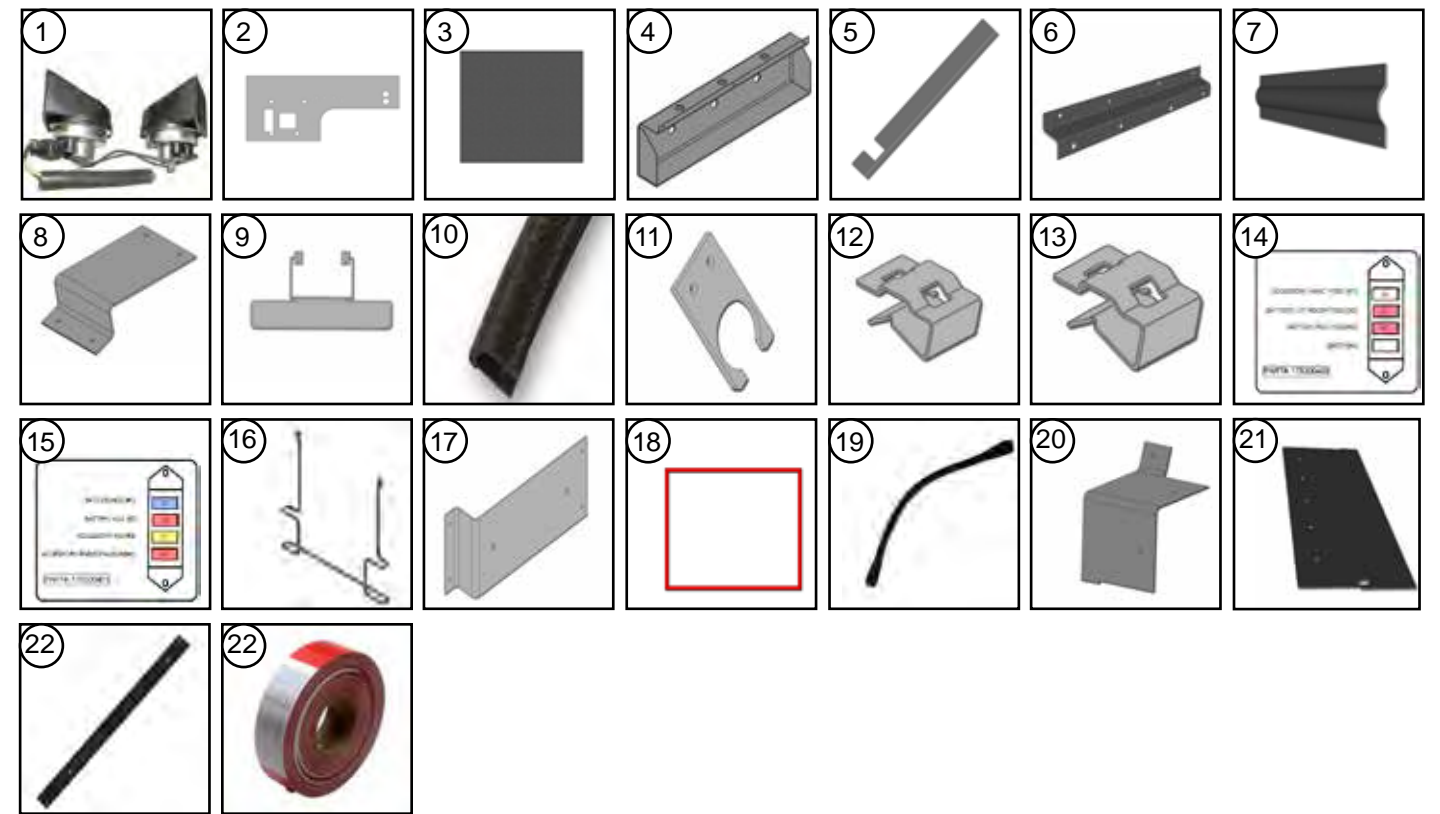
ITEM #	PART #	DESCRIPTION	QTY.	UNIT
1	<a href="#">47006169</a>	MIRROR ASSEMBLY ROADSIDE HEATED	1	EA
2	<a href="#">47006170</a>	MIRROR ASSEMBLY CURBSIDE HEATED	1	EA
3	<a href="#">47004271</a>	WET KIT FOR WIPER ARM (SPRAY NOZZLE & HOSE)	2	EA
4	<a href="#">47004272</a>	RETAINER CLIP FOR HOSE 2"	2	EA
5	<a href="#">1107122</a>	HOSE .188 ID WSW	12	FT
6	<a href="#">083055454</a>	BRACKET WIPER MOTOR	1	EA
7	<a href="#">1101694</a>	TEE WSWA U/T	1	EA
8	<a href="#">47004188</a>	WIPER SYSTEM TBLR 2 PIVOT	1	EA
10	<a href="#">47004134</a>	BLADE 24IN BLACK	1	EA
11	<a href="#">47004206</a>	ARM WSW WET 22IN RADIAL BLACK	1	EA
12	47005854	RESERVOIR W/PUMP WINDSHIELD WASHER	1	EA
13	<a href="#">155063401</a>	BRACKET MOUNTING RSVR (FILLER PLATE 138028422)	1	EA
14	<a href="#">46021115</a>	CLIP BODY LARGE PAN	1	EA
15	<a href="#">47005901</a>	NUT	2	EA
16	<a href="#">47005902</a>	PIVOT COVER	2	EA
17	<a href="#">47005903</a>	SPACER	2	EA
18	<a href="#">81600189</a>	ACORN NUT	1	EA
19	<a href="#">47005099</a>	MIRROR FRONT SIDE VIEW (MIRROR HEAD ONLY <a href="#">47006180</a> )	1	EA
20	<a href="#">47005900</a>	MOTOR FOR WIPER ASSEMBLY	2	EA



<a href="#">47005007</a>	HARDWARE KIT UPPER
<a href="#">47005069</a>	HARDWARE KIT LOWER



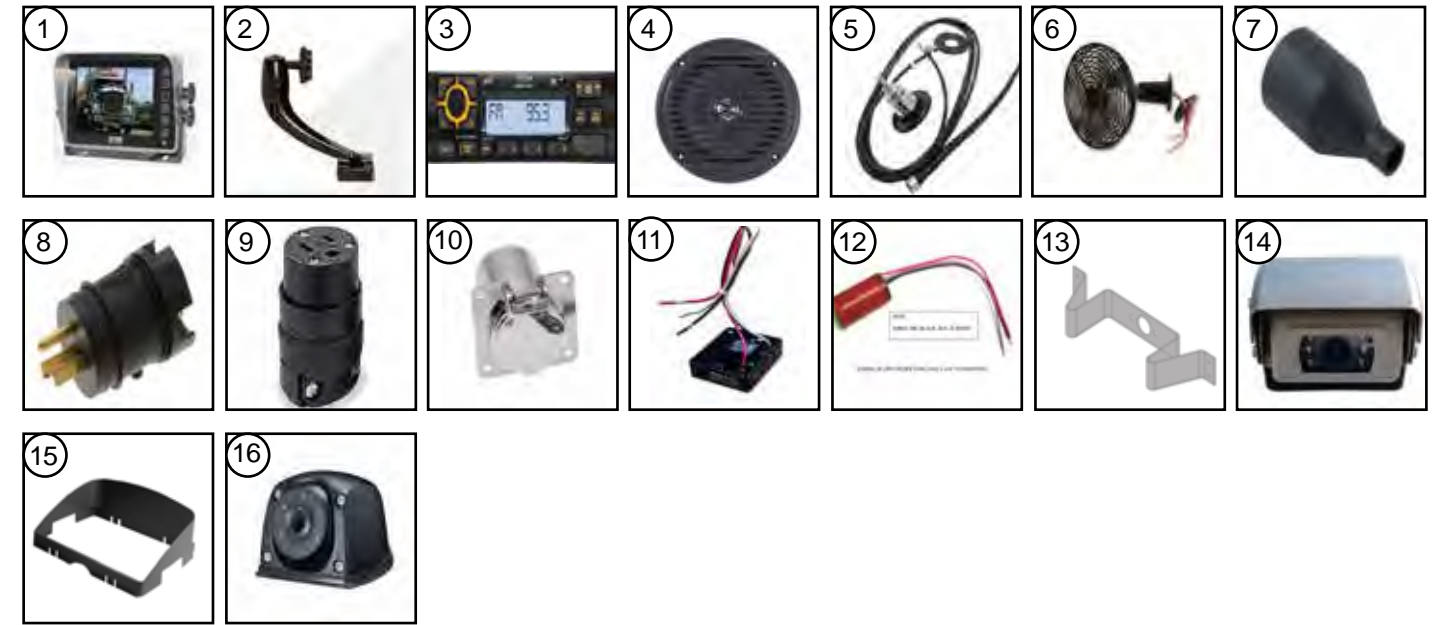
ITEM #	PART #	DESCRIPTION	QTY.	UNIT
1	<a href="#">1107324</a>	GROMMET .625X.25X0.875	1	EA
2	<a href="#">1107109</a>	GROMMET .375X.125X.625	1	EA
3	<a href="#">1107079</a>	GROMMET 1X.125X1.375	1	EA
4	<a href="#">44000052</a>	GROMMET .688X.125X1	2	EA
5	<a href="#">46004416</a>	GROMMET 1X.25X1.375	1	EA
6	<a href="#">46004403</a>	GROMMET OBLONG BLACK	2	EA
7	<a href="#">46004402</a>	GROMMET ROUND BLACK 4IN LAMP	6	EA
8	<a href="#">1107308</a>	MUD FLAP BLACK NO LOGO 20X24	1	PR
9	<a href="#">7504428</a>	RETAINER MD/FLP AL .125X1.5X20	2	EA
10	<a href="#">80795014</a>	ANGLE RETAINER AL .188X5X20	2	EA
11	<a href="#">177028400</a>	HOLDER - DVIR	1	EA
12	<a href="#">46025018</a>	REFLECTOR 2.88" AMBER	2	EA
13	<a href="#">46025017</a>	REFLECTOR 2.88" RED	4	EA
14	<a href="#">107005490</a>	ANGLE ATTACH - GRAB RAIL	1	EA
15	<a href="#">47001047</a>	GRAB RAIL POWDER COATED YELLOW	1	EA
16	<a href="#">47001084</a>	GRAB HANDLE	1	EA
17	<a href="#">90187300</a>	GRAB HANDLE	1	EA
18	<a href="#">98150310</a>	GRAB HANDLE AL 450243X26.38	1	EA
19	47009656	FIRE EXTINGUISHER 2.5 LB.	1	EA
20	<a href="#">47009547</a>	TRIANGLE KIT SAFETY	1	EA
21	<a href="#">47009548</a>	BRACKET MOUNTING TRIANGLE KIT	1	EA
22	<a href="#">47009653</a>	CENTER CONSOLE	1	EA
23	165127403	EXTENSION CENTER CONSOLE	1	EA
24	<a href="#">006526401</a>	PANEL SPLASH VINYL .125X19.25X51.6	2	EA



ITEM #	PART #	DESCRIPTION	QTY.	UNIT
1	N/A	HORN (SUPPLIED BY FORD)	1	EA
2	095116400	INSULATION DASH WALL	1	EA
3	<a href="#">47009600</a>	CARPET BULKHEAD GREY	18.5	FT
4	<a href="#">175081400</a>	GUARD LAMP REAR	2	EA
5	<a href="#">175127400</a>	GUARD WIRING @ TRANSOM	4	EA
6	<a href="#">097105454</a>	GUARD WIRING @ BULKHEAD	1	EA
7	<a href="#">03M545058</a>	STIFFENER AL 450003X33.5DLH SLIDING WINDOW	1	EA
8	<a href="#">155005420</a>	HEEL REST ALD	1	EA
9	<a href="#">47005614</a>	SUN VISOR BLACK TRAPEZE PADDED	2	EA
10	<a href="#">1129005</a>	TRIM QUICK EDGE		FT
11	<a href="#">090087401</a>	PLATE FILLER WIRING AL.102X 1.44X2.63	2	EA
12	<a href="#">46021114</a>	CLIP MEDIUM	1	EA
13	<a href="#">46021115</a>	CLIP LARGE		EA
14	175300400	LABEL FUSE BLOCK LH	1	EA
15	175300401	LABEL FUSE BLOCK RH	1	EA
16	<a href="#">47009706</a>	WIRE FRAME MUD FLAP		EA
17	165094400	BRACKET MOUNTING JUNCTION BOX REAR WIRING	4	EA
18	45200376	FRAME - AD HOLDER RED	2	EA
19	45400581	BUNGIE CORD .375 X 24" W/ CARABINER CLIPS	1	EA
20	135024409	PLATE FILLER AL .07X5.83X12.57 DLH SLIDING WINDOW	1	EA
21	083005452	PLATE FILLER AL .07X4.08X27.58 DLH SLIDING WINDOW	1	EA
22	150127459	SUPPORT WIRE RACK AL .125X2X28.5	2	EA
23	<a href="#">42005017</a>	CONSPICUITY TAPE 6"RED/6"WHITE X150' ROLL	1	RL



ITEM #	PART #	DESCRIPTION	QTY.	UNIT
1	<a href="#">4600213</a>	HEADLAMP ASSEMBLY	2	EA
2	<a href="#">4600613</a>	LAMP PARK / TURN (GROMMET - <a href="#">46004403</a> X2)	2	EA
3	<a href="#">4600222</a>	LAMP COMBO STOP / TURN / TAIL (SHOWN W/ GROMMET)	2	EA
4	<a href="#">46001440</a>	LAMP BACK UP (USE GROMMET <a href="#">46004402</a> )	2	EA
5	<a href="#">47009642</a>	LAMP CLEARANCE MARKER LED CLEAR	6	EA
6	<a href="#">46001380</a>	LAMP CLEARANCE MARKER LED RED	3	EA
7	<a href="#">46001340</a>	LAMP CLEARANCE MARKER LED RED	2	EA
8	<a href="#">46001339</a>	LAMP CLEARANCE MARKER LED AMBER	6	EA
8	<a href="#">46001382</a>	LAMP CLEARANCE MARKER SIDE LED AMBER	2	EA
8	<a href="#">46001362</a>	LAMP CLEARANCE MARKER LED AMBER	1	EA
9	<a href="#">46002427</a>	LAMP CLEAR STEPWELL	1	EA
10	<a href="#">46002650</a>	LAMP DOME LED CAB (MOUNTING BRACKET - <a href="#">100092400</a> )	1	EA
11	<a href="#">46002638</a>	LAMP DOME CARGO (BRACKET - 100092401)	2	EA
12	<a href="#">46025305</a>	SWITCH MAGNETIC REED NORMALLY OPEN	1	EA
13	<a href="#">46023508</a>	SWITCH ROCKER DOME CAB SPST ON-OFF	1	EA
14	<a href="#">46023603</a>	SWITCH ROCKER DOME CARGO SPDT ON-ON	1	EA
15	<a href="#">46023511</a>	SWITCH ROCKER DOOR UNLOCK SPST	1	EA
16	<a href="#">46029061</a>	SWITCH ROCKER DASH FAN SPDT ON-OFF-ON	1	EA
17	<a href="#">46023611</a>	SWITCH ROCKER BASE ONLY SPDT ON-ON	1	EA
18	<a href="#">46023618</a>	SWITCH ACTUATOR ONLY HEATED MIRRORS	1	EA
19	<a href="#">46024701</a>	LAMP / ALARM / BUZZER - SEATBELT	1	EA
20	<a href="#">45200256</a>	LABEL - SEAT BELT ALARM	1	EA
21			1	EA



ITEM #	PART #	DESCRIPTION	QTY.	UNIT
1	48200164	MONITOR DISPLAY BACK UP CAMERA	1	EA
2	48200193	MONITOR MOUNTING BRACKET	1	EA
3	46025594	RADIO AM/FM/WB/RBDS	1	EA
4	46025590	SPEAKERS 6.5" BLACK	2	EA
5	46025559	ANTENNA TOP/SIDE MOUNT	1	EA
6	46030011	FAN 2 SPEED 270 CFM	1	EA
7	46027623	BOOT E/BLK HTR WP CHR M RECEPT	1	EA
8	46027624	PLUG 5-15 E/BLK HTR WP CHR M	1	EA
9	46027625	RECEPT 5-15 FLEX CBL BLK	1	EA
10	46027377	RECEPTICLE CHROME FOR BLANKET HEATER CRD	1	EA
11	46032312	TIMER 30 MIN 10A W/O RELAY	1	EA
12	46032336	TIMER 20SEC 10A MAX (SUPPLIED BY FORD)	1	EA
13	140092402	GUARD CAMERA REAR AL .102X1.56X19.24	1	EA
14	48200191	CAMERA BACK UP REAR	1	EA
15	48200192	SUN VISOR FOR MONITOR	1	EA
16	48200166	CAMERA BLIND SPOT	1	EA
17				EA
18				
19				
20				



Size	Description	Thread	Lengths														
			.62	3/4"	1"	1-1/4"	1-1/2"	1-3/4"	2"	2-1/2"	3"	3-1/4"	4"				
1/4" Hex Cap Screw	GR5 ZC/RO	20															
1/4" Hex Cap Screw	GR5 ZC/RoHS	20		<a href="#">85743007</a>	<a href="#">1101688</a>		<a href="#">1117009</a>										
1/4" Hex Cap Screw	18-8 Stainless	20		<a href="#">1117816</a>	<a href="#">85743006</a>	<a href="#">1117010</a>						<a href="#">1117818</a>					
1/4" Hex Cap Screw	ASTM F593C	20			<a href="#">1117819</a>												
5/16" Hex Cap Screw	18-8 Stainless	18				<a href="#">1117804</a>											<a href="#">40300737</a>
5/16" Hex Cap Screw	GR8 ZC/Y	18			<a href="#">1117045</a>												
5/16" Hex Cap Screw	ASTM F593	18			<a href="#">1117803</a>			<a href="#">1117059</a>									
5/16" Hex Cap Screw	GR5 ZC/R	16				<a href="#">1117837</a>		<a href="#">1117049</a>									
3/8" Hex Cap Screw	GR8 ZC/Y	18						<a href="#">1117055</a>									
3/8" Hex Cap Screw	GR8 ZC/Y	16			<a href="#">1117843</a>												
3/8" Hex Cap Screw	GR5 ZC/RO	16							<a href="#">1117097</a>			<a href="#">051166</a>				<a href="#">1117000</a>	
3/8" Hex Cap Screw	GR5 ZC/RoHS	16	<a href="#">40300056</a>	<a href="#">40300054</a>						<a href="#">40300058</a>		<a href="#">40300813</a>	<a href="#">1117040</a>				<a href="#">1117099</a>
3/8" Hex Cap Screw	ASTM F593C	16						<a href="#">1117805</a>									
7/16" Hex Cap Screw	GR8 ZC/Y	20						<a href="#">1217000</a>									
1/2" Hex Cap Screw	GR5 ZC/RoHS	13															
1/2" Hex Cap Screw	GR5 ZC/RO	13				<a href="#">1117121</a>							<a href="#">1117050</a>	<a href="#">1117051</a>			<a href="#">1117035</a>
1/2" Hex Cap Screw	GR5 ZC/RoHS	13							<a href="#">1117043</a>	<a href="#">1117124</a>							
1/2" Hex Cap Screw	GR5 ZC	13						<a href="#">1117036</a>									
5/8" Hex Cap Screw	GR5	11															<a href="#">40300259</a>

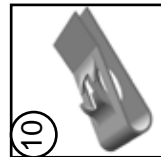
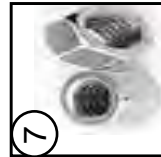
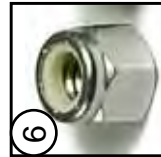
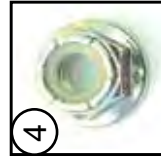
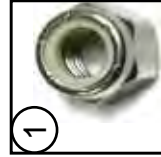
	<b>Grade 8</b> Medium Carbon Alloy Steel
	<b>Grade 5</b> Medium Carbon Steel
	<b>Grade 2</b> Low or Medium Carbon Steel

ZC	Zinc Coated
ZP	Zinc Plated
Y	Yellow
GR	Grade
RoHS	AS9100C ISO 9001:2008
ASTM F593C	American Standards Measurements Specifications

Genuine OEM Parts

1.800.233.4823

www.morganolsonparts.com



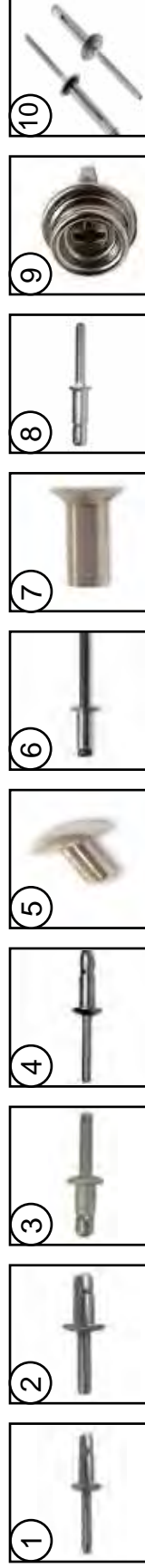
ZP - ZINC PLATED

Standard	Thread	FIG.	#8	#10	DIA.												
					1/4"	5/16	3/8"	.44	1/2"								
NYLON LOCKING NUT, HEX	32	1		<a href="#">052266</a>													
NUT "U" SPRING .115 TO .125 PANEL	10-24	10		<a href="#">40301303</a>													
NYLON LOCKING NUT, HEX ZP	24	3		<a href="#">1117307</a>													
NYLON LOCKING NUT, HEX ZP	20	3			<a href="#">1117310</a>												
NYLON LOCKING NUT, HEX ZP	18	3				<a href="#">1117838</a>											
NYLON LOCKING NUT, HEX ZP	16	3					<a href="#">1117344</a>										
LOCKING NUT HEX FLANGE .44-20 OVAL	20	4										<a href="#">1217003</a>					
NUTSERT EXPANDING NYL .275 SQ	20	5		<a href="#">40900006</a>													
NUT NON LOCKING	24	2		<a href="#">1117303</a>													
NUT NON LOCKING	20	2			<a href="#">1117312</a>												
NUT NON LOCKING	16	2										<a href="#">1117316</a>					
<b>GRADE 5</b>																	
NUT STL LK LRG FLG GD5 .31-18	18	4								<a href="#">40100560</a>							
NUT STL HEX LK B ZP .5 -13 GR 5	13	1														<a href="#">1117283</a>	
<b>18-8 Stainless</b>																	
NUT SS LOCKING	32	3	<a href="#">1117347</a>	<a href="#">1117699</a>													
NUT SS LOCKING	24	6		<a href="#">1103354</a>													
NUT SS LOCKING	20	6			<a href="#">1117336</a>												
NUT SS NON LOCKING	20	7			<a href="#">40100044</a>												
NUT SS ACORN LOW CROWN	20	8		<a href="#">40100061</a>													
<b>Specialty</b>																	
CHANNEL NUT WITH SPRING 1/4-20	20	9								<a href="#">4700988</a>							
CHANNEL NUT WITH SPRING 3/8-16	16	9									<a href="#">47001001</a>						

Genuine OEM Parts

1.800.233.4823

www.morganolsonparts.com

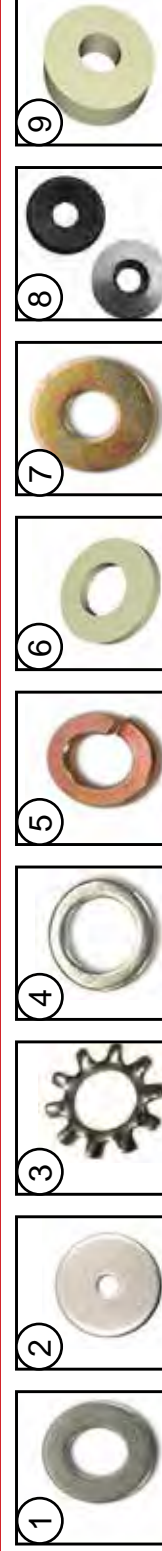


		Length													
	MAGNA LOCK	Diameter	Fig.	.25	.312	.375	.438	.44	.5	.562	.625	.687	.75	.875	1"
	HUCK R6-4	.188	1	<a href="#">1117084</a>	<a href="#">1117061</a>										
	HUCK R8-6	.25	2	<a href="#">1117087</a>											
	PROTRUDING HEAD	.25	3		<a href="#">40200304</a>			<a href="#">40200634</a>			<a href="#">40200303</a>				
	FLUSH HEAD B6-4	.25	4						<a href="#">40200630</a>						
	RIV AL BRAIZER HEAD	.125	5	<a href="#">1117402</a>	<a href="#">1117404</a>	<a href="#">1117405</a>			<a href="#">1117406</a>						
	RIV AL BRAIZER HEAD	.188	5	<a href="#">1117351</a>	<a href="#">1117353</a>	<a href="#">1117355</a>			<a href="#">1117357</a>	<a href="#">1117359</a>	<a href="#">1117361</a>	<a href="#">1117363</a>	<a href="#">1117365</a>	<a href="#">1117368</a>	
	RIV AL BRAIZER HEAD	.25	5						<a href="#">1117380</a>	<a href="#">1117385</a>	<a href="#">1117382</a>		<a href="#">1117386</a>		<a href="#">1117395</a>
	RIV AL BRAIZER HEAD MOD	.25	5		<a href="#">40200213</a>			<a href="#">40200214</a>	<a href="#">1117409</a>	<a href="#">1117410</a>		<a href="#">1117408</a>		<a href="#">1117390</a>	
	RIV AL FLAT HEAD	.125	7			<a href="#">85780100</a>									
	RIV AL FLAT HEAD	.188	7		<a href="#">1117434</a>				<a href="#">1117438</a>		<a href="#">1117440</a>	<a href="#">1117442</a>			
		.25	7												
	RIV AL POP	.125	10	<a href="#">1117464</a>											
	RIV AL POP #10	.406	10	<a href="#">1117456</a>											
	RIV AL POP AD 66 BS		10			<a href="#">1117457</a>									
	RIV AL POP AD 68 BS								<a href="#">1117458</a>						
	RIV AL POP AD 610 BS									<a href="#">1117459</a>					
	POP AL OPEN END BLIND	.125	6		<a href="#">1117421</a>										
	POP AL OPEN END BLIND	.188	6	<a href="#">1117456</a>							<a href="#">1117459</a>				
	POP CLSD BLACK		8						<a href="#">40200629</a>						
	SNAP FASTNER		9						<a href="#">40900925</a>						
	BULB TYPE BLIND w/WASHER	.188	10		<a href="#">40200621</a>				<a href="#">40200501</a>						

Genuine OEM Parts

1.800.233.4823

www.morganolsonparts.com



Standard	I/D	FIG.	3/8	1/2	9/16	5/8	3/4"	7/8	1"	1-1/4"	1-3/4"
#10 TYPE B FLAT WASHER ZINC/ROHS	.190	1			<a href="#">1117929</a>						
#10 X 1 FENDER WASHER ZC	.190	2							<a href="#">1117950</a>		
#10 EXTERNAL TOOTH LW ZC	.190	3	<a href="#">1117971</a>								
1/4 EXTERNAL TOOTH LW ZC	1/4	3		<a href="#">1117975</a>							
1/4 TYPE B NARROW FLAT WASHER	1/4	4			<a href="#">1117941</a>						
1/4 USS FLAT WASHER ZC/ROHS	1/4	1					<a href="#">1117953</a>			<a href="#">40300918</a>	
1/4 F436 (A325) FLAT WASHER ZC/ROHS	1/4	1				<a href="#">40000047</a>					
FLAT WASHER .060 THICK ZC/RO	1/4	1							<a href="#">1117952</a>		
1/4 USS FLAT WASHER	1/4	1		<a href="#">1117885</a>							
5/16 SPLIT LOCK WASHER ZC/ROHS	5/16	5	<a href="#">1117965</a>								
5/16 USS FLAT WASHER ZC/ROHS	5/16	1						<a href="#">1117955</a>			
3/8 USS FLAT WASHER ZC/ROHS	3/8	1						<a href="#">1117957</a>			
3/8 X 1 FLAT WASHER 1/4 THK NYLON	3/8	6						<a href="#">40000038</a>			
1/2 TYPE B REGULAR FLAT WASHER	1/2	1							<a href="#">40000050</a>		
1/2 TYPE B REGULAR FLAT WASHER ZC	1/2	1								<a href="#">1117945</a>	
1/2 TYPE B WIDE FLAT WASHER ZC/ROHS	1/2	1									<a href="#">1117959</a>
<b>Grade 8</b>											
1/4 FLAT WASHER GR 8 ZC/Y	1/4	7					<a href="#">85761003</a>				
5/16 FLAT WASHER GR 8 ZC/Y	5/16	7						<a href="#">1117937</a>			
3/8 FLAT WASHER GR 8 ZC/Y	3/8	7					<a href="#">40000046</a>		<a href="#">1117947</a>		
7/16 FLAT WASHER GR 8 ZC/Y	7/16	7								<a href="#">1217002</a>	
1/2 FLAT WASHER GR 8 ZC/Y	1/2	7							<a href="#">1117943</a>	<a href="#">1217002</a>	
<b>Stainless 18-8</b>											
#10 X 5/8 BONDED SEALER 18-8 SS	.190	8	<a href="#">85761250</a>								
1/4 X 5/8 BONDED SEALER 18-8 SS	1/4	8				<a href="#">40000053</a>					
3/8 X 3/4 BONDED SEALER 18-8 SS	3/8	8				<a href="#">40000051</a>					
3/8 X 1" BONDED SEALER 18-8 SS	3/8	8					<a href="#">40000054</a>				
1/4 EXTERNAL TOOTH SS LW ZC	1/4	3		<a href="#">40000510</a>					<a href="#">40000055</a>		
<b>Specialty</b>											
WASHER NYLON .13 X .62 ID X 1.38OD	5/8	9									<a href="#">137147429</a>

Genuine OEM Parts

1.800.233.4823

www.morganolsonparts.com



	Diameter	Fig.	Length																	
			.5	.625	.75	.875	1"	1-1/4"	1-1/2"	2-1/4"	2-1/2"	3"								
<b>18-8 Stainless</b>																				
PHILLIPS TRUSS M/S 18-8 SS	8 - 32	1	1117716																	
PHILLIPS TRUSS M/S 18-8 SS	10 - 24	1	1117814	40300498																
PHILLIPS TRUSS M/S 18-8 SS	1/4 - 20	1	1117857	1117784											40300453	40300454				
PHILLIPS TRUSS M/S 18-8 SS	5/16 - 18	1		1117928																
PHILLIPS FLAT M/S 18-8 SS	10 - 32	2								1117830	1117900									
PHILLIPS FLAT M/S 18-8 SS	10 - 24	2		1117786						40300510										
PHILLIPS FLAT M/S 18-8 SS	1/4 - 20	2			40300809					1117782	40300634				40300630	40300631				40300638
PHILLIPS FLAT M/S 18-8 SS	3/8 - 16	2																		
PHILLIPS ROUND M/S 18-8 SS	10 - 24	6			1117209											1117789				
6 LOBE PAN T/C M/S 18-8 SS	1/4 - 20	9								1117815						40300309				
<b>Standard Steel RoHS</b>																				
PHILLIPS ROUND M/S ZC/ROHS	8 - 32	6																		
PHILLIPS PAN TEKS/3 ZC/ROHS	10 - 16	5			1117674															
PHILLIPS TRUSS M/S ZC/ROHS	10 - 24	1																		1117793
PHILLIPS TRUSS M/S ZC/ROHS	10 - 32	1	1117723																	
<b>T/C - Thread Cutting</b>																				
PHIL PAN T/S TYPE A ZC	10	8																		
PHIL TRUSS T/S TYPE A BLK	10	4																		
PHIL PAN T/S TYPE A BLK	10	7																		
PHIL PAN T/S TYPE A ZC	12	8																		
6 LOBE PAN T/C	1/4 - 20	9			85743152															



T/C Thread Cutting 6 Lobe Type A

Genuine OEM Parts

1.800.233.4823

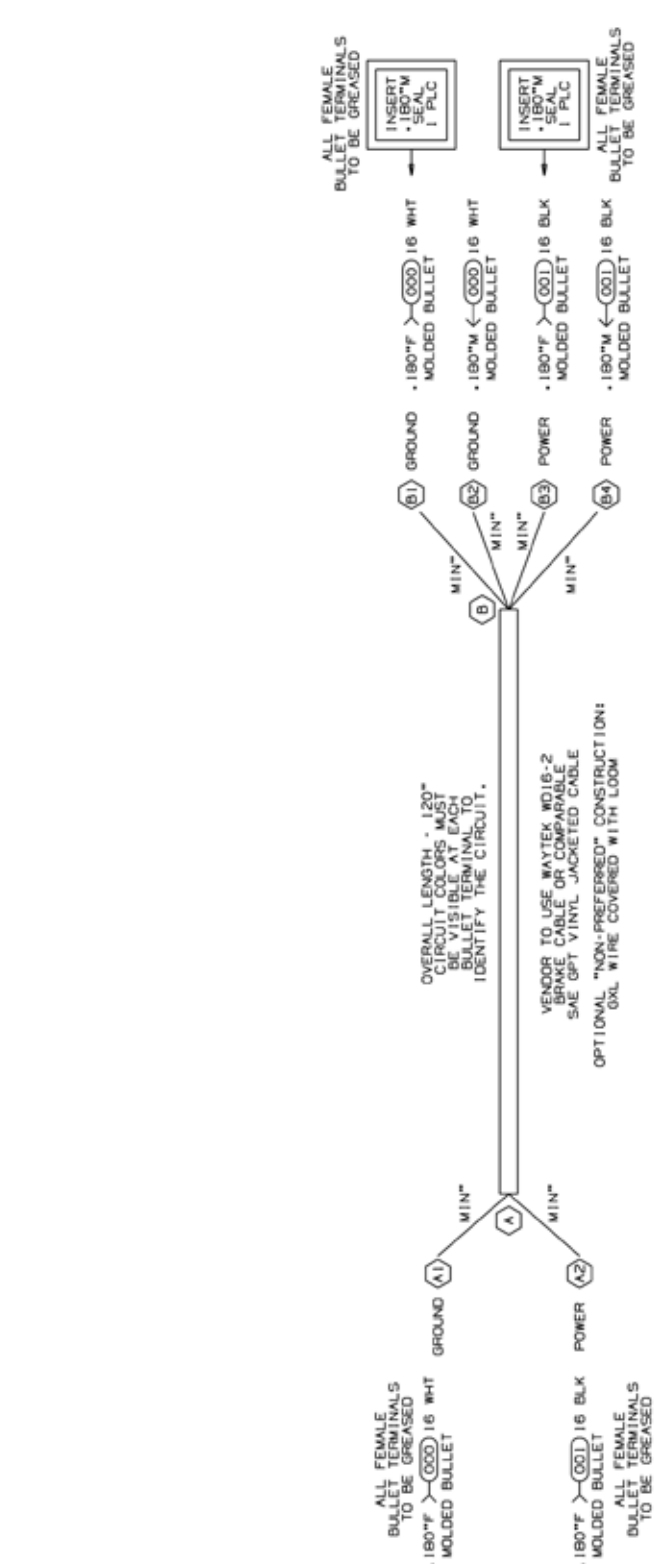
www.morganolsonparts.com

PAGE #	PART #	DESCRIPTION	QTY.	UNIT
48	007388322	HARNESS JUMPER Y 2WR P&P X120	1	EA
49	007388323	HARNESS JUMPER Y 2WR P&P X36	1	EA
50	082091200	HARNESS POWER OPTION FROM BATTERY	1	EA
51	090051201	HARNESS HEATED MIRROR	1	EA
52	090093202	HARNESS JUMPER CARGO DOME LAMP	2	EA
53	092094203	HARNESS POWER KEYLESS	1	EA
54	120088201	HARNESS JUMPER 72" 1W (2) .180M BLLT	1	EA
55	132092202	HARNESS SEAT BELT BUZZER	1	EA
56	137392203	HARNESS JUMPER STEP WELL LAMP	1	EA
57	155084203	HARNESS SWITCH RADIO OFF REVERSE	1	EA
58	157388200	HARNESS JUMPER CHSML	1	EA
59	162088201	HARNESS JUMPER AUXILERY ACCESSORY	1	EA
60-63	165084202	HARNESS INSTRUMENT PANEL	1	EA
64-65	167086202	HARNESS REAR WIRING	1	EA
66	167093200	HARNESS ROOF	1	EA
67	167094202	HARNESS KEYLESS ROOF to NOSE	1	EA
68	167094203	HARNESS KEYLESS ROOF	1	EA
69	167094204	HARNESS JUMPER REAR DOOR SWITCH	2	EA
70	167094205	HARNESS KEYLESS ROOF Y	1	EA
71	167094206	HARNESS KEYLESS DASH	1	EA
72-74	167391200	HARNESS ROOF / NOSE 85H	1	EA
75	192111200	HARNESS ASSEMBLY EXTENSION CORD 25' 120V	1	EA
76-79	197084211	HARNESS CHASSIS INTERFACE E-SERIES	1	EA
80	205063200	HARNESS WASHER BOTTLE PIGTAIL	1	EA
81	205085201	HARNESS LED E-SERIES 2020	1	EA
82-83	205088202	HARNESS WIPER	1	EA
84	215088200	HARNESS REAR BACKUP JUMPER	1	EA
85	46025591	HARNESS SPEAKER	1	EA
86	88117437	HARNESS JUMPER TEE	1	EA



DRAWING NO.	REV	SHT
007388322		LOFL
DESCRIPTION		
RELEASE TO PRODUCTION		

CIRCUIT	DESCRIPTION	END POINTS	FUNCTION
000	16 WHT	A1, B1, B2	GROUND
001	16 BLK	A2, B3, B4	POWER



- VENDOR MAY REPLACE PIGTAILS WITH WIRING TO APPROVED MOLDS OR CONNECTORS. PIGTAILS SHOWN IN TERMINAL VIEW.
- HARNESS TO BE TESTED FOR CONTENTS, SHORTS, AND CONTINUITY.
- CONNECTORS SHOWN FROM WIRE ENTRY SIDE, UNLESS OTHERWISE NOTED.
- SPLICES TO BE AUTOMATED WITH HEAT SHRINK TUBING. HEAT SHRINK BUTT SPLICES ARE ACCEPTABLE FOR M-O FABRICATION IF NECESSARY.
- TAPE [|||||098|]: 6" AT ENDS.
- BREAKOUTS AND 2" AT LOOM ENDS.
- HARNESS TO HAVE A LABEL SHOWING MORGAN POLSON PART NUMBER, REVISION LEVEL, AND DATE OF MANUFACTURE.
- SPLIT POLY LOOM UNLESS JACKETED CABLE IS USED.
- JACKETED CABLE AS NOTED.

**PROPRIETARY**

**MORGAN POLSON**

REVISIONS

REV	DESCRIPTION	DATE
01	ISSUE	07-07-13
02	REVISED TO ADD 16 BLK WIRE TO POWER	07-07-13
03	REVISED TO ADD 16 WHT WIRE TO GROUND	07-07-13
04	REVISED TO ADD 16 WHT WIRE TO GROUND	07-07-13
05	REVISED TO ADD 16 WHT WIRE TO GROUND	07-07-13
06	REVISED TO ADD 16 WHT WIRE TO GROUND	07-07-13
07	REVISED TO ADD 16 WHT WIRE TO GROUND	07-07-13
08	REVISED TO ADD 16 WHT WIRE TO GROUND	07-07-13
09	REVISED TO ADD 16 WHT WIRE TO GROUND	07-07-13
10	REVISED TO ADD 16 WHT WIRE TO GROUND	07-07-13

DO NOT SCALE

HARNESS JUMPER 120" ZW "Y" (180" TO 180" / 180" EACH CKT)

DATE: 08-JUL-07

TIME: 07:07:43

SCALE: NONE

DRAWING NO: 007388322

**HARNESS AND LOOM TOLERANCES**

UP TO 60" : -0/+2"  
 60" TO 100" : -0/+4"  
 100" TO 200" : -0/+5"  
 200" TO 400" : -0/+6"  
 400" TO 600" : -0/+7"  
 OVER 600" : -0/+8"

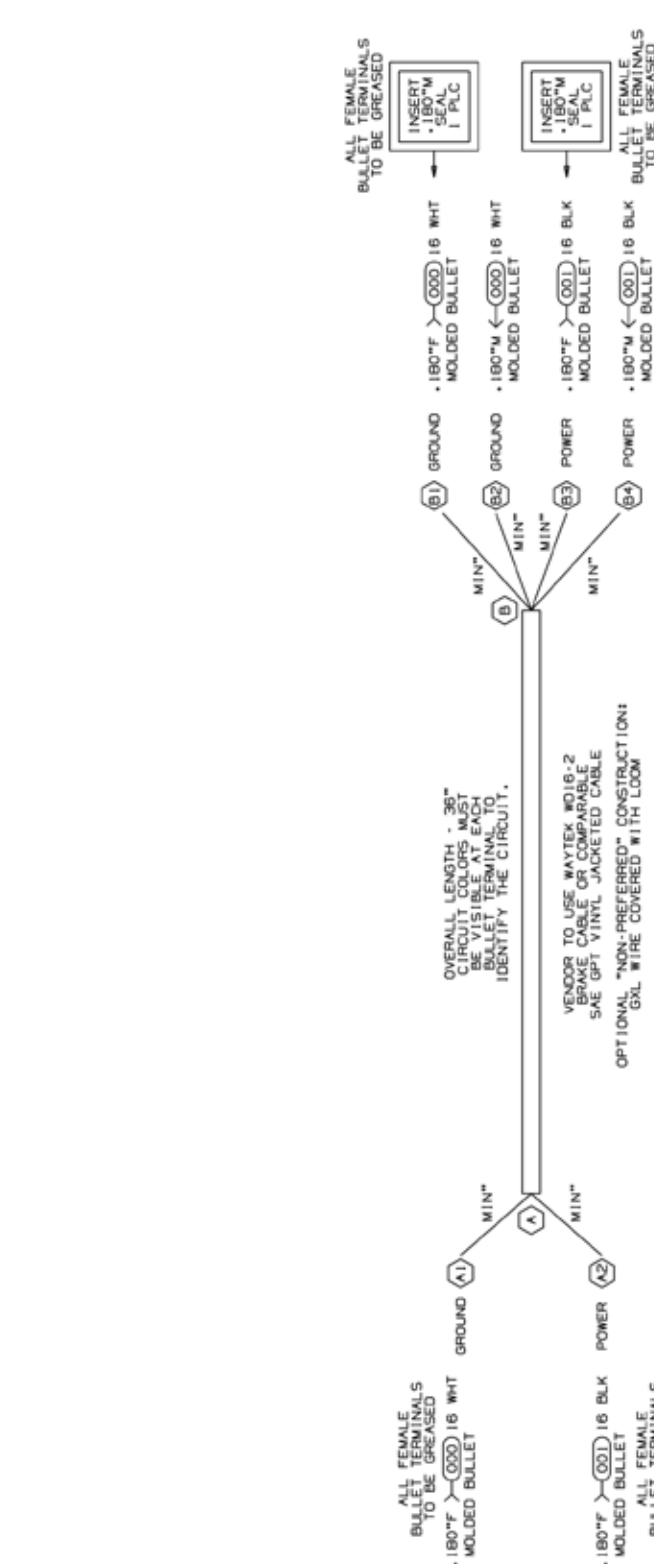
BO TO BO : -0/+2"

TO TOLERANCE IS NOT LENGTH ACCUMULATIVE. APPLIES TO OVERALL HARNESS LENGTH, BREAKOUT TO END, OR LOOM.

FIRST USE: SLICE MARKER CURBSIDE MID-BODY MARKER

DRAWING NO.	REV	SHT
007388323		LOFL
DESCRIPTION		
RELEASE TO PRODUCTION		

CIRCUIT	DESCRIPTION	END POINTS	FUNCTION
000	16 WHT	A1, B1, B2	GROUND
001	16 BLK	A2, B3, B4	POWER



- VENDOR MAY REPLACE PIGTAILS WITH WIRING TO APPROVED MOLDS OR CONNECTORS. PIGTAILS SHOWN IN TERMINAL VIEW.
- HARNESS TO BE TESTED FOR CONTENT, SHORTS, AND CONTINUITY.
- CONNECTORS SHOWN FROM WIRE ENTRY SIDE, UNLESS OTHERWISE NOTED.
- SPLICES TO BE AUTOMATED WITH HEAT SHRINK TUBING. HEAT SHRINK BUTT SPLICES ARE ACCEPTABLE FOR M-O FABRICATION IF NECESSARY.
- TAPE [|||||098|]: 6" AT ENDS.
- BREAKOUTS AND 2" AT LOOM ENDS.
- HARNESS TO HAVE A LABEL SHOWING MORGAN POLSON PART NUMBER, REVISION LEVEL, AND DATE OF MANUFACTURE.
- SPLIT POLY LOOM UNLESS JACKETED CABLE IS USED.
- JACKETED CABLE AS NOTED.

**PROPRIETARY**

**MORGAN POLSON**

REVISIONS

REV	DESCRIPTION	DATE
01	ISSUE	07-07-13
02	REVISED TO ADD 16 BLK WIRE TO POWER	07-07-13
03	REVISED TO ADD 16 WHT WIRE TO GROUND	07-07-13
04	REVISED TO ADD 16 WHT WIRE TO GROUND	07-07-13
05	REVISED TO ADD 16 WHT WIRE TO GROUND	07-07-13
06	REVISED TO ADD 16 WHT WIRE TO GROUND	07-07-13
07	REVISED TO ADD 16 WHT WIRE TO GROUND	07-07-13
08	REVISED TO ADD 16 WHT WIRE TO GROUND	07-07-13
09	REVISED TO ADD 16 WHT WIRE TO GROUND	07-07-13
10	REVISED TO ADD 16 WHT WIRE TO GROUND	07-07-13

DO NOT SCALE

HARNESS JUMPER 36" ZW "Y" (180" TO 180" / 180" EACH CKT)

DATE: 07-10-02

SCALE: NONE

DRAWING NO: 007388323

**HARNESS AND LOOM TOLERANCES**

UP TO 60" : -0/+2"  
 60" TO 100" : -0/+4"  
 100" TO 200" : -0/+5"  
 200" TO 400" : -0/+6"  
 400" TO 600" : -0/+7"  
 OVER 600" : -0/+8"

BO TO BO : -0/+2"

TO TOLERANCE IS NOT LENGTH ACCUMULATIVE. APPLIES TO OVERALL HARNESS LENGTH, BREAKOUT TO END, OR LOOM.

FIRST USE: SLICE MARKER CURBSIDE MID-BODY MARKER

DRAWING NO.	082091200	SHT	1 OF 1
REV.			
DESCRIPTION			
RELEASE FOR PRODUCTION			

10. SEALED CONNECTORS AS NOTED TO BE GREASED WITH TRUCK-LITE NYK-77 CORROSION PREVENTATIVE COMPOUND OR EQUIV.
9. THIS IS A PURCHASED HARNESS. NO BILL OF MATERIAL EXISTS.
8. VENDOR TO REPLACE PIGTAILS WITH WIRING TO APPROVED MOULDINGS OR CONNECTORS. PIGTAILS SHOWN IN TERMINAL VIEW. VENDOR PART NUMBER SHOWN FOR REFERENCE ONLY.
7. HARNESS TO BE TESTED FOR CONTENT, OPENS, SHORTS, AND CONTINUITY.
6. CONNECTORS SHOWN FROM REVERSE SIDE UNLESS OTHERWISE NOTED.
5. SPLICES TO BE AUTOMATED WITH HEAT SHRINK TUBING.
4. TAPE [1111098] 6" AT ENDS.
3. HARNESS TO HAVE A LABEL PART NUMBER REVISION LEVEL AND DATE OF MANUFACTURE.
2. SPLIT POLY LOOM UNLESS OTHERWISE NOTED.
1. GAL WIRE.

NOTES:

**PROPRIETARY**

**MORGAN MOLSON**

GENERAL TOLERANCES UNLESS SPECIFICALLY NOTED:

1. DIMENSIONS	± 0.005
2. HOLE DIMENSIONS	± 0.005
3. HOLE LOCATIONS	± 0.005
4. HOLE DIA. TOLERANCE	± 0.005
5. HOLE DIA. LOCATION	± 0.005
6. HOLE DIA. LOCATION	± 0.005
7. HOLE DIA. LOCATION	± 0.005
8. HOLE DIA. LOCATION	± 0.005
9. HOLE DIA. LOCATION	± 0.005
10. HOLE DIA. LOCATION	± 0.005

HARN-PMW, OPTION, FROM BATT, NONE

SHT 1 OF 1

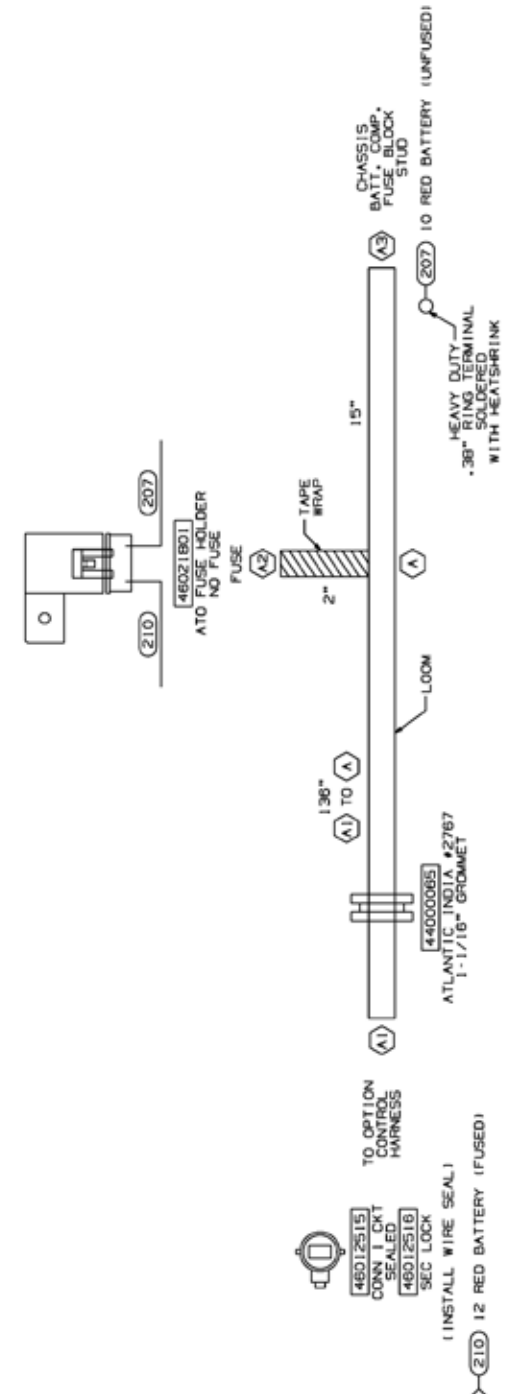
082091200

BASED ON: 074083201

HARNES AND LOOM TOLERANCES

UP TO 60" : -0/+2"  
60" TO 100" : -0/+4"  
100" TO 200" : -0/+8"  
200" TO 400" : -0/+8"  
400" TO 600" : -0/+8"  
60 TO 80 : -0/+2"

TOLERANCE IS NOT LENGTH AND IS TO GENERAL BREAKOUT TO END, OR LOOM.



CIRCUIT	GAUGE/COLOR	END POINTS	FUNCTION
207	10 RED	A2, A3	BATTERY (UNFUSED)
210	12 RED	A1, A2	BATTERY (FUSED)

DRAWING NO.	090051201	SHT	1 OF 1
REV.			
DESCRIPTION			
RELEASE FOR PRODUCTION			

10. VENDOR TO GREASE FEMALE BULLET TERMINALS.
9. THIS IS A PURCHASED HARNESS. NO BILL OF MATERIAL EXISTS.
8. VENDOR MAY REPLACE PIGTAILS WITH WIRING TO APPROVED MOULDINGS OR CONNECTORS. PIGTAILS SHOWN IN TERMINAL VIEW.
7. HARNESS TO BE TESTED FOR CONTENT, OPENS, SHORTS, AND CONTINUITY.
6. CONNECTORS SHOWN FROM WIRE ENTRY SIDE UNLESS OTHERWISE NOTED.
5. SPLICES TO BE AUTOMATED WITH SOLDER AND ADHESIVE LINED HEAT SHRINK TUBING.
4. TAPE [1111098] 6" AT BREAKOUTS, 2" AT 18" INTERVALS FOR UNINTERUP- TIONS. LOOM LENGTHS GREATER THAN 24" AND 2" AT LOOM ENDS.
3. HARNESS TO HAVE A LABEL PART NUMBER REVISION LEVEL AND DATE OF MANUFACTURE.
2. SPLIT POLY LOOM UNLESS OTHERWISE NOTED.
1. GAL WIRE.

NOTES:

**PROPRIETARY**

**MORGAN MOLSON**

GENERAL TOLERANCES UNLESS SPECIFICALLY NOTED:

1. DIMENSIONS	± 0.005
2. HOLE DIMENSIONS	± 0.005
3. HOLE LOCATIONS	± 0.005
4. HOLE DIA. TOLERANCE	± 0.005
5. HOLE DIA. LOCATION	± 0.005
6. HOLE DIA. LOCATION	± 0.005
7. HOLE DIA. LOCATION	± 0.005
8. HOLE DIA. LOCATION	± 0.005
9. HOLE DIA. LOCATION	± 0.005
10. HOLE DIA. LOCATION	± 0.005

HARN-HEATED MIRRORS WITH ROCKER SWITCH DO NOT SCALE

SHT 1 OF 1

090051201

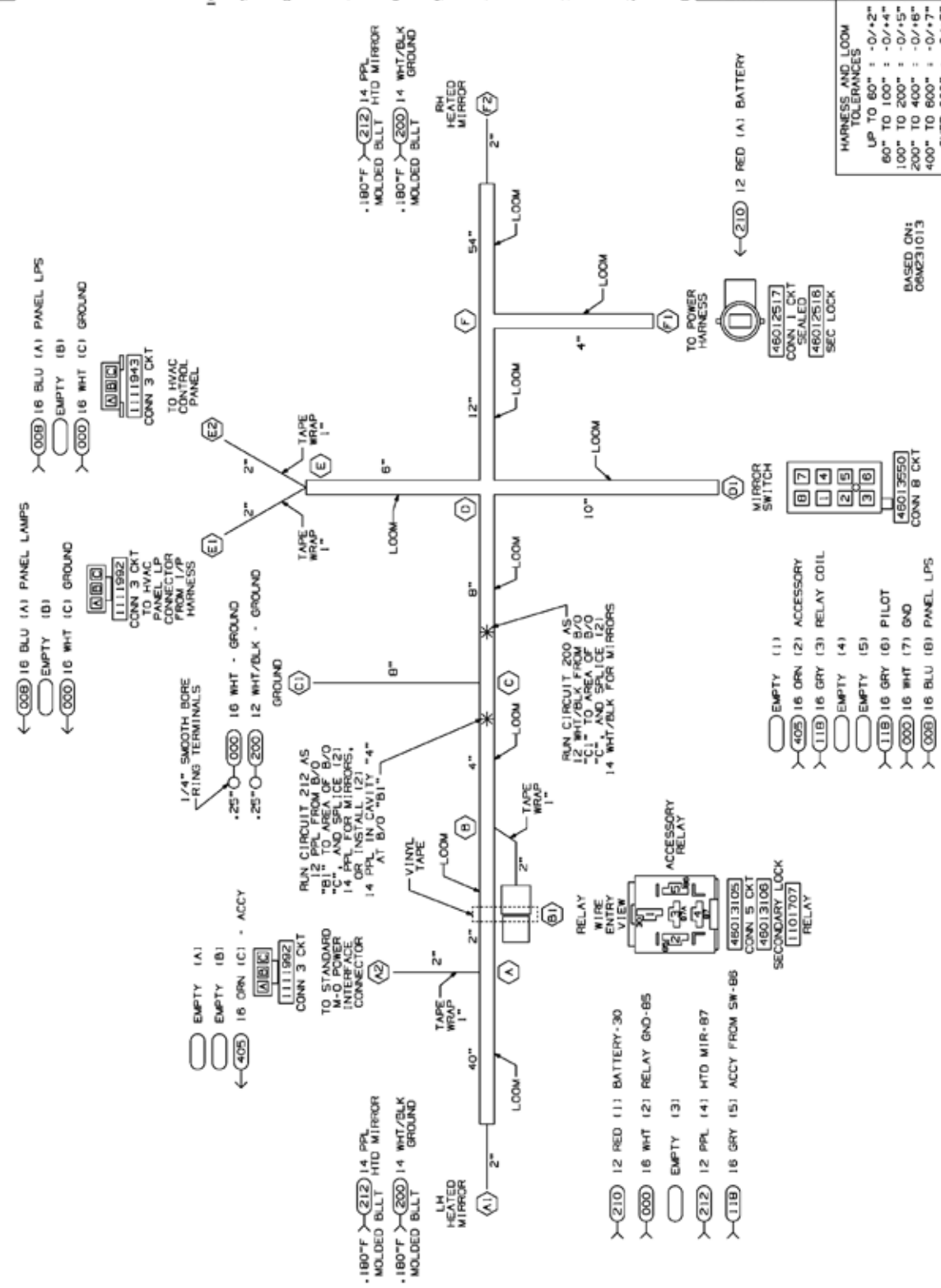
BASED ON: 08231013

HARNES AND LOOM TOLERANCES

UP TO 60" : -0/+2"  
60" TO 100" : -0/+4"  
100" TO 200" : -0/+8"  
200" TO 400" : -0/+8"  
400" TO 600" : -0/+8"  
60 TO 80 : -0/+2"

TOLERANCE IS NOT LENGTH AND IS TO GENERAL BREAKOUT TO END, OR LOOM.

CIRCUIT	DESCRIPTION	END POINTS	FUNCTION
000	16 WHT	B1, C1, D1, E1, E2	GROUND
008	16 BLU	D1, E1, E2	PANEL LAMPS
118	16 GRN	D1, E1, E2	SWITCHED ACCY
200	12/14 WHT/BLK	A1, C1, F2	GROUND - MIRRORS
210	12 RED	B1, F1	FUSED FEED FROM BATTERY
212	12/14 PPL	A1, B1, F2	RELAY OUTPUT TO MIRRORS
405	16 GRN	A2, D1	ACCESSORY CIRCUIT



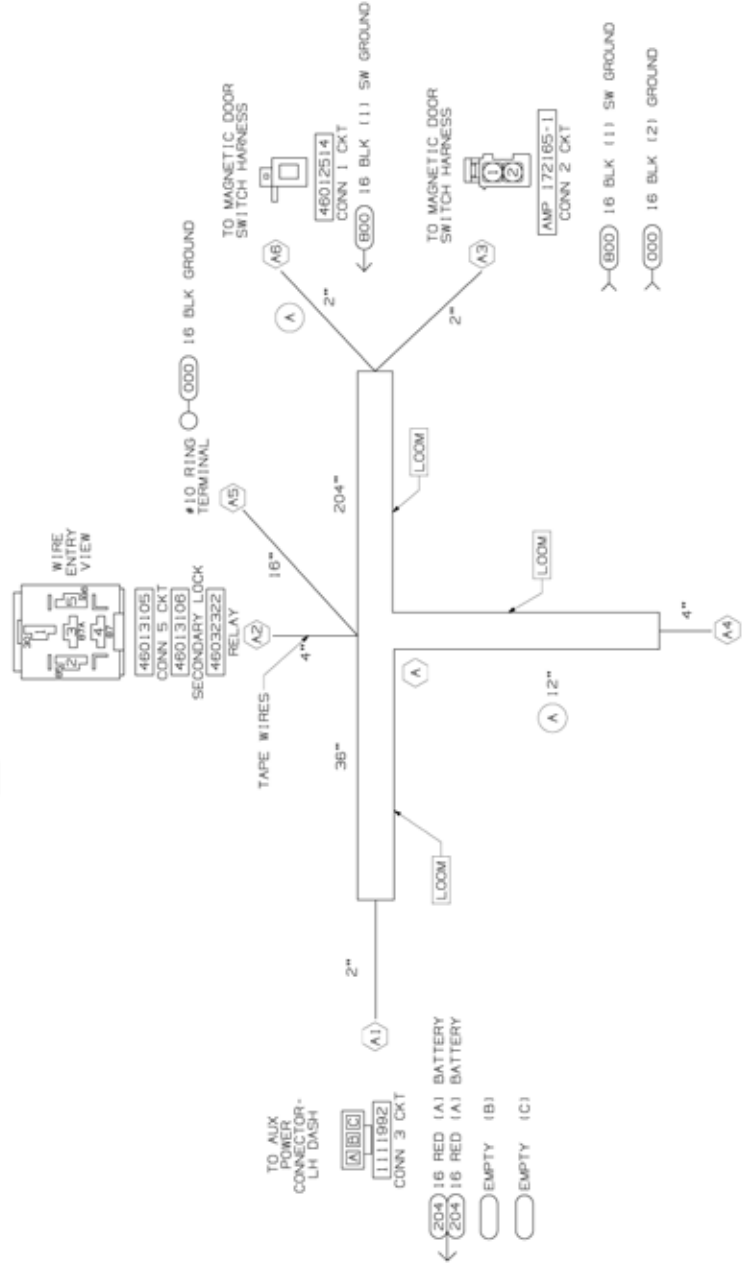
INTENDED USE: TO PROVIDE POWER FOR DUAL HEATED MIRRORS WITH ROCKER SWITCH ON DASH WITH ENDOHM AND HEATED CONVEX MIRROR ON EACH SIDE. REQUIRES POWER HARN FROM UNDER HOOD.





DRAWING NO.	REV	DATE
137392203	A	10/1
DESCRIPTION		
RELEASE TO PRODUCTION		
12" WAS 225"		
BREAKOUT AS ADDED		

- > (204) 16 RED (1) BATTERY (130)
- > (204) 16 RED (2) BATTERY (185)
- EMPTY (13) NOT USED (187A)
- > (008) 16 TAN (4) STEPWELL LP (187)
- > (800) 16 BLK (5) SW GROUND (188)



- \* (180") 16 BLK (000) 16 BLK GROUND MOLDED BALLS
- \* (180") 16 TAN (006) 16 TAN MOLDED BALLS STEPWELL LP

BASED ON:  
127392201

HARNESS AND LOOM TOLERANCES  
 UP TO 60" : -0/+2"  
 60" TO 100" : -0/+4"  
 100" TO 200" : -0/+8"  
 200" TO 400" : -0/+9"  
 400" TO 600" : -0/+7"  
 OVER 600" : -0/+8"  
 80 TO 80 : -0/+2"

TOLERANCE IS NOT APPLICABLE TO HARNESS LENGTH BREAKOUT TO END, OR LOOM.

**NOTES:**

1. OXL WIRE.

8. VENDOR MAY REPLACE PIGTAILS WITH WIRING TO APPROVED MOLDINGS OR CONNECTORS. PIGTAILS SHOWN IN TERMINAL VIEW.
7. HARNESS TO BE TESTED FOR CONTENT, OPENS, SHORTS, AND CONTINUITY.
6. CONNECTORS SHOWN FROM WIRE ENTRY SIDE, UNLESS OTHERWISE NOTED.
5. SPLICES TO BE AUTOMATED WITH HEAT SHRINK TUBING. HEAT SHRINK BUTT SPLICES ARE ACCEPTABLE FOR M-O FABRICATION IF NECESSARY.
4. TAPE (1111098) 8" AT BREAKOUTS AND 2" AT LOOM ENDS.
3. HARNESS TO HAVE A LABEL SHOWING MORGAN OLSON PART NUMBER, REVISION LEVEL, AND DATE OF MANUFACTURE.
2. SPLIT POLY LOOM UNLESS OTHERWISE NOTED.

**PROPRIETARY**

This drawing and the information contained herein are the property of Morgan Olson. No part of this drawing may be reproduced or transmitted in any form or by any means, electronic, mechanical, photocopying, recording, or by any information storage and retrieval system, without the prior written permission of Morgan Olson.



DATE	REV	DESCRIPTION
170CT13	1	ISSUE
170CT13	2	ISSUE
170CT13	3	ISSUE
170CT13	4	ISSUE
170CT13	5	ISSUE
170CT13	6	ISSUE
170CT13	7	ISSUE
170CT13	8	ISSUE
170CT13	9	ISSUE
170CT13	10	ISSUE
170CT13	11	ISSUE
170CT13	12	ISSUE
170CT13	13	ISSUE
170CT13	14	ISSUE
170CT13	15	ISSUE
170CT13	16	ISSUE
170CT13	17	ISSUE
170CT13	18	ISSUE
170CT13	19	ISSUE
170CT13	20	ISSUE
170CT13	21	ISSUE
170CT13	22	ISSUE
170CT13	23	ISSUE
170CT13	24	ISSUE
170CT13	25	ISSUE
170CT13	26	ISSUE
170CT13	27	ISSUE
170CT13	28	ISSUE
170CT13	29	ISSUE
170CT13	30	ISSUE
170CT13	31	ISSUE
170CT13	32	ISSUE
170CT13	33	ISSUE
170CT13	34	ISSUE
170CT13	35	ISSUE
170CT13	36	ISSUE
170CT13	37	ISSUE
170CT13	38	ISSUE
170CT13	39	ISSUE
170CT13	40	ISSUE
170CT13	41	ISSUE
170CT13	42	ISSUE
170CT13	43	ISSUE
170CT13	44	ISSUE
170CT13	45	ISSUE
170CT13	46	ISSUE
170CT13	47	ISSUE
170CT13	48	ISSUE
170CT13	49	ISSUE
170CT13	50	ISSUE
170CT13	51	ISSUE
170CT13	52	ISSUE
170CT13	53	ISSUE
170CT13	54	ISSUE
170CT13	55	ISSUE
170CT13	56	ISSUE
170CT13	57	ISSUE
170CT13	58	ISSUE
170CT13	59	ISSUE
170CT13	60	ISSUE
170CT13	61	ISSUE
170CT13	62	ISSUE
170CT13	63	ISSUE
170CT13	64	ISSUE
170CT13	65	ISSUE
170CT13	66	ISSUE
170CT13	67	ISSUE
170CT13	68	ISSUE
170CT13	69	ISSUE
170CT13	70	ISSUE
170CT13	71	ISSUE
170CT13	72	ISSUE
170CT13	73	ISSUE
170CT13	74	ISSUE
170CT13	75	ISSUE
170CT13	76	ISSUE
170CT13	77	ISSUE
170CT13	78	ISSUE
170CT13	79	ISSUE
170CT13	80	ISSUE
170CT13	81	ISSUE
170CT13	82	ISSUE
170CT13	83	ISSUE
170CT13	84	ISSUE
170CT13	85	ISSUE
170CT13	86	ISSUE
170CT13	87	ISSUE
170CT13	88	ISSUE
170CT13	89	ISSUE
170CT13	90	ISSUE
170CT13	91	ISSUE
170CT13	92	ISSUE
170CT13	93	ISSUE
170CT13	94	ISSUE
170CT13	95	ISSUE
170CT13	96	ISSUE
170CT13	97	ISSUE
170CT13	98	ISSUE
170CT13	99	ISSUE
170CT13	100	ISSUE

DATE	REV	DESCRIPTION
155094203	A	ISSUE
155094203	1	ISSUE
155094203	2	ISSUE
155094203	3	ISSUE
155094203	4	ISSUE
155094203	5	ISSUE
155094203	6	ISSUE
155094203	7	ISSUE
155094203	8	ISSUE
155094203	9	ISSUE
155094203	10	ISSUE
155094203	11	ISSUE
155094203	12	ISSUE
155094203	13	ISSUE
155094203	14	ISSUE
155094203	15	ISSUE
155094203	16	ISSUE
155094203	17	ISSUE
155094203	18	ISSUE
155094203	19	ISSUE
155094203	20	ISSUE
155094203	21	ISSUE
155094203	22	ISSUE
155094203	23	ISSUE
155094203	24	ISSUE
155094203	25	ISSUE
155094203	26	ISSUE
155094203	27	ISSUE
155094203	28	ISSUE
155094203	29	ISSUE
155094203	30	ISSUE
155094203	31	ISSUE
155094203	32	ISSUE
155094203	33	ISSUE
155094203	34	ISSUE
155094203	35	ISSUE
155094203	36	ISSUE
155094203	37	ISSUE
155094203	38	ISSUE
155094203	39	ISSUE
155094203	40	ISSUE
155094203	41	ISSUE
155094203	42	ISSUE
155094203	43	ISSUE
155094203	44	ISSUE
155094203	45	ISSUE
155094203	46	ISSUE
155094203	47	ISSUE
155094203	48	ISSUE
155094203	49	ISSUE
155094203	50	ISSUE
155094203	51	ISSUE
155094203	52	ISSUE
155094203	53	ISSUE
155094203	54	ISSUE
155094203	55	ISSUE
155094203	56	ISSUE
155094203	57	ISSUE
155094203	58	ISSUE
155094203	59	ISSUE
155094203	60	ISSUE
155094203	61	ISSUE
155094203	62	ISSUE
155094203	63	ISSUE
155094203	64	ISSUE
155094203	65	ISSUE
155094203	66	ISSUE
155094203	67	ISSUE
155094203	68	ISSUE
155094203	69	ISSUE
155094203	70	ISSUE
155094203	71	ISSUE
155094203	72	ISSUE
155094203	73	ISSUE
155094203	74	ISSUE
155094203	75	ISSUE
155094203	76	ISSUE
155094203	77	ISSUE
155094203	78	ISSUE
155094203	79	ISSUE
155094203	80	ISSUE
155094203	81	ISSUE
155094203	82	ISSUE
155094203	83	ISSUE
155094203	84	ISSUE
155094203	85	ISSUE
155094203	86	ISSUE
155094203	87	ISSUE
155094203	88	ISSUE
155094203	89	ISSUE
155094203	90	ISSUE
155094203	91	ISSUE
155094203	92	ISSUE
155094203	93	ISSUE
155094203	94	ISSUE
155094203	95	ISSUE
155094203	96	ISSUE
155094203	97	ISSUE
155094203	98	ISSUE
155094203	99	ISSUE
155094203	100	ISSUE

**PROPRIETARY**

This drawing and the information contained herein are the property of Morgan Olson. No part of this drawing may be reproduced or transmitted in any form or by any means, electronic, mechanical, photocopying, recording, or by any information storage and retrieval system, without the prior written permission of Morgan Olson.

**MORGAN OLSON**

DATE: 155094203  
REV: A  
DESCRIPTION: ISSUE

1. OXL WIRE.

2. SPLIT POLY LOOM UNLESS OTHERWISE NOTED.

3. HARNESS TO HAVE A LABEL SHOWING MORGAN OLSON PART NUMBER, REVISION LEVEL, AND DATE OF MANUFACTURE.

4. TAPE (1111098) 8" AT BREAKOUTS AND 2" AT LOOM ENDS.

5. SPLICES TO BE AUTOMATED WITH HEAT SHRINK TUBING. HEAT SHRINK BUTT SPLICES ARE ACCEPTABLE FOR M-O FABRICATION IF NECESSARY.

6. CONNECTORS SHOWN FROM WIRE ENTRY SIDE, UNLESS OTHERWISE NOTED.

7. HARNESS TO BE TESTED FOR CONTENT, OPENS, SHORTS, AND CONTINUITY.

8. VENDOR MAY REPLACE PIGTAILS WITH WIRING TO APPROVED MOLDINGS OR CONNECTORS. PIGTAILS SHOWN IN TERMINAL VIEW.

9. TOLERANCE IS NOT APPLICABLE TO HARNESS LENGTH BREAKOUT TO END, OR LOOM.

10. TOLERANCE IS NOT APPLICABLE TO HARNESS LENGTH BREAKOUT TO END, OR LOOM.

11. OXL WIRE.

12. SPLIT POLY LOOM UNLESS OTHERWISE NOTED.

13. HARNESS TO HAVE A LABEL SHOWING MORGAN OLSON PART NUMBER, REVISION LEVEL, AND DATE OF MANUFACTURE.

14. TAPE (1111098) 8" AT BREAKOUTS AND 2" AT LOOM ENDS.

15. SPLICES TO BE AUTOMATED WITH HEAT SHRINK TUBING. HEAT SHRINK BUTT SPLICES ARE ACCEPTABLE FOR M-O FABRICATION IF NECESSARY.

16. CONNECTORS SHOWN FROM WIRE ENTRY SIDE, UNLESS OTHERWISE NOTED.

17. HARNESS TO BE TESTED FOR CONTENT, OPENS, SHORTS, AND CONTINUITY.

18. VENDOR MAY REPLACE PIGTAILS WITH WIRING TO APPROVED MOLDINGS OR CONNECTORS. PIGTAILS SHOWN IN TERMINAL VIEW.

19. TOLERANCE IS NOT APPLICABLE TO HARNESS LENGTH BREAKOUT TO END, OR LOOM.

20. TOLERANCE IS NOT APPLICABLE TO HARNESS LENGTH BREAKOUT TO END, OR LOOM.

21. OXL WIRE.

22. SPLIT POLY LOOM UNLESS OTHERWISE NOTED.

23. HARNESS TO HAVE A LABEL SHOWING MORGAN OLSON PART NUMBER, REVISION LEVEL, AND DATE OF MANUFACTURE.

24. TAPE (1111098) 8" AT BREAKOUTS AND 2" AT LOOM ENDS.

25. SPLICES TO BE AUTOMATED WITH HEAT SHRINK TUBING. HEAT SHRINK BUTT SPLICES ARE ACCEPTABLE FOR M-O FABRICATION IF NECESSARY.

26. CONNECTORS SHOWN FROM WIRE ENTRY SIDE, UNLESS OTHERWISE NOTED.

27. HARNESS TO BE TESTED FOR CONTENT, OPENS, SHORTS, AND CONTINUITY.

28. VENDOR MAY REPLACE PIGTAILS WITH WIRING TO APPROVED MOLDINGS OR CONNECTORS. PIGTAILS SHOWN IN TERMINAL VIEW.

29. TOLERANCE IS NOT APPLICABLE TO HARNESS LENGTH BREAKOUT TO END, OR LOOM.

30. TOLERANCE IS NOT APPLICABLE TO HARNESS LENGTH BREAKOUT TO END, OR LOOM.

31. OXL WIRE.

32. SPLIT POLY LOOM UNLESS OTHERWISE NOTED.

33. HARNESS TO HAVE A LABEL SHOWING MORGAN OLSON PART NUMBER, REVISION LEVEL, AND DATE OF MANUFACTURE.

34. TAPE (1111098) 8" AT BREAKOUTS AND 2" AT LOOM ENDS.

35. SPLICES TO BE AUTOMATED WITH HEAT SHRINK TUBING. HEAT SHRINK BUTT SPLICES ARE ACCEPTABLE FOR M-O FABRICATION IF NECESSARY.

36. CONNECTORS SHOWN FROM WIRE ENTRY SIDE, UNLESS OTHERWISE NOTED.

37. HARNESS TO BE TESTED FOR CONTENT, OPENS, SHORTS, AND CONTINUITY.

38. VENDOR MAY REPLACE PIGTAILS WITH WIRING TO APPROVED MOLDINGS OR CONNECTORS. PIGTAILS SHOWN IN TERMINAL VIEW.

39. TOLERANCE IS NOT APPLICABLE TO HARNESS LENGTH BREAKOUT TO END, OR LOOM.

40. TOLERANCE IS NOT APPLICABLE TO HARNESS LENGTH BREAKOUT TO END, OR LOOM.

41. OXL WIRE.

42. SPLIT POLY LOOM UNLESS OTHERWISE NOTED.

43. HARNESS TO HAVE A LABEL SHOWING MORGAN OLSON PART NUMBER, REVISION LEVEL, AND DATE OF MANUFACTURE.

44. TAPE (1111098) 8" AT BREAKOUTS AND 2" AT LOOM ENDS.

45. SPLICES TO BE AUTOMATED WITH HEAT SHRINK TUBING. HEAT SHRINK BUTT SPLICES ARE ACCEPTABLE FOR M-O FABRICATION IF NECESSARY.

46. CONNECTORS SHOWN FROM WIRE ENTRY SIDE, UNLESS OTHERWISE NOTED.

47. HARNESS TO BE TESTED FOR CONTENT, OPENS, SHORTS, AND CONTINUITY.

48. VENDOR MAY REPLACE PIGTAILS WITH WIRING TO APPROVED MOLDINGS OR CONNECTORS. PIGTAILS SHOWN IN TERMINAL VIEW.

49. TOLERANCE IS NOT APPLICABLE TO HARNESS LENGTH BREAKOUT TO END, OR LOOM.

50. TOLERANCE IS NOT APPLICABLE TO HARNESS LENGTH BREAKOUT TO END, OR LOOM.

51. OXL WIRE.

52. SPLIT POLY LOOM UNLESS OTHERWISE NOTED.

53. HARNESS TO HAVE A LABEL SHOWING MORGAN OLSON PART NUMBER, REVISION LEVEL, AND DATE OF MANUFACTURE.

54. TAPE (1111098) 8" AT BREAKOUTS AND 2" AT LOOM ENDS.

55. SPLICES TO BE AUTOMATED WITH HEAT SHRINK TUBING. HEAT SHRINK BUTT SPLICES ARE ACCEPTABLE FOR M-O FABRICATION IF NECESSARY.

56. CONNECTORS SHOWN FROM WIRE ENTRY SIDE, UNLESS OTHERWISE NOTED.

57. HARNESS TO BE TESTED FOR CONTENT, OPENS, SHORTS, AND CONTINUITY.

58. VENDOR MAY REPLACE PIGTAILS WITH WIRING TO APPROVED MOLDINGS OR CONNECTORS. PIGTAILS SHOWN IN TERMINAL VIEW.

59. TOLERANCE IS NOT APPLICABLE TO HARNESS LENGTH BREAKOUT TO END, OR LOOM.

60. TOLERANCE IS NOT APPLICABLE TO HARNESS LENGTH BREAKOUT TO END, OR LOOM.

61. OXL WIRE.

62. SPLIT POLY LOOM UNLESS OTHERWISE NOTED.

63. HARNESS TO HAVE A LABEL SHOWING MORGAN OLSON PART NUMBER, REVISION LEVEL, AND DATE OF MANUFACTURE.

64. TAPE (1111098) 8" AT BREAKOUTS AND 2" AT LOOM ENDS.

65. SPLICES TO BE AUTOMATED WITH HEAT SHRINK TUBING. HEAT SHRINK BUTT SPLICES ARE ACCEPTABLE FOR M-O FABRICATION IF NECESSARY.

66. CONNECTORS SHOWN FROM WIRE ENTRY SIDE, UNLESS OTHERWISE NOTED.

67. HARNESS TO BE TESTED FOR CONTENT, OPENS, SHORTS, AND CONTINUITY.

68. VENDOR MAY REPLACE PIGTAILS WITH WIRING TO APPROVED MOLDINGS OR CONNECTORS. PIGTAILS SHOWN IN TERMINAL VIEW.

69. TOLERANCE IS NOT APPLICABLE TO HARNESS LENGTH BREAKOUT TO END, OR LOOM.

70. TOLERANCE IS NOT APPLICABLE TO HARNESS LENGTH BREAKOUT TO END, OR LOOM.

71. OXL WIRE.

72. SPLIT POLY LOOM UNLESS OTHERWISE NOTED.

73. HARNESS TO HAVE A LABEL SHOWING MORGAN OLSON PART NUMBER, REVISION LEVEL, AND DATE OF MANUFACTURE.

74. TAPE (1111098) 8" AT BREAKOUTS AND 2" AT LOOM ENDS.

75. SPLICES TO BE AUTOMATED WITH HEAT SHRINK TUBING. HEAT SHRINK BUTT SPLICES ARE ACCEPTABLE FOR M-O FABRICATION IF NECESSARY.

76. CONNECTORS SHOWN FROM WIRE ENTRY SIDE, UNLESS OTHERWISE NOTED.

77. HARNESS TO BE TESTED FOR CONTENT, OPENS, SHORTS, AND CONTINUITY.

78. VENDOR MAY REPLACE PIGTAILS WITH WIRING TO APPROVED MOLDINGS OR CONNECTORS. PIGTAILS SHOWN IN TERMINAL VIEW.

79. TOLERANCE IS NOT APPLICABLE TO HARNESS LENGTH BREAKOUT TO END, OR LOOM.

80. TOLERANCE IS NOT APPLICABLE TO HARNESS LENGTH BREAKOUT TO END, OR LOOM.

81. OXL WIRE.

82. SPLIT POLY LOOM UNLESS OTHERWISE NOTED.

83. HARNESS TO HAVE A LABEL SHOWING MORGAN OLSON PART NUMBER, REVISION LEVEL, AND DATE OF MANUFACTURE.

84. TAPE (1111098) 8" AT BREAKOUTS AND 2" AT LOOM ENDS.

85. SPLICES TO BE AUTOMATED WITH HEAT SHRINK TUBING. HEAT SHRINK BUTT SPLICES ARE ACCEPTABLE FOR M-O FABRICATION IF NECESSARY.

86. CONNECTORS SHOWN FROM WIRE ENTRY SIDE, UNLESS OTHERWISE NOTED.

87. HARNESS TO BE TESTED FOR CONTENT, OPENS, SHORTS, AND CONTINUITY.

88. VENDOR MAY REPLACE PIGTAILS WITH WIRING TO APPROVED MOLDINGS OR CONNECTORS. PIGTAILS SHOWN IN TERMINAL VIEW.

89. TOLERANCE IS NOT APPLICABLE TO HARNESS LENGTH BREAKOUT TO END, OR LOOM.

90. TOLERANCE IS NOT APPLICABLE TO HARNESS LENGTH BREAKOUT TO END, OR LOOM.

91. OXL WIRE.

92. SPLIT POLY LOOM UNLESS OTHERWISE NOTED.

93. HARNESS TO HAVE A LABEL SHOWING MORGAN OLSON PART NUMBER, REVISION LEVEL, AND DATE OF MANUFACTURE.

94. TAPE (1111098) 8" AT BREAKOUTS AND 2" AT LOOM ENDS.

95. SPLICES TO BE AUTOMATED WITH HEAT SHRINK TUBING. HEAT SHRINK BUTT SPLICES ARE ACCEPTABLE FOR M-O FABRICATION IF NECESSARY.

96. CONNECTORS SHOWN FROM WIRE ENTRY SIDE, UNLESS OTHERWISE NOTED.

97. HARNESS TO BE TESTED FOR CONTENT, OPENS, SHORTS, AND CONTINUITY.

98. VENDOR MAY REPLACE PIGTAILS WITH WIRING TO APPROVED MOLDINGS OR CONNECTORS. PIGTAILS SHOWN IN TERMINAL VIEW.

99. TOLERANCE IS NOT APPLICABLE TO HARNESS LENGTH BREAKOUT TO END, OR LOOM.

100. TOLERANCE IS NOT APPLICABLE TO HARNESS LENGTH BREAKOUT TO END, OR LOOM.

101. OXL WIRE.

102. SPLIT POLY LOOM UNLESS OTHERWISE NOTED.

103. HARNESS TO HAVE A LABEL SHOWING MORGAN OLSON PART NUMBER, REVISION LEVEL, AND DATE OF MANUFACTURE.

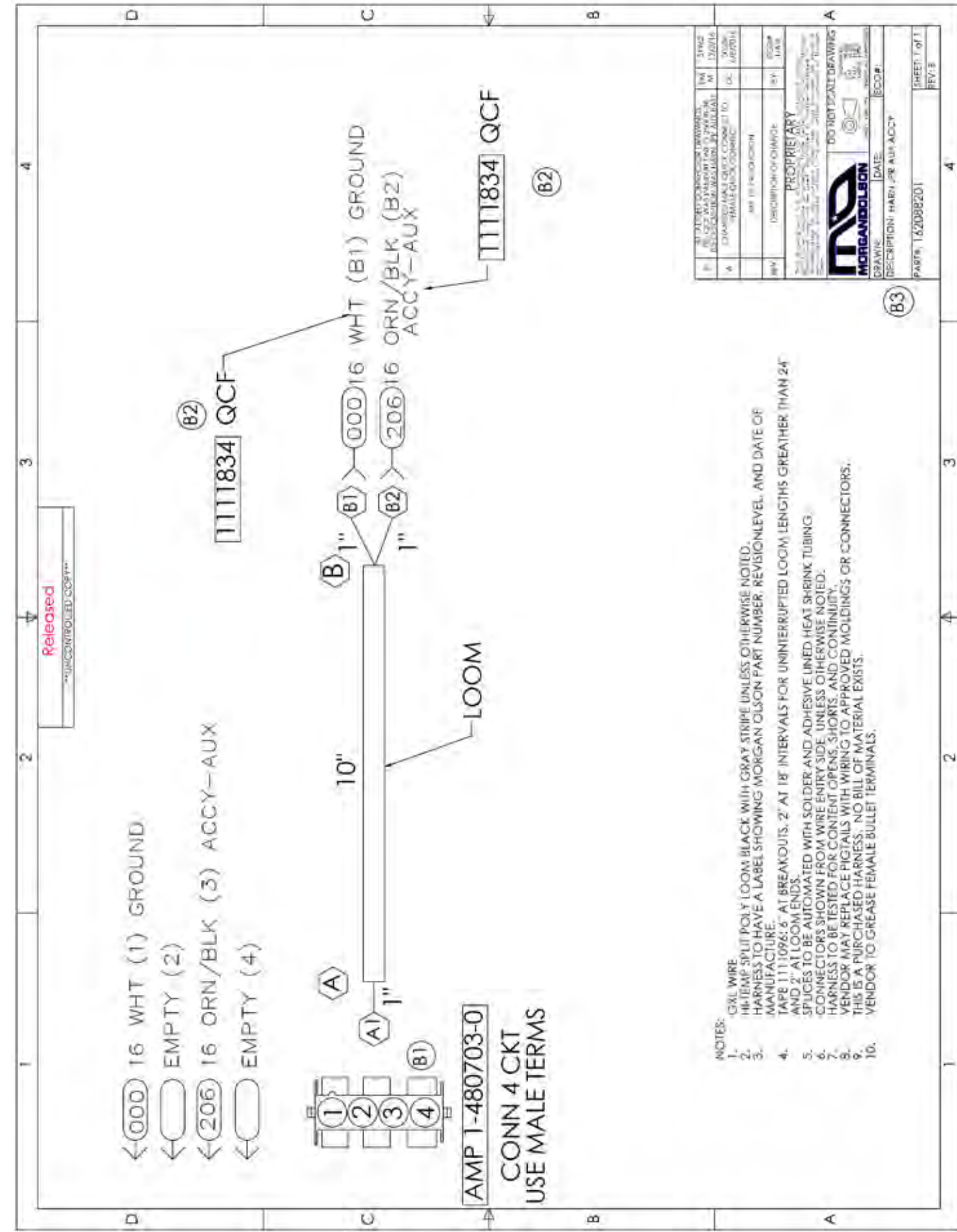
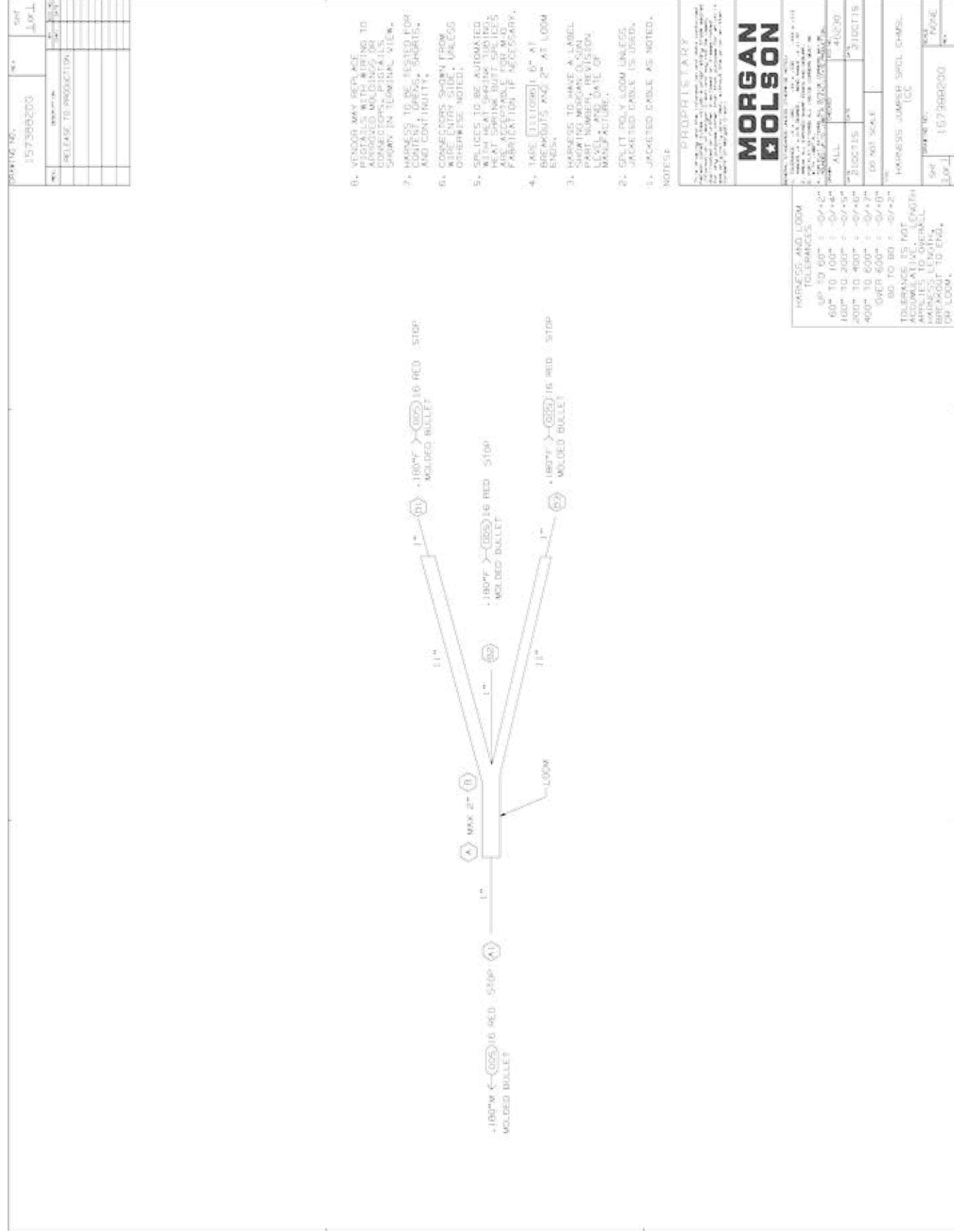
104. TAPE (1111098) 8" AT BREAKOUTS AND 2" AT LOOM ENDS.

105. SPLICES TO BE AUTOMATED WITH HEAT SHRINK TUBING. HEAT SHRINK BUTT SPLICES ARE ACCEPTABLE FOR M-O FABRICATION IF NECESSARY.

106. CONNECTORS SHOWN FROM WIRE ENTRY SIDE, UNLESS OTHERWISE NOTED.

107. HARNESS TO BE TESTED FOR CONTENT, OPENS, SHORTS, AND CONTINUITY.

108. VENDOR MAY REPLACE P



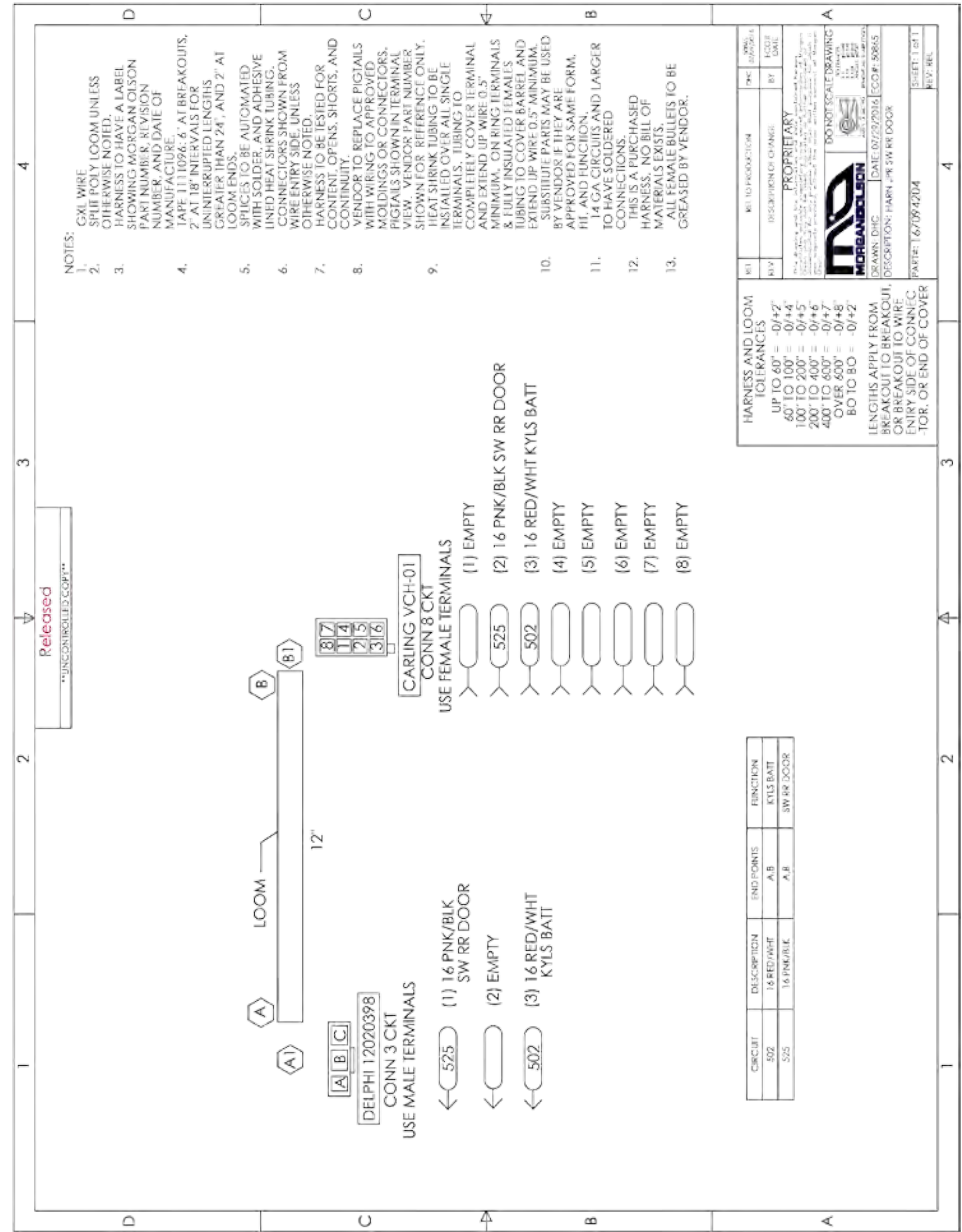
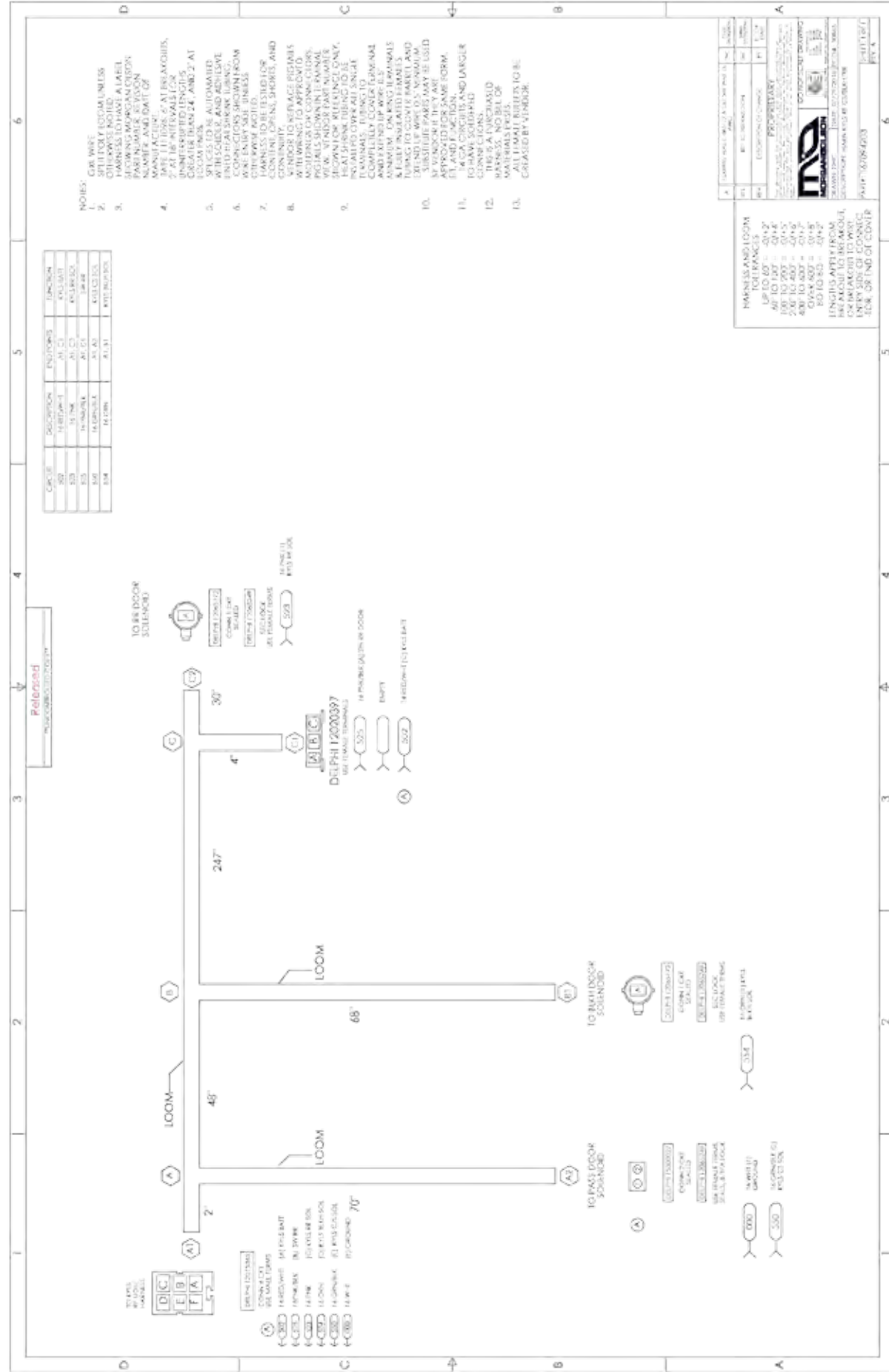




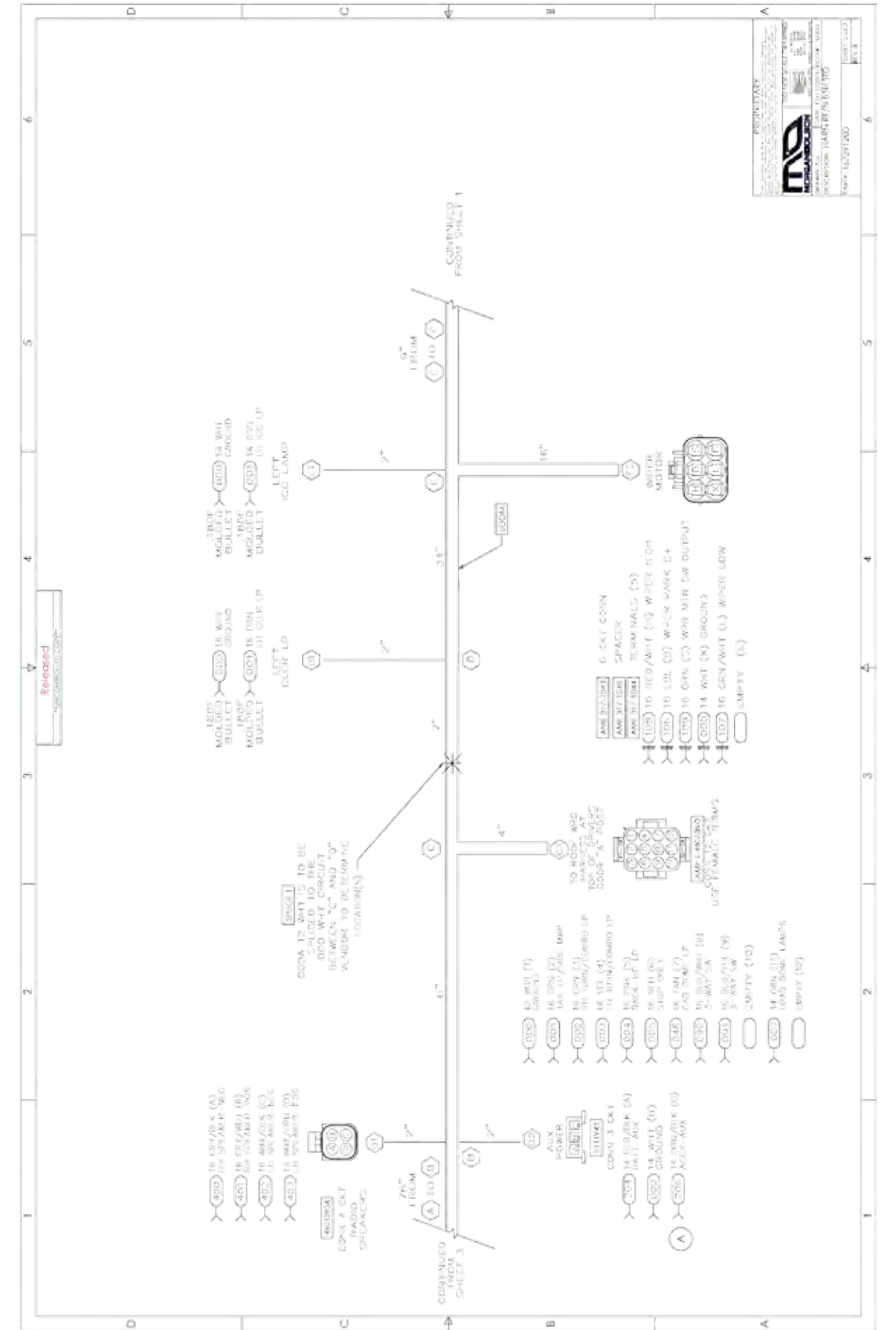
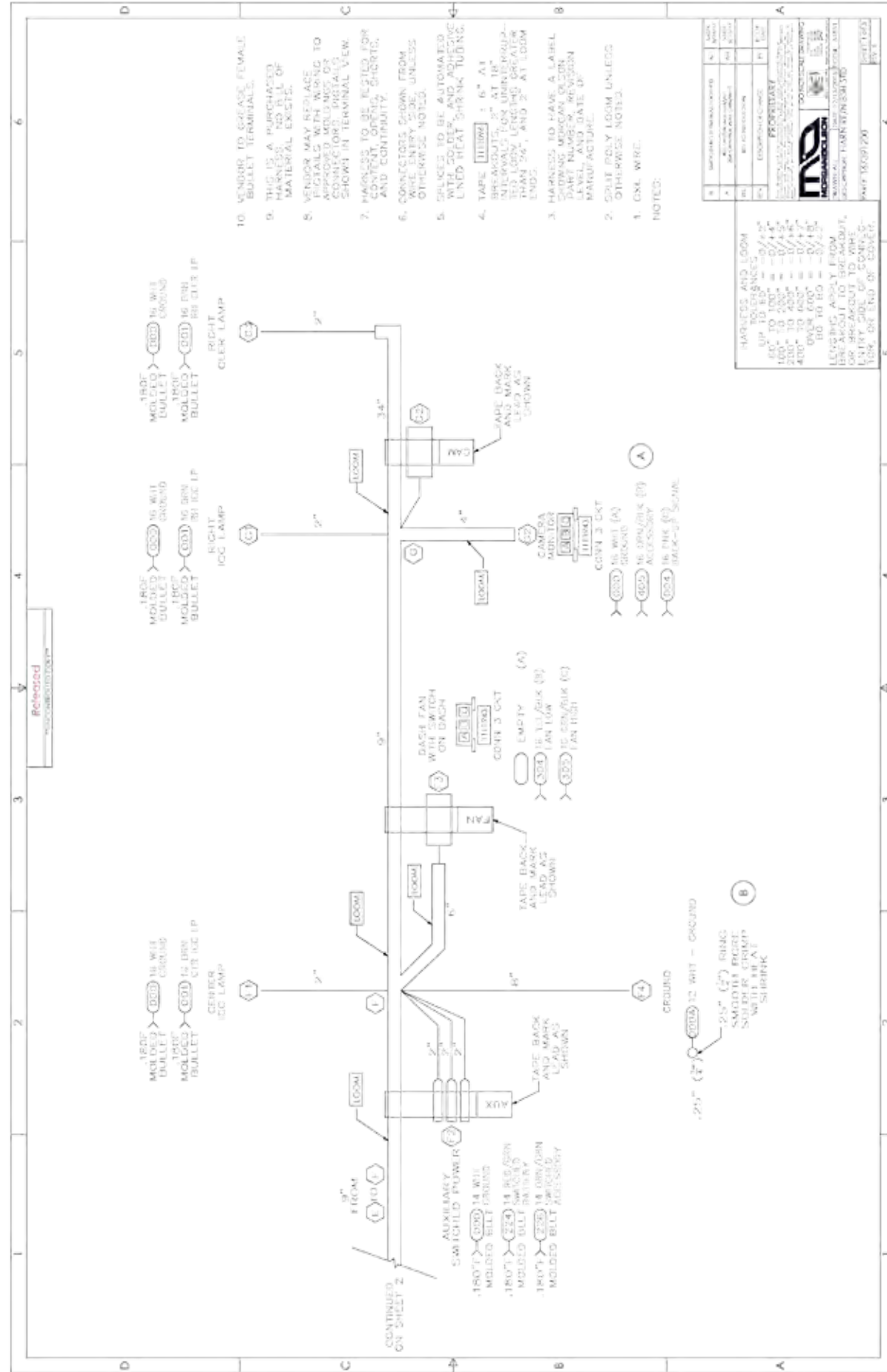


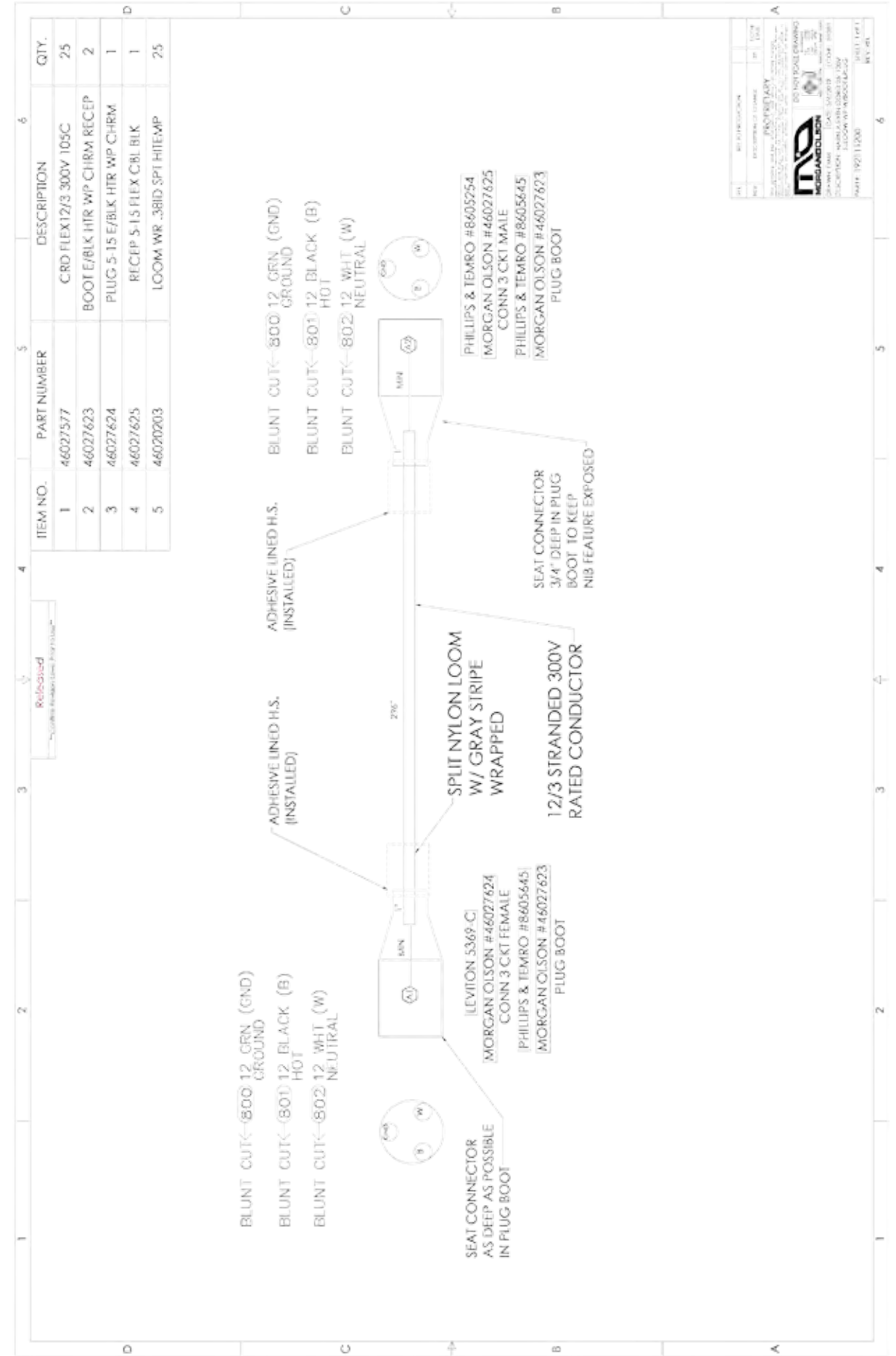
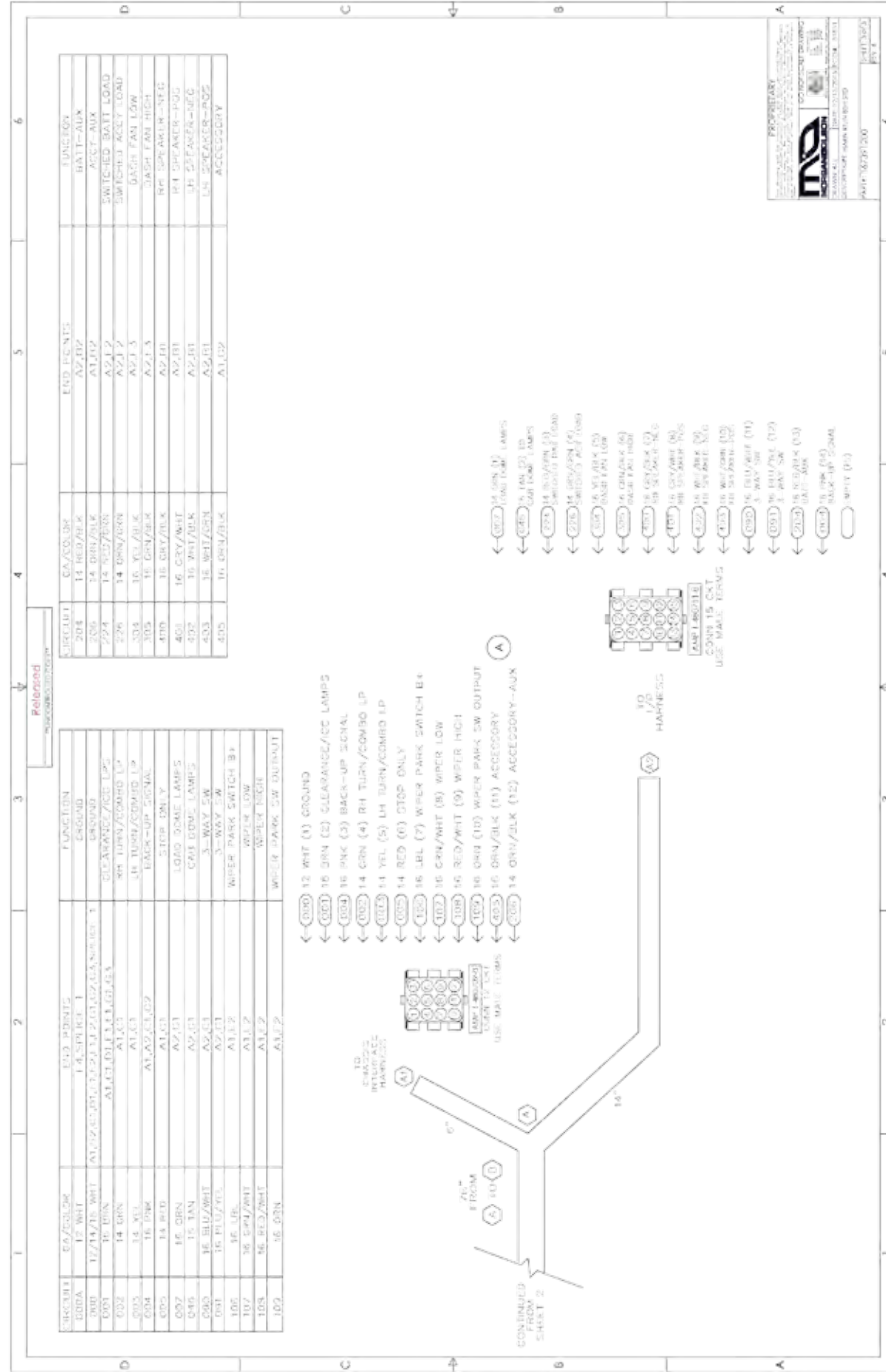


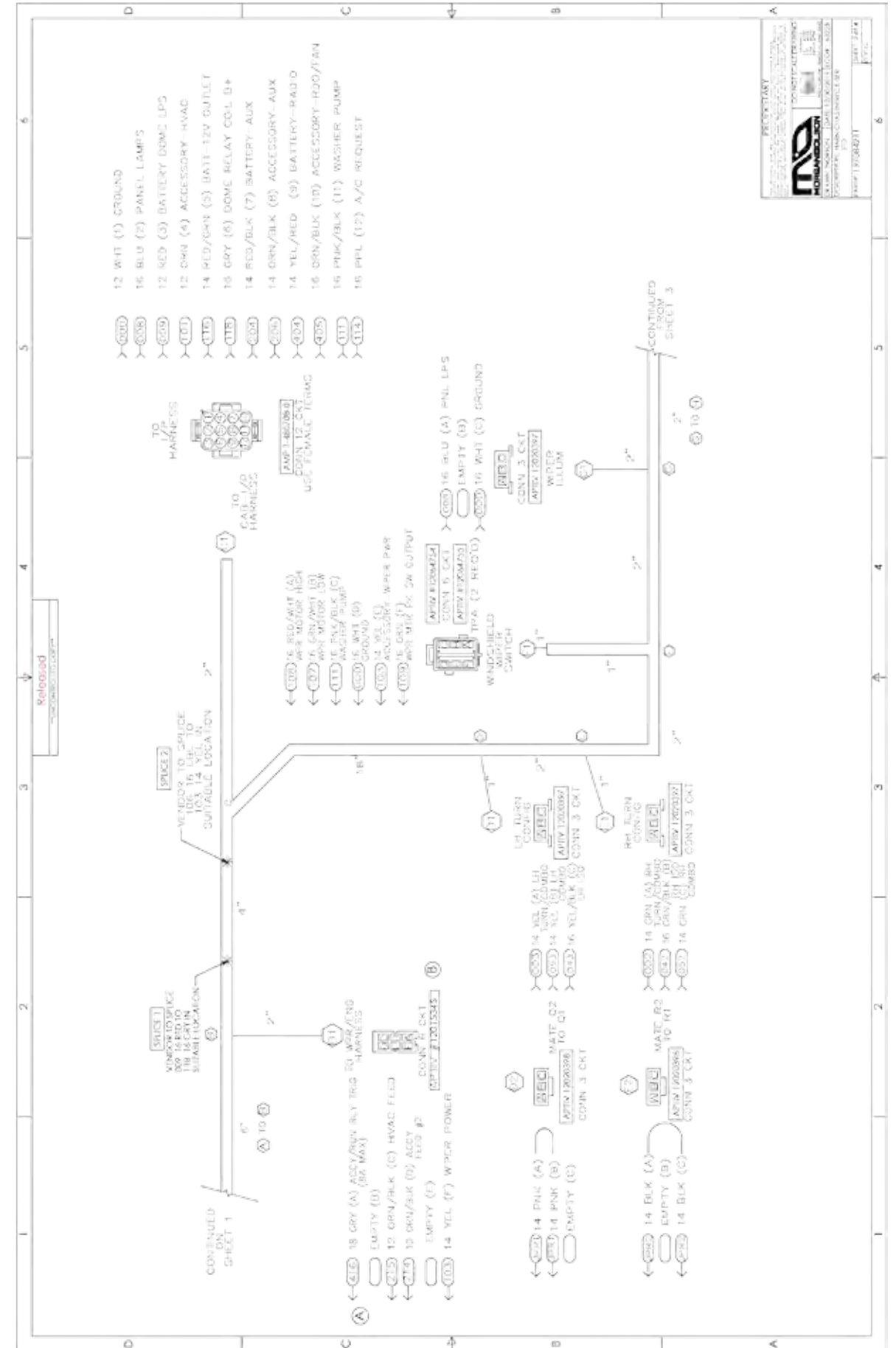
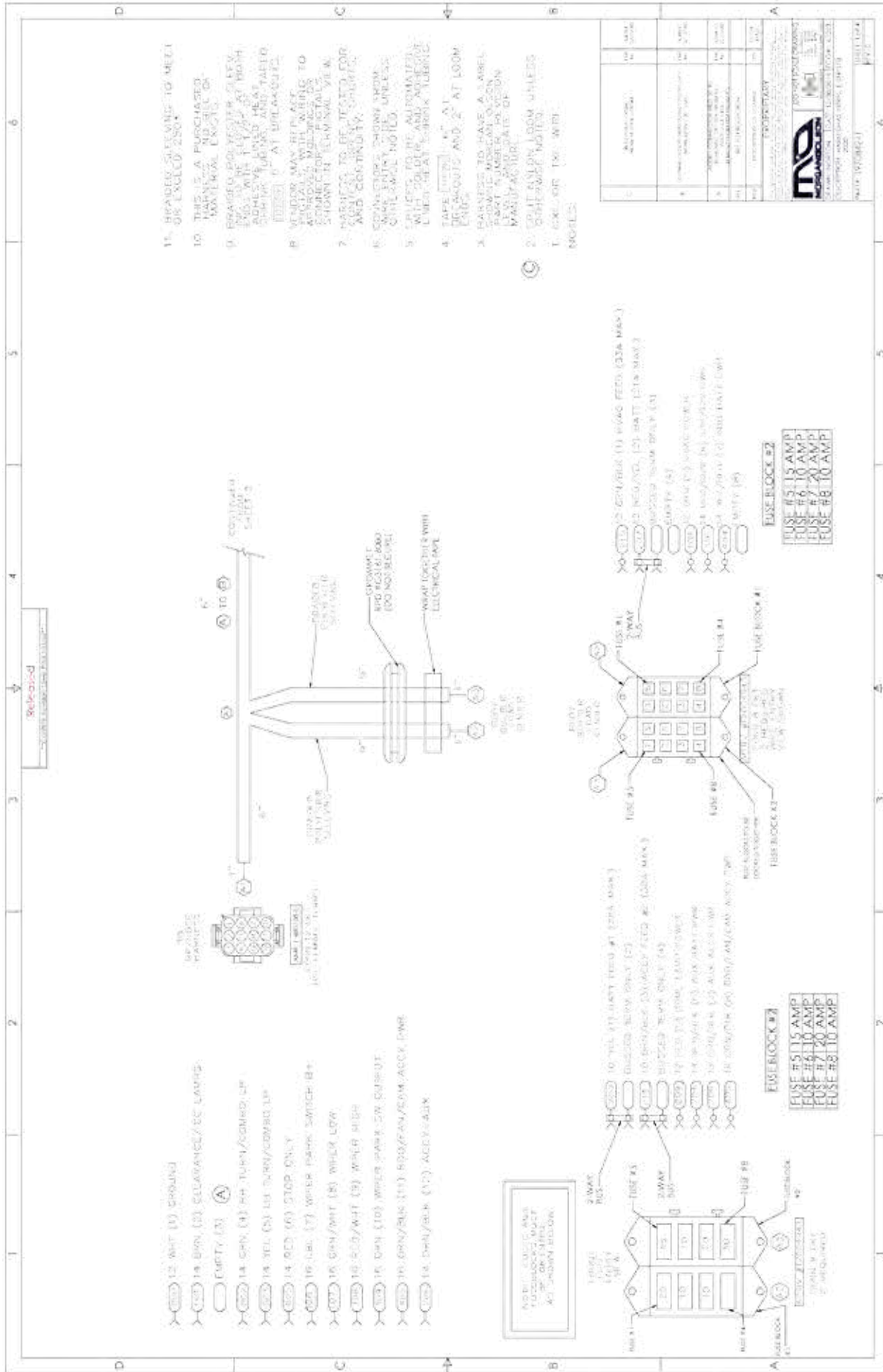


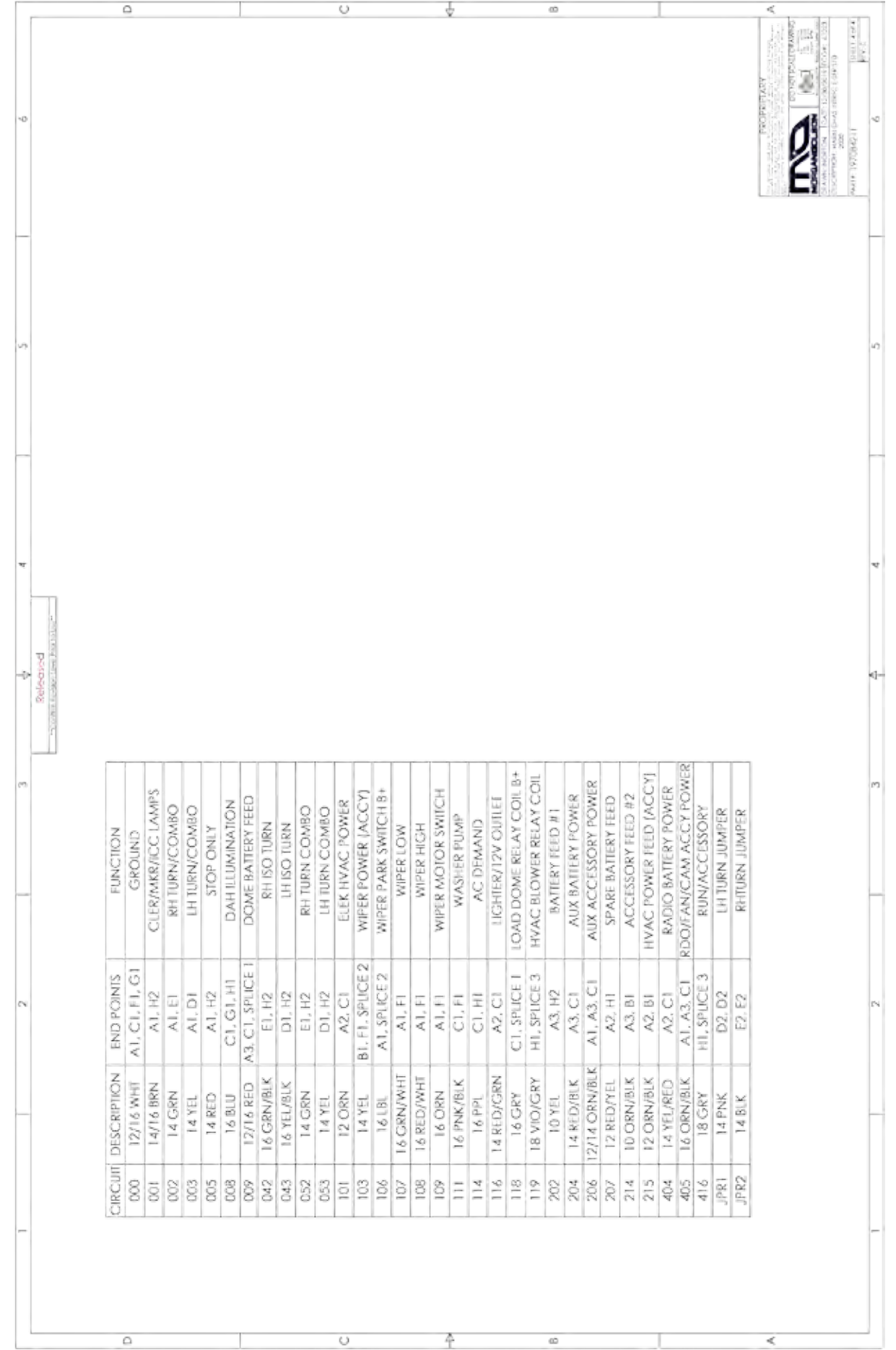
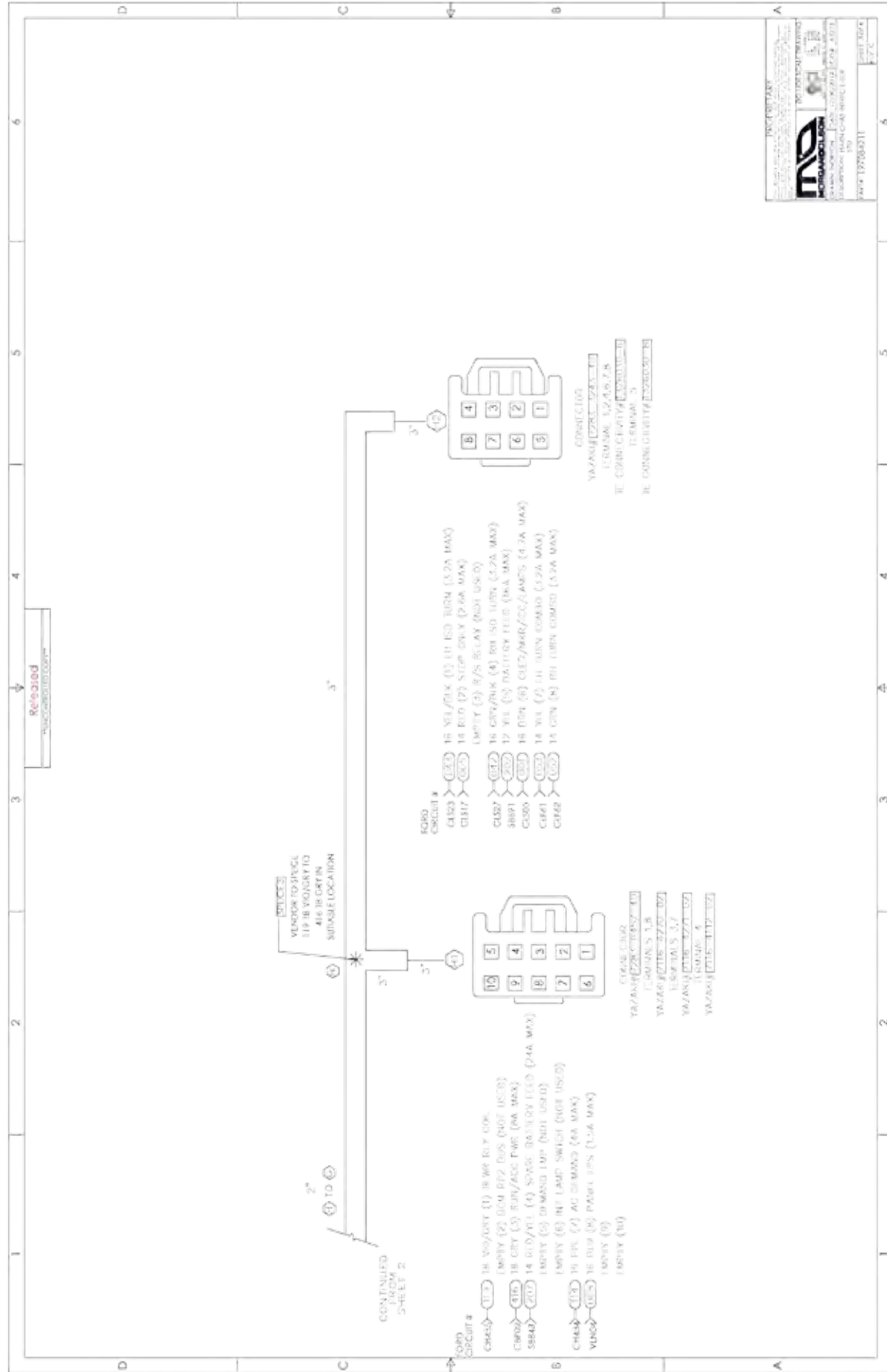






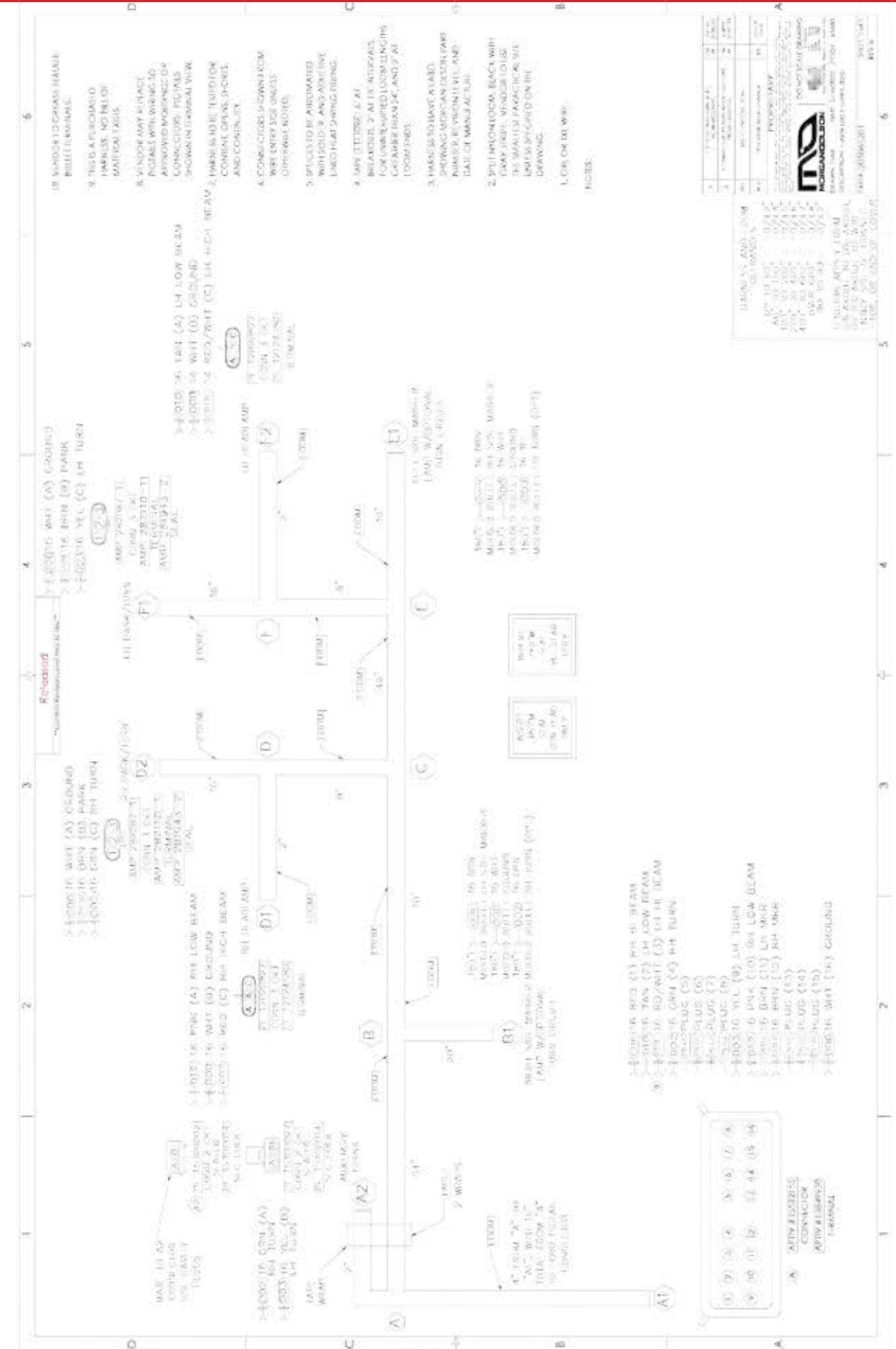
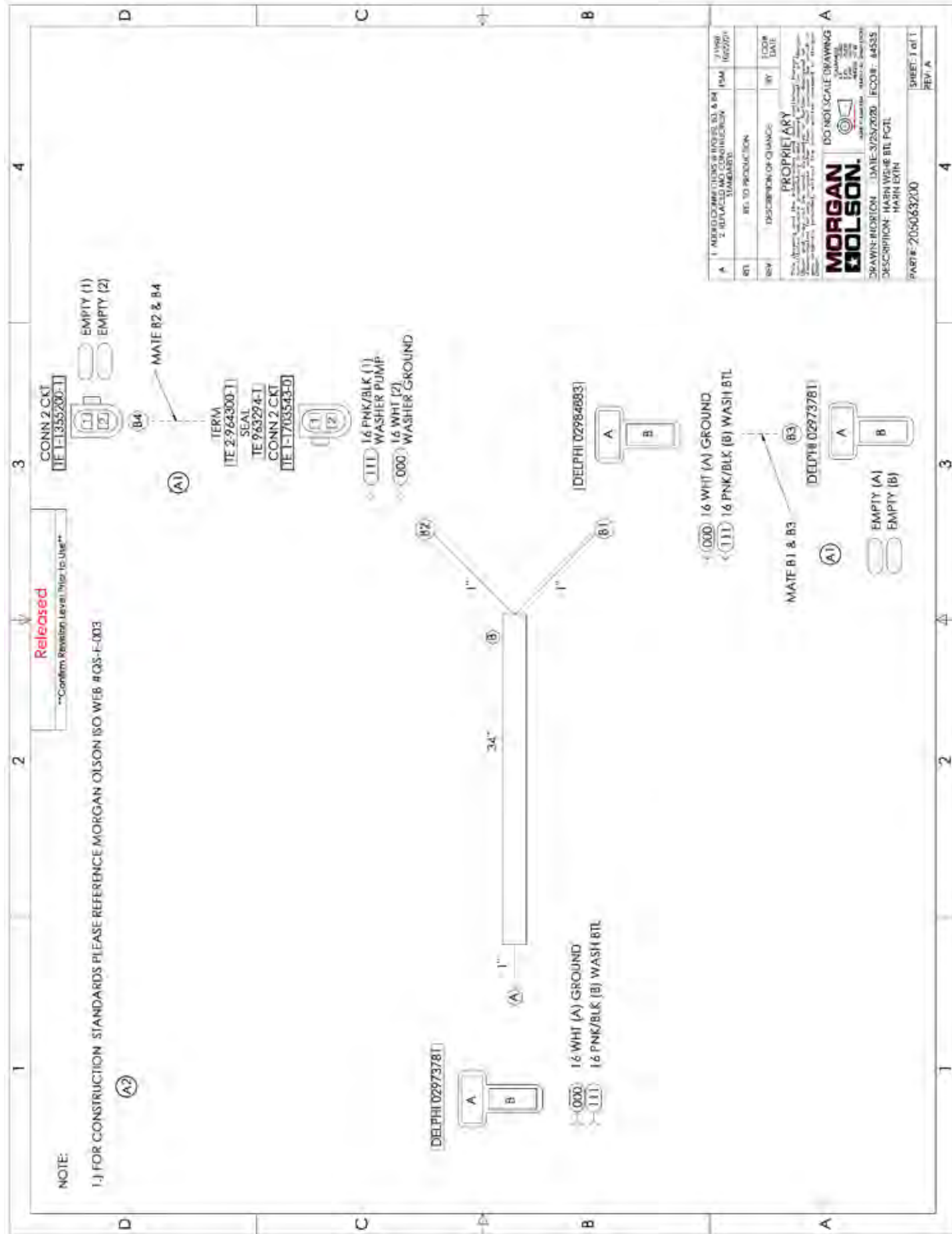


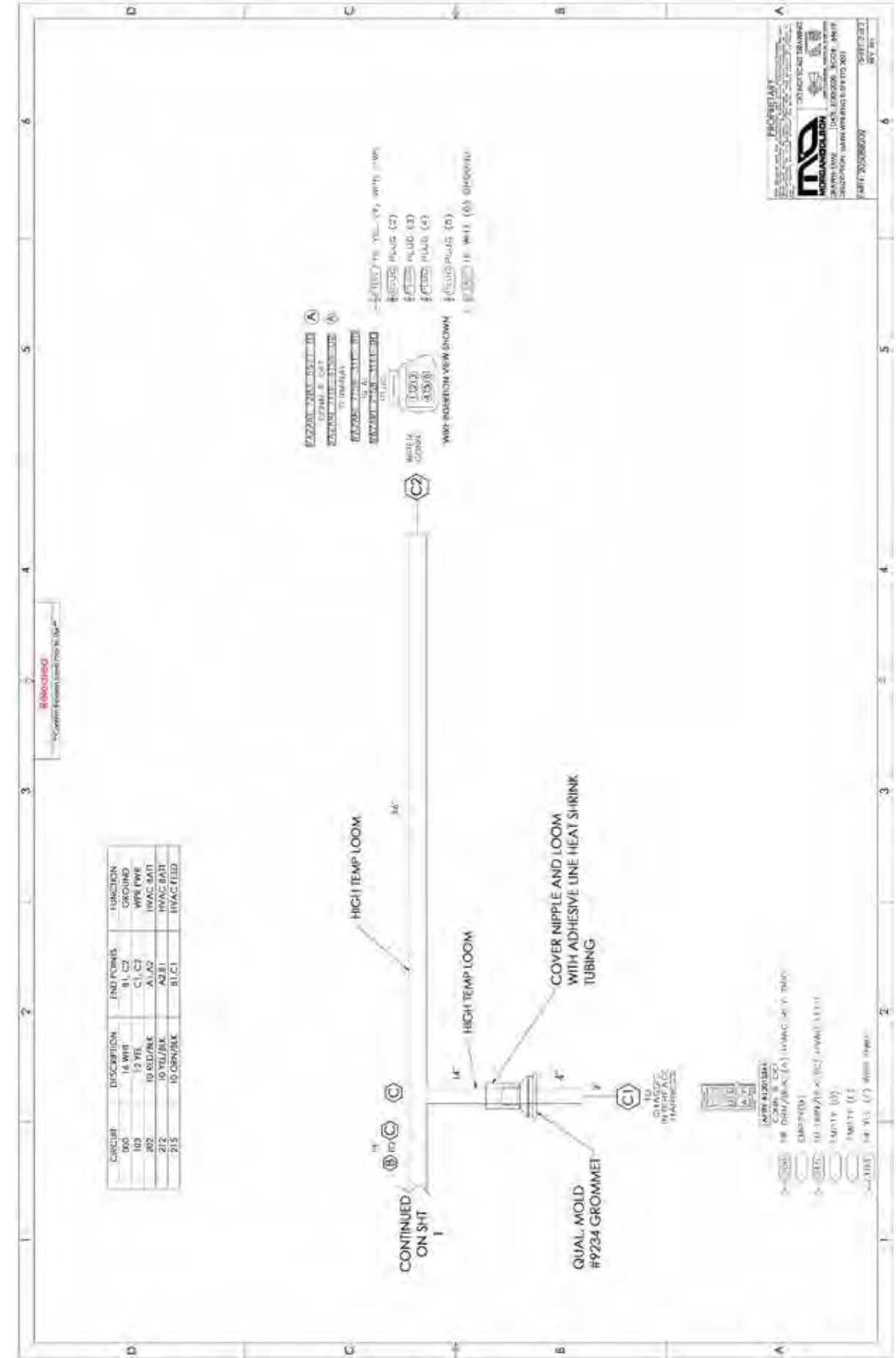
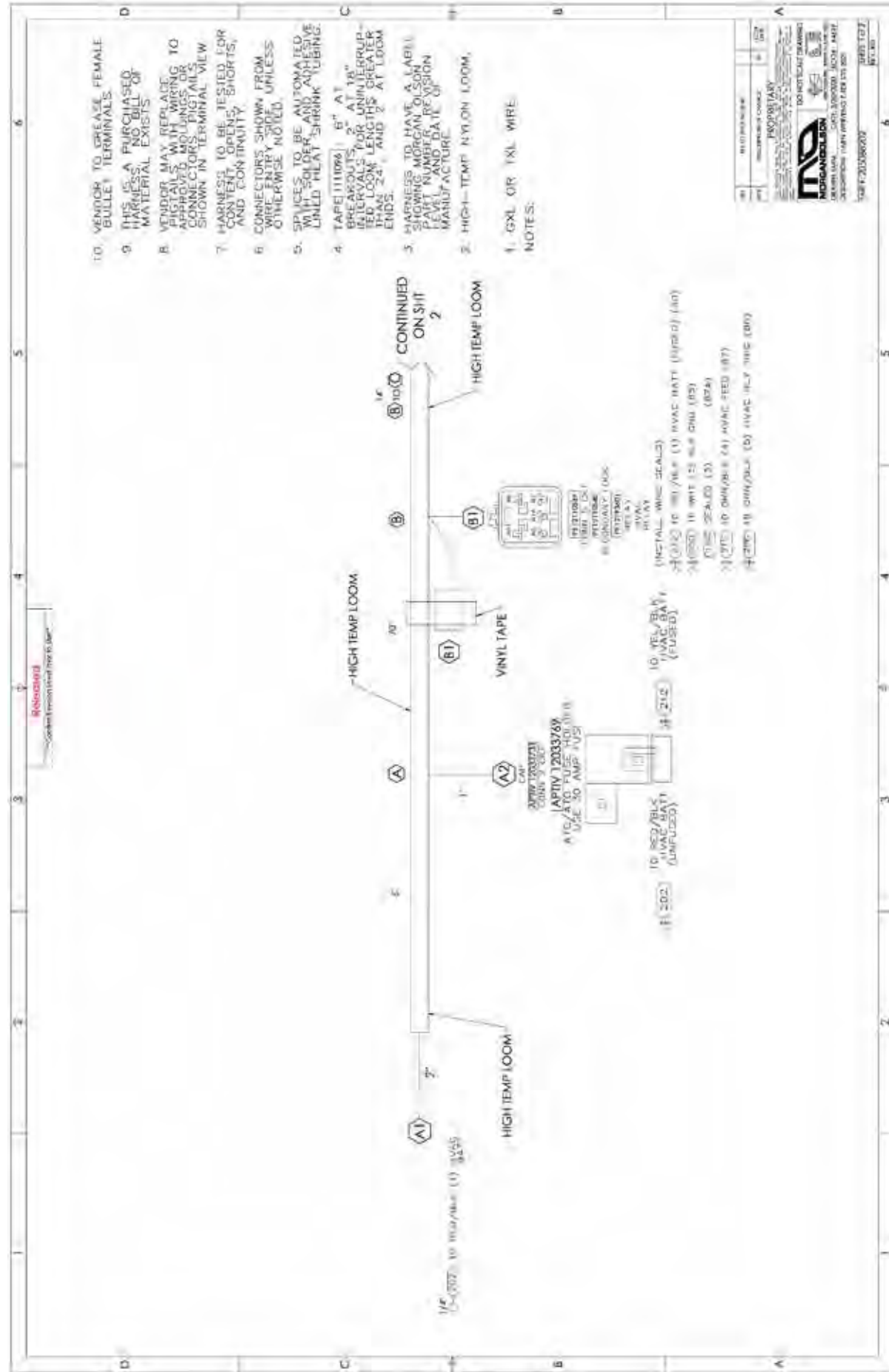


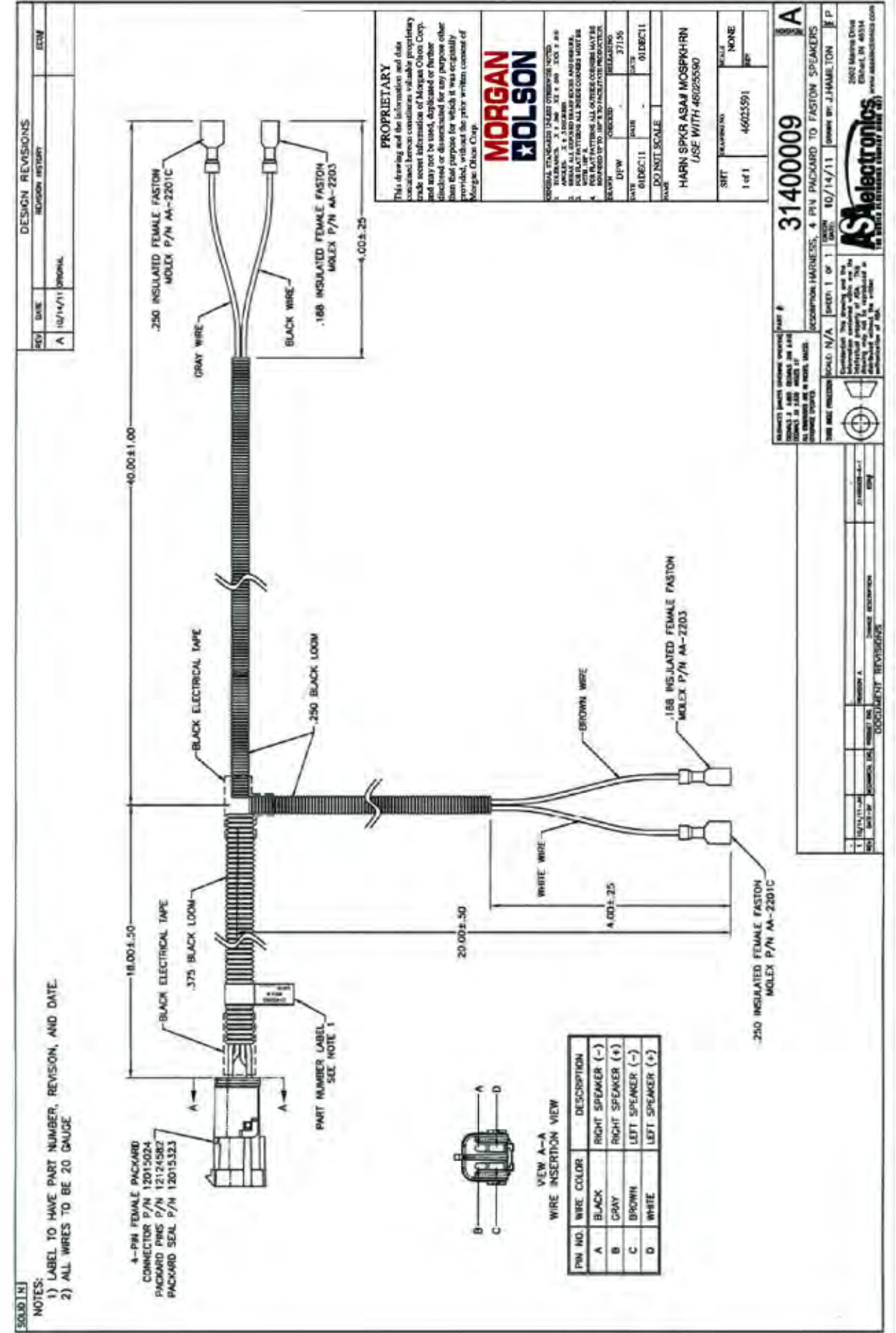
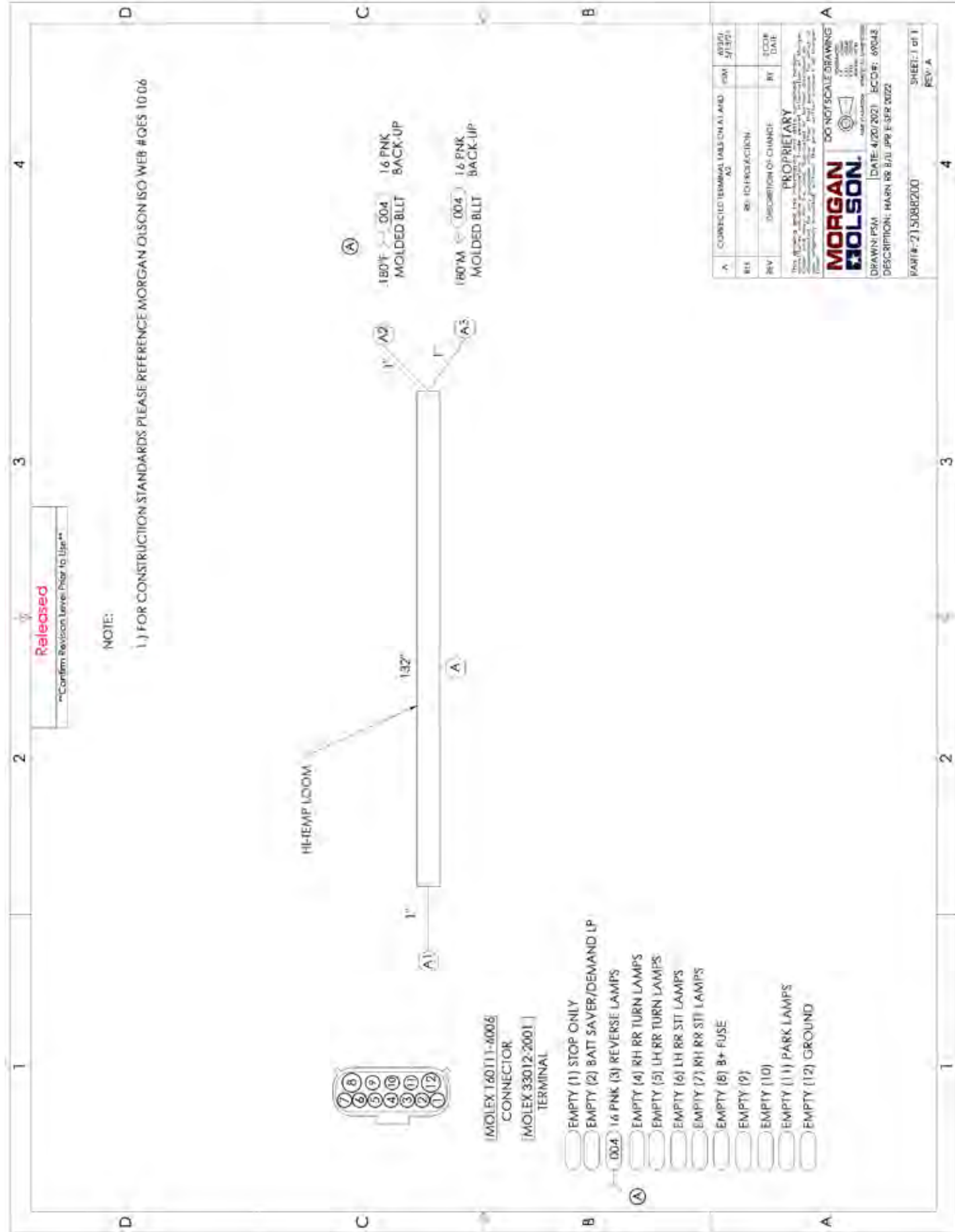


CIRCUIT	DESCRIPTION	END POINTS	FUNCTION
000	12/16 WHT	A1, C1, F1, G1	GROUND
001	14/16 BRN	A1, H2	CLER/MKR/ACC LAMPS
002	14 GRN	A1, E1	RH TURN/COMBO
003	14 YEL	A1, D1	LH TURN/COMBO
005	14 RED	A1, H2	STOP ONLY
008	16 BLU	C1, G1, H1	DAH ILLUMINATION
009	12/16 RED	A3, C1, SPICE 1	HOME BATTERY FEED
042	16 GRN/BLK	E1, H2	RH ISO TURN
043	16 YEL/BLK	D1, H2	LH ISO TURN
052	14 GRN	E1, H2	RH TURN COMBO
053	14 YEL	D1, H2	LH TURN COMBO
101	12 ORN	A2, C1	ELEK HVAC POWER
103	14 YEL	B1, F1, SPICE 2	WIPER POWER (ACCY)
106	16 BLK	A1, SPICE 2	WIPER PARK SWITCH B+
107	16 GRN/WHI	A1, F1	WIPER LOW
108	16 RED/WHI	A1, F1	WIPER HIGH
109	16 ORN	A1, F1	WIPER MOTOR SWITCH
111	16 PNK/BLK	C1, F1	WASHER PUMP
114	16 PPL	C1, H1	ACC DEMAND
116	14 RED/GRN	A2, C1	LIGHTER/12V OUTLET
118	16 GRN	C1, SPICE 1	LOAD DOME RELAY COIL B+
119	18 VIO/GRY	H1, SPICE 3	HVAC BLOWER RELAY COIL
202	10 YEL	A3, H2	BATTERY FEED #1
204	14 RED/BLK	A3, C1	AUX BATTERY POWER
206	12/14 ORN/BLK	A1, A3, C1	AUX ACCESSORY POWER
207	12 RED/YEL	A2, H1	SPARE BATTERY FEED
214	10 ORN/BLK	A3, B1	ACCESSORY FEED #2
215	12 ORN/BLK	A2, B1	HVAC POWER FEED (ACCY)
404	14 YEL/RED	A2, C1	RADIO BATTERY POWER
405	16 ORN/BLK	A1, A3, C1	RDO/FAN/CAM ACCY POWER
416	18 GRN	H1, SPICE 3	RUN/ACCESSORY
JPR1	14 PNK	D2, D2	LH TURN JUMPER
JPR2	14 BLK	E2, E2	RH TURN JUMPER



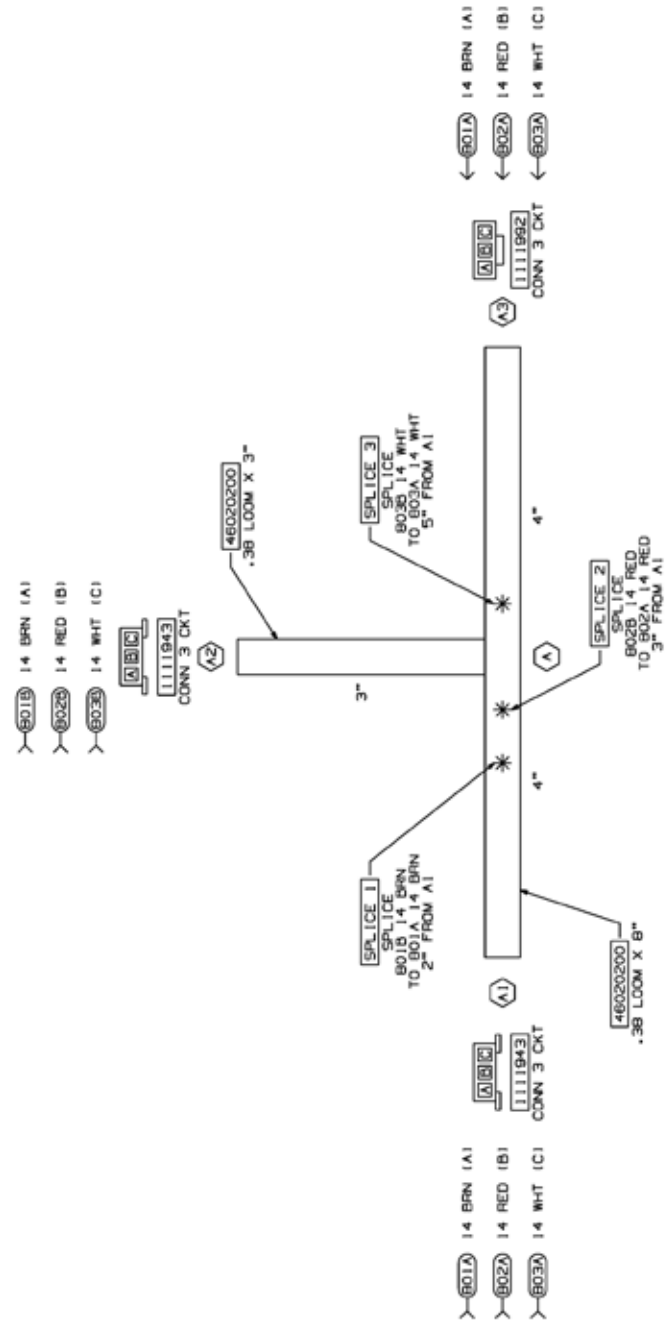






DRAWING NO.	REV	SHT
BB117437		LOL
DESCRIPTION		
RELEASE TO PRODUCTION		

CIRCUIT	DESCRIPTION	END POINTS	FUNCTION
B01A	14 BRN 008 1111944 OE 4601B504	A1, A3	GENERIC
B01B	14 BRN 005 1111944 OE STR .25	A2, SPLICE 1	GENERIC
B02A	14 RED 008 1111944 OE 4601B504	A1, A3	GENERIC
B02B	14 RED 004 1111944 OE STR .25	A2, SPLICE 2	GENERIC
B03A	14 WHT 008 1111944 OE 4601B504	A1, A3	GENERIC
B03B	14 WHT 004 1111944 OE STR .24	A2, SPLICE 3	GENERIC



6. VENDOR MAY REPLACE POSITIONING WITH APPROVED MOLDS OR CONNECTORS. PISTAILS SHOWN IN TERMINAL VIEW.
7. HARNESS TO BE TESTED FOR CONTENT, OPENS, SHORTS, AND CONTINUITY.
8. CONNECTORS SHOWN FROM WIRE ENTRY SIDE UNLESS OTHERWISE NOTED.
9. SPLICES TO BE AUTOMATED WITH SHRINK TUBING. HEAT SHRINK BUTT SPLICES ARE ACCEPTABLE FOR GO FABRICATION IF NECESSARY.
4. TAPE [1111998]: 8" AT BREAKOUTS AND 2" AT LOOM ENDS.
3. HARNESS TO HAVE A LABEL SHOWING GRAMMAN OLSON PART NUMBER REVISION LEVEL NUMBER DATE OF MANUFACTURE.
2. SPLIT POLY LOOM UNLESS OTHERWISE NOTED.
  1. OXL WIRE.

**NOTES:**

**PROPRIETARY**  
THIS DRAWING AND THE INFORMATION ON THIS DRAWING ARE THE PROPERTY OF MORGAN OLSON. IT IS TO BE USED ONLY FOR THE PURPOSES SPECIFIED HEREON. IT IS NOT TO BE REPRODUCED OR TRANSMITTED IN ANY FORM OR BY ANY MEANS, ELECTRONIC OR MECHANICAL, INCLUDING PHOTOCOPYING, RECORDING, OR BY ANY INFORMATION STORAGE AND RETRIEVAL SYSTEM. WITHOUT THE WRITTEN PERMISSION OF MORGAN OLSON, THIS DRAWING IS NOT TO BE USED FOR ANY OTHER PURPOSE.

**MORGAN OLSON**  
MORGAN OLSON ENGINEERING INC.  
12345 MAIN ST. WILSONVILLE, NC 27158  
TEL: 704.261.1234 FAX: 704.261.5678  
WWW.MORGANOLSON.COM

DATE: 02-02-11  
REV: 02-02-11  
DRAWN: TMC  
CHECKED: SEH  
DATE: 02-02-11  
DATE: 28FEB02  
DATE: 28FEB02  
DO NOT SCALE

JUMPER-HARN TEE-GENERIC  
SHEET NO. 1 OF 1  
PART NO. 88117437  
REV. NONE

**HARNESS AND LOOM TOLERANCES**  
 LP TO 60" : -0/+2"  
 60" TO 100" : -0/+4"  
 100" TO 200" : -0/+5"  
 200" TO 400" : -0/+6"  
 400" TO 600" : -0/+7"  
 OVER 600" : -0/+8"  
 BO TO BO : -0/+2"  
 TOLERANCE IS NOT ACCUMULATIVE. LENGTH HARNESS OR OTHER BREAKOUT TO END, OR LOOM.