

# Canada Post

2020 Parts Catalog  
12' & 16' Body



Ford E-450 Chassis

2020 Morgan Olson Body



1.800.233.4823  
WWW.MORGANOLSON.COM



This parts catalog applies to the following package delivery vehicles;

<b>16' Body - JV002941</b>					
Chassis Vin#	Unit#				
1FC3E4KK7MDC02577	200005	1FC3E3KK9MDC07807	200040	1FC3E3KK0MDC15925	200094
1FC3E4KK1MDC07810	200006	1FC3E3KK0MDC07808	200041	1FC3E3KK2MDC15926	200095
1FC3E4KK3MDC07811	200007	1FC3E3KK2MDC07809	200042	1FC3E3KK4MDC15927	200096
1FC3E4KK5MDC07812	200010	1FC3E3KK3MDC09911	200043	1FC3E3KK6MDC15928	200097
1FC3E4KK7MDC07813	200011	1FC3E3KK5MDC09912	200044	1FC3E3KK8MDC15929	200098
1FC3E4KK9MDC07814	200012	1FC3E3KK7MDC09913	200045	1FC3E3KK4MDC15930	200099
1FC3E4KK0MDC07815	200013	1FC3E3KK9MDC09914	200046	1FC3E3KK6MDC15931	200100
1FC3E4KK2MDC07816	200014	1FC3E3KK0MDC09915	200047	1FC3E3KK8MDC15932	200101
1FC3E4KK1MDC19665	200176	1FC3E3KK2MDC09916	200048	1FC3E3KKXMDC15933	200102
1FC3E4KK3MDC19666	200177	1FC3E3KK4MDC09917	200049	1FC3E3KK1MDC15934	200103
1FC3E4KK5MDC19667	200178	1FC3E3KK6MDC09918	200050	1FC3E3KK3MDC15935	200104
1FC3E4KK7MDC19668	200179	1FC3E3KK8MDC09919	200051	1FC3E3KK5MDC15936	200105
1FC3E4KK9MDC19669	200180	1FC3E3KK4MDC09920	200052	1FC3E3KK7MDC15937	200106
		1FC3E3KK6MDC09921	200053	1FC3E3KK9MDC15938	200107
		1FC3E3KK8MDC09922	200054	1FC3E3KK0MDC15939	200108
		1FC3E3KKXMDC09923	200055	1FC3E3KK7MDC15940	200109
		1FC3E3KK1MDC09924	200056	1FC3E3KK9MDC15941	200110
		1FC3E3KK3MDC09925	200057	1FC3E3KK0MDC15942	200111
		1FC3E3KK5MDC09926	200058	1FC3E3KK2MDC15943	200112
		1FC3E3KK7MDC09927	200059	1FC3E3KK4MDC15944	200113
		1FC3E3KK9MDC09928	200060	1FC3E3KK6MDC15945	200114
		1FC3E3KK0MDC09929	200061	1FC3E3KK8MDC15946	200115
		1FC3E3KK7MDC09930	200062	1FC3E3KKXMDC15947	200116
		1FC3E3KK9MDC09931	200063	1FC3E3KK1MDC15948	200117
		1FC3E3KK0MDC09932	200064	1FC3E3KK3MDC15949	200118
		1FC3E3KK2MDC09933	200065	1FC3E3KKXMDC15950	200119
		1FC3E3KK4MDC09934	200066	1FC3E3KK1MDC15951	200120
		1FC3E3KK6MDC09935	200067	1FC3E3KK3MDC15952	200121
		1FC3E3KK8MDC09936	200068	1FC3E3KK5MDC15953	200122
		1FC3E3KKXMDC09937	200069	1FC3E3KK7MDC19633	200123
		1FC3E3KK1MDC09938	200070	1FC3E3KK9MDC19634	200124
		1FC3E3KK3MDC09939	200071	1FC3E3KK0MDC19635	200125
		1FC3E3KKXMDC09940	200072	1FC3E3KK2MDC19636	200126
		1FC3E3KK1MDC09941	200073	1FC3E3KK4MDC19637	200127
		1FC3E3KK3MDC09942	200074	1FC3E3KK6MDC19638	200128
		1FC3E3KK5MDC09943	200075	1FC3E3KK8MDC19639	200129
		1FC3E3KK7MDC09944	200076	1FC3E3KK4MDC19640	200130
		1FC3E3KK9MDC09945	200077	1FC3E3KK6MDC19641	200131
		1FC3E3KK0MDC09946	200078	1FC3E3KK8MDC19642	200132
		1FC3E3KK2MDC09947	200079	1FC3E3KKXMDC19643	200133
		1FC3E3KK4MDC09948	200080	1FC3E3KK1MDC19644	200134
		1FC3E3KK6MDC09949	200081	1FC3E3KK3MDC19645	200135
		1FC3E3KK2MDC09950	200082	1FC3E3KK5MDC19646	200136
		1FC3E3KK6MDC15914	200083	1FC3E3KK7MDC19647	200137
		1FC3E3KK8MDC15915	200084	1FC3E3KK9MDC19648	200138
		1FC3E3KKXMDC15916	200085	1FC3E3KK0MDC19649	200139
		1FC3E3KK1MDC15917	200086	1FC3E3KK7MDC19650	200140
		1FC3E3KK3MDC15918	200087	1FC3E3KK9MDC19651	200141
		1FC3E3KK5MDC15919	200088	1FC3E3KK0MDC19652	200142
		1FC3E3KK1MDC15920	200089	1FC3E3KK2MDC19653	200143
		1FC3E3KK3MDC15921	200090	1FC3E3KK4MDC19654	200144
		1FC3E3KK5MDC15922	200091	1FC3E3KK6MDC19655	200145
		1FC3E3KK7MDC15923	200092		
		1FC3E3KK9MDC15924	200093		

<b>12' Body - JV003092</b>					
Chassis Vin#	Unit#				
1FC3E3KK2MDC02576	200001	1FC3E3KK7MDC09930	200062	1FC3E3KKXMDC15947	200116
1FC3E3KK4MDC07777	200002	1FC3E3KK9MDC09931	200063	1FC3E3KK1MDC15948	200117
1FC3E3KK6MDC07778	200003	1FC3E3KK0MDC09932	200064	1FC3E3KK3MDC15949	200118
1FC3E3KK8MDC07779	200004	1FC3E3KK2MDC09933	200065	1FC3E3KKXMDC15950	200119
1FC3E3KK4MDC07780	200008	1FC3E3KK4MDC09934	200066	1FC3E3KK1MDC15951	200120
1FC3E3KK6MDC07781	200009	1FC3E3KK6MDC09935	200067	1FC3E3KK3MDC15952	200121
1FC3E3KK8MDC07782	200015	1FC3E3KK8MDC09936	200068	1FC3E3KK5MDC15953	200122
1FC3E3KKXMDC07783	200016	1FC3E3KKXMDC09937	200069	1FC3E3KK7MDC19633	200123
1FC3E3KK1MDC07784	200017	1FC3E3KK1MDC09938	200070	1FC3E3KK9MDC19634	200124
1FC3E3KK3MDC07785	200018	1FC3E3KK3MDC09939	200071	1FC3E3KK0MDC19635	200125
1FC3E3KK5MDC07786	200019	1FC3E3KKXMDC09940	200072	1FC3E3KK2MDC19636	200126
1FC3E3KK7MDC07787	200020	1FC3E3KK1MDC09941	200073	1FC3E3KK4MDC19637	200127
1FC3E3KK9MDC07788	200021	1FC3E3KK3MDC09942	200074	1FC3E3KK6MDC19638	200128
1FC3E3KK0MDC07789	200022	1FC3E3KK5MDC09943	200075	1FC3E3KK8MDC19639	200129
1FC3E3KK7MDC07790	200023	1FC3E3KK7MDC09944	200076	1FC3E3KK4MDC19640	200130
1FC3E3KK9MDC07791	200024	1FC3E3KK9MDC09945	200077	1FC3E3KK6MDC19641	200131
1FC3E3KK0MDC07792	200025	1FC3E3KK0MDC09946	200078	1FC3E3KK8MDC19642	200132
1FC3E3KK2MDC07793	200026	1FC3E3KK2MDC09947	200079	1FC3E3KKXMDC19643	200133
1FC3E3KK4MDC07794	200027	1FC3E3KK4MDC09948	200080	1FC3E3KK1MDC19644	200134
1FC3E3KK6MDC07795	200028	1FC3E3KK6MDC09949	200081	1FC3E3KK3MDC19645	200135
1FC3E3KK8MDC07796	200029	1FC3E3KK2MDC09950	200082	1FC3E3KK5MDC19646	200136
1FC3E3KKXMDC07797	200030	1FC3E3KK6MDC15914	200083	1FC3E3KK7MDC19647	200137
1FC3E3KK1MDC07798	200031	1FC3E3KK8MDC15915	200084	1FC3E3KK9MDC19648	200138
1FC3E3KK3MDC07799	200032	1FC3E3KKXMDC15916	200085	1FC3E3KK0MDC19649	200139
1FC3E3KK6MDC07800	200033	1FC3E3KK1MDC15917	200086	1FC3E3KK7MDC19650	200140
1FC3E3KK8MDC07801	200034	1FC3E3KK3MDC15918	200087	1FC3E3KK9MDC19651	200141
1FC3E3KKXMDC07802	200035	1FC3E3KK5MDC15919	200088	1FC3E3KK0MDC19652	200142
1FC3E3KK1MDC07803	200036	1FC3E3KK1MDC15920	200089	1FC3E3KK2MDC19653	200143
1FC3E3KK3MDC07804	200037	1FC3E3KK3MDC15921	200090	1FC3E3KK4MDC19654	200144
1FC3E3KK5MDC07805	200038	1FC3E3KK5MDC15922	200091	1FC3E3KK6MDC19655	200145
1FC3E3KK7MDC07806	200039	1FC3E3KK7MDC15923	200092		
		1FC3E3KK9MDC15924	200093		

TABLE OF CONTENTS	4
INTRODUCTION	5
CAB - ENGINE BOX - WINDSHIELD	6-7
STEPS - WIPER COVER - CAB INSULATION	8-9
HEATER - DEFROSTER	10-11
HOOD	12-13
INSTRUMENT PANEL & SEATS	14-15
FLOOR 12'	16-17
FLOOR 16'	18-19
SIDES 12'	20-21
SIDES 16'	22-23
ROOF - BACK	24-25
SIDE DOOR - SIDE DOOR POCKET	26-27
BULKHEAD	28-29
ROLL UP DOOR - 47005932	30-35
SHELVING 12'	36-37
SHELVING 16'	38-39
BUMPERS - KEYLESS SYSTEMS	40-41
MIRRORS & WIPER ASSEMBLY	42-43
MISCELLANEOUS	44-45
ELECTRICAL	46-47
WALK-IN VAN COMMON FASTENERS	48-52
WIRING HARNESS	53
WIRING DIAGRAMS	54-92

This parts guide contains illustrations and part numbers for Canada Post Package Delivery Vehicles and applies to bill of material #s; 16' Body - JV002941 & 12' Body - JV003092 produced in 2020.

**How to order parts from Morgan Olson.**

The first step is to locate the part numbers you would like to order.

**Method 1 (Recommended)**

Go to our parts web site, [WWW.MORGANOLSONPARTS.COM](http://WWW.MORGANOLSONPARTS.COM) and search your vehicle VIN number to get a list of parts generated directly from your vehicles Bill of Material.

You can filter the list of items further by selecting the category for the location of the parts. IE. Bumper, Hood, Glass, Rear Door, etc.

You may change the search drop down menu to search by part number, description, unit number or VMRS number.

**Method 2**

Use this parts catalog to identify your part numbers.

Then go to [WWW.MORGANOLSONPARTS.COM](http://WWW.MORGANOLSONPARTS.COM) and search by part number to get pricing availability, add the items to your shopping cart.

**Method 3**

Call our Parts Department at 1-800-233-4823.

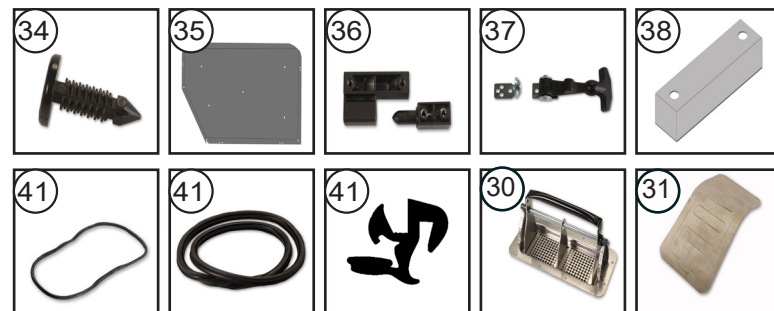
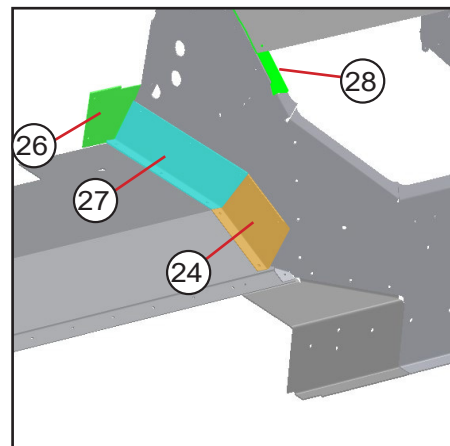
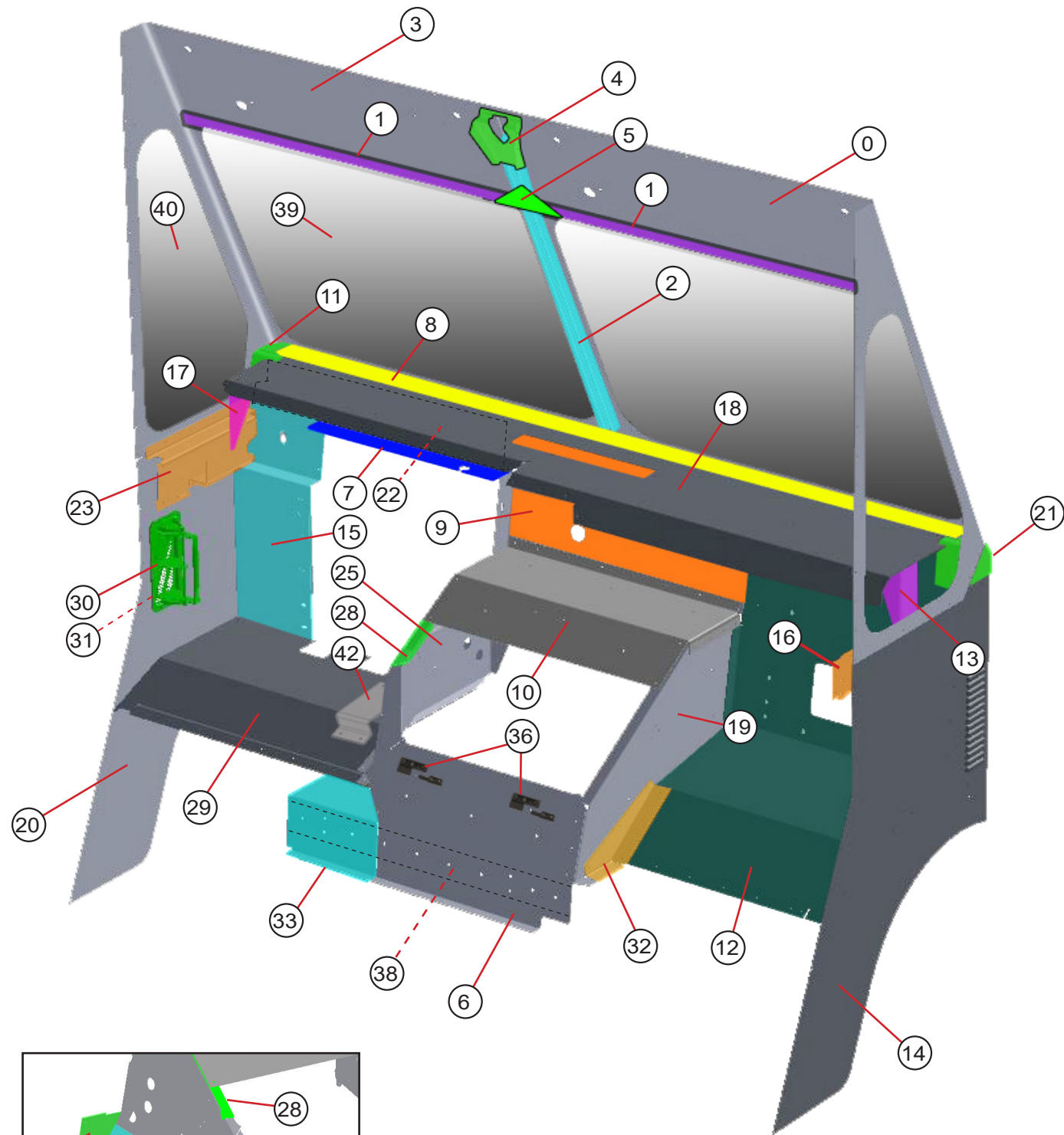
Please have your VIN number available and one of our customer service representatives will be able to help you identify the parts you need.

\*If you already know the part numbers for the items you want to order, use our Quick Order page to enter your part numbers and quantities, then click add to cart. [HTTPS://WWW.MORGANOLSONPARTS.COM/QUICK-ORDER](https://WWW.MORGANOLSONPARTS.COM/QUICK-ORDER)

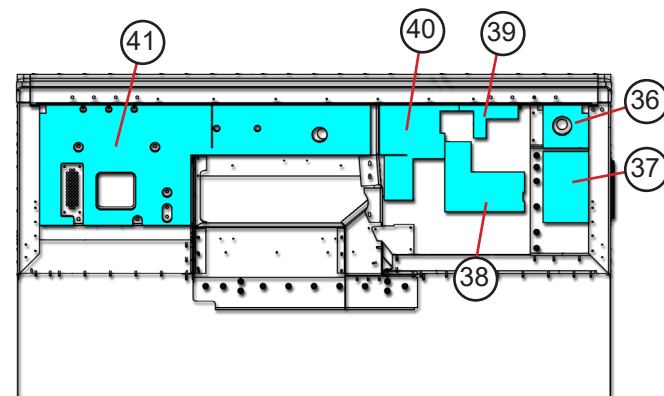
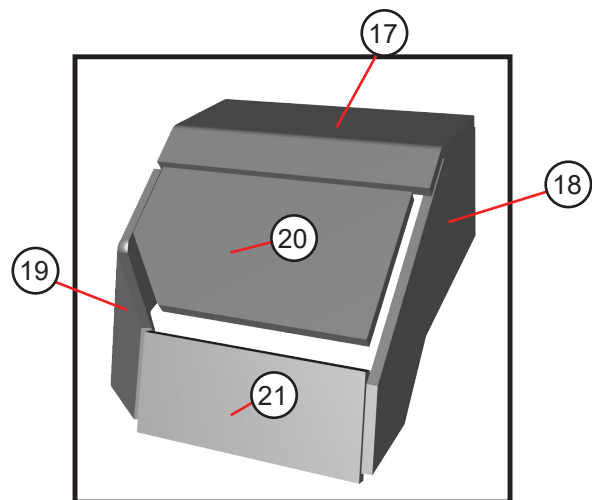
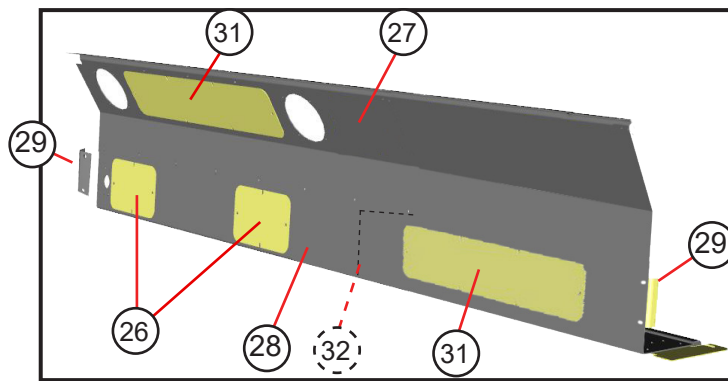
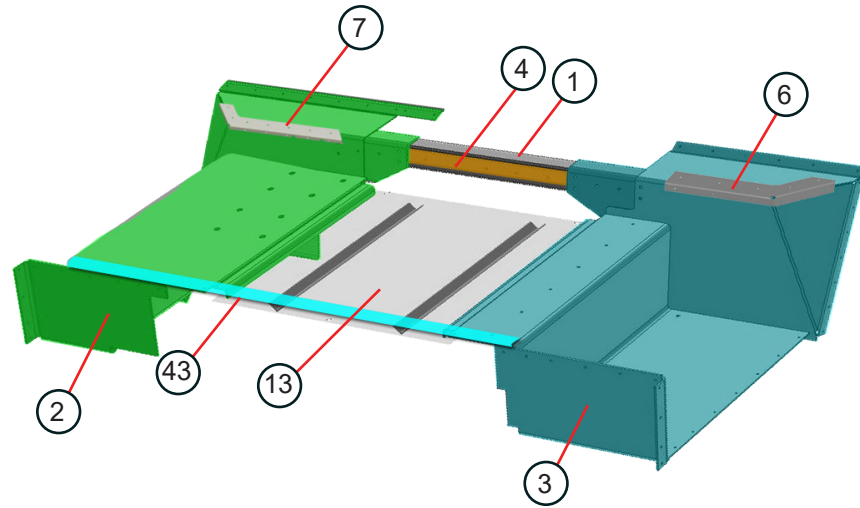
FOR WARRANTY INFORMATION CALL 1-800-262-3437

ANY QUESTIONS OR CONCERNS SHOULD BE DIRECTED TO YOUR SERVICE PARTS REPRESENTATIVE AT 1-800-233-4823

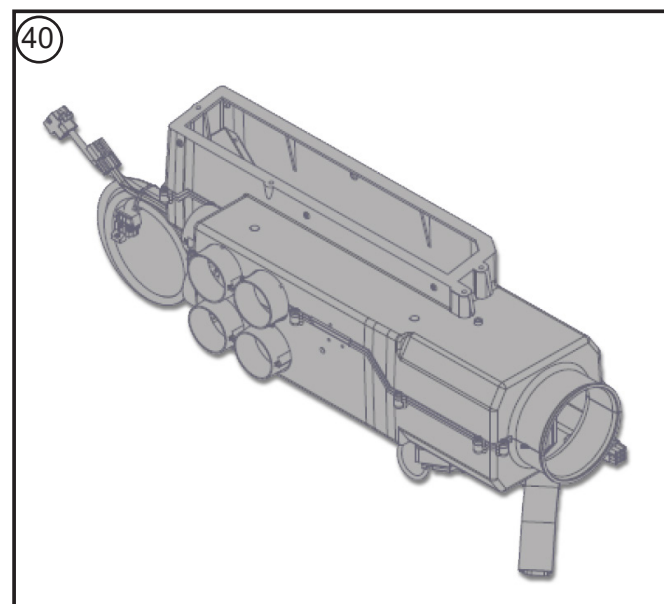
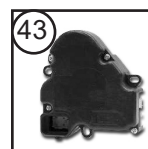
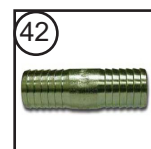
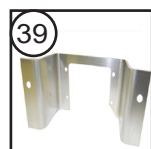
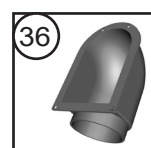
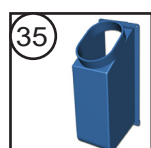
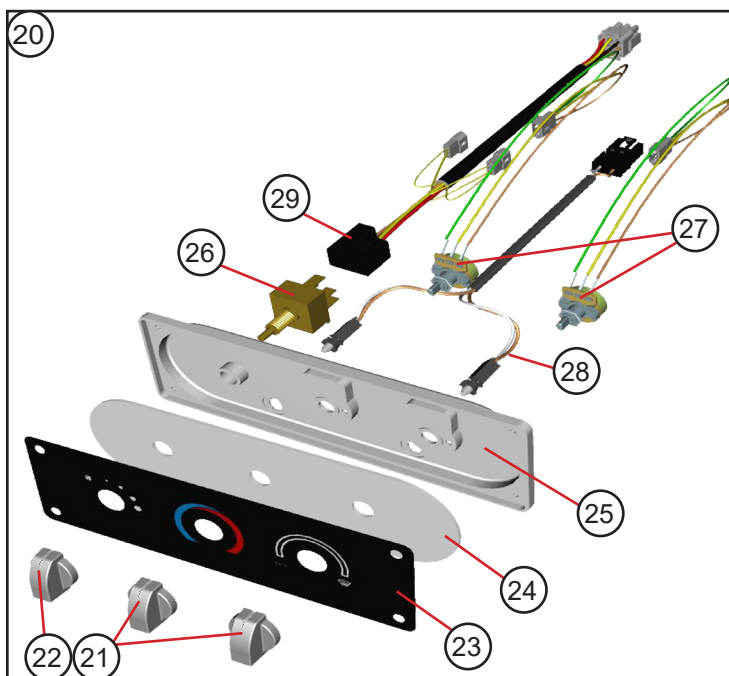
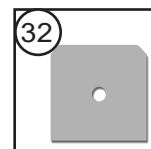
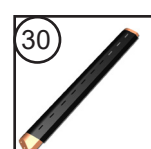
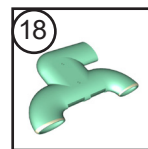
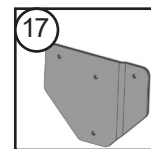
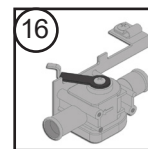
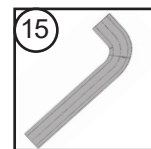
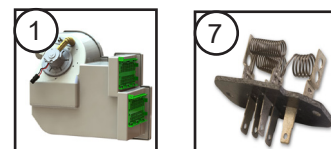
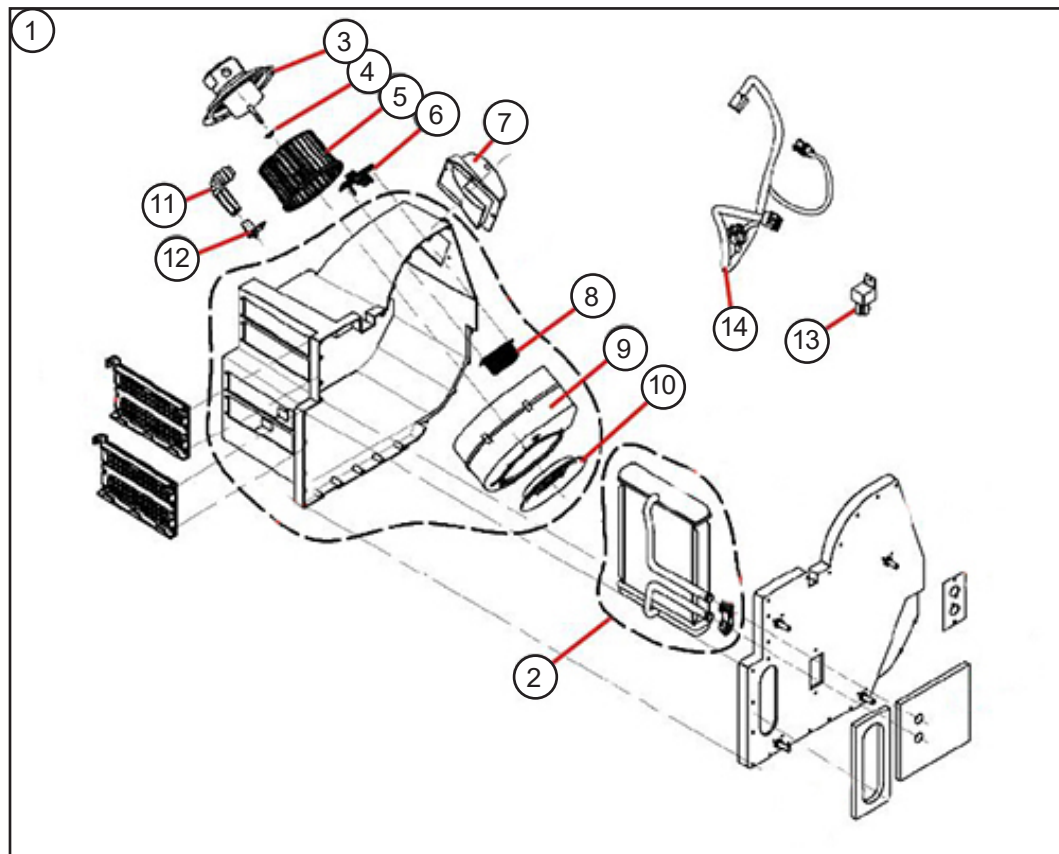
At Morgan Olson, our quest for quality and safety is ongoing and therefore the specifications on the product described herein may vary over time. Please contact Morgan Olson for the latest product information and available safety features and options.



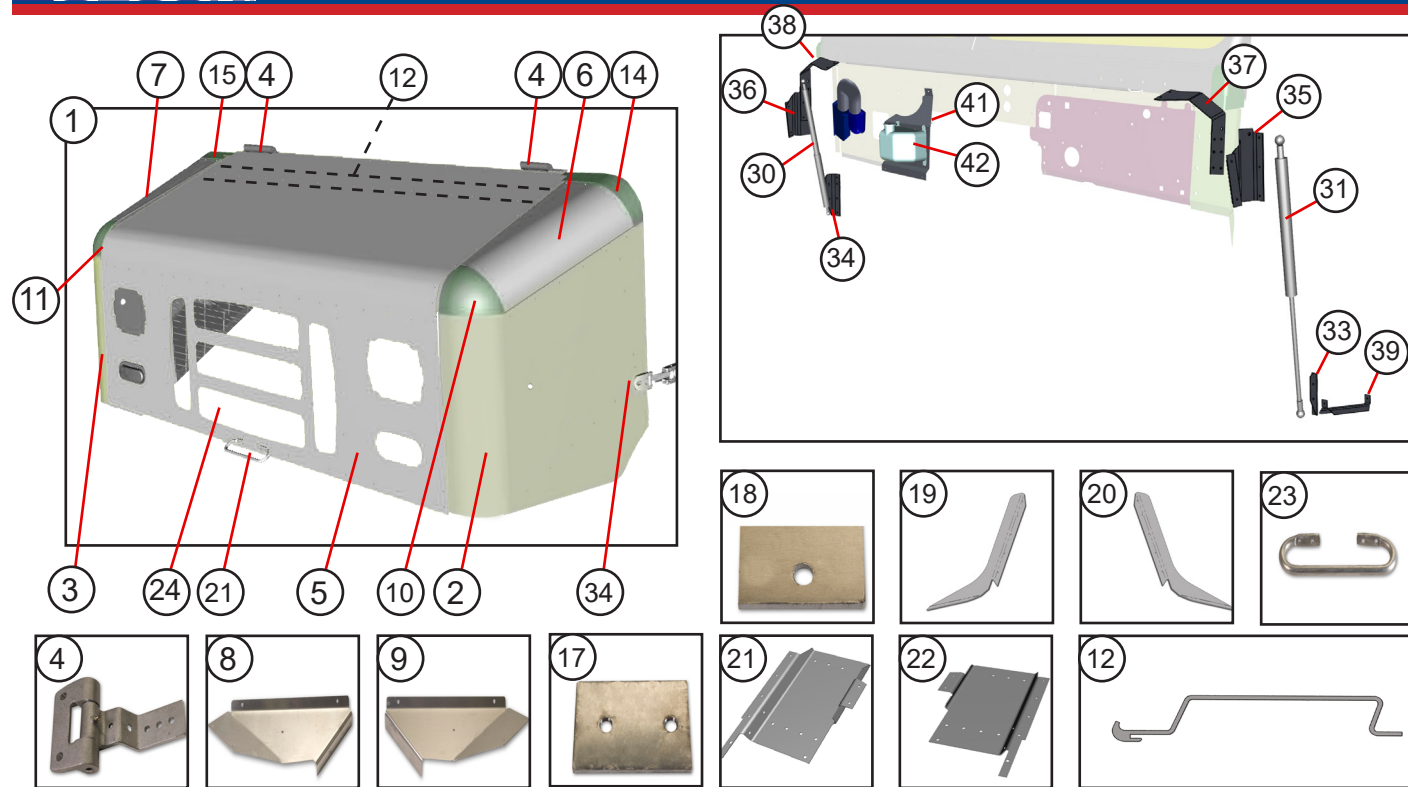
ITEM	PART #	DESCRIPTION	QTY.	UNIT
0	<a href="#">088055402</a>	FRAME W/S AL .102X49.72X70.07 RH	1	EA
1	<a href="#">077055404</a>	STIFFENER W/S AL 450540X44.25	2	EA
2	<a href="#">077055400</a>	POST W/S CENTER AL 450540X40	1	EA
3	<a href="#">088055401</a>	FRAME W/S AL .102X49.72X69.77 LH	1	EA
4	<a href="#">077055402</a>	GUSSET FRAME W/S AL .125X6.49X7.27	1	EA
5	<a href="#">998555329</a>	GUSSET FRAME W/S AL .125X4.6X9.19	1	EA
6	<a href="#">155005411</a>	ENGINE BOX SADDLE AL .102X15.61X23.8	1	EA
7	<a href="#">155005409</a>	DASH WALL UPPER AL .125X4.57X23.75 LH	1	EA
8	<a href="#">083023402</a>	RAIL W/S 93W AL 851100X89	1	EA
9	<a href="#">165005410</a>	DASH WALL CENTER AL .102X14.85X31.69	1	EA
10	<a href="#">095005437</a>	ENGINE BOX TOP AL .102X15.68X30.51	1	EA
11	<a href="#">8502000</a>	CORNER AL CAST W/S LH	1	EA
12	<a href="#">165005412</a>	TOEBOARD AL .102X32.88X47.75 RH	1	EA
13	<a href="#">177005412</a>	SUPPORT RAIL W/S AL.102X5.74X8.27 RH	1	EA
14	<a href="#">165005411</a>	CAB SKIRT AL .07X40.6X44.91 RH	1	EA
15	<a href="#">095005435</a>	DASH WALL OUTER AL .102X13.64X28.36	1	EA
16	<a href="#">157005402</a>	STIFFENER W/S AL .125X12.07X17.69 RH	1	EA
17	<a href="#">177005411</a>	SUPPORT RAIL W/S AL .102X8.26X9.65 LH	1	EA
18	<a href="#">125027406</a>	SHELF DASH AL .102X13.74X89	1	EA
19	<a href="#">155005418</a>	ENGINE BOX PANEL AL .125X21.52X29.91 RH	1	EA
20	<a href="#">095005444</a>	CAB SKIRT AL .07X40.60X45.91 LH	1	EA
21	<a href="#">8502001</a>	CORNER AL CAST W/S RH	1	EA
22	<a href="#">095005431</a>	DASH WALL UPPER AL .102X7.36X36.26 LH	1	EA
23	<a href="#">083005521</a>	STIFFENER W/S AL .125X10.93X17.81 LH	1	EA
24	<a href="#">155005419</a>	ENGINE BOX ADAPTOR AL .102X4.72X9.82	1	EA
25	<a href="#">155005412</a>	ENGINE BOX PANEL AL .102X19.94X32.53 LH	1	EA
26	<a href="#">115005452</a>	CLOSURE CAB AL .07X4.67X6.6	1	EA
27	<a href="#">115005450</a>	ADAPTOR ENGINE BOX AL .102X4.36X13.39	1	EA
28	<a href="#">205005408</a>	ENGINE BOX PANEL AL .102X2.59X11.82 LH	1	EA
29	<a href="#">115005453</a>	TOEBOARD AL .125X21.01X36.54 LH	1	EA
30	<a href="#">47008545</a>	VENT AL 2WAY HINGELESS (VENT GUARD <a href="#">003711425</a> )	1	EA
31	<a href="#">47008548</a>	GASKET FOR SALEM VENT #47008545	1	EA
32	<a href="#">077050406</a>	GUSSET TOEBOARD AL .125X5.33X14.88 RH	1	EA
33	<a href="#">155005416</a>	ENGINE BOX SADDLE FILLER AL .102X12.8X13.78	1	EA
34	<a href="#">47006630</a>	CLIP PLASTIC ROUND HEAD 1.32-1.34	17	EA
35	<a href="#">105028400</a>	LID ENGINE BOX AL .102X18.58X32.44	1	EA
36	<a href="#">47007859</a>	HINGE OFFSET	2	EA
37	<a href="#">1113336</a>	LATCH ENGINE BOX	2	EA
38	<a href="#">117028400</a>	SHIM ENGINE BOX	1	EA
39	<a href="#">96756400</a>	GLASS WINDSHIELD	2	EA
40	<a href="#">083056401</a>	GLASS SIDE TRIANGLE	2	EA
41	<a href="#">44004303</a>	WINDOW STRIP X147.5	2	EA
41	<a href="#">44004305</a>	WINDOW STRIP X85.5	2	EA
42	<a href="#">155005420</a>	HEEL REST ALD .125X11.17X11.83	1	EA



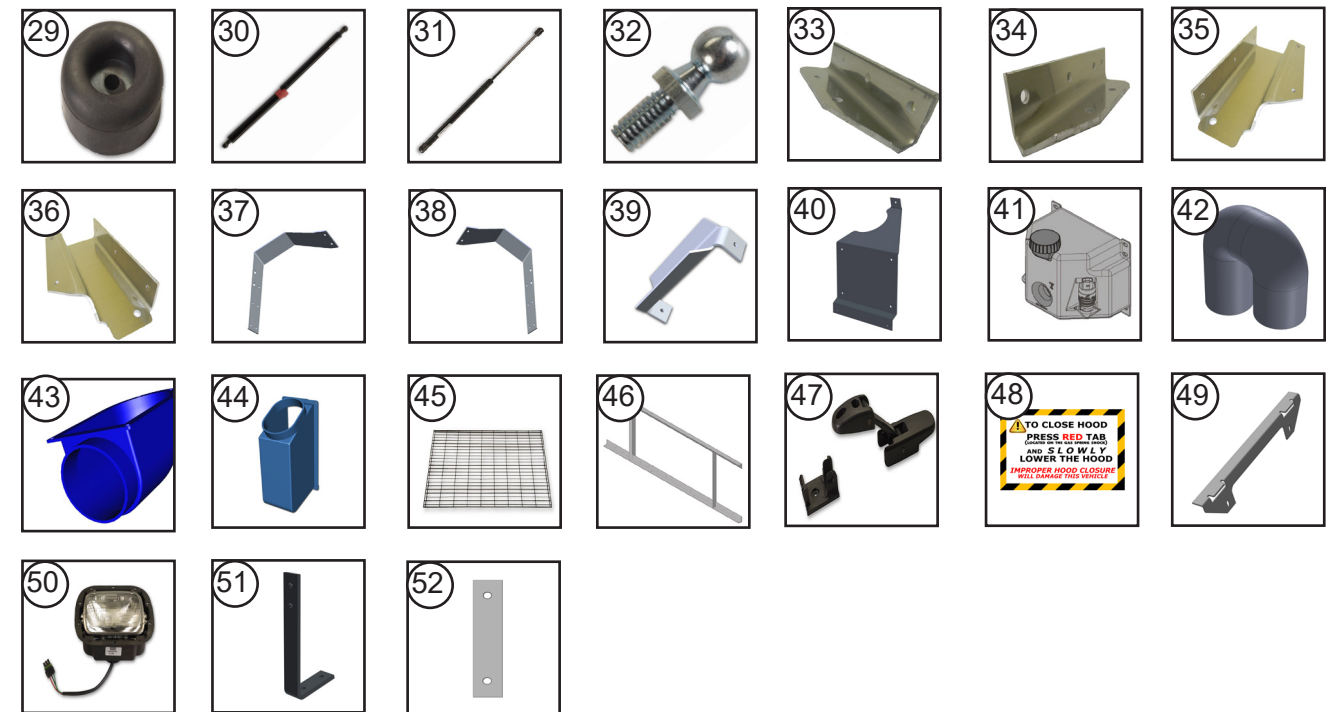
ITEM #	PART #	DESCRIPTION	QTY.	UNIT
1	<a href="#">077240400</a>	CROSSMEMBER CENTER AL 456106X41	1	EA
2	<a href="#">105024207</a>	STEP ASSEMBLY WELDMENT ROADSIDE 93W F59	1	EA
3	<a href="#">095024242</a>	STEP ASSEMBLY WELDMENT CURBSIDE 93W F59	1	EA
4	<a href="#">077050402</a>	SHIM AL .25X1.62X20.8	1	EA
5	<a href="#">1107235</a>	PAD RUBBER RIBBED .125 X 30'	6	FT
6	<a href="#">095019437</a>	TRIM TOEBOARD ALD .08X7.54X23.87 RH	1	EA
7	<a href="#">175019403</a>	TRIM TOEBOARD ALD .08X2.77X31.31 LH	1	EA
10	<a href="#">41002103</a>	SEALANT ADHESIVE	2	EA
11	<a href="#">47009547</a>	SAFETY KIT 3 TRIANGLES IN STORAGE BOX	1	EA
12	<a href="#">47009548</a>	BRACKET MOUNTING TRIANGLE KIT	1	EA
13	<a href="#">095024260</a>	TRANSVERSE FLOOR PLATE WELDMENT	1	EA
14	<a href="#">40900080</a>	STUD	7	EA
15	<a href="#">40900081</a>	GROMMET HALF	7	EA
16	<a href="#">40900082</a>	SPRING	7	EA
17	<a href="#">195005413</a>	INSULATION E/BX TOP 1X12.18X28.34	1	EA
18	<a href="#">195005412</a>	INSULATION E/BX SIDE 1X17.56X27.46 RH	1	EA
19	<a href="#">195005414</a>	INSULATION E/BX SIDE 1X17.44X27.32 LH	1	EA
20	<a href="#">195005415</a>	INSULATION E/BX LID 1X12X25	1	EA
21	<a href="#">195005416</a>	INSULATION E/BX SADDLE 1X7X21.5	1	EA
22	<a href="#">47006630</a>	CLIP PLASTIC ROUND HEAD	17	EA
23	<a href="#">47009600</a>	CARPET GRAY ENGINE BOX LID	3	FT
26	<a href="#">088076431</a>	PLATE COVER WPR MTR AL .102X5X12	2	EA
27	<a href="#">088076431</a>	COVER MOTOR WPR AL .102X10.85X87.25	1	EA
28	<a href="#">165076402</a>	SHELF COVER AL .102X16.9X90.31	1	EA
29	<a href="#">088076449</a>	BRACKET MOUNTING AL .102X2.36X3.9 LH	3	EA
31	<a href="#">097076435</a>	PLATE COVER ACC AL .070X6X28.38	2	EA
32	<a href="#">088076451</a>	DIVIDER SHELF AL .102X9.01X9.46	1	EA
33	<a href="#">45200051</a>	TRASH RECEPTICLE	1	EA
34	<a href="#">05M078011</a>	SUPPORT TRACH RECEPTICLE AL .125X17.74X25.15	1	EA
35	<a href="#">1129005</a>	TRIM QUICK EDGE	7	FT
36	<a href="#">155116402</a>	ACOUSTICAL COWL INSULATION	1	EA
37	<a href="#">155116403</a>	ACOUSTICAL COWL INSULATION	1	EA
38	155116405	ACOUSTICAL COWL INSULATION	1	EA
39	155116406	ACOUSTICAL COWL INSULATION	1	EA
40	155116407	ACOUSTICAL COWL INSULATION	1	EA
41	095116400	INSULATION DASH WALL	1	EA
43	<a href="#">148019403</a>	TRIM @ O-LINE	1	EA



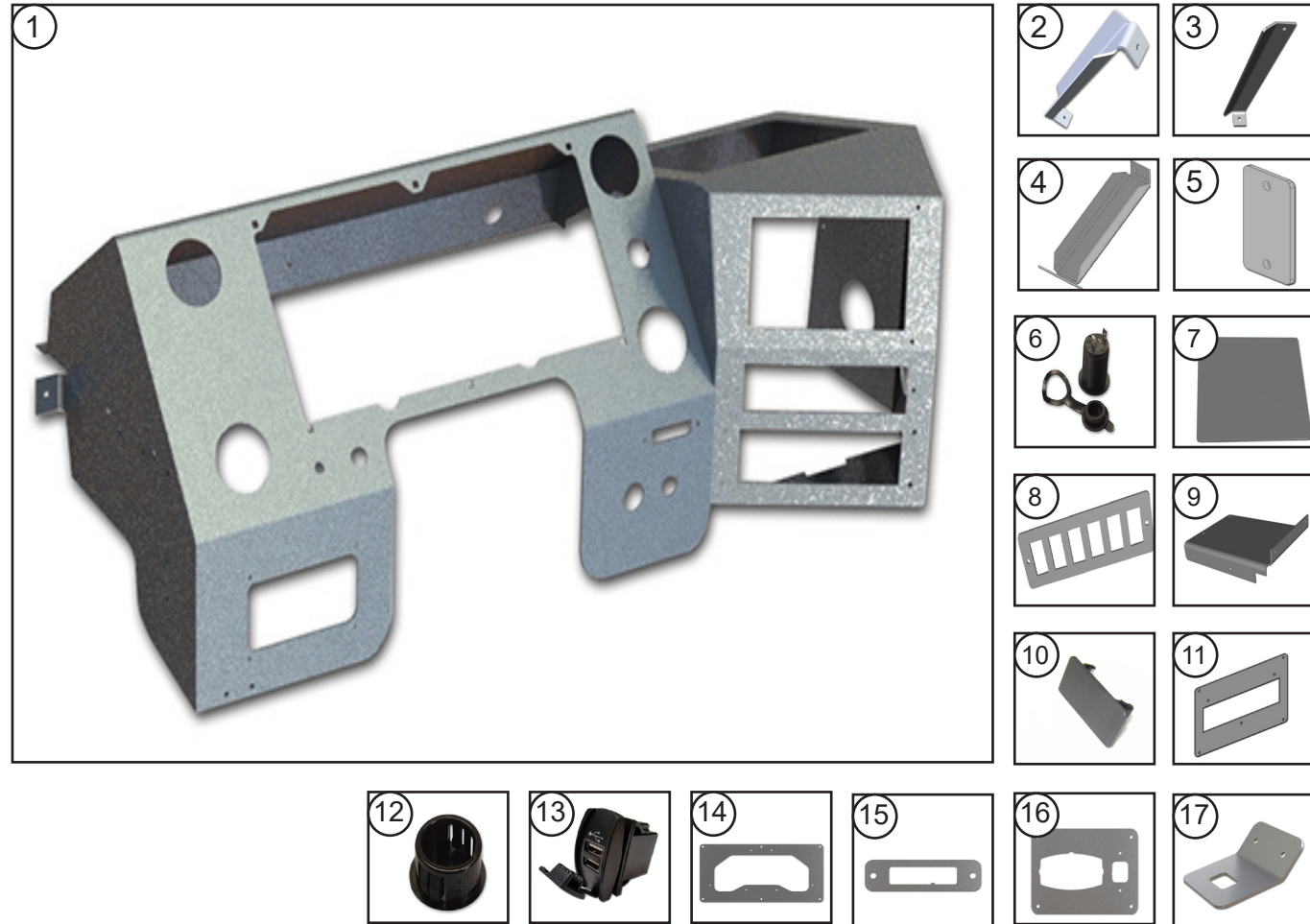
ITEM #	PART #	DESCRIPTION	QTY	UNIT
1	<a href="#">555001018</a>	HEATER ASSEMBLY	1	EA
2	<a href="#">47008797</a>	HEATER COIL W/GASKET	1	EA
3	<a href="#">46032339</a>	BLOWER MOTOR	1	EA
4	<a href="#">47008799</a>	CLIP	1	EA
5	<a href="#">47008769</a>	BLOWER WHEEL	1	EA
6	<a href="#">47008357</a>	RESISTER	1	EA
7	<a href="#">47008800</a>	HOSE ADAPTER	1	EA
8	<a href="#">47008795</a>	RESISTER CAGE	1	EA
9	<a href="#">47008794</a>	BLOWER HOUSING	1	EA
10	<a href="#">47008796</a>	VENTURI RING	1	EA
11	<a href="#">47008730</a>	VENT TUBE	1	EA
12	<a href="#">47008731</a>	VENT TUBE ADAPTER	1	EA
13	<a href="#">990002212</a>	RELAY	1	EA
14	<a href="#">47008758</a>	HARNES	1	EA
15	<a href="#">47008580</a>	FORMED HEATER HOSE	2	EA
16	<a href="#">555002053</a>	VALVE WATER	1	EA
17	<a href="#">105080401</a>	PLATE MOUNTING FOOT DUMP AL .07X4.25X5.53	1	EA
18	<a href="#">090080401</a>	DUCT FOOT DUMP - VENT	1	EA
20	<a href="#">555001413</a>	CONTROL PANEL ASSEMBLY	1	EA
21	<a href="#">47008706</a>	KNOB	2	EA
22	<a href="#">47008735</a>	KNOB	1	EA
23	<a href="#">47008707</a>	DECAL	1	EA
24	<a href="#">47008708</a>	LIGHT PANEL	1	EA
25	<a href="#">47008709</a>	CONTROL SUB PANEL	1	EA
26	<a href="#">46023202</a>	BLOWER SWITCH	1	EA
27	<a href="#">47008710</a>	POTENTIOMETER SWITCH	2	EA
28	<a href="#">47008711</a>	HARNES ILLUMINATION W/BULBS	1	EA
29	<a href="#">47008712</a>	HARNES BLOWER MOTOR SWITCH	1	EA
30	<a href="#">555001723</a>	DEFROST DUCT CURBSIDE METAL	1	EA
31	<a href="#">555001724</a>	DEFROST DUCT ROADSIDE METAL	1	EA
32	<a href="#">093080400</a>	HOLD DOWN PLATE DEFROSTER DUCTS	4	EA
33	<a href="#">555001524</a>	HOSE DEFROSTER 2.5X30	1	EA
34	<a href="#">555001525</a>	HOSE DEFROSTER 2.5X38 (2X DEFROSTER / 1XFOOT DUMP)	3	EA
35	<a href="#">555002006</a>	FRESH AIR INTAKE SIDE WALL	1	EA
36	<a href="#">555002005</a>	FRESH AIR INTAKE @ TOEBOARD	1	EA
37	<a href="#">555001715</a>	LOUVER BALL	6	EA
38	<a href="#">555001532</a>	HOSE BLOWER HEATER / DEFROSTER 4"	1	EA
39	<a href="#">002080400</a>	BRACKET MOUNTING WATER VALVE AL .102X3X11.67	1	EA
40	<a href="#">555001323</a>	PLENUM DUCT HVAC	1	EA
41	<a href="#">555001523</a>	HOSE DEFROSTER 2.5X16	1	EA
42	<a href="#">47008017</a>	CONNECTOR STRAIGHT .62ID BLACK NYLON	2	EA
43	<a href="#">47008705</a>	ACTUATOR MOTOR	1	EA



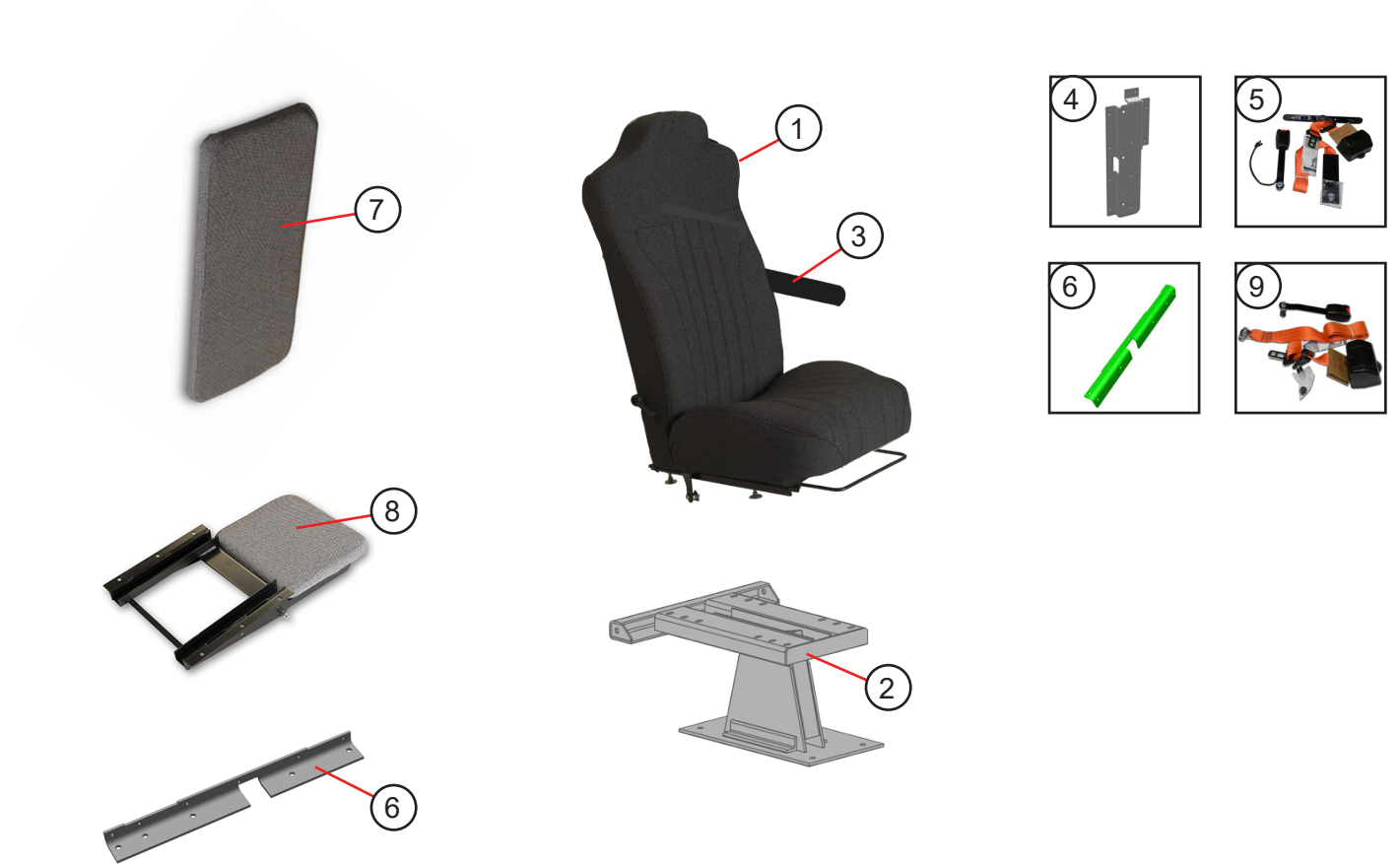
ITEM #	PART #	DESCRIPTION	QTY.	UNIT
1	<a href="#">095017207</a>	HOOD ASSEMBLY AL TILT 93W FORD	1	EA
2	<a href="#">095017405</a>	HOOD SKIRT AL .07X22.53X29.9 ROADSIDE	1	EA
3	<a href="#">095017406</a>	HOOD SKIRT AL .07X22.53X29.9 CURBSIDE	1	EA
4	<a href="#">47007852</a>	HINGE ASSEMBLY	2	EA
5	<a href="#">105017402</a>	PANEL HOOD AL .07X48.92X74	1	EA
6	<a href="#">095017407</a>	COWL HOOD ROADSIDE AL .07X15.19X17.47 LH	1	EA
7	<a href="#">095017408</a>	COWL HOOD CURBSIDE AL .07X15.19X17.47 RH	1	EA
8	<a href="#">95817312</a>	GUSSET CORNER ROADSIDE AL .07X13.52X14.72	1	EA
9	<a href="#">95817313</a>	GUSSET CORNER CURBSIDE AL .07X13.52X14.72	1	EA
10	<a href="#">45100057</a>	CORNER CAST KNEE COWL FRONT ROADSIDE	1	EA
11	<a href="#">45100058</a>	CORNER CAST KNEE COWL FRONT CURBSIDE	1	EA
12	<a href="#">167017413</a>	STIFFENER HOOD AL 450015X68.62	1	EA
14	<a href="#">45100060</a>	CAP COWL END ROADSIDE	1	EA
15	<a href="#">45100061</a>	CAP COWL END CURBSIDE	1	EA
17	<a href="#">91617304</a>	PLATE TAP AL .188X2X2.69	2	EA
18	<a href="#">96717312</a>	SHIM HOOD AL .125X.62X1.88	2	EA
19	<a href="#">095017420</a>	STIFFENER HOOD AL .102X15.92X22.83 LH	1	EA
20	<a href="#">095017421</a>	STIFFENER HOOD AL .102X15.92X22.83 RH	1	EA
21	<a href="#">095017422</a>	STIFFENER HOOD AL .102X10.98X12 LH	1	EA
22	<a href="#">095017423</a>	STIFFENER HOOD AL .102X10.98X12 RH	1	EA
23	<a href="#">90187300</a>	GRAB HANDLE .5DIA X15.7	1	EA
24	<a href="#">45700101</a>	MESH GRILLE 20.5X38.81	1	EA
NS	<a href="#">44004077</a>	SEAL TAPE #1458BTXF	4.42	FT



ITEM #	PART #	DESCRIPTION	QTY.	UNIT
29	<a href="#">44002004</a>	BUMPER RUBBER HOOD STOP	2	EA
30	<a href="#">47006105</a>	GAS SPRING WITH LOCK 110 LB	1	EA
31	<a href="#">47006106</a>	GAS SPRING WITH OUT LOCK 110 LB	1	EA
32	<a href="#">47006086</a>	STUD BALL .31-18	4	EA
33	<a href="#">077160405</a>	BRACKET LOWER HOOD AL .188X2.84X6.34 LH	1	EA
34	<a href="#">077160406</a>	BRACKET LOWER HOOD AL .188X2.84X6.34 RH	1	EA
35	<a href="#">077160400</a>	BRACKET HOOD AL .125X6.76X7.75 LH	1	EA
36	<a href="#">077160401</a>	BRACKET HOOD AL .125X6.76X7.75 RH	1	EA
37	<a href="#">095016401</a>	BRACKET GAS SPRING AL .125X6.41X16.41 LH	1	EA
38	<a href="#">095016402</a>	BRACKET GAS SPRING AL .125X6.41X16.41 RH	1	EA
39	<a href="#">095016403</a>	CAB SKIRT SUPPORT AL.125X3.38X11.18 LH	1	EA
40	<a href="#">165063401</a>	BRACKET BOTTLE AL .102X14.23X23.74	1	EA
41	<a href="#">47004505</a>	FLUID BOTTLE WINDOW WASHER W/PUMP	1	EA
42	<a href="#">555001532</a>	HOSE FRESH AIR PLENUM 4" (HOSE CLAMP 46026312)	1	EA
43	<a href="#">555002005</a>	FRESH AIR PLENUM HVAC TOBD	1	EA
44	<a href="#">555002006</a>	FRESH AIR PLENUM HVAC SIDE WALL	1	EA
45	<a href="#">45700101</a>	GRILLE MESH	1	EA
46	<a href="#">095017203</a>	GRILLE SUPPORT WELDMENT HOOD	1	EA
47	<a href="#">47000613</a>	LATCH HOOD	2	EA
48	<a href="#">43000903</a>	LABEL HOOD PROPER OPERATION	1	EA
49	<a href="#">175015400</a>	BRACKET HOOD REST	1	EA
50	<a href="#">46000213</a>	HEADLAMP ASSEMBLY	2	EA
51	<a href="#">175016400</a>	BRACKET HOOD PROP AL .188X1X9.03	1	EA
52	<a href="#">083016400</a>	SHIM AL .102X1X5.5	2	EA

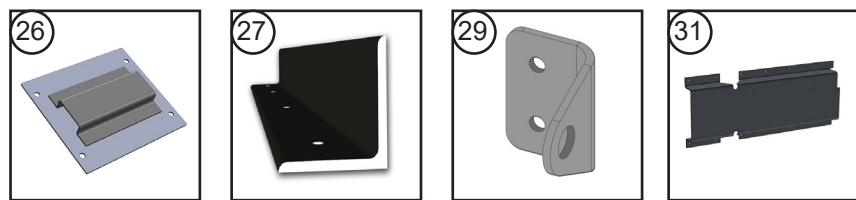
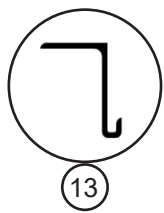
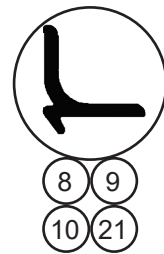
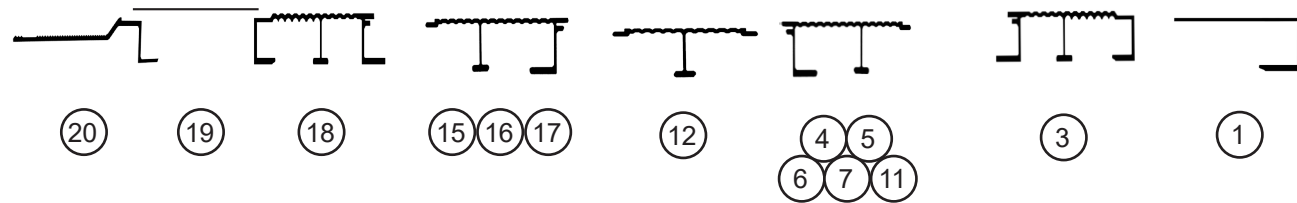
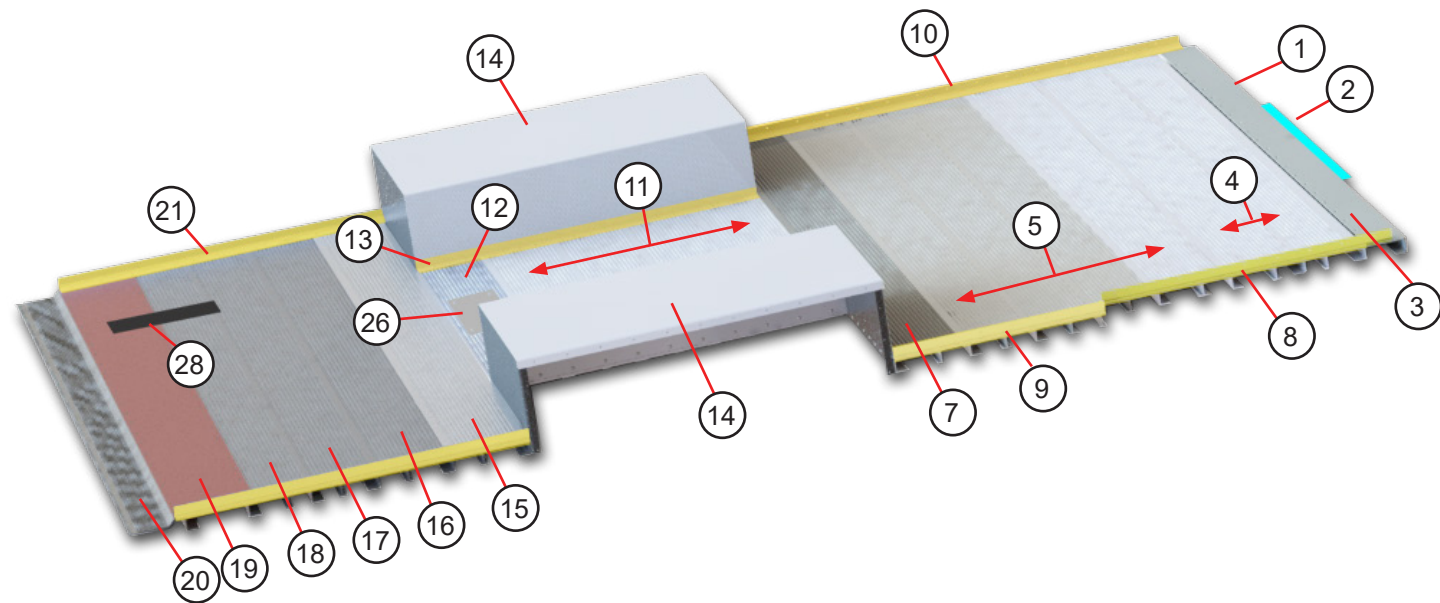


ITEM #	PART #	DESCRIPTION	QTY.	UNIT
1	205027202	INSTRUMENT PANEL WELDMENT FORD	1	EA
2	<a href="#">095027412</a>	BRACE INSTRUMENT PANEL AL .102X3.43X18.39 LH	1	EA
3	<a href="#">093027402</a>	BRACKET STIFFENER AL .125X1.91X12.66	1	EA
4	<a href="#">125027407</a>	BRACKET I/P AL .102X4.32X11.06	1	EA
5	<a href="#">095027408</a>	BLOCK OFF PLATE AL .102X1.32X2.30	1	EA
6	<a href="#">46026378</a>	RECEPTACLE 12 V	1	EA
7	<a href="#">128027421</a>	PLATE ACC COVER RADIO AL .102X9X11	1	EA
8	<a href="#">118027417</a>	PLATE FILLER ROCKER SWITCH AL .07X4.5X5.5	1	EA
9	<a href="#">125027416</a>	BRACKET MOUNTING AL .102X7.71X10.08	1	EA
10	<a href="#">46023506</a>	PLUG BLACK ROCKER SWITCH	3	EA
11	<a href="#">165027400</a>	PLATE COVER AL .07X5.74X8.64	1	EA
12	<a href="#">1111513</a>	PLUG BLACK ROUND	1	EA
13	<a href="#">46026432</a>	USB POWER POINT 5V 3.1A	1	EA
14	195027408	FACE PLATE I/P AL .102X8.66X17.3	1	EA
15	205027407	PLATE - HAZARD SWITCH AL .102X1X3.5	1	EA
16	205027405	PLATE MOUNTING - HEADLAMP SWITCH	1	EA
17	187027412	ANGLE MOUNTING SENSOR	1	EA

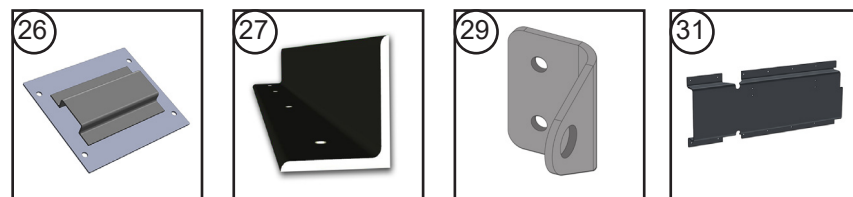
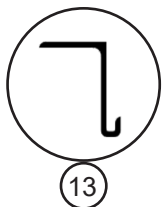
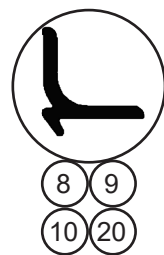
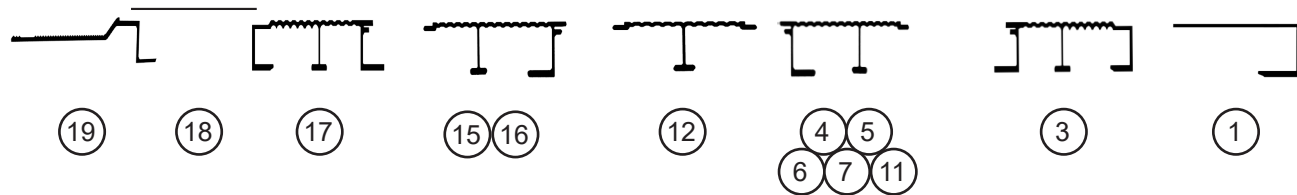
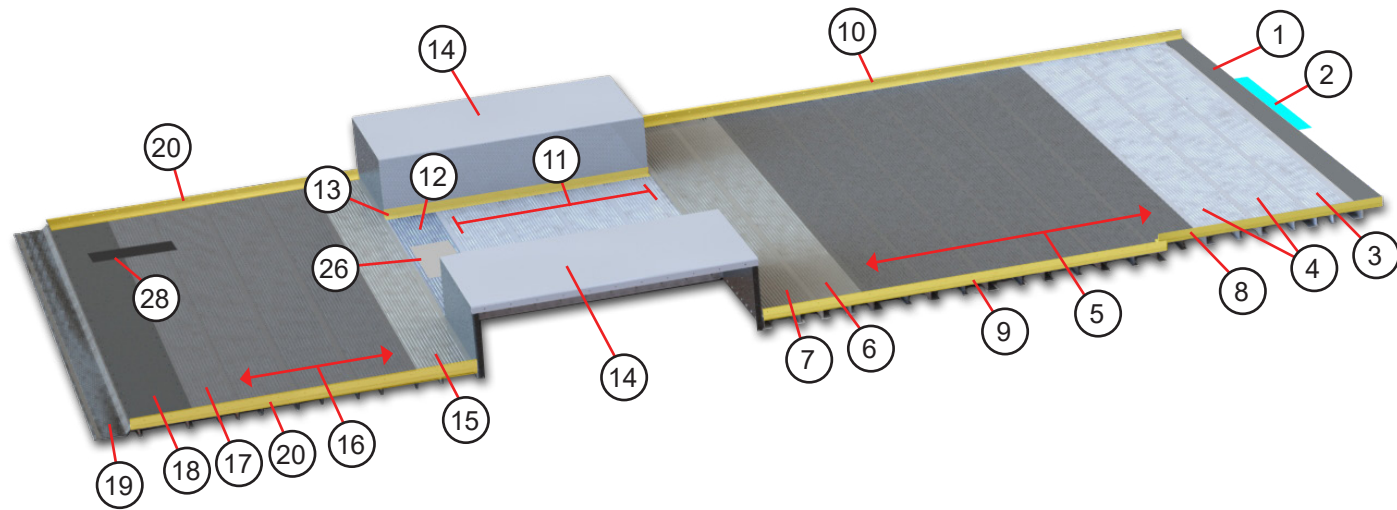


ITEM #	PART #	DESCRIPTION	QTY.	UNIT
1	<a href="#">47002685</a>	SEAT DRIVER	1	EA
2	47002686	SEAT BASE	1	EA
3	<a href="#">47011208</a>	ARM REST ROADSIDE (LH)	1	EA
4	<a href="#">98M582030</a>	BRACE SUPPORT STEEL 7GAX9.43X23.43	1	EA
5	<a href="#">47042600</a>	SEAT BELT WITH BOOT ADJUSTABLE D ORANGE	2	EA
6	<a href="#">91614300</a>	ANGLE FLOOR .188X2.84X19.1	1	EA
7	<a href="#">47002452</a>	HEAD / BACK REST JUMP SEAT	1	EA
8	<a href="#">47002080</a>	FOLDING SEAT JUMP	1	EA
9	<a href="#">47004366</a>	SEAT BELT W/BOOT 3 POINT ORANGE	1	EA

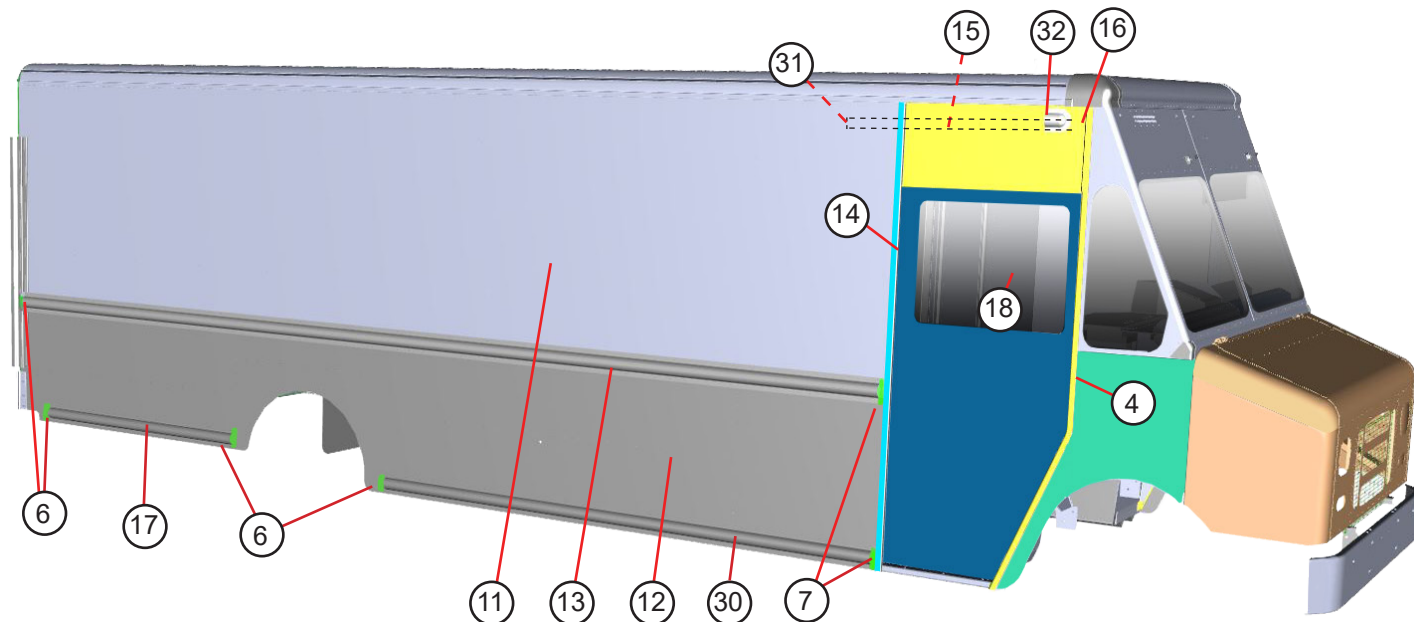
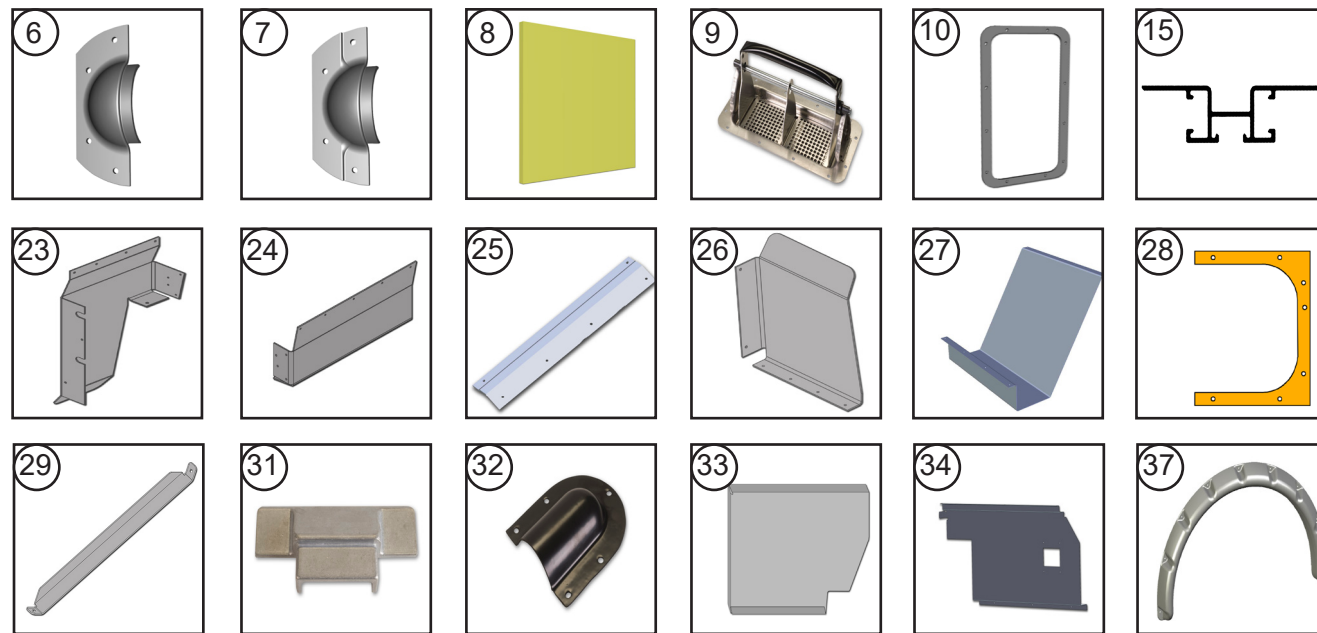
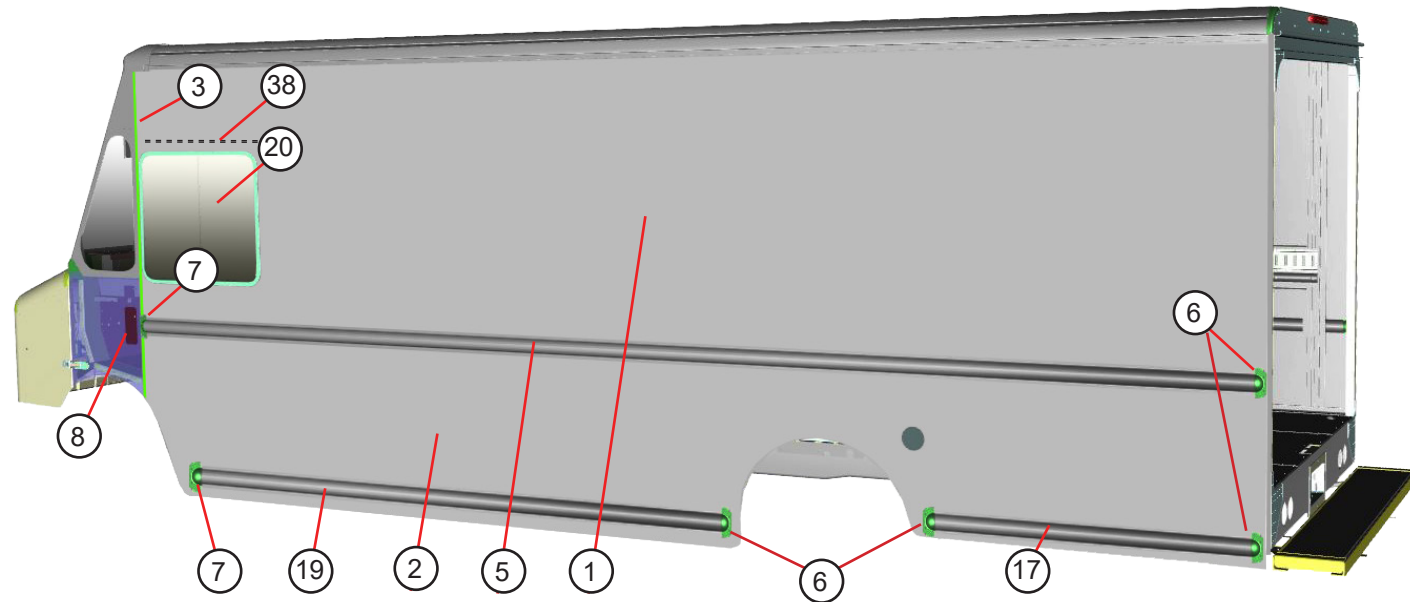




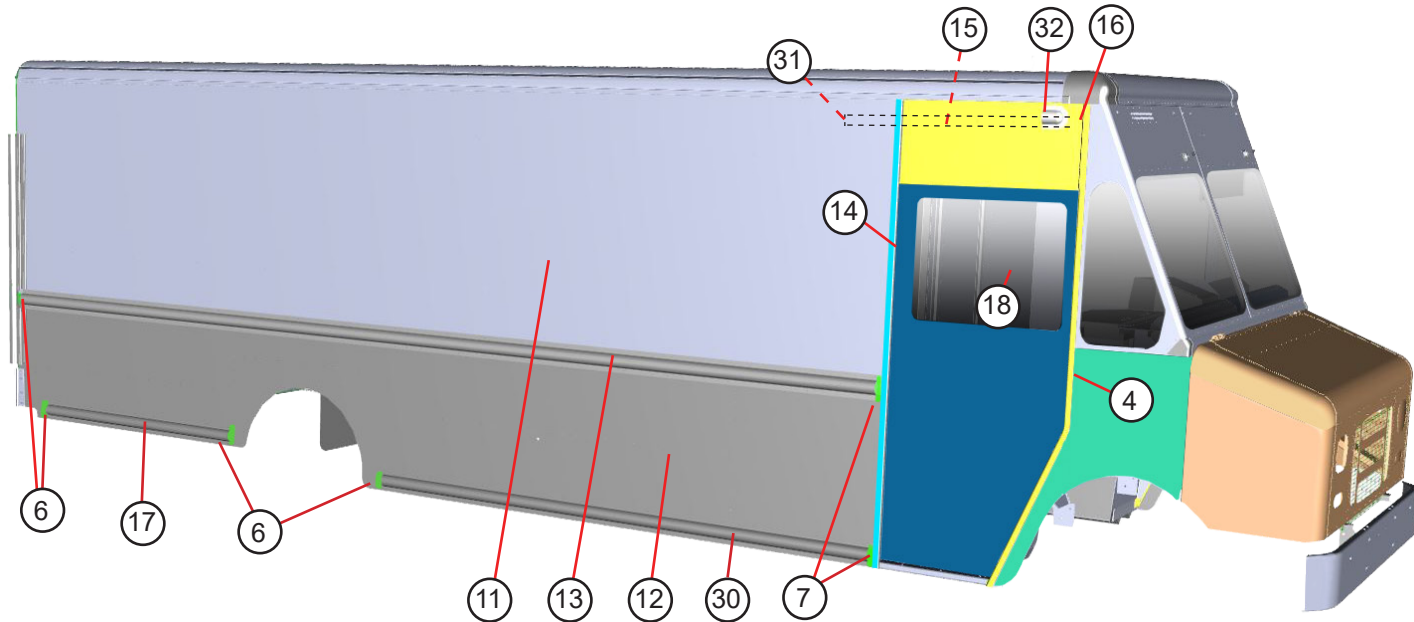
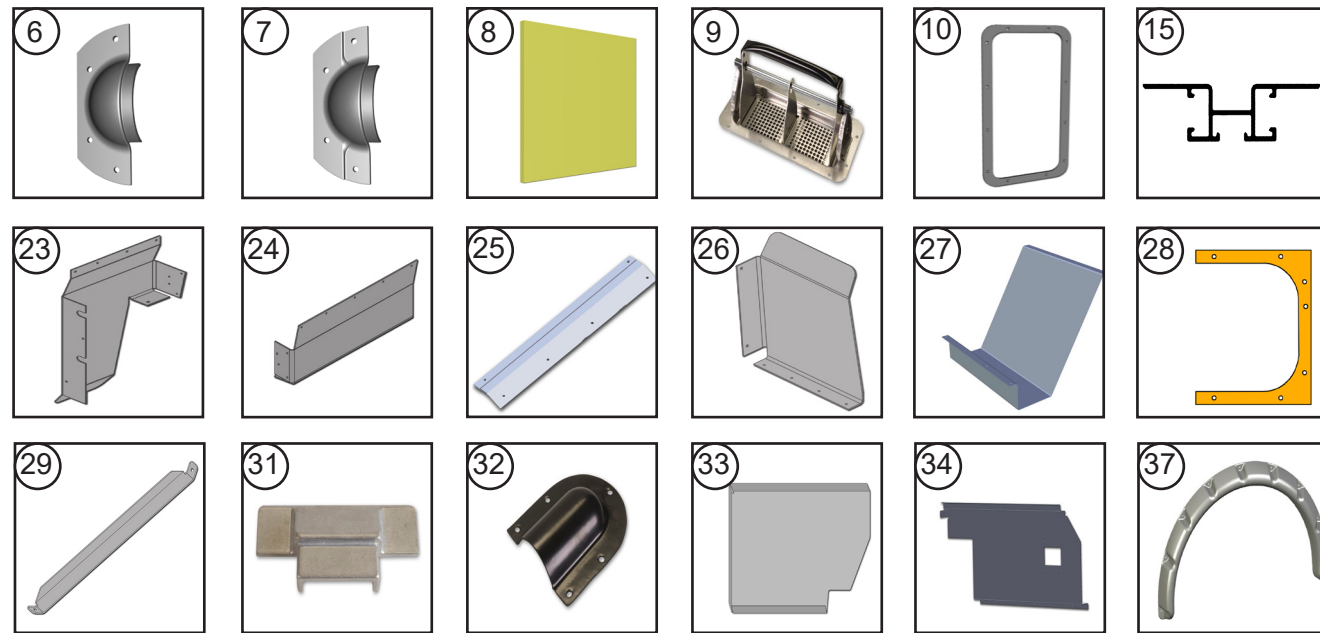
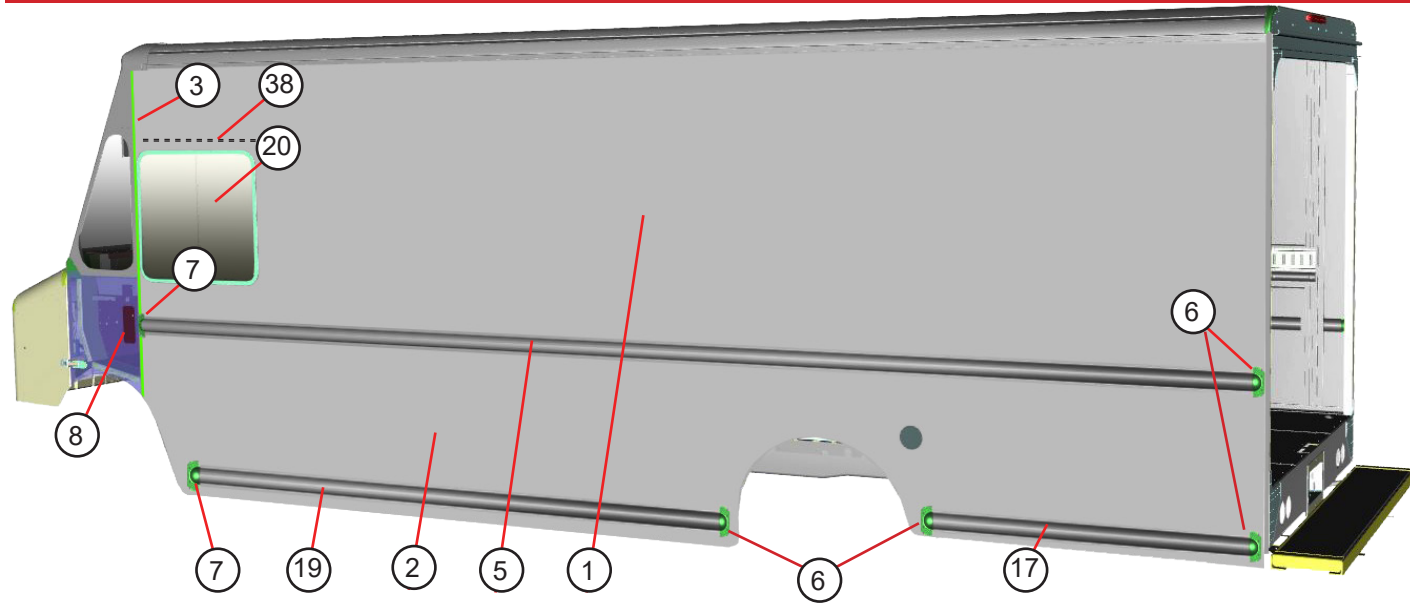
ITEM #	PART #	DESCRIPTION	QTY.	UNIT
1	<a href="#">095031411</a>	BEAM @ O/LINE AL 450408X89.25	1	EA
2	<a href="#">003330525</a>	ANGLE STEP 450187X34	1	EA
FLOOR FORWARD				
3	095031495	BEAM FLOOR RIB ALE450583X92.25 USE 45058302	1	EA
4	095031443	BEAM FLOOR RIB ALE450586X92.25 USE 45058602	2	EA
5	095031452	BEAM FLOOR RIB ALE450584X92.25 USE 45058401	3	EA
6		BLANK	-	-
7	095031477	BEAM FLOOR RIB ALE450587X92.25 USE 45058701	1	EA
8	<a href="#">095031424</a>	ANGLE FLOOR AT DR ALE450303X35.75	1	EA
9	<a href="#">095031418</a>	ANGLE FLOOR 2DR ALE450303X25.75 RH	1	EA
10	095031421	ANGLE FLOOR DLH ALE450303X100	1	EA
FLOOR MID				
11	095032428	BEAM FLOOR AL450586X49.26 USE 45058603	4	EA
12	095032426	BEAM FLOOR AL450585X49.26 USE 45058500	1	EA
13	<a href="#">095032425</a>	ANGLE W/BX ATTACH ALE450018X44	2	EA
14	<a href="#">095032206</a>	WHEEL BOX ASSEMBLY 93W 44"	2	EA
FLOOR REAR				
15	<a href="#">45058701</a>	BEAM FLOOR RIB M/FEM 8.5X92.25	1	EA
16	<a href="#">45058603</a>	BEAM FLOOR RIB M/FEM 9X92.25	1	EA
17	<a href="#">45058401</a>	BEAM FLOOR RIB M/FEM 8X92.25	1	EA
18	<a href="#">45058303</a>	BEAM FLOOR RIB FEM/LAP 7X92.25	1	EA
19	205033401	PLATE FILLER AL .125X9.68X92.38	1	EA
20	<a href="#">45059200</a>	DROP SILL AL FLOOR 1.88X92.69 45 RMP	1	EA
21		BLANK	-	-
ACCESS DOOR				
22	<a href="#">40900082</a>	SPRING	4	EA
23	<a href="#">40900080</a>	STUD	8	EA
24	<a href="#">40900081</a>	GROMMET HALF	8	EA
25	<a href="#">125012400</a>	SUPPORT ACCESS DOOR AL .125X12.22X17.59	1	EA
26	<a href="#">130032200</a>	DOOR ASSEMBLY - ACCESS	1	EA
27	<a href="#">150012400</a>	ANGLE SUPPORT ACCESS DOOR AL450187X29	2	EA
28	<a href="#">165127401</a>	BRACKET HAND CART AL .125X2X23.51	1	EA
29	<a href="#">150127456</a>	BRACKET BUNGEE HAND CART	2	EA
NS	<a href="#">45400581</a>	BUNGEE CORD 24" FOR HAND CART	1	EA
31	<a href="#">165127402</a>	BRACKET HAND CART AL .125X13.16X23.88	1	EA



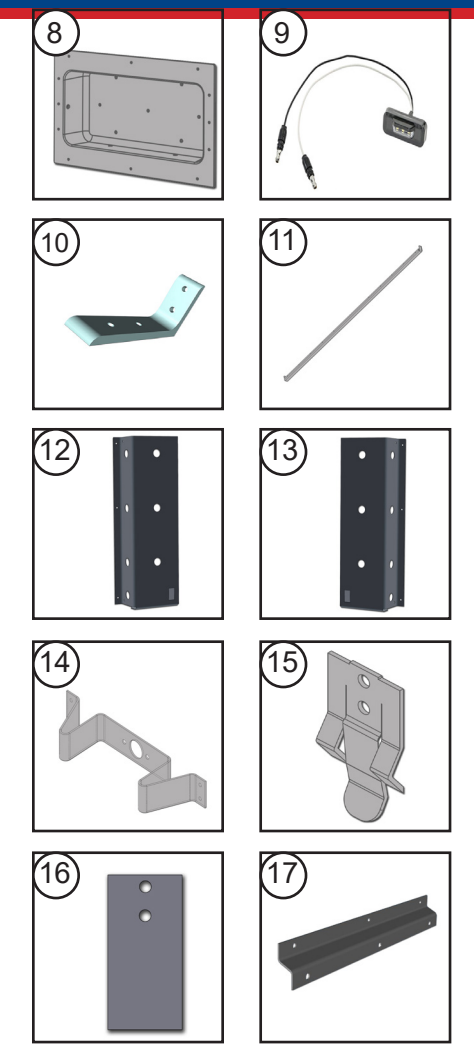
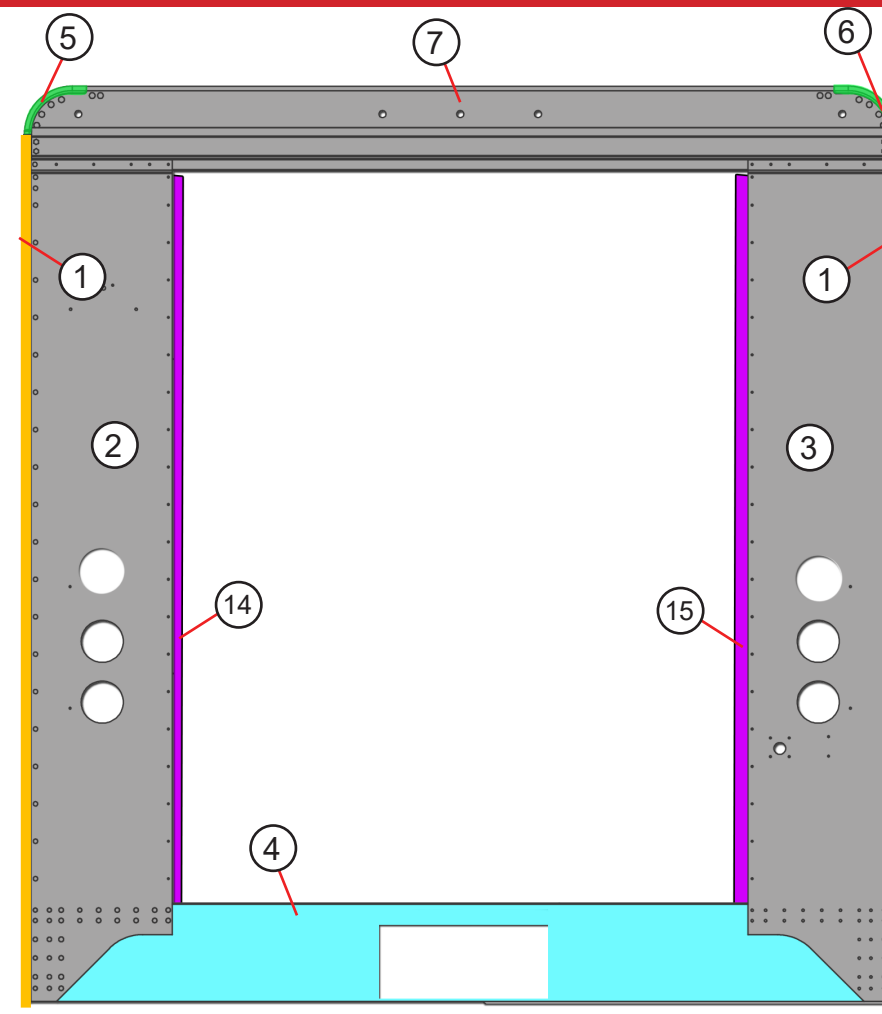
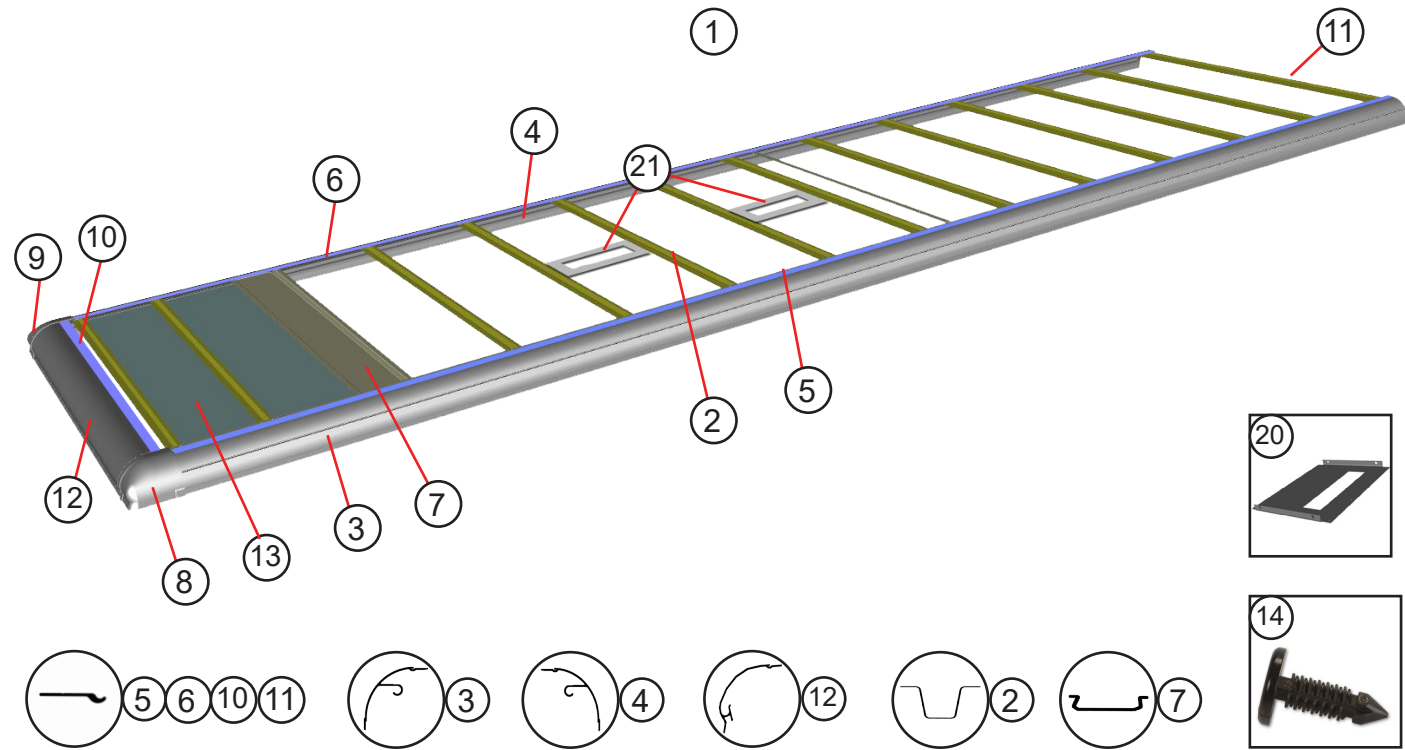
ITEM #	PART #	DESCRIPTION	QTY.	UNIT
1	<a href="#">095031411</a>	BEAM @ O/LINE AL 450408X89.25	1	EA
2	<a href="#">003330525</a>	ANGLE STEP 450187X34	1	EA
FLOOR FORWARD				
3	095031495	BEAM FLOOR RIB ALE450583X92.25	1	EA
4	095031443	BEAM FLOOR RIB ALE450586X92.25	2	EA
5	095031427	BEAM FLOOR RIB ALE450586X92.25	6	EA
6	095031452	BEAM FLOOR RIB ALE450584X92.25	1	EA
7	<a href="#">095031477</a>	BEAM FLOOR RIB ALE450587X92.25	1	EA
8	<a href="#">095031424</a>	ANGLE FLOOR AT DR ALE450303X35.75	1	EA
9	<a href="#">095031420</a>	ANGLE FLOOR 2DR ALE450303X63.75 RH	1	EA
10	<a href="#">095031423</a>	ANGLE FLOOR DLH ALE450303X100	1	EA
FLOOR MID				
11	095032428	BEAM FLOOR AL450586X49.26	4	EA
12	095032426	BEAM FLOOR AL450585X49.26	1	EA
13	<a href="#">095032425</a>	ANGLE W/BX ATTACH ALE450018X44	2	EA
14	<a href="#">095032206</a>	WHEEL BOX ASSEMBLY 93W 44"	2	EA
FLOOR REAR				
15	<a href="#">095031477</a>	BEAM FLOOR RIB ALE450587X92.25	1	EA
16	095031427	BEAM FLOOR RIB ALE450586X92.25	3	EA
17	095033417	BEAM FLOOR RIB M/FEM 8X92.25	1	EA
18	205033401	PLATE FILLER AL .125X9.68X92.38	1	EA
19	<a href="#">45059200</a>	DROP SILL AL FLOOR 1.88X92.69 45	1	EA
20	095033413	ANGLE FLOOR X52.19	2	EA
21		BLANK		
ACCESS DOOR				
22	<a href="#">40900082</a>	SPRING	4	EA
23	<a href="#">40900080</a>	STUD	8	EA
24	<a href="#">40900081</a>	GROMMET HALF	8	EA
25	<a href="#">125012400</a>	SUPPORT ACCESS DOOR AL .125X12.22X17.59	1	EA
26	<a href="#">130032200</a>	DOOR ASSEMBLY - ACCESS	1	EA
27	<a href="#">150012400</a>	ANGLE SUPPORT ACCESS DOOR AL450187X29	2	EA
28	<a href="#">165127401</a>	BRACKET HAND CART AL .125X2X23.51	1	EA
29	<a href="#">150127456</a>	BRACKET BUNGEE HAND CART	2	EA
NS	<a href="#">45400581</a>	BUNGEE CORD 24" FOR HAND CART	1	EA
31	<a href="#">165127402</a>	BRACKET HAND CART AL .125X13.16X23.88	1	EA



ITEM #	PART #	DESCRIPTION	QTY.	UNIT
1	205046400	SIDE PANEL UPPER AL .102X56X194.31 DLH	1	EA
2	205045400	SIDE PANEL LOWER AL .102X32X194.31 DLH	1	EA
3	<a href="#">095044300</a>	DOOR POST ASSEMBLY LH	1	EA
4	<a href="#">095041410</a>	DOOR POST RH	1	EA
5	088039323	RUB RAIL AL 450002X190.31 DLH	1	EA
6	<a href="#">1100799</a>	END CAP REAR AL.125X2.37X5.5	8	EA
7	<a href="#">1100800</a>	END CAP FORWARD AL .125X2.37X5.5	4	EA
8	<a href="#">7600165</a>	PLATE FILLER RUB RAIL AL.125X2.88X3	3	EA
9	<a href="#">47008545</a>	VENT AL 2WAY HNGLS	1	EA
10	<a href="#">47008548</a>	GASKET FOR VENT	1	EA
11	205038401	SIDE PANEL UPPER AL .102X56X153.31 RH	1	EA
12	205037402	SIDE PANEL LOWER AL .102X32X153.31 RH	1	EA
13	088039301	RUB RAIL AL 450002X149	1	EA
14	<a href="#">095038404</a>	POST "B" AL 450274X90.18 RH	1	EA
15	<a href="#">083042401</a>	STIFFENER HEADER AL RH ( 165042400 - LH )	1	EA
16	<a href="#">96742302</a>	CLIP AL Z .102X3X9.57	1	EA
17	148039421	RUB RAIL LOWER REAR AL450002X41.43	2	EA
18	<a href="#">13342990003</a>	WINDOW SLIDING RH	1	EA
19	148039447	RUB RAIL LOWER FRONT AL 450002X78.5	1	EA
20	<a href="#">13342990004</a>	WINDOW SLIDING LH	1	EA
NS	<a href="#">093019408</a>	STIFFENER ZEE BELOW WINDOW LH AL.07X7.59X16.19	1	EA
23	<a href="#">165026402</a>	SPLASH PAN AL .125X19.95X25.13 LH	1	EA
24	<a href="#">165026403</a>	SPLASH PAN AL .125X 10.42X19.2 RH	1	EA
25	<a href="#">113026402</a>	ADAPTOR SPLASH PAN AL .125X3.17X16.65 RH	1	EA
26	<a href="#">165026404</a>	SPLASH PAN AL .125X14.73X16.63 RH	1	EA
27	<a href="#">998526301</a>	SPLASH PAN FUEL FILL AL .07X19X30.44	1	EA
28	<a href="#">998512300</a>	SHIM FUEL FILL	1	EA
29	<a href="#">001744400</a>	GUSSETT FLOOR TO SIDE STRAP AL .125X2.1X16.02	3	EA
30	<a href="#">088039401</a>	RUB RAIL AL 450002X54.32	1	EA
31	<a href="#">45100074</a>	CAP RAIL END	2	EA
32	<a href="#">47008533</a>	CAP PLASTIC END VENT	2	EA
33	093019417	PANEL LNR BELOW WINDOW LH AL .102X31.57X38.46	1	EA
34	175019400	PANEL LNR ABOVE WINDOW LH AL .07X23.11X45.35	1	EA
NS	175019401	PANEL LNR ABOVE WINDOW RH AL .07X15.48X44.19	1	EA
NS	175019402	BRACKET PANEL LINER LH AL .102X6X8.1	1	EA
37	<a href="#">66104047</a>	FENDER RUBBER REAR	2	EA
NS	093019413	PANEL LNR ABOVE WINDOW AL .07X15.48X44.17 RH	1	EA
NS	<a href="#">1109001</a>	INSULATION FIBERGLASS	2.5	FT
NS	165040000	EXTENTION HANGER EXHAUST PIPE	1	EA
NS	40300930	"U" BOLT 11GA 3.5" HANGER	1	EA
38	<a href="#">89367380</a>	DRIP RAIL OVER WINDOW	1	EA

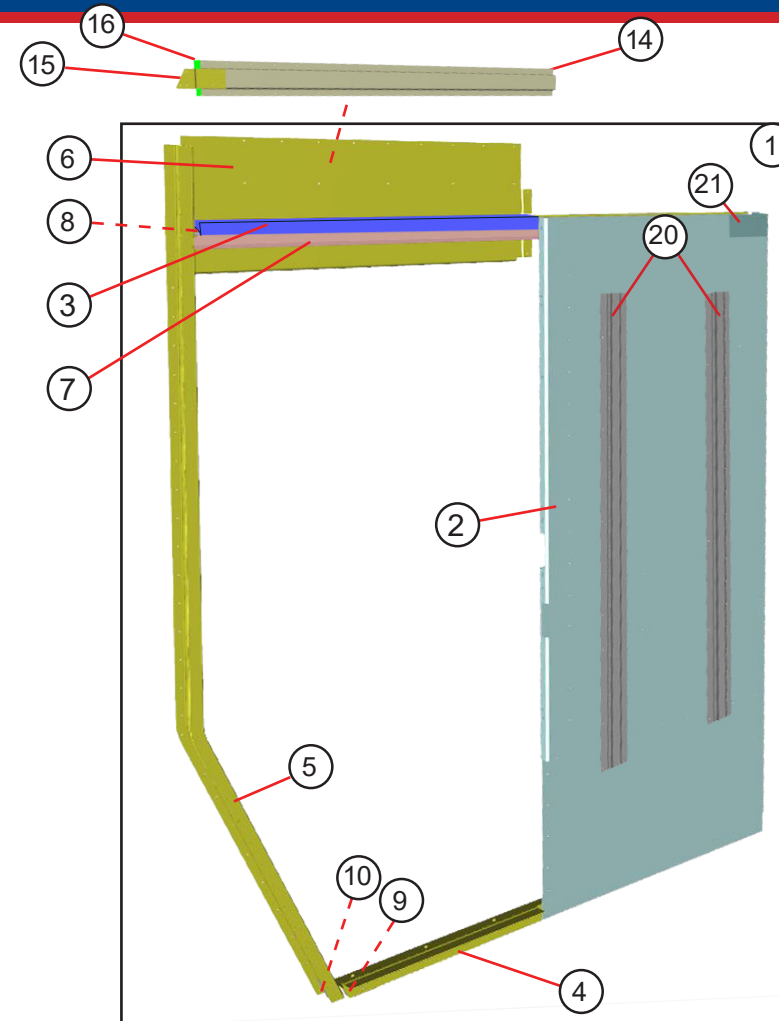
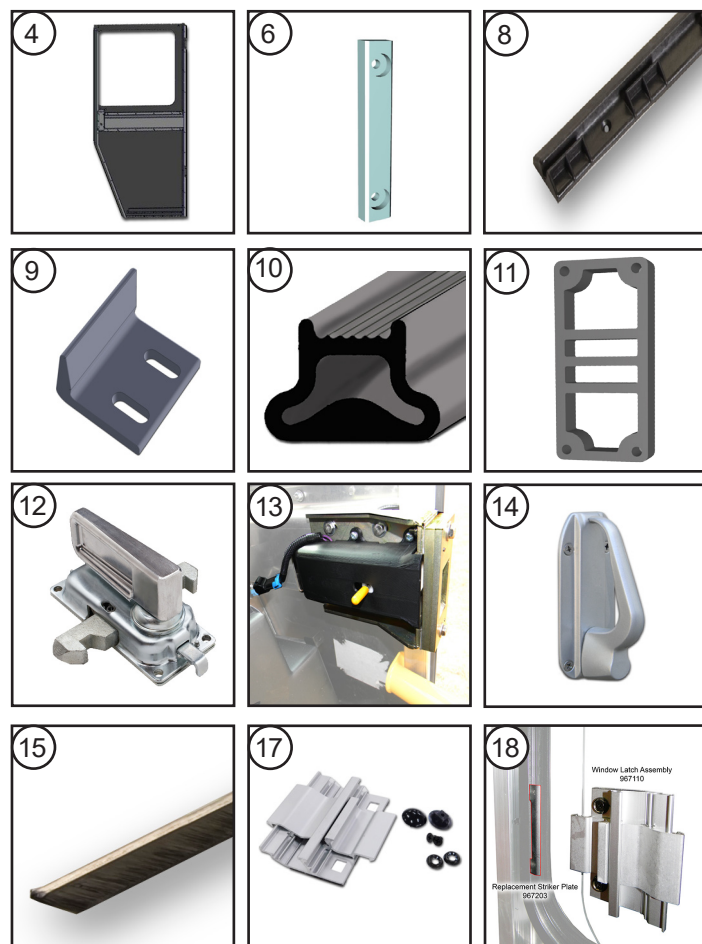
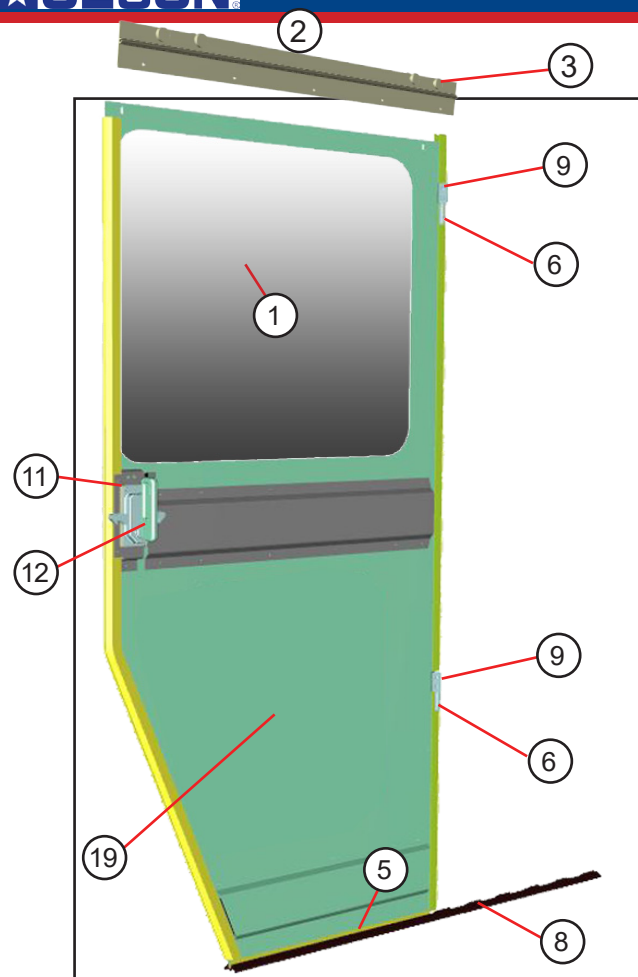


ITEM #	PART #	DESCRIPTION	QTY.	UNIT
1	165046408	SIDE PANEL UPPER AL .102X56X242.31 DLH	1	EA
2	165045402	SIDE PANEL LOWER AL .102X32X242.31 DLH	1	EA
3	<a href="#">095044300</a>	DOOR POST ASSEMBLY LH	1	EA
4	<a href="#">095041410</a>	DOOR POST RH	1	EA
5	165046409	RUB RAIL AL 450002X238.31 DLH	1	EA
6	<a href="#">1100799</a>	END CAP REAR AL.125X2.37X5.5	8	EA
7	<a href="#">1100800</a>	END CAP FORWARD AL .125X2.37X5.5	4	EA
8	<a href="#">7600165</a>	PLATE FILLER RUB RAIL AL.125X2.88X3	3	EA
9	<a href="#">47008545</a>	VENT AL 2WAY HNGLS	1	EA
10	<a href="#">47008548</a>	GASKET FOR VENT	1	EA
11	165038419	SIDE PANEL UPPER AL .102X56X201.31 RH	1	EA
12	165037423	SIDE PANEL LOWER AL .102X32X201.31 RH	1	EA
13	125038413	RUB RAIL AL 450002X197	1	EA
14	<a href="#">095038404</a>	POST "B" AL 450274X90.18 RH	1	EA
15	<a href="#">083042401</a>	STIFFENER HEADER AL RH ( 165042400 - LH )	1	EA
16	<a href="#">96742302</a>	CLIP AL Z .102X3X9.57	1	EA
17	165039402	RUB RAIL LOWER REAR AL450002X49	2	EA
18	<a href="#">13342990003</a>	WINDOW SLIDING RH	1	EA
19	165039403	RUB RAIL LOWER FRONT AL 450002X117	1	EA
20	<a href="#">13342990004</a>	WINDOW SLIDING LH	1	EA
NS	<a href="#">093019408</a>	STIFFENER ZEE BELOW WINDOW LH AL.07X7.59X16.19	1	EA
23	<a href="#">165026402</a>	SPLASH PAN AL .125X19.95X25.13 LH	1	EA
24	<a href="#">165026403</a>	SPLASH PAN AL .125X 10.42X19.2 RH	1	EA
25	<a href="#">113026402</a>	ADAPTOR SPLASH PAN AL .125X3.17X16.65 RH	1	EA
26	<a href="#">165026404</a>	SPLASH PAN AL .125X14.73X16.63 RH	1	EA
27	<a href="#">998526301</a>	SPLASH PAN FUEL FILL AL .07X19X30.44	1	EA
28	<a href="#">998512300</a>	SHIM FUEL FILL	1	EA
29	<a href="#">001744400</a>	GUSSETT FLOOR TO SIDE STRAP AL .125X2.1X16.02	3	EA
30	165039404	RUB RAIL AL 450002X90.29	1	EA
31	<a href="#">45100074</a>	CAP RAIL END	2	EA
32	<a href="#">47008533</a>	CAP PLASTIC END VENT	2	EA
33	093019417	PANEL LNR BELOW WINDOW LH AL .102X31.57X38.46	1	EA
34	175019400	PANEL LNR ABOVE WINDOW LH AL .07X23.11X45.35	1	EA
NS	175019401	PANEL LNR ABOVE WINDOW RH AL .07X15.48X44.19	1	EA
NS	175019402	BRACKET PANEL LINER LH AL .102X6X8.1	1	EA
37	<a href="#">66104047</a>	FENDER RUBBER REAR	2	EA
NS	093019413	PANEL LNR ABOVE WINDOW AL .07X15.48X44.17 RH	1	EA
NS	<a href="#">1109001</a>	INSULATION FIBERGLASS	2.5	FT
NS	165040000	EXTENTION HANGER EXHAUST PIPE	1	EA
NS	40300930	"U" BOLT 11GA 3.5" HANGER	1	EA
38	<a href="#">89367380</a>	DRIP RAIL OVER WINDOW	1	EA



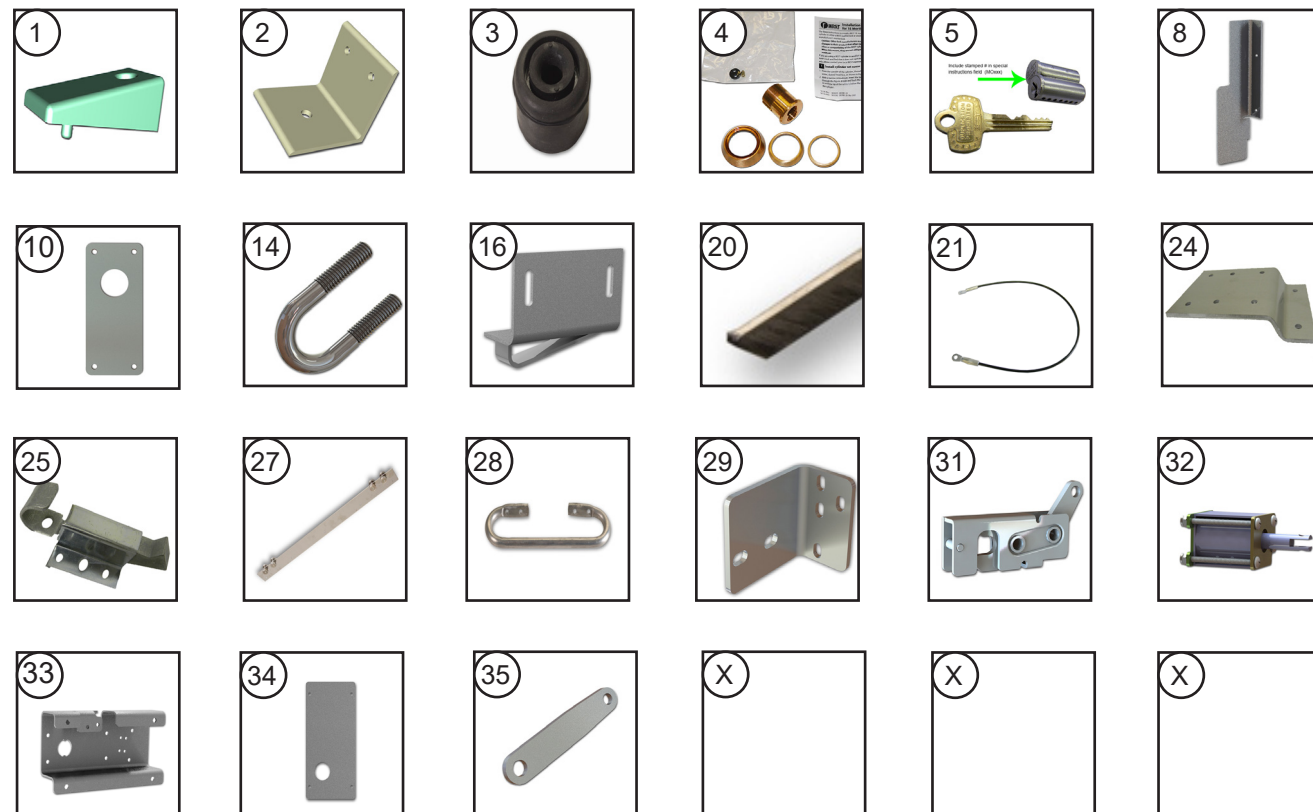
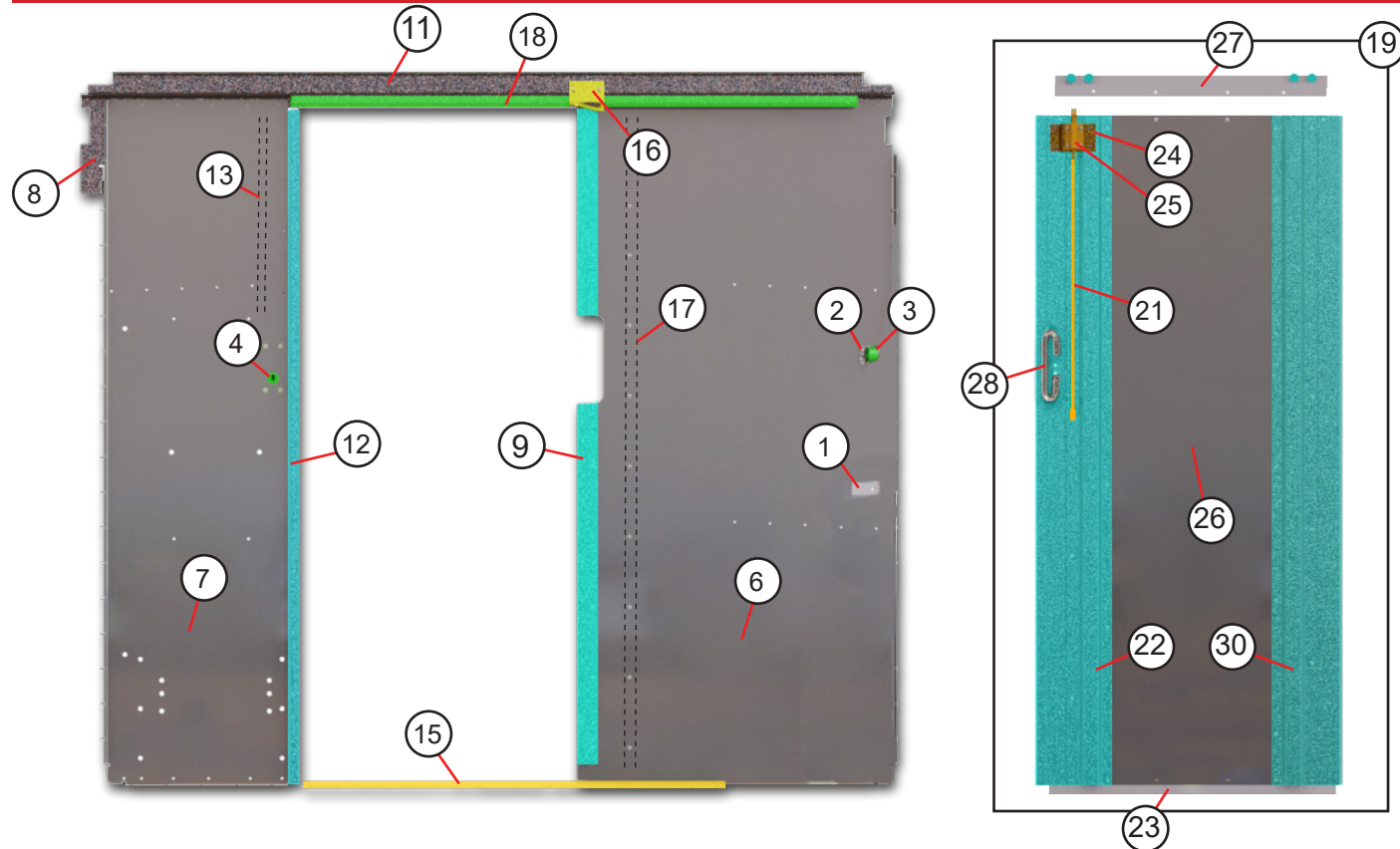
ITEM #	PART #	DESCRIPTION	QTY	UNIT
<b>ROOF ASSEMBLY 16'</b>				
1				
2	<a href="#">45601603</a>	ROOF BOW STEEL 16GA SEC456016 X89.12	12	EA
3	<a href="#">098010407</a>	ROOF RAIL 16' 456144X237.25 ROADSIDE	1	EA
4	<a href="#">098010408</a>	ROOF RAIL 16' 456144X237.25 CURBSIDE	1	EA
5	<a href="#">088010512</a>	RAIL INTERLOCK AL 450140X237.25 ROADSIDE	1	EA
6	<a href="#">088010513</a>	RAIL INTERLOCK AL 450140X237.25 CURBSIDE	1	EA
7	<a href="#">118010402</a>	ROOF BEAM @ O LINE 14GA GLNX9.54X89.12	1	EA
8	<a href="#">077100400</a>	CORNER CASTING ROADSIDE	1	EA
9	<a href="#">077100401</a>	CORNER CASTING CURBSIDE	1	EA
10	<a href="#">89310506</a>	INTERLOCK ROOF NOSE	1	EA
11	<a href="#">89310507</a>	INTERLOCK ROOF TRANSOM	1	EA
12	<a href="#">083010400</a>	ROOF NOSE AL 456107X82.5	1	EA
13	108011402	LINER ROOF GR 38.5X86.12	1	EA
14	<a href="#">47006610</a>	CLIP PLASTIC FLAT HEAD	60	EA
NS	<a href="#">45200851</a>	ROOF SKIN FBG .075X82XFT	15.98	FT
NS	<a href="#">1109001</a>	INSULATION FBG	8	FT
<b>ROOF ASSEMBLY 12'</b>				
3	098010445	ROOF RAIL 12' 456144X189.25 ROADSIDE	1	EA
4	098010446	ROOF RAIL 12' 456144X189.25 CURBSIDE	1	EA
5	<a href="#">088010504</a>	RAIL INTERLOCK AL 450140X189.25 ROADSIDE	1	EA
6	088010505	RAIL INTERLOCK AL 450140X189.25 CURBSIDE	1	EA
NS	<a href="#">45200851</a>	ROOF SKIN .075X82.25XFT	19.98	FT
20	<a href="#">090091403</a>	BRACKET DOME LAMP CAB AL .102X19.25X25.32	1	EA
21	<a href="#">100092401</a>	BRACKET DOME LAMP CARGO AL .07X7.75X24.75	2	EA

ITEM #	PART #	DESCRIPTION	QTY	UNIT
1	<a href="#">083053452</a>	CHANNEL POST CORNER AL 450359X88.69	2	EA
2	<a href="#">165053400</a>	PANEL BACK AL .102X15.14X864 LH	1	EA
3	<a href="#">165053401</a>	PANEL BACK AL .102X15.14X864 RH	1	EA
4	207053400	SILL REAR 93W AL 450024X89	1	EA
5	<a href="#">45100009</a>	CORNER CAST LH	1	EA
6	<a href="#">45100010</a>	CORNER CAST RH	1	EA
7	<a href="#">083053401</a>	TRANSOM REAR ROLL UP DOOR AL 450266X91.62	1	EA
8	<a href="#">140092400</a>	BOX LICENSE PLATE	1	EA
9	<a href="#">47009642</a>	LAMP LICENSE PLATE CLEAR	1	EA
10	<a href="#">90650309</a>	ANGLE CLIP AL 450192X.88	2	EA
11	<a href="#">165135400</a>	PLATE FILLER BACK AL .125X2.23X97.21	1	EA
12	<a href="#">175081400</a>	LAMP GUARD AL .07X12.81X29.24 LH	1	EA
13	<a href="#">175081401</a>	LAMP GUARD AL .07X12.81X29.24 RH	1	EA
14	140092402	GUARD CAMERA AL	1	EA
15	47009300	SPRING CLIP PLACECARD	1	EA
16	165119400	PLATE BACKER SPRING CLIP	1	EA
17	<a href="#">097105454</a>	WIRING GUARD AL	1	EA
NS	<a href="#">175127400</a>	WIRING COVER AT TRANSOM	1	EA



ITEM #	PART #	DESCRIPTION	QTY.	UNIT
1	<a href="#">1334299003</a>	WINDOW SLIDING RH	1	EA
2	<a href="#">96760203</a>	HANGER ASSEMBLY (INCLUDES BEARINGS & BRUSH SEAL 44008050)	1	EA
3	<a href="#">47006595</a>	BEARING ASSEMBLY	4	PR
4	<a href="#">195060201</a>	SIDE DOOR ASSEMBLY	1	EA
5	<a href="#">095060448</a>	WEAR STRIP DOOR X26.85	1	EA
6	<a href="#">45200206</a>	SPACER ANTI RATTLE NYLON	2	EA
8	<a href="#">47002766</a>	DOOR GUIDE NYLON	1	EA
9	<a href="#">45300377</a>	CLIP ANTI RATTLE	2	EA
10	<a href="#">44004104</a>	SEAL RUBBER RS FORWARD X89.25	1	EA
11	<a href="#">087181</a>	KASON SPACER (ADDITIONAL SPACER <a href="#">157060404</a> )	1	EA
12	<a href="#">45100168</a>	LATCH MECHINISM INNER	1	EA
13	<a href="#">46029042</a>	KEYLESS LOCK ASSEMBLY	2	EA
14	<a href="#">47001326</a>	HANDLE SIDE DOOR POWDER COATED	1	EA
15	<a href="#">44008050</a>	SEAL BRUSH TYPE B 1X41.95"	1	EA
16	<a href="#">45210011</a>	PANEL LOWER DOOR PLASTIC 39.4X35.45 RH	1	EA
17	<a href="#">967110</a>	REPLACEMENT WINDOW LATCH	-	EA
18	<a href="#">967203</a>	WINDOW STRIKER PLATE	-	EA

ITEM #	PART #	DESCRIPTION	QTY.	UNIT
2	165041401	PANEL DOOR POCKET AL .102X42.26X82.08 RH	1	EA
3	<a href="#">96741303</a>	CHANNEL HEADER AL 450256X75 RH	1	EA
4	<a href="#">095041416</a>	NOSE STEP AL 450247X62.57 RH	1	EA
5	<a href="#">095041410</a>	DOOR POST AL 450294X92.77 RH	1	EA
6	<a href="#">077041402</a>	PANEL HEADER AL .102X15.49X42.37 RH	1	EA
7	<a href="#">96741202</a>	TRACK ASSEMBLY UPPER	1	EA
8	<a href="#">45100049</a>	GUSSET HEADER CHANNEL TO DOOR POST	1	EA
9	<a href="#">45100105</a>	DOOR POST CASTING LOWER	1	EA
10	<a href="#">001741408</a>	REINFORCEMENT BRACKET AL.125X1.53X8.04 RH	1	EA
11	<a href="#">44004060</a>	SEAL BRUSH TYPE C 1.5X82	1	EA
12	<a href="#">44008050</a>	SEAL BRUSH TYPE B 1X83.9	1	EA
13	<a href="#">45900001</a>	PLUG WOOD @ RUBRAIL .75X1.12X2.9	1	EA
14	<a href="#">083042401</a>	STIFFENER HEADER AL 450328X73.75 RH	1	EA
15	<a href="#">96742302</a>	CLIP AL Z .102X3X9.57	2	EA
16	<a href="#">45100074</a>	CAP RAIL END	2	EA
17	<a href="#">47008533</a>	VENT CAP PLASTIC	2	EA
18	175019401	PANEL LINER HEADER AL .07X15.48X44.17 RH	1	EA
19	<a href="#">47009600</a>	CARPET GREY BLACHFORD	2	FT
20	165048408	STIFFENER AL 459919X58.75	2	EA
21	<a href="#">96741355</a>	COVER DOOR POCKET AL .055X6.75X12.16 RH	1	EA



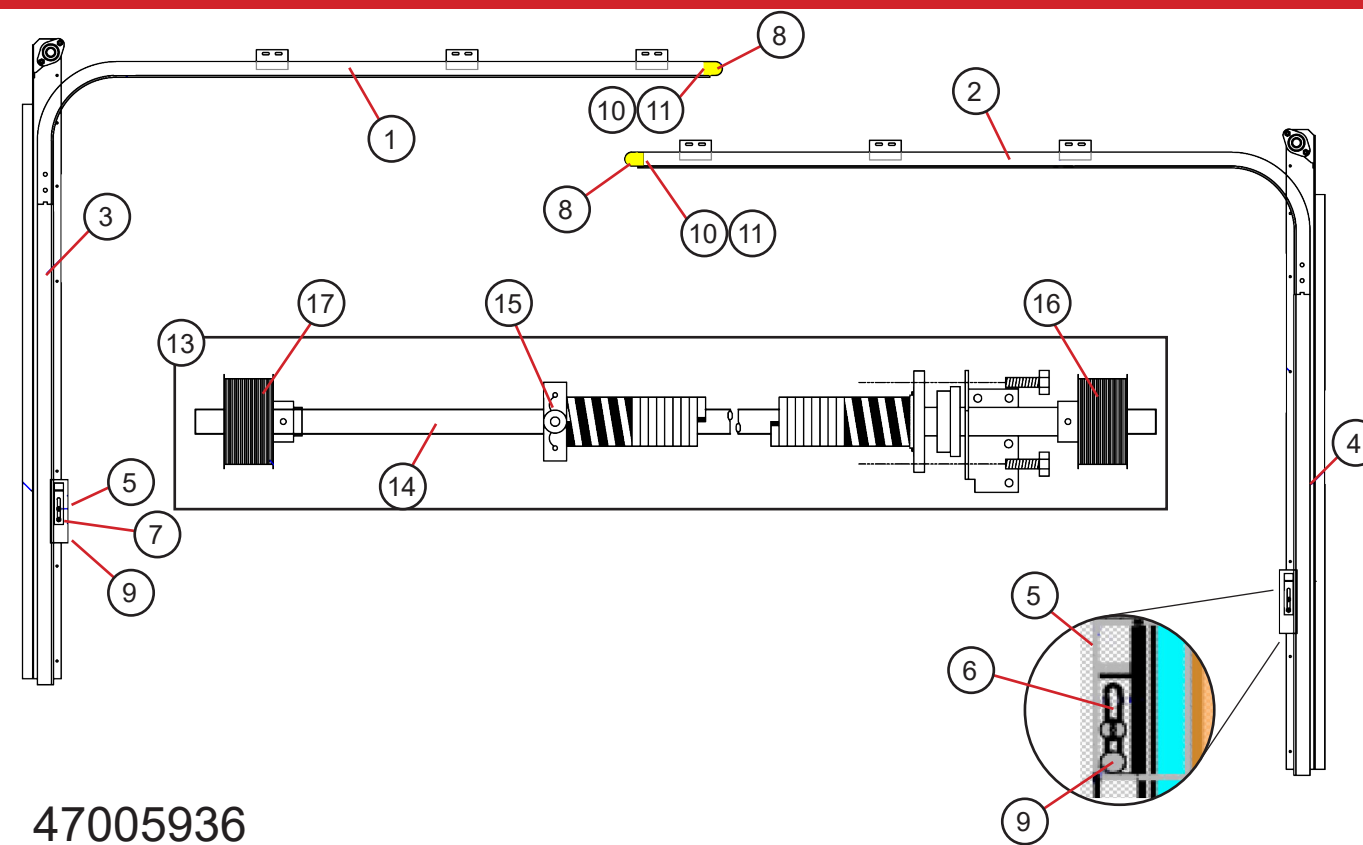
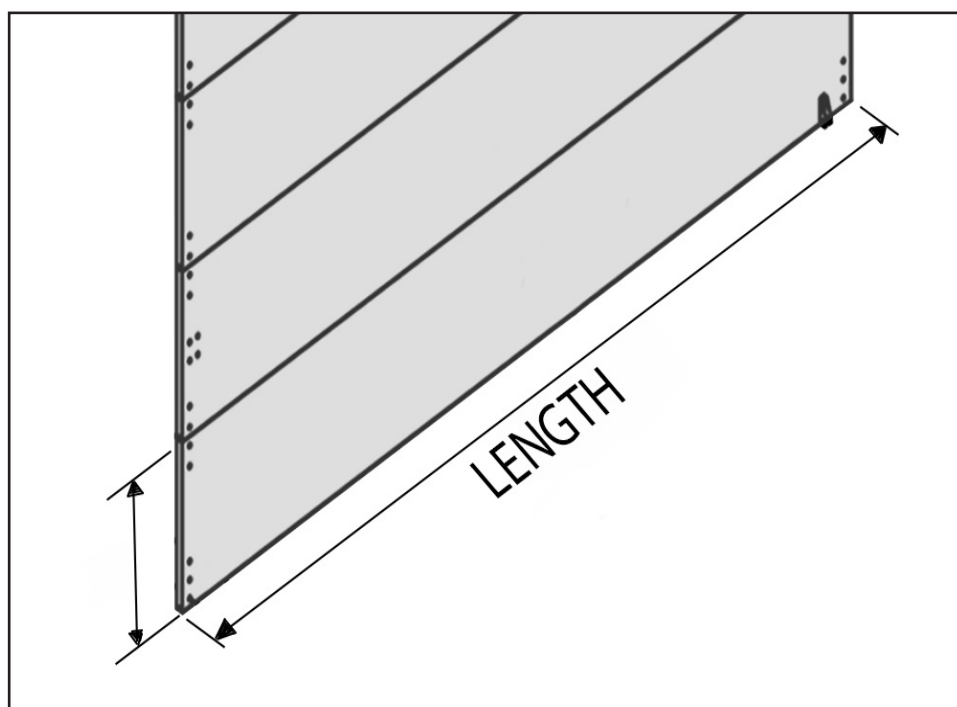
ITEM #	PART #	DESCRIPTION	QTY.	UNIT
1	<a href="#">45200208</a>	DOOR CHOCK NYLON	1	EA
2	<a href="#">82140014</a>	ANGLE MOUNTING BUMPER AL .125X2X2X2	1	EA
3	<a href="#">1107086</a>	RUBBER BUMPER - DOOR STOP	1	EA
4	<a href="#">1113456</a>	CYLINDER LOCK ASSEMBLY	1	EA
5	<a href="#">47000735</a>	LOCK CORE BEST LOCK 6 PIN	1	EA
6	175070403	PANEL BULKHEAD AL .102X37.61X79.42 LH	1	EA
7	207070409	PANEL BULKHEAD AL .102X24.16X79.42 RH	1	EA
8	175070405	PLATE UPPER FILLER AL .102X3.63X10.25	1	EA
9	175070407	CHANNEL BULKHEAD AL 450502X74.15	1	EA
10	197147406	SPACER LATCH BULKHEAD AL .25X2.5X5.75	1	EA
11	207070405	ZEE HEADER BULKHEAD AL .102X6.77X92.4	1	EA
12	207070406	JAMB BULKHEAD DOOR AL 450326X76.44	1	EA
13	207070407	WIRING GUARD AL .07X2.44X21	1	EA
14	<a href="#">40300931</a>	U-BOLT .38-16 1" ID 2.25" HT	1	EA
15	<a href="#">96770316</a>	GUIDE DOOR @ FLOOR AL 450414X47.88	1	EA
16	<a href="#">98770202</a>	STRIKER WELDMENT ASSEMBLY	1	EA
17	<a href="#">083069404</a>	STIFFENER JUMP SEAT AL 450043X72.12	1	EA
18	<a href="#">088070256</a>	TRACK ASSEMBLY 30" CTR SLID	1	EA
19	207070201	DOOR ASSEMBLY BULKHEAD N/WINDOW	1	EA
20	<a href="#">44008050</a>	SEAL BRUSH TYPE B 1X83.9	1	EA
21	<a href="#">1113600</a>	CABLE ASSEMBLY .125X29" BLACK	1	EA
22	207070404	BULKHEAD DOOR EDGE AL 450504X75.25 RH	1	EA
23	<a href="#">088070524</a>	WEAR STRIP 452002X32.25	1	EA
24	<a href="#">92537309</a>	PLATE MOUNTING LATCH AL .125X3.19X5.29	1	EA
25	<a href="#">1113046</a>	LATCH FINGER PULL	1	EA
26	175070408	PANEL DOOR BULKHEAD AL .125X27.88X75.25	1	EA
27	<a href="#">088070257</a>	HANGER ASSEMBLY W/SEAL BHD	1	EA
28	<a href="#">90187300</a>	GRAB .5DIA X15.7	1	EA
29	<a href="#">197147408</a>	PLATE STRIKER LATCH BHD AL .188X3X5.15	1	EA
30	167070401	BULKHEAD DOOR EDGE AL 450503X75.25 LH	1	EA
31	<a href="#">1113458</a>	LOCK ASSEMBLY - ROTARY LATCH	1	EA
32	<a href="#">137147400</a>	SOLOINOID OPEN FRAME PULL TYPE	1	EA
33	<a href="#">197147403</a>	BRACKET LATCH AL .125X9.29X9.5	1	EA
34	<a href="#">197147404</a>	LID LATCH ASSEMBLY	1	EA
35	<a href="#">197147405</a>	LINK ARM - KEYLESS LOCK	1	EA



ROLL-UP DOOR SERIAL NUMBER LOCATION

WHEN ORDERING PARTS FOR ROLL-UP DOORS,  
PLEASE PROVIDE THE FOLLOWING INFORMATION.  
THE SERIAL NUMBER LOCATED ON THE INTERIOR TOP PANEL ROADSIDE EDGE.  
THE LENGTH AND HEIGHT OF THE DOOR PANEL(S) TO BE ORDERED.

IN THE EVENT OF A DAMAGED, UN-READABLE OR MISSING SERIAL NUMBER,  
PLEASE TRY TO PROVIDE THE COMPOSITION DETAILS OF THE DOOR PANEL.  
(PLASTIC PANEL (WEATHERTITE), ALUMINUM CLAD, PLYWOOD, ETC.)

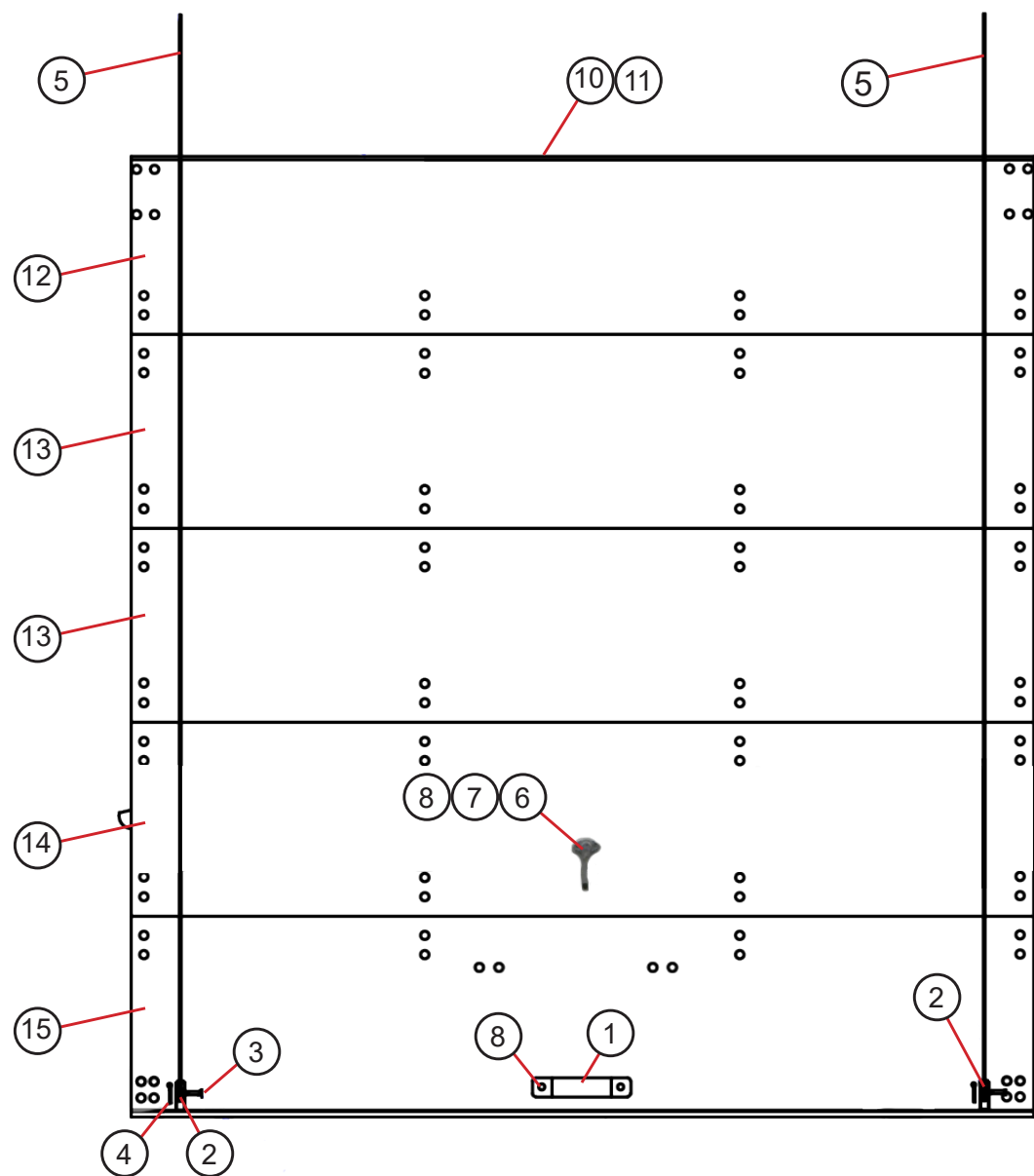


47005936

ITEM#	PART#	DESCRIPTION
1	<a href="#">47106850</a>	HORIZONTAL TRACK ASSEMBLY - CURBSIDE
2	<a href="#">47106853</a>	HORIZONTAL TRACK ASSEMBLY - ROADSIDE
3	<a href="#">47106854</a>	VERTICAL TRACK ASSEMBLY - CURBSIDE
4	<a href="#">47106855</a>	VERTICAL TRACK ASSEMBLY - ROADSIDE
5	<a href="#">47106740</a>	LOCK CATCH
6	<a href="#">47106758</a>	CATCH MOUNTING PLATE - LH
7	<a href="#">47106759</a>	CATCH MOUNTING PLATE - RH
8	<a href="#">47106787</a>	2" YELLOW HEAD PROTECTOR
9	<a href="#">47106744</a>	5/16-18 KEEP NUT
10	<a href="#">47106746</a>	1/4-20 KEEP NUT
11	<a href="#">47106788</a>	1/4-20 X 2-1/2 HEX HEAD BOLT
<b>COUNTERBALANCE ASSEMBLY</b>		
13	<a href="#">47106857</a>	COUNTERBALANCE ASSEMBLY
14	<a href="#">47106862</a>	COUNTERBALANCE SHAFT - 62"
15	<a href="#">47106858</a>	SPRING W. PLUGS .192 SQ WIRE X 2.50 X 27.50 (RH)
16	<a href="#">47106753</a>	CABLE DRUM LH (HEX HEAD SET SCREWS)
17	<a href="#">47106754</a>	CABLE DRUM RH (HEX HEAD SET SCREWS)

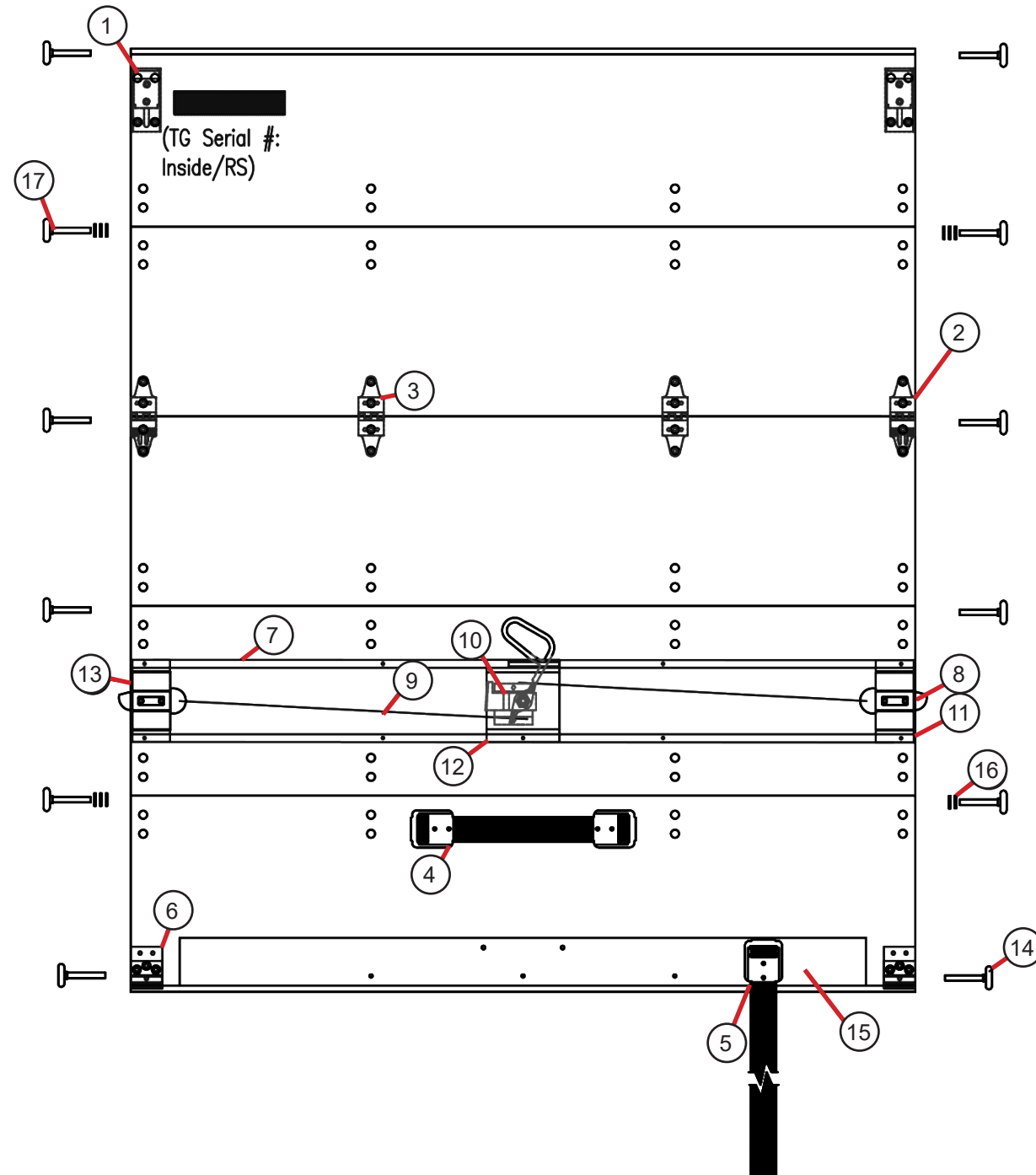


47005936

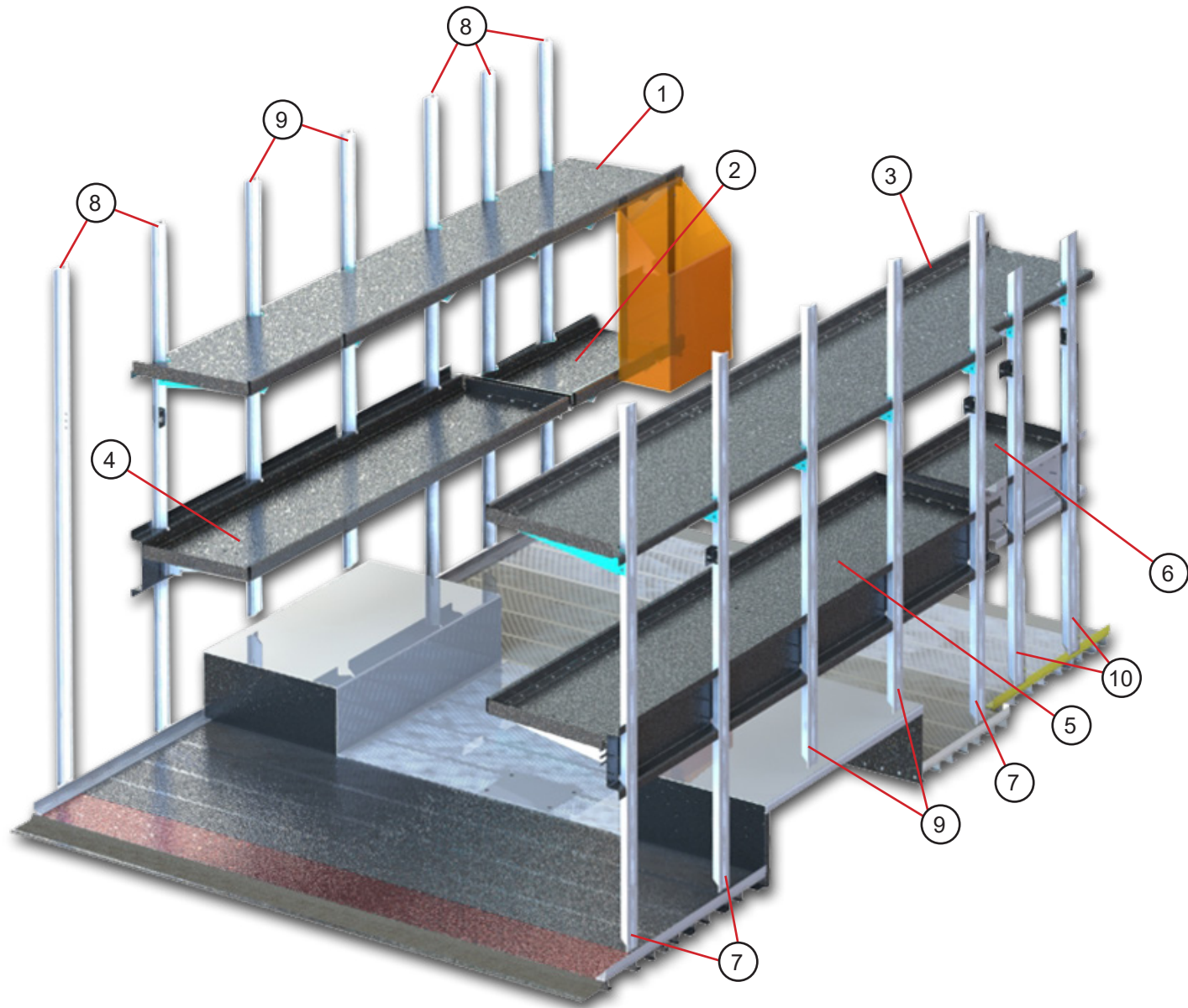


ITEM #	PART #	DESCRIPTION
1	<a href="#">47106796</a>	LIFT HANDLE - BLACK
2	<a href="#">47106762</a>	BRACKET CABLE ANCHOR
3	<a href="#">47106706</a>	PIN CABLE ANCHOR BRACKET
4	<a href="#">47106719</a>	COTTER PIN
5	<a href="#">47106727</a>	CABLE SS 95" METAL EYE
6	<a href="#">47106774</a>	L-HANDLE, NON-KEYED
7	<a href="#">47106783</a>	10-24 X 1" SS SCREW
8	<a href="#">47106784</a>	10-24 SS NYLOK NUT
9	<a href="#">47106802</a>	60 INCH PULL STRAP NO-LOOP
10	<a href="#">47106829</a>	SEAL TOP PANEL
11	<a href="#">47106830</a>	SEAL TOP PANEL - EXTENDED LIP
12	<a href="#">47106852</a>	1/4" COMPOSITE PANEL TOP
13	<a href="#">47106851</a>	1/4" COMPOSITE PANEL INTERMEDIATE X2
14	<a href="#">47106849</a>	1/4" COMPOSITE LATCH PANEL
15	<a href="#">47106848</a>	1/4" COMPOSITE PANEL BOTTOM

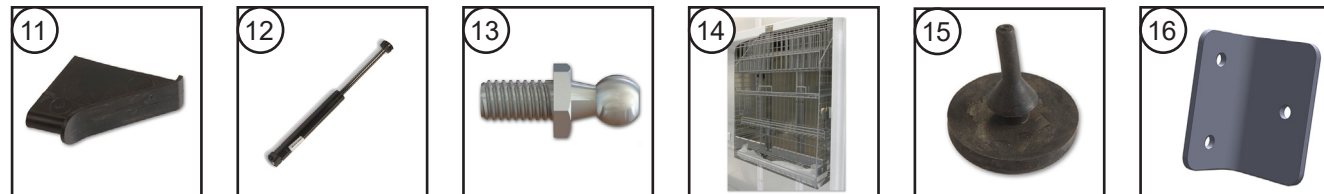
47005936

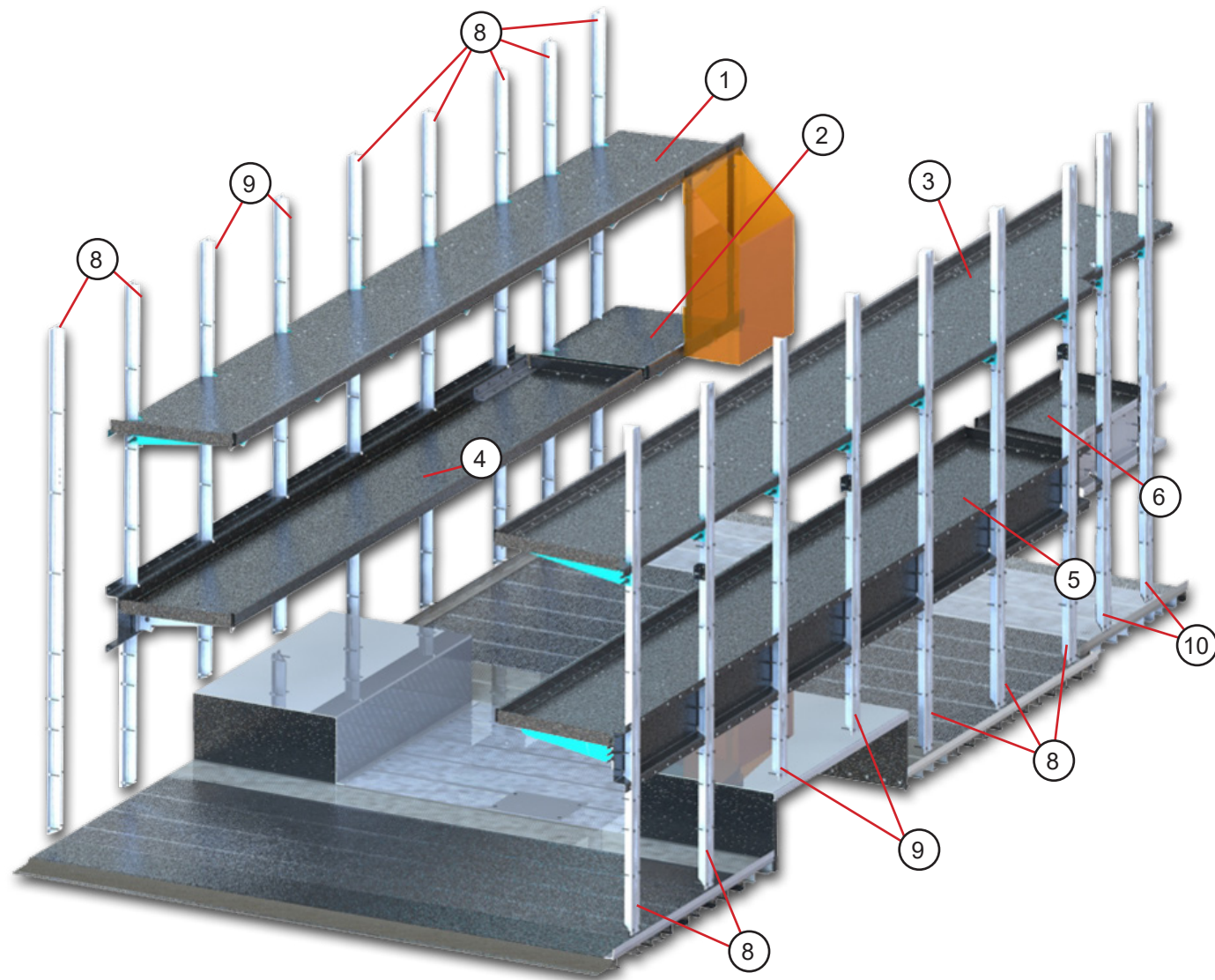


ITEM#	PART#	DESCRIPTION
1	<a href="#">47106710</a>	TOP CLOSURE ASSEMBLY
2	<a href="#">47106797</a>	END HINGE ASSEMBLY
3	<a href="#">47106731</a>	CENTER HINGE HEAVY DUTY
4	<a href="#">47106837</a>	12" PULL STRAP, NO LOOP - 2 BLK RETAINERS
5	<a href="#">47106802</a>	60" PULL STRAP, NO LOOP
6	<a href="#">47106764</a>	BOTTOM ROLLER BRACKET ASSM, 2" ROLLER
7	<a href="#">47106847</a>	CABLE COVER W/ STUDS - 62" LENGTH
8	<a href="#">47106717</a>	2 POINTT END LATCH - RS
9	<a href="#">47106860</a>	CABLE ASSEMBLY, 2 PT LOCK W/ 2 STOPS & WASHER
10	<a href="#">47106891</a>	2-PT CENTER CONTROL WITH D HANDLE
11	<a href="#">47106836</a>	LATCH BASE END - .91" OFF, PVC/WOOD/13MM COMP, 2" TRACK
12	<a href="#">47106767</a>	LATCH BASE CENTER - .91" OFF, PVC/WOOD/13MM COMP, 2" TRACK
13	<a href="#">47106716</a>	2 PT END LATCH - CS
14	<a href="#">47106765</a>	2" HD SOLID STEEL ROLLER
15	47106861	BLACK 56" LONG BOTTOM ANGLE FOR .25" COMPOSITE W/ INSIDE PS
16	<a href="#">47106718</a>	SPACER ROLLER
NS	<a href="#">47106724</a>	5/8" STAINLESS STEEL RIVET
NS	<a href="#">47106725</a>	3/4" STAINLESS STEEL RIVET
NS	<a href="#">47106726</a>	7/8" STAINLESS STEEL RIVET
NS	<a href="#">47106720</a>	11/16" ALUMINUM BUCK RIVET
NS	<a href="#">47106721</a>	13/16" ALUMINUM BUCK RIVET

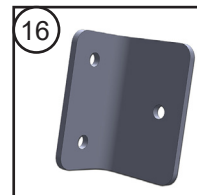
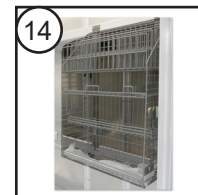
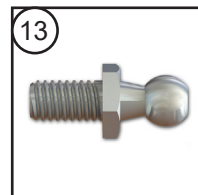


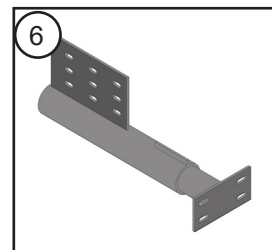
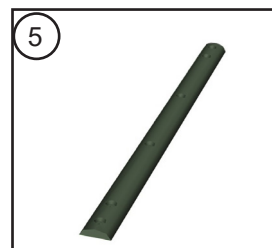
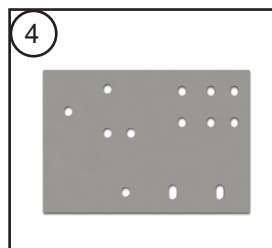
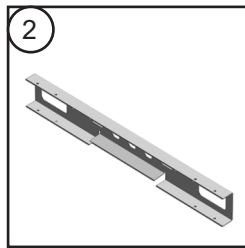
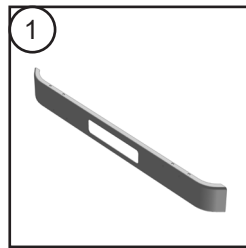
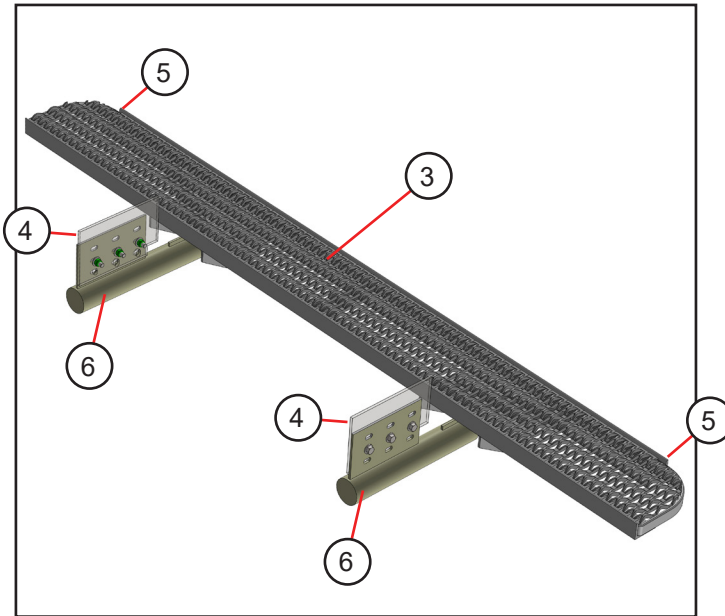
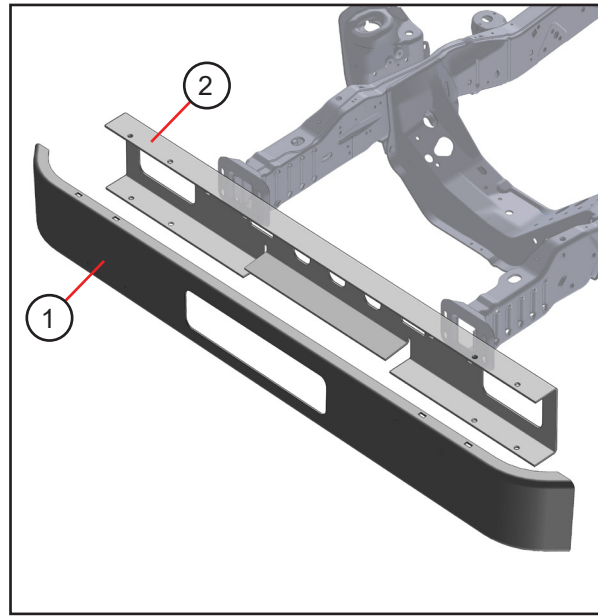
ITEM #	PART #	DESCRIPTION	QTY.	UNIT
<b>FIXED SHELF ASSEMBLIES</b>				
1	205105200	SHELF ASSEMBLY LH UPPER	1	EA
2	165105205	SHELF ASSEMBLY LH LOWER	1	EA
3	205105201	SHELF ASSEMBLY RH UPPER	1	EA
<b>FOLDING SHELF ASSEMBLIES</b>				
4	205106201	FOLDING SHELF ASSEMBLY LH LOWER	1	EA
5	205106200	FOLDING SHELF ASSEMBLY RH LOWER	1	EA
6	165106207	FOLDING SHELF ASSEMBLY RH LOWER @ DR PKT	1	EA
7	205038200	STIFFENER RH	3	EA
8	155048411	STIFFENER LH	5	EA
9	155048412	STIFFENER @ WHEEL BOX	4	EA
10	165048408	STIFFENER @ DOOR POCKET	2	EA
11	<a href="#">1106157</a>	PLUG @ SHELF ARM	26	EA
12	<a href="#">47006119</a>	GAS SPRING 50LB	1	EA
12	<a href="#">47006165</a>	GAS SPRING 70LB	2	EA
12	<a href="#">47006166</a>	GAS SPRING 90LB	3	EA
13	<a href="#">47006086</a>	BALL STUD	12	EA
14	47012413	WIRE BASKET GRAY POWDER COAT	1	EA
15	<a href="#">1107102</a>	RUBBER BUMPER	1	EA
16	<a href="#">150106410</a>	BRACKET RUBBER BUMPER	1	EA



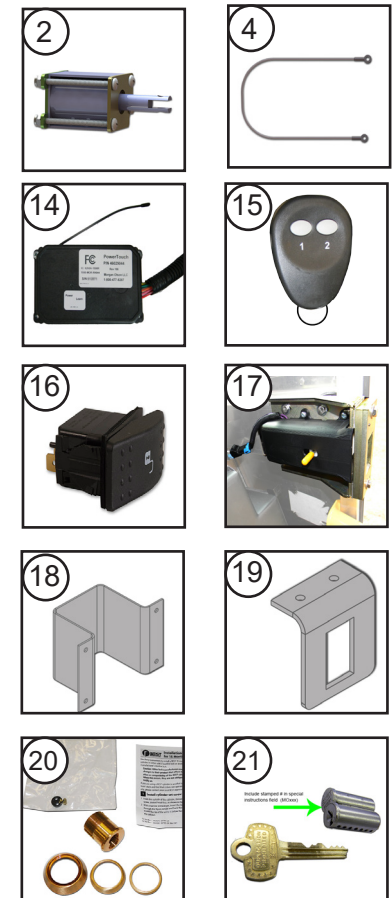
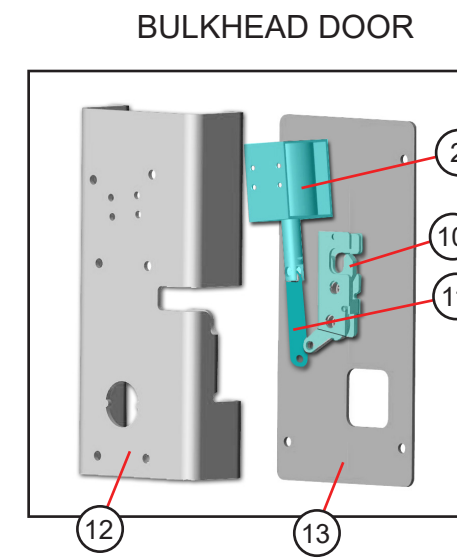
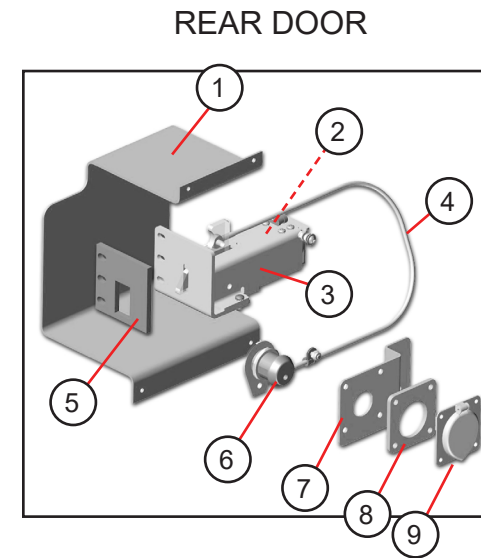


ITEM #	PART #	DESCRIPTION	QTY.	UNIT
<b>FIXED SHELF ASSEMBLIES</b>				
1	165105203	SHELF ASSEMBLY LH UPPER	1	EA
2	165105205	SHELF ASSEMBLY LH LOWER	1	EA
3	165105204	SHELF ASSEMBLY RH UPPER	1	EA
<b>FOLDING SHELF ASSEMBLIES</b>				
4	165106205	FOLDING SHELF ASSEMBLY LH LOWER	1	EA
5	165106206	FOLDING SHELF ASSEMBLY RH LOWER	1	EA
6	165106207	FOLDING SHELF ASSEMBLY RH LOWER @ DR PKT	1	EA
7				
8	155048411	STIFFENER LH	12	EA
9	155048412	STIFFENER @ WHEEL BOX	4	EA
10	165048408	STIFFENER @ DOOR POCKET	2	EA
11	<a href="#">1106157</a>	PLUG @ SHELF ARM	26	EA
12	<a href="#">47006119</a>	GAS SPRING 50LB	1	EA
12	<a href="#">47006165</a>	GAS SPRING 70LB	2	EA
12	<a href="#">47006166</a>	GAS SPRING 90LB	3	EA
13	<a href="#">47006086</a>	BALL STUD	12	EA
14	47012413	WIRE BASKET GRAY POWDER COAT	1	EA
15	<a href="#">1107102</a>	RUBBER BUMPER	1	EA
16	<a href="#">150106410</a>	BRACKET RUBBER BUMPER	1	EA

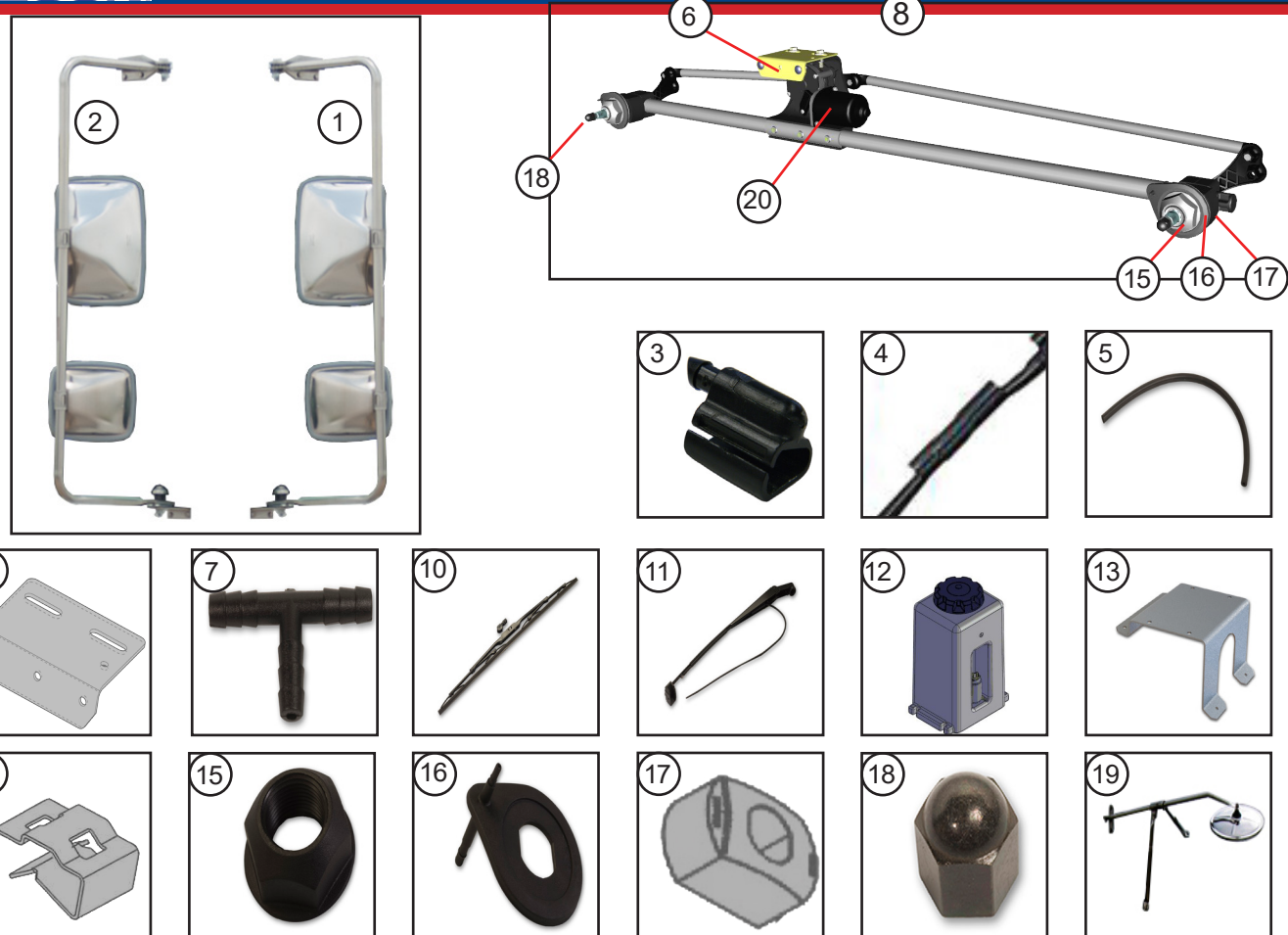




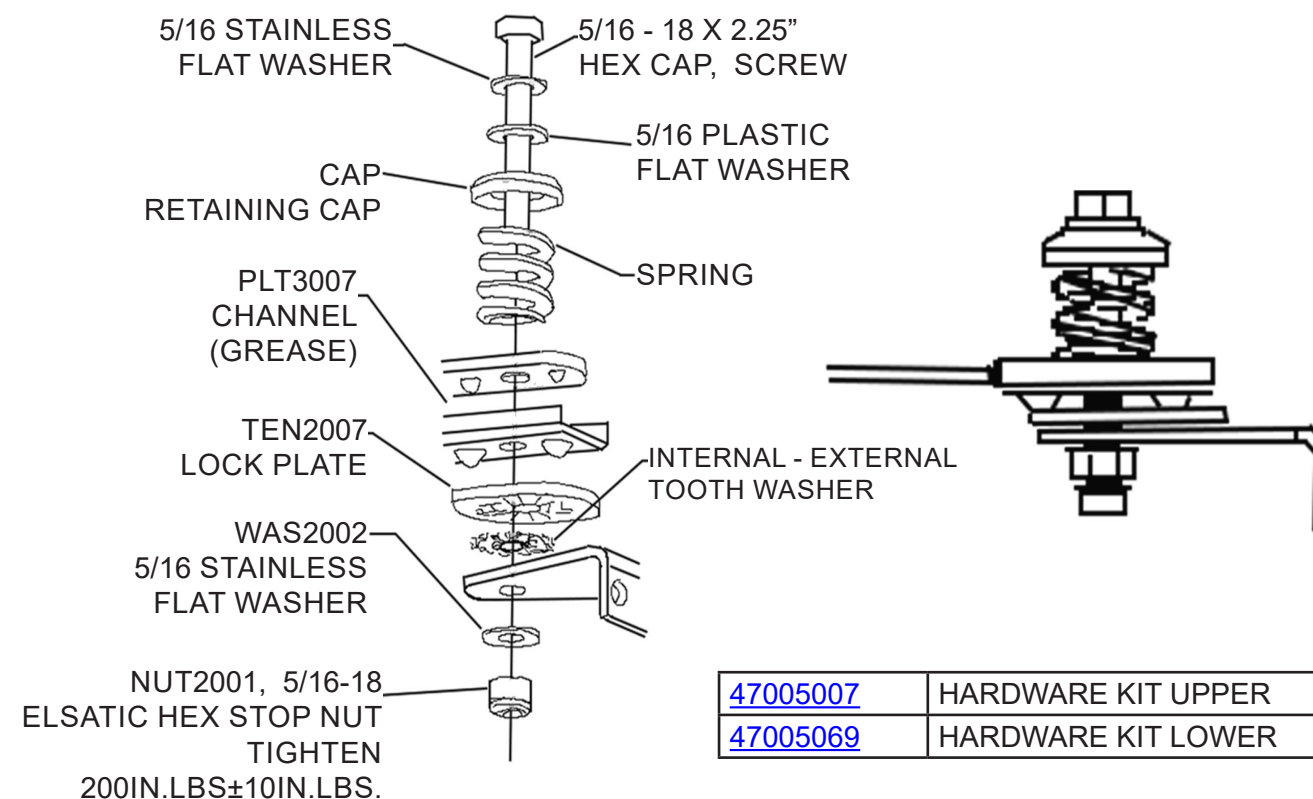
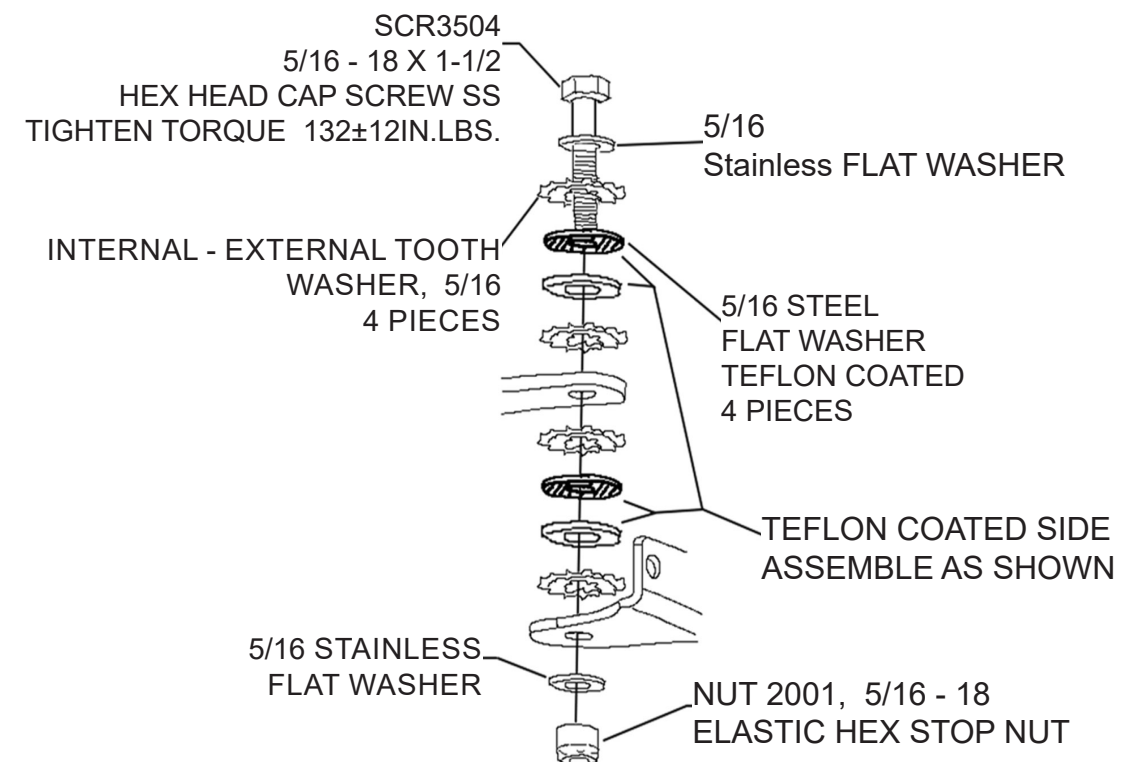
ITEM #	PART #	DESCRIPTION	QTY.	UNIT
<b>FRONT BUMPER</b>				
1	<a href="#">207008200</a>	BUMPER STEEL FRONT 93W 9IN	1	EA
2	<a href="#">165008402</a>	BRACE BUMPER FRONT STL .7X15.22X73	1	EA
<b>REAR BUMPER</b>				
3	<a href="#">47004270</a>	BUMPER REAR 10" DEEP	1	EA
4	<a href="#">205007404</a>	PLATE HANGER STEEL .312X8.25X13.13	2	EA
5	<a href="#">006370401</a>	PROTECTIVE RUBBER BUMPER X18"	2	EA
6	<a href="#">003057201</a>	SHOCK BUMPER	2	EA



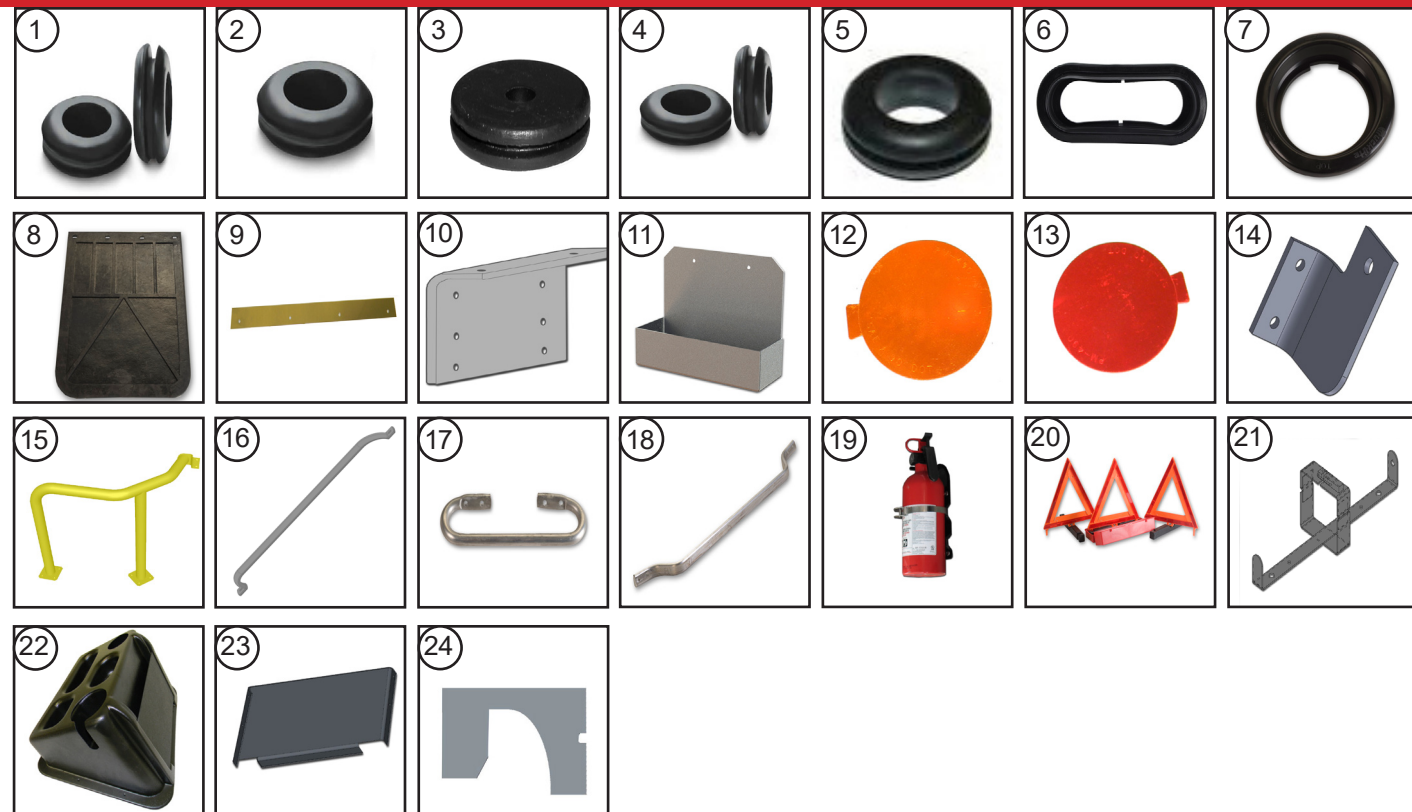
ITEM #	PART #	DESCRIPTION	QTY.	UNIT
1	207147407	GUARD REAR KEYLESS RH	1	EA
2	137147400	SOLENOID OPEN FRAME PULL TYPE	1	EA
3	207147200	RUD LOCK ASSEMBLY W/ OVERRIDE	1	EA
4	137147414	CABLE PUSH/PULL	1	EA
5	117050417	SHIM DOOR LOCK	1	EA
6	47000993	LOCK CYLINDER W/ 2 KEYS & DUST COVER	1	EA
7	207147402	BRACKET MOUNTING LOCK CYLINDER	1	EA
8	150127465	SHIM DUST COVER	1	EA
9	136060401	DUST COVER ONLY	1	EA
10	1113458	LOCK MECHANISM	1	EA
11	197147405	LINK ARM	1	EA
12	197147403	BRACKET (KEYLESS HOUSING)	1	EA
13	197147404	LID KEYLESS SYSTEM	1	EA
14	46029044	KEYLESS RF MODULE KIT (INCLUDES 3 FOBS)	1	EA
15	46029045	REPLACEMENT KEY FOB	1	EA
16	46023511	SWITCH ROCKER DOOR UNLOCK SPST	1	EA
17	46029042	LOCK ASSEMBLY SIDE DOOR RH (Solenoid = See item #2)	1	EA
18	107093401	SWITCH GUARD	1	EA
19	107093402	PLATE - SWITCH MOUNTING	1	EA
20	1113456	CYLINDER LOCK ASSEMBLY	1	EA
21	47000735	LOCK CORE BEST LOCK 7 PIN	1	EA



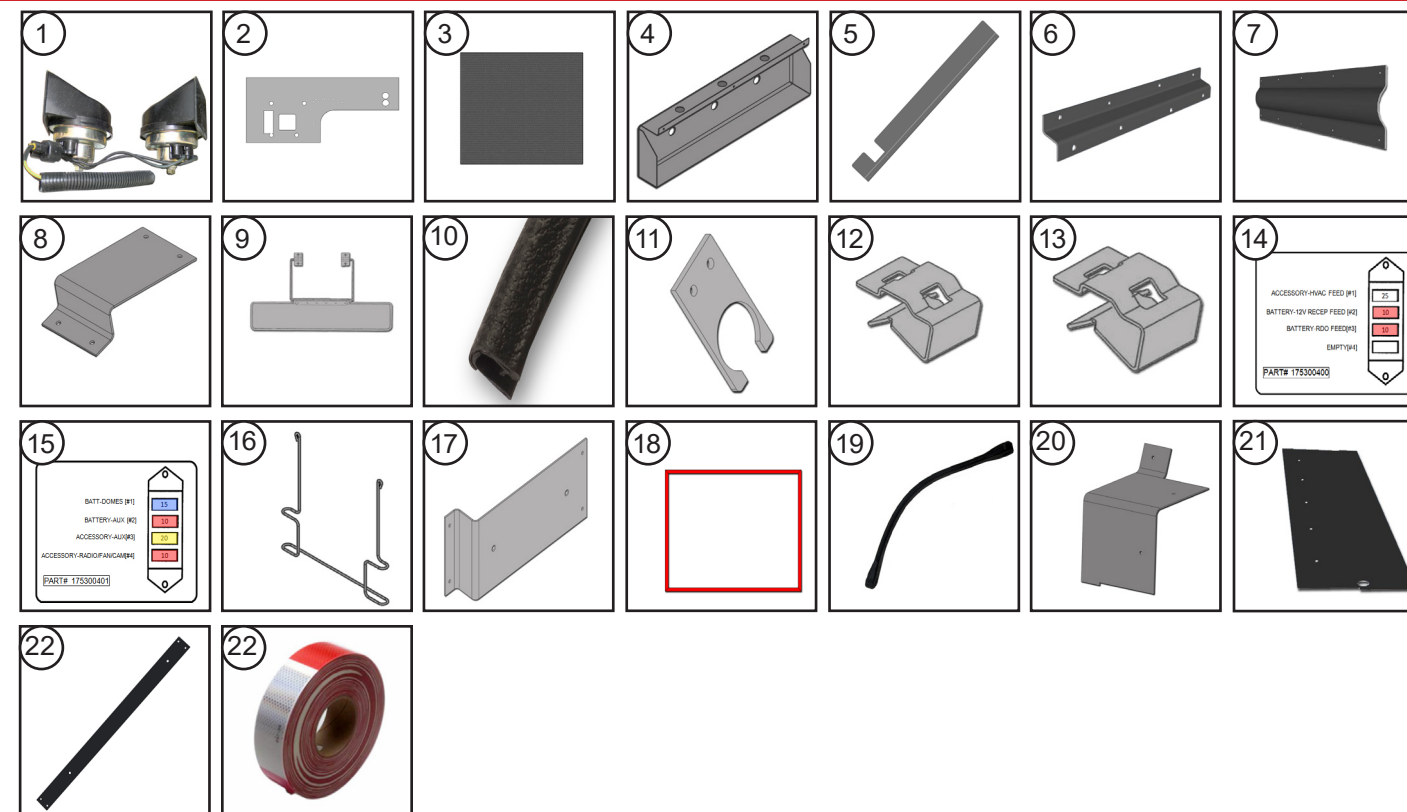
ITEM #	PART #	DESCRIPTION	QTY.	UNIT
1	<a href="#">47006169</a>	MIRROR ASSEMBLY ROADSIDE HEATED	1	EA
2	<a href="#">47006170</a>	MIRROR ASSEMBLY CURBSIDE HEATED	1	EA
3	<a href="#">47004271</a>	WET KIT FOR WIPER ARM (SPRAY NOZZLE & HOSE)	2	EA
4	<a href="#">47004272</a>	RETAINER CLIP FOR HOSE 2"	2	EA
5	<a href="#">1107122</a>	HOSE .188 ID WSW	12	FT
6	<a href="#">083055454</a>	BRACKET WIPER MOTOR	1	EA
7	<a href="#">1101694</a>	TEE WSWA U/T	1	EA
8	<a href="#">47004188</a>	WIPER SYSTEM TBLR 2 PIVOT	1	EA
10	<a href="#">47004134</a>	BLADE 24IN BLACK	1	EA
11	<a href="#">47004206</a>	ARM WSW WET 22IN RADIAL BLACK	1	EA
12	47005855	RESERVOIR W/PUMP WINDSHIELD WASHER	1	EA
13	<a href="#">155063401</a>	BRACKET MOUNTING RSVR (FILLER PLATE 138028422)	1	EA
14	<a href="#">46021115</a>	CLIP BODY LARGE PAN	1	EA
15	<a href="#">47005901</a>	NUT	2	EA
16	<a href="#">47005902</a>	PIVOT COVER	2	EA
17	<a href="#">47005903</a>	SPACER	2	EA
18	<a href="#">81600189</a>	ACORN NUT	1	EA
19	<a href="#">47005099</a>	MIRROR FRONT SIDE VIEW (MIRROR HEAD ONLY <a href="#">47006180</a> )	1	EA
20	<a href="#">47005900</a>	MOTOR FOR WIPER ASSEMBLY	2	EA



<a href="#">47005007</a>	HARDWARE KIT UPPER
<a href="#">47005069</a>	HARDWARE KIT LOWER



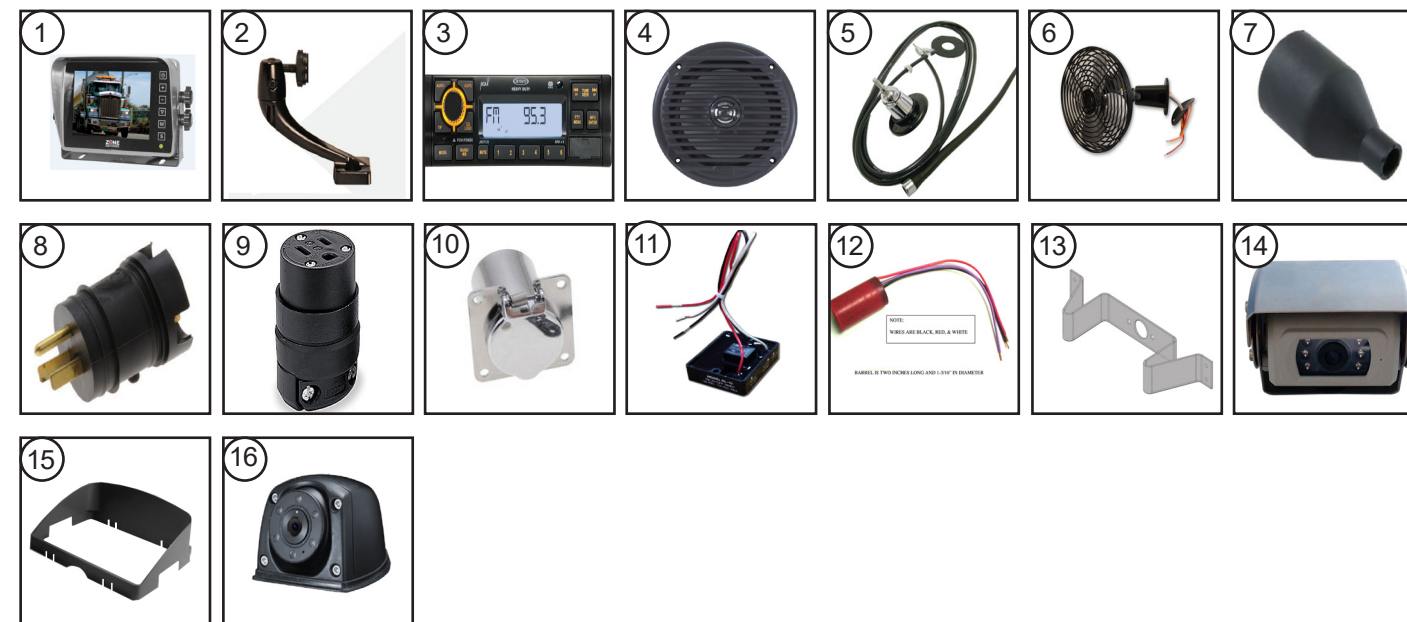
ITEM #	PART #	DESCRIPTION	QTY.	UNIT
1	<a href="#">1107324</a>	GROMMET .625X.25X0.875	1	EA
2	<a href="#">1107109</a>	GROMMET .375X.125X.625	1	EA
3	<a href="#">1107079</a>	GROMMET 1X.125X1.375	1	EA
4	<a href="#">44000052</a>	GROMMET .688X.125X1	2	EA
5	<a href="#">46004416</a>	GROMMET 1X.25X1.375	1	EA
6	<a href="#">46004403</a>	GROMMET OBLONG BLACK	2	EA
7	<a href="#">46004402</a>	GROMMET ROUND BLACK 4IN LAMP	6	EA
8	<a href="#">1107308</a>	MUD FLAP BLACK NO LOGO 20X24	1	PR
9	<a href="#">7504428</a>	RETAINER MD/FLP AL .125X1.5X20	2	EA
10	<a href="#">80795014</a>	ANGLE RETAINER AL .188X5X20	2	EA
11	207119400	HOLDER - FIRST AID KIT	1	EA
12	<a href="#">46025018</a>	REFLECTOR 2.88" AMBER	2	EA
13	<a href="#">46025017</a>	REFLECTOR 2.88" RED	4	EA
14	<a href="#">107005490</a>	ANGLE ATTACH - GRAB RAIL	1	EA
15	<a href="#">47001047</a>	GRAB RAIL POWDER COATED YELLOW	1	EA
16	<a href="#">47001084</a>	GRAB HANDLE	1	EA
17	<a href="#">90187300</a>	GRAB HANDLE	1	EA
18	<a href="#">98150310</a>	GRAB HANDLE AL 450243X26.38	1	EA
19	47009656	FIRE EXTINGUISHER 2.5 LB.	1	EA
20	<a href="#">47009547</a>	TRIANGLE KIT SAFETY	1	EA
21	<a href="#">47009548</a>	BRACKET MOUNTING TRIANGLE KIT	1	EA
22	<a href="#">47009653</a>	CENTER CONSOLE	1	EA
23	165127403	EXTENSION CENTER CONSOLE	1	EA
24	<a href="#">006526401</a>	PANEL SPLASH VINYL .125X19.25X51.6	2	EA



ITEM #	PART #	DESCRIPTION	QTY.	UNIT
1	N/A	HORN (SUPPLIED BY FORD)	1	EA
2	095116400	INSULATION DASH WALL	1	EA
3	<a href="#">47009600</a>	CARPET BULKHEAD GREY	18.5	FT
4	<a href="#">175081400</a>	GUARD LAMP REAR	2	EA
5	<a href="#">175127400</a>	GUARD WIRING @ TRANSOM	4	EA
6	<a href="#">097105454</a>	GUARD WIRING @ BULKHEAD	1	EA
7	<a href="#">03M545058</a>	STIFFENER AL 450003X33.5DLH SLIDING WINDOW	1	EA
8	<a href="#">155005420</a>	HEEL REST ALD	1	EA
9	<a href="#">47005614</a>	SUN VISOR BLACK TRAPEZE PADDED	2	EA
10	<a href="#">1129005</a>	TRIM QUICK EDGE		FT
11	<a href="#">090087401</a>	PLATE FILLER WIRING AL.102X 1.44X2.63	2	EA
12	<a href="#">46021114</a>	CLIP MEDIUM	1	EA
13	<a href="#">46021115</a>	CLIP LARGE		EA
14	175300400	LABEL FUSE BLOCK LH	1	EA
15	175300401	LABEL FUSE BLOCK RH	1	EA
16	<a href="#">47009706</a>	WIRE FRAME MUD FLAP		EA
17	165094400	BRACKET MOUNTING JUNCTION BOX REAR WIRING	4	EA
18	45200376	FRAME - AD HOLDER RED	2	EA
19	45400581	BUNGIE CORD .375 X 24" W/ CARABINER CLIPS	1	EA
20	135024409	PLATE FILLER AL .07X5.83X12.57 DLH SLIDING WINDOW	1	EA
21	083005452	PLATE FILLER AL .07X4.08X27.58 DLH SLIDING WINDOW	1	EA
22	150127459	SUPPORT WIRE RACK AL .125X2X28.5	2	EA
23	<a href="#">42005017</a>	CONSPICUITY TAPE 6"RED/6"WHITE X150' ROLL	1	RL

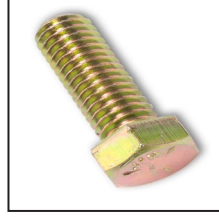


ITEM #	PART #	DESCRIPTION	QTY.	UNIT
1	<a href="#">46000213</a>	HEADLAMP ASSEMBLY	2	EA
2	<a href="#">46000613</a>	LAMP PARK / TURN (GROMMET - <a href="#">46004403</a> X2)	2	EA
3	<a href="#">46002222</a>	LAMP COMBO STOP / TURN / TAIL (SHOWN W/ GROMMET)	2	EA
4	<a href="#">46001440</a>	LAMP BACK UP (USE GROMMET <a href="#">46004402</a> )	2	EA
5	<a href="#">47009642</a>	LAMP CLEARANCE MARKER LED CLEAR	6	EA
6	<a href="#">46001380</a>	LAMP CLEARANCE MARKER LED RED	3	EA
7	<a href="#">46001340</a>	LAMP CLEARANCE MARKER LED RED	2	EA
8	<a href="#">46001339</a>	LAMP CLEARANCE MARKER LED AMBER	6	EA
8	<a href="#">46001382</a>	LAMP CLEARANCE MARKER SIDE LED AMBER	2	EA
8	<a href="#">46001362</a>	LAMP CLEARANCE MARKER LED AMBER	1	EA
9	<a href="#">46002427</a>	LAMP CLEAR STEPWELL	1	EA
10	<a href="#">46002650</a>	LAMP DOME LED CAB (MOUNTING BRACKET - <a href="#">100092400</a> )	1	EA
11	<a href="#">46002638</a>	LAMP DOME CARGO (BRACKET - 100092401)	2	EA
12	<a href="#">46025305</a>	SWITCH MAGNETIC REED NORMALLY OPEN	1	EA
13	<a href="#">46023508</a>	SWITCH ROCKER DOME CAB SPST ON-OFF	1	EA
14	<a href="#">46023603</a>	SWITCH ROCKER DOME CARGO SPDT ON-ON	1	EA
15	<a href="#">46023511</a>	SWITCH ROCKER DOOR UNLOCK SPST	1	EA
16	<a href="#">46029061</a>	SWITCH ROCKER DASH FAN SPDT ON-OFF-ON	1	EA
17	<a href="#">46023611</a>	SWITCH ROCKER BASE ONLY SPDT ON-ON	1	EA
18	<a href="#">46023618</a>	SWITCH ACTUATOR ONLY HEATED MIRRORS	1	EA
19	<a href="#">46024701</a>	LAMP / ALARM / BUZZER - SEATBELT	1	EA
20	<a href="#">45200256</a>	LABEL - SEAT BELT ALARM	1	EA
21			1	EA



ITEM #	PART #	DESCRIPTION	QTY.	UNIT
1	48200164	MONITOR DISPLAY BACK UP CAMERA	1	EA
2	48200193	MONITOR MOUNTING BRACKET	1	EA
3	46025594	RADIO AM/FM/WB/RBDS	1	EA
4	46025590	SPEAKERS 6.5" BLACK	2	EA
5	46025559	ANTENNA TOP/SIDE MOUNT	1	EA
6	46030011	FAN 2 SPEED 270 CFM	1	EA
7	46027623	BOOT E/BLK HTR WP CHR M RECEPT	1	EA
8	46027624	PLUG 5-15 E/BLK HTR WP CHR M	1	EA
9	46027625	RECEPT 5-15 FLEX CBL BLK	1	EA
10	46027377	RECEPTICLE CHROME FOR BLANKET HEATER CRD	1	EA
11	46032312	TIMER 30 MIN 10A W/O RELAY	1	EA
12	46032336	TIMER 20SEC 10A MAX (SUPPLIED BY FORD)	1	EA
13	140092402	GUARD CAMERA REAR AL .102X1.56X19.24	1	EA
14	48200191	CAMERA BACK UP REAR	1	EA
15	48200192	SUN VISOR FOR MONITOR	1	EA
16	48200166	CAMERA BLIND SPOT	1	EA
17				EA
18				
19				
20				





Size	Description	Thread	Lengths													
			.62	3/4"	1"	1-1/4"	1-1/2"	1-3/4"	2"	2-1/2"	3"	3-1/4"	4"			
1/4" Hex Cap Screw	GR5 ZC/RO	20				<a href="#">1117009</a>										
1/4" Hex Cap Screw	GR5 ZC/RoHS	20	<a href="#">85743007</a>	<a href="#">1101688</a>									<a href="#">1117818</a>			
1/4" Hex Cap Screw	18-8 Stainless	20	<a href="#">1117816</a>	<a href="#">85743006</a>	<a href="#">1117010</a>											
1/4" Hex Cap Screw	ASTM F593C	20		<a href="#">1117819</a>												
5/16" Hex Cap Screw	18-8 Stainless	18		<a href="#">1117804</a>												<a href="#">40300737</a>
5/16" Hex Cap Screw	GR8 ZC/Y	18		<a href="#">1117045</a>												
5/16" Hex Cap Screw	ASTM F593	18		<a href="#">1117803</a>			<a href="#">1117059</a>									
5/16" Hex Cap Screw	GR5 ZC/R	16		<a href="#">1117837</a>			<a href="#">1117049</a>	<a href="#">1117055</a>								
3/8" Hex Cap Screw	GR8 ZC/Y	18														
3/8" Hex Cap Screw	GR8 ZC/Y	16		<a href="#">1117843</a>												
3/8" Hex Cap Screw	GR5 ZC/RO	16							<a href="#">1117097</a>			<a href="#">051166</a>		<a href="#">1117000</a>		
3/8" Hex Cap Screw	GR5 ZC/RoHS	16	<a href="#">40300056</a>	<a href="#">40300054</a>					<a href="#">40300058</a>	<a href="#">1117040</a>		<a href="#">40300813</a>		<a href="#">1117099</a>		
3/8" Hex Cap Screw	ASTM F593C	16					<a href="#">1117805</a>									
7/16" Hex Cap Screw	GR8 ZC/Y	20					<a href="#">1217000</a>									
1/2" Hex Cap Screw	GR5 ZC/RoHS	13														
1/2" Hex Cap Screw	GR5 ZC/RO	13			<a href="#">1117121</a>								<a href="#">1117050</a>	<a href="#">1117051</a>		<a href="#">1117035</a>
1/2" Hex Cap Screw	GR5 ZC/RoHS	13							<a href="#">1117043</a>	<a href="#">1117124</a>						
1/2" Hex Cap Screw	GR5 ZC	13					<a href="#">1117036</a>									
5/8" Hex Cap Screw	GR5	11														<a href="#">40300259</a>

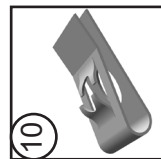
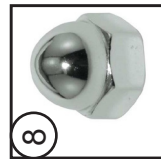
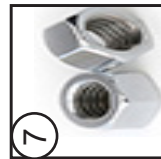
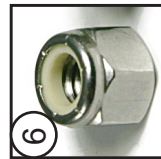
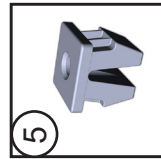
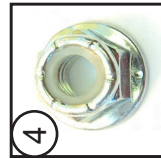
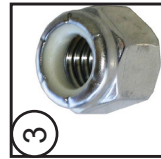
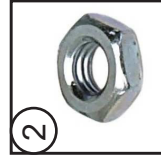
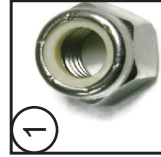
	<b>Grade 8</b> Medium Carbon Alloy Steel
	<b>Grade 5</b> Medium Carbon Steel
	<b>Grade 2</b> Low or Medium Carbon Steel

ZC	Zinc Coated
ZP	Zinc Plated
Y	Yellow
GR	Grade
RoHS	AS9100C ISO 9001:2008
ASTM F593C	American Standards Measurements Specifications

Genuine OEM Parts

1.800.233.4823

www.morganolsonparts.com



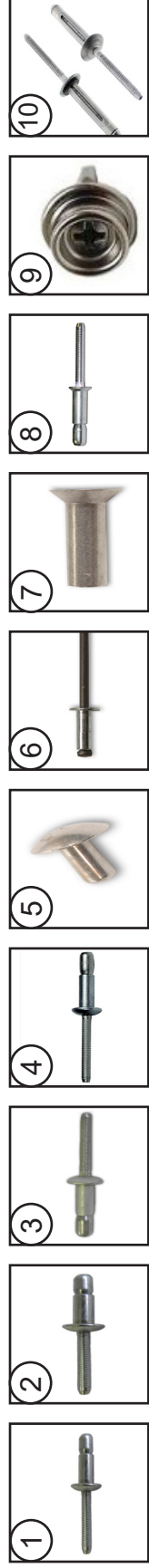
ZP - ZINC PLATED

Standard	Thread	FIG.	#8	#10	DIA.											
					1/4"	5/16	3/8"	.44	1/2"							
NYLON LOCKING NUT, HEX	32	1		<a href="#">052266</a>												
NUT "U" SPRING .115 TO .125 PANEL	10-24	10		<a href="#">40301303</a>												
NYLON LOCKING NUT, HEX ZP	24	3		<a href="#">1117307</a>												
NYLON LOCKING NUT, HEX ZP	20	3		<a href="#">1117310</a>												
NYLON LOCKING NUT, HEX ZP	18	3			<a href="#">1117838</a>											
NYLON LOCKING NUT, HEX ZP	16	3				<a href="#">1117344</a>										
LOCKING NUT HEX FLANGE .44-20 OVAL	20	4										<a href="#">1217003</a>				
NUTSERT EXPANDING NYL .275 SQ	20	5		<a href="#">40900006</a>												
NUT NON LOCKING	24	2		<a href="#">1117303</a>												
NUT NON LOCKING	20	2			<a href="#">1117312</a>											
NUT NON LOCKING	16	2										<a href="#">1117316</a>				
<b>GRADE 5</b>																
NUT STL LK LRG FLG GD5 .31-18	18	4								<a href="#">40100560</a>						
NUT STL HEX LK B ZP .5 -13 GR 5	13	1												<a href="#">1117283</a>		
<b>18-8 Stainless</b>																
NUT SS LOCKING	32	3	<a href="#">1117347</a>	<a href="#">1117699</a>												
NUT SS LOCKING	24	6		<a href="#">1103354</a>												
NUT SS LOCKING	20	6			<a href="#">1117336</a>											
NUT SS NON LOCKING	20	7		<a href="#">40100044</a>												
NUT SS ACORN LOW CROWN	20	8		<a href="#">40100061</a>												
<b>Speciality</b>																
CHANNEL NUT WITH SPRING 1/4-20	20	9								<a href="#">47009988</a>						
CHANNEL NUT WITH SPRING 3/8-16	16	9									<a href="#">47001001</a>					

Genuine OEM Parts

1.800.233.4823

www.morganolsonparts.com



		Length													
	MAGNA LOCK	Diameter	Fig.	.25	.312	.375	.438	.44	.5	.562	.625	.687	.75	.875	1"
	HUCK R6-4	.188	1	<a href="#">1117084</a>	<a href="#">1117061</a>										
	HUCK R8-6	.25	2	<a href="#">1117087</a>											
	PROTRUDING HEAD	.25	3		<a href="#">40200304</a>			<a href="#">40200634</a>			<a href="#">40200303</a>				
	FLUSH HEAD B6-4	.25	4						<a href="#">40200630</a>						
	RIV AL BRAIZER HEAD	.125	5	<a href="#">1117402</a>	<a href="#">1117404</a>	<a href="#">1117405</a>			<a href="#">1117406</a>						
	RIV AL BRAIZER HEAD	.188	5	<a href="#">1117351</a>	<a href="#">1117353</a>	<a href="#">1117355</a>			<a href="#">1117357</a>	<a href="#">1117359</a>	<a href="#">1117361</a>	<a href="#">1117363</a>	<a href="#">1117365</a>	<a href="#">1117368</a>	
	RIV AL BRAIZER HEAD	.25	5						<a href="#">1117380</a>	<a href="#">1117385</a>	<a href="#">1117382</a>		<a href="#">1117386</a>		<a href="#">1117395</a>
	RIV AL BRAIZER HEAD MOD	.25	5		<a href="#">40200213</a>			<a href="#">40200214</a>	<a href="#">1117409</a>	<a href="#">1117410</a>		<a href="#">1117408</a>		<a href="#">1117390</a>	
	RIV AL FLAT HEAD	.125	7			<a href="#">85780100</a>									
	RIV AL FLAT HEAD	.188	7		<a href="#">1117434</a>	<a href="#">1117436</a>			<a href="#">1117438</a>		<a href="#">1117440</a>	<a href="#">1117442</a>			
	RIV AL FLAT HEAD	.25	7												
	RIV AL POP	.125	10	<a href="#">1117464</a>											
	RIV AL POP #10	.406	10	<a href="#">1117456</a>											
	RIV AL POP AD 66 BS		10			<a href="#">1117457</a>									
	RIV AL POP AD 68 BS								<a href="#">1117458</a>						
	RIV AL POP AD 610 BS									<a href="#">1117459</a>					
	POP AL OPEN END BLIND	.125	6		<a href="#">1117421</a>										
	POP AL OPEN END BLIND	.188	6	<a href="#">1117456</a>						<a href="#">1117459</a>					
	POP CLSD BLACK		8						<a href="#">40200629</a>		<a href="#">40200631</a>				
	SNAP FASTNER		9						<a href="#">40900925</a>						
	BULB TYPE BLIND w/WASHER	.188	10		<a href="#">40200621</a>				<a href="#">40200501</a>						

Genuine OEM Parts

1.800.233.4823

www.morganolsonparts.com

50



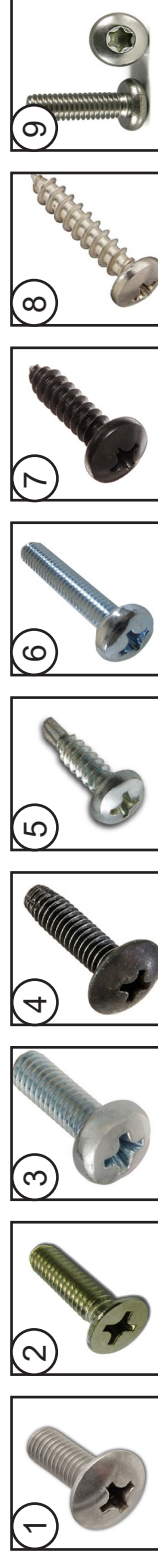
Standard	I/D	FIG.	3/8	1/2	9/16	5/8	3/4"	7/8	1"	1-1/4"	1-3/4"
#10 TYPE B FLAT WASHER ZINC/ROHS	.190	1			<a href="#">1117929</a>						
#10 X 1 FENDER WASHER ZC	.190	2							<a href="#">1117950</a>		
#10 EXTERNAL TOOTH LW ZC	.190	3	<a href="#">1117971</a>								
1/4 EXTERNAL TOOTH LW ZC	1/4	3		<a href="#">1117975</a>							
1/4 TYPE B NARROW FLAT WASHER	1/4	4			<a href="#">1117941</a>						
1/4 USS FLAT WASHER ZC/ROHS	1/4	1					<a href="#">1117953</a>			<a href="#">40300918</a>	
1/4 F436 (A325) FLAT WASHER ZC/ROHS	1/4	1				<a href="#">40000047</a>					
FLAT WASHER .060 THICK ZC/RO	1/4	1							<a href="#">1117952</a>		
1/4 USS FLAT WASHER	1/4	1		<a href="#">1117885</a>							
5/16 SPLIT LOCK WASHER ZC/ROHS	5/16	5	<a href="#">1117965</a>								
5/16 USS FLAT WASHER ZC/ROHS	5/16	1						<a href="#">1117955</a>			
3/8 USS FLAT WASHER ZC/ROHS	3/8	1						<a href="#">1117957</a>			
3/8 X 1 FLAT WASHER 1/4 THK NYLON	3/8	6							<a href="#">40000038</a>		
1/2 TYPE B REGULAR FLAT WASHER	1/2	1								<a href="#">40000050</a>	
1/2 TYPE B REGULAR FLAT WASHER ZC	1/2	1								<a href="#">1117945</a>	
1/2 TYPE B WIDE FLAT WASHER ZC/ROHS	1/2	1									<a href="#">1117959</a>
<b>Grade 8</b>											
1/4 FLAT WASHER GR 8 ZC/Y	1/4	7					<a href="#">85761003</a>				
5/16 FLAT WASHER GR 8 ZC/Y	5/16	7						<a href="#">1117937</a>			
3/8 FLAT WASHER GR 8 ZC/Y	3/8	7					<a href="#">40000046</a>		<a href="#">1117947</a>		
7/16 FLAT WASHER GR 8 ZC/Y	7/16	7								<a href="#">1217002</a>	
1/2 FLAT WASHER GR 8 ZC/Y	1/2	7							<a href="#">1117943</a>	<a href="#">1217002</a>	
<b>Stainless 18-8</b>											
#10 X 5/8 BONDED SEALER 18-8 SS	.190	8		<a href="#">85761250</a>					<a href="#">40000053</a>		
1/4 X 5/8 BONDED SEALER 18-8 SS	1/4	8				<a href="#">40000051</a>					
3/8 X 3/4 BONDED SEALER 18-8 SS	3/8	8					<a href="#">40000054</a>				
3/8 X 1" BONDED SEALER 18-8 SS	3/8	8							<a href="#">40000055</a>		
1/4 EXTERNAL TOOTH SS LW ZC	1/4	3		<a href="#">40000510</a>							
<b>Speciality</b>											
WASHER NYLON .13 X .62 ID X 1.380D	5/8	9									<a href="#">137147429</a>

Genuine OEM Parts

1.800.233.4823

www.morganolsonparts.com

51



	Diameter	Fig.	Length																	
			.5	.625	.75	.875	1"	1-1/4"	1-1/2"	2-1/4"	2-1/2"	3"								
<b>18-8 Stainless</b>																				
PHILLIPS TRUSS M/S 18-8 SS	8 - 32	1	1117716																	
PHILLIPS TRUSS M/S 18-8 SS	10 - 24	1	1117814	40300498																
PHILLIPS TRUSS M/S 18-8 SS	1/4 - 20	1	1117857	1117784											40300453	40300454				
PHILLIPS TRUSS M/S 18-8 SS	5/16 - 18	1		1117928																
PHILLIPS FLAT M/S 18-8 SS	10 - 32	2								1117830	1117900									
PHILLIPS FLAT M/S 18-8 SS	10 - 24	2		1117786						40300510										
PHILLIPS FLAT M/S 18-8 SS	1/4 - 20	2			40300809					1117782	40300634				40300630	40300631	40300638			
PHILLIPS FLAT M/S 18-8 SS	3/8 - 16	2																		
PHILLIPS ROUND M/S 18-8 SS	10 - 24	6			1117209															
6 LOBE PAN T/C M/S 18-8 SS	1/4 - 20	9								1117815										
<b>Standard Steel RoHS</b>																				
PHILLIPS ROUND M/S ZC/ROHS	8 - 32	6																		
PHILLIPS PAN TEKS/3 ZC/ROHS	10 - 16	5			1117674															
PHILLIPS TRUSS M/S ZC/ROHS	10 - 24	1																		1117793
PHILLIPS TRUSS M/S ZC/ROHS	10 - 32	1	1117723		1117688															
<b>T/C - Thread Cutting</b>																				
PHIL PAN T/S TYPE A ZC	10	8																		
PHIL TRUSS T/S TYPE A BLK	10	4								1117680	40300101									
PHIL PAN T/S TYPE A BLK	10	7								40300503										
PHIL PAN T/S TYPE A ZC	12	8								1117666										
6 LOBE PAN T/C	1/4 - 20	9			85743152	1117668														



T/C Thread Cutting 6 Lobe Type A

Genuine OEM Parts

1.800.233.4823

www.morganolsonparts.com

PAGE #	PART #	DESCRIPTION	QTY.	UNIT
54	007388322	HARNESS JUMPER Y 2WR P&P X120	1	EA
55	007388323	HARNESS JUMPER Y 2WR P&P X36	1	EA
56	082091200	HARNESS POWER OPTION FROM BATTERY	1	EA
57	090051201	HARNESS HEATED MIRROR	1	EA
58	090093202	HARNESS JUMPER CARGO DOME LAMP	2	EA
59	092094203	HARNESS POWER KEYLESS	1	EA
60	120088201	HARNESS JUMPER 72" 1W (2) .180M BLLT	1	EA
61	132092202	HARNESS SEAT BELT BUZZER	1	EA
62	137392203	HARNESS JUMPER STEP WELL LAMP	1	EA
63	155084203	HARNESS SWITCH RADIO OFF REVERSE	1	EA
64	157388200	HARNESS JUMPER CHSML	1	EA
65	162088201	HARNESS JUMPER AUXILERY ACCESSORY	1	EA
66-69	165084202	HARNESS INSTRUMENT PANEL	1	EA
70-71	167086202	HARNESS REAR WIRING	1	EA
72	167093200	HARNESS ROOF	1	EA
73	167094202	HARNESS KEYLESS ROOF to NOSE	1	EA
74	167094203	HARNESS KEYLESS ROOF	1	EA
75	167094204	HARNESS JUMPER REAR DOOR SWITCH	2	EA
76	167094205	HARNESS KEYLESS ROOF Y	1	EA
77	167094206	HARNESS KEYLESS DASH	1	EA
78-80	167391200	HARNESS ROOF / NOSE 85H	1	EA
81	192111200	HARNESS ASSEMBLY EXTENSION CORD 25' 120V	1	EA
82-85	197084211	HARNESS CHASSIS INTERFACE E-SERIES	1	EA
86	205063200	HARNESS WASHER BOTTLE PIGTAIL	1	EA
87	205085201	HARNESS LED E-SERIES 2020	1	EA
88-89	205088200	HARNESS WIPER	1	EA
90	205088201	HARNESS REAR BACKUP JUMPER	1	EA
91	46025591	HARNESS SPEAKER	1	EA
92	88117437	HARNESS JUMPER TEE	1	EA

DRAWING NO.	REV	SHT
007388322		1 of 1
DESCRIPTION	BY	DATE
RELEASE TO PRODUCTION		

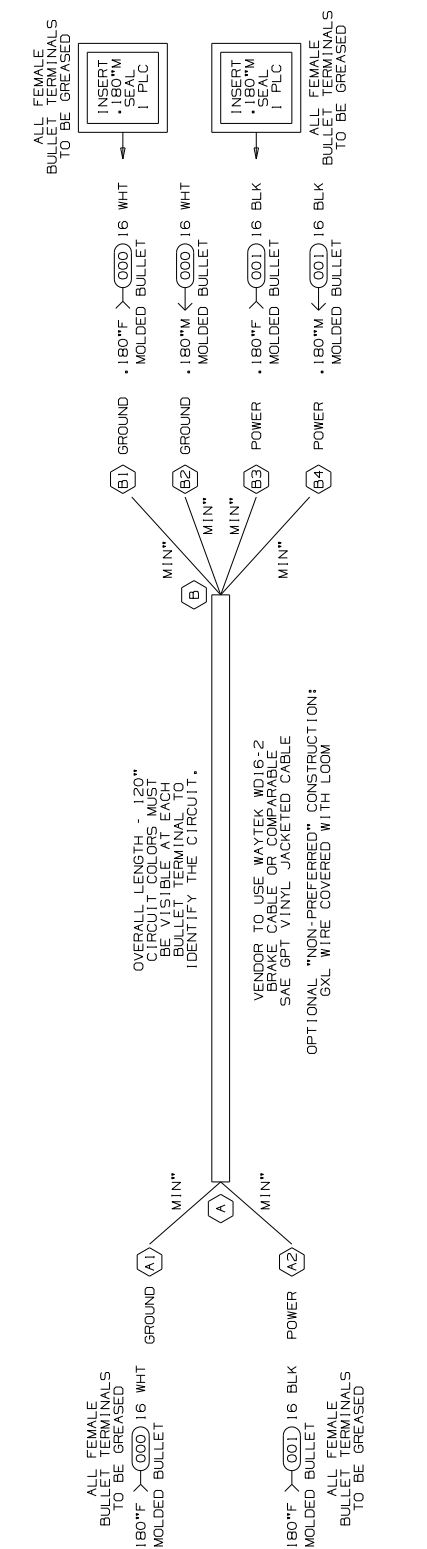
CIRCUIT	DESCRIPTION	END POINTS	FUNCTION
000	16 WHT	A1, B1, B2	GROUND
001	16 BLK	A2, B3, B4	POWER

- VENDOR MAY REPLACE PIGTAILS WITH WIRING TO APPROVED MOLDINGS OR CONNECTORS. PIGTAILS SHOWN IN TERMINAL VIEW.
- HARNESSES TO BE TESTED FOR CONTENT, OPENS, SHORTS, AND CONTINUITY.
- CONNECTORS SHOWN FROM WIRE ENTRY SIDE, UNLESS OTHERWISE NOTED.
- SPLICES TO BE AUTOMATED WITH HEAT SHRINK TUBING. HEAT SHRINK BUTT SPLICES ARE ACCEPTABLE FOR M.O. FABRICATION IF NECESSARY.
- TAPE (1111098): 6" AT BREAKOUTS AND 2" AT LOOM ENDS.
- HARNESSES TO HAVE A LABEL SHOWING MORGAN OLSON PART NUMBER, REVISION LEVEL, AND DATE OF MANUFACTURE.
- SPLIT POLY LOOM UNLESS JACKETED CABLE IS USED.
- JACKETED CABLE AS NOTED.

NOTES:

**PROPRIETARY**  
This drawing and the information and data contained hereon are the property of Morgan Olson. No part of this drawing may be reproduced, stored in a retrieval system, or transmitted in any form or by any means, electronic, mechanical, photocopying, recording, or by any information storage and retrieval system, without the prior written consent of Morgan Olson.

<b>MORGAN OLSON</b>	
GENERAL STANDARDS UNLESS OTHERWISE NOTED: .XXX ± .010	
1. TOLERANCE: .XX ± .000	2. BREAK ALL EXPOSED SHARP EDGES AND DEBURR.
3. DIMENSIONS ARE TO CENTER UNLESS OTHERWISE SPECIFIED.	4. ALL DIMENSIONS ARE TO UNLESS OTHERWISE SPECIFIED.
5. DIMENSIONS TO DIMENSION LINES UNLESS OTHERWISE SPECIFIED.	6. DIMENSIONS TO DIMENSION LINES UNLESS OTHERWISE SPECIFIED.
DATE: 09JUL07	TIME: 07:07:43
DO NOT SCALE	
HARNESSES TO HAVE A LABEL SHOWING MORGAN OLSON PART NUMBER, REVISION LEVEL, AND DATE OF MANUFACTURE.	
SHT 1 of 1	REV



HARNESSES AND LOOM TOLERANCES
UP TO 60" : -0/+2"
60" TO 100" : -0/+4"
100" TO 200" : -0/+5"
200" TO 400" : -0/+6"
400" TO 600" : -0/+7"
OVER 600" : -0/+8"
BO TO BO : -0/+2"

FIRST USE: CURBSIDE MID-BODY MARKER

DRAWING NO.	REV	SHT
007388323		1 of 1
DESCRIPTION	BY	DATE
RELEASE TO PRODUCTION		

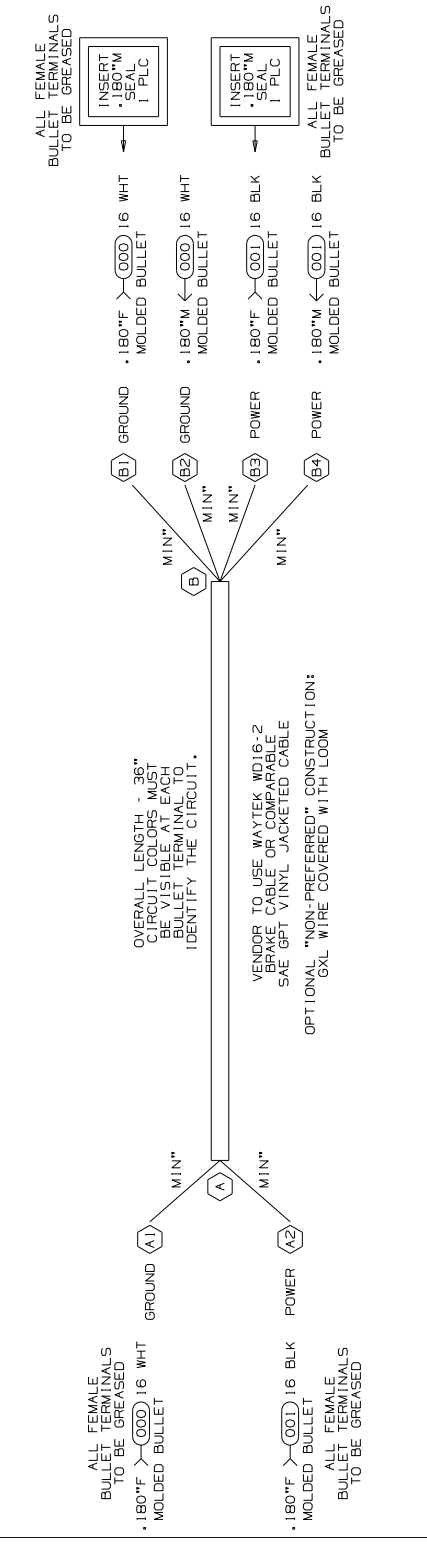
CIRCUIT	DESCRIPTION	END POINTS	FUNCTION
000	16 WHT	A1, B1, B2	GROUND
001	16 BLK	A2, B3, B4	POWER

- VENDOR MAY REPLACE PIGTAILS WITH WIRING TO APPROVED MOLDINGS OR CONNECTORS. PIGTAILS SHOWN IN TERMINAL VIEW.
- HARNESSES TO BE TESTED FOR CONTENT, OPENS, SHORTS, AND CONTINUITY.
- CONNECTORS SHOWN FROM WIRE ENTRY SIDE, UNLESS OTHERWISE NOTED.
- SPLICES TO BE AUTOMATED WITH HEAT SHRINK TUBING. HEAT SHRINK BUTT SPLICES ARE ACCEPTABLE FOR M.O. FABRICATION IF NECESSARY.
- TAPE (1111098): 6" AT BREAKOUTS AND 2" AT LOOM ENDS.
- HARNESSES TO HAVE A LABEL SHOWING MORGAN OLSON PART NUMBER, REVISION LEVEL, AND DATE OF MANUFACTURE.
- SPLIT POLY LOOM UNLESS JACKETED CABLE IS USED.
- JACKETED CABLE AS NOTED.

NOTES:

**PROPRIETARY**  
This drawing and the information and data contained hereon are the property of Morgan Olson. No part of this drawing may be reproduced, stored in a retrieval system, or transmitted in any form or by any means, electronic, mechanical, photocopying, recording, or by any information storage and retrieval system, without the prior written consent of Morgan Olson.

<b>MORGAN OLSON</b>	
GENERAL STANDARDS UNLESS OTHERWISE NOTED: .XXX ± .010	
1. TOLERANCE: .XX ± .000	2. BREAK ALL EXPOSED SHARP EDGES AND DEBURR.
3. DIMENSIONS ARE TO CENTER UNLESS OTHERWISE SPECIFIED.	4. ALL DIMENSIONS ARE TO UNLESS OTHERWISE SPECIFIED.
5. DIMENSIONS TO DIMENSION LINES UNLESS OTHERWISE SPECIFIED.	6. DIMENSIONS TO DIMENSION LINES UNLESS OTHERWISE SPECIFIED.
DATE: 25OCT07	TIME: 25OCT07
DO NOT SCALE	
HARNESSES TO HAVE A LABEL SHOWING MORGAN OLSON PART NUMBER, REVISION LEVEL, AND DATE OF MANUFACTURE.	
SHT 1 of 1	REV



HARNESSES AND LOOM TOLERANCES
UP TO 60" : -0/+2"
60" TO 100" : -0/+4"
100" TO 200" : -0/+5"
200" TO 400" : -0/+6"
400" TO 600" : -0/+7"
OVER 600" : -0/+8"
BO TO BO : -0/+2"

FIRST USE: CURBSIDE MID-BODY MARKER

DRWING NO.	REV	SHT
082091200		1 of 1
DESCRIPTION	BY	DATE
RELEASE FOR PRODUCTION		

- SEALED CONNECTORS AS NOTED TO BE GREASED WITH AN ANTI-OXIDANT CORROSION PREVENTATIVE COMPOUND OR EQUIV.
- THIS IS A PURCHASED HARNESS. NO BUILT MATERIAL EXISTS.
- VENDOR TO REPLACE WITH APPROVED MOLDINGS OR CONNECTORS. PIGTAILS SHOWN IN TERMINAL VIEW. PART NUMBER, REVISION AND DATE OF MANUFACTURE ONLY.
- HARNESS TO BE TESTED FOR CONTENT, OPENS, SHORTS, AND CONTINUITY.
- CONNECTORS SHOWN FROM WIRE ENTRY SIDE, UNLESS OTHERWISE NOTED.
- SPLICES TO BE AUTOMATED WITH HEAT SHRINK TUBING.
- TAPE (1111096): 6" AT BREAKOUTS AND 2" AT LOOM ENDS.
- HARNESS TO HAVE A LABEL SHOWING GRUMMAN OLSON PART NUMBER, REVISION AND DATE OF MANUFACTURE.
- SPLIT POLY LOOM UNLESS OTHERWISE NOTED.
- GXL WIRE.

**PROPRIETARY**

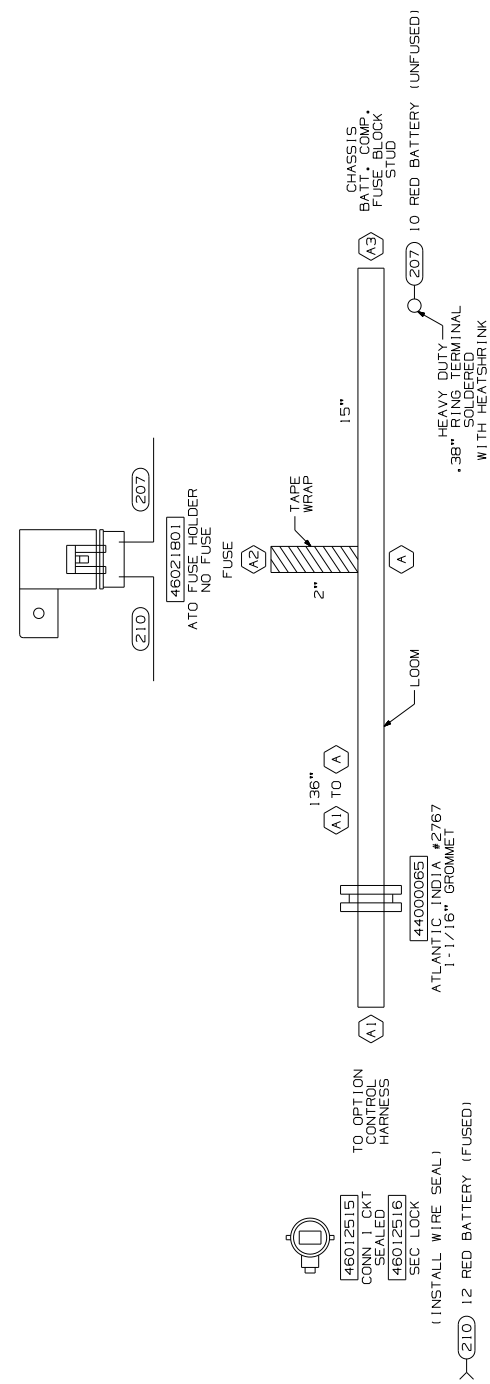
This drawing and the information and data contained hereon are the property of Morgan Olson and are to be used only for the purpose intended. No part of this drawing is to be reproduced or transmitted in any form or by any means, electronic, mechanical, photocopying, recording, or by any information storage and retrieval system, without the prior written consent of Morgan Olson.



DATE	OSJAN08	OSJAN08	OSJAN08
DFW	DFW	DFW	DFW
DATE	08-0010	08-0010	08-0010
DO NOT SCALE			
NAME	HARN-PWR, OPTION, FROM BATT		
SCALE	NONE		
DRWING NO.	082091200		
SHT	1 of 1		

BASED ON:  
074083201

HARNESS AND LOOM TOLERANCES
UP TO 60" : -0/+2"
60" TO 100" : -0/+4"
100" TO 200" : -0/+5"
200" TO 400" : -0/+6"
400" TO 600" : -0/+7"
OVER 600" : -0/+8"
BO TO BO : -0/+2"
TOLERANCE IS NOT APPLICABLE TO OVERALL HARNESS LENGTH, BREAKOUT TO END, OR LOOM.



CIRCUIT	GAUGE/COLOR	END POINTS	FUNCTION
207	10 RED	A2, A3	BATTERY (UNFUSED)
210	12 RED	A1, A2	BATTERY (FUSED)

DRWING NO.	REV	SHT
090051201		1 of 1
DESCRIPTION	BY	DATE
RELEASE FOR PRODUCTION		

- VENDOR TO GREASE FEMALE BULLET TERMINALS.
- THIS IS A PURCHASED HARNESS. NO BUILT MATERIAL EXISTS.
- VENDOR MAY REPLACE WITH APPROVED MOLDINGS OR CONNECTORS. PIGTAILS SHOWN IN TERMINAL VIEW.
- HARNESS TO BE TESTED FOR CONTENT, OPENS, SHORTS, AND CONTINUITY.
- CONNECTORS SHOWN FROM WIRE ENTRY SIDE, UNLESS OTHERWISE NOTED.
- SPLICES TO BE AUTOMATED WITH HEAT SHRINK TUBING.
- TAPE (1111096): 6" AT BREAKOUTS, 2" AT 18" INTERVALS FOR UNINTERRUPTED LOOM LENGTHS GREATER THAN 24", AND 2" AT LOOM ENDS.
- HARNESS TO HAVE A LABEL SHOWING GRUMMAN OLSON PART NUMBER, REVISION AND DATE OF MANUFACTURE.
- SPLIT POLY LOOM UNLESS OTHERWISE NOTED.
- GXL WIRE.

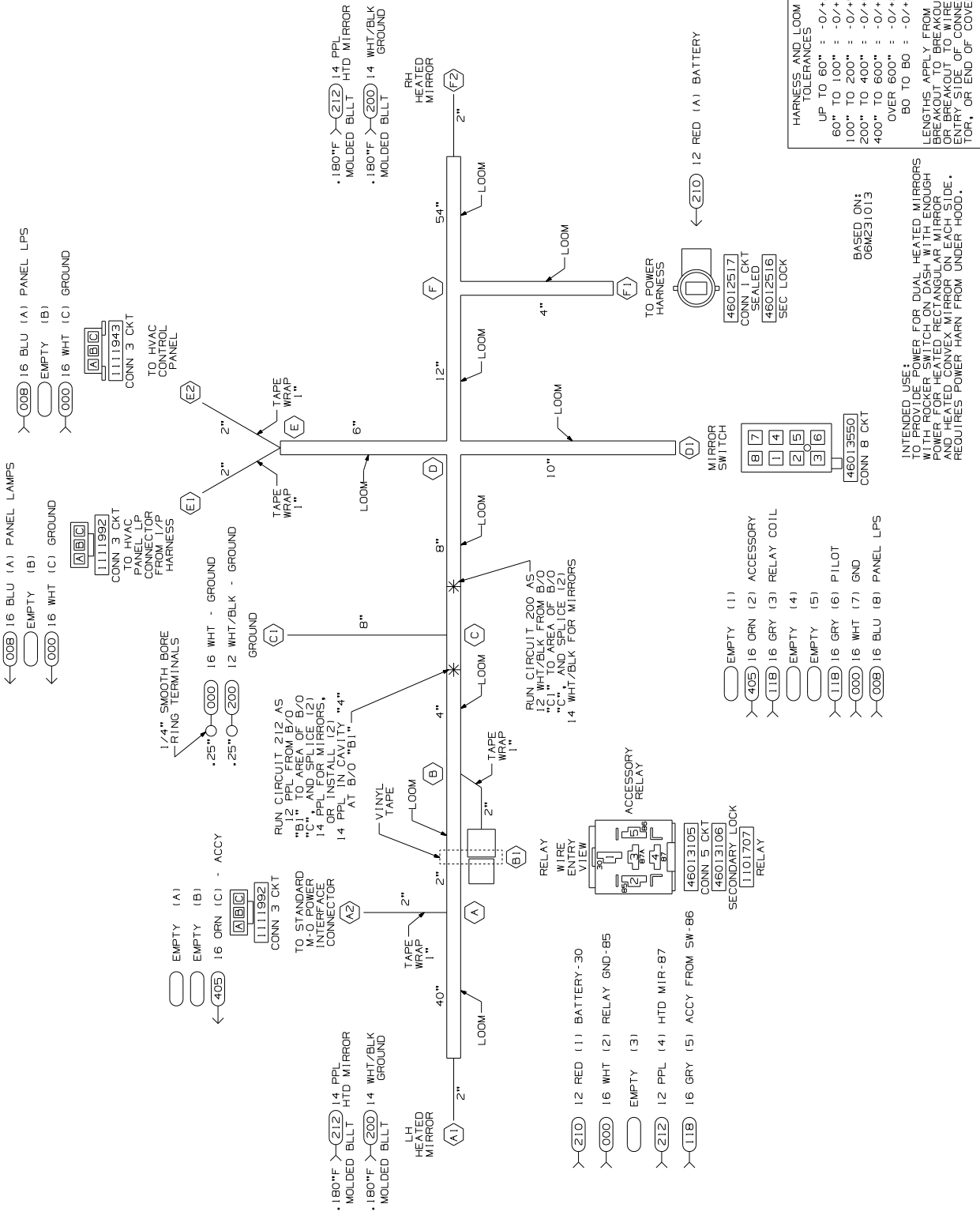
**PROPRIETARY**

This drawing and the information and data contained hereon are the property of Morgan Olson and are to be used only for the purpose intended. No part of this drawing is to be reproduced or transmitted in any form or by any means, electronic, mechanical, photocopying, recording, or by any information storage and retrieval system, without the prior written consent of Morgan Olson.



DATE	30JAN10	30JAN10	30JAN10
DFW	DFW	DFW	DFW
DATE	08-0010	08-0010	08-0010
DO NOT SCALE			
NAME	HARN-HEATED MIRRORS (UP TO 16 AMP LOAD) WITH ROCKER SWITCH		
SCALE	NONE		
DRWING NO.	090051201		
SHT	1 of 1		

HARNESS AND LOOM TOLERANCES
UP TO 60" : -0/+2"
60" TO 100" : -0/+4"
100" TO 200" : -0/+5"
200" TO 400" : -0/+6"
400" TO 600" : -0/+7"
OVER 600" : -0/+8"
BO TO BO : -0/+2"
TOLERANCE IS NOT APPLICABLE TO OVERALL HARNESS LENGTH, BREAKOUT TO END, OR LOOM.



CIRCUIT	DESCRIPTION	END POINTS	FUNCTION
000	16 WHT	B1, C1, D1, E1, E2	GROUND
008	16 BLU	D1, E1, E2	PANEL LAMPS
118	16 GRN	B1, D1, D1	SWITCHED ACCY
200	12/14 WHT/BLK	A1, C1, F2	GROUND - MIRRORS
210	12 RED	B1, F1	FUSED FEED FROM BATTERY
212	12/14 PPL	A1, B1, F2	RELAY OUTPUT TO MIRRORS
405	16 ORN	A2, D1	ACCESSORY CIRCUIT

INTENDED USE:  
TO PROVIDE POWER FOR DUAL HEATED MIRRORS WITH ROCKER SWITCH ON DASH WITH ENOUGH LENGTHS TO REACH EACH MIRROR. HEATED MIRROR AND HEATED POWER HARN FROM UNDER HOOD.

BASED ON:  
06M231013

DRAWING NO.	REV	SHT
090093202	A	1 of 1
REV.	DESCRIPTION	BY
	RELEASE FOR PRODUCTION	CHK.
A	80" WAS 64"	DATE
		DATE
		DATE

- THIS IS A PURCHASED HARNESS. NO BILL OF MATERIAL EXISTS.
- VENDOR MAY REPLACE PIGTAILS WITH WIRING TO APPROVED MOLDINGS OR CONNECTORS. PIGTAILS SHOWN IN TERMINAL VIEW.
- HARNESS TO BE TESTED FOR CONTENT, OPENS, SHORTS, AND CONTINUITY.
- CONNECTORS SHOWN FROM WIRE ENTRY SIDE, UNLESS OTHERWISE NOTED.
- SPLICES TO BE AUTOMATED WITH SOLDER, AND ADHESIVE LINED HEAT SHRINK TUBING.
- TAPE [1111096]: 6" AT BREAKOUTS; 2" AT INTERRUPTED LOOM LENGTHS GREATER THAN 24", AND 2" AT LOOM ENDS.
- HARNESS TO HAVE A LABEL SHOWING MORGAN OLSON PART NUMBER, REVISION LEVEL, AND DATE OF MANUFACTURE.
- SPLIT POLY LOOM UNLESS OTHERWISE NOTED.
- GXL WIRE.

NOTES:

PROPRIETARY

This drawing and the information on it are the property of Morgan Olson. No part of this drawing or the information on it may be reproduced, stored in a retrieval system, or transmitted in any form or by any means, electronic, mechanical, photocopying, recording, or by any information storage and retrieval system, without the prior written consent of Morgan Olson.

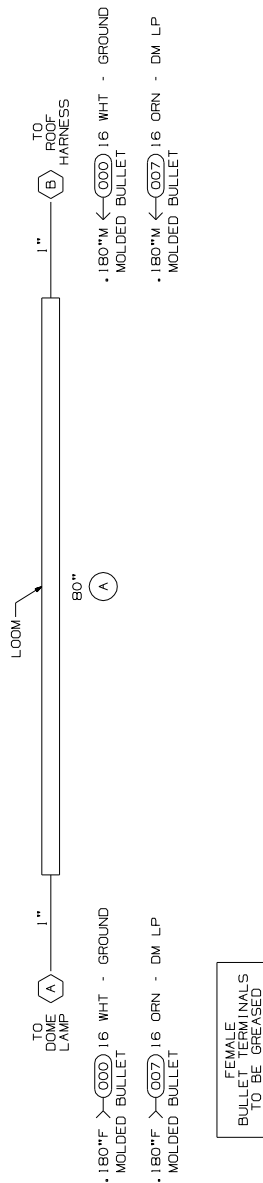


DATE	DESCRIPTION	BY	CHK.
26OCT09			
DATE	DESCRIPTION	BY	CHK.
28B16			

DATE	DESCRIPTION	BY	CHK.
26OCT09			
DATE	DESCRIPTION	BY	CHK.
28B16			

HARNES AND LOOM TOLERANCES
UP TO 60" : -0/+2"
60" TO 100" : -0/+4"
100" TO 200" : -0/+5"
200" TO 400" : -0/+6"
400" TO 600" : -0/+7"
OVER 600" : -0/+8"
BO TO BO : -0/+2"

FIRST USE:  
CV100632  
BASED ON:  
007388326



FEMALE BULLET TERMINALS TO BE GREASED

DRAWING NO.	REV	SHT
092094203	A	1 of 1
REV.	DESCRIPTION	BY
	RELEASE FOR PRODUCTION	CHK.
A	110" WAS 106"	DATE

- THIS IS A PURCHASED HARNESS. NO BILL OF MATERIAL EXISTS.
- VENDOR TO REPLACE PIGTAILS WITH WIRING TO APPROVED MOLDINGS OR CONNECTORS. PIGTAILS SHOWN IN TERMINAL VIEW.
- HARNESS TO BE TESTED FOR CONTENT, OPENS, SHORTS, AND CONTINUITY.
- CONNECTORS SHOWN FROM WIRE ENTRY SIDE, UNLESS OTHERWISE NOTED.
- SPLICES TO BE AUTOMATED WITH SOLDER AND ADHESIVE LINED HEAT SHRINK TUBING.
- TAPE [1111096]: 6" AT BREAKOUTS; 2" AT INTERRUPTED LOOM LENGTHS GREATER THAN 24", AND 2" AT LOOM ENDS.
- HARNESS TO HAVE A LABEL SHOWING MORGAN OLSON PART NUMBER, REVISION LEVEL, AND DATE OF MANUFACTURE.
- SPLIT NYLON LOOM, BLACK UNLESS OTHERWISE NOTED.
- GXL WIRE.

NOTES:

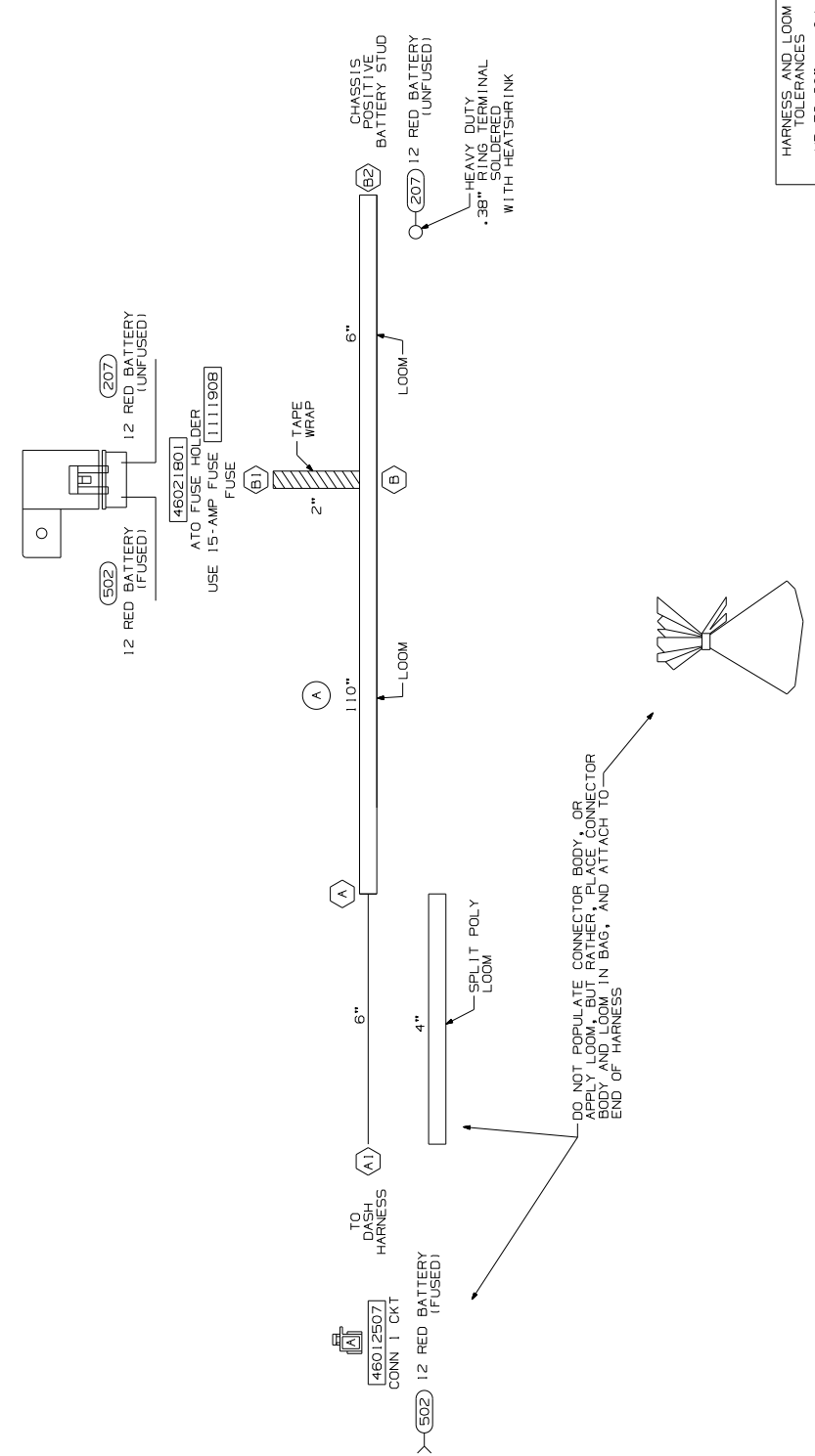
PROPRIETARY

This drawing and the information on it are the property of Morgan Olson. No part of this drawing or the information on it may be reproduced, stored in a retrieval system, or transmitted in any form or by any means, electronic, mechanical, photocopying, recording, or by any information storage and retrieval system, without the prior written consent of Morgan Olson.



DATE	DESCRIPTION	BY	CHK.
04OCT09			
DATE	DESCRIPTION	BY	CHK.
28501			

DATE	DESCRIPTION	BY	CHK.
04OCT09			
DATE	DESCRIPTION	BY	CHK.
28501			



DO NOT REPLICATE CONNECTOR BODY OR APPLY LOOM BUTYLER PLUG TO CONNECTOR BODY AND LOOM IN BAG, AND ATTACH TO END OF HARNESS

HARNES AND LOOM TOLERANCES
UP TO 60" : -0/+2"
60" TO 100" : -0/+4"
100" TO 200" : -0/+5"
200" TO 400" : -0/+6"
400" TO 600" : -0/+7"
OVER 600" : -0/+8"
BO TO BO : -0/+2"

FIRST USE:  
CV100626  
BASED ON:  
098094201





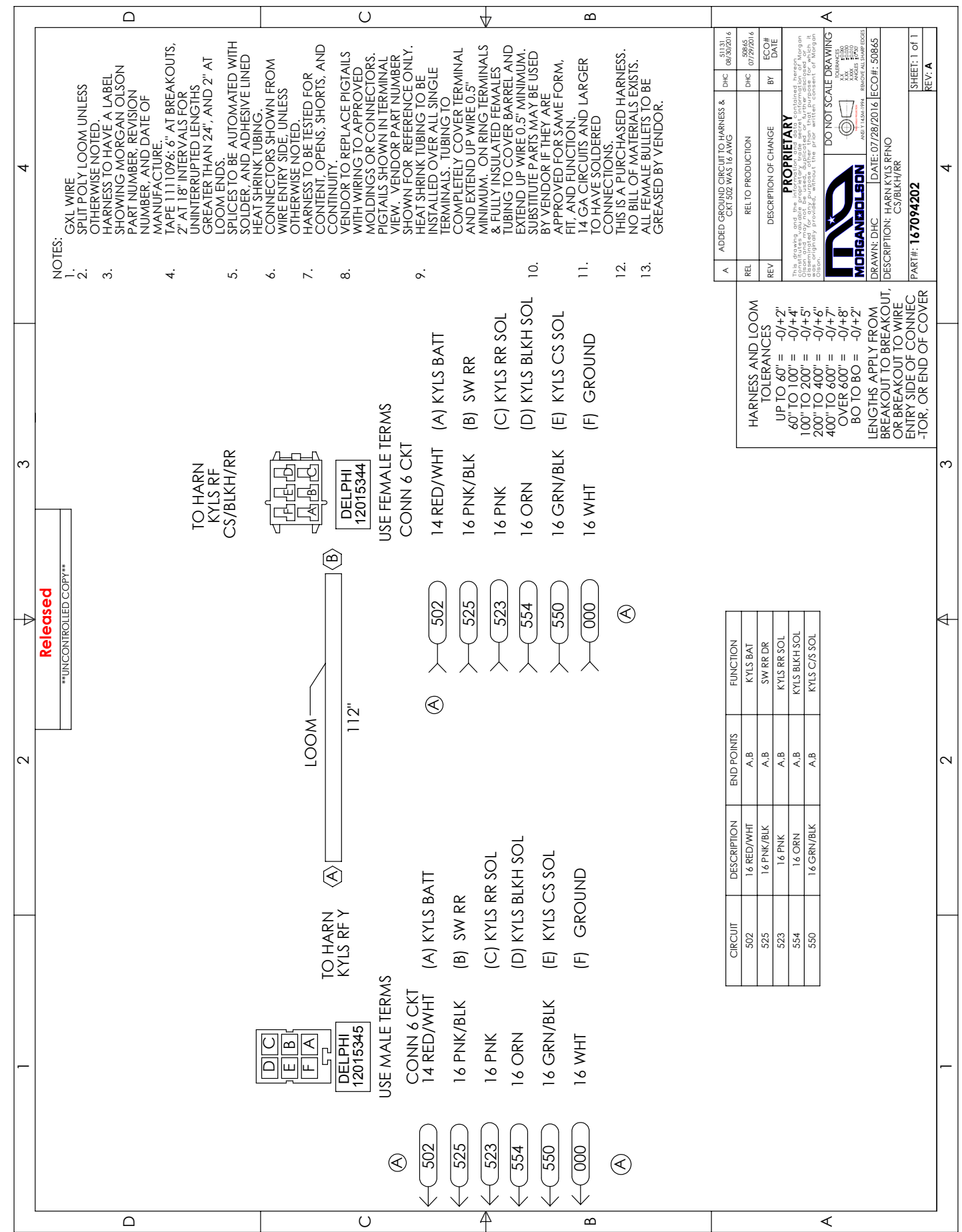
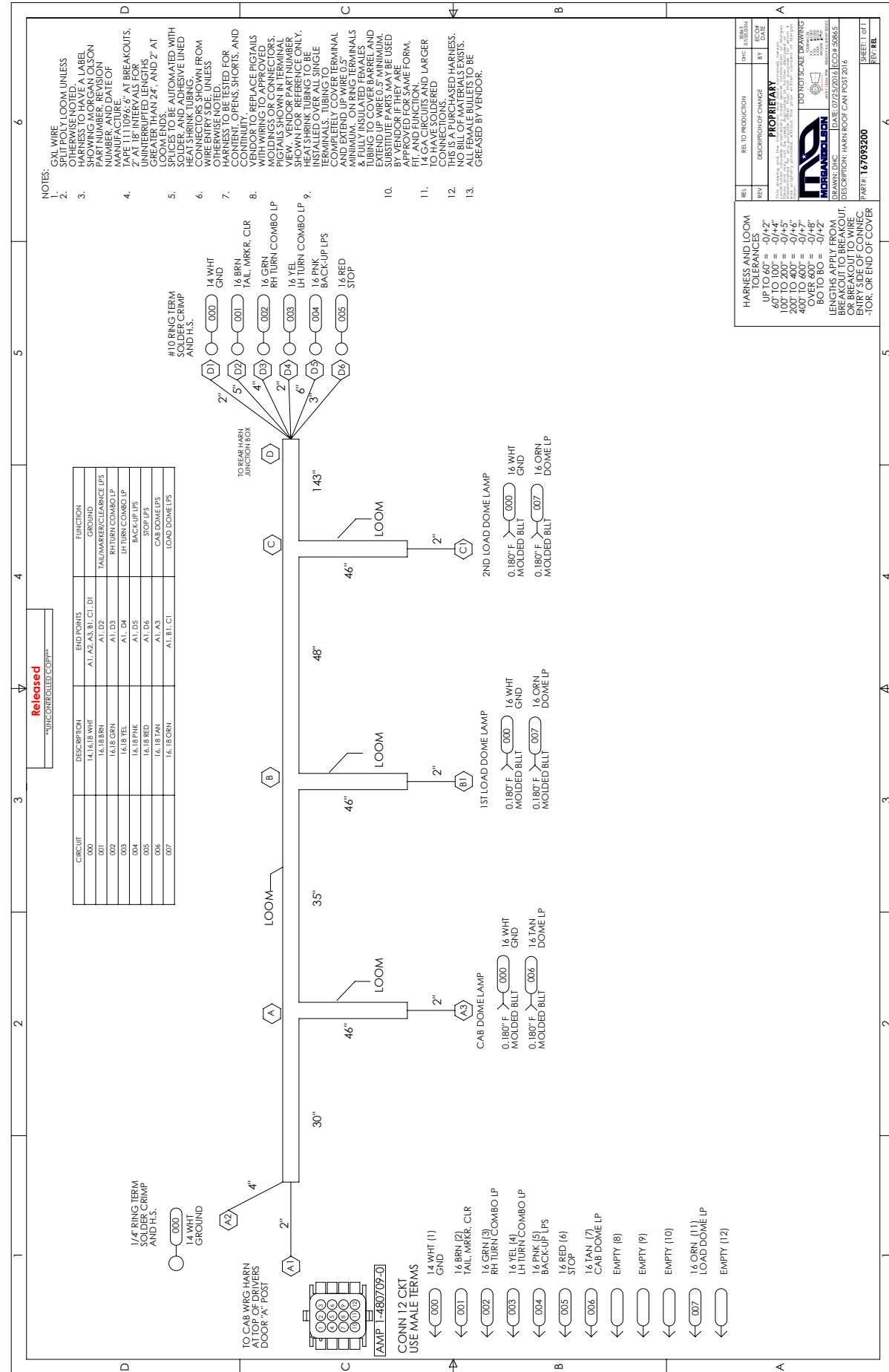


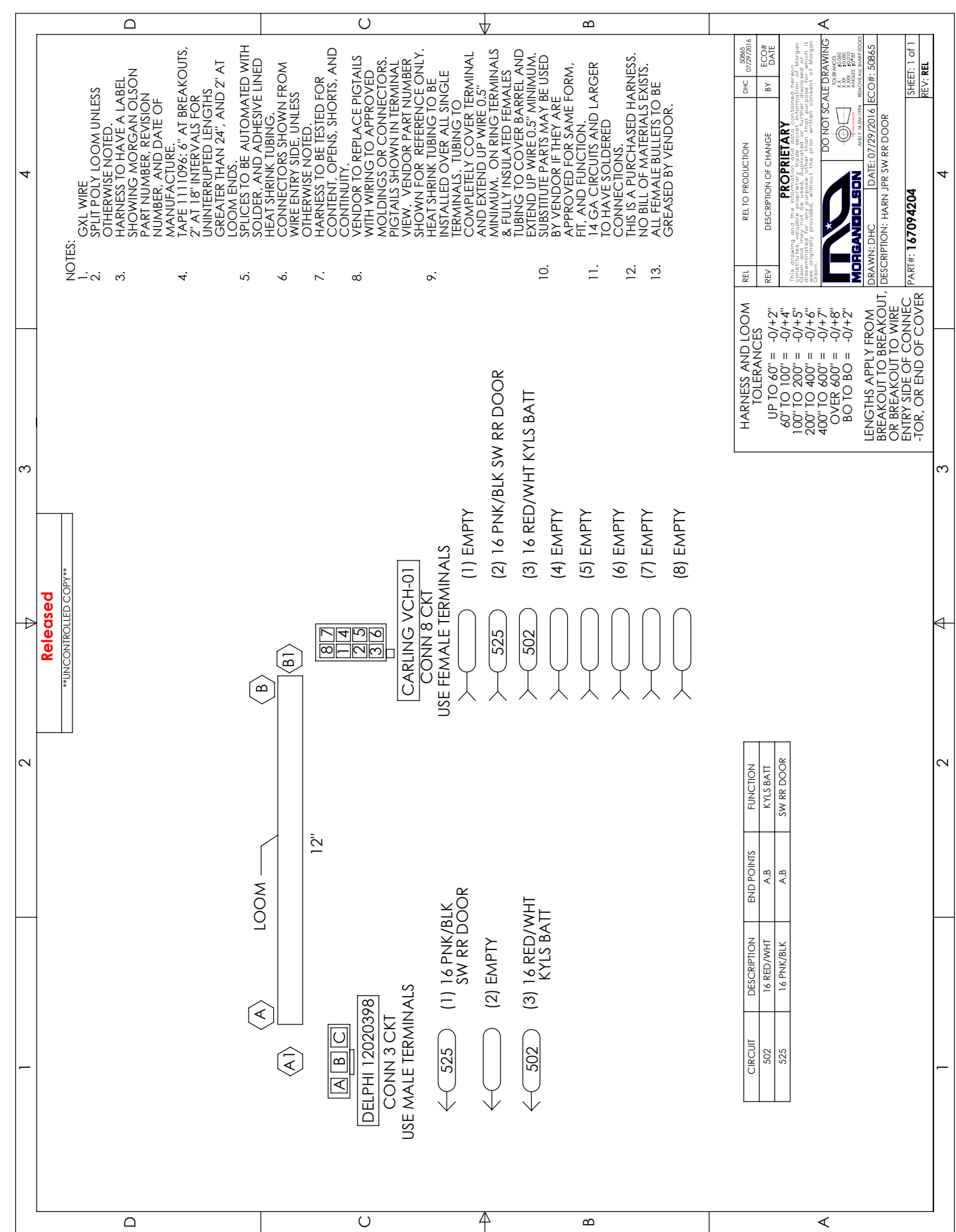
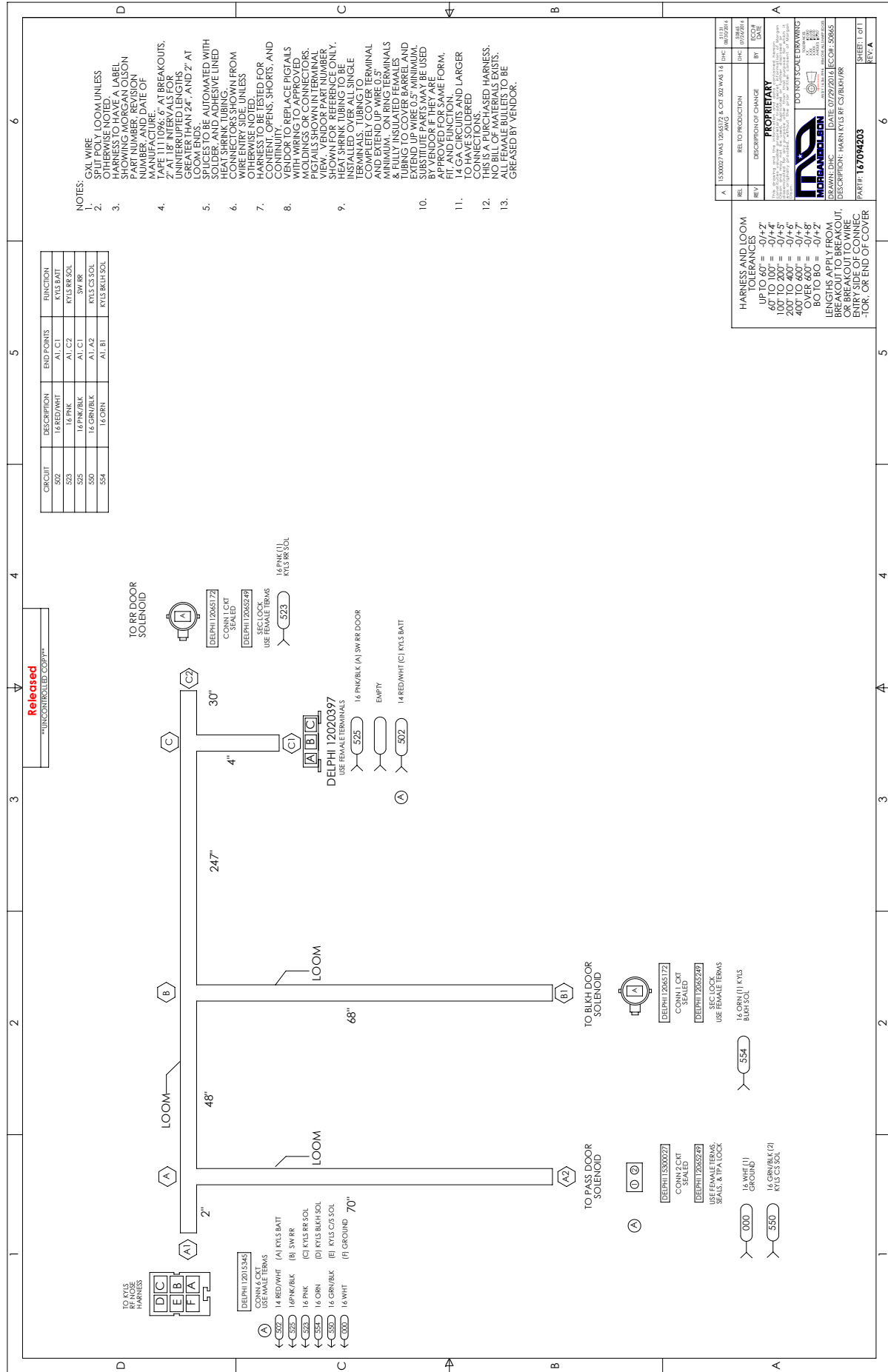


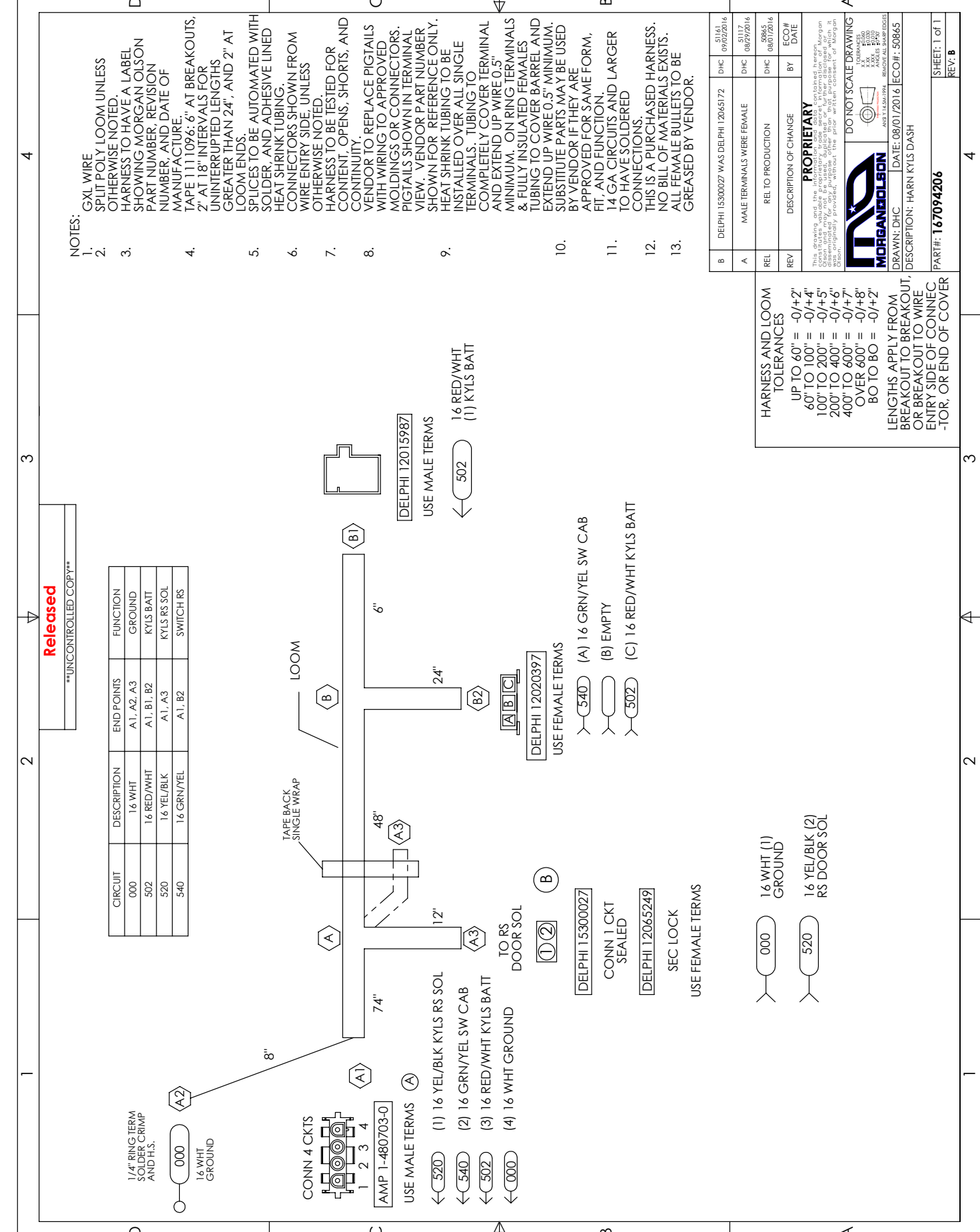
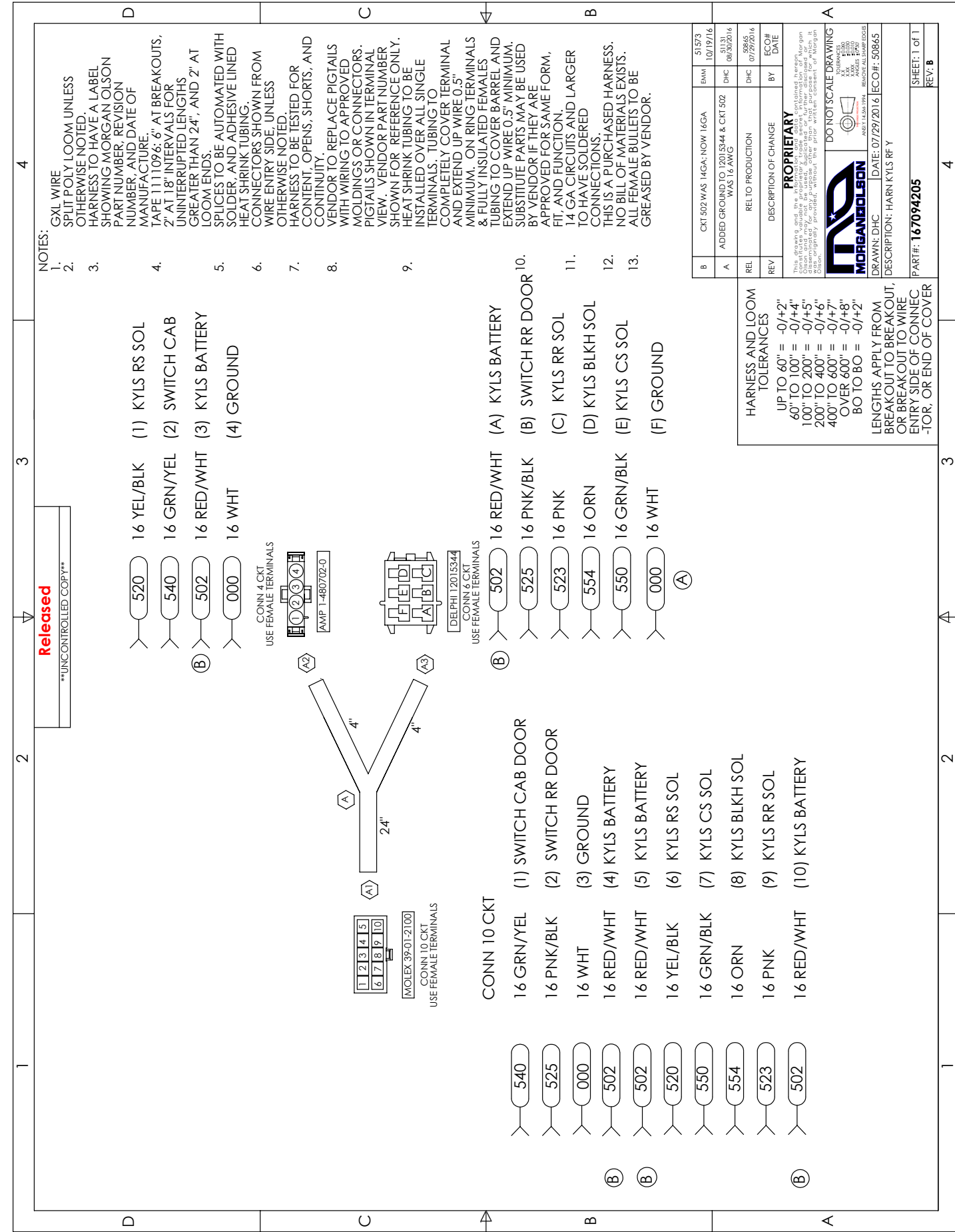






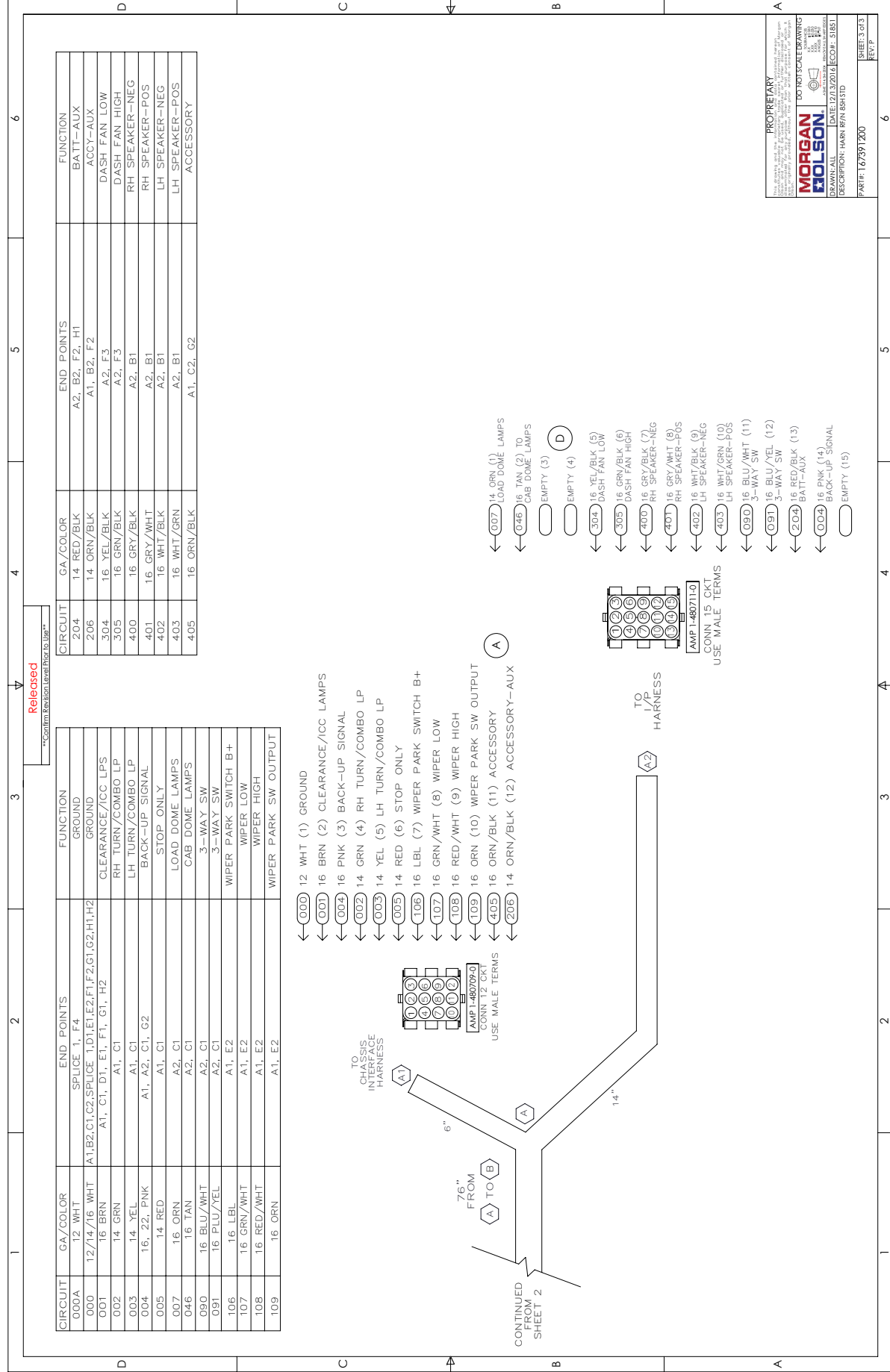




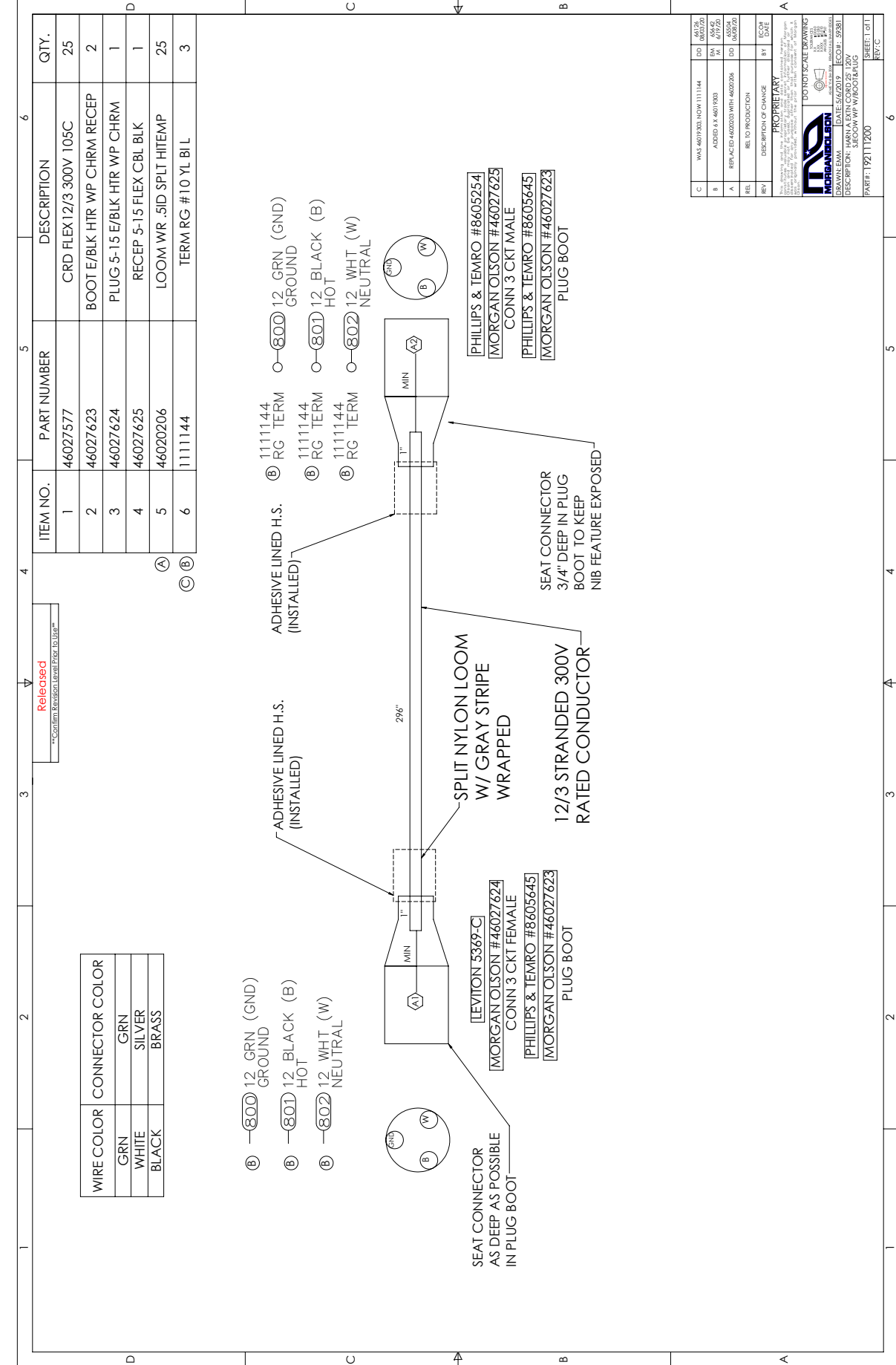




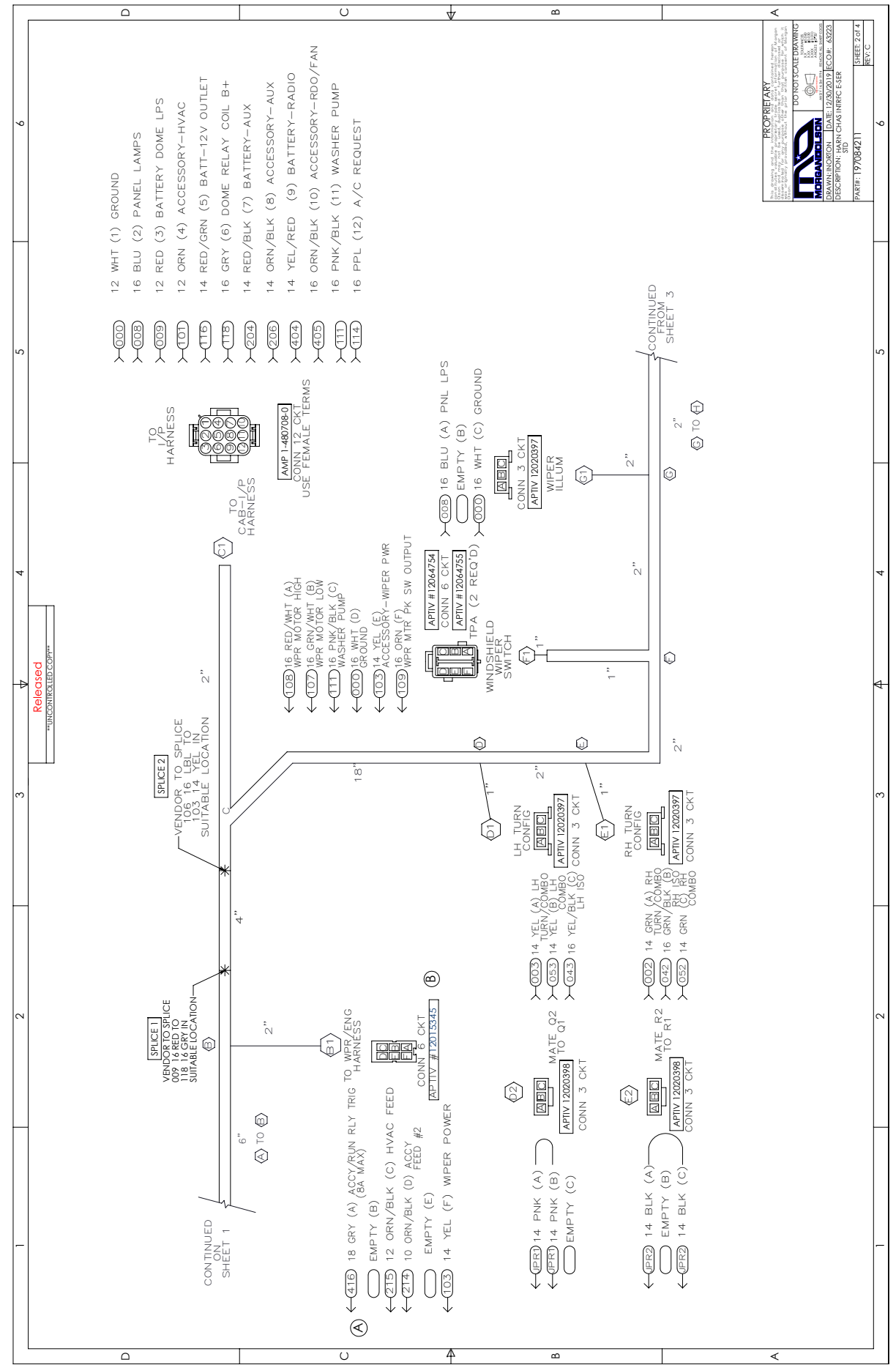
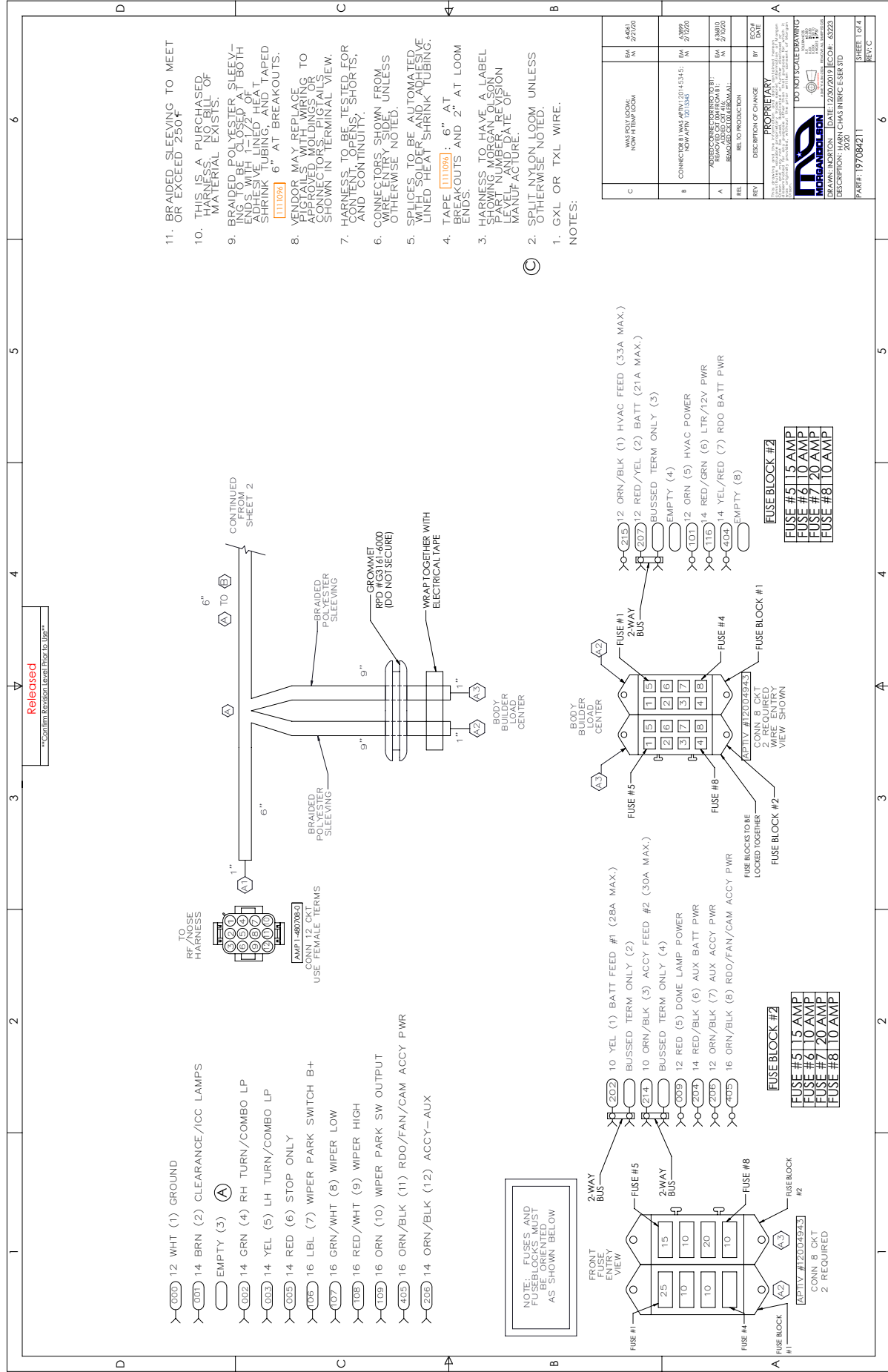


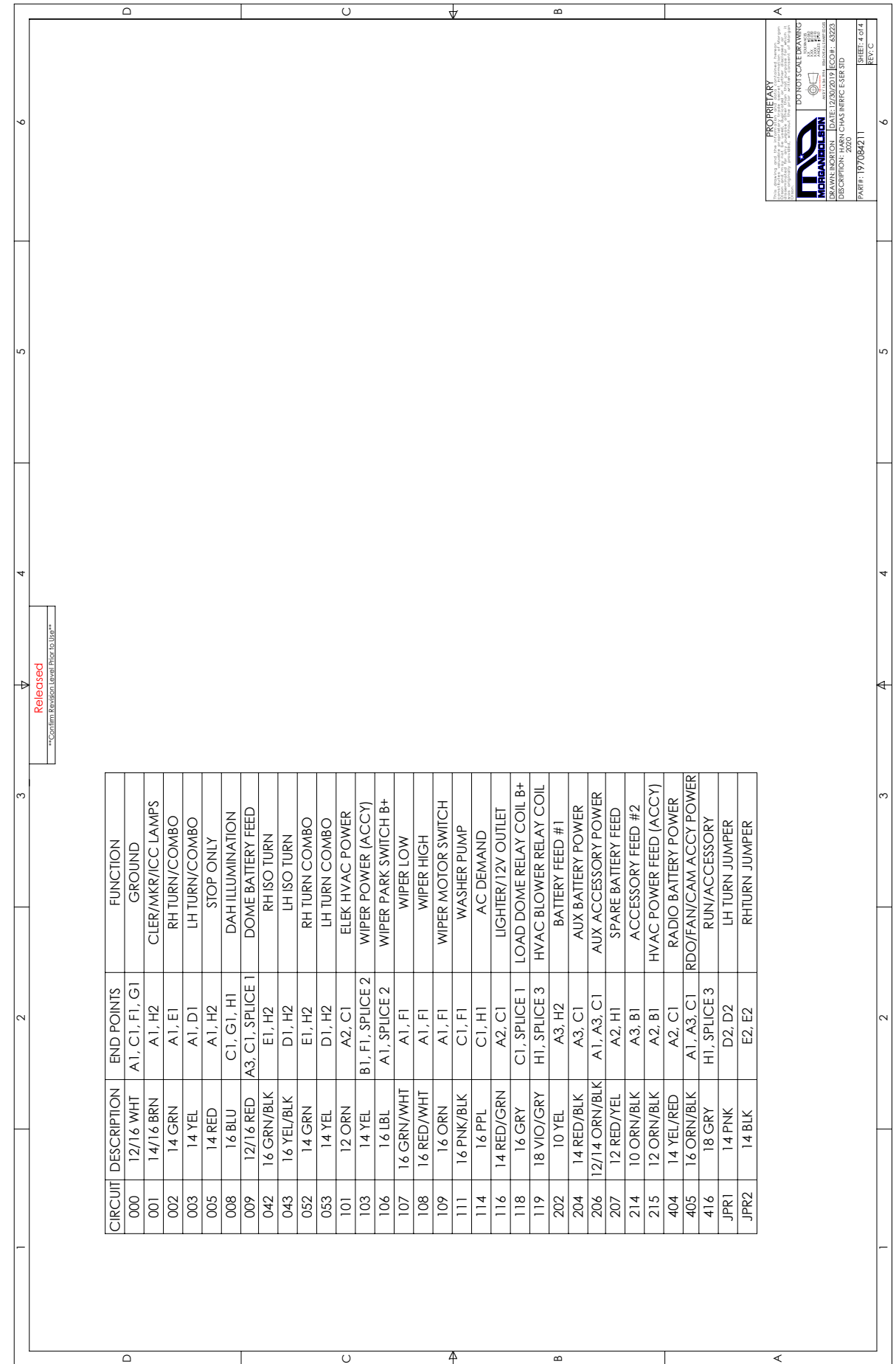
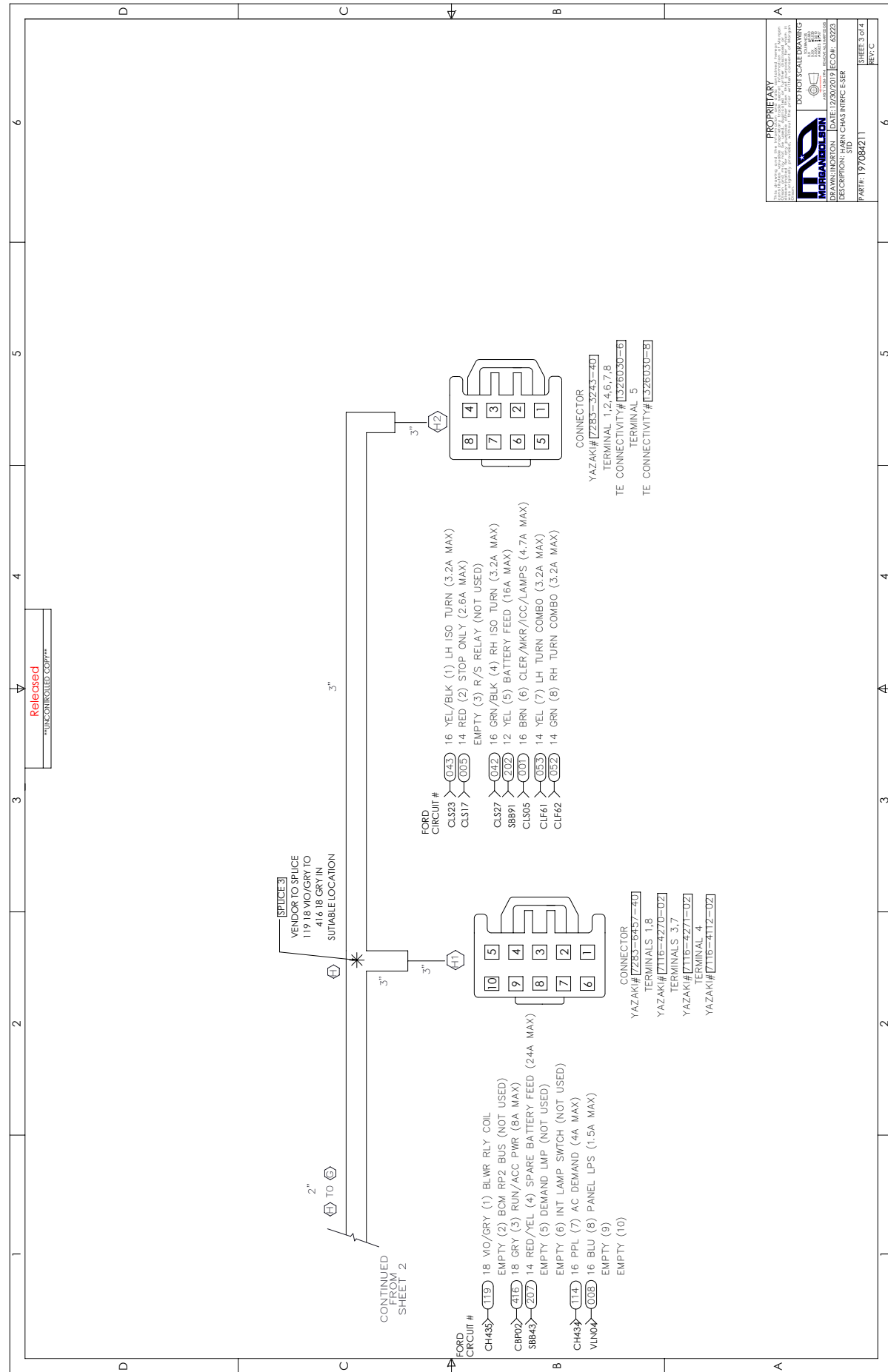


PROPRIETARY  
**MORGAN OLSON**  
 DO NOT SCALE DRAWING  
 DRAWN: JAL DATE: 12/20/14 ECR: J. SIBS  
 DESCRIPTION: WARI 87N 8H1 STD  
 PART: 127391200  
 SHEET 3 OF 3  
 REV: 1



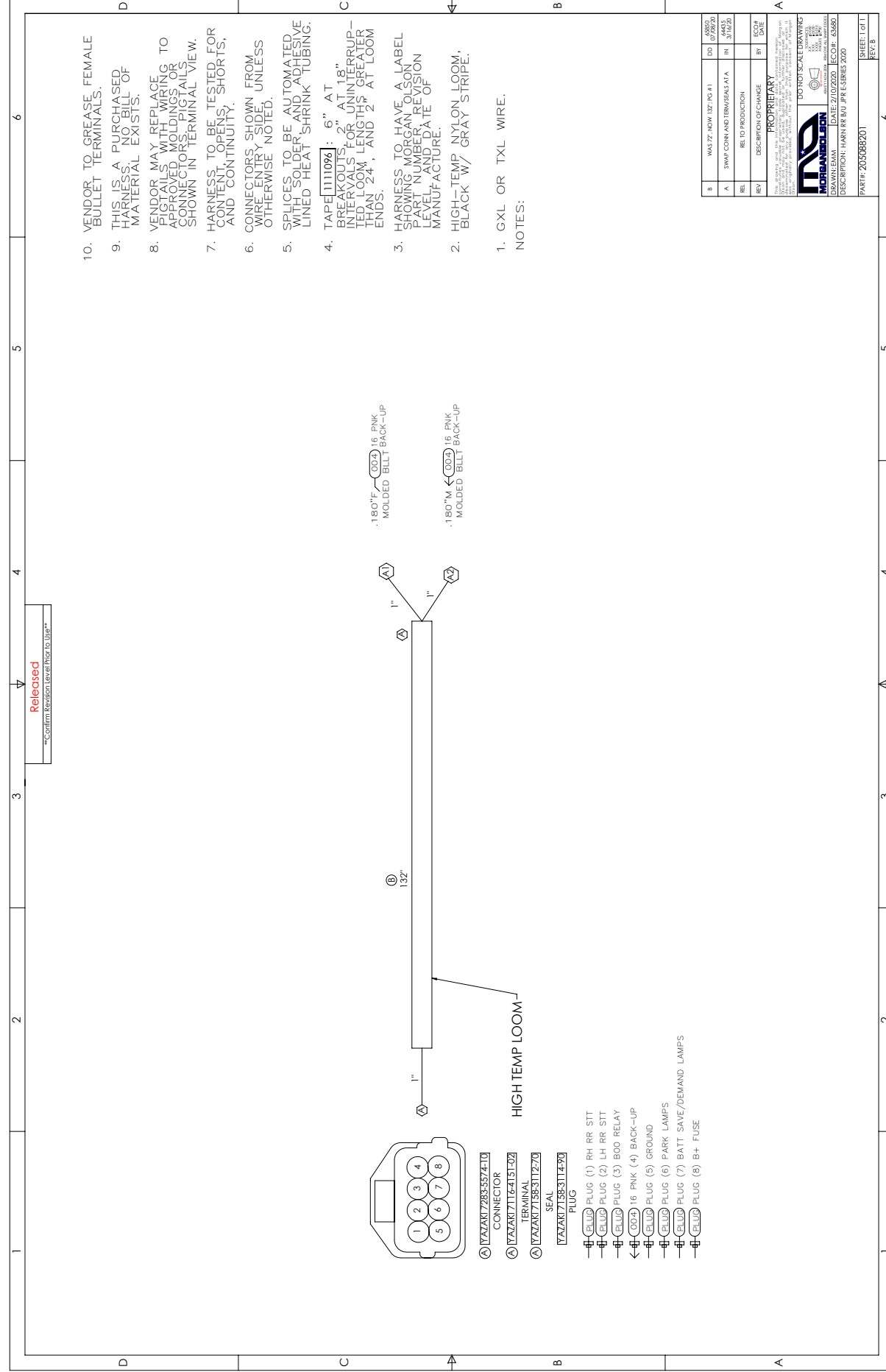
PROPRIETARY  
**MORGAN OLSON**  
 DO NOT SCALE DRAWING  
 DRAWN: JAL DATE: 12/20/14 ECR: J. SIBS  
 DESCRIPTION: WARI 87N 8H1 STD  
 PART: 127391200  
 SHEET 1 OF 3  
 REV: 1



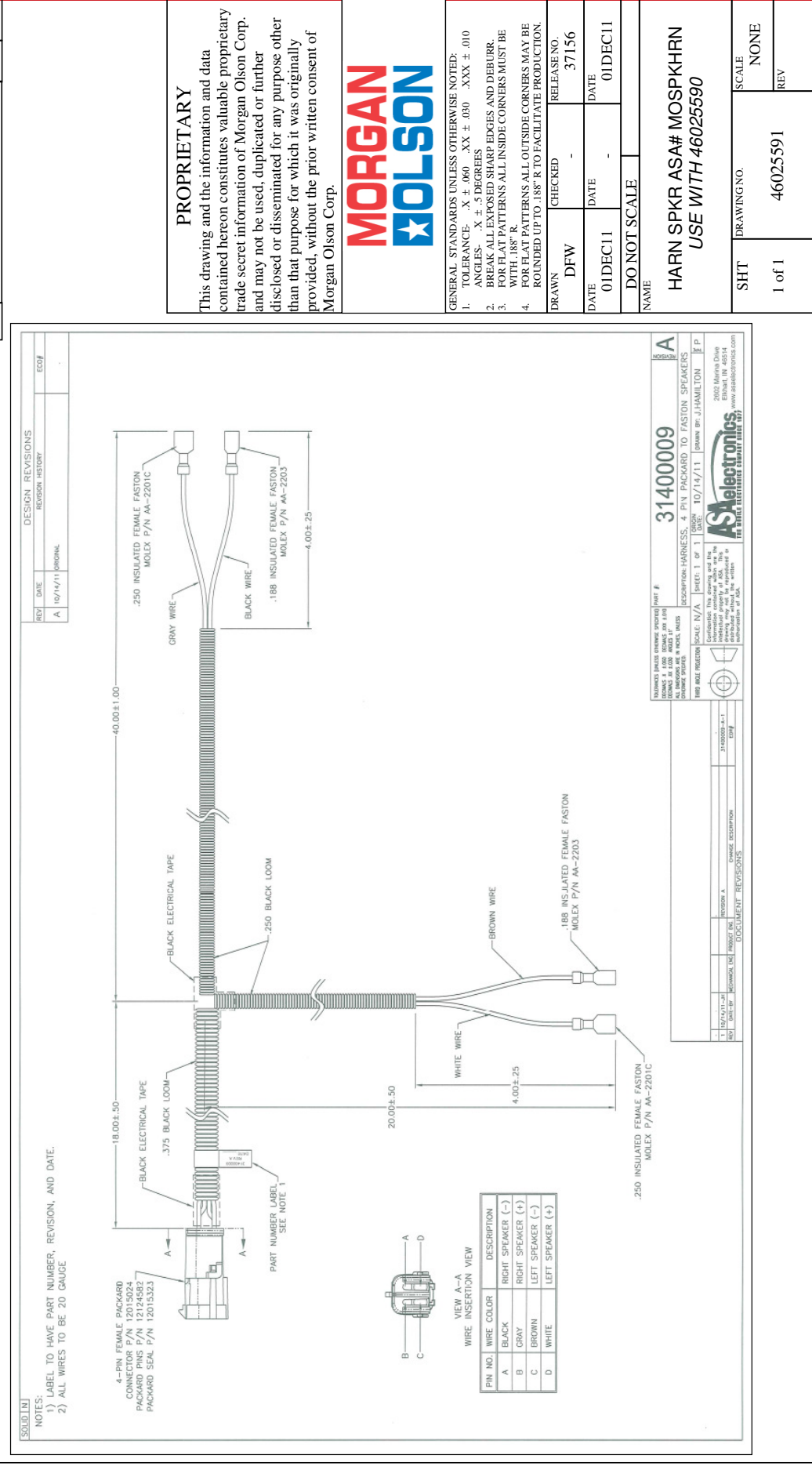








DRAWING NO.	REV	SHT	DESCRIPTION	BY	REL NO
46025591		1 of 1	RELEASE TO PRODUCTION	CHK.	DATE

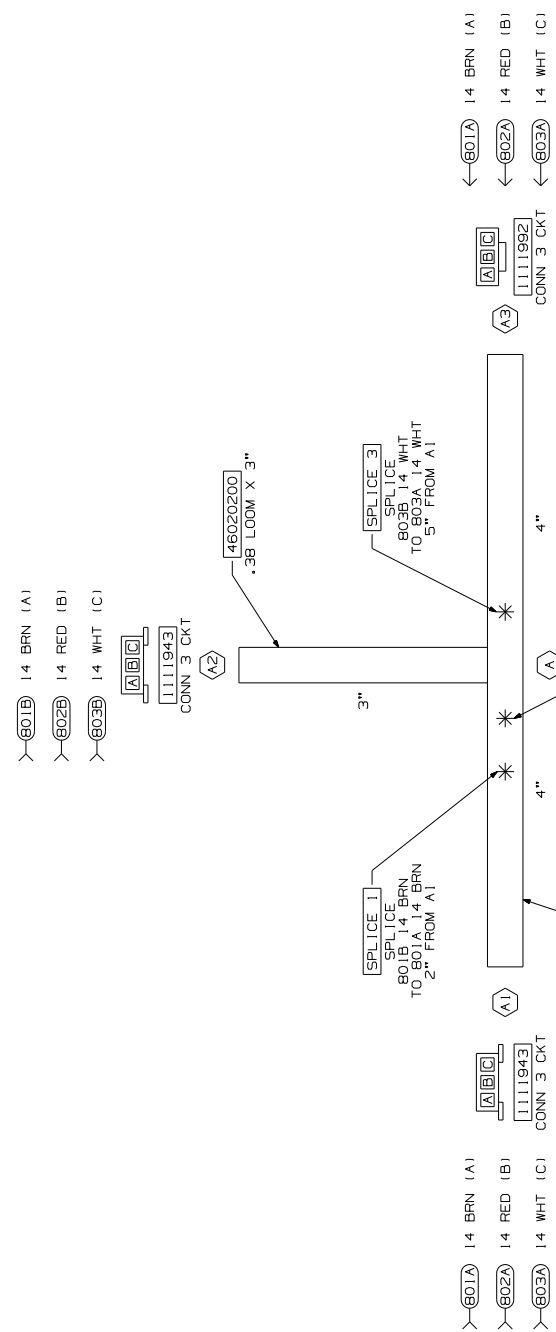


REV.	DESCRIPTION	BY	DATE
	RELEASE TO PRODUCTION	TMC	

DRAWING NO.	REV.	SHT
88117437		1 OF 1

CIRCUIT	DESCRIPTION	END POINTS	FUNCTION
801A	14 BRN 008 1111944 OE 4601B504	A1, A3	GENERIC
801B	14 BRN 005 1111944 OE STR .25	A2, SPLICE 1	GENERIC
802A	14 RED 008 1111944 OE 4601B504	A1, A3	GENERIC
802B	14 RED 004 1111944 OE STR .25	A2, SPLICE 2	GENERIC
803A	14 WHT 008 1111944 OE 4601B504	A1, A3	GENERIC
803B	14 WHT 004 1111944 OE STR .24	A2, SPLICE 3	GENERIC



8. VENDOR MAY REPLACE PIGTAILS WITH WIRING TO APPROVED MOLDINGS OR CONNECTORS. PIGTAILS SHOWN IN TERMINAL VIEW.
7. HARNESS TO BE TESTED FOR CONTENT, OPENS, SHORTS, AND CONTINUITY.
6. CONNECTORS SHOWN FROM WIRE ENTRY SIDE, UNLESS OTHERWISE NOTED.
5. SPLICES TO BE AUTOMATED WITH HEAT SHRINK TUBING. HEAT SHRINK BUTT SPLICES ARE ACCEPTABLE FOR GO FABRICATION IF NECESSARY.
4. TAPE [1111986]: 6" AT BREAKOUTS AND 2" AT LOOM ENDS.
3. HARNESS TO HAVE A LABEL SHOWING GRUMMAN OLSON LEVEL AND REVISION DATE OF MANUFACTURE.
2. SPLIT POLY LOOM UNLESS OTHERWISE NOTED.
  1. GXL WIRE.

NOTES:

**PROPRIETARY**  
 This drawing and the information and data contained hereon are the property of Morgan Olson and may not be reproduced, stored in a retrieval system, or transmitted in any form or by any means, electronic, mechanical, photocopying, recording, or otherwise, without the prior written consent of Morgan Olson.



GENERAL STANDARDS UNLESS OTHERWISE NOTED:

1. TOLERANCES	.0000	.0005	.0010	.0015	.0020	.0030	.0040	.0050
2. DIMENSIONS	ALL DIMENSIONS ARE TO CENTER UNLESS OTHERWISE NOTED.							
3. FINISHES	ALL DIMENSIONS ARE TO CENTER UNLESS OTHERWISE NOTED.							
4. MATERIALS	ALL DIMENSIONS ARE TO CENTER UNLESS OTHERWISE NOTED.							

HARNESS AND LOOM TOLERANCES

UP TO 60"	: -0/+2"
60" TO 100"	: -0/+4"
100" TO 200"	: -0/+5"
200" TO 400"	: -0/+6"
400" TO 600"	: -0/+7"
OVER 600"	: -0/+8"
BO TO BO	: -0/+2"

TOLERANCE IS NOT ACCUMULATIVE. LENGTH HARNESS LENGTH OVERALL BREAKOUT TO END, OR LOOM.

DATE	27FEB02	DATE	02-0241
DATE	28FEB02	DATE	28FEB02
DO NOT SCALE			
NAME			
JUMPER-HARN TEE-GENERIC			
SCALE	NONE	REV	
SHIT	88117437		
1 OF 1			