

C250



Canada Post

SERVICE PARTS CATALOG



800.233.4823

www.morganolsonolsonparts.com

TABLE OF CONTENTS	2
INTRODUCTION	3
FRONT CLIP	4-5
CAB	6-7
FRONT FRAME & GLASS	8-9
STEP ASSEMBLY	10-11
COWL	12
FLOOR MATS	13
DASHBOARD	14-15
PDM & PCM MOUNTING	16
CROSSBAR & STEERING	17
HVAC SYSTEM	18-19
FLOOR	20-21
SIDES	22-23
ROOF	24
BULKHEAD	25
SIDE DOORS	26-27
REAR	28-29
CARGO CONTROL	30-31
ROLL UP DOOR CURBSIDE	32-33
ROLL UP DOOR ROADSIDE	34-35
ROLL UP DOOR REAR	36-37
BUMPERS	38-39
MIRRORS & WIPER ASSEMBLY	40
WIPER ASSEMBLY	41
SEATS	42-43
SUB FRAME	44-45
MISCELLANEOUS	46-47
ELECTRICAL	48-49
KEYLESS LOCKS - CARGO DOORS	50
WIRING HARNESS	51
WALK-IN VAN COMMON FASTENERS	52-56

This parts guide contains illustrations and part numbers for Canada Post Package Delivery Vehicles and applies to bill of material JV003609. Orientation is from the rear looking forward, LH=Roadside, RH=Curbside

How to order Morgan Olson parts from our Canadian Parts Distributor

The first step is to locate the part numbers you would like to order.

Method 1 (Recommended)

Go to our parts web site, WWW.MORGANOLSONPARTS.COM and search your vehicle VIN number to get a list of parts generated directly from your vehicles Bill of Material.

You may filter the list of items further by selecting the category for the location of the parts. IE. Bumper, Hood, Glass, Rear Door, etc.

You may use the search drop down menu to select a different search type: Search By; Description/Part Number, Unit Number or VMRS Number.

Method 2

Use this parts catalog to identify your part numbers.

Method 3

Call our Canadian Parts Distributor, Jim Keay Ford

Primary Contact Ben 1-613-841-4021

Secondary Contact Chris 1-613-841-4021

Please have your VIN number available and the parts specialist will help you identify the parts you need.

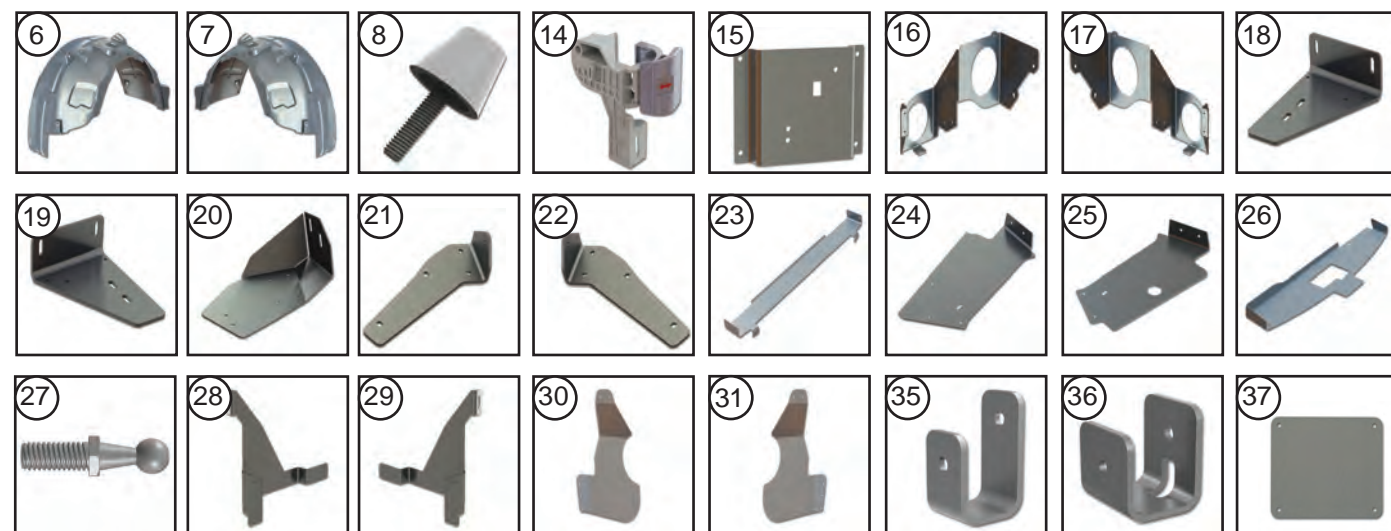
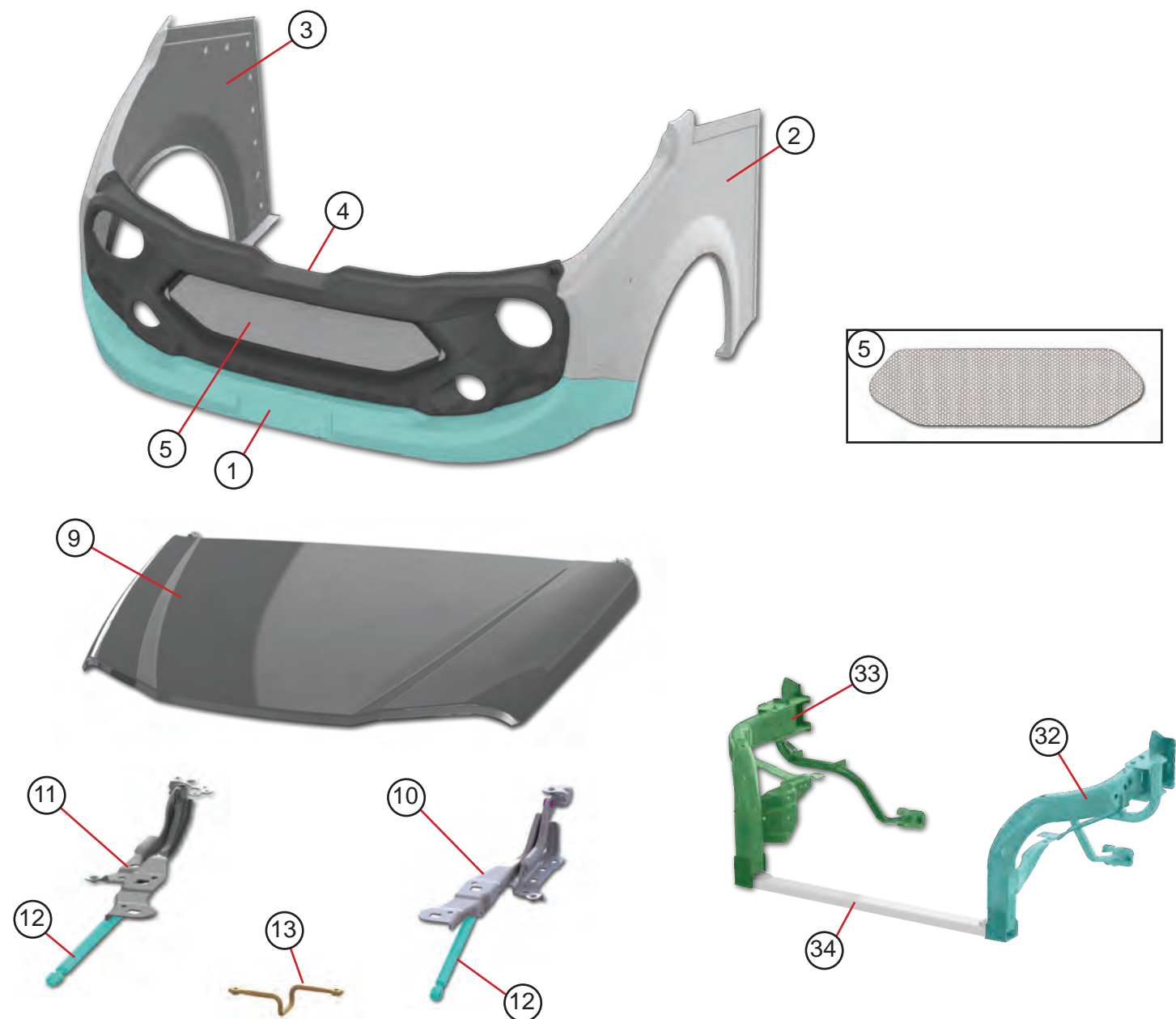
Helpful tip: On the parts website, you can create a saved list of items or just add the items to the shopping cart, then use the **shared list** feature to email your list to morganolsonparts@jimkeayford.com They will respond with pricing and availability information

FOR WARRANTY INFORMATION CALL 1-800-262-3437

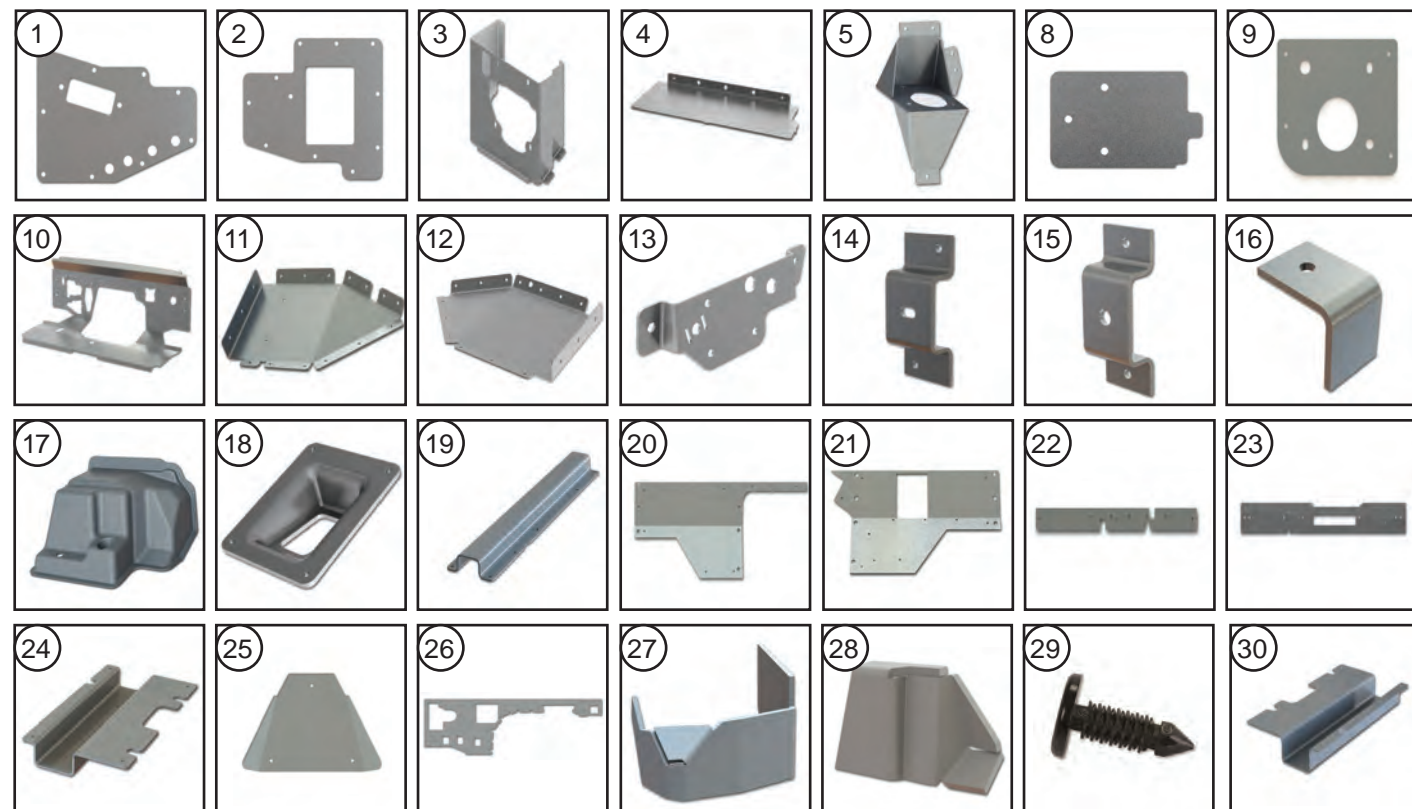
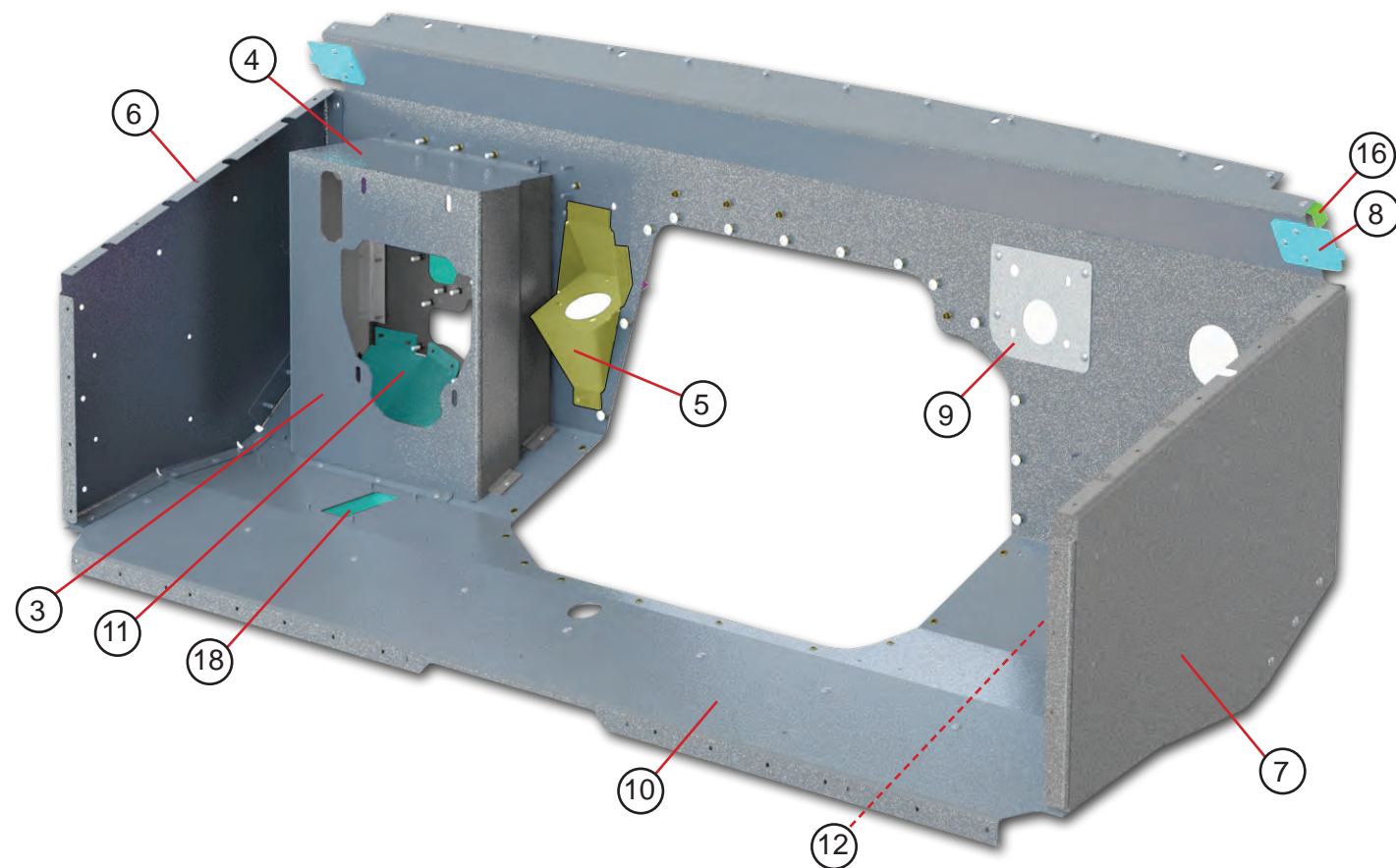
ANY QUESTIONS OR CONCERNS SHOULD BE DIRECTED TO YOUR SERVICE PARTS REPRESENTATIVE AT 1-800-233-4823

At Morgan Olson, our quest for quality and safety is ongoing and therefore the specifications on the product described herein may vary over time.

Please contact Morgan Olson for the latest product information and available safety features and options.

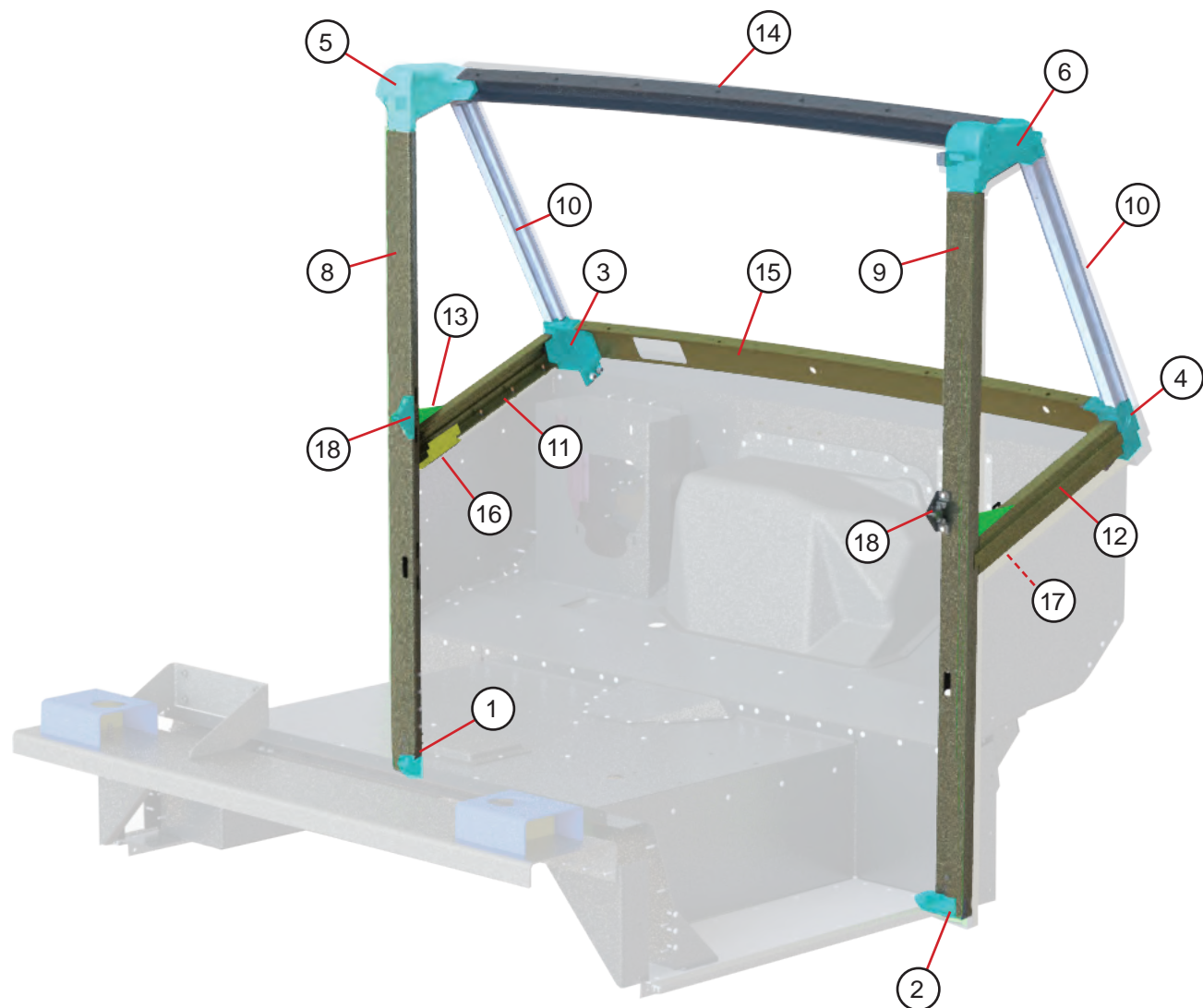


ITEM #	PART #	DESCRIPTION	QTY	UNIT
1	49013083	SPOILER ABS LOWER	1	EA
2	49013080	FENDER HOOD ABS LH	1	EA
3	49013081	FENDER HOOD ABS RH	1	EA
4	219017202	GRILL SURROUND ASSEMBLY W/ MESH (#4 & #5)	1	EA
5	209017400	GRILL MESH AL HONEYCOMB 11.64X42.06	1	EA
6	219026400	SPLASH PAN LH WHEEL WELL	1	EA
7	219026401	SPLASH PAN RH WHEEL WELL	1	EA
8	49013381	HOOD STOP BUMPER RUBBER	2	EA
9	49013085	HOOD ASSEMBLY	1	EA
10	CS9017001	HOOD HINGE LH	1	EA
11	CS9017002	HOOD HINGE RH	1	EA
12	CS9017003	GAS SPRING	2	EA
13	CS9017004	STRIKER HOOD	1	EA
14	49003145	HOOD RELEASE	1	EA
15	219005500	BRACKET MOUNTING HOOD RELEASE AL .102X6X9.94	1	EA
16	219017400	BRACKET HOOD AL .125X14.12X31.13 LH	1	EA
17	219017401	BRACKET HOOD AL .125X14.12X31.13 RH	1	EA
18	219017402	BRACKET HOOD HINGE AL .188X6.7X10.47 LH	1	EA
19	219017403	BRACKET HOOD HINGE AL .188X6.7X10.47 RH	1	EA
20	219017404	BRACKET X/VIEW STL 11GAX7.81X17.66	1	EA
21	219017405	BRACKET GAS SPRING STEEL 7GA X4.69X12.81 LH	1	EA
22	219017406	BRACKET GAS SPRING STEEL 7GA X4.69X12.81 RH	1	EA
23	219017410	BRACKET CLOSURE LOWER AL .07X7.7X42.35	1	EA
24	219017411	BRACKET CLOSURE AL .07X8.81X18.67 LH	1	EA
25	219017412	BRACKET CLOSURE AL .07X8.14X17.98 RH	1	EA
26	219017413	BRACKET CLOSURE AL .102X10.84X43.61	1	EA
27	126106427	STUD BALL THD 10X.31-18X1.60A	2	EA
28	229027500	BRACKET REINFORCEMENT LH AL .102X14.55X19.99	1	EA
29	229027501	BRACKET REINFORCEMENT RH AL .102X14.55X19.99	1	EA
30	229027502	BRACKET REINFORCEMENT LH AL .102X11X17.69	1	EA
31	229027503	BRACKET REINFORCEMENT RH AL .102X11X17.69	1	EA
32	Pending	SUPPORT ASSEMBLY FENDER LH	1	EA
33	Pending	SUPPORT ASSEMBLY FENDER RH	1	EA
34	Pending	CROSS BAR	1	EA
35	229026500	BRACKET FENDER LINER AL .125X1X4.88 LH	1	EA
36	229026501	BRACKET FENDER LINER AL .125X1.57X4.38 RH	1	EA
37	229026503	PLATE FENDER LINER UHMW POLY .125X6X7	2	EA

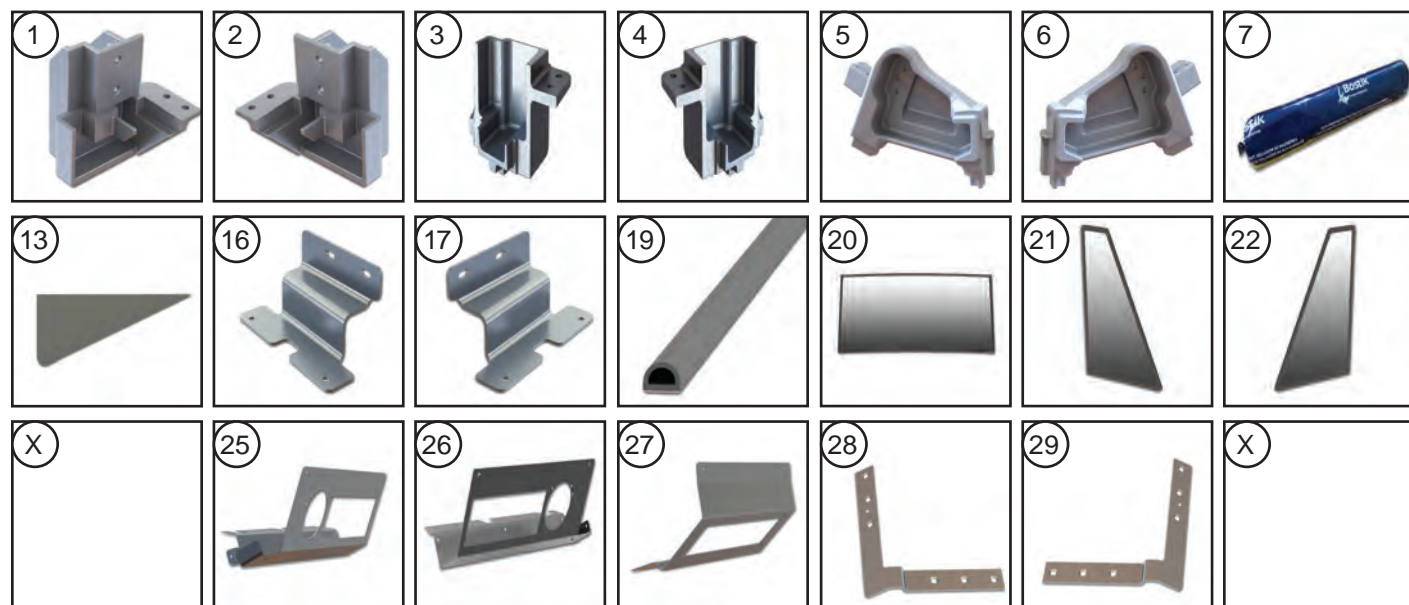


ITEM #	PART #	DESCRIPTION	QTY.	UNIT
1	209005419	PLATE A/C AL .102X7.96X11.25	1	EA
2	209005420	PLATE FRESH AIR INTAKE AL .102X9.6X11.25	1	EA
3	209005421	WRPR HVAC AL.102X18.68X31.37	1	EA
4	209005422	PLATE TOP HVAC AL .102X7.45X16.25	1	EA
5	219005204	STEARING PASS THRU WELDMENT	1	EA
6	219005413	CAB SKIRT AL .07X23.54X25.47 LH	1	EA
7	219005414	CAB SKIRT AL .07X23.54X25.47 RH	1	EA
8	219005415	PLATE FILLER TOE BOARD AL .102X2.63X4.19	2	EA
9	219005420	PLATE BRK BOOS STEEL 16GA X6X7	1	EA
10	229005400	TOE BOARD PANEL AL .102X49.96X76	1	EA
11	219005423	WHEEL BOX FRONT AL .102X9.25X16.48 LH	1	EA
12	219005424	WHEEL BOX FRONT AL .102X9.24X16.47 RH	1	EA
13	219005425	BRACKET MOUNTING AL .102X2.72X9.04	1	EA
14	219005426	BRACKET MOUNTING CLIP AL .102X1.5X4.52	1	EA
15	219005427	BRACKET MOUNTING CLIP AL .102X1.25X4.28	2	EA
16	219005431	BRACKET CAB CLOSURE AL .102X.88X2.18	2	EA
17	229005405	COVER ENGINE BOX	1	EA
18	49013167	DRAIN HVAC	1	EA
19	229005402	STIFFENER TOEBOARD	1	EA
NS	229005206	ENGINE BOX COVER EXTENSION WELDEMENT	1	EA

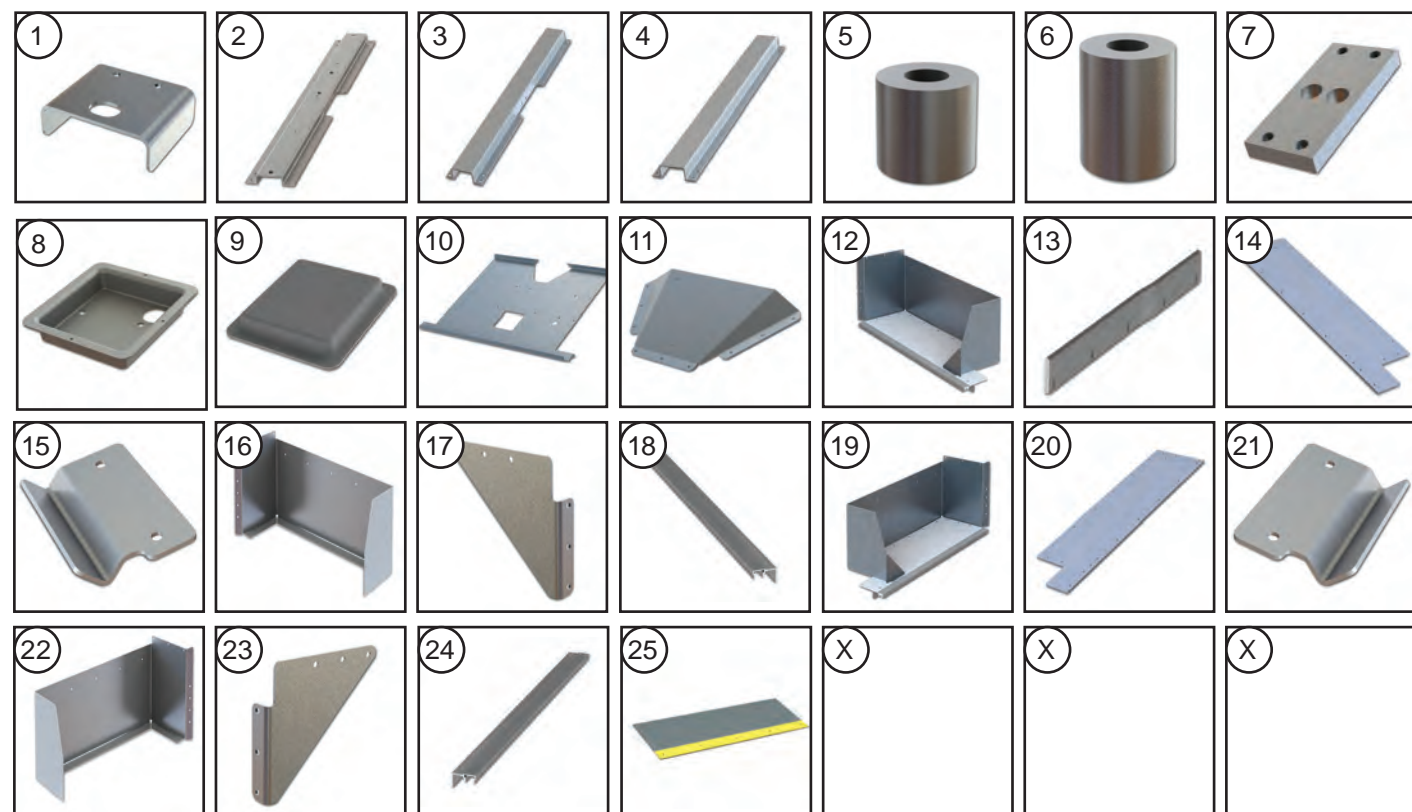
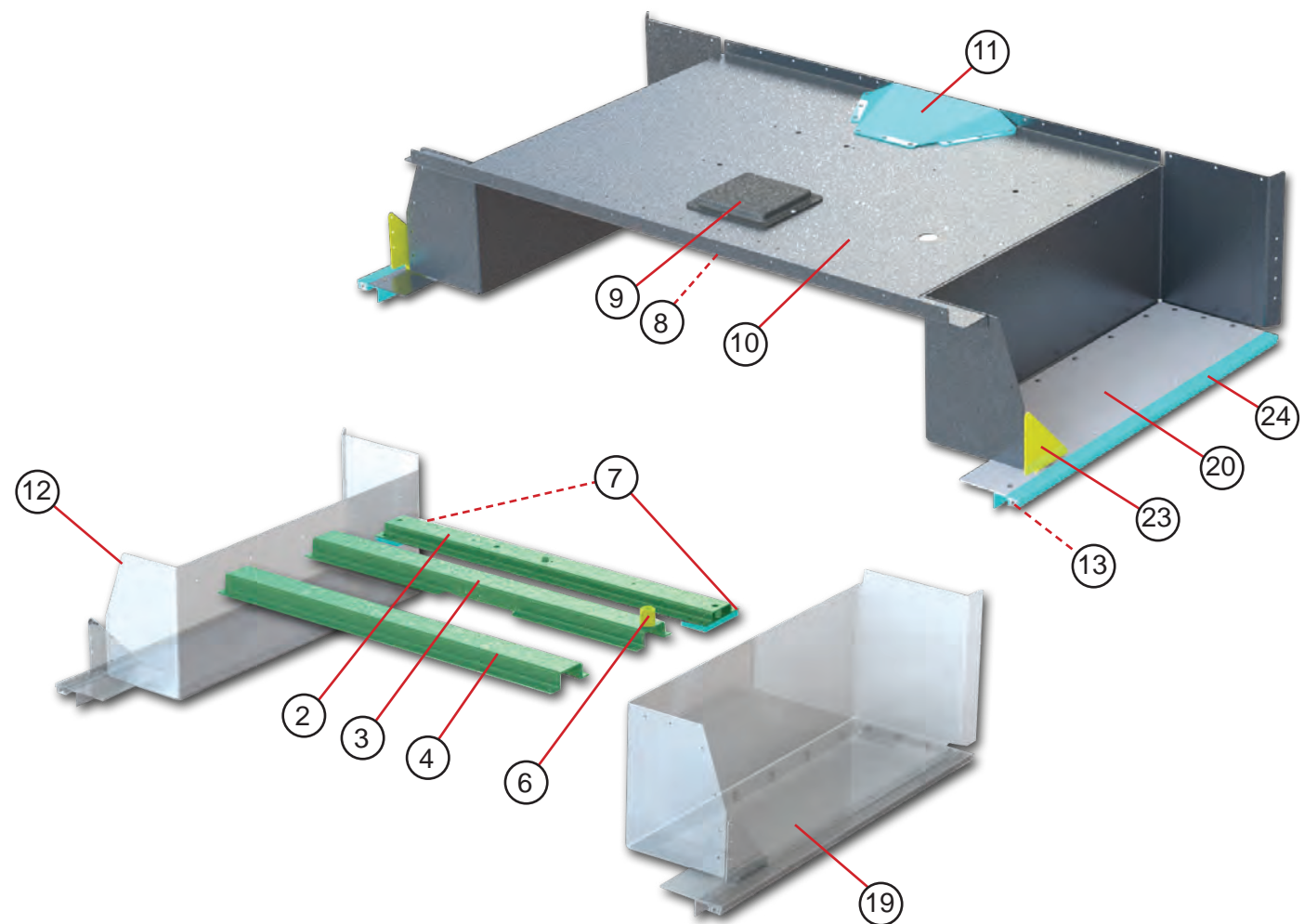
ITEM #	PART #	DESCRIPTION	QTY	UNIT
20	49013261	INSULATION DASH FLOOR EXT RH	1	EA
21	49013260	INSULATION DASH FLOOR EXT LH	1	EA
22	49013258	INSULATION CAB CENTER FRONT EXT	1	EA
23	49013259	INSULATION CAB CENTER FRONT EXT	1	EA
24	49013913	INSULATION CAB FLOOR TRNS EXT	1	EA
25	209005505	INSULATION TRANSOM EXT	1	EA
26	209006500	INSULATION DASH EXT	1	EA
27	49013262	INSULATION ENGINE BOX TOP	1	EA
28	49013263	INSULATION ENGINE BOX REAR	1	EA
29	47006630	CLIP PLASTIC ROUND HEAD	2	EA
30	229024400	HEAT SHIELD CAB AL .07X12.06X16	1	EA



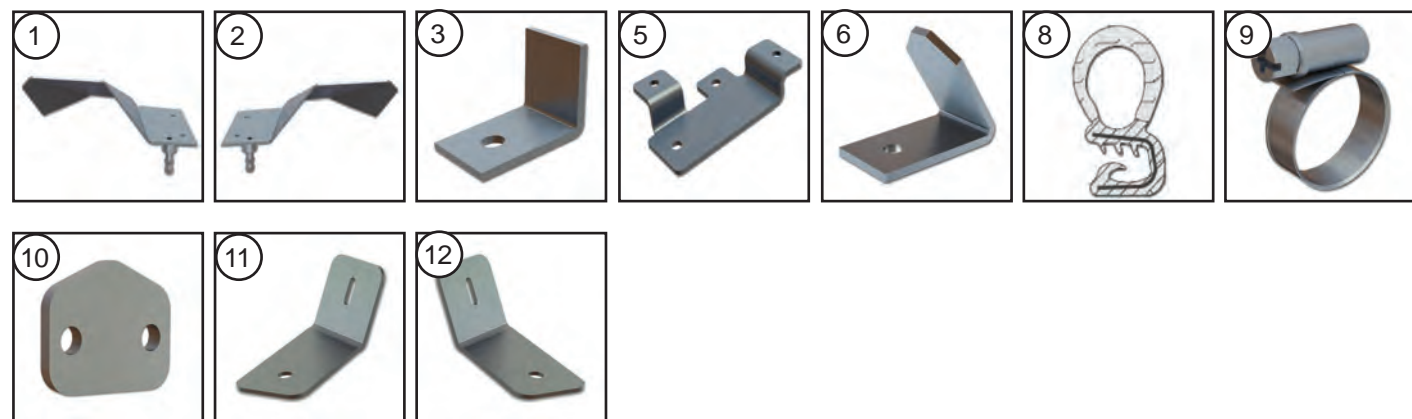
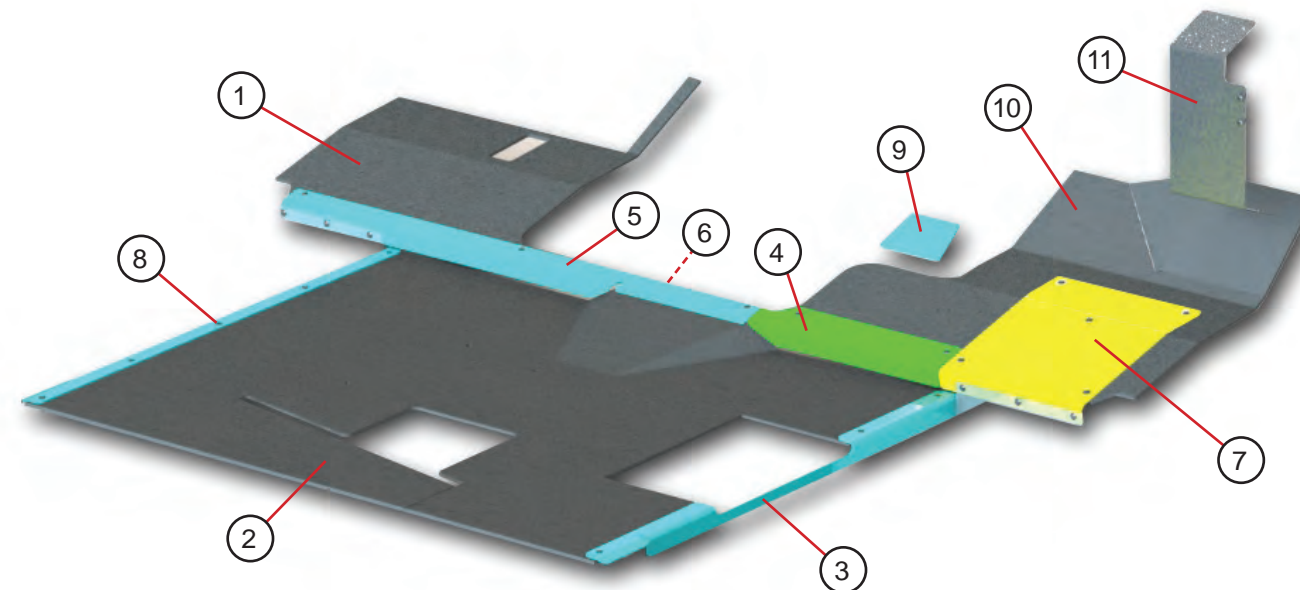
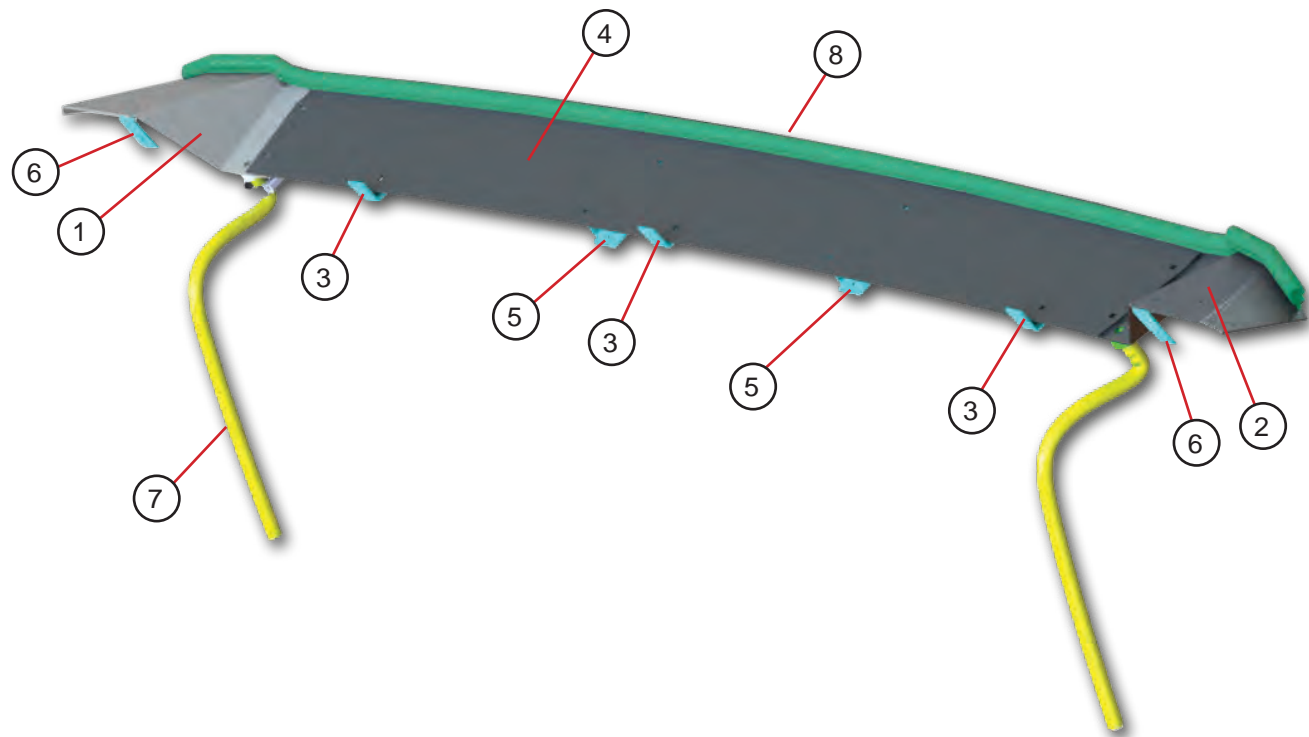
ITEM #	PART #	DESCRIPTION	QTY	UNIT
1	49013408	CASTING LOWER DOOR LH	1	EA
2	49013409	CASTING LOWER DOOR RH	1	EA
3	49013108	CORNER AL CASTING COWL LH	1	EA
4	49013109	CORNER AL CASTING COWL RH	1	EA
5	49013110	CORNER AL CASTING ROOF LH	1	EA
6	49013111	CORNER AL CASTING ROOF RH	1	EA
7	49013168	SEALANT 20OZ BLACK	5	EA
8	219055500	A/POST AL 490156X67.74 LH	1	EA
9	219055501	A/POST AL 490156X67.74 RH	1	EA
10	219055502	PILLAR ASSEMBLY W/S AL 490126X27.56 L/R	2	EA
11	219055503	SUPPORT TRIANGLE GLASS AL 490127X23.66 LH	1	EA
12	219055504	SUPPORT TRIANGLE GLASS AL 490127X23.66 RH	1	EA
13	219055505	GUSSET W/S FRAME AL .125X2X5.26	1	EA
14	219055506	FRAME W/S UPPER AL 490115X70.77	1	EA
15	219055507	FRAME W/S LOWER AL 490157X68.77	1	EA
16	219027502	BRACKET DASH SUPPORT AL .102X5.65X6.2 LH	1	EA
17	219027503	BRACKET DASH SUPPORT AL .102X5.14X7.5 RH	1	EA
18	49013415	STRIKER DOOR	2	EA
19	49003131	SEAL RUBBER BLB DOOR	.578	RL
20	49013142	WINDSHIELD	1	EA
21	49013150	SIDE TRIANGLE WINDOW LH (ROADSIDE)	1	EA
22	49013151	SIDE TRIANGLE WINDOW RH (CURBSIDE)	1	EA
23		BLANK		
24		BLANK		



OVERHEAD COMPARTMENT - VISOR / SPEAKERS / MONITOR				
25	229061500	BRACKET SUNVISOR AL .07X16.85X26.36 LH	1	EA
26	229061501	BRACKET SUNVISOR AL .07X16.85X26.36 RH	1	EA
27	229061502	BRACKET MONITOR AL .102X14.14X16.75	1	EA
28	229055400	BRACE W/S AL .102X7.09X8.45 LH	1	EA
29	229055401	BRACE W/S AL .102X7.09X8.45 RH	1	EA

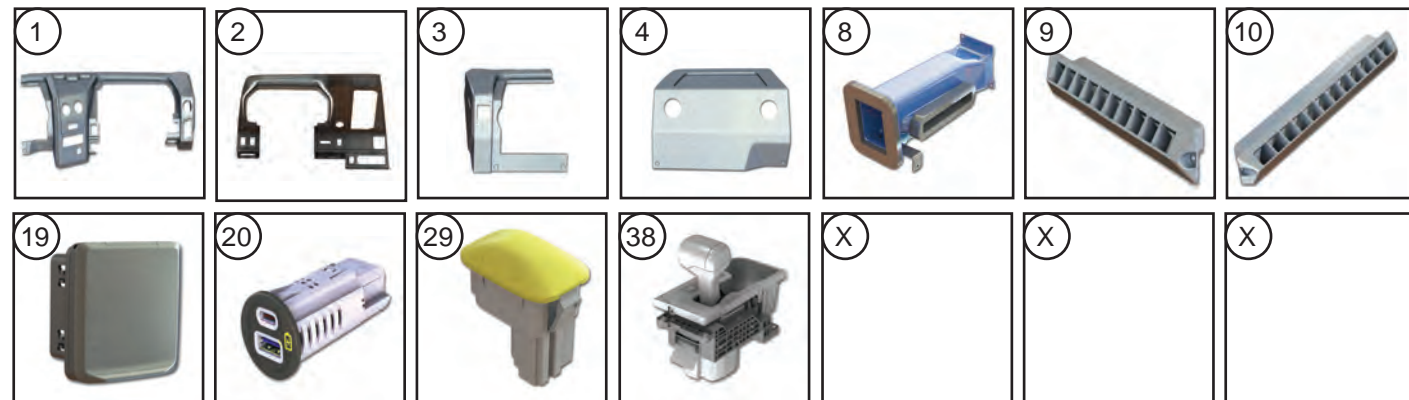
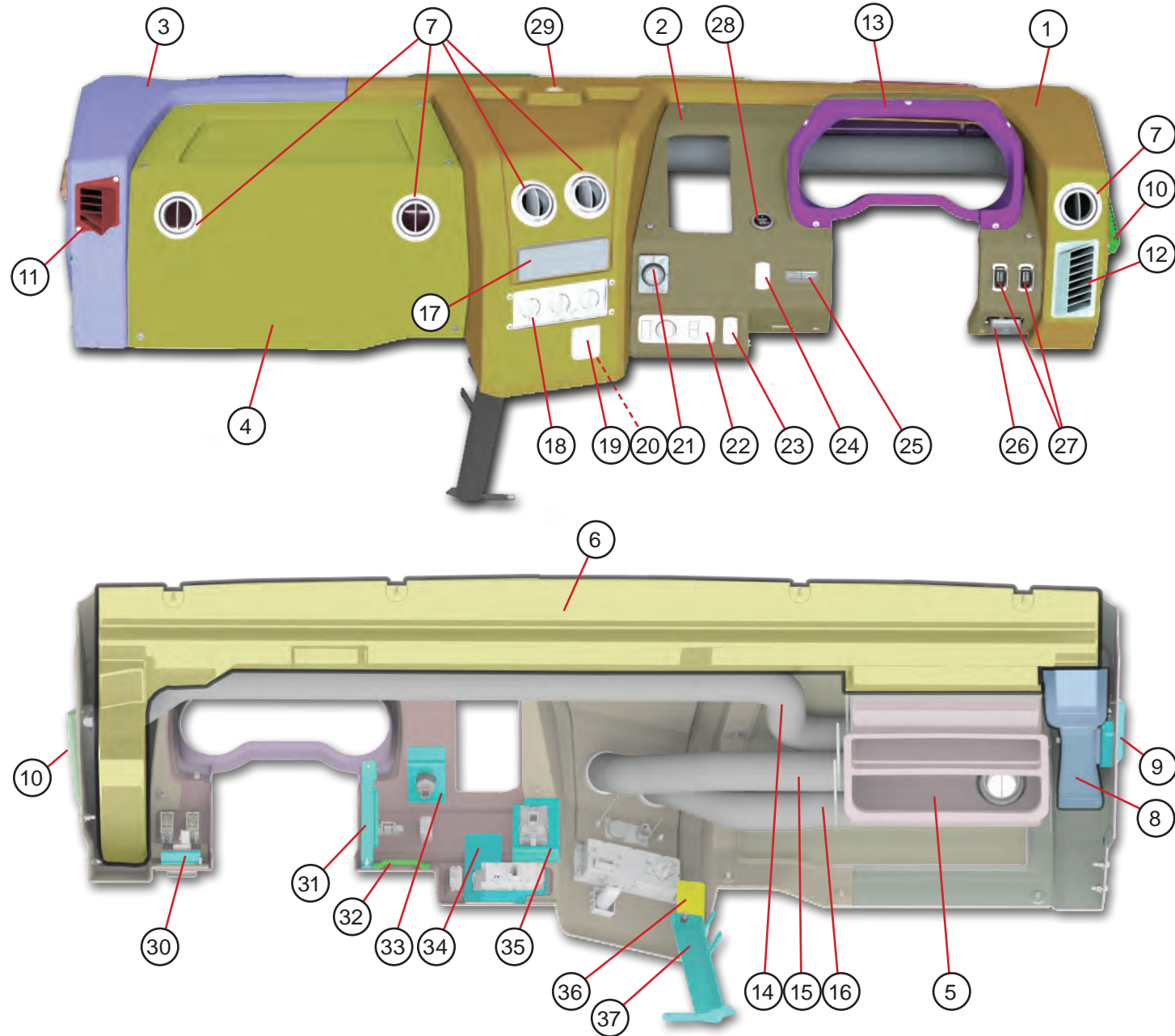


ITEM #	PART #	DESCRIPTION	QTY	UNIT
1	219024410	BRACKET HOSE EVAPORATOR AL .102X3X5.46	1	EA
2	209024403	STIFFENER STEP AL 450328X36.88	1	EA
3	209024404	STIFFENER MID AL 450039X36.88	1	EA
4	219024409	STIFFENER REAR AL 450039X36.88	1	EA
5	49013190	SPACER DRIVER SEAT 1.25OD X.97	1	EA
6	49013191	SPACER DRIVER SEAT AFT 1.25OD X1.47	1	EA
7	49013206	SPACER STEP AL .5X2.5X5	2	EA
8	229024401	COVER RCM BOTTOM	1	EA
9	49013912	COVER RCM TOP	1	EA
10	219024412	FLOOR CAB AL .102X41.11X62.13	1	EA
11	219024411	CAB TUNNEL AL .125X9.69X17.65	1	EA
12	219024201	STEP ASSEMBLY CAB LH (ITEMS 13-18)	1	EA
13	229066414	DOOR GUIDE LOWER 452002X30.63	2	EA
14	219024404	STEP TREAD AL .102X9.93X38.87 LH	1	EA
15	219024400	COVER DOOR DRAIN AL .102X3.18X4 LH	1	EA
16	219024402	STEP AL .102X16.65X55.05 LH	1	EA
17	219024407	GUSSET STEP AL .125X5.91X6.69 LH	1	EA
18	229024200	STEP NOSE WELDMENT AL 490129X38.81 LH	1	EA
19	219024202	STEP ASSEMBLY CAB RH	1	EA
20	219024405	STEP TREAD AL .102X10.92X38.87 RH	1	EA
21	219024401	COVER DOOR DRAIN AL.102X3.18X4 RH	1	EA
22	219024403	STEP AL .102X16.62X57.05 RH	1	EA
23	219024408	GUSSET STEP AL .125X5.91X6.69 RH	1	EA
24	229024201	STEP NOSE WELDMENT AL 490129X38.81 RH	1	EA
25	45400817	STEP TREAD ANTI SLIP FBG. LH	1	EA
25	45400818	STEP TREAD ANTI SLIP FBG. RH	1	EA



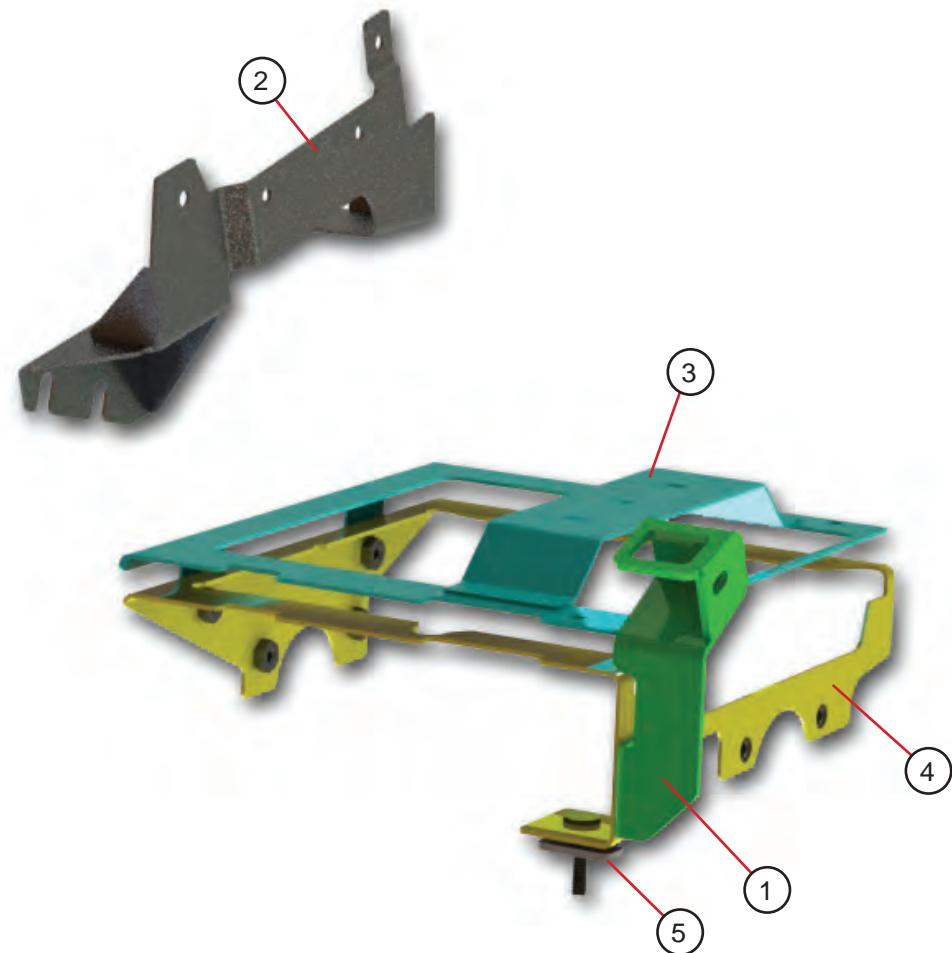
ITEM #	PART #	DESCRIPTION	QTY	UNIT
1	219017250	COWL CAB WELDMENT LH (W/ HOSE & CONNECTOR)	1	EA
2	219017251	COWL CAB WELDMENT RH (W/ HOSE & CONNECTOR)	1	EA
3	219017502	BRACKET COWL BRACE AL .102X1X2.39	3	EA
4	219017503	COWL CAB MID AL.07X5.95X58	1	EA
5	219017504	BRACKET BRAKE LINE AL .102X3.08X4.6	2	EA
6	219017506	BRACKET COWL BRACE AL .102X1X3.25	2	EA
7	49003170	DRAIN HOSE RUBBER .5IDX100FT	2	FT
8	49003171	SEAL HOOD REINFORCED	6	FT
9	1114700	HOSE CLAMP	2	EA
10	229017500	PLATE LAMP ADJUST AL .25X1.23X1.5	1	EA
11	229017400	SUPPORT BRACKET HOOD AL .102X2.84X5.88 LH	1	EA
12	229017401	SUPPORT BRACKET HOOD AL .102X2.84X5.88 RH	1	EA

ITEM #	PART #	DESCRIPTION	QTY	UNIT
1	49013252	MAT CAB FLOOR LH	1	EA
2	219019402	MAT TRIM FLOOR	1	EA
3	219019403	TRIM STEP ALD .125X2.73X37.65 RH	1	EA
4	229019405	TRIM ALD .08X4.08X16.38 RH	1	EA
5	229019406	TRIM TOE BOARD AL .08X3.05X42 LH	1	EA
6	49013254	MAT CAB FLOOR CENTER	1	EA
7	229019404	PLATE HEEL SCUFF ALD .08X12X14.99	1	EA
8	219019503	TRIM STEP ALD .125X2.73X37.65 LH	1	EA
9	229019403	PLATE ENGINE BOX INT ALD .125X3.13X5.26	1	EA
10	49013256	MAT CAB FLOOR RH	2	EA
11	229029500	COVER FUSE PANEL AL .07X6.25X17.78	6	EA
12	229029501	BRACKET FUSE COVER AL .102X1.89X4	1	EA

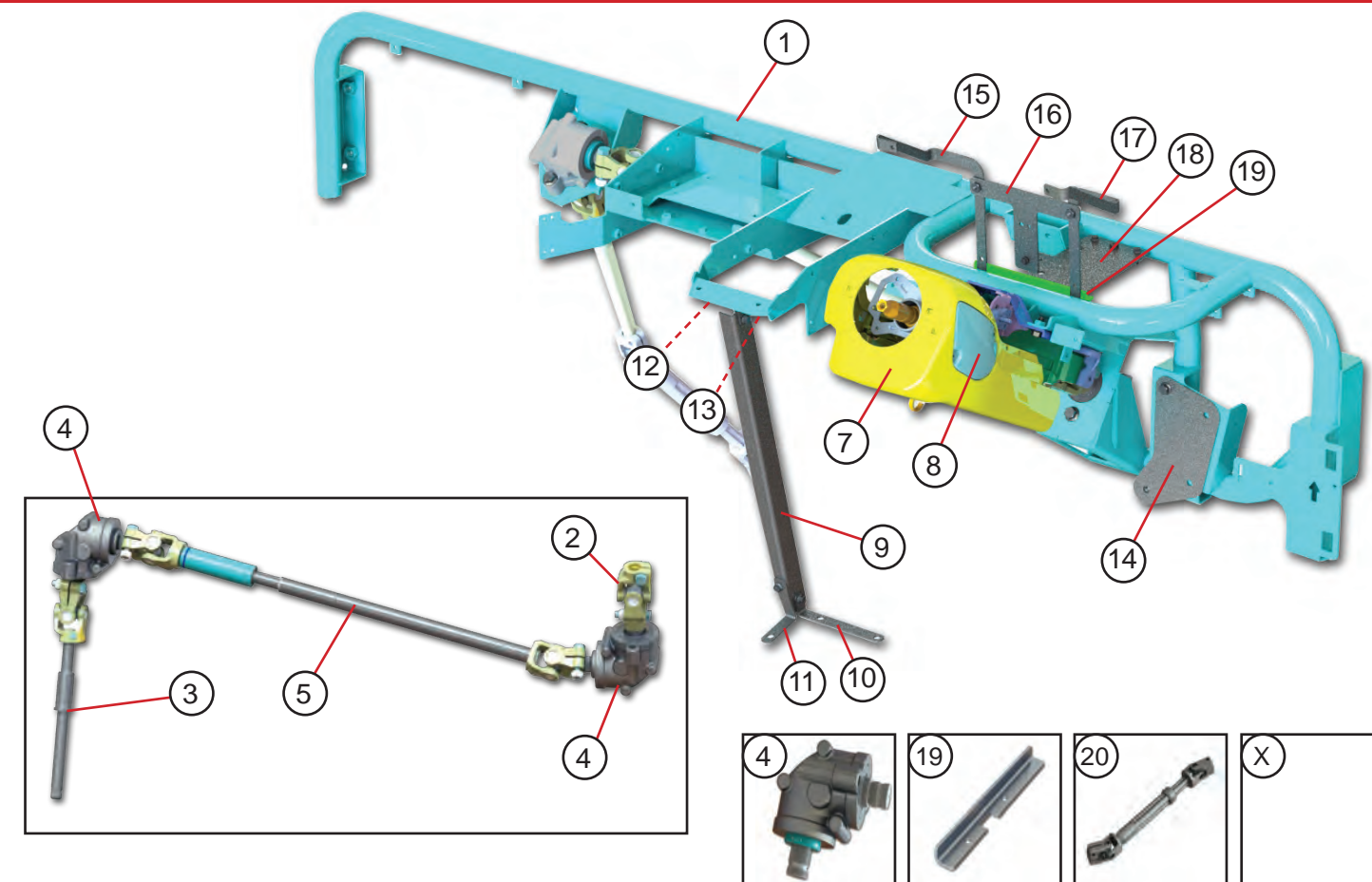


ITEM #	PART #	DESCRIPTION	QTY	UNIT
1	49013236	DASH RH	1	EA
2	49013237	INSET DASH RH	1	EA
3	49013239	DASH LH	1	EA
4	49013240	INSET DASH LH	1	EA
5	49013029	DUCT ASSEMBLY DASH TRSN	1	EA
6	49013030	DUCT ASSEMBLY DASH DEFROSTER	1	EA
7	49013399	LOUVER VENT	5	EA
8	49013242	AIR DUCT EXTENSION DEFROSTER LH	1	EA
9	49013243	VENT DASH DEFROSTER LH	1	EA
10	49013244	VENT DASH DEFROSTER RH	1	EA
11	49013031	VENT DASH DOOR LH	1	EA
12	49013032	VENT DASH DOOR RH	1	EA
13	49013238	BEZEL INSTRUMENT CLUSTER	1	EA
14	219027415	HOSE DEFR 2.5X64.5 NON H/D	1	EA
15	219027416	HOSE DEFR 2.5X21 NON H/D	1	EA
16	219027417	HOSE DEFR 2.5X18 NON H/D	1	EA
17	49003064	PANEL CONTROL I/P	1	EA
18	49013205	PANEL HVAC CONTROL	1	EA
19	CS9027017	COVER - POWER POINT USB	1	EA
20	CS9027016	POWER POINT USB 5V OUTPUT	1	EA
21	CS9027019	SWITCH 4WHEEL DRIVE	1	EA
22	CS9027014	SWITCH HEADLAMP	1	EA
23	49013180	SWITCH ROCKER SPLP	1	EA
24	49013181	SWITCH ROCKER DOOR LOCK/UNLOCK	1	EA
25	CS9027018	SWITCH HAZARD W/ TRACTION CONTROL	1	EA
26	CS9027015	LEVER PARKING BRAKE	1	EA
27	49013182	SWITCH ROCKER POWER WINDOW	2	EA
28	49013965	SWITCH ENGINE START/STOP	1	EA
29	CS9027013	SENSOR AMBIENT LAMP DASH F150	1	EA
30	219027418	BRACKET MOUNTING - BRAKE LEVER	1	EA
31	219027426	BRACE DASH SUPPORT AL .102X1.96X8.46	1	EA
32		BRACKET MOUNTING - OBD-II PORT	1	EA
33		BRACKET MOUNTING - START/STOP SWITCH	1	EA
34		BRACKET MOUNTING - HEADLAMP SWITCH	1	EA
35		BRACKET MOUNTING - DRIVE MODE SWITCH	1	EA
36	219027500	BRACE DASH	1	EA
37	229027405	BRACE DASH SUPPORT	1	EA
38	49013204	SHIFTER LEVER ASSEMBLY	1	EA

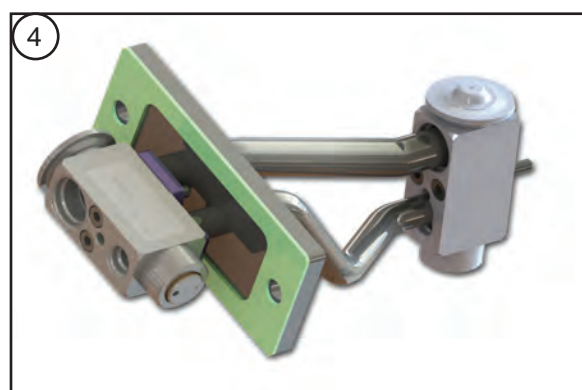
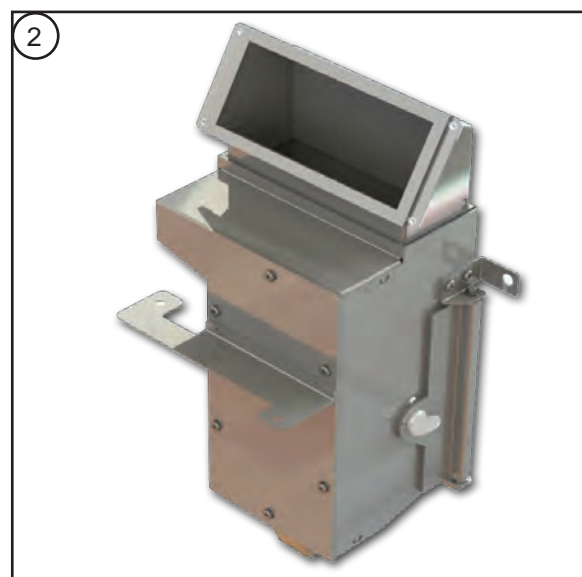
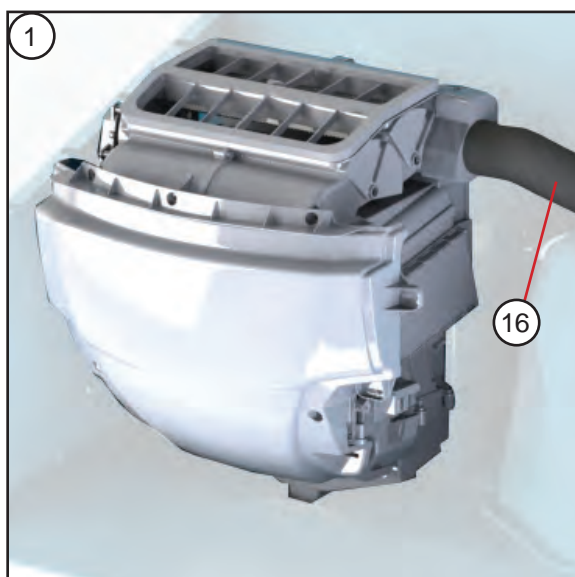
32-35 Are now part of the Dash Assembly



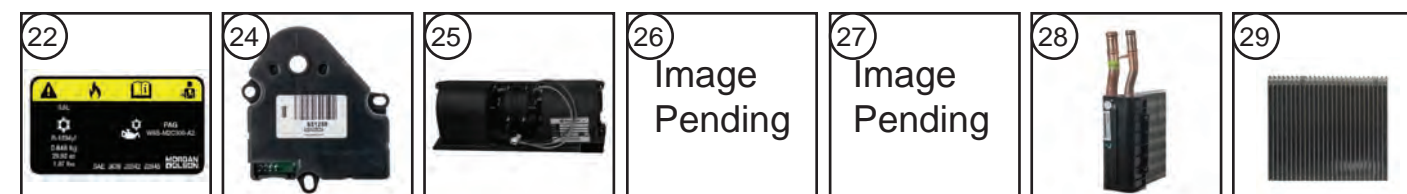
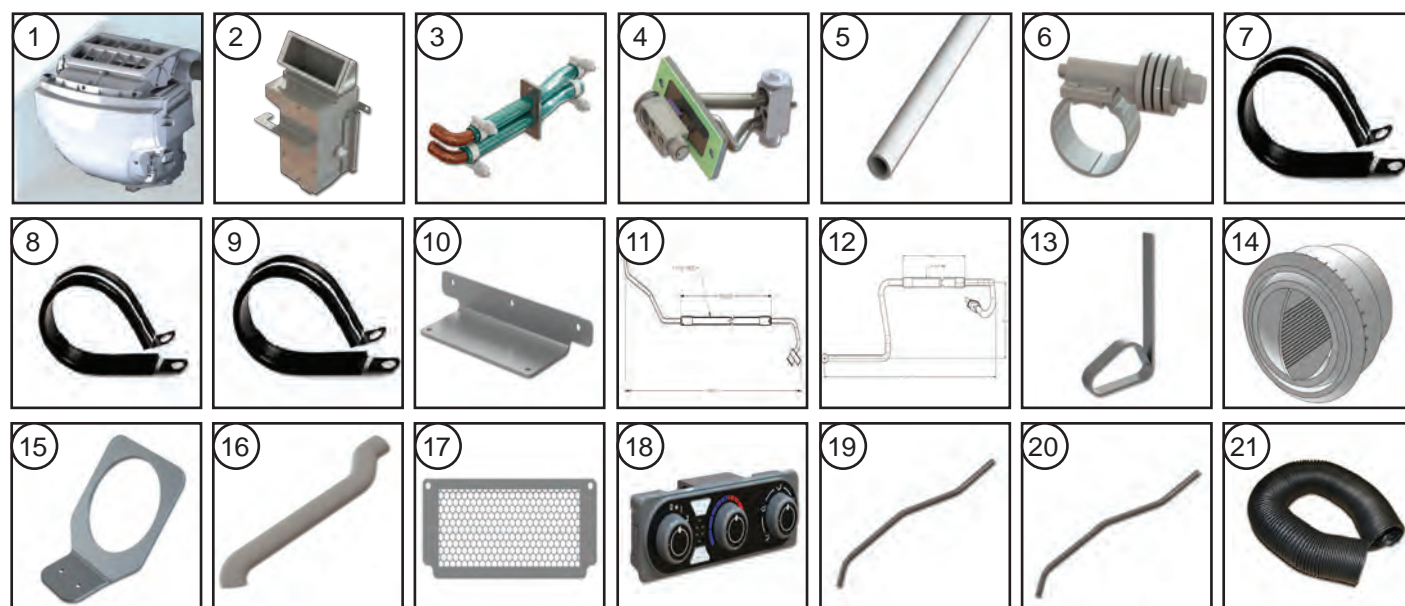
ITEM #	PART #	DESCRIPTION	QTY	UNIT
1	219082201	BRACKET PDB ASSEMBLY WLDMT LH F150	1	EA
2	219082202	BRACKET PDB ASSEMBLY WLDMT RH F150	1	EA
3	219082203	BRACKET PCM ASSEMBLY WLDMT UPPER F150	1	EA
4	219082204	BRACKET PCM ASSEMBLY WLDMT LOWER F150	1	EA
5	219082410	PLATE MOUNTING PCM	1	EA

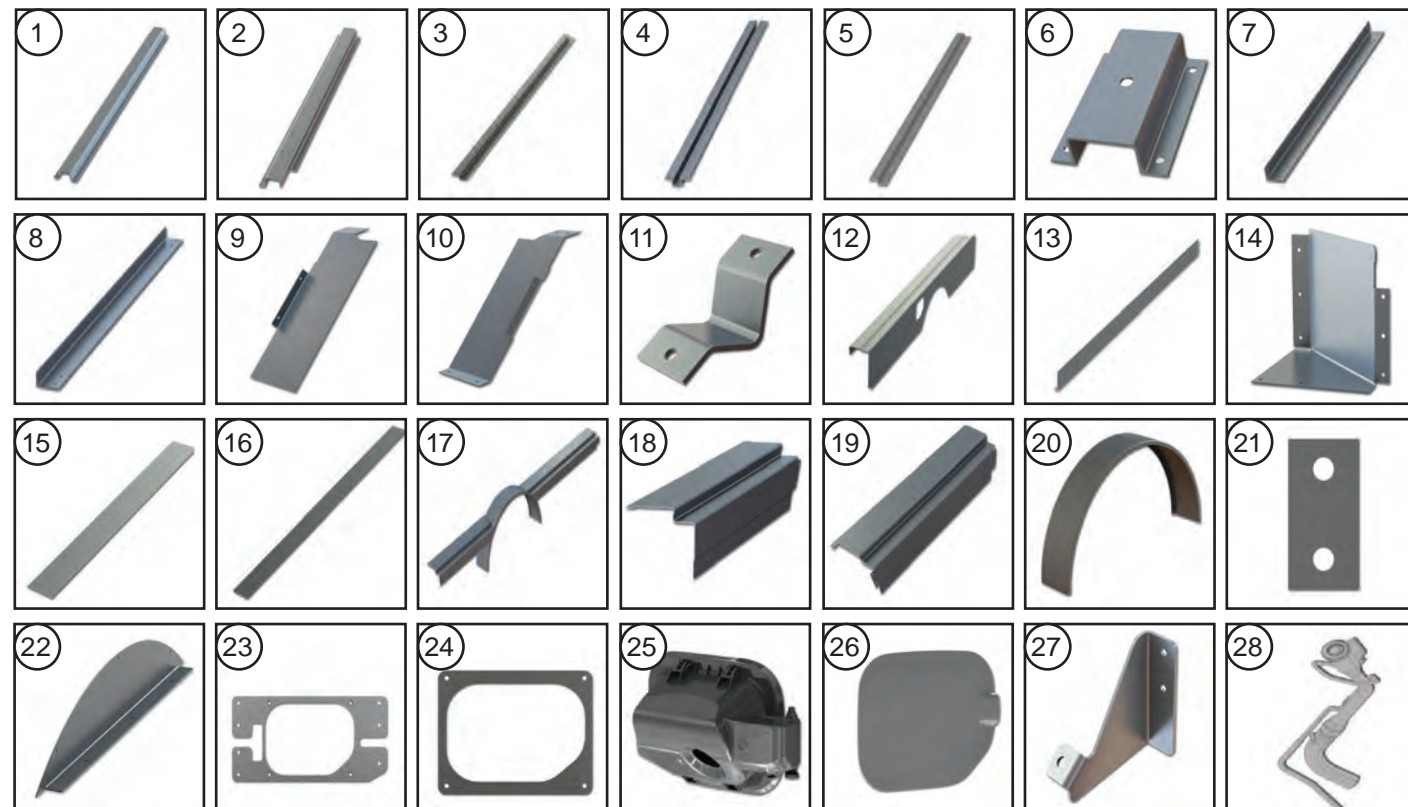
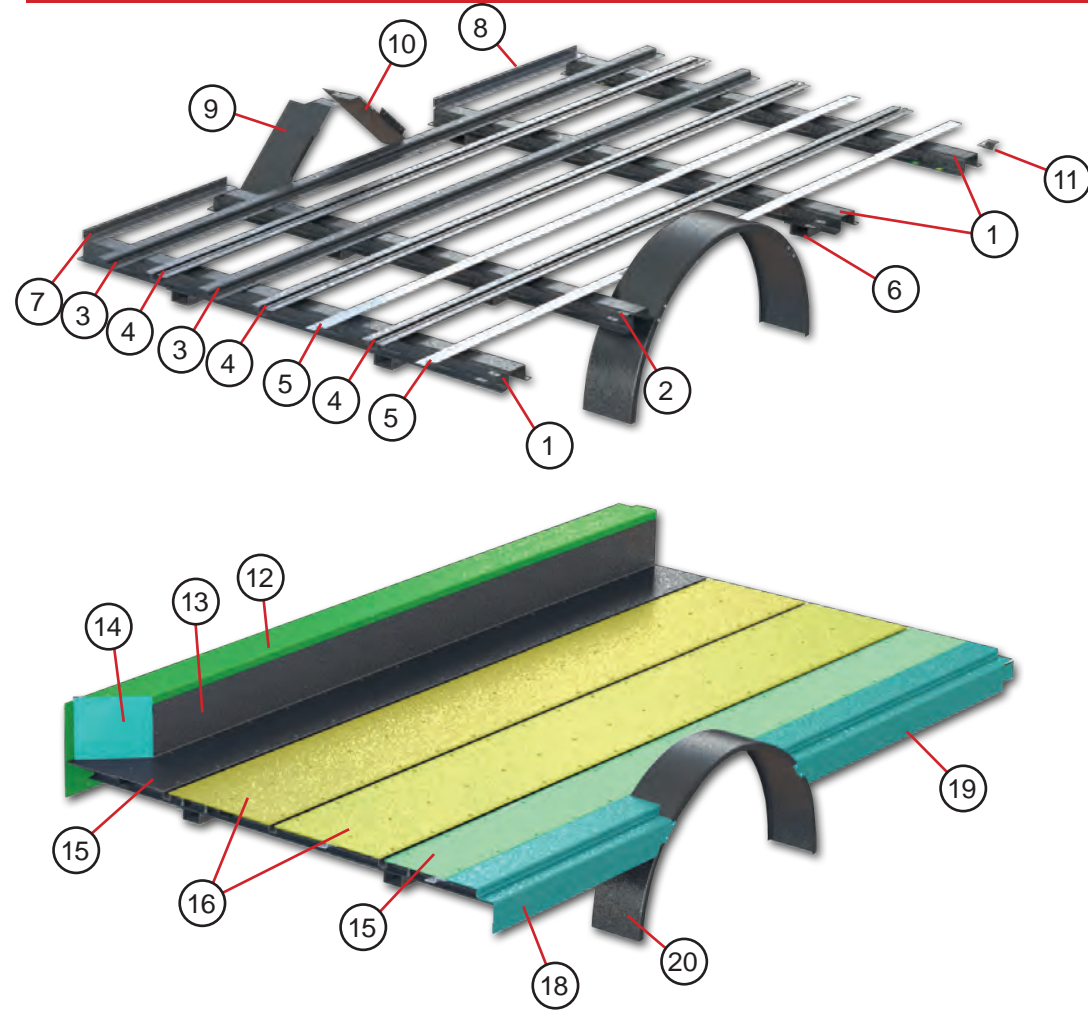


ITEM #	PART #	DESCRIPTION	QTY	UNIT
1	49013574	CROSS BAR ASSEMBLY CAB RHD F150	1	EA
2	49013413	STEERING U/JOINT	2	EA
3	49013411	SHAFT JOINT ASSEMBLY	1	EA
4	49013414	GEAR BOX RH	2	EA
5	49013412	SHAFT CROSS BAR ASSEMBLY	1	EA
NS	49003165	STEERING WHEEL	1	EA
7	CS9027003	COVER STEERING COLUMN	1	EA
8	49013249	CLOSURE COVER - STEERING COLUMN	1	EA
9	229027400	CHANNEL SUPPORT STL 12GAX2.08X21	1	EA
10	229027401	BRACKET LOWER STL12GAX.86X7.58 RH	1	EA
11	229027402	BRACKET LOWER STL 12GAX.86X2.55 LH	1	EA
12	229027403	BRACKET UPPER STL 12GAX.81X3.5 LH	1	EA
13	229027404	BRACKET UPPER STL12GAX1.06X3.75 RH	1	EA
14	219027400	PLATE MOUNTING ACL PED	1	EA
15	219027411	BRACKET MOUNTING I/P UPPER LH	1	EA
16	219027425	BRACKET RELAY	1	EA
17	219027408	BRACKET MOUNTING I/P UPPER RH	1	EA
18	219027402	BRACKET MOUNTING TCCM C/BAR	1	EA
19	49013650	SUPPORT ANGLE	1	EA
20	CS9027002	STEERING SHAFT LOWER	1	EA

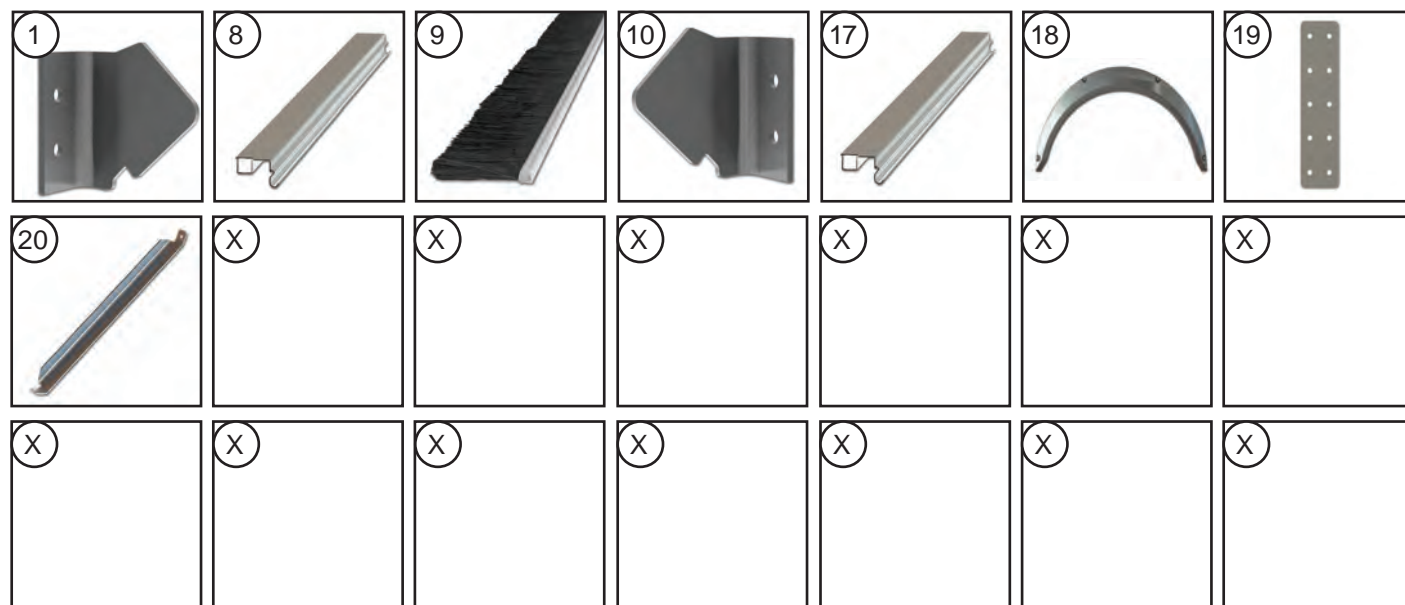
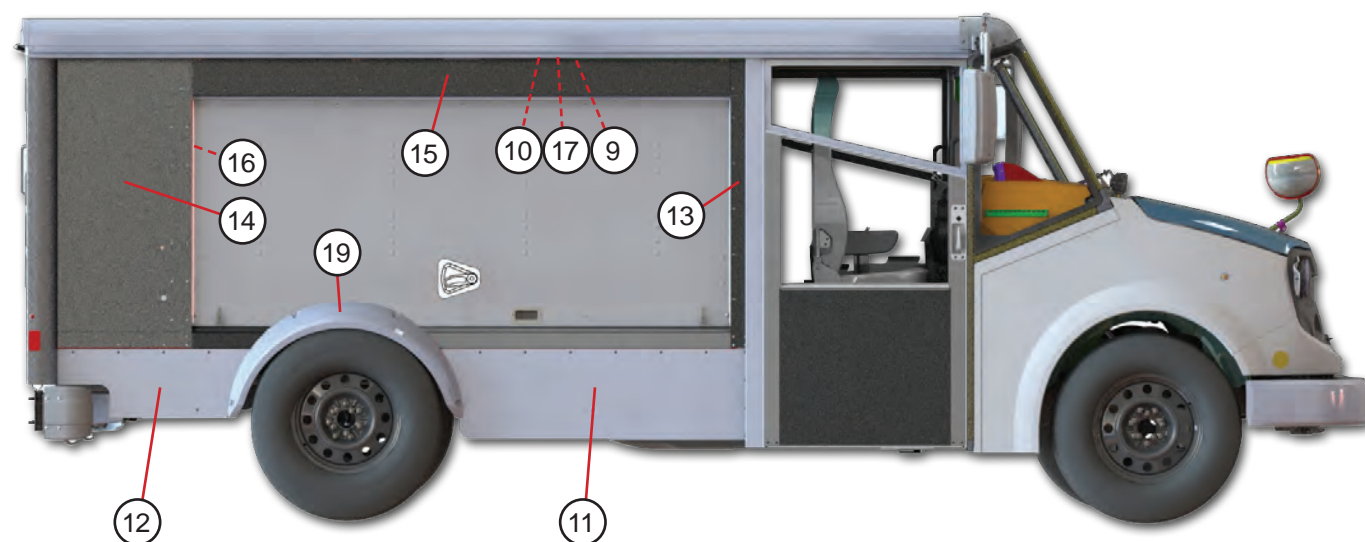
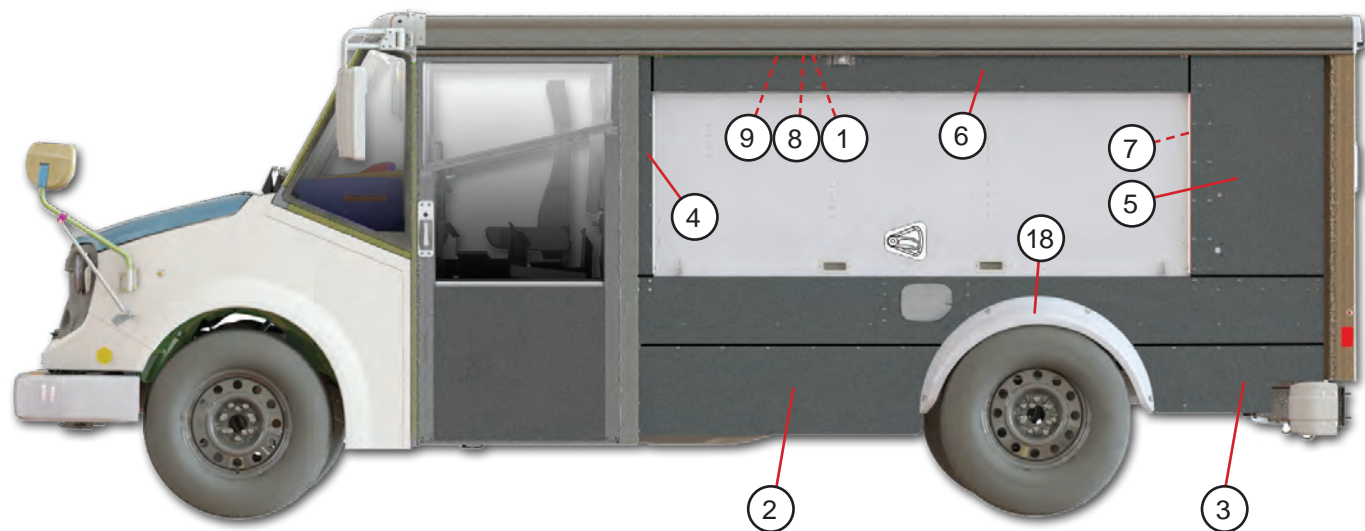


ITEM #	PART #	DESCRIPTION	QTY	UNIT
1	49003020	HVAC ASSEMBLY	1	EA
2	49013395	FRESH AIR INTAKE KIT	1	EA
3	49013397	HEATER HOSE KIT	1	EA
4	49013398	PIPE KIT A/C (VALVES, GASKET, PIPES)	1	EA
5	219080403	HOSE HEATER HI TEMP .75IDXFT	8	FT
6	46021109	CLAMP CON TORQ .62-.75ID HOSE	6	EA
7	46021019	CLAMP STEEL LOOP 1.75" ID	5	EA
8	46021305	CLAMP LOOM .75 OD STL W/RUB LIN	1	EA
9	46021306	CLAMP LOOM 1.275 OD STL W/RUB LIN	4	EA
10	219080400	BRACKET A/C	1	EA
11	49013587	HOSE ASSEMBLY A/C HI PRESSURE	1	EA
12	49013588	HOSE ASSEMBLY A/C LO PRESSURE	1	EA
13	46026333	TYWRAP 3.25 BUND 12.1L	3	EA
14	49013399	LOUVER VENT	6	EA
15	219080405	BRACKET HEAT DUMP LOUVER	1	EA
16	219080406	HOSE HEATER	1	EA
17	49013396	GRILL - AIR INTAKE	1	EA
18	49013205	PANEL - HVAC CONTROL	1	EA
19	219080403	HOSE - HEATER HI PRESSURE x36"	1	EA
20	219080404	HOSE - HEATER LO PRESSURE x36"	1	EA
21	555001538	HOSE HEATER 2.5"	2.41	FT
22	49013674	LABEL A/C CHARGE WEIGHT 1.87LBS	1	EA
NS	49003186	WIRING HARNESS	1	EA
24	49003173	ACTUATOR 120° CCW - FRESH AIR	1	EA
24	49003183	ACTUATOR 217° CCW - BLEND	1	EA
24	49003179	ACTUATOR 280° CCW - MODE SELECT	1	EA
25	49003181	DUAL BLOWER ASSEMBLY	1	EA
26	49003180	TEMP SENSOR	1	EA
27	49003178	RESISTOR 3-SPEED 12V	1	EA
28	49003176	HEATER COIL ASSEMBLY	1	EA
29	49003177	EVAPORATOR COIL ASSEMBLY	1	EA

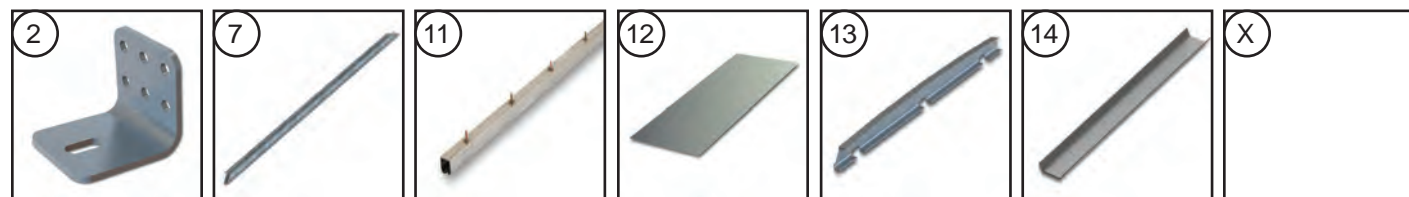
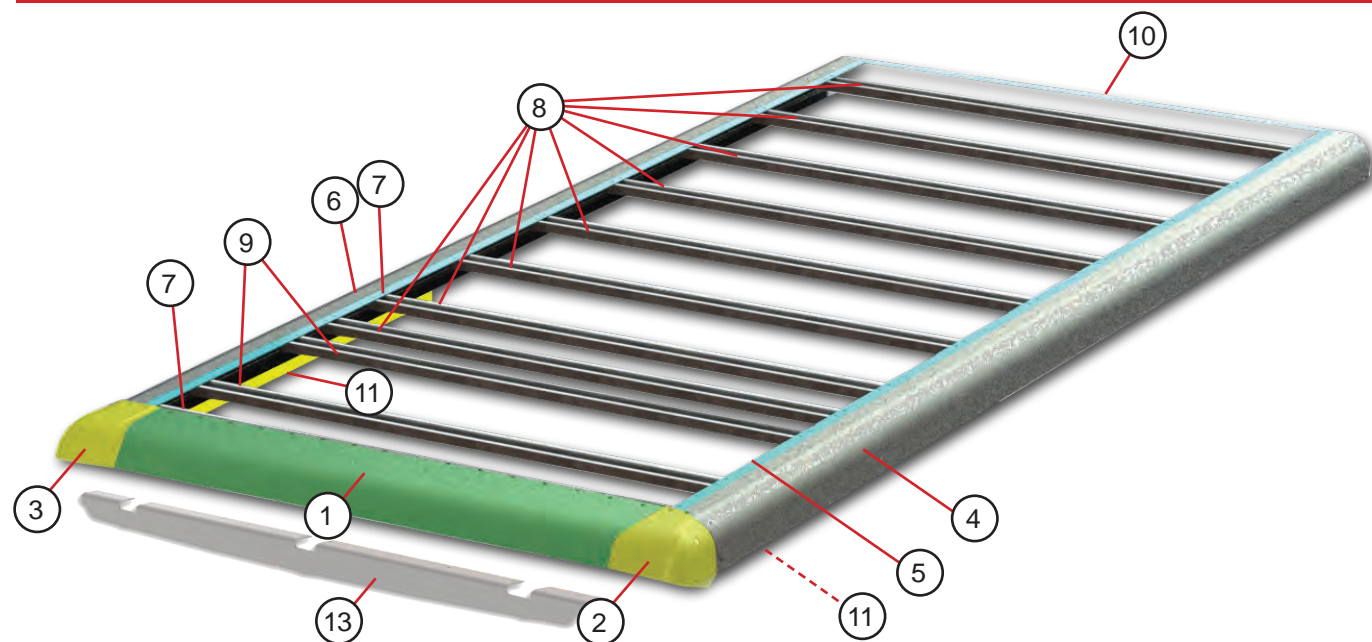




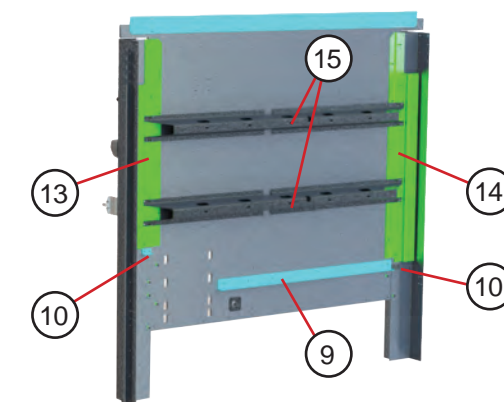
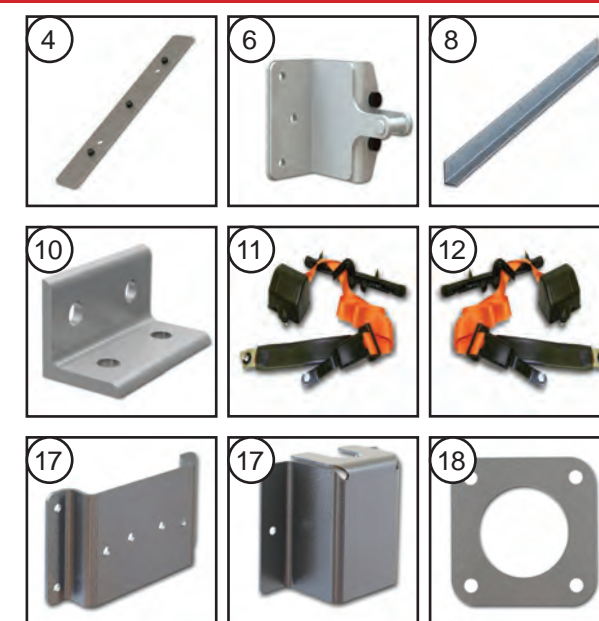
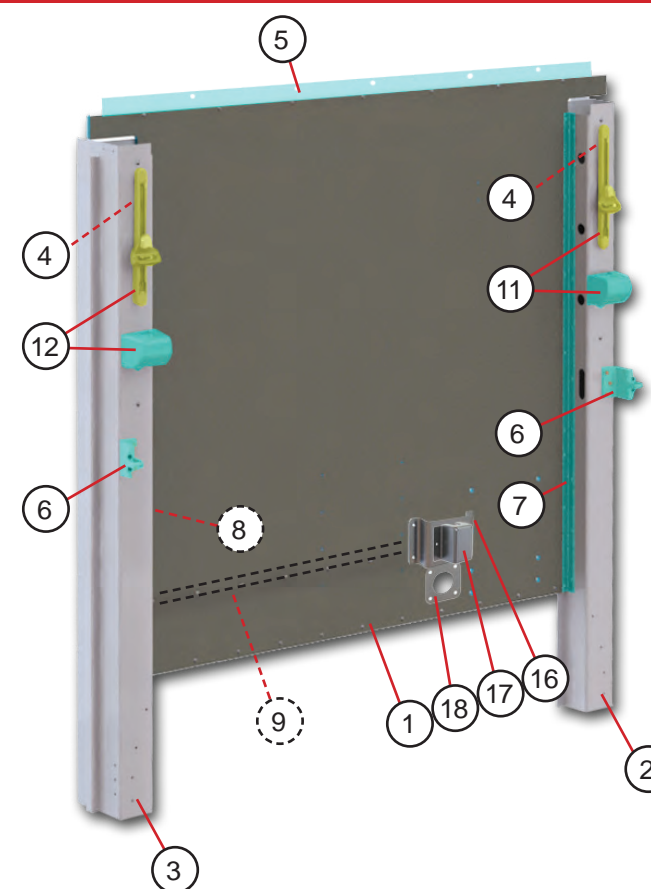
ITEM #	PART #	DESCRIPTION	QTY	UNIT
1	219030400	STIFFENER FLOOR SUPPORT AL .188X9.54X70.13	3	EA
2	219030422	STIFFENER FLOOR SUPPORT AL .188X9.54X70.13	1	EA
3	219030404	SUPPORT FLOOR ZEE AL .102X3.77X124.13 LH	2	EA
4	219030401	FLOOR TRACK AL 490158X124.13	3	EA
5	219030405	SUPPORT FLOOR ZEE AL .102X3.77X124.13 RH	2	EA
6	209030404	SUPPORT FLOOR BODY MOUNTING AL 450039X6.5	6	EA
7	219030411	ANGLE SIDE AL 450188X29	1	EA
8	219030412	ANGLE SIDE AL 450188X35.38	1	EA
9	219030423	SPLASH PAN FUEL FILL AL .102X8.17X20.62	1	EA
10	219030424	SPLASH PAN REAR AL .102X8.17X20.03	1	EA
11	219030418	COVER FLOOR DRAIN AL .102X1.5X3.81	6	EA
12	219030413	SIDE MID AL .102X23.23X124.38 LH	1	EA
13	219030414	SUPPORT D/S AL .102X8.85X115.38	1	EA
14	219030415	END PLATE REAR AL .102X12.91X15.86	1	EA
15	219030406	PANEL FLOOR OUTER AL .102X9.06X124.13	2	EA
16	219030407	PANEL FLOOR AL .102X16.38X124.13	2	EA
17	219030200	FENDER SIDE WELDMENT RH (ITEMS 18,19,20)	1	EA
18	219030419	FENDER SIDE REAR AL .102X13.66X40.5	1	EA
19	219030420	FENDER SIDE FRONT AL .102X13.66X59.63	1	EA
20	49013368	FENDER AL 42DIA	1	EA
21	219030402	SPACER FLOOR SUPPORT AL .102X1.31X2.5	8	EA
22	219030421	COVER FENDER AL .102X6.01X26.69	1	EA
23	219030416	PLATE FUEL FILL AL .25X7.75X16.25	1	EA
24	219030417	PLATE FUEL FILL AL .055X7.5X9.5	1	EA
25	219030201	HOUSING FUEL FILL ASSEMBLY	1	EA
26	CS9007005	DOOR FUEL FILL	1	EA
27	219012400	BRACKET FUEL FILL	1	EA
28	49013136	NECK - FUEL FILL	1	EA



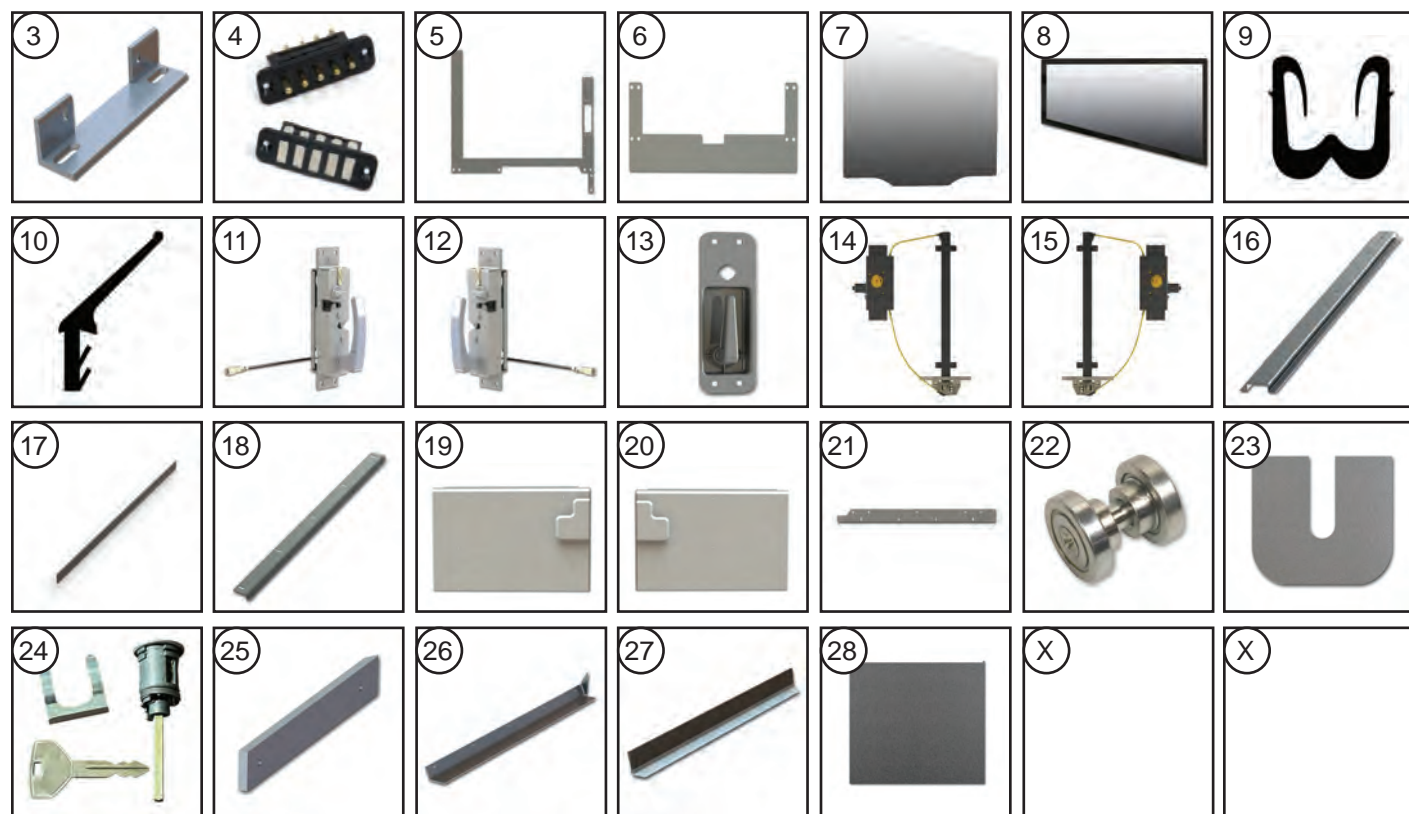
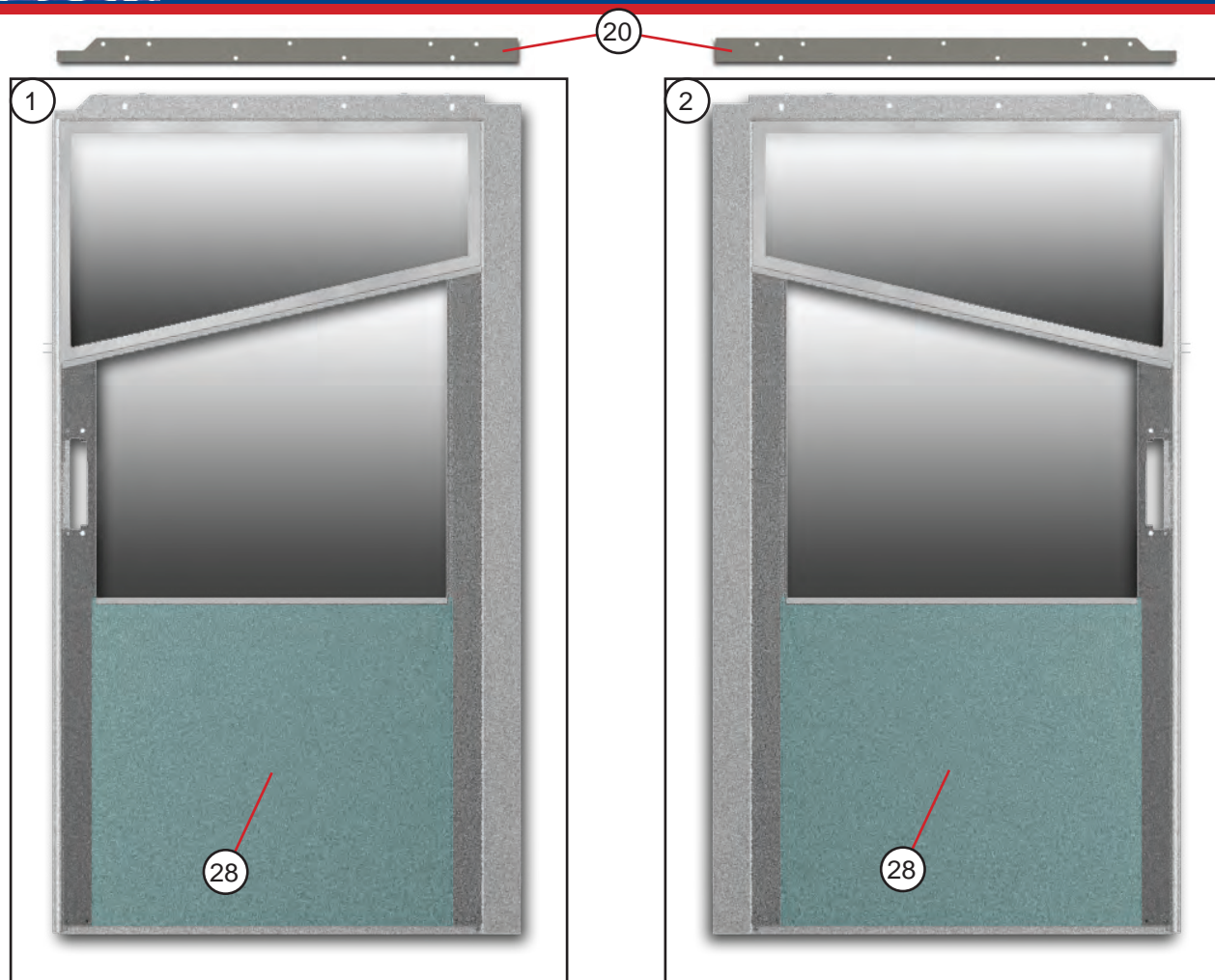
ITEM #	PART #	DESCRIPTION	QTY	UNIT
1	209066431	FILLER DOOR TRACK AL .102X2.04X2.9 LH	1	EA
2	219045406	SIDE LOWER FORWARD AL .102X16X55.85 LH	1	EA
3	219045407	SIDE LOWER REAR AL .102X12.11X36.82 LH	1	EA
4	229046400	B POST AL 490137X69.25 LH	1	EA
5	219046411	SIDE UPPER REAR AL .102X25.46X44.16 LH	1	EA
6	229046502	SIDE UPPER RUD AL .102X8.55X103.28 LH	1	EA
7	219046415	ANGLE SIDE RUD AL 490150X40.88 LH	1	EA
8	219046417	TRACK DOOR W/DRIP RAIL AL 490124X165.75 LH	1	EA
9	47362202	SEAL BRUSH TYPE C 1.5X71	2	EA
10	209066432	FILLER DOOR TRACK AL .102X2.04X2.9 RH	1	EA
11	219045408	SIDE LOWER FORWARD AL .102X16X55.85 RH	1	EA
12	219045409	SIDE LOWER REAR AL .102X12.11X36.82 RH	1	EA
13	229046401	B POST AL 490137X69.25 RH	1	EA
14	219046412	SIDE UPPER REAR AL .102X25.46X53.32 RH	1	EA
15	229046503	SIDE UPPER RUD AL .102X8.55X103.28 RH	1	EA
16	219046416	ANGLE SIDE RUD AL 490150X49.38 RH	1	EA
17	219046418	TRACK DOOR W/DRIP RAIL AL 490124X165.75 RH	1	EA
18	49013387	FENDER REAR ABS 18"	1	EA
18	49013388	FENDER REAR ABS 18"	1	EA
19	229046504	BRACE SIDE AL .102X2.21X8.32	2	EA
20	219037400	SIDE GUSSET - STRAP	4	EA



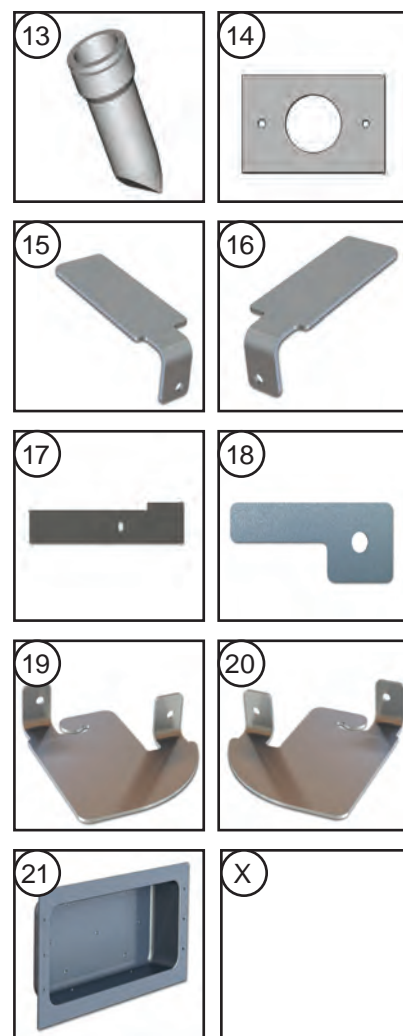
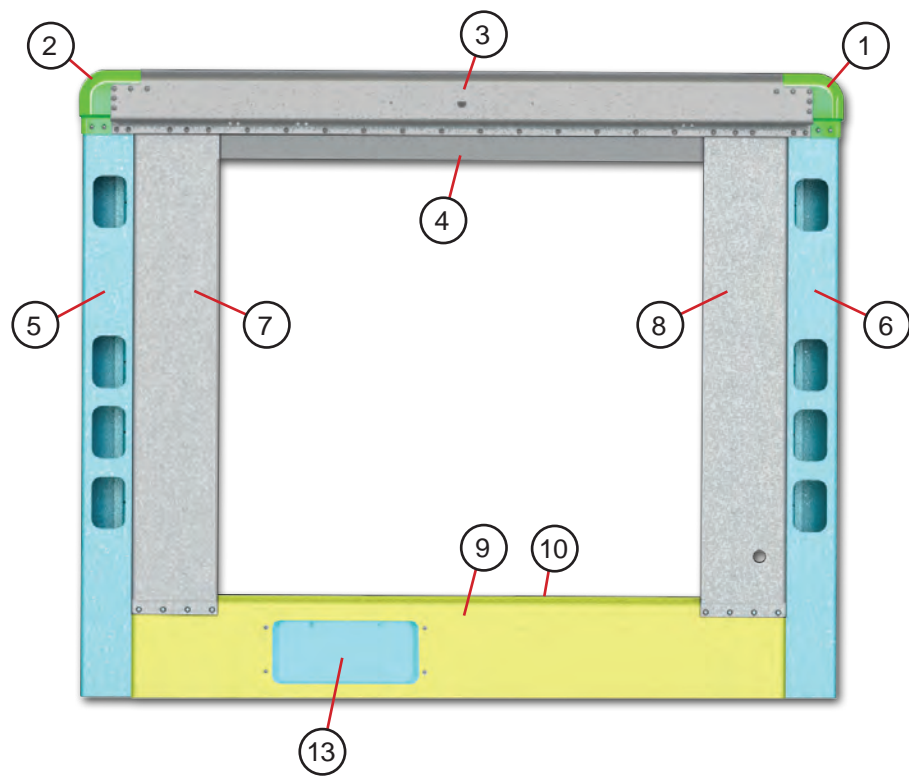
ITEM #	PART #	DESCRIPTION	QTY	UNIT
1	49013207	CAP FRONT	1	EA
2	49013576	CORNER CASTING ROOF FRONT AL LH	1	EA
3	49013577	CORNER CASTING ROOF FRONT AL RH	1	EA
4	229010503	RAIL ROOF AL 490123X165.75 LH	1	EA
5	209010410	INTERLOCK ROOF RAIL AL 450140X165.75 LH	1	EA
6	229010504	RAIL ROOF AL 490123X165.75 RH	1	EA
7	209010411	INTERLOCK ROOF RAIL AL 450140X165.75 RH	1	EA
8	49013184	ROOF BOW STEEL X72.75	8	EA
9	219010413	ROOF BOW STEEL 49013184X72.75	2	EA
10	209010409	INTERLOCK ROOF @ TRANSOM AL 450140X65.88	1	EA
11	209066204	DOOR TRACK ASSEMBLY UPPER	2	EA
12	209010412	SKIN ROOF AL .037X67.88X165.75	1	EA
13	229010252	ROOF BOW WELDMENT	1	EA
14	229010502	BRACKET ROOF AL .125X5.19X72.5	1	EA



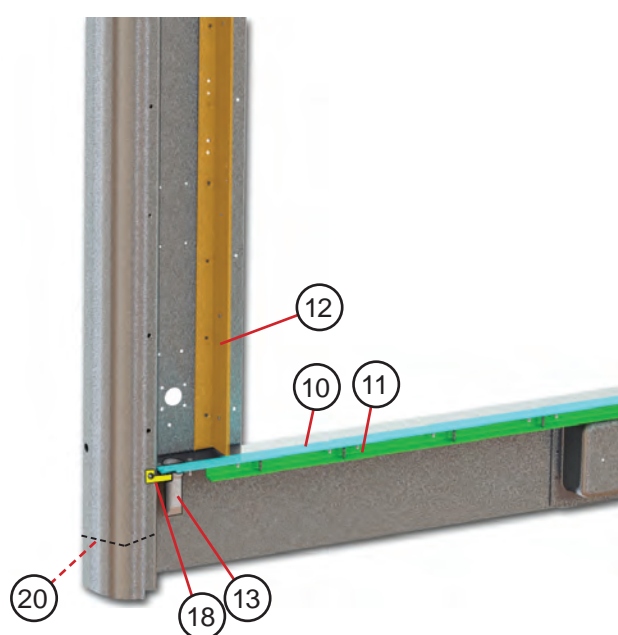
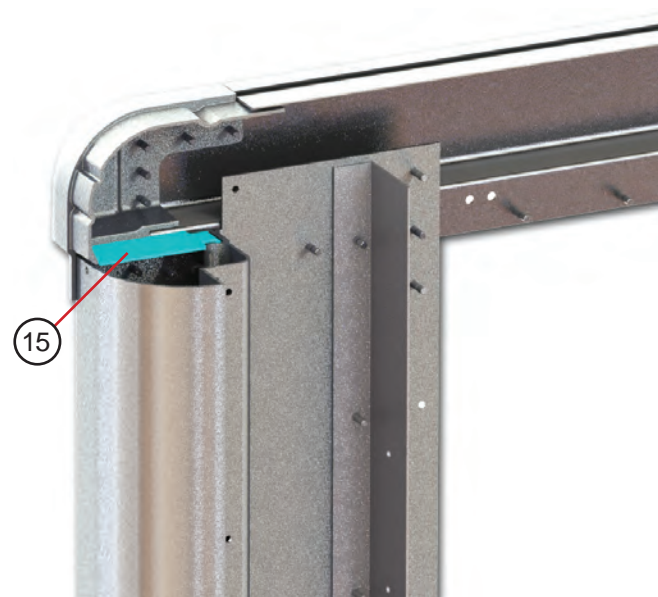
ITEM #	PART #	DESCRIPTION	QTY	UNIT
1	49013376	PANEL BULKHEAD TRANSORE	1	EA
2	229046400	POST B AL 490128X69.25 LH	1	EA
3	229046401	POST B AL 490128X69.25 RH	1	EA
4	209005201	BRACKET WELDEMT S/BELT MOUNTING	2	EA
5	219070402	BRACE BULKHEAD ROOF AL .07X2.25X70	1	EA
6	49013128	STRIKER DOOR	2	EA
7	229070501	ANGLE BULKHEAD AL 450185X54.69 LH	1	EA
8	229070500	ANGLE BULKHEAD AL 450185X54.69 RH	1	EA
9	219030408	ANGLE CARGO FLOOR AL 450188X44.06	1	EA
10	219030409	ANGLE CARGO FLOOR AL 450185X2	4	EA
11	49013531	SEAT BELT 7IN ADJUSTABLE D 126IN DRIVER	1	EA
12	49013558	SEAT BELT 7IN ADJUSTABLE D 126IN JUMP SEAT	1	EA
13	229070503	BRACKET MOUNTING AL .102X7.81X48 RH	1	EA
14	229070504	BRACKET MOUNTING AL .102X7.81X39.5 LH	1	EA
15	229105407	STIFFENER BULKHEAD HORIZONTAL	2	EA
16	229084400	BRACKET SWITCH AL .125X3.54X7.93	1	EA
17	229084401	COVER SWITCH INERTIA AL .07X4.84X7.23	1	EA
18	229070605	PLATE GROMMET AL .125X2.75X2.75	1	EA

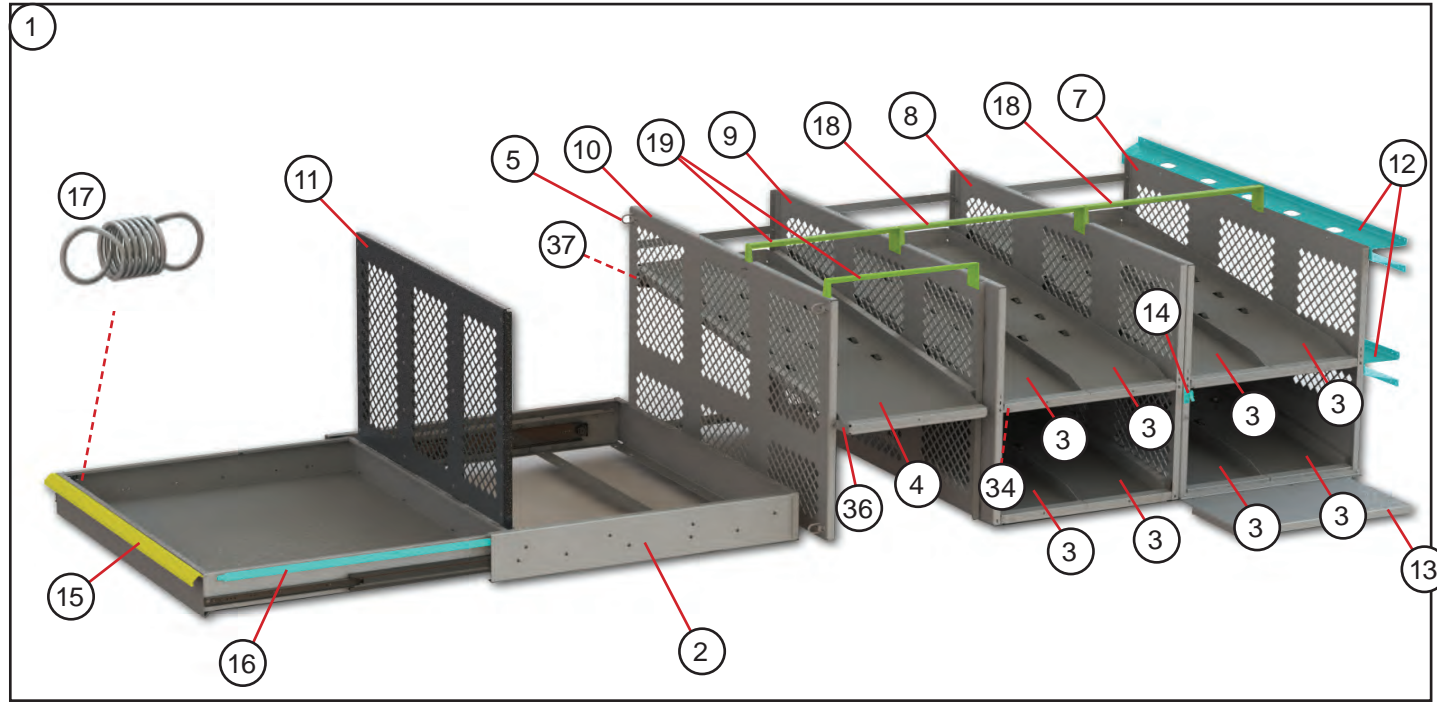


ITEM #	PART #	DESCRIPTION	QTY	UNIT
1	249066200	SIDE DOOR ASSEMBLY LH	1	EA
2	249066201	SIDE DOOR ASSEMBLY RH	1	EA
3	219066603	BRACKET ELECTRICAL CONTACT AL 450185X4.45	1	EA
4	49003126	ELECTRICAL CONTACTS 5 PIN - SET (POGO)	1	EA
5	219066600	SKIN DOOR INNER AL .102X35.76X36.05	1	EA
6	219066604	SKIN DOOR INNER AL .102X13.83X35.76	1	EA
7	49003149	GLASS WINDOW DOOR LOWER LH	1	EA
7	49003150	GLASS WINDOW DOOR LOWER RH	1	EA
8	49003122	GLASS WINDOW DOOR UPPER LH	1	EA
8	49003123	GLASS WINDOW DOOR UPPER RH	1	EA
9	49003130	SEAL RUBBER WINDOW TRACK	1.39	FT
10	49003129	SEAL RUBBER WINDOW	2	EA
11	49013023	LATCH DOOR MECHINISM LH	1	EA
12	49013024	LATCH DOOR MECHINISM RH	1	EA
13	49013027	HANDLE DOOR LH/RH	2	EA
14	49003152	REGULATOR WINDOW LH	1	EA
15	49003153	REGULATOR WINDOW RH	1	EA
16	219066602	SUPPORT BRACKET WINDOW REGULATOR (3 PER DOOR)	6	EA
17	229066414	DOOR GUIDE LOWER AL 490094X39.44 LH/RH	2	EA
18	229066413	DOOR GUIDE BRACKET AL .102X2.6X30.63	2	EA
19	49003154	PANEL DOOR INNER LH	1	EA
20	49003155	PANEL DOOR INNER RH	1	EA
21	229066417	PLATE MOUNTING DOOR	2	EA
22	47006595	BEARING (1 PAIR) (5 PAIR PER SIDE DOOR)	10	EA
23	229066415	SHIM - DOOR GUIDE AL .07X1.33X1.5	10	EA
23	229066416	SHIM - DOOR GUIDE AL .125X1.33X1.5	10	EA
24	PENDING	LOCK CYLINDER (SEE PAGE 48 KEYLESS SYSTEM)	-	-
25	229066504	DOOR GUIDE NYLON 1.5 x 11	2	EA
26	229066502	BRACKET - BRUSH SEAL AL .102X3.27X39.23	2	EA
27	229066503	BRUSH SEAL 40"	2	EA
28	219066601	SKIN DOOR OUTER LH/RH	2	EA

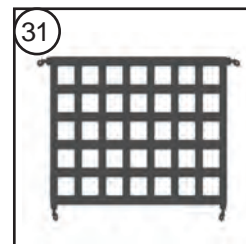
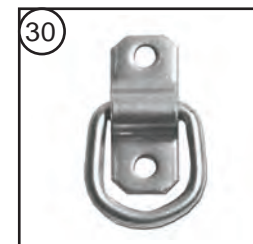
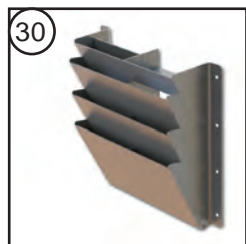
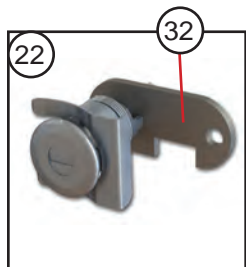
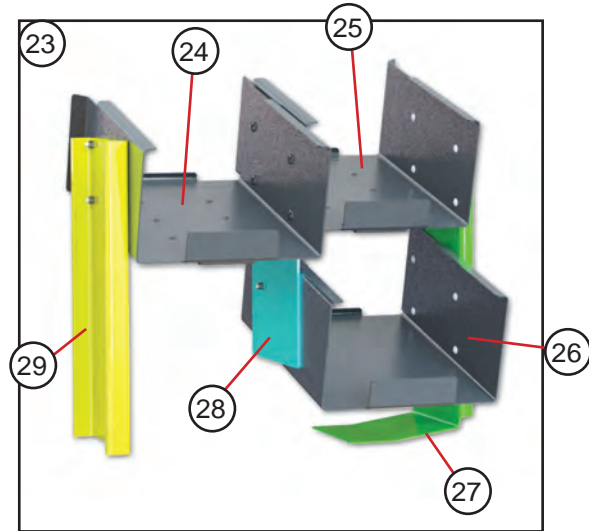
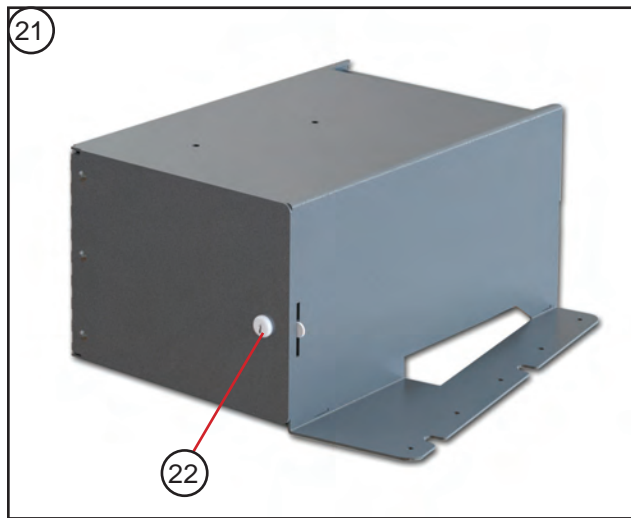


ITEM #	PART #	DESCRIPTION	QTY	UNIT
1	49013103	CORNER CASTING AL ROOF REAR RH	1	EA
2	49013102	CORNER CASTING AL ROOF REAR LH	1	EA
3	229050400	TRANSOM REAR RUD AL 490125X71.94	1	EA
4	209050405	PLATE TRANSOM REAR RUD AL .125X6X52.98	1	EA
5	219050401	POST CORNER REAR AL 490110X59.63 LH	1	EA
6	219050402	POST CORNER REAR AL 490110X59.63 RH	1	EA
7	219050403	PANEL BACK AL .125X9.79X52.84 LH	1	EA
8	219050404	PANEL BACK AL .125X9.79X52.84 RH	1	EA
9	219050405	SILL REAR PLATE AL .188X13.36X69.45	1	EA
10	219050408	SILL REAR RUD AL 490118X67.13	1	EA
11	219050407	SUPPORT FLOOR ZEE AL .102X2.77X59.38	1	EA
12	229050501	ANGLE BACK RUD RH	1	EA
NS	229050500	ANGLE BACK RUD LH	1	EA
13	47006607	VALVE DRAIN 1-1/2 X 4 1/2	2	EA
14	229050401	PLATE MOUNTING VALVE AL .102X2.5X3.75	2	EA
15	209050408	PLATE BACK CAP AL .102X1.69X6.05 LH	1	EA
16	209050409	PLATE BACK CAP AL .102X1.69X6.05 RH	1	EA
17	219050409	PLATE COVER REAR AL .102X1.15X7.69 LH	1	EA
18	219050410	PLATE COVER REAR AL .07X1X2.5 RH	1	EA
19	209050412	PLATE BACK CAP AL LH (INSIDE CORNER POST)	1	EA
20	209050413	PLATE BACK CAP AL RH (INSIDE CORNER POST)	1	EA
21	219092400	BOX LICENSE PLATE RECESSED SILL REAR	1	EA

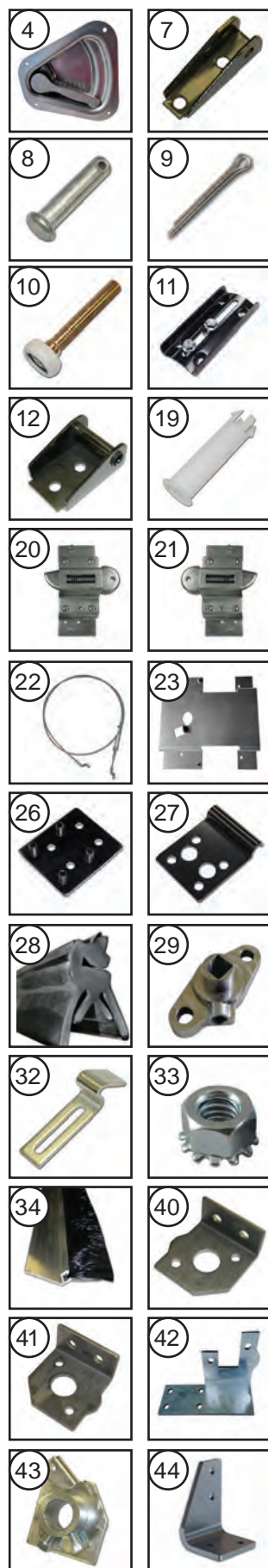
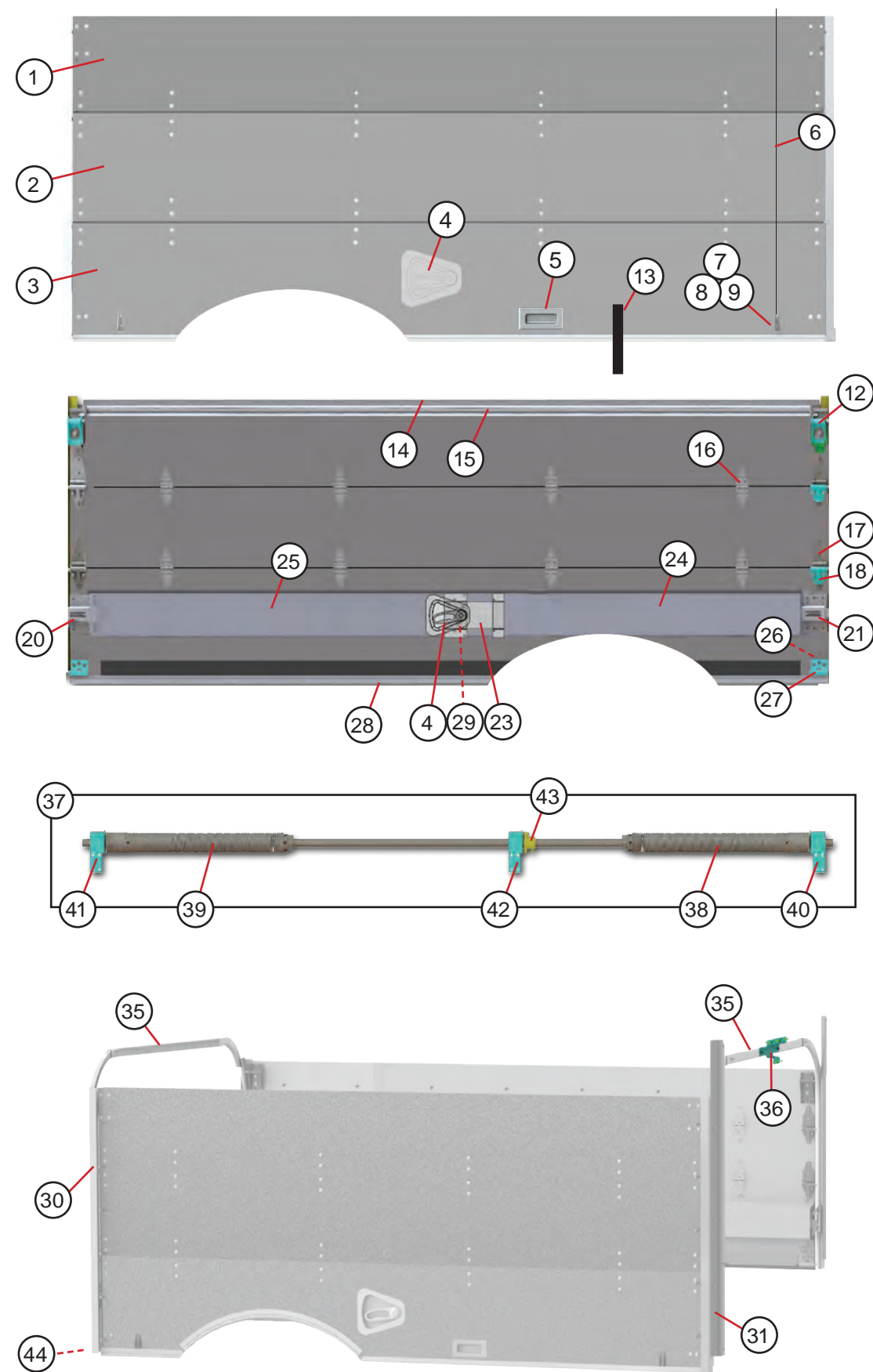




ITEM #	PART #	DESCRIPTION	QTY	UNIT
1	49013403	SHELF CARGO SYSTEM - COMPLETE INSTALLATION	1	EA
2	49014043	REAR DRAWER ASSEMBLY W/ PARTITION	1	EA
3	49014044	ROLLER TRAY ASSEMBLY	8	EA
4	49014045	ROLLER TRAY ASSEMBLY	1	EA
5	49014046	TIE DOWN LOOP	4	EA
7	49014047	UPRIGHT ASSEMBLY RH	1	EA
8	49014048	UPRIGHT ASSEMBLY CENTER	1	EA
9	49014049	UPRIGHT ASSEMBLY LH	1	EA
10	49014050	UPRIGHT ASSEMBLY LH SHORT	1	EA
11	49014051	REAR DRAWER - REAR GUARD	1	EA
12	229105407	STIFFENER BULKHEAD HORIZONTAL	2	EA
13	49014052	FOLD DOWN TRAY ASSEMBLY	1	EA
14	49014053	LATCH - FOLD DOWN DOOR	1	EA
15	49014054	LIFT HANDLE BAR	1	EA
16	49014055	LOCKING LEVER	2	EA
17	49014056	SPRING	2	EA
18	49014057	TOP BRACE ANGLE 1st & 2nd	2	EA
19	49014058	TOP BRACE ANGLE 3rd	2	EA
20		BLANK		
21	219105203	SECURITY BOX ASSEMBLY W/LOCK & 2-KEYS	1	EA
22	TBD	LOCK ASSEMBLY W/ 2-KEYS	1	EA
23	229105200	TRAY SYSTEM ASSEMBLY	1	EA
24	229105401	TRAY UPPER LH	1	EA
25	229105400	TRAY UPPER RH	1	EA
26	229105402	TRAY LOWER RH	1	EA
27	229105403	BRACKET TRAY RH	1	EA
28	229105404	BRACKET TRAY CENTER	1	EA
29	229105405	BRACKET LH	1	EA
30	219119200	DOCUMENT HOLDER	1	EA
31	45400608	CARGO NET	2	EA
32	229105500	LINK @ LOCK CYLINDER	1	EA
33	45503041	TIE DOWN D-RING	2	EA
34	49014095	SUPPORT HORIZONTAL CURBSIDE	4	EA
NS	49014096	SUPPORT HORIZONTAL ROADSIDE	4	EA
36	49014097	SUPPORT HORIZONTAL CURBSIDE	1	EA
37	49014098	SUPPORT HORIZONTAL ROADSIDE	1	EA

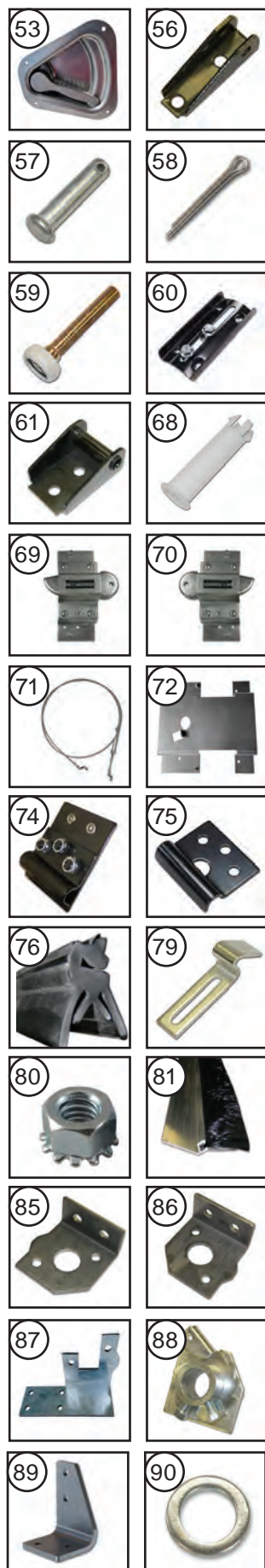
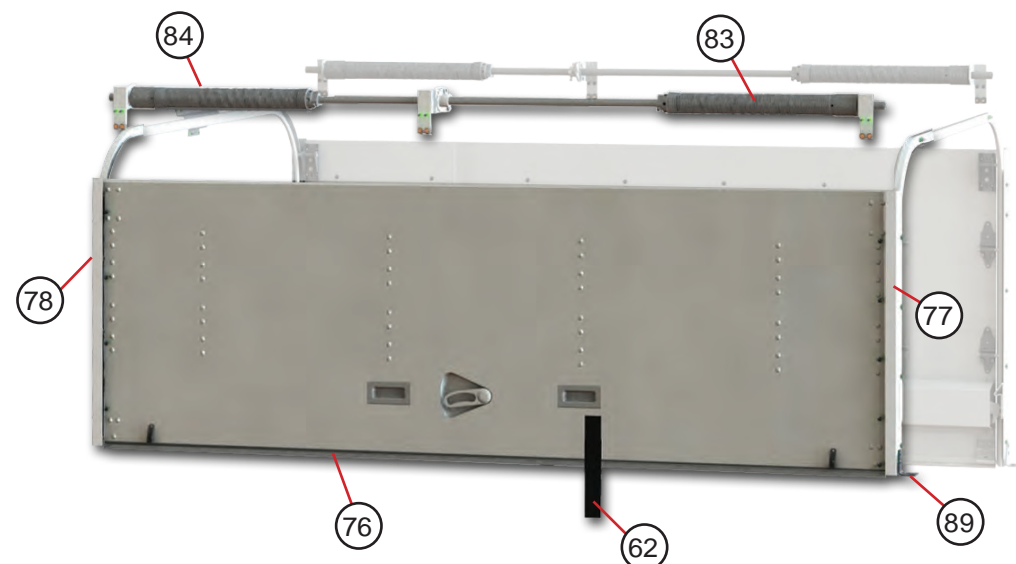
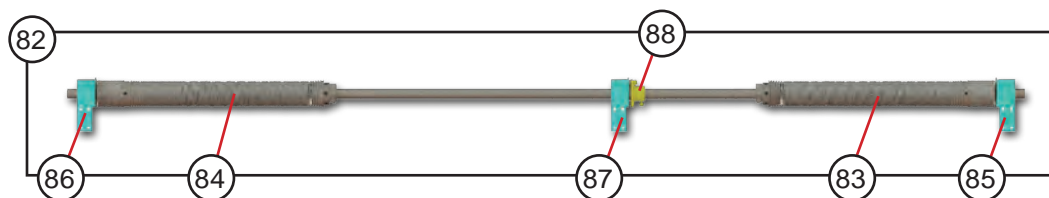
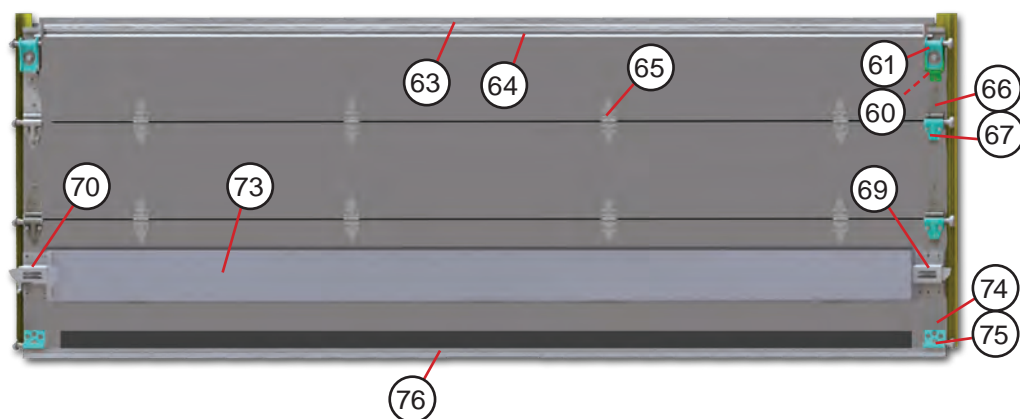
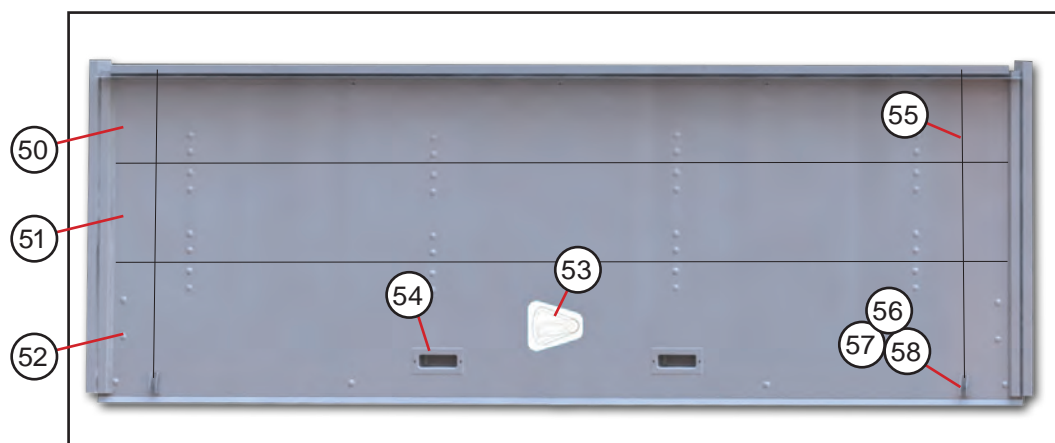


SIDE DOOR CURBSIDE 49013661



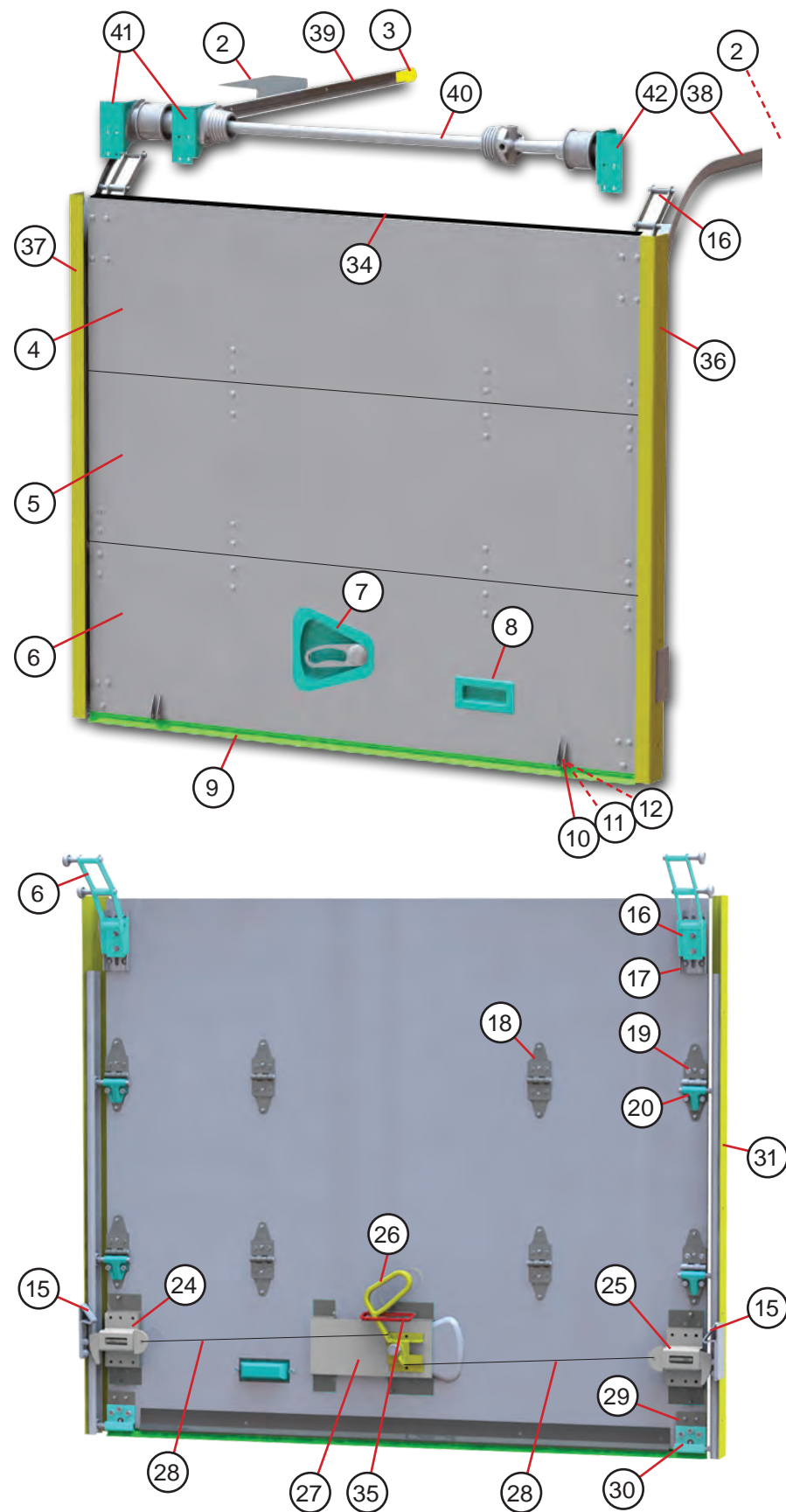
ITEM #	PART #	DESCRIPTION	QTY	UNIT
1	47107141	.25" COMPOSITE TOP PANEL- COMPLETE- 12.5" X 97.75" W/ SEAL	1	EA
2	47107142	.25" COMPOSITE INTERMEDIATE PANEL - 14" X 97.75"	1	EA
3	47107143	.25" COMPOSITE BOTTOM PANEL W/ 2PT -COMPLETE 15" X 97.75"	1	EA
4	47107112	RECESSED V-HANDLE	1	EA
5	47107119	RECESSED LIFT HANDLE	1	EA
6	47107320	CABLE 58" 7 X 19 SS 1/4 ALUMINUM EYE (EACH)	2	EA
7	47106762	CABLE ANCHOR BRACKET	2	EA
8	47106706	1/4" X 1" CABLE ANCHOR PIN	2	EA
9	47106719	3/32" X 1" COTTER PIN	2	EA
10	47107110	1" PREMIUM NYLON ROLLER	8	EA
90	47106718	SPACER WASHER @ ROLLER	16	EA
11	47107121	TOP CLOSURE BASE	2	EA
12	47106711	TOP CLOSURE SLIDE ASSEMBLY	2	EA
13	47106728	12" LOOPED STRAP - BLACK RETAINER	1	EA
14	47107134	HEADER SEAL ASSEMBLY-95.25"	1	EA
15	47107133	TOP PANEL SEAL ASSEMBLY	1	EA
16	47106731	CENTER HINGE-HEAVY DUTY	8	EA
17	47106776	ROLLER HINGE HEAVY DUTY	4	EA
18	47107109	ROLLER HINGE COVER FOR SILENCER TUBE	4	EA
19	47107111	SILENCER TUBE FOR END HINGE	6	EA
20	47107116	TWO POINT END LATCH ASSEMBLY W/ EXTENDED STRIKER- CURBSIDE	1	EA
21	47107117	TWO POINT END LATCH ASSEMBLY W/ EXTENDED STRIKER- ROADSIDE	1	EA
22	47107118	2PT CABLE ASSY. W/ TURNBUCKLE, DBL Z	2	EA
23	47107114	CENTER BASE FOR TEAR-DROP HANDLE	1	EA
24	47107139	CABLE COVER - 43"	1	EA
25	47107140	CABLE COVER - 33.625"	1	EA
26	47107137	4 - STUD PLATE HEAVY DUTY 2 1/2"	2	EA
27	47107138	4 HOLE ROLLER CLAMP	2	EA
28	TG-DU-183	BOTTOM SEAL EPDM SPONGE SEAL	1	EA
29	47107113	2 POINT HUB	1	EA
30	47107160	VERTICAL TRACK ASSEMBLY- #49013661- CURBSIDE	1	EA
31	47107161	VERTICAL TRACK ASSEMBLY- #49013661- ROADSIDE	1	EA
32	47106740	LOCK CATCH	1	EA
33	47106744	5/16 KEP NUT	1	EA
34	47107162	BRUSH SIDE SEAL - 43" - EA	1	EA
35	47107157	HORIZONTAL TRACK - 50" FWD/AFT	2	EA
36	219130502	BRACKET MOUNTING ROLL UP DOOR	1	EA
37	47107168	COUNTERBALANCE ASSEMBLY - #49013660	1	EA
38	47107169	SPRING W/ PLUGS, .177 X 2 3/16 X 22 CURBSIDE	1	EA
39	47107170	SPRING W/ PLUGS, .177 X 2 3/16 X 22 ROADSIDE	1	EA
40	47106886	BALANCER BRACKET - CURBSIDE	1	EA
41	47106887	BALANCER BRACKET - ROADSIDE	1	EA
42	47107166	CENTER BRACKET	1	EA
43	47107167	RETRO-WINDER	1	EA
44	239130501	BRACKET LOWER RH	1	EA

SIDE DOOR ROADSIDE 49013660

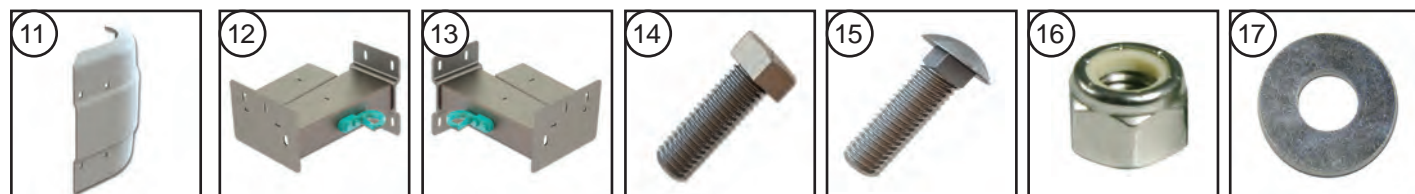
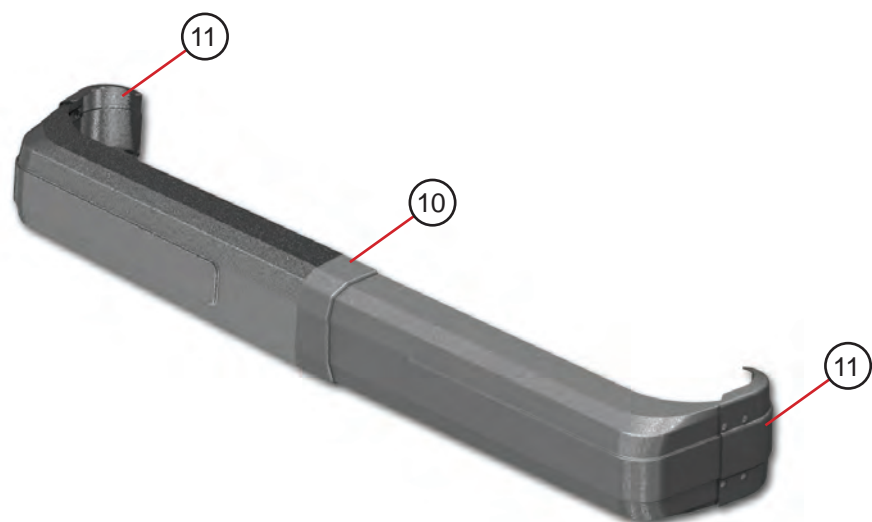
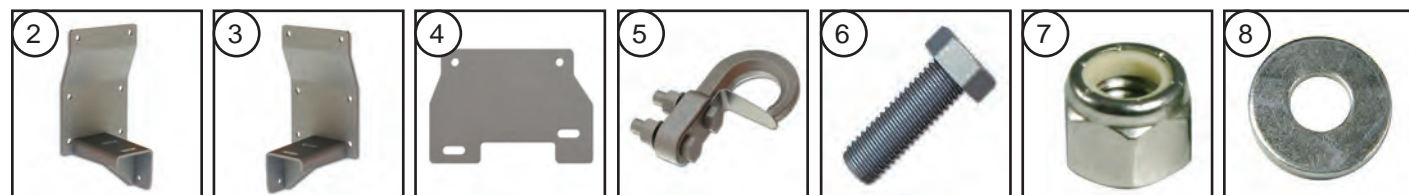
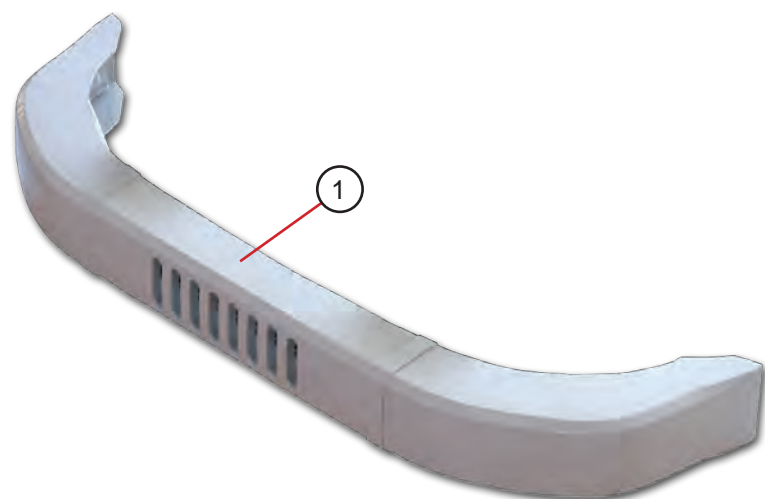


ITEM #	PART #	DESCRIPTION	QTY	UNIT
50	47107130	.25" COMPOSITE TOP PANEL - COMPLETE- 12.5" X 97.75" W/ SEAL	1	EA
51	47107131	.25" COMPOSITE INTERMEDIATE PANEL - 14" X 97.75"	1	EA
52	47107132	.25" COMPOSITE BOTTOM PANEL W/ 2PT - COMPLETE 15" X 97.75"	1	EA
53	47107112	RECESSED V-HANDLE	1	EA
54	47107119	RECESSED LIFT HANDLE	2	EA
55	47107120	CABLE 50" 7 X 19 SS 1/4 ALUMINUM EYE	1	PR
56	47106762	CABLE ANCHOR BRACKET	2	EA
57	47106706	1/4" X 1" CABLE ANCHOR PIN	2	EA
58	47106719	3/32" X 1" COTTER PIN	2	EA
59	47107110	1" PREMIUM NYLON ROLLER	8	EA
60	47107121	TOP CLOSURE BASE ONLY	2	EA
61	47106711	TOP CLOSURE SLIDE	2	EA
62	47106728	12" LOOPED STRAP - BLACK RETAINER	1	EA
63	47107134	HEADER SEAL ASSEMBLY-95.25"	1	EA
64	47107133	TOP PANEL SEAL ASSEMBLY	1	EA
65	47106731	CENTER HINGE-HEAVY DUTY	8	EA
66	47106776	ROLLER HINGE HEAVY DUTY	4	EA
67	47107109	ROLLER HINGE COVER FIR SILENCER TUBE	4	EA
68	47107111	SILENCER TUBE FOR END HINGE	6	EA
69	47107116	TWO POINT END LATCH ASSEMBLY W/ EXTENDED STRIKER- CURBSIDE	1	EA
70	47107117	TWO POINT END LATCH ASSEMBLY W/ EXTENDED STRIKER- ROADSIDE	1	EA
71	47107118	2PT CABLE ASSY. W/ TURNBUCKLE, DBL Z	2	EA
72	47107114	CENTER BASE FOR TEAR-DROP HANDLE	1	EA
73	47107115	CABLE COVER - 97.375"	1	EA
74	47106705	BOTTOM FIXTURE ASSEMBLY - 3 STUD	2	EA
75	47106704	BOTTOM FIXTURE COVER ONLY - 3 HOLE	2	EA
76	47107144	BOTTOM SEAL 4-POINT 98.25" (CUT TO FIT)	1	EA
77	47107154	VERTICAL TRACK ASSEMBLY- #49013660- CURBSIDE	1	EA
78	47107155	VERTICAL TRACK ASSEMBLY- #49013660- ROADSIDE	1	EA
79	47106740	LOCK CATCH	2	EA
80	47106744	5/16 KEP NUT	4	EA
81	47107162	BRUSH SIDE SEAL - 43"	2	EA
82	47107168	COUNTERBALANCE ASSEMBLY - #49013660	1	EA
83	47107169	SPRING W/ PLUGS, .177 X 2 3/16 X 22 CURBSIDE	1	EA
84	47107170	SPRING W/ PLUGS, .177 X 2 3/16 X 22 ROADSIDE	1	EA
85	47107164	BALANCER BRACKET - CURBSIDE	1	EA
86	47107165	BALANCER BRACKET - ROADSIDE	1	EA
87	47107166	CENTER BRACKET	1	EA
88	47107167	RETRO-WINDER	1	EA
89	239130500	BRACKET LOWER LH	1	EA
90	47106718	SPACER WASHER @ ROLLER	16	EA

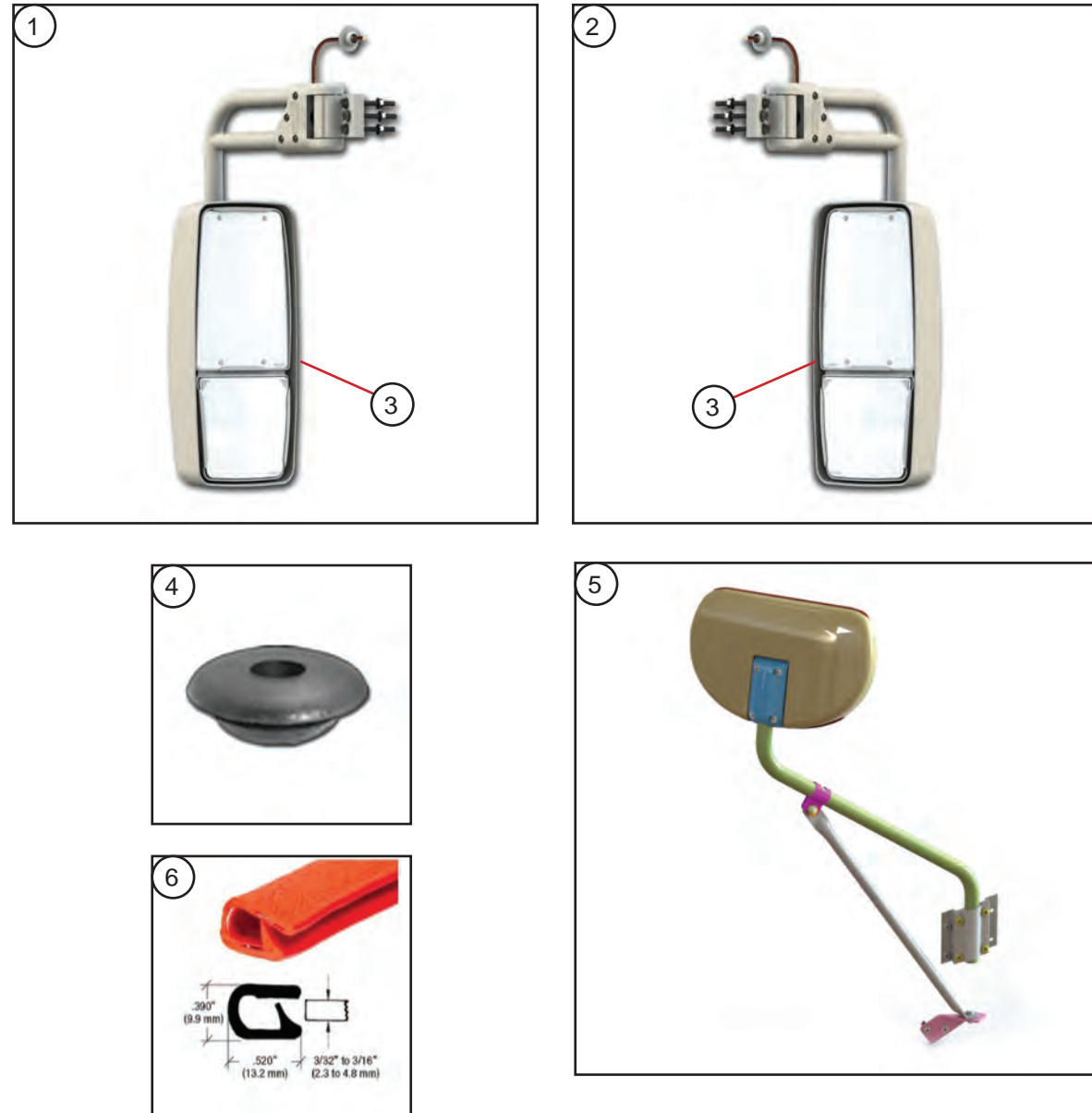
REAR DOOR 49013662 50X45.54



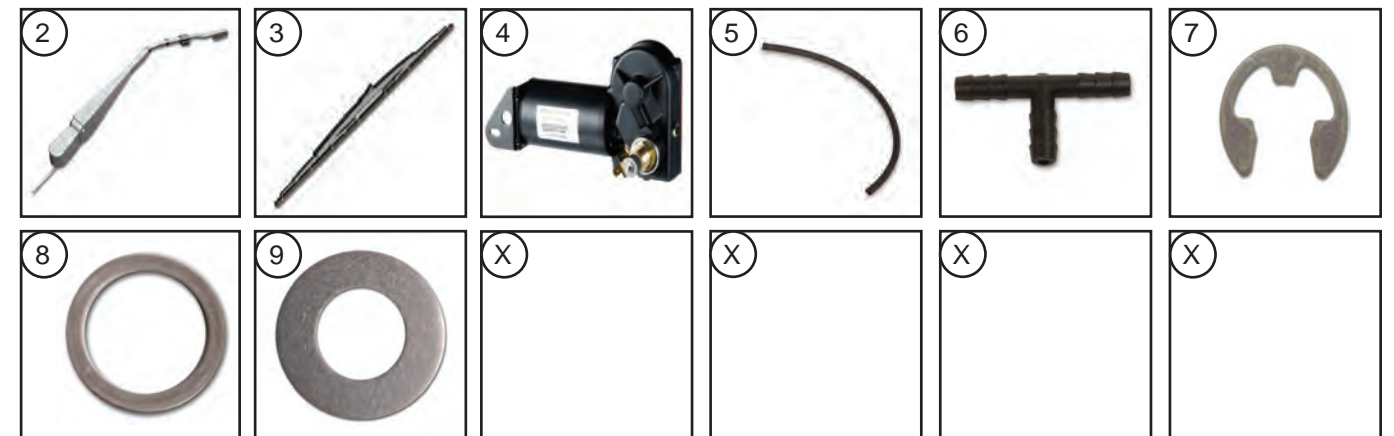
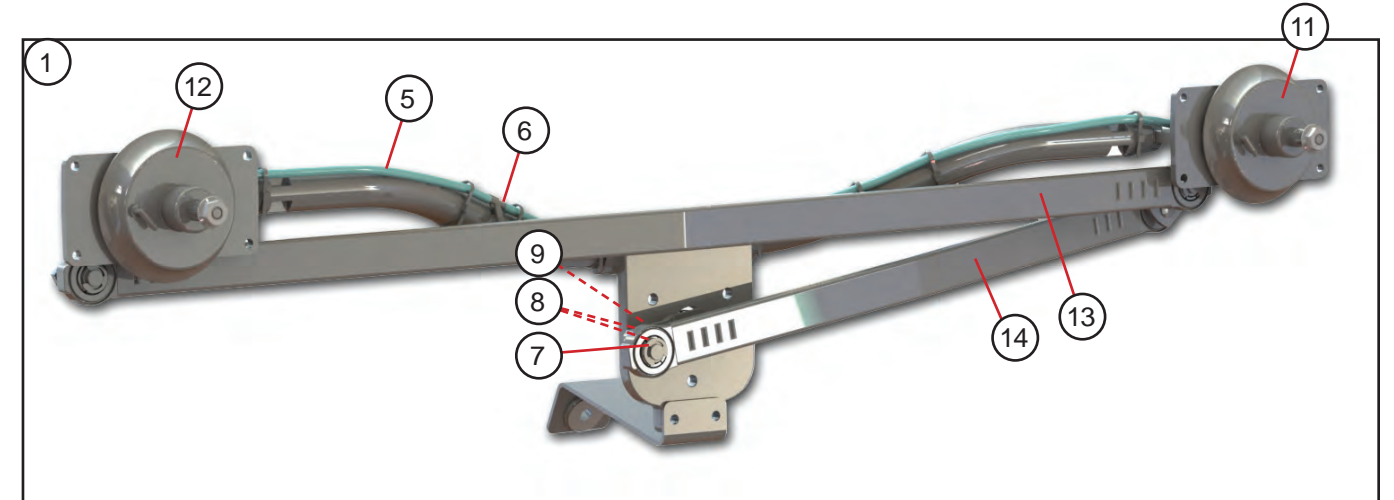
ITEM #	PART #	DESCRIPTION	QTY	UNIT
1	49013662	ROLL UP DOOR 50X45.54 (ALL ITEMS ON THIS PAGE)	1	EA
2	219130503	MOUNTING BRACKET HORZ TRACK RH AL .125X11.09X20	2	EA
3	47106739	HEAD PROTECTOR - YELLOW	2	EA
4	47107149	.25" COMPOSITE PANEL TOP - COMPLETE X13.5"X52.25" W/ SEAL	1	EA
5	47107150	.25" COMPOSITE PANEL CENTER 15"X52.25"	1	EA
6	47107151	.25" COMPOSITE PANEL BOTTOM - COMPLETE 15"X52.25"	1	EA
7	47107112	HANDLE - LATCH (TEARDROP)	1	EA
8	47107119	HANDLE - RECESSED	1	EA
9	47107144	BOTTOM SEAL 4-POINT 98.25" (CUT TO FIT)	1	EA
10	47106762	BRACKET - CABLE ANCHOR	2	EA
11	47106706	CLEVIS PIN .25 X 1"	2	EA
12	47106719	COTTER PIN	1	EA
13	47107120	CABLE 50" 7 X 19 SS 1/4 ALUMINUM EYE	1	PR
14	47106728	12" LOOPED PULL STRAP W/ RETAINER BRACKET	1	EA
15	47106740	LOCK CATCH	2	EA
16	47107146	DUAL ROLLER TOP FIXTURE	2	EA
17	47107121	TOP CLOSURE BASE	2	EA
18	47106731	CENTER HINGE HEAVY DUTY	2	EA
19	47106776	END HINGE	4	EA
20	47107109	ROLLER COVER - HEAVY DUTY - FOR SILENCER TUBE	4	EA
21	47107110	ROLLER 1"	8	EA
22	47106718	SPACER WASHER @ ROLLERS	16	EA
23	47107111	SILENCER TUBE	6	EA
24	47107116	END LATCH CURBSIDE	1	EA
25	47107117	END LATCH ROADSIDE	1	EA
26	47106891	CENTER CONTROL COMPLETE W/ LIFT HANDLE	1	EA
27	47107114	CENTER BASE	1	EA
28	47107148	CABLE - LATCH 21.5" W/ 2 STOPS & WASHER	2	EA
29	47106705	BOTTOM FIXTURE ASSEMBLY - 3 STUD	2	EA
30	47106704	BOTTOM FIXTURE COVER ONLY - 3 HOLE	2	EA
31	47107162	SIDE SEAL - BRUSH 43"	2	EA
32	47107147	AL CABLE COVER 51.875"	1	EA
33	47106756	GROMMET - COVER PANEL	1	EA
34	47107152	TOP PANEL SEAL ASSEMBLY 52.25"	1	EA
35	47107153	HEADER SEAL 49.875"	1	EA
36	47107158	TRACK ASSEMBLY VERTICAL CURBSIDE	1	EA
37	47107159	TRACK ASSEMBLY VERTICAL ROADSIDE	1	EA
38	TG-49111-3662-1	TRACK ASSEMBLY HORIZONTAL CURBSIDE	1	EA
39	TG-49111-3662-2	TRACK ASSEMBLY HORIZONTAL ROADSIDE	1	EA
40	47107171	COUNTERBALANCE ASSEMBLY	1	EA
41	47107173	BALANCER BRACKET ROADSIDE	2	EA
42	47107172	BALANCER BRACKET CURBSIDE	1	EA



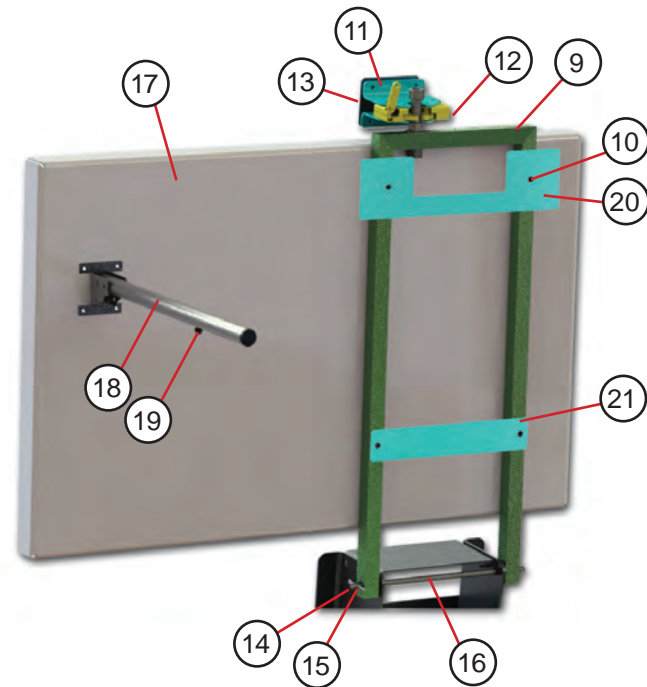
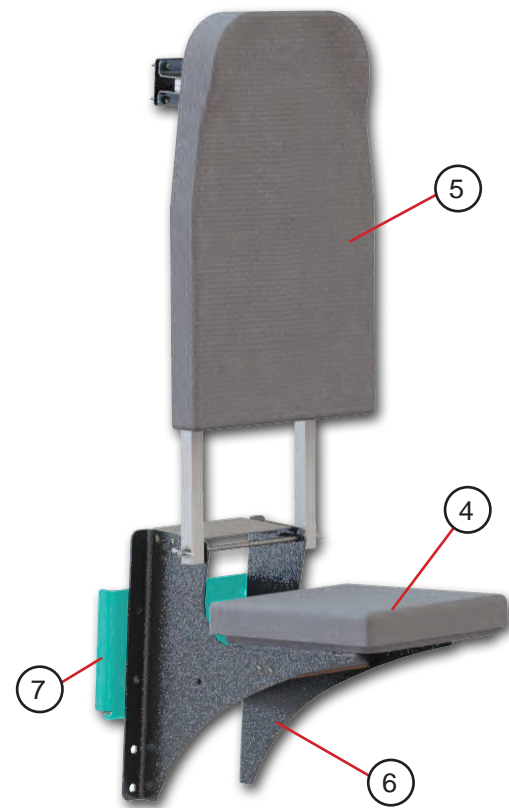
ITEM #	PART #	DESCRIPTION	QTY	UNIT
1	49013101	BUMPER FRONT 80W 9"	1	EA
2	219008200	BRACKET MOUNTING WLDMT FRONT BUMPER LH	1	EA
3	219008201	BRACKET MOUNTING WLDMT FRONT BUMPER RH	1	EA
4	219008402	PLATE FRONT BUMPER STEEL .25X6.75X10.5	2	EA
5	49013618	HOOK TOWING	2	EA
6	05145	BOLT HX/HD .5-13X1.5 GD8	14	EA
7	052219	NUT NYL LOCKING .5-13 GD 8	8	EA
8	1117945	WASHER STEEL FLAT ZP B .1X.53X1.25	0.537	LB
9		BLANK		
10	49003017	BUMPER REAR 79W 9.5"	1	EA
11	49013038	COVER BUMPER REAR HDPE	2	EA
12	209057200	BRACKET MOUNTING ASSEMBLY REAR BUMPER LH	1	EA
13	209057201	BRACKET MOUNTING ASSEMBLY REAR BUMPER RH	1	EA
14	49013113	BOLT STEEL HX/HD GR8 .5-13X1.5	8	EA
15	49013617	BOLT STEEL CARRIAGE ZP .31-18X1.25	8	EA
16	1117311	NUT STAINLESS HEX LOCK .31-18	8	EA
17	1117955	WASHER STEEL FLAT ZP B .31 BLT	8	EA
17	1117943	WASHER STEEL FLAT HARD .11X.53X1.05	0.143	LB



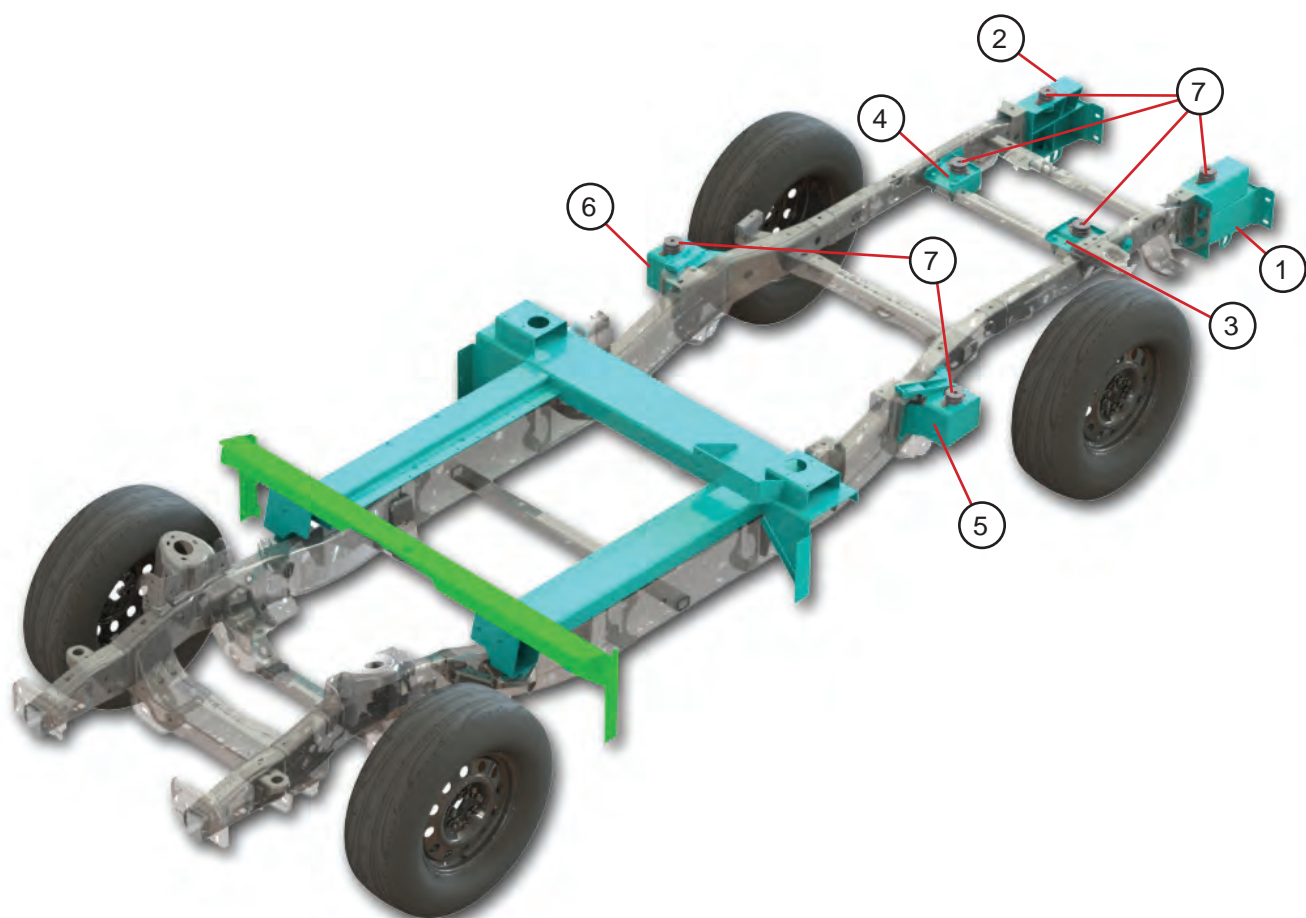
ITEM #	PART #	DESCRIPTION	QTY	UNIT
1	49013130	MIRROR ASSEMBLY LH BLACK HEATED	1	EA
2	49013131	MIRROR ASSEMBLY RH BLACK HEATED	1	EA
3	47107129	MIRROR HEAD ONLY - LH/RH	-	EA
4	11007087	GROMMET .313X.063X.188	4	EA
5	49013468	MIRROR ASSEMBLY FRONT	1	EA
6	44009079	TRIM QUICK EDGE ORANGE	7.82	FT



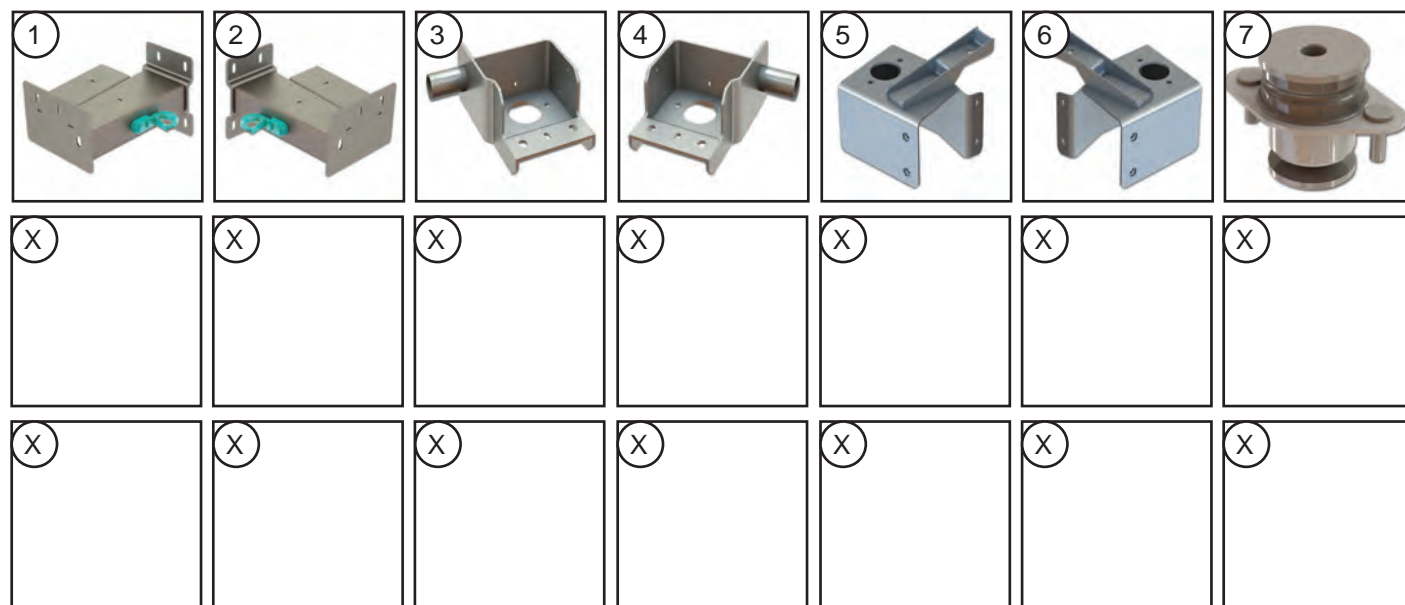
ITEM #	PART #	DESCRIPTION	QTY	UNIT
1	49013062	WIPER ASSEMBLY 2-PIVOT SINGLE MOTOR	1	EA
2	49013554	ARM WIPER	2	EA
3	49013555	BLADE 28IN BLACK	2	EA
4	49013010	MOTOR 12V 54Nm	1	EA
5	1107122	WASHER HOSE 3/16" (SOLD BY THE FOOT)	1	FT
6	1101694	TEE WASHER HOSE 3/16" ID HOSE	1	EA
7	49013017	E-CLIP .375	1	EA
8	49013016	WASHER FLAT .375 ID THIN WALL	2	EA
9	49013015	WASHER FLAT .750 X .514 ID X .125" THICK AL	1	EA
NS	49013011	CRANK ASSEMBLY	1	EA
11	49013012	PIVOT ASSEMBLY	1	EA
12	49013013	PIVOT ASSEMBLY	1	EA
13	49013014	779 MM BENT LINK ASSEMBLY	1	EA
14	49013025	400 MM BENT LINK ASSEMBLY	1	EA

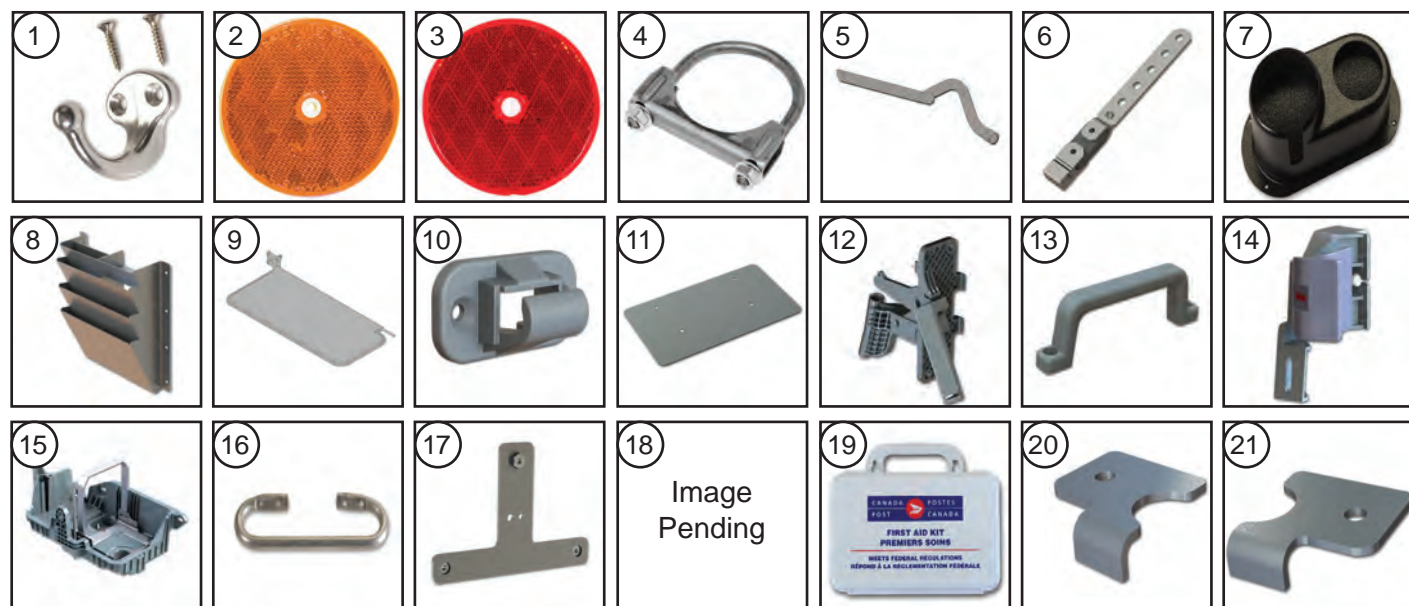


ITEM #	PART #	DESCRIPTION	QTY	UNIT
1	49013470	DRIVER SEAT HEATED S&P RH	1	EA
2	219067400	PLATE - SEAT BASE STL 7GAX14.19X16.6	1	EA
3	49013531	SEAT BELT - DRIVER	1	EA
4	49013526	JUMP SEAT S&P CLOTH	1	EA
5	49013527	JUMP SEAT BACK S&P CLOTH	1	EA
6	229069200	BASE ASSEMBLY - JUMP SEAT	1	EA
7	219069416	BRACE J/SEAT AL .188X9.16X15.41	1	EA
8	49013558	SEAT BELT - JUMP SEAT	1	EA
9	219069201	FRAME ASSEMBLY - BACK J/SEAT WELDED	1	EA
10	229069400	SPACER .44"	8	EA
11	229069403	BRACKET LATCH AL .102X3.99X4.25	2	EA
12	49013529	LATCH ROTARY J/SEAT	1	EA
13	219069417	PLATE LATCH J/SEAT AL .102X3X4	1	EA
14	05800	COTTER PIN .12X2	2	EA
15	49013121	BUSHING FLANGE .375	2	EA
16	219069409	ROD J/SEAT STEEL 1101086X12.25	1	EA
17	219069402	TRAY MAIL AL.125X27.08X40.46	1	EA
18	219069411	BRACE J/SEAT TRAY FOLDING X18.5	1	EA
19	49013095	BUMPER RUBBER 6-32	1	EA
20	229069404	MOUNTING PLATE UPPER AL .125X4.5X14	1	EA
21	229069405	MOUNTING PLATE LOWER AL .125X2X11	1	EA

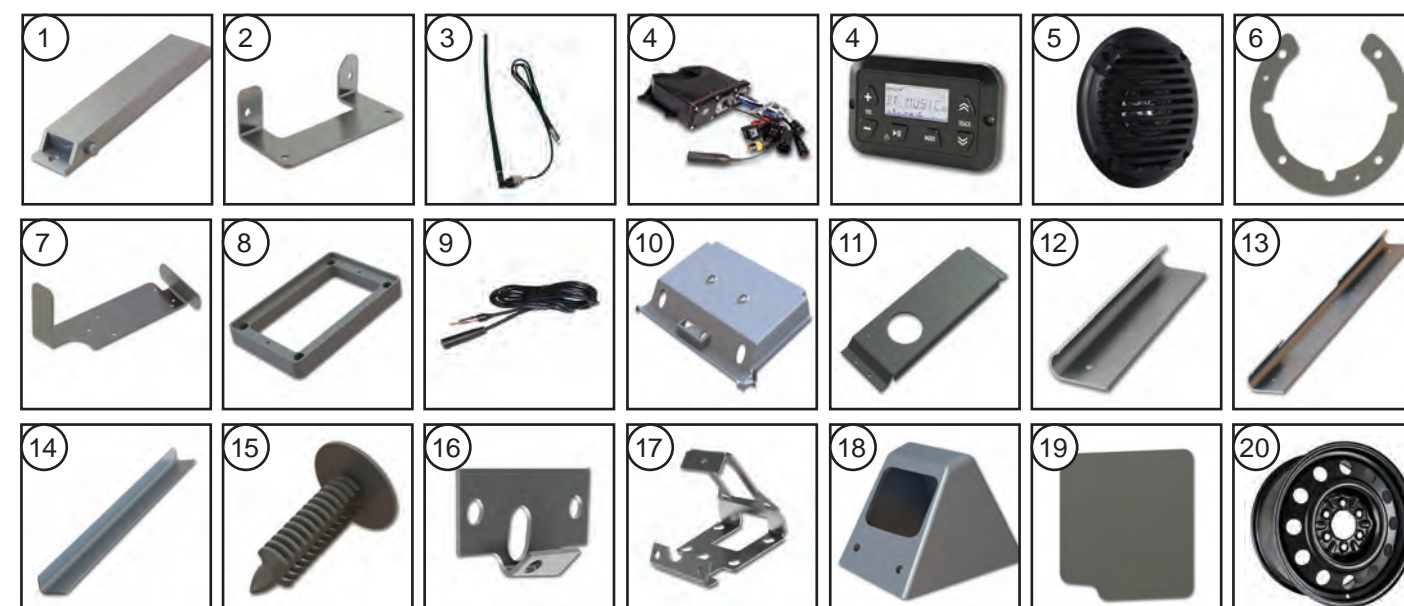


ITEM #	PART #	DESCRIPTION	QTY	UNIT
1	209057200	BRACKET MOUNTING ASSEMBLY REAR BUMPER LH	1	EA
2	209057201	BRACKET MOUNTING ASSEMBLY REAR BUMPER RH	1	EA
3	209007204	SUPPORT MOUNT LH	1	EA
4	209007205	SUPPORT MOUNT RH	1	EA
5	49013164	SUPPORT MOUNT MID LH	1	EA
6	49013165	SUPPORT MOUNT MID RH	1	EA
7	49013065	BODY MOUNTING SUPPORT	6	EA

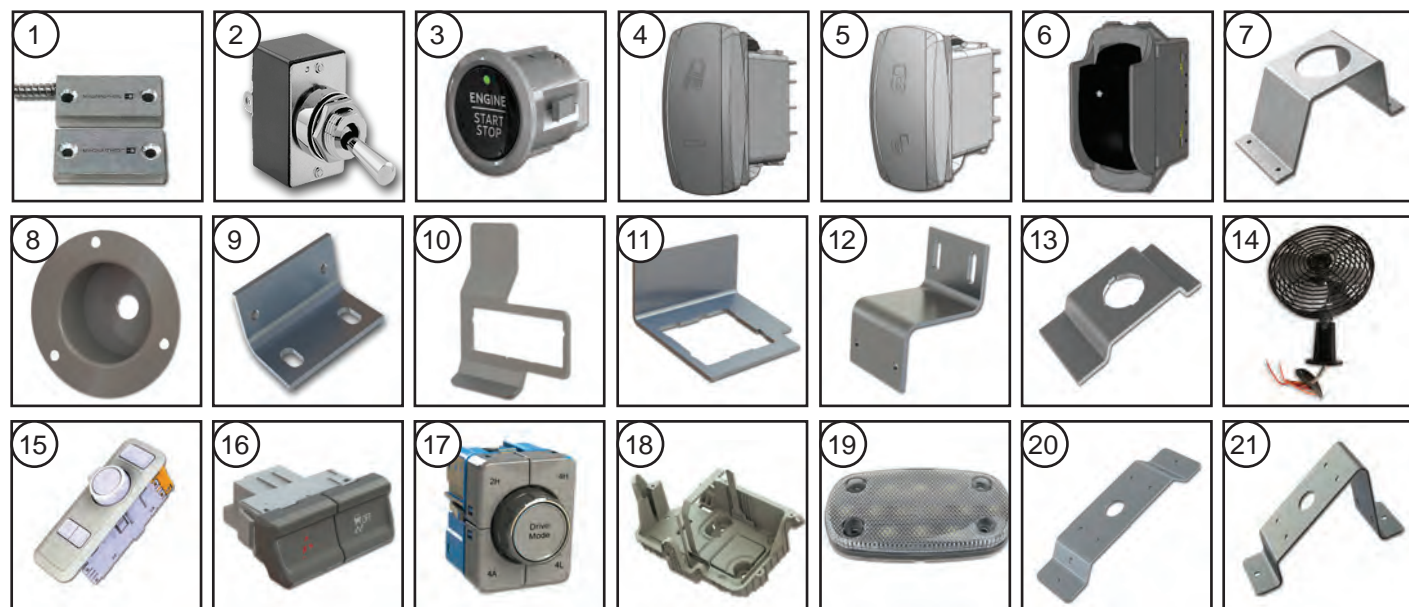




ITEM #	PART #	DESCRIPTION	QTY	UNIT
1	1113494	COAT HOOK	2	EA
2	43007341	REFLECTOR - AMBER	2	EA
3	43007342	REFLECTOR - RED	2	EA
4	49013195	CLAMP - EXHAUST 3.25"	1	EA
5	49013137	EXHAUST PIPE 3" OD	1	EA
6	49013557	HANGER - EXHAUST PIPE	1	EA
7	42007001	CUP HOLDER	1	EA
8	219119200	DOCUMENT HOLDER	1	EA
9	49013120	SUN VISOR	2	EA
10	49013503	CLIP FOR SUN VISOR	2	EA
11	219017407	PLATE LICENSE PLATE	1	EA
12	CS9027001	RELEASE HANDLE TRANSMISSION	1	EA
NS	49013646	GROMMET TRANS RELEASE CABLE	1	EA
13	49013621	GRAB HANDLE	2	EA
14	CS9005001	HOOD RELEASE HANDLE	1	EA
15	CS9009001	BATTERY BOX	1	EA
16	90187300	GRAB HANDLE	2	EA
17	219027207	BRACKET RELAY	1	EA
18	47009079	DOCUMENT POUCH	1	EA
19	CF9070001	FIRST AID KIT (CUSTOMER FURNISHED ITEM)	1	EA
20	229005410	PLATE CABLE CLOSEOUT AL .102X1.75X2.63 LH	1	EA
21	229005411	PLATE CABLE CLOSEOUT AL .102X1.75X2.63 RH	1	EA



ITEM #	PART #	DESCRIPTION	QTY	UNIT
1	49013502	KEYLESS START MODULE	1	EA
2	219147400	BRACKET ADAPTOR - KEYLESS	1	EA
3	49013417	ANTENNA AM/FM 14.5"	1	EA
4	49013910	RADIO AM/FM/BT/AUX (MODULE & CONTROLLER)	1	EA
5	46025574	SPEAKER 5"	2	EA
6	229079400	SPEAKER BRACKET AL .25X5.73X6.25	2	EA
7	229079401	RADIO BRACKET STEEL 12GAX5X17.66	1	EA
8	49013911	SPACER RADIO	1	EA
9	46025543	ANTENNA EXTENSION CABLE 144"	1	EA
10	49013327	ROOF LINER PES CCG	1	EA
11	219011400	BRACKET ROOF LINER (DOME LAMP) AL .07X6.61X18.89	2	EA
12	49013187	COVER A/PILLAR ABS CCG	1	EA
13	49013992	COVER A/PILLAR ABS CCG RH	1	EA
14	219019404	COVER A/PILLAR AL .07X3.22X26.75	2	EA
15	49003142	FASTENER CHRISTMAS TREE .187X.68	8	EA
16	229029503	BRACKET PARK SWITCH INNER AL .07X1.79X2.63	1	EA
17	229029502	BRACKET PARK SWITCH OUTER AL .07X3.05X8.81	1	EA
18	45503040	COVER PARK SWITCH	1	EA
19	229029505	PLATE COVER PARK SWITCH AL .07X3.5X3.83	1	EA
20	49013571	STEEL WHEEL RIM 18"	4	EA

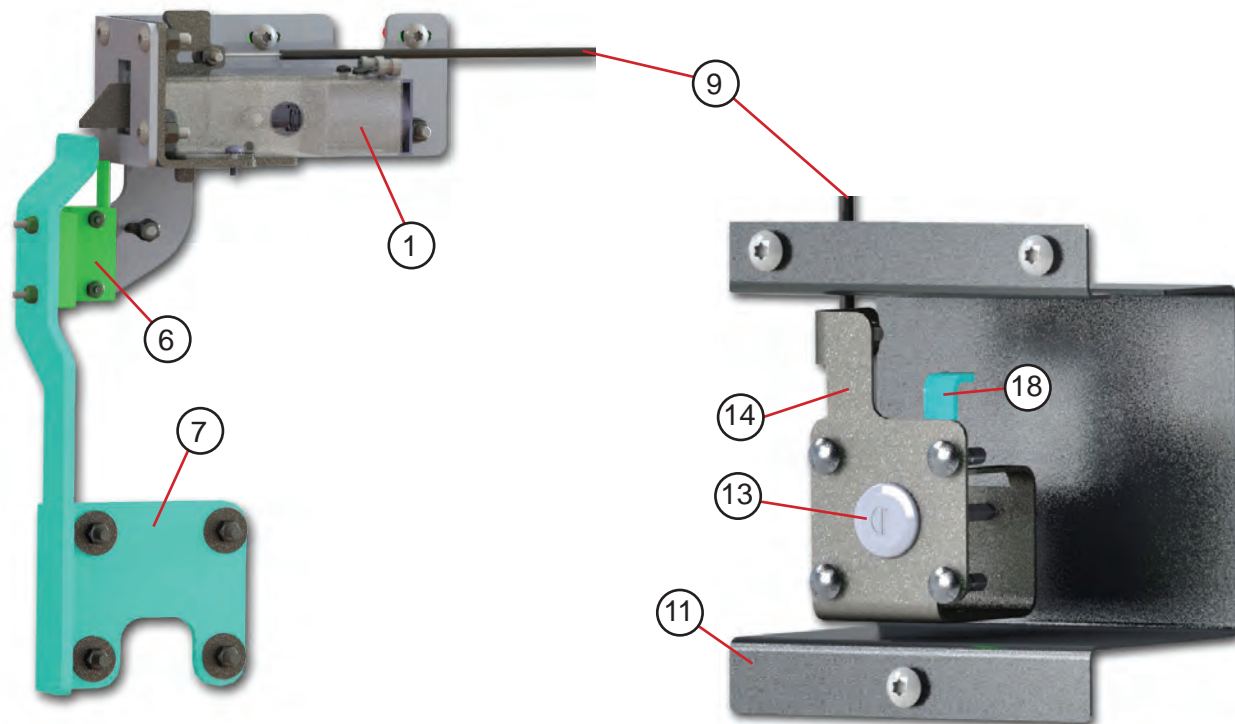


ITEM #	PART #	DESCRIPTION	QTY	UNIT
1	46025313	SWITCH MAGNETIC REED OPEN LOOP	3	EA
2	49013117	SWITCH TOGGLE 3WAY W/LEADS	1	EA
3	49013965	SWITCH ENGINE START/STOP	1	EA
4	49013180	SWITCH ROCKER SPLP	1	EA
5	49013181	SWITCH ROCKER DOOR LOCK/UNLOCK	1	EA
6	49013182	SWITCH ROCKER POWER WINDOW	2	EA
7	89860301	BRACKET MOUNTING - LAMP SWITCH	1	EA
8	46022608	CUP MOUNTING W/O TOGGLE SWITCH	1	EA
9	207094400	BRACKET MOUNTING - MAGNETIC SWITCH	3	EA
10	219027420	BRACKET MOUNTING - HEADLAMP SWITCH	1	EA
11	219027422	BRACKET MOUNTING - DRIVE MODE SWITCH	1	EA
12	219094400	BRACKET MOUNTING - MAGNETIC SWITCH RUD	3	EA
13	219027419	BRACKET MOUNTING - START/STOP SWITCH	1	EA
14	46030014	FAN 2 SPEED NO SWITCH 270CFM	1	EA
15	CS9027014	SWITCH HEADLAMP	1	EA
16	CS9027018	SWITCH TRACTION CONTROL	1	EA
17	CS9027015	SWITCH 4 WHEEL DRIVE	1	EA
18		BATTERY BOX	1	EA
19	49013094	DOME LAMP - CARGO AREA	4	EA
20	209093401	BRACKET - CARGO DOME LAMP	2	EA
21	209093403	BRACKET - CARGO DOME LAMP	2	EA



ITEM #	PART #	DESCRIPTION	QTY	UNIT
1	49013156	HEADLAMP 7" ROUND HAL	2	EA
2	49013107	LAMP TURN SIGNAL FRONT AMBER	2	EA
3	49007008	LAMP CLEARANCE MARKER AMBER	2	EA
3	49007009	LAMP CLEARANCE MARKER RED	2	EA
4	49013079	LAMP SWIVEL	1	EA
5	49013090	LAMP STOP REAR RED	2	EA
5	49013092	LAMP TURN SIGNAL REAR AMBER (LOWER AMBER LAMP)	2	EA
5	49013093	LAMP BACK UP CLEAR	2	EA
5	49013091	LAMP STROBE AMBER W/FLASHER (UPPER AMBER LAMP)	2	EA
6	49013078	LAMP PERIMETER	3	EA
7	47009642	LAMP MARKER CLEAR (LICENSE PLATE)	1	EA
8	CS9027013	SENSOR AMBIENT LAMP TEMP	2	EA
9	49013501	AMBIENT AIR SENSOR	1	EA
10	49013907	LAMP (Center High Mount Stop Lamp) CHMSL	1	EA
11	49013908	GASKET COMBO LAMP	1	EA
12	49013916	SPACER REAR CAMERA	1	EA
13	48200339	CAMERA REAR HD CLR WHITE	1	EA
14	49013915	MONITOR BACK UP CAMERA 7" COLOR LCD	1	EA
15	219092401	PLATE - MOUNTING MONITOR	1	EA
16	229092401	BRACKET CAMERA AL .125X2.13X7.42	1	EA
17	49013477	CABLE CAMERA 22FT	1	EA
17	49013476	CABLE CAMERA 12FT	1	EA
18	49013475	CAMERA SIDE	1	EA
19	49013478	ADAPTOR - MONITOR TO CAMERA	1	EA
20	49007064	DOME LAMP CAB 4.5" ROUND	2	EA
21	239027252	KEY FOB (PAIRING FOB USE P/N 239027253)	1	EA

Curbside Keyless System Shown - Roadside is a mirror image.



ITEM #	PART #	DESCRIPTION	QTY	UNIT
1	229147251	KEYLESS LOCK ASSEMBLY CURBSIDE	1	EA
NS	229147250	KEYLESS LOCK ASSEMBLY ROADSIDE	1	EA
NS	229147254	KEYLESS LOCK ASSEMBLY REAR	1	EA
4	137147400	SOLENOID 12V OPEN FRAME	3	EA
5	137147402	SPRING (1 PER SOLENOID)	3	EA
6	46025313	MAGNETIC SWITCH LH/RH	3	EA
7	229147520	BRACKET RUD LOCK CURBSIDE	1	EA
NS	229147519	BRACKET RUD LOCK ROADSIDE	1	EA
NS	229147508	BRACKET RUD LOCK REAR	1	EA
9	49013684	CABLE KEYLESS LH/RH	2	EA
NS	137147414	CABLE KEYLESS REAR	1	EA
11	229147521	COVER KEYLESS CURBSIDE/ROADSIDE	2	EA
NS	229147522	COVER KEYLESS REAR	1	EA
13	TBD	LOCK CYLINDER ASSEMBLY (SPECIFY KEY# Z0001 THRI Z0030)	6	EA
14	229147504	BRACKET LOCK CYLINDER MOUNTING ROADSIDE / REAR	2	EA
NS	229147503	BRACKET LOCK CYLINDER MOUNTING CURBSIDE	1	EA
16	45503003	SPRING @ LOCK CYLINDER	3	EA
17	229147258	LINK BRACKET ASSEMBLY @ LOCK CYLINDER RH	1	EA
18	229147257	LINK BRACKET ASSEMBLY @ LOCK CYLINDER LH	2	EA
19	49013566	KEYLESS MODULE MCM RHD 150	1	EA

PART #	DESCRIPTION	QTY	UNIT
88117510	HARNESS JUMPER REAR 3WAY LOOSE CONECTIONS	1	EA
219082200	HARNESS CHASSIS RHD	1	EA
219084200	HARNESS INSTRUMENT PANEL RHD F150	1	EA
219084201	HARNESS CAB RHD F150	1	EA
219084203	HARNESS DOOR CAB RHD F150	2	EA
219084204	HARNESS DOOR CNCT JPR RHD F150	2	EA
219084207	HARNESS INSTRUMENT PANEL CENTER F150	1	EA
219085201	HARNESS HOOD RHD F150	1	EA
219086200	HARNESS REAR LIGHTING RHD F150	1	EA
219088200	HARNESS JUMPER RCM	1	EA
219093200	HARNESS ROOF CARGO RHD F150	1	EA
219093201	HARNESS ROOF CAB RHD F150	1	EA
49013476	CABLE CAMERA 12'	1	EA
49013477	CABLE CAMERA 22'	1	EA
49013959	HARNESS SPEAKER WIRING	1	EA
229079200	HARNESS RADIO POWER JUMPER WIRE	1	EA
229088200	HARNESS PARK SWITCH	1	EA

For Wiring Diagram Drawings
please see the Morgan Olson C-250 Maintenance Manual

Available for download at
www.morganolsonparts.com/parts-catalogs



Size	Description	Thread	Lengths														
			.62	3/4"	1"	1-1/4"	1-1/2"	1-3/4"	2"	2-1/2"	3"	3-1/4"	4"				
1/4" Hex Cap Screw	Standard	20															
1/4" Hex Cap Screw	GR5 ZC/RoHS	20															
1/4" Hex Cap Screw	18-8 Stainless	20	85743007		1101688												
1/4" Hex Cap Screw	ASTM F593C	20	1117816		85743006	1117010											
5/16" Hex Cap Screw	18-8 Stainless	18			1117819												
5/16" Hex Cap Screw	GR8 ZC/Y	18			1117045												40300737
5/16" Hex Cap Screw	ASTM F593	18			1117803			1117059									
5/16" Hex Cap Screw	GR5 ZC/R	16					1117837										
3/8" Hex Cap Screw	GR8 ZC/Y	18					1117049	1117055									
3/8" Hex Cap Screw	GR8 ZC/Y	16			1117843												
3/8" Hex Cap Screw	GR5 ZC/Ro	16							1117097			951166				1117000	
3/8" Hex Cap Screw	GR5 ZC/RoHS	16	40300056	40300054						40300058			40300813	1117040			1117099
3/8" Hex Cap Screw	ASTM F593C	16						1117805	1117052								
7/16" Hex Cap Screw	GR8 ZC/Y	20						1217000									
1/2" Hex Cap Screw	GR5 ZC/RoHS	13															
1/2" Hex Cap Screw	GR5 ZC/Ro	13					1117121							1117043	1117124		
1/2" Hex Cap Screw	GR5 ZC/RoHS	13													1117050	1117051	
1/2" Hex Cap Screw	GR5 ZC	13						1117036									
5/8" Hex Cap Screw	GR5	11															

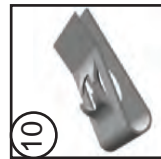
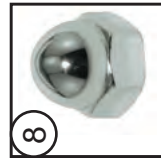
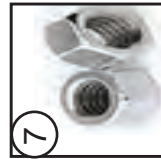
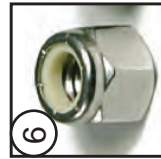
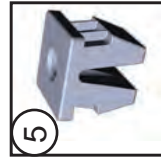
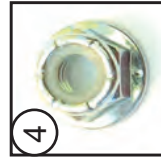
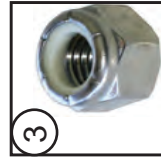
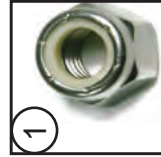
	Grade 8 Medium Carbon Alloy Steel
	Grade 5 Medium Carbon Steel
	Grade 2 Low or Medium Carbon Steel

ZC	Zinc Coated
ZP	Zinc Plated
Y	Yellow
GR	Grade
RoHS	AS9100C ISO 9001:2008
ASTM F593C	American Standards Measurements Specifications

Genuine OEM Parts

1.800.233.4823

www.morganolsonparts.com



ZP - ZINC PLATED

Standard	Thread	FIG.	#8	#10	1/4"	5/16	3/8"	.44	1/2"	DIA.	
										1/4"	1/2"
NYLON LOCKING NUT, HEX	32	1		052266							
NUT "U" SPRING .115 TO .125 PANEL	10-24	10		40901303							
NYLON LOCKING NUT, HEX ZP	24	3		1117307							
NYLON LOCKING NUT, HEX ZP	20	3			1117310						
NYLON LOCKING NUT, HEX ZP	18	3				1117638					
NYLON LOCKING NUT, HEX ZP	16	3					1117344				
LOCKING NUT HEX FLANGE .44-20 OVAL	20	4						1217003			
NUTSERT EXPANDING NYL .275 SQ	20	5		40900006							
NUT NON LOCKING	24	2		1117303							
NUT NON LOCKING	20	2			1117312						
NUT NON LOCKING	16	2					1117316				
GRADE 5											
NUT STL LK LRG FLG GD5 .31-18	18	4				40100560					
NUT STL HEX LK B ZP .5 -13 GR 5	13	1							1117283		
18-8 Stainless											
NUT SS LOCKING	32	3	1117347	1117699							
NUT SS LOCKING	24	6		1103354							
NUT SS LOCKING	20	6			1117336						
NUT SS NON LOCKING	20	7		40100044							
NUT SS ACORN LOW CROWN	20	8		40100061							
Speciality											
CHANNEL NUT WITH SPRING 1/4-20	20	9			47009988						
CHANNEL NUT WITH SPRING 3/8-16	16	9					47001001				

Genuine OEM Parts

1.800.233.4823

www.morganolsonparts.com

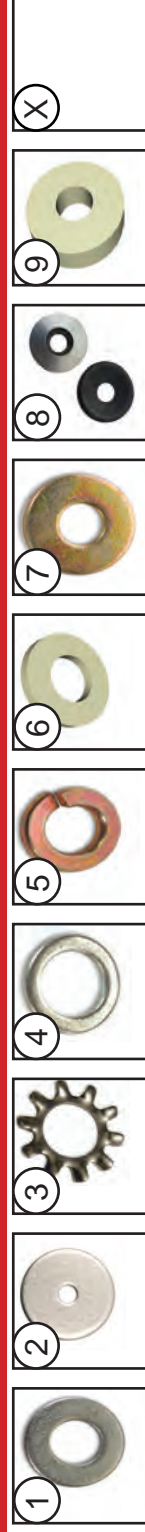


MAGNA LOCK	Length													
	Diameter	Fig.	.25	.312	.375	.438	.44	.5	.562	.625	.687	.75	.875	1"
HUCK R6-4	.188	1		1117084	1117061									
HUCK R8-6	.25	2		1117087										
PROTRUDING HEAD	.25	3			40200304		40200634			40200303				
FLUSH HEAD B6-4	.25	4						40200630						
RIV AL BRAIZER HEAD	.125	5		1117402	1117404	1117405	1117406							
RIV AL BRAIZER HEAD	.188	5		1117351	1117353	1117355	1117357	1117359	1117361	1117363	1117365	1117368		
RIV AL BRAIZER HEAD	.25	5					1117380	1117382	1117385	1117382	1117386	1117386	1117395	
RIV AL BRAIZER HEAD MOD	.25	5			40200213		40200214	1117409	1117410	1117408	1117408	1117390		
RIV AL FLAT HEAD	.125	7			85780100									
RIV AL FLAT HEAD	.188	7			1117434	1117436	1117438			1117440	1117442			
	.25	7												
RIV AL POP	.125	10	1117464											
RIV AL POP #10	.406	10	1117456											
RIV AL POP AD 66 BS		10			1117457			1117458		1117459				
RIV AL POP AD 68 BS														
RIV AL POP AD 610 BS														
POP AL OPEN END BLIND	.125	6			1117421									
POP AL OPEN END BLIND	.188	6	1117456							1117459				
POP CLSD BLACK		8						40200629		40200631				
SNAP FASTENER		9						40900925						
BULB TYPE BLIND w/WASHER	.188	10			40200621			40200501						

Genuine OEM Parts

1.800.233.4823

www.morganolsonparts.com



Standard	I/D	FIG.	Size											
			3/8	1/2	9/16	5/8	3/4"	7/8	1"	1-1/4"	1-3/4"			
#10 TYPE B FLAT WASHER ZINC/ROHS	.190	1			1117929									
#10 X 1 FENDER WASHER ZC	.190	2								1117950				
#10 EXTERNAL TOOTH LW ZC	.190	3	1117971											
1/4 EXTERNAL TOOTH LW ZC	1/4	3		1117975										
1/4 TYPE B NARROW FLAT WASHER	1/4	4			1117941									
1/4 USS FLAT WASHER ZC/ROHS	1/4	1					40000047		1117953			40300918		
1/4 F436 (A325) FLAT WASHER ZC/ROHS	1/4	1									1117952			
FLAT WASHER .060 THICK ZC/RO	1/4	1												
1/4 USS FLAT WASHER	1/4	1		1117885										
5/16 SPLIT LOCK WASHER ZC/ROHS	5/16	5	1117965											
5/16 USS FLAT WASHER ZC/ROHS	5/16	1							1117955					
3/8 USS FLAT WASHER ZC/ROHS	3/8	1							1117957					
3/8 X 1 FLAT WASHER 1/4 THK NYLON	3/8	6								40000038				
1/2 TYPE B REGULAR FLAT WASHER	1/2	1									40000050			
1/2 TYPE B REGULAR FLAT WASHER ZC	1/2	1									1117945			
1/2 TYPE B WIDE FLAT WASHER ZC/ROHS	1/2	1											1117959	
Grade 8														
1/4 FLAT WASHER GR 8 ZC/Y	1/4	7								85761003				
5/16 FLAT WASHER GR 8 ZC/Y	5/16	7								1117937				
3/8 FLAT WASHER GR 8 ZC/Y	3/8	7								40000046		1117947		
7/16 FLAT WASHER GR 8 ZC/Y	7/16	7											1217002	
1/2 FLAT WASHER GR 8 ZC/Y	1/2	7									1117943	1217002		
Stainless 18-8														
#10 X 5/8 BONDED SEALER 18-8 SS	.190	8			85761250									
1/4 X 5/8 BONDED SEALER 18-8 SS	1/4	8												
3/8 X 3/4 BONDED SEALER 18-8 SS	3/8	8								40000054				
3/8 X 1" BONDED SEALER 18-8 SS	3/8	8										40000055		
1/4 EXTERNAL TOOTH SS LW ZC	1/4	3			40000510									
Speciality														
WASHER NYLON .13 X .62 ID X 1.380D	5/8	9											137147429	

Genuine OEM Parts

1.800.233.4823

www.morganolsonparts.com



	Length										
	Diameter	Fig.	.5	.625	.75	.875	1"	1-1/4"	1-1/2"	2-1/4"	3"
18-8 Stainless											
PHILLIPS TRUSS M/S 18-8 SS	8 - 32	1	1117716								
PHILLIPS TRUSS M/S 18-8 SS	10 - 24	1	1117800	1117814	40300498		40300451	1117835			
PHILLIPS TRUSS M/S 18-8 SS	1/4 - 20	1		1117857	1117784			40300453	40300454		
PHILLIPS TRUSS M/S 18-8 SS	5/16 - 18	1			1117928						
PHILLIPS FLAT M/S 18-8 SS	10 - 32	2					1117830	1117900			
PHILLIPS FLAT M/S 18-8 SS	10 - 24	2		1117786			40300510				
PHILLIPS FLAT M/S 18-8 SS	1/4 - 20	2			40300809		1117782	40300634		40300630	40300638
PHILLIPS FLAT M/S 18-8 SS	3/8 - 16	2							1117789		
PHILLIPS ROUND M/S 18-8 SS	10 - 24	6			1117209						
6 LOBE PAN T/C M/S 18-8 SS	1/4 - 20	9					1117815		40300309		
Standard Steel RoHS											
PHILLIPS ROUND M/S ZC/ROHS	8 - 32	6						1117839			
PHILLIPS PAN TEKS/3 ZC/ROHS	10 - 16	5			1117674						1117793
PHILLIPS TRUSS M/S ZC/ROHS	10 - 24	1									
PHILLIPS TRUSS M/S ZC/ROHS	10 - 32	1	1117723		1117688		1117715				
T/C - Thread Cutting											
PHIL PAN T/S TYPE A ZC	10	8					1117680				
PHIL TRUSS T/S TYPE A BLK	10	4					40300101				
PHIL PAN T/S TYPE A BLK	10	7					40300503				
PHIL PAN T/S TYPE A ZC	12	8			1117666						
6 LOBE PAN T/C	1/4 - 20	9	85743152	1117668			40300922		1117684		



T/C Thread Cutting 6 Lobe Type A

Genuine OEM Parts

1.800.233.4823

www.morgansonparts.com

Blank