



PARTS CATALOG 2019



2018-19 MORGAN OLSON BODY
2018-19 FORD CHASSIS F-59

22'x85"Hx93"W F59 US GAS
UNIT & VIN NUMBERS
SEE PAGE 4



PUBLISHED JAN 2019
1.800.233.4823
WWW.MORGANOLSONPARTS.COM



INTRODUCTION	3
UNIT NUMBER COVERAGE AND ASSIGNMENT	4
CAB & ENGINE BOX	5
WINDSHIELD	6
INSTRUMENT PANEL	7
HOOD	8-9
STEPS	10
SEATS	11
FLOOR	12
SIDES	13-14
ROOF	15
REAR	16
BULKHEAD	17
SIDE DOOR	18
SIDE DOOR POCKET	19
ROLL UP DOOR (RUD)	20-22
PIPE RACK & E-TRACK	23
SHELF OVER WHEELBOX	24
BUMPERS	25
MIRRORS & WINDSHIELD WIPERS	26
HEATER	27-29
MISCELLANEOUS	30
BATTERY BOX SIDE (OPTIONAL)	31
LIFT GATE (OPTIONAL)	32
ELECTRICAL	33-34
WIRING DIAGRAMS	35-61

This parts guide contains illustrations and part numbers for aramark Delivery Vehicle Package Cars and applies to bill of material # JV002218 produced in 2019.

Cover photo shown with optional lift gate installed. See page 33 for Lift Gate information.

This book has been divided into chapters. Each chapter has illustrations with part numbers and descriptions. When possible, each part is pointed out to help identify it. Orientation references are from the rear of the vehicle facing forward. LH (LEFT HAND) is roadside and RH (RIGHT HAND) is curb-side.

Procedure to Order Parts

1. Depending on the part desired, turn to the appropriate section.
2. Locate the desired part on the Illustration Page(s) and note it's part number.
3. Contact a Morgan Olson Service Parts Representative. Have part numbers readily available.
4. When placing orders, specify vehicle VIN number.

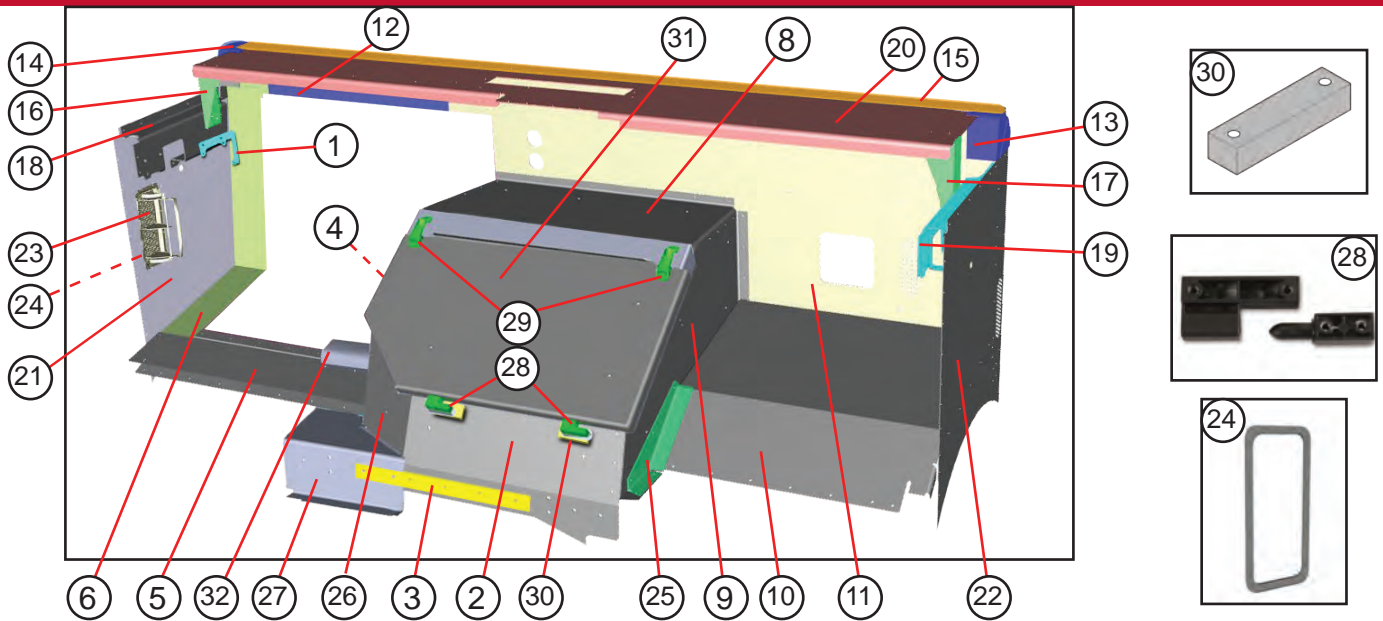
FOR WARRANTY INFORMATION CALL 1-800-262-3437

ANY QUESTIONS OR CONCERNS SHOULD BE DIRECTED TO YOUR SERVICE
PARTS REPRESENTATIVE AT
1-800-233-4823

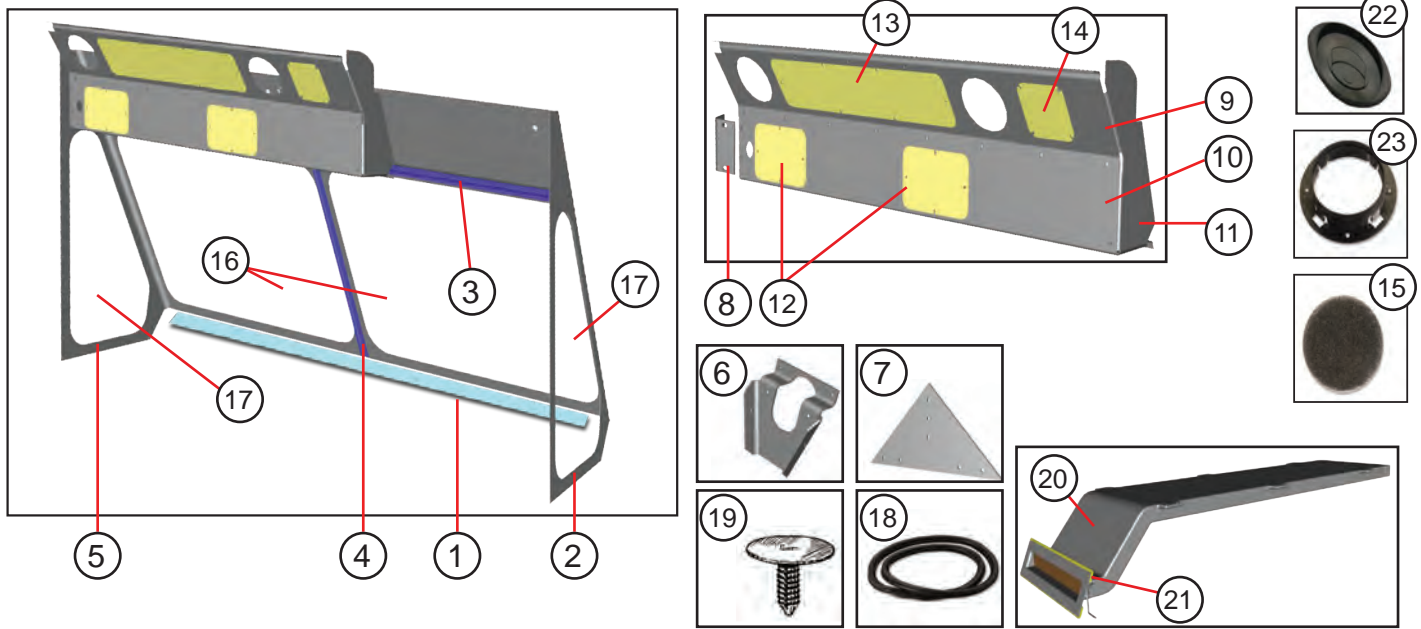
At Morgan Olson, our quest for quality and safety is ongoing and therefore the specifications on the product described herein may vary over time. Please contact Morgan Olson for the latest product information and available safety features and options.

THIS PARTS CATALOG APPLIES TO THE FOLLOWING ARAMARK UNIT NUMBERS.

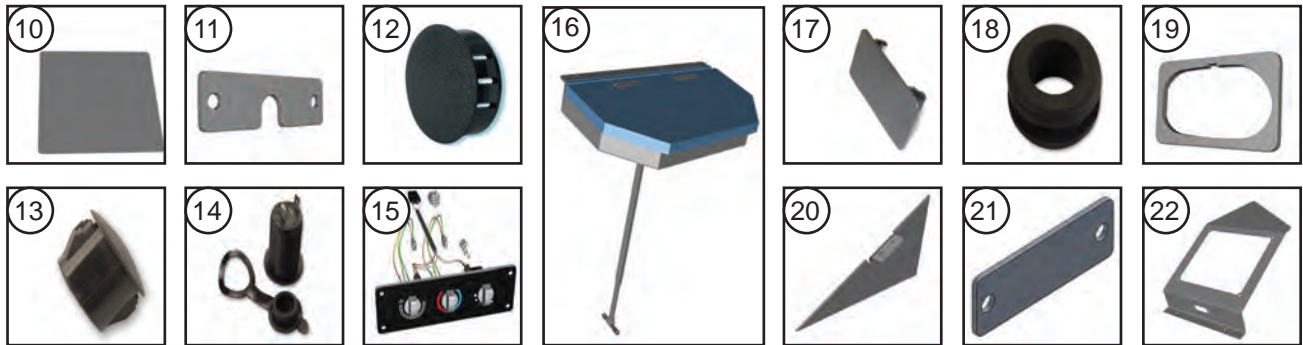
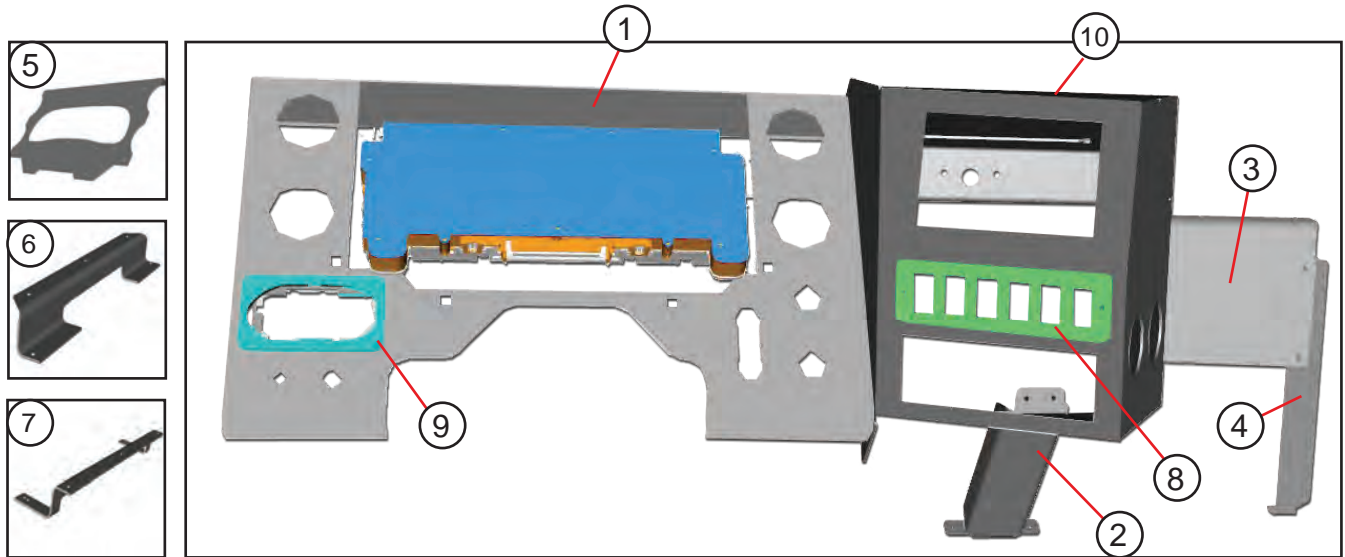
Chassis Vin#	Unit#		
		1F66F5KY4K0A06737	0029060S
1F66F5KY6K0A05881	0029035S	1F66F5KY6K0A06738	0029061S
1F66F5KY8K0A05882	0029036S	1F66F5KY8K0A06739	0029062S
1F66F5KYXK0A05883	0029037S	1F66F5KY4K0A06740	0029063S
1F66F5KY1K0A05884	0029038S	1F66F5KY6K0A06741	0029064S
1F66F5KY3K0A05885	0029039S	1F66F5KY8K0A06742	0029065S
1F66F5KY5K0A05886	0029040S	1F66F5KYXK0A06743	0029066S
1F66F5KY7K0A05887	0029041S	1F66F5KY1K0A06744	0029067S
1F66F5KY9K0A05888	0029042S	1F66F5KY3K0A06745	0029068S
1F66F5KY0K0A05889	0029043S	1F66F5KY7K0A06750	0029069S
1F66F5KY7K0A05890	0029044S	1F66F5KY5K0A06746	0029070S
1F66F5KY9K0A05891	0029045S	1F66F5KY8K0A08667	0029071S
1F66F5KY0K0A05892	0029046S	1F66F5KYXK0A08668	0029072S
1F66F5KY2K0A05893	0029047S	1F66F5KY1K0A08669	0029073S
1F66F5KY4K0A05894	0029048S	1F66F5KY8K0A08670	0029074S
1F66F5KY6K0A05895	0029049S	1F66F5KY1K0A09319	0029075S
1F66F5KY8K0A05896	0029050S	1F66F5KY8K0A09320	0029076S
1F66F5KYXK0A05897	0029051S	1F66F5KYXK0A09321	0029077S
1F66F5KY1K0A05898	0029052S	1F66F5KY1K0A09322	0029078S
1F66F5KY3K0A05899	0029053S	1F66F5KY8K0A10323	0029079S
1F66F5KY6K0A05900	0029054S	1F66F5KY3K0A09323	0029080S
1F66F5KY5K0A06732	0029055S	1F66F5KYXK0A10324	0029081S
1F66F5KY7K0A06733	0029056S	1F66F5KY5K0A09324	0029082S
1F66F5KY9K0A06734	0029057S	1F66F5KY1K0A10325	0029083S
1F66F5KY0K0A06735	0029058S	1F66F5KY7K0A09325	0029084S
1F66F5KY2K0A06736	0029059S		



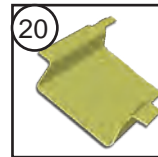
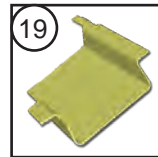
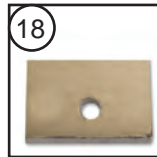
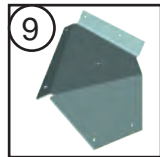
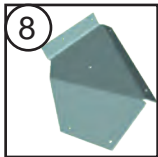
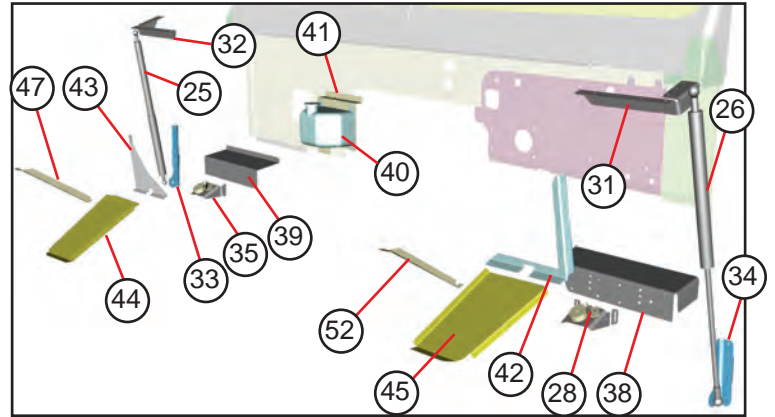
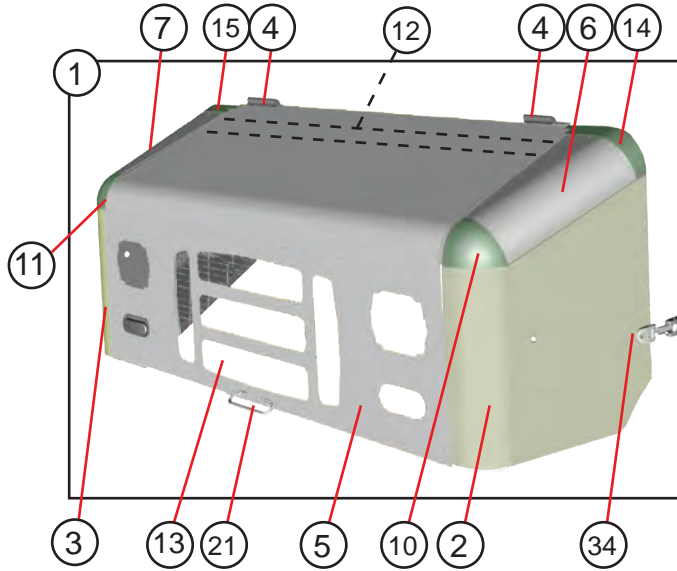
ITEM #	PART #	DESCRIPTION	QTY.	UNIT
1	115084402	BRACKET FUSE BOX AL .102X6.4X8.66	1	EA
2	115005404	PLATE ENGINE BOX SADDLE AL .125X15.74X24.07	1	EA
3	077050402	SHIM AL .25X1.62X20.8	1	EA
4	115005403	ENGINE BOX SIDE ROADSIDE AL .102X19.26X27.88	1	EA
5	115005405	TOE BOARD ROADSIDE AL .125X6.76X34.53	1	EA
6	115005406	ADAPTER TOE BOARD AL .102X7.24X45.63	1	EA
8	115005402	ENGINE BOX TOP AL .125X15.88X33.04	1	EA
9	098005501	ENGINE BOX HOUSING AL .102X20.85X32.55	1	EA
10	115005415	TOE BOARD CURBSIDE AL .102X28.09X29.44	1	EA
11	115005400	DASH WALL CURBSIDE AL .125X25.89X60.38	1	EA
12	115005401	DASH WALL ROADSIDE AL .125X8.46X30.45	1	EA
13	8502000	CORNER CASTING CURBSIDE	1	EA
14	8502001	CORNER CASTING ROADSIDE	1	EA
15	083023402	WINDSHIELD RAIL AL 851100X89	1	EA
16	083005418	SUPPORT RAIL ROADSIDE AL .102X5.74X8.27	1	EA
17	083005419	SUPPORT RAIL CURBSIDE AL .102X5.74X8.27	1	EA
18	077050400	STIFFENER ROADSIDE AL .125X10.93X17.81	1	EA
19	077050401	STIFFENER CURBSIDE AL .125X10.93X17.81	1	EA
20	093005512	DASH SHELF AL .125X13.74X89	1	EA
21	115005417	CAB SKIRT ROADSIDE AL .07X27.29X30.57	1	EA
22	093005440	CAB SKIRT CURBSIDE AL .07X27.28X30.57	1	EA
23	47008545	VENT 2 WAY HINGE-LESS	1	EA
24	47008548	GASKET VENT	1	EA
25	115005416	GUSSET TOE BOARD CURBSIDE AL .125X7.84X14.44	1	EA
26	115005409	FILLER SADDLE LOWER RS AL .125X11.66X14.49	1	EA
27	115005408	SADDLE FILLER AL .125X9.6X13.06	1	EA
28	47007859	HINGE OFFSET	2	EA
29	47000932	LATCH ADJUSTABLE DRAW ZIP STEEL	2	EA
30	117028400	SHIM ENGINE BOX	2	EA
31	145028400	PANEL ENGINE BOX LID AL .102X20.3X33.06	1	EA
32	115005420	CASTING TRANSITION F59	1	EA



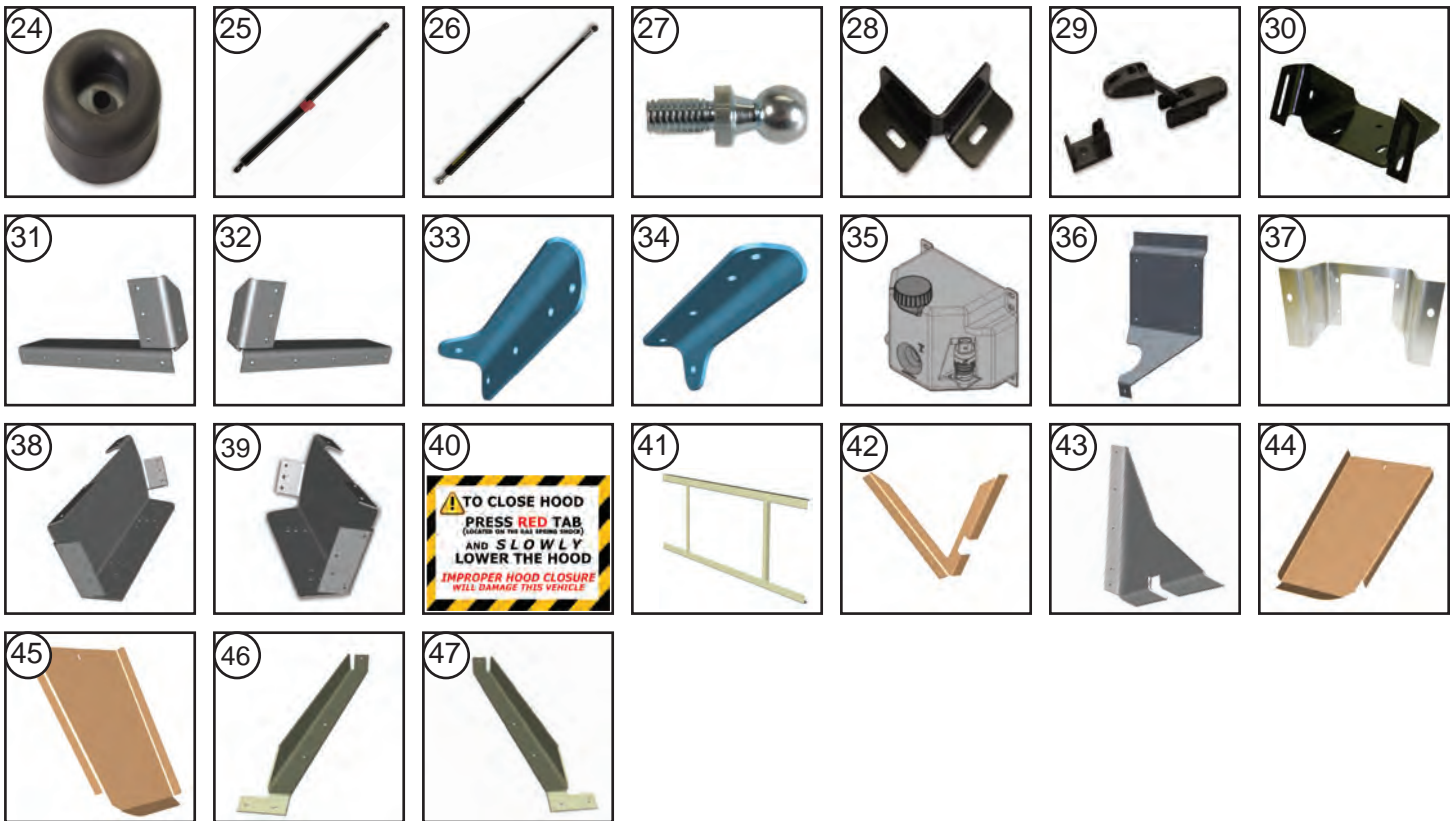
ITEM #	PART #	DESCRIPTION	QTY.	UNIT
1	083023402	WINDSHIELD RAIL AL 851100X89	1	EA
2	088055433	FRAME WINDSHIELD CURBSIDE AL .102X53.45X70.25	1	EA
3	077055404	STIFFENER W/S AL 450540X44.25	2	EA
4	077055401	POST W/S CENTER AL 450540X44.84	1	EA
5	088055405	FRAME WINDSHIELD ROADSIDE AL .102X53.45X69.95	1	EA
6	077055402	GUSSET FRAME AL .125X6.49X7.27	1	EA
7	998555329	GUSSET FRAME AL .125X4.6X9.19	1	EA
8	088076449	BRACKET MOUNTING LH AL .102X2.36X3.9	1	EA
9	097076488	COVER WIPER MOTOR UPPER AL .102X15.06X59.84	1	EA
10	120076400	COVER WIPER MOTOR LOWER AL .102X17.54X59.84	1	EA
11	097076461	COVER END WIPER CURBSIDE AL.102X13.65X20.53	1	EA
12	097076436	PLATE COVER AL .070X6X10	2	EA
13	097076435	PLATE COVER	1	EA
14	097076437	PLATE COVER	1	EA
15	48000504	FILTER FM	2	EA
16	96756400	GLASS WINDSHIELD	2	EA
17	006756400	GLASS SIDE TRIANGLE	2	EA
18	44004303	WEATHER STRIPPING X147.5	2	EA
18	44004309	WEATHER STRIPPING X86.25	2	EA
NS	1109001	INSULATION FIBERGLASS	7.25	FT
NS	100011400	POLYESTER FILL ROOF LINER 4X22.5	3	EA
19	47006610	CLIP PUSH IN .45HEADX.64	52	EA
20	47008802	DUCT VENT INTERIOR CAB/CARGO	1	EA
21	94010316	REINFORCEMENT VENT	2	EA
22	47008547	LOUVER ROUND	2	EA
23	47008546	PANEL MOUNT LOUVER	2	EA



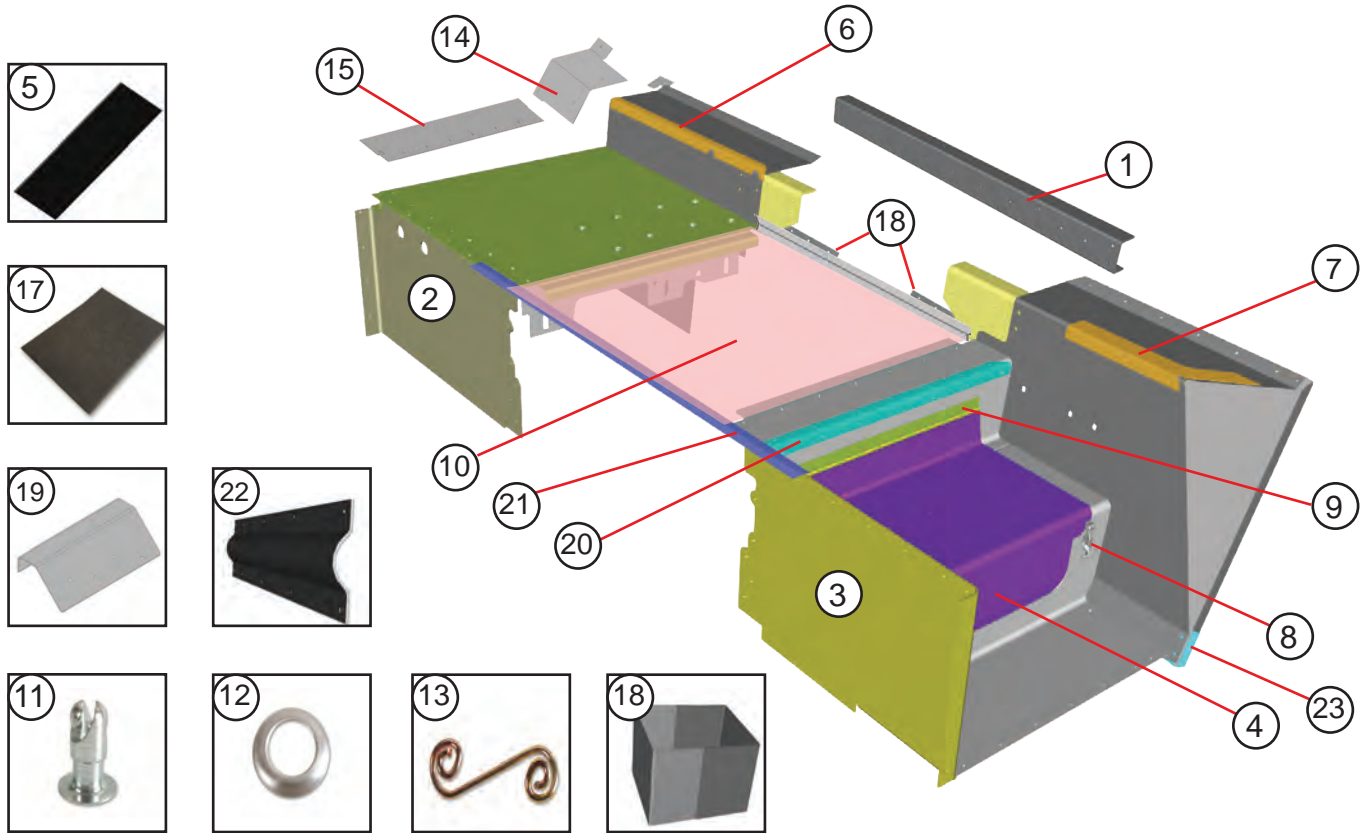
ITEM #	PART #	DESCRIPTION	QTY.	UNIT
1	135027206	I/P WELDMENT F59 W/DOUBLE DIN RADIO	1	EA
2	125027413	BRACKET REINFORCEMENT I/P AL .102X4.32X11.31	1	EA
3	125027416	BRACKET MOUNTING AL .102X7.71X10.08	1	EA
4	093027402	BRACKET STIFFENER AL .125X1.91X12.66	1	EA
5	115027414	PLATE FACE IP AL .102X11.99X18.39	1	EA
6	115027401	IP CLUSTER MOUNT AL .102X3.36X14.5	1	EA
7	115027402	IP CLUSTER MOUNT AL .102X4.86X16.14	1	EA
8	118027417	PLATE ROCKER SWITCH	1	EA
9	115027406	BRACKET LOCK AL .125X2.78X4.95	1	EA
10	128027421	PLATE ACC COVER RADIO AL .102X9X11	1	EA
11	135093401	PLATE COVER I/P BACK AL .102X1X3	1	EA
12	1111513	PLUG HL BLACK	1	EA
13	1111520	PLUG HL BLACK	1	EA
14	46026378	RECEPTICLE 12V POWER W/TETHER SS BODY	1	EA
15	555001413	PANEL CONTROL HEATER (SEE PAGE 27)	1	EA
16	47009283	SHELF WORK STATION ASSEMBLY W/DIVIDER & LOCK	1	EA
17	46023506	PLUG ROCKER SWITCH BLACK	3	EA
18	46004416	GROMMET 1ID .25 MATERIAL THICKNESS	2	EA
19	115027407	BRACKET SPACER STL .25X3.14X5.45	1	EA
20	118027415	GUSSET AL .125X5.72X11.26	1	EA
21	155027400	COVER TOP I/P BLACK AL .102X1X3	1	EA
22	135027400	COVER TOP I/P AL .102X12.78X20.47	1	EA



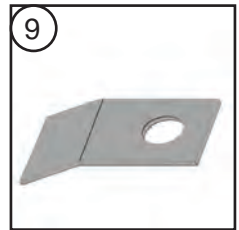
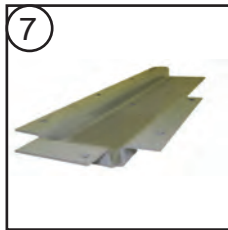
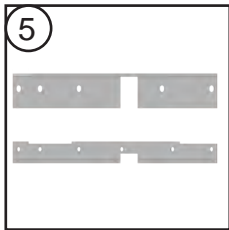
ITEM #	PART #	DESCRIPTION	QTY.	UNIT
1	115017200	HOOD ASSEMBLY	1	EA
2	088017414	HOOD SKIRT AL .07X30.78X33.11 ROADSIDE	1	EA
3	088017415	HOOD SKIRT AL .07X30.78X33.11 CURBSIDE	1	EA
4	47007852	HINGE ASSEMBLY	2	EA
5	115017400	PANEL HOOD AL .07X53.36X72	1	EA
6	088017416	COWL HOOD ROADSIDE AL .07X15.91X22.28	1	EA
7	088017417	COWL HOOD CURBSIDE AL .07X15.91X22.28	1	EA
8	95817312	GUSSET CORNER ROADSIDE AL .07X13.52X14.72	1	EA
9	95817313	GUSSET CORNER CURBSIDE AL .07X13.52X14.72	1	EA
10	45100057	CORNER CAST KNEE COWL FRONT ROADSIDE	1	EA
11	45100058	CORNER CAST KNEE COWL FRONT CURBSIDE	1	EA
12	167017413	STIFFENER HOOD AL 450015X68.62	1	EA
13	45700101	GRILLE WIRE MESH 20.5X38.81	1	EA
14	45100060	CAP COWL END ROADSIDE	1	EA
15	45100061	CAP COWL END CURBSIDE	1	EA
17	91617304	PLATE TAP	2	EA
18	96717312	SHIM HOOD AL .125X.62X1.88	2	EA
19	115017403	STIFFENER HOOD ROADSIDE	1	EA
20	115017404	STIFFENER HOOD CURBSIDE	1	EA
21	90187300	GRAB HANDLE	1	EA
NS	44004077	SEAL TAPE #1458BTXFT	4.42	FT



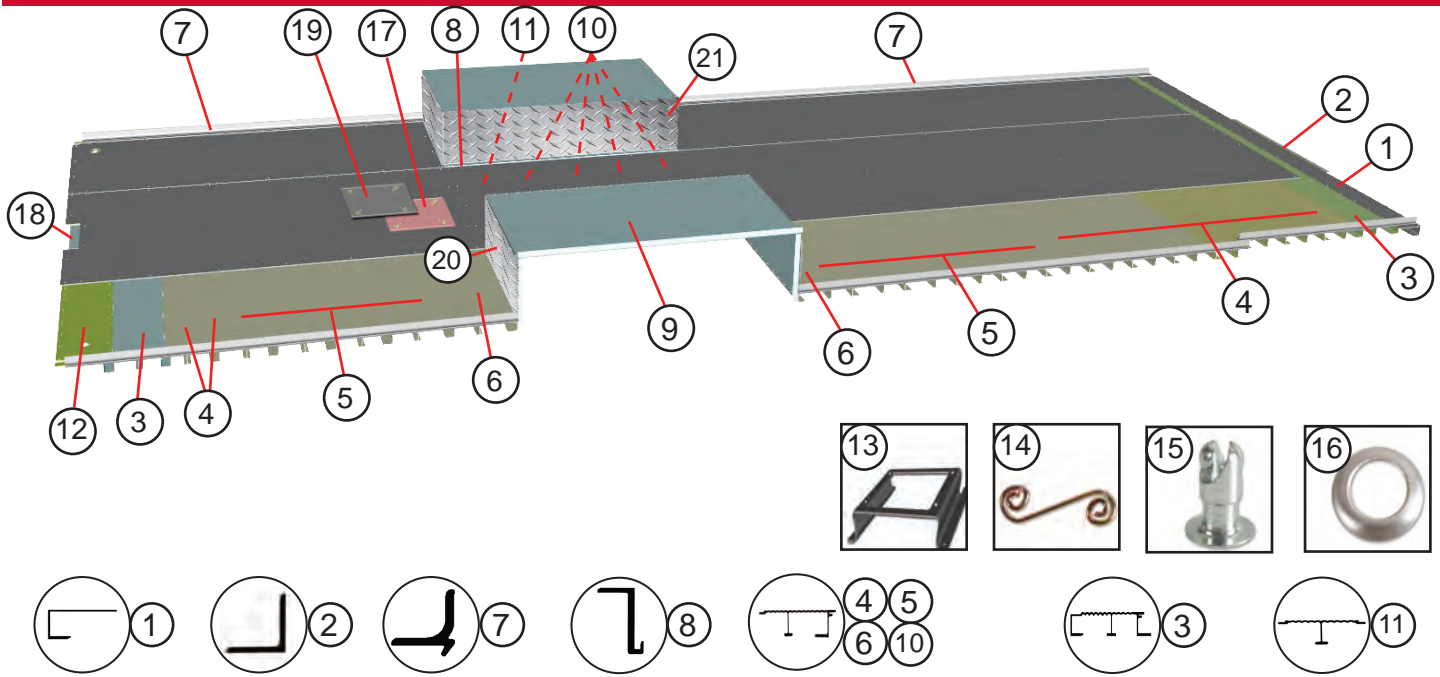
ITEM #	PART #	DESCRIPTION	QTY.	UNIT
24	44002004	BUMPER RUBBER HOOD REST	2	EA
25	47006116	GAS SPRING WITH LOCK 150LB 28/16.5 IGS	1	EA
26	47006117	GAS SPRING WITH OUT LOCK 150LB 28/16.5 IGS	1	EA
27	40900019	STUD BALL SUSPENSION	4	EA
28	96713300	ANGLE STEEL STOP HOOD REST	2	EA
29	47000613	HOOD LATCH	2	EA
30	077150400	BRACKET SUPPORT HOOD REST	2	EA
31	124016401	BRACKET GAS SPRING AL.125X3.6X16.48 ROADSIDE	1	EA
32	124016402	BRACKET GAS SPRING AL.125X3.6X16.48 CURBSIDE	1	EA
33	124016403	BRACKET HOOD LOWER AL.188X2.85X6.4 CURBSIDE	1	EA
34	124016404	BRACKET HOOD LOWER AL.188X2.85X6.4 ROADSIDE	1	EA
35	47004505	WASHER BOTTLE WITH PUMP	1	EA
36	165063401	BRACKET WASHER BOTTLE AL .102X9.59X19.69	1	EA
37	002080400	BRACKET WATER VALVE	1	EA
38	115026400	SPLASH PAN ROADSIDE	1	EA
39	077260404	SPLASH PAN CURBSIDE	1	EA
40	43000903	HOOD PROPER INSTRUCTIONS LABEL	1	EA
41	088017255	SUPPORT ASSEMBLY GRILL	1	EA
42	088017431	SUPPORT SPLASH PAN AL .102X13.07X16.83	1	EA
43	088017436	SUPPORT SPLASH PAN AL .102X16.07X16.83	1	EA
44	088017425	SPLASH PAN AL .102X19.43X26.95 ROADSIDE	1	EA
45	115017401	SPLASH PAN AL .102X19.93X26.95 CURBSIDE	1	EA
46	088017437	STRAP AL .125X2.98X25.76 ROADSIDE	1	EA
47	088017438	STRAP AL .125X2.98X25.76 CURBSIDE	1	EA



ITEM #	PART #	DESCRIPTION	QTY.	UNIT
1	077240400	CROSS MEMBER CENTER AL 456106X41	1	EA
2	145024200	STEP ASSEMBLY ROADSIDE 93W F59	1	EA
3	115024202	STEP ASSEMBLY CURBSIDE 93W F59	1	EA
4	115024411	LID BATTERY ALD .125X22.25X22.78	1	EA
5	96724608	DAMPENING PAD 45200007X9X20	1	EA
6	118019400	TRIM TOE BOARD ALD.08X2.63X30.58 ROADSIDE	1	EA
7	118019403	TRIM TOE-BOARD AL.07X7.89X22.64 CURBSIDE	1	EA
8	1113334	LATCH STEPS	2	EA
9	006324498	HINGE AL .075X1.12X1.75X21	1	EA
10	105024209	TRANSVERSE FLOOR WELDMENT	1	EA
11	40900080	STUD	6	EA
12	40900081	GROMMET HALF	6	EA
13	40900082	SPRING	6	EA
14	083005459	PLATE FILLER AL .07X5.83X13.64 LH	1	EA
15	083005452	PLATE FILLER AL .07X4.08X27.58	1	EA
17	42002055	INSULATION SOUND ABSORBING FLOOR MAT 60X95	2	EA
18	147024418	SPLASH SHIELD BATTERY 45200014X11X17	1	EA
19	147024417	BRACKET SPLASH SHIELD	1	EA
20	090019403	TRIM STEP ALD .08X2.68X27.25 CURBSIDE	1	EA
21	118019404	TRIM MAT @ O LINE ALD. .08X2.29X63.41	1	EA
22	03M545058	STIFFENER SLIDING WINDOW AL 450003X29.5 DLH	2	EA
23	084024415	RISER CORNER AL. .125X3.5X3.61	1	EA



ITEM	PART #	DESCRIPTION	QTY.	UNIT
1	47012668	SEAT BASE ASSEMBLY 3PNT NON TILT	1	EA
2	47004631	SEAT MAGNUM 2000 W/ LH ARM REST	1	EA
3	47004972	SEAT HEAD BACK/REST TFTX BLACK	1	EA
4	47004973	SEAT TFTX BLACK FOLDING 16IN. CENTER	1	EA
5	91614300	ANGLE MOUNTING .188X2.84X19.1	1	EA
6	48007902	SEAT BELT W/BOOT 3PNT ORANGE	1	EA
7	98M582030	BRACE SUPPORT STEEL 7GAX9.43X23.43	1	EA
8	47007912	SEAT BELT W/BOOT 3PNT ORANGE	2	EA
9	130070403	WASHER (SQUARE) JUMP SEAT BASE AL.125X1.5X1.6	2	EA
10	145069404	STIFFENER SEAT JUMP AL 450039X72.13	1	EA
NS	083069404	STIFFENER SEAT JUMP AL 450043X72.12	1	EA

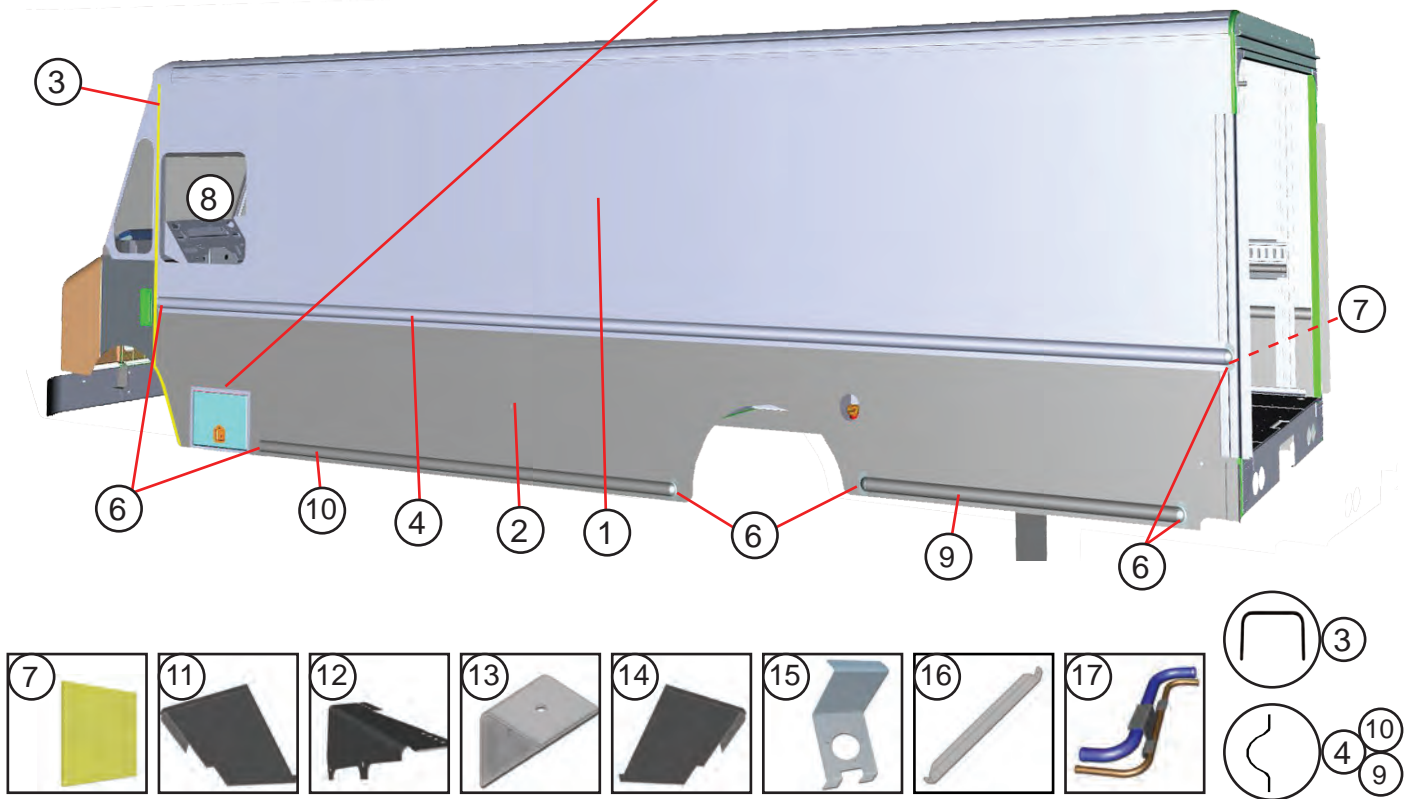


ITEM #	PART #	DESCRIPTION	QTY	UNIT
1	083033509	BEAM @ O LINE AL 450088X89.38	1	EA
2	001730412	ANGLE STEP X32	1	EA
3	45051003	BEAM AL FLOOR FEM-LAP 7X92.19	2	EA
4	45040203	BEAM AL FLOOR M-FEM 8X92.1	11	EA
5	45040103	BEAM AL FLOOR M-FEM 9X92.19	11	EA
6	45040503	BEAM AL FLOOR M-FEM 8.5X92.19	2	EA
7	45030300	ANGLE ATTACH FLOOR TO SIDE X241	2.09	EA
8	95869302	ANGLE W/BX ATTACH AL 450018X44	2	EA
9	95869202	WHEEL BOX ASSEMBLY 93W 10" AL .102	2	EA
10	95869303	BEAM AL FLOOR H/D RIB 9X91.19	4	EA
11	95869304	BEAM AL FLOOR RIB 8X55.62	1	EA
12	128033416	PLATE FILLER REAR AL.102X7.3X92.19	1	EA
13	125012401	SUPPORT ACCESS DOOR AL.125X11.48X17.74	1	EA
14	40900082	SPRING	4	EA
15	40900080	STUD	8	EA
16	40900081	GROMMET HALF	8	EA
17	095032209	ACCESS DOOR ASSEMBLY	1	EA
18	89308450	ANGLE TIE DOWN REAR STEEL .25X2X3X47	1	EA
19	145100417	PANEL ACCESS DOOR OVERLAY ALD (ABOVE ITEM 21)	1	EA
20	073101402	WHEEL BOX OVERLAY FRONT AND REAR ALD .08X9.75X24.52	4	EA
21	073101403	WHEEL BOX OVERLAY CENTER PANELS ALD .08X9.62X49.21	2	EA

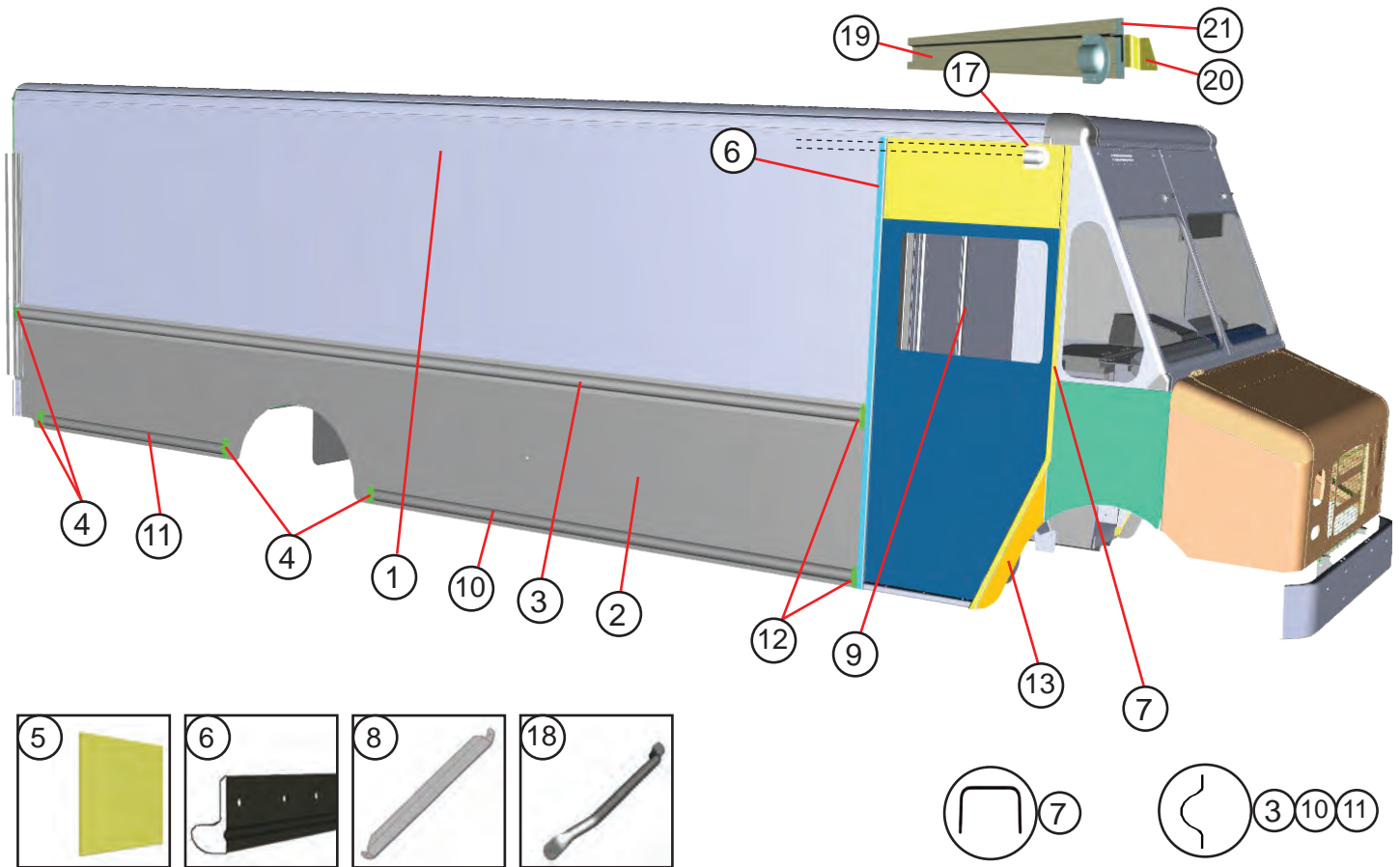
FLOOR OVERLAY - DIAMOND PLATE

FRONTROADSIDE	FRONT CENTER	FRONT CURBSIDE	REAR ROADSIDE	REAR CENTER	REAR CURBSIDE
138100452	145100415	138100450	138100455	145100416	138100453

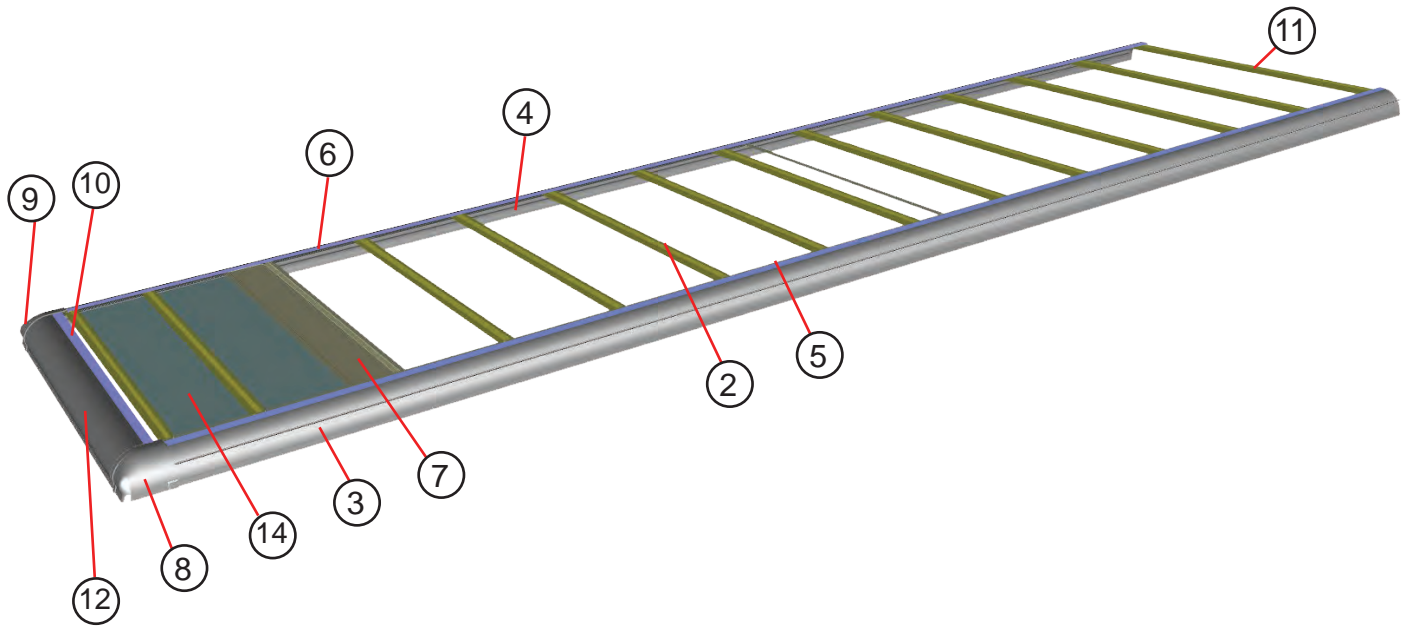
OPTIONAL BATTERY BOX - SEE PAGE 35



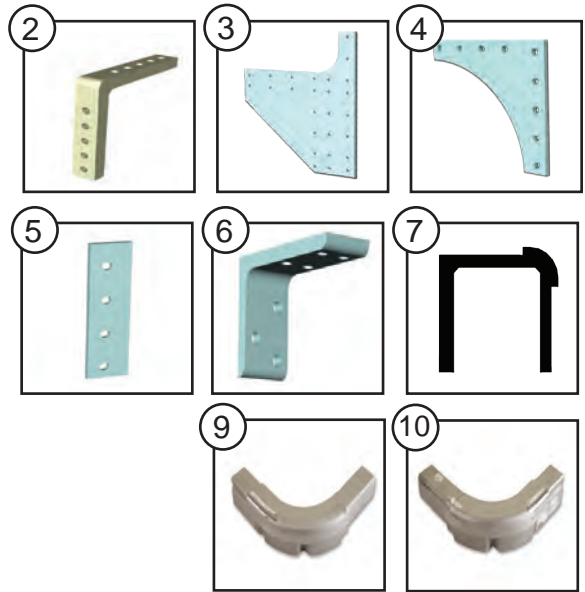
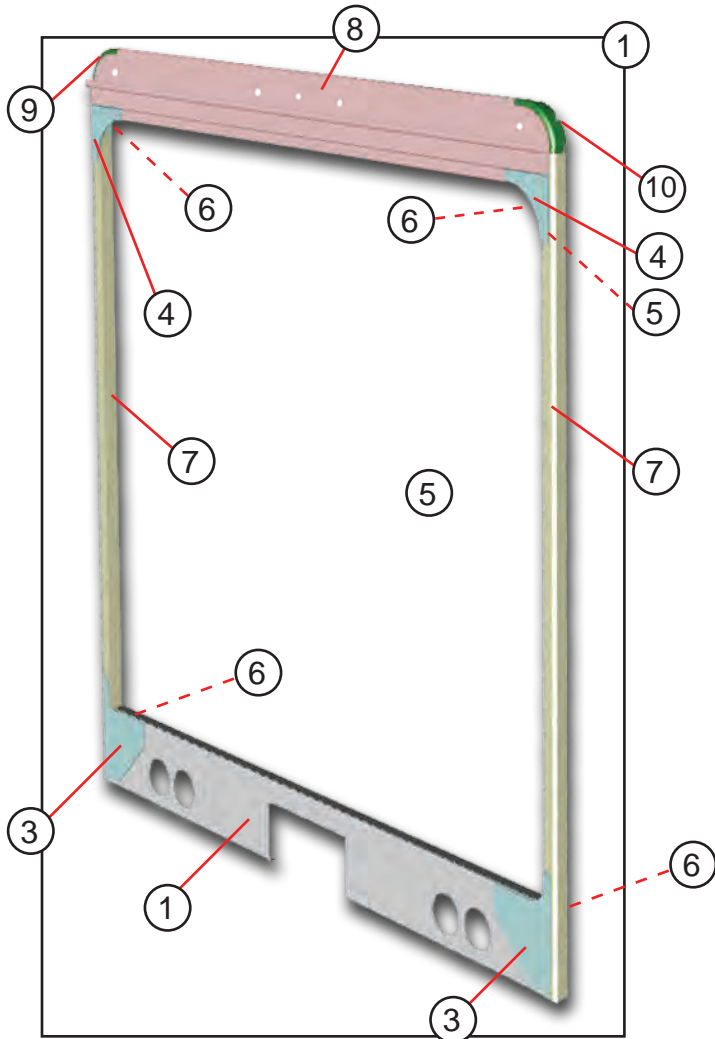
ITEM #	PART #	DESCRIPTION	QTY	UNIT
1	088046432	SIDE UPPER AL .102X60X314.31	1	EA
2	155045407	SIDE LOWER (CALL FOR REAR QUARTER PANEL ONLY)	1	EA
3	088044200	D POST ASSEMBLY	1	EA
4	088039333	RUB RAIL UPPER	1	EA
5	1100800	END CAP FORWARD	1	EA
6	1100799	END CAP REAR	5	EA
7	7600165	FILLER PLATE (UNDER RUB RAIL END-CAPS)	2	EA
8	13342990002	WINDOW SLIDING	1	EA
9	148039435	RUB RAIL LOWER REAR AL 450002X70.32	1	EA
10	140110400	RUB RAIL LOWER FWD AL 450002X135.5	1	EA
11	115012403	SPLASH PAN FUEL FILL AL .102X27.21X28.42	1	EA
12	115012406	HANGER ANGLE EXTENSION AL .07X6.6X12.96	1	EA
13	82312025	SUPPORT S/PAN	1	EA
14	115012403	SPLASH PAN FUEL FILL AL .102X27.21X28.42	1	EA
15	115012402	BRACKET FUEL FILL SUPPORT AL .25X11.25X13.36	1	EA
16	001744400	GUSSET FLOOR TO SIDE	5	EA
17	115012400	FUEL FILL EXTENSION F59	1	EA



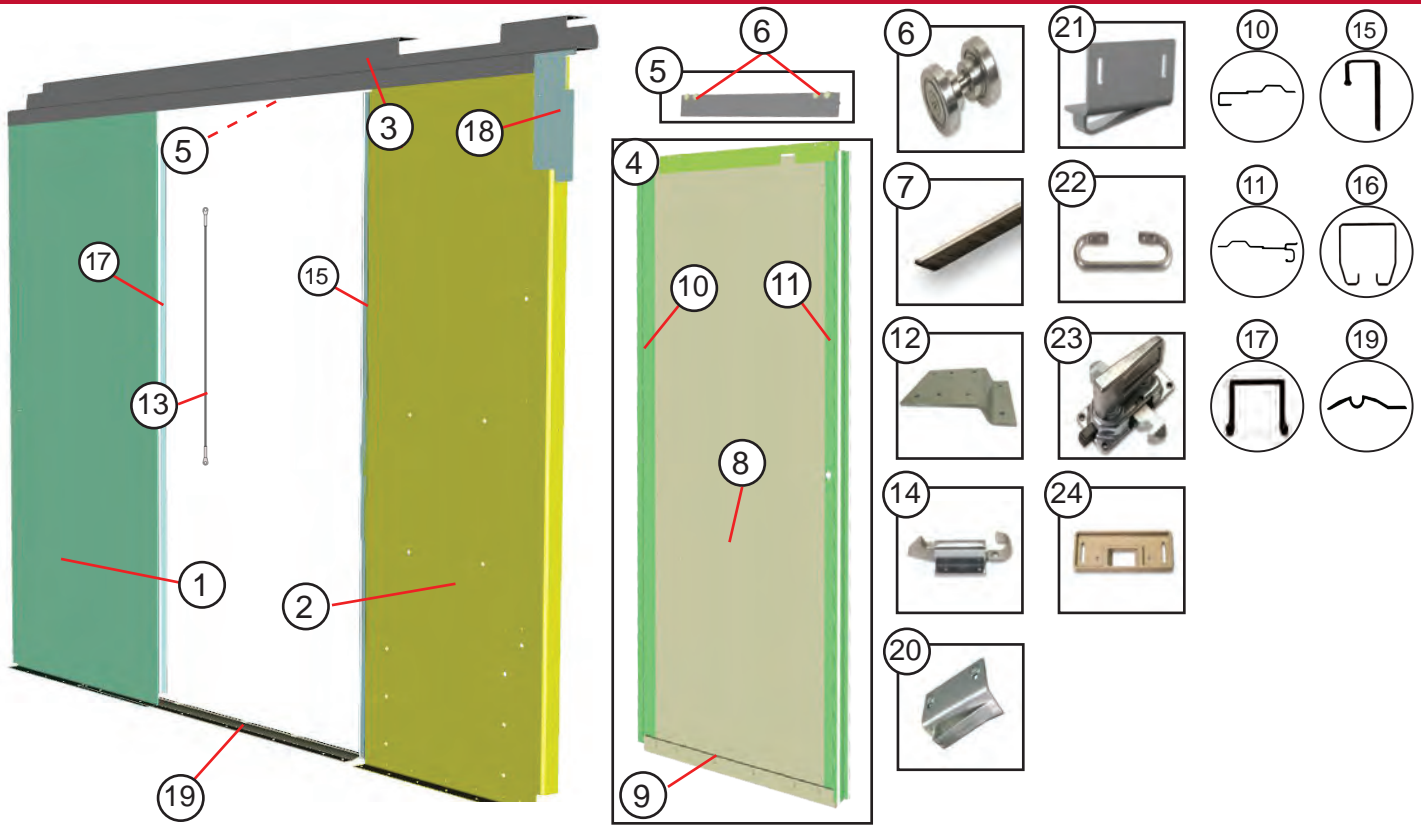
ITEM #	PART #	DESCRIPTION	QTY	UNIT
1	088038332	SIDE UPPER	1	EA
2	155037412	SIDE LOWER (CALL FOR REAR QUARTER PANEL ONLY)	1	EA
3	088039311	RUB RAIL	1	EA
4	1100799	END CAP REAR	4	EA
5	7600165	FILLER PLATE (UNDER RUBRAIL ENDCAP)	2	EA
6	077400401	B POST 85H AL 450274X99.62	1	EA
7	077410401	DOOR POST RH	1	EA
8	001744400	GUSSET FLOOR TO SIDE	5	EA
9	13342990001	WINDOW SLIDING SASH RH	1	EA
10	140110400	RUBRAIL LOWER FORWARD AL450002X135.5	1	EA
11	148039435	RUBRAIL LOWER REAR AL450002X70.32	1	EA
12	1100800	END CAP FORWARD	2	EA
13	098022401	SKIRT TAIL CURBSIDE	1	EA
NS	45210009	PANEL DOOR INNER PLASTIC 39.4X40.02 RH	1	EA
17	47008533	VENT CAP	1	EA
18	47001082	GRAB HANDLE 1" AL 31.875L 2.75DP ANZ	1	EA
19	083042401	STIFFENER HEADER AL450328X73.75 RH	1	EA
20	96742302	CLIP AL Z .102X3X9.57	1	EA
21	45100074	CAP RAIL END VENT	1	EA



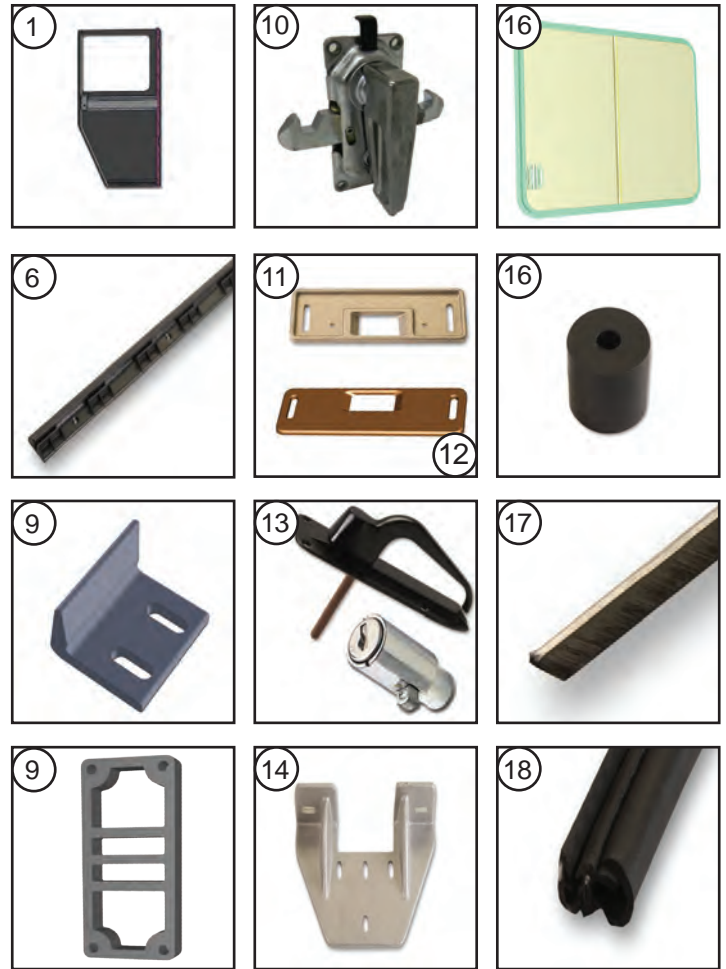
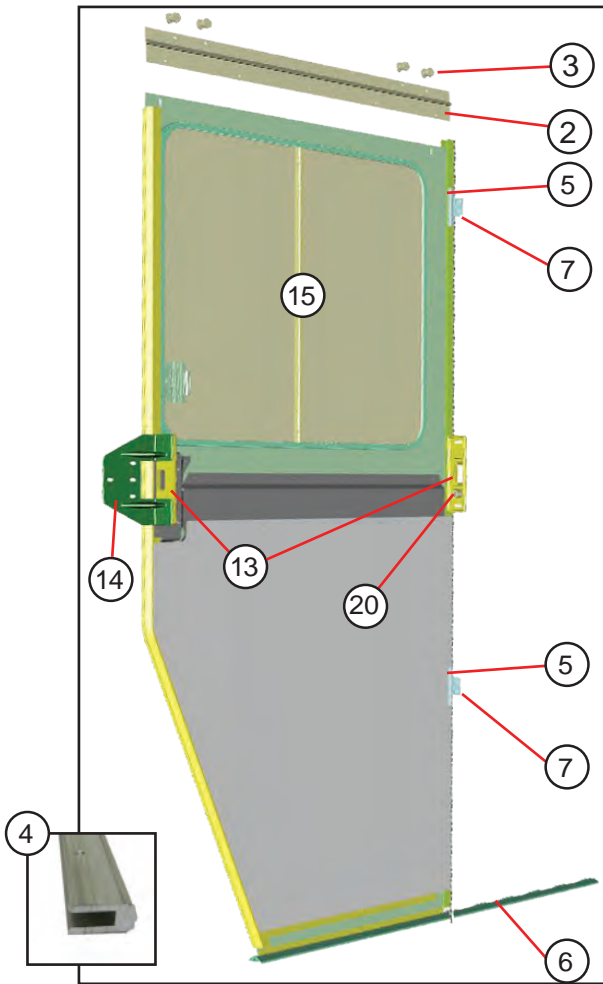
ITEM #	PART #	DESCRIPTION	QTY	UNIT
1	47006610	CLIP PLASTIC FLAT HEAD	52	EA
2	45601603	ROOF BOW STEEL 16GA SEC456016 X89.12	13	EA
3	098010421	ROOF RAIL 22' 456144X309.25 ROADSIDE	1	EA
4	098010422	ROOF RAIL 22' 456144X309.25 CURBSIDE	1	EA
5	088010524	RAIL INTERLOCK ROADSIDE	1	EA
6	088010525	RAIL INTERLOCK CURBSIDE	1	EA
7	89310478	ROOF BEAM @ O LINE	1	EA
8	077100400	CORNER CASTING ROADSIDE	1	EA
9	077100401	CORNER CASTING CURBSIDE	1	EA
10	89310506	NOSE ROOF INTERLOCK	1	EA
11	89310507	ROOF INTERLOCK TRANSOM	1	EA
12	083010400	ROOF NOSE	1	EA
NS	45200851	ROOF SKIN FIBERGLASS .075X82.25XFT	25.98	FT
14	083011470	ROOF LINER CAB	1	EA



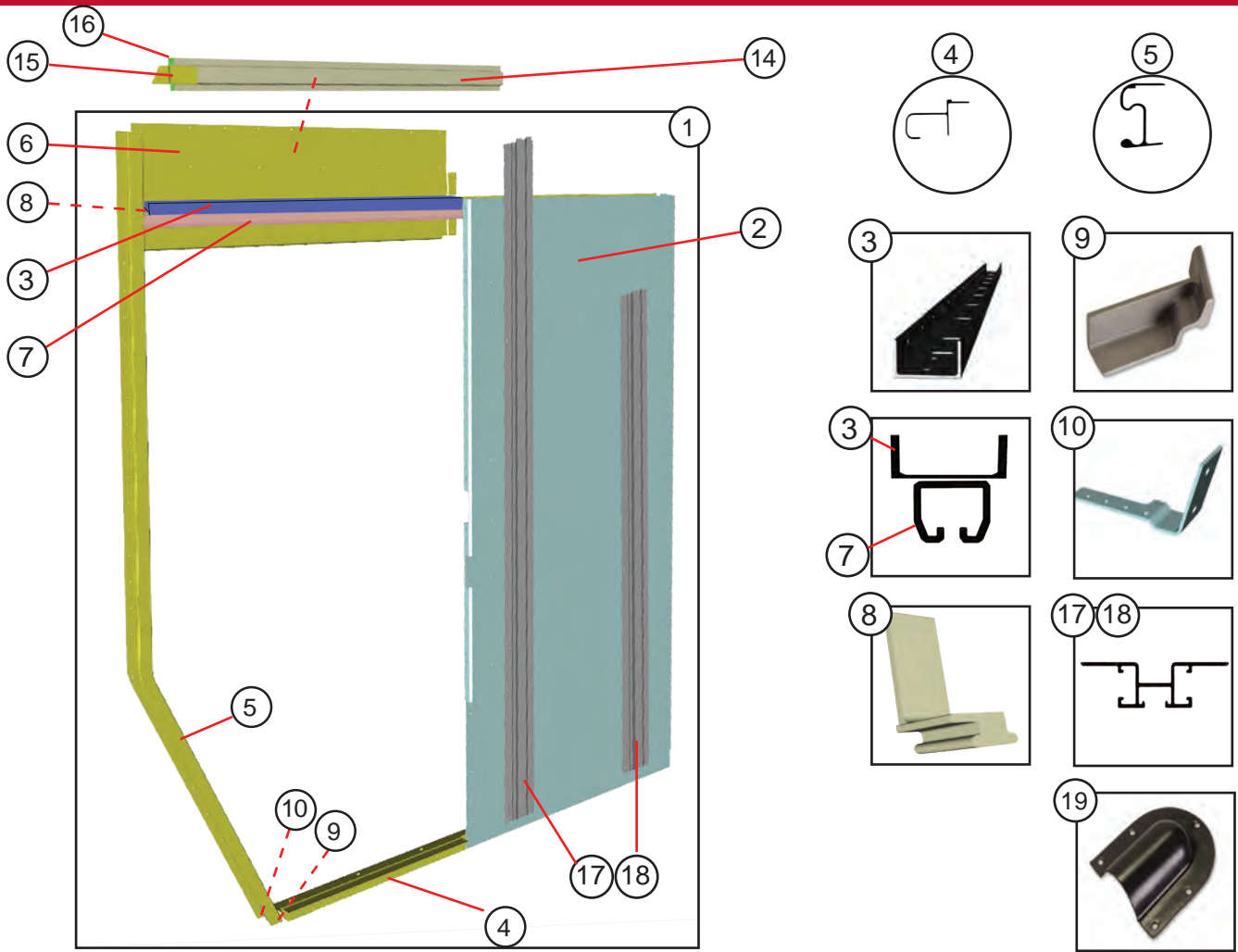
ITEM #	PART #	DESCRIPTION	QTY	UNIT
1	170053503	SILL REAR 93W AL 450024X89	1	EA
2	1126108	CLIP ANGLE .62X5.75X5.75X1	2	EA
3	7400206	GUSSET RUD LOWER .25X9.88X13.5	2	EA
4	7400207	GUSSET RUD UPPER .25X7.12X7.38	2	EA
5	7400208	SHIM GUSSET .188X1.38X6	2	EA
6	89353301	CLIP HOLDER 450198X1.25 LH/RH	2	EA
7	160053402	CHANNEL POST CORNER AL 450359X91.88	2	EA
8	173053502	TRANSOM AL 450266X91.62	1	EA
9	45100009	CORNER CAST ROADSIDE	1	EA
10	45100010	CORNER CAST CURBSIDE	1	EA



ITEM #	PART #	DESCRIPTION	QTY	UNIT
1	118070406	PANEL BULKHEAD AL.102X35.34X81.17 ROADSIDE	1	EA
2	118070403	PANEL BULKHEAD AL.102X24.13X81.38 CURBSIDE	1	EA
3	118070410	HEADER BULKHEAD ZEE AL.102X8.9X92.4 ROADSIDE	1	EA
4	118070200	DOOR ASSEMBLY BULKHEAD NO/WINDOW F/PULL 32"	1	EA
5	088070252	HANGER ASSEMBLY W/SEAL BULKHEAD 3.34X32.13	1	EA
6	47006595	BEARING ASSEMBLY	4	PR
7	44008050	SEAL BRUSH TYPE B	1	EA
8	118070403	PANEL DOOR BULKHEAD AL.125X29.37X77.26	1	EA
9	088070516	WEAR STRIP BULKHEAD AL452002X33.75	1	EA
10	118070405	EDGE BULKHEAD DOOR AL450504X77.26 CURBSIDE	1	EA
11	118070404	EDGE BULKHEAD DOOR AL450503X77.26 ROADSIDE	1	EA
12	92537309	PLATE MOUNTING LATCH AL .125X3X5.29	1	EA
13	1113603	CABLE BULKHEAD.125X29 BLACK VINYL .375EYE	1	EA
14	1113046	LATCH FINGER PULL	1	EA
15	118070407	CHANNEL BULKHEAD AL450502X76.15 CURBSIDE	1	EA
16	088070251	TRACK DOOR ASSEMBLY 32" SLID	1	EA
17	118070408	JAMB AL450326X78.37 ROADSIDE	1	EA
18	118070411	PLATE BULKHEAD AL.055X3.56X12.29 CURBSIDE	1	EA
19	96770316	GUIDE DOOR FLOOR AL 450414X47.88	1	EA
20	98770201	STRIKER WELDMENT BULKHEAD ASSEMBLY	1	EA
21	98770202	STRIKER WELDMENT BULKHEAD ASSEMBLY	1	EA
22	90187300	GRAB HANDLE	1	EA
23	1113016	LOCK MECHANISM INNER	1	EA
24	45100093	STRIKER BRONZE D/S REAR	2	EA



ITEM #	PART #	DESCRIPTION	QTY.	UNIT
1	118060201	SIDE DOOR ASSEMBLY	1	EA
2	96760203	HANGER ASSEMBLY	1	EA
3	47006595	BEARING (SEE PAGE 16 ITEM 6 FOR ILLUSTRATION)	4	PR
4	98760306	WEAR STRIP D/S 450008X25.75	1	EA
5	45200206	SPACER ANTI RATTLE	2	EA
6	47002766	DOOR GUIDE NYLON	1	EA
7	45300377	CLIP ANTI RATTLE	2	EA
NS	44004104	SEAL RUBBER RS FORWARD	1	EA
9	087181	KASON SPACER	1	EA
10	1113016	LATCH	1	EA
11	45100093	STRIKER BRONZE CAST D/S REAR	2	EA
12	45100163	STRIKER BRONZE CAST D/S REAR	1	EA
13	47000689	HANDLE BLACK (REMOVABLE LOCK CYLINDER 47001181)	1	EA
14	45100094	BRACKET STRIKER CAST D/S	2	EA
15	13342990001	WINDOW SLIDING	1	EA
16	44002011	RUBBER BUMPER	1	EA
17	44008050	SEAL BRUSH TYPE B 1X83.9	1	EA
18	1107270	SEAL TRIM 1426-X999	8	FT



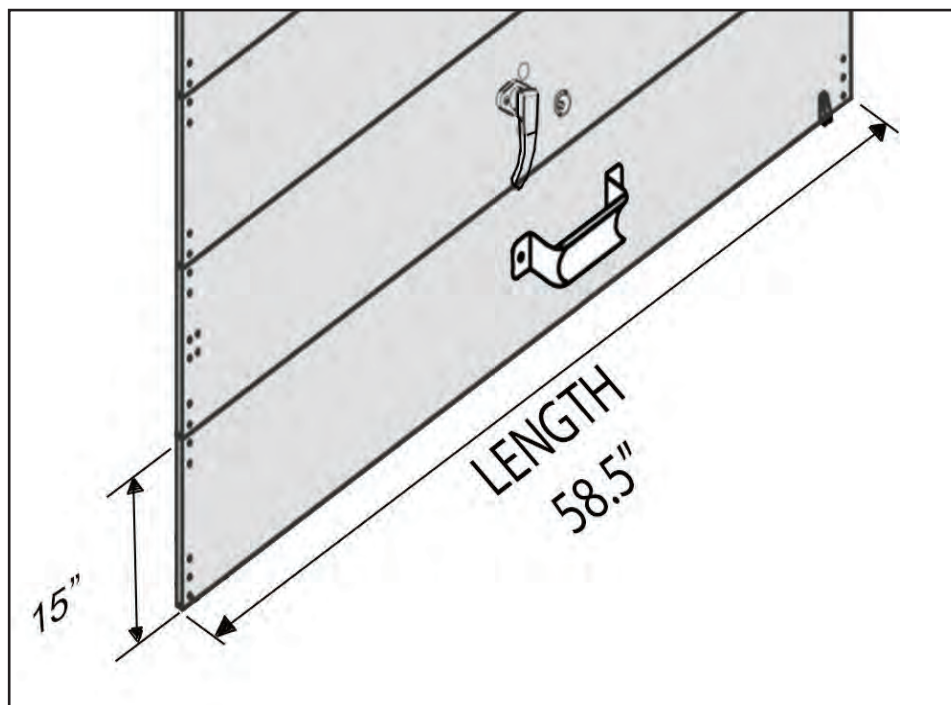
ITEM #	PART #	DESCRIPTION	QTY.	UNIT
1	077041209	DOOR POCKET ASSEMBLY	1	EA
2	118041401	PANEL DOOR POCKET	1	EA
3	96741303	CHANNEL HEADER	1	EA
4	98741353	NOSE STEP	1	EA
5	077410401	DOOR POST	1	EA
6	077410409	PANEL HEADER	1	EA
7	96741202	TRACK ASSEMBLY	1	EA
8	45100049	GUSSET HEADER CHANNEL TO DOOR POST	1	EA
9	45100105	DOOR POST CASTING LOWER	1	EA
10	001741408	REINFORCEMENT BRACKET	1	EA
11	44004060	SEAL BRUSH TYPE C 1.5X82	1	EA
12	44008050	SEAL BRUSH TYPE B 1X83.9	1	EA
NS	45900001	PLUG WOOD RUB RAIL	1	EA
14	083042400	STIFFENER HEADER	1	EA
15	96742302	CLIP ZEE	1	EA
16	45100074	CAP RAIL END	1	EA
17	093048406	STIFFENER 450595X58.5	1	EA
18	093048412	STIFFENER AL 450595X79.5	1	EA
19	47008533	VENT CAP	1	EA

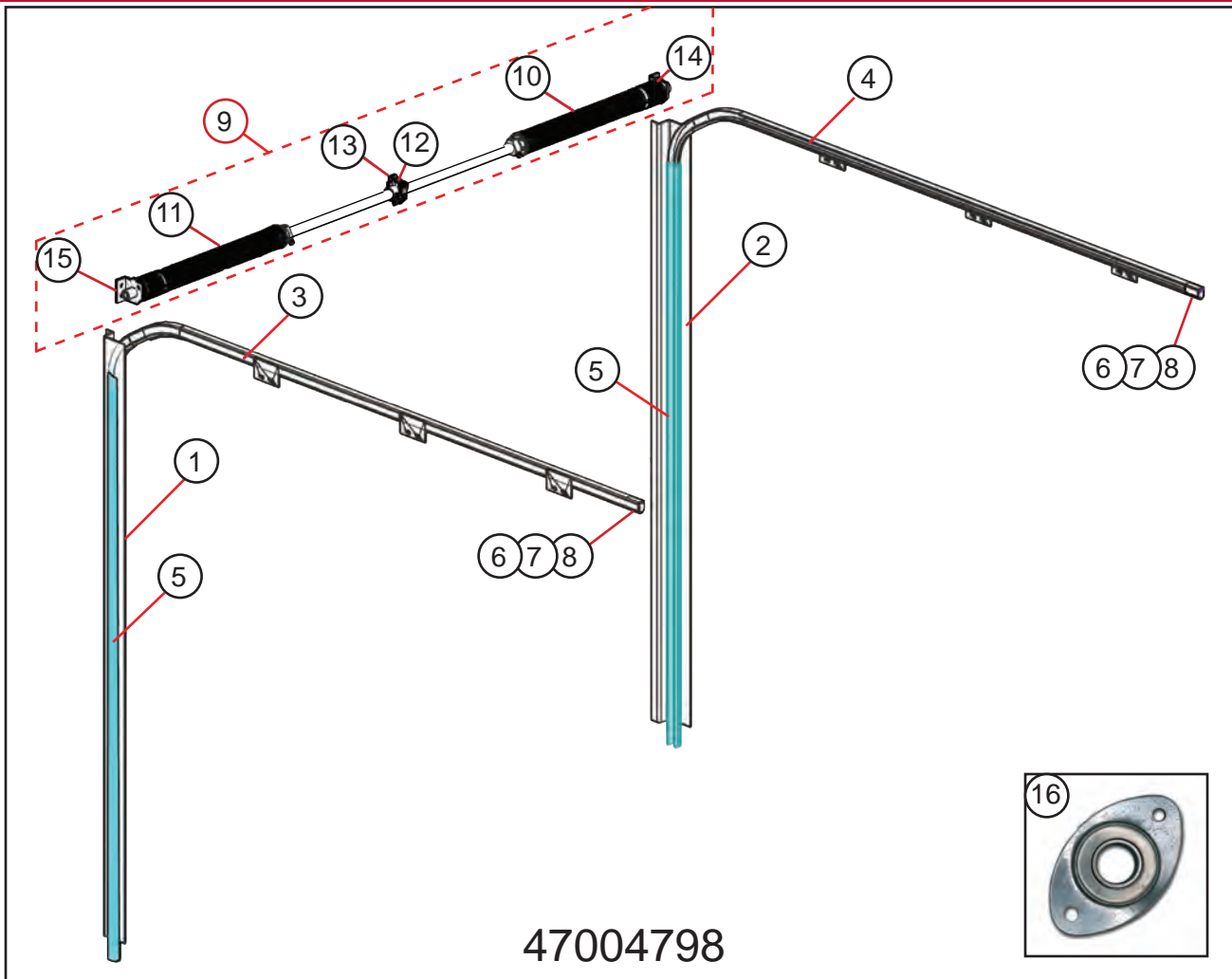


ROLL-UP DOOR SERIAL NUMBER LOCATION

WHEN ORDERING PARTS FOR ROLL-UP DOORS,
PLEASE PROVIDE THE FOLLOWING INFORMATION.
THE SERIAL NUMBER LOCATED ON THE INTERIOR TOP PANEL ROADSIDE EDGE.
THE LENGTH AND HEIGHT OF THE DOOR PANEL(S) TO BE ORDERED.

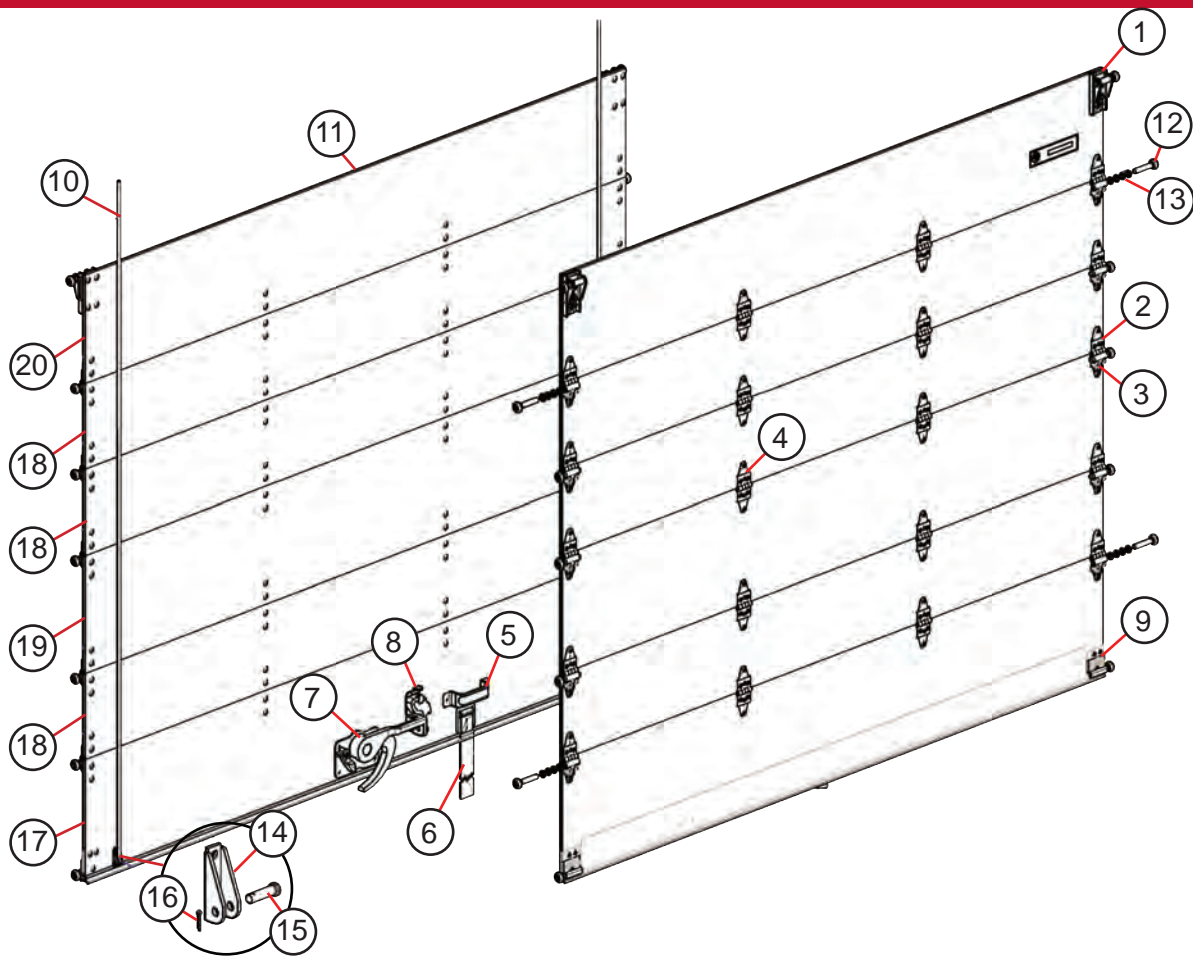
IN THE EVENT OF A DAMAGED, UN-READABLE OR MISSING SERIAL NUMBER,
PLEASE TRY TO PROVIDE THE COMPOSITION DETAILS OF THE DOOR PANEL.
(PLASTIC COATED, ALUMINUM CLAD, PLYWOOD, ETC.)



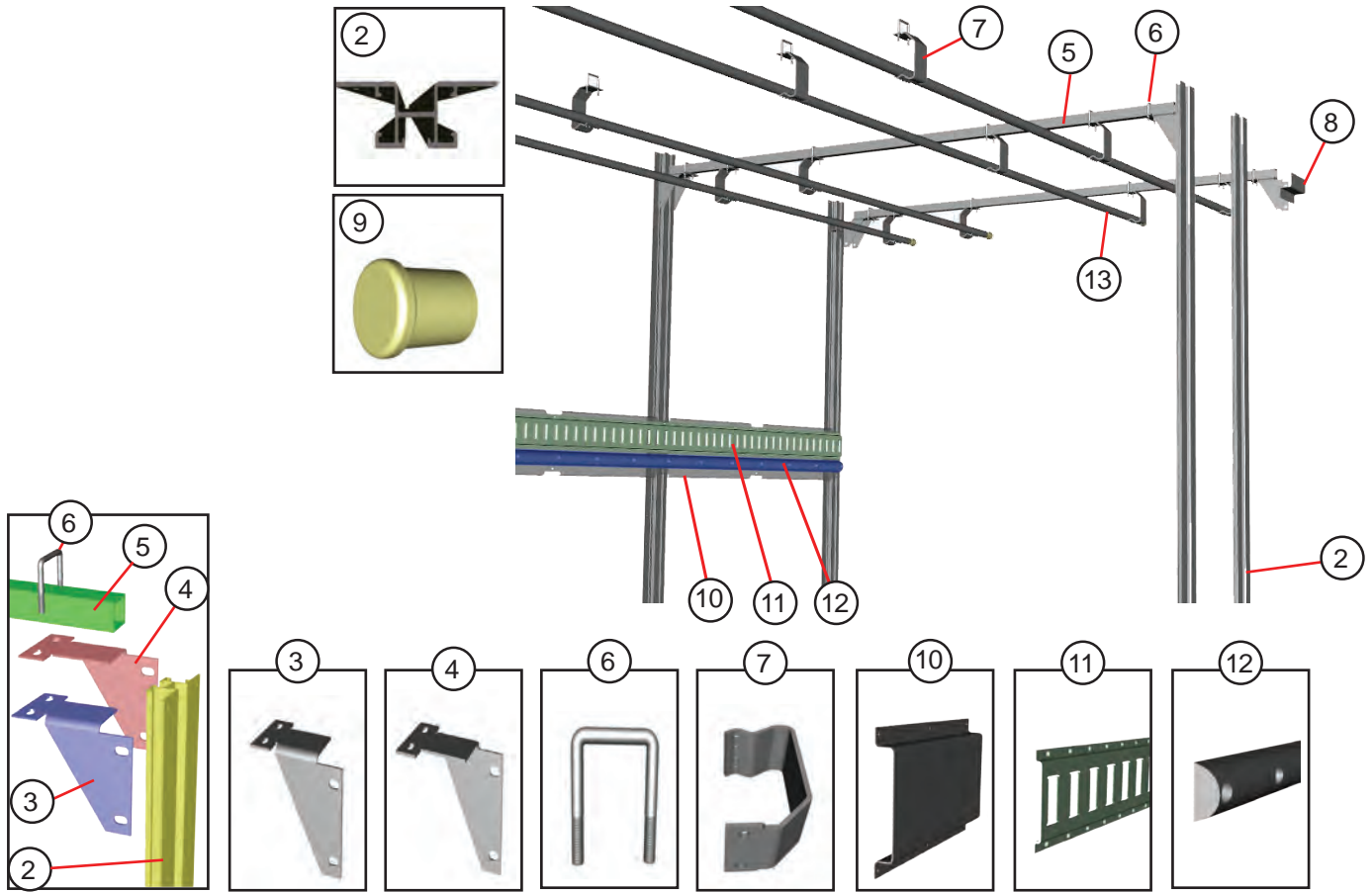


47004798

ITEM #	PART #	DESCRIPTION	QTY.	UNIT
1	Call w/ S/N	VERTICAL TRACK ASSEMBLY - 47004798 - CURBSIDE	1	EA
2	Call w/ S/N	VERTICAL TRACK ASSEMBLY - 47004798 - ROADSIDE	1	EA
3	Call w/ S/N	HORIZONTAL TRACK ASSEMBLY - 47004798 - CURBSIDE	1	EA
4	Call w/ S/N	HORIZONTAL TRACK ASSEMBLY - 47004798 - ROADSIDE	1	EA
5	Call w/ S/N	BLACK BRUSH W/ EPDM SEAL ASSY W/ ALUM RETAINER	2	EA
6	47107125	1" BLACK TRACK STOP	2	EA
7	47106745	1/4-20 x 1 3/4" Hex Head Bolt	2	EA
8	47106746	1/4-20 Kep Nut	2	EA
9	Call w/ S/N	COUNTERBALANCE ASSEMBLY # 47004798	1	EA
10	Call w/ S/N	SPRING W/ PLUGS, .182 X 2 3/16" X 28.50" - (RS)	1	EA
11	Call w/ S/N	SPRING W/ PLUGS, .182 X 2 3/16" X 28.50" - (CS)	1	EA
12	Call w/ S/N	SPRING WINDER - WINDER ASSEMBLY	1	EA
13	Call w/ S/N	BASE FOR SPRING WINDER	1	EA
14	Call w/ S/N	BALANCER BRACKET - CURBSIDE	1	EA
15	Call w/ S/N	BALANCER BRACKET - ROADSIDE	1	EA
16	47106737	BEARING ASSEMBLY	2	EA



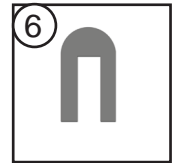
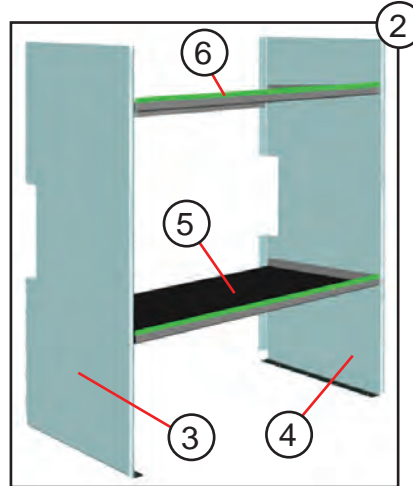
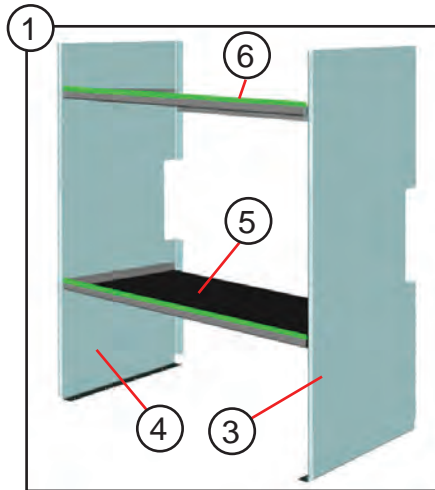
ITEM #	PART #	DESCRIPTION	QTY.	UNIT
1	47106710	TOP CLOSURE COMPLETE	2	EA
2	47106775	END HINGE COMPLETE HEAVY DUTY	10	EA
3	47106700	ROLLER COVER ONLY, FOR END HINGE	10	EA
4	47106731	CENTER HINGE HEAVY DUTY	10	EA
5	47106796	LIFT HANDLE - BLACK	1	EA
6	Call w/ S/N	24" SEWN PULL STRAP W/ 6" SEWN LOOP - BLACK RETAINER	1	EA
7	Call w/ S/N	MAXIMUM SECURITY LOCK ASSEMBLY	1	EA
8	Call w/ S/N	KEEPER ASSEMBLY	1	EA
9	47106705	BOTTOM ROLLER BRACKET ASSM, 1" ROLLER	2	EA
10	47106727	95" 7 X 19 SS CABLE 1/4" METAL EYE	2	EA
11	Call w/ S/N	ALUMINUM TOP PANEL SEAL W/ STANDARD LIP	1	EA
12	Call w/ S/N	1" STEEL ROLLER HEAVY DUTY	12	EA
13	47106718	SPACER WASHERS	54	EA
14	47106762	CABLE ANCHOR BRACKET	2	EA
15	47106706	CABLE ANCHOR BRACKET PIN	2	EA
16	47106719	COTTER PIN	2	EA
17	Call w/ S/N	1/4" COMPOSITE BOTTOM PANEL COMPLETE	1	EA
18	Call w/ S/N	1/4" COMPOSITE INTERMEDIATE PANEL	3	EA
19	Call w/ S/N	1/4" COMPOSITE INTERMEDIATE PANEL	1	EA
20	Call w/ S/N	1/4" COMPOSITE TOP PANEL	1	EA



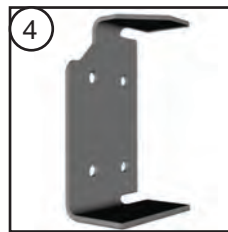
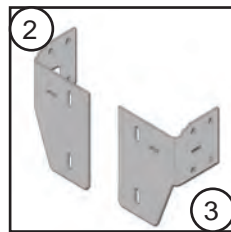
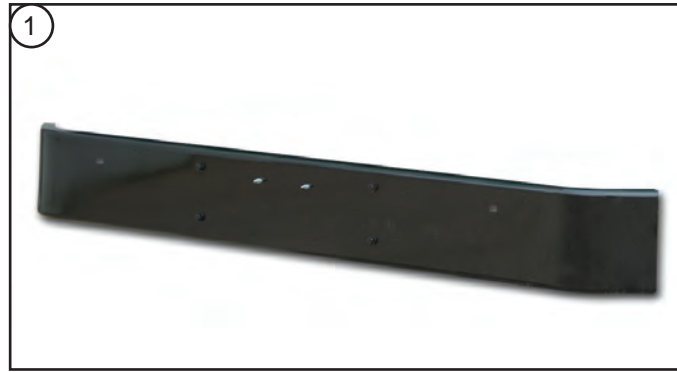
ITEM #	PART #	DESCRIPTION	QTY.	UNIT
1	093048412	STIFFENER SIDE WALL	19	EA
2	093048413	STIFFENER SIDE WALL @ WHEEL BOX	4	EA
3	093095414	BRACKET PIPE RACK ROADSIDE (2 PER TUBE)	1	EA
4	093095415	BRACKET PIPE RACK CURBSIDE (2 PER TUBE)	1	EA
5	45601158	TUBE STEEL 14GA 1.3125X252 (AT DOOR POCKET 45601159)	1	EA
6	45601155	U BOLT SQUARE .31-18 X 2 X 2.375 (6 PER TUBE)	1	EA
7	45601153	HANGER BRACKET STEEL 7GAX5.5 PIPE RACK (4 PER TUBE)	1	EA
8	093095406	ZEE PIPE RACK	1	EA
9	45601152	END CAP RUBBER 1.25" OD BLACK	1	EA
10*	098102439	HAT E/TRACK AL.125X10.79X134.45	1	EA
11*	098102437	E/TRACK HORZ 1101531X105.95	1	EA
12*	098102435	PROTECTIVE RUBBER BUMPER E/TRACK 1107307X117	1	EA
13	45601156	TUBE STEEL 11GA 1.5X1.5X89.50 SQ	1	EA

* Items 10, 11 and 12 - Only the longest lengths of materials used are shown above.

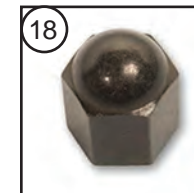
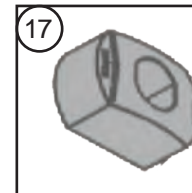
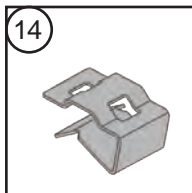
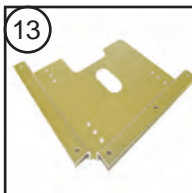
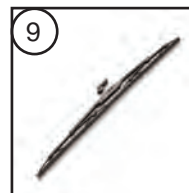
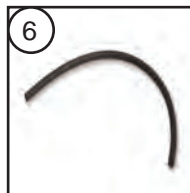
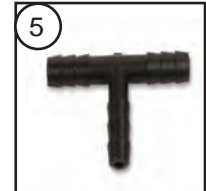
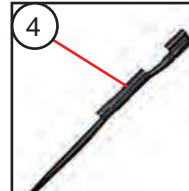
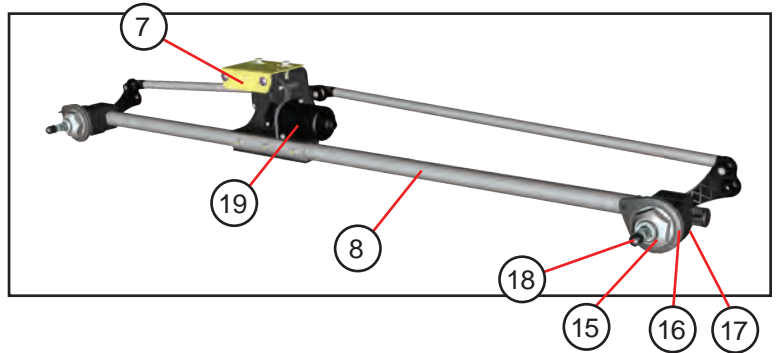
E/TRACK HORZ	14"- 098102440	105.95"-098102437	120"- 1101531		
HAT E/TRACK	28"- 098102441	110.5"- 098102436	117.75"-098102401	122.25"-098102403	134.45"-098102439
RUBBER BUMPER	23.98"-098102434	28"- 083102409	112.6"- 083104410	112.95"-098102438	117"- 098102435



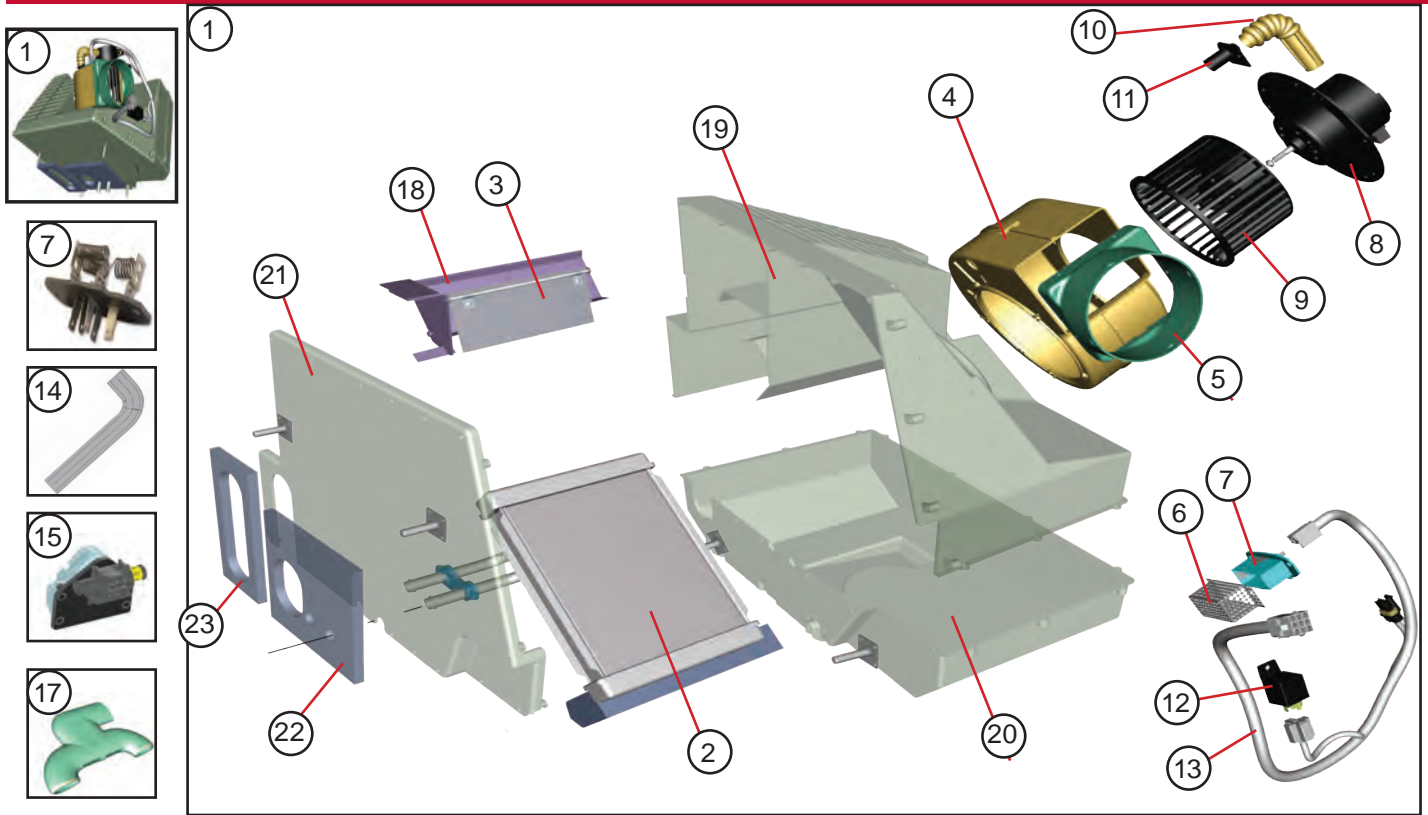
ITEM #	PART #	DESCRIPTION	QTY.	UNIT
1	118105206	SHELF ASSEMBLY OVER WHEEL BOX LH	1	EA
2	118105207	SHELF ASSEMBLY OVER WHEEL BOX RH (OPTIONAL)	1	EA
3	118105409	PANEL SHELF END AL.102X26.21X46.28	2	EA
4	118105410	PANEL SHELF END AL.102X26.21X46.28	2	EA
5	118105428	SHELF PANEL AL.102X26.51X45.81	4	EA
6	118105404	WEAR STRIP SHELF LIP AL. X43"	4	EA



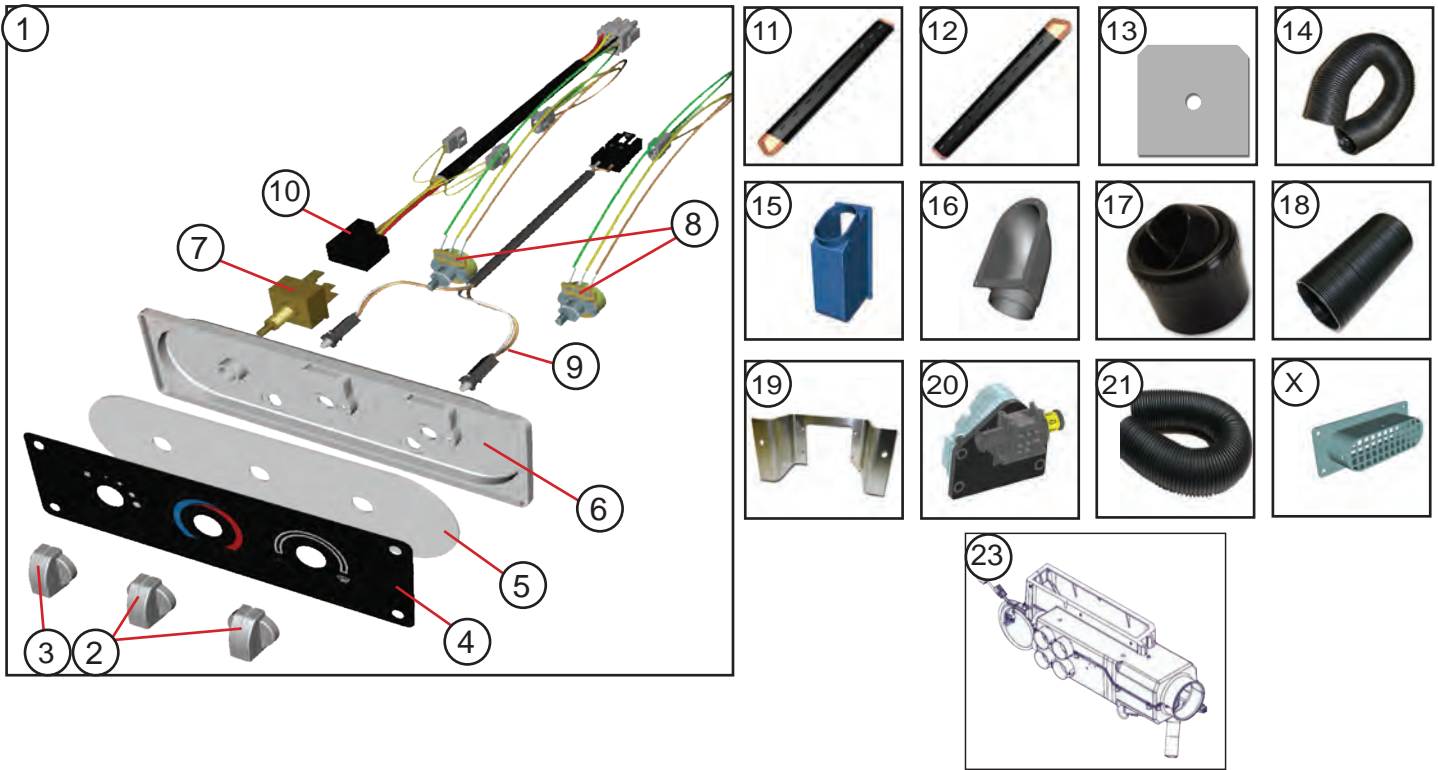
ITEM #	PART #	DESCRIPTION	QTY.	UNIT
1	004057457	BUMPER STEEL FRONT 93W 11IN RC	1	EA
2	115008200	BUMPER FRONT WELDMENT ASSEMBLY LH	1	EA
3	115008201	BUMPER FRONT WELDMENT ASSEMBLY RH	1	EA
4	115008402	BRACKET BUMPER STEEL 7GA X4.5X12.56 LH	1	EA
5	115008403	BRACKET BUMPER STEEL 7GA X4.5X12.56 RH	1	EA



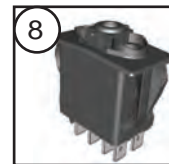
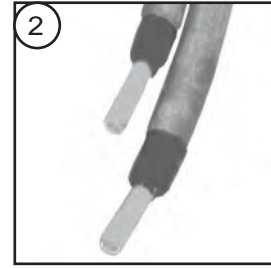
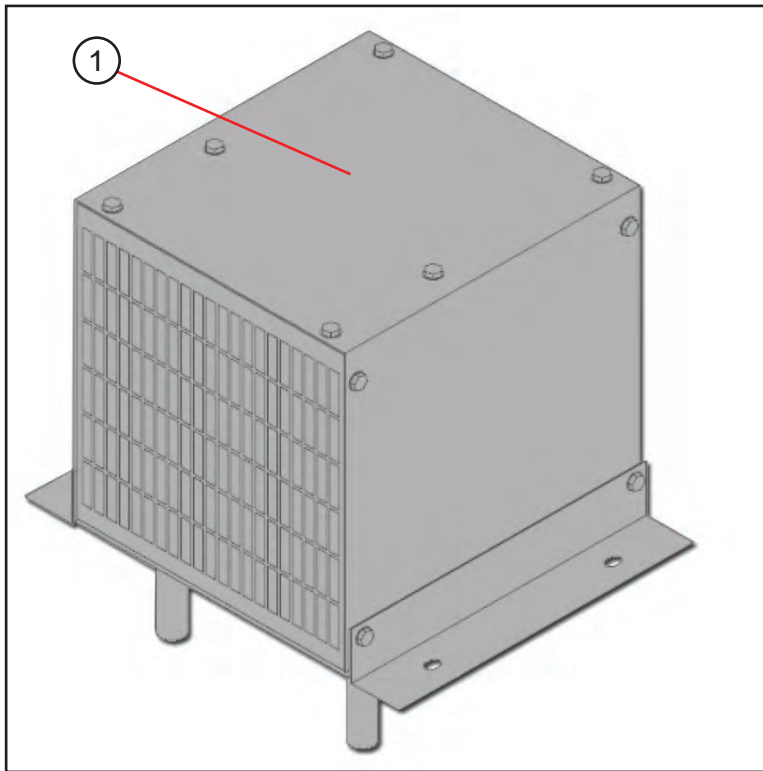
ITEM #	PART #	DESCRIPTION	QTY.	UNIT
1	47005624	MIRROR ASSEMBLY ROADSIDE	1	EA
2	47005625	MIRROR ASSEMBLY CURBSIDE	1	EA
3	47004271	WET KIT (REPLACEMENT SPRAYER & 18" HOSE)	2	EA
4	47004272	RETAINING CLIP FOR HOSE	2	EA
5	1101694	TEE WSWA U/T	1	EA
6	1107122	HOSE .188 ID WSW	12	FT
7	083055454	BRACKET WIPER MOTOR	1	EA
8	47004188	WIPER SYSTEM TBLR 2 PIVOT	1	EA
9	47004134	BLADE 24IN BLACK	2	EA
11	47004206	ARM WSW WET 22IN RADIAL BLACK	2	EA
12	47004505	RESERVOIR W/PUMP	1	EA
13	003705413	BRACKET MOUNTING RSVR	1	EA
14	46021115	CLIP BODY LARGE PAN	1	EA
15	47005901	NUT PIVOT SHAFT	2	EA
16	47005902	PIVOT COVER	2	EA
17	47005903	SPACER	2	EA
18	81600189	ACORN NUT	2	EA
19	47005900	MOTOR WINDSHIELD WIPER	1	EA



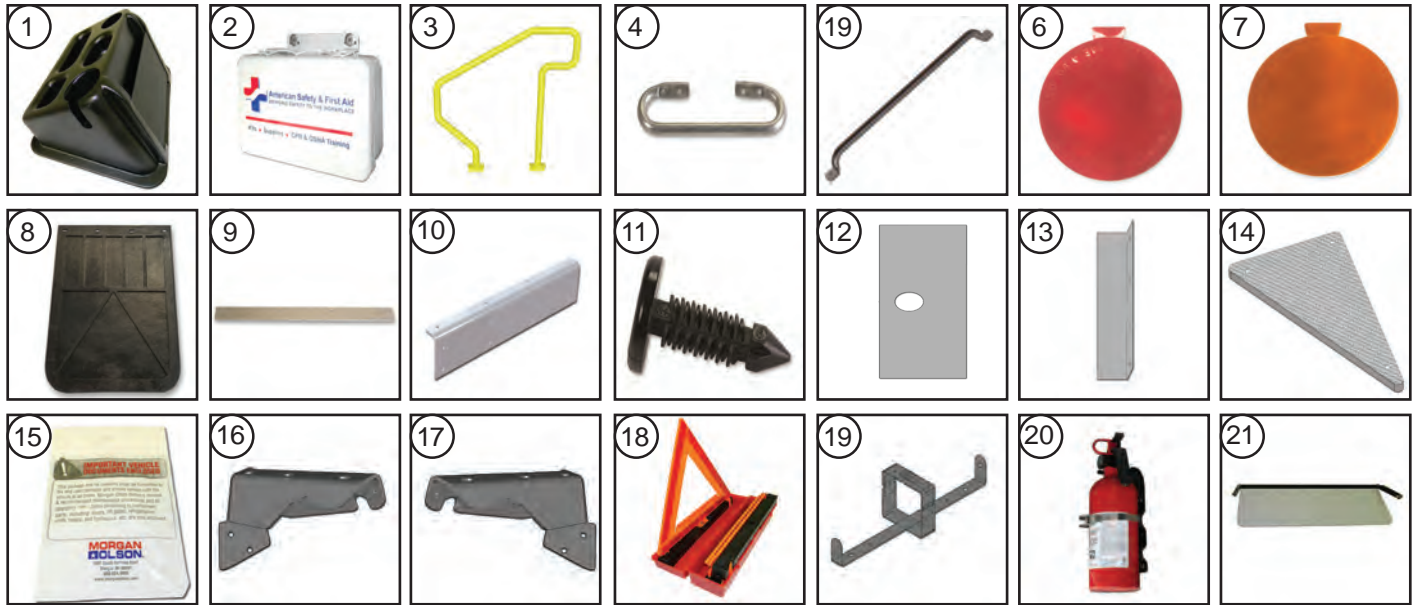
ITEM #	PART #	DESCRIPTION	QTY	UNIT
1	555001014	HEATER ASSEMBLY	1	EA
2	47008760	HEATER COIL W/GASKET & CLAMP	1	EA
3	47008753	DOOR W/SEAL	1	EA
4	47008754	BLOWER HOUSING	1	EA
5	47008755	BLOWER ADAPTER	1	EA
6	47008732	RESISTER CAGE	1	EA
7	47008357	RESISTER	1	EA
8	46032340	BLOWER MOTOR	1	EA
9	47008757	BLOWER WHEEL	1	EA
10	47008730	VENT TUBE	1	EA
11	47008731	Vent tube adapter	1	EA
12	47008716	RELAY	1	EA
13	47008758	HARNESS	1	EA
14	47008580	FORMED HEATER HOSE	2	EA
15	555002053	Valve water	1	EA
16	105080401	PLATE MOUNTING FOOT DUMP AL .07X4.25X5.53	1	EA
17	090080401	Duct ft dump special	1	EA
18		GASKET - PART OF HEATER ASSEMBLY	1	EA
19		GASKET - PART OF HEATER ASSEMBLY	1	EA



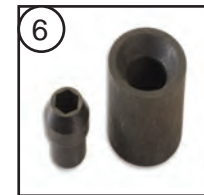
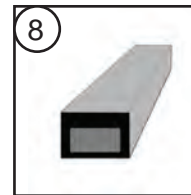
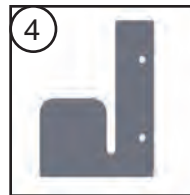
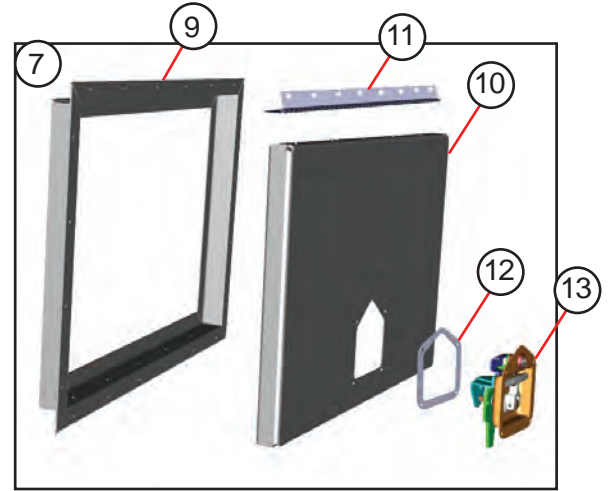
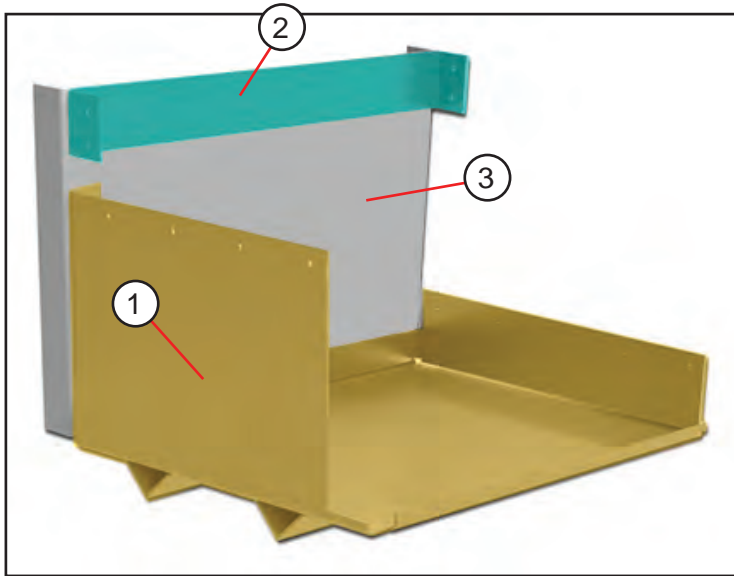
PART #	PART #	DESCRIPTION	QTY	UNIT
1	555001413	CONTROL PANEL ASSEMBLY	1	EA
2	47008706	KNOB	2	EA
3	47008735	KNOB	1	EA
4	47008707	DECAL	1	EA
5	47008708	LIGHT PANEL	1	EA
6	47008709	CONTROL SUB PANEL	1	EA
7	46023202	BLOWER SWITCH	1	EA
8	47008710	POTENTIOMETER SWITCH	2	EA
9	47008711	HARNES ILLUMINATION W/BULBS	1	EA
10	47008712	HARNES BLOWER MOTOR	1	EA
11	555001723	DEFROST DUCT CURBSIDE METAL	1	EA
12	555001724	DEFROST DUCT ROADSIDE METAL	1	EA
13	093080400	HOLD DOWN PLATE DEFROSTER DUCTS	4	EA
14	555001524	HOSE DEFROSTER 2.5X30	1	EA
14	555001525	HOSE DEFROSTER 2.5X38 (2X DEFROSTER / 1XFOOT DUMP)	3	EA
15	555002006	FRESH AIR INTAKE SIDE WALL	1	EA
16	555002005	FRESH AIR INTAKE @ TOEBOARD	1	EA
17	555001715	LOUVER BALL	6	EA
18	555001532	HOSE BLOWER HEATER/DEFROSTER 4"	1	EA
19	002080400	BRACKET MOUNTING WATER VALVE AL .102X3X11.67	1	EA
20	555002056	WATER VALVE	1	EA
21	555001523	HOSE DEFROSTER 2.5X16	1	EA
22	555002003	COLLAR FRESH AIR INTAKE	1	EA
23	555001323	PLENUM DUCT HVAC	1	EA



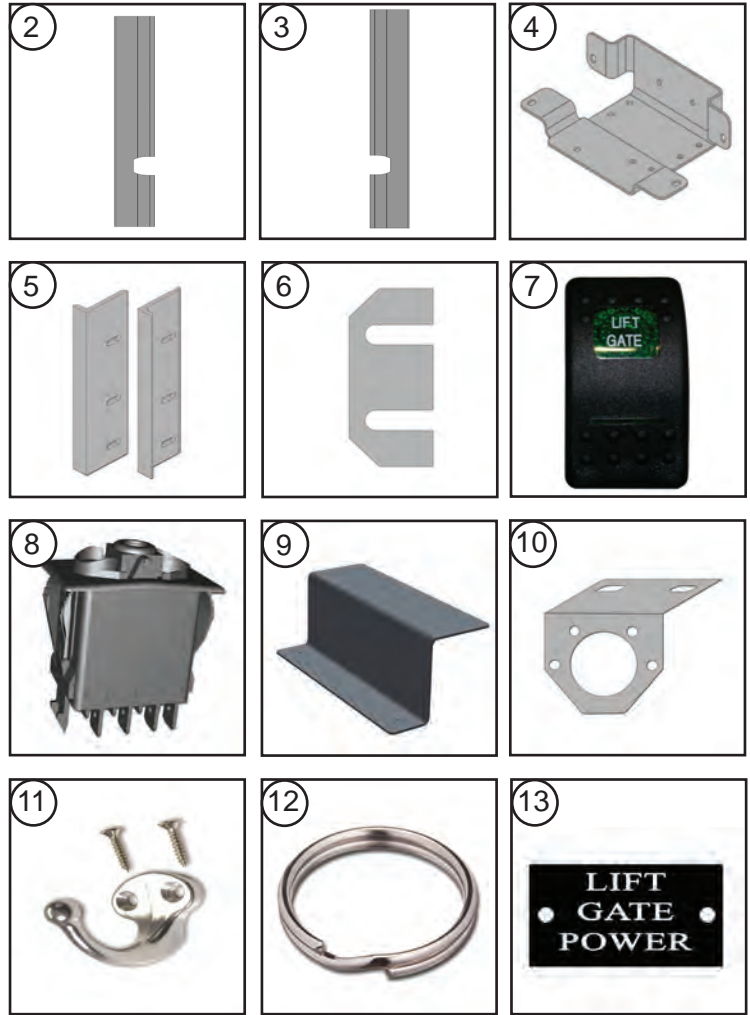
ITEM #	PART #	DESCRIPTION	QTY	UNIT
1	47008587	HEATER AUXILIARY 16.6K BTU 2 SPEED	1	EA
2	44001026	HOSE HEATER SLC .62IDXFT	34	FT
3	46004416	GROMMET 1ID .25 MATERIAL THICK	5	EA
NS	05M279200	HARNESS ROCKER SWITCH	1	EA
NS	007388322	HARNESS JUMPER Y 2WR P&P X120	1	EA
6	007388326	HARNESS JUMPER Y 2WR P&P X72	1	EA
7	46023616	SWITCH ROCKER ACTUATOR ONLY AUXILIARY HEATER	1	EA
8	46023617	SWITCH ROCKER BASE ONLY SPDT ON-OFF-ON	1	EA



ITEM #	PART #	DESCRIPTION	QTY.	UNIT
1	47009653	CENTER CONSOLE CUP HOLDER	1	EA
2	007301001	FIRST AID KIT	1	EA
3	47001053	GRAB RAIL REMOVABLE	1	EA
4	90187300	GRAB HANDLE 9" , OFFSET	1	EA
5	47001082	GRAB HANDLE 1" AL	1	EA
6	46025017	REFLECTOR RED 2.88 DIA.	4	EA
7	46025018	REFLECTOR AMBER 2.88 DIA.	2	EA
8	1107308	MUD FLAPS 20X24 BLACK NO LOGO	1	PR
9	7504428	RETAINER BRACKET MUD FLAPS	2	EA
10	80795014	ANGLE RETAINER MUD FLAPS	2	EA
11	47006630	CLIP PLASTIC ROUND HEAD 1.32X1.34	1	EA
12	78331095	PLATE TIE DOWN	23	EA
13	97650306	ANGLE TIE DOWN	2	EA
14	138027418	RUBBER PAD 42002055X4.75X11	1	EA
15	43004362	BAG PLASTIC DOCUMENT WALK-IN	1	EA
16	115006200	OUTRIGGER WELDMENT CHASSIS PREP LH	1	EA
17	115006201	OUTRIGGER WELDMENT CHASSIS PREP RH	1	EA
18	47009547	REFLECTOR KIT - TRIANGLES	1	EA
19	47009548	BRACKET REFLECTOR FLARE KIT	1	EA
20	47009621	FIRE EXTINGUISHER W/BRACKET & MET STRAP	1	EA
21	47005504	SUN VISOR (BRACKET 090061400)	2	EA
NS	095024413	ANGLE COMP VERTICAL AL .25X5.75X18 LH	1	EA
NS	095024414	ANGLE COMP VERTICAL AL .25X5.75X18 RH	1	EA



ITEM #	PART #	DESCRIPTION	QTY.	UNIT
1	145024201	BATTERY BOX BOTTOM TRAY ASSEMBLY	1	EA
2	130024409	BRACKET BATTERY BOX AL .125X3.17X30.43	1	EA
3	130024408	BACKER RUBBER BATTERY BOX .125X16.7X30.7	1	EA
4	148024429	PLATE FILLER AL .07X3X4	1	EA
NS	124024413	CLOSURE BATTERY BOX RUBBER .125X18.5X31	1	EA
6	47000921	HOLD BACK DOOR 6LBS	1	EA
7	130009204	DOOR & FRAME ASSEMBLY COMPLETE (ITEMS 8-13)	1	EA
8	44004079	SEAL "D" .25 X .375	7	FT
9	130009203	DOOR FRAME ASSEMBLY BATTERY BOX	1	EA
10	130009415	DOOR BATTERY BOX AL .125X17.63X24.63	1	EA
11	130009414	HINGE STAINLESS X21	1	EA
12	47001499	GASKET HANDLE	1	EA
13	47001498	HANDLE "T" BLACK W/LOCK RH	1	EA

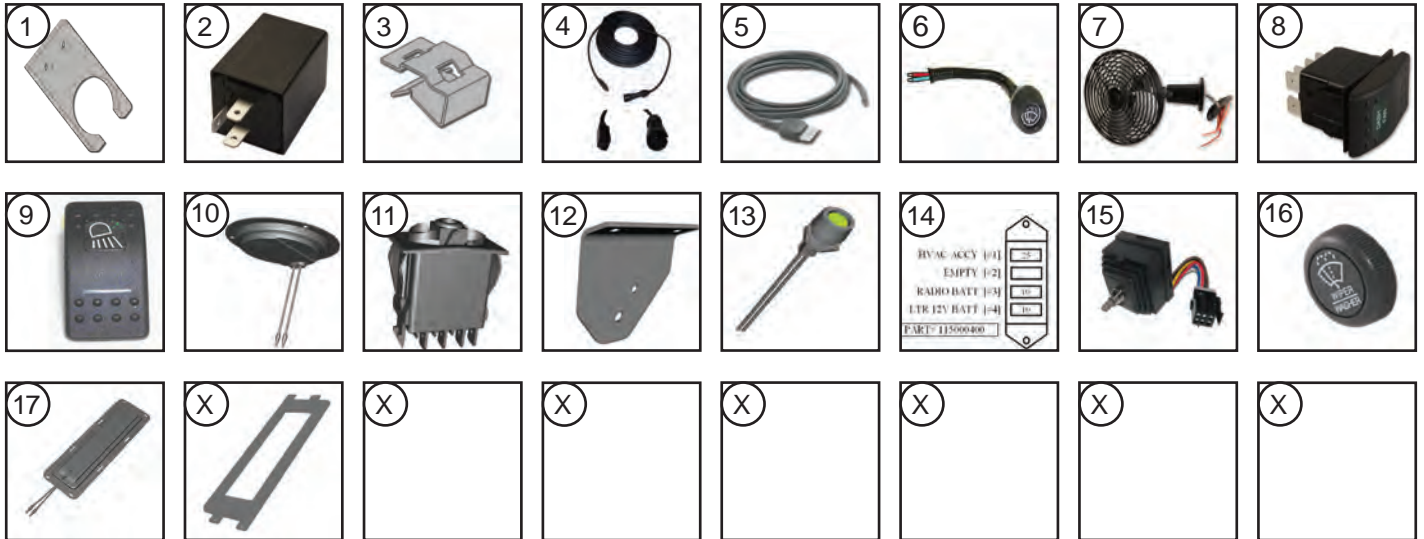


* Weld on and bolt on lift gates are not interchangeable.

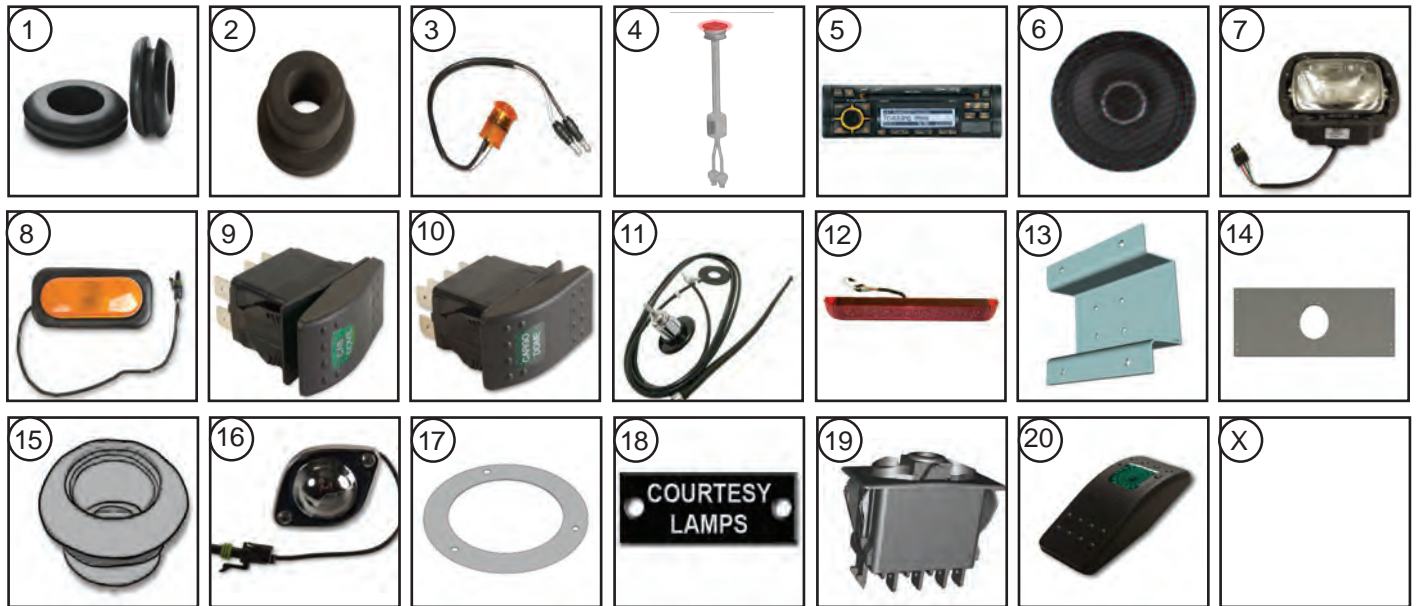
If adding, back modifications may be needed. Please call and we will be happy to assist you.

ITEM #	PART #	DESCRIPTION	QTY.	UNIT
1	47005451	LIFT GATE MAXON 90X36+12 BOLT-ON	1	EA
2	092050412	MOUNTING LIFT GATE AL 450596X65.29 LH	1	EA
3	092050413	MOUNTING LIFT GATE AL 450596X65.29 RH	1	EA
4	122092401	BRACKET MOUNTING AL .102X10.07X10.52	2	EA
5	092050410	ANGLE LOWER LIFT GATE AL 1126236X11 LH	1	EA
5	092050411	ANGLE LOWER LIFT GATE AL 1126236X11 LH	1	EA
6	092050406	SHIM LIFT GATE AL .25X1.25X64.88	2	EA
7	46023619	SWITCH ACTUATOR ONLY LIFT GATE POWER	1	EA
8	46023611	SWITCH BASE ONLY SPDT	1	EA
9	172125400	BRACKET LIFT GATE PENDANT AL .102X9.68X12	1	EA
10	46013413	BRACKET TRAILER RECEPTICLE	1	EA
11	1113494	HOOK (FOR PENDANT - HAND HELD CONTROLLER)	1	EA
12	47001295	RING (FOR PENDANT - HAND HELD CONTROLLER)	1	EA
13	45200252	PLACARD PLASTIC LIFT GATE POWER	1	EA

14



ITEM #	PART #	DESCRIPTION	QTY.	UNIT
1	090087401	FILLER PLATE WIRING	1	EA
2	46026414	FLASHER FOR TTL LED APPLICATIONS	1	EA
3	46021115	CLIP LARGE BODY	1	EA
3	46021114	CLIP MEDIUM BODY	1	EA
4	48200113	HARNESS - CABLE CAMERA TO MONITOR	1	EA
5	88117437	HARNESS JUMPER CRADLE HAND COMPUTER	1	EA
6	46003017	LAMP INT WIPER	1	EA
7	46030011	FAN 2 SPEED NO SWITCH 270 CFM	1	EA
8	46023605	SWITCH FAN ROCKER SPDT ON-OFF-ON	1	EA
9	46023614	SWITCH ROCKER ACTUATOR ONLY BLINKING GREEN DASH	1	EA
10	46002637	LAMP DOME RECESSED LED CAB	1	EA
11	46023611	SWITCH ROCKER BASE ONLY SPDT	1	EA
12	115085401	BRACKET HORN MOUNTING AL.125X3.25X4.12	1	EA
13	46003022	LAMP PILOT GREEN BLANK	1	EA
14	115000400	LABEL FUSE BLOCK LH	1	EA
14	115000401	LABEL FUSE BLOCK RH	1	EA
15	46023310	SWITCH WIPER INT SIGNAL ASSEMBLY	1	EA
16	47008767	REPLACEMENT WIPER KNOB W/ SET SCREW	1	EA
17	46002638	LAMP DOME RECESSED LED CARGO	3	EA
18	100092401	BRACKET DOME LAMP CARGO AREA	3	EA

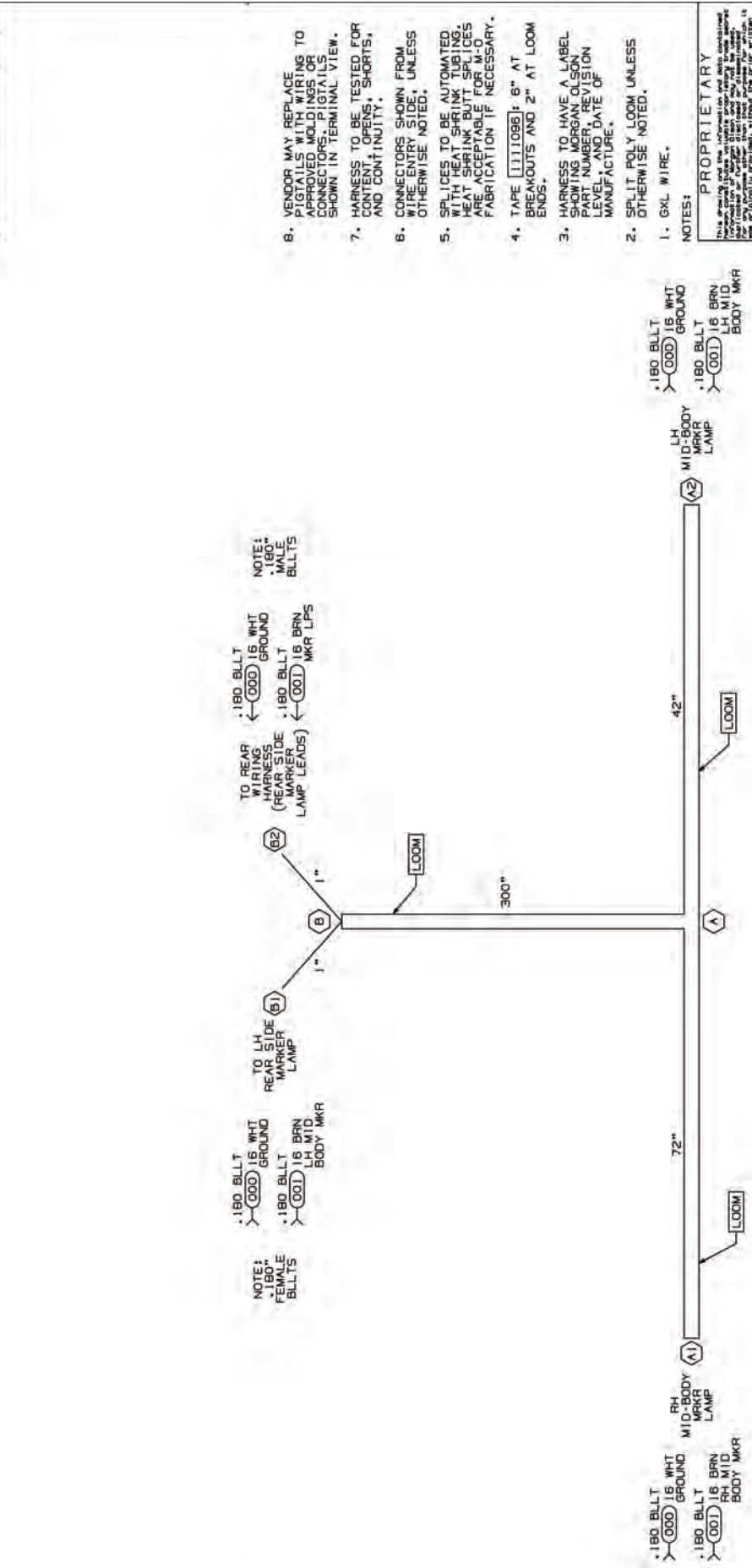


ITEM #	PART #	DESCRIPTION	QTY.	UNIT
1	44000052	GROMMET	1	EA
2	1107072	GROMMET	1	EA
3	46001344	LAMP CLEARANCE MARKER LED NO PC AMBER	2	EA
3	46001339	LAMP CLEARANCE MARKER LED PC - AMBER	6	EA
3	46001362	LAMP CLEARANCE MARKER LED PC - AMBER	1	EA
4	46001340	LAMP CLEARANCE MARKER LED NO PC	7	EA
5	46025593	RADIO AM/FM/WB/CD	1	EA
6	46025590	SPEAKER 6.5 IN.	1	EA
7	46000213	HEADLAMP RECTANGLE ASSEMBLY	1	EA
8	46000615	LAMP PARK/TURN LED (SHOWN WITH GROMMET 46004403)	1	EA
9	46023508	SWITCH ROCKER CAB DOME SPST ON-OFF	1	EA
10	46023603	SWITCH ROCKER FRONT CARGO DOME SPDT ON-ON	1	EA
11	46025559	ANTENNA		EA
12	46001905	LAMP AUX S/LH + RH TURN BAR (GROMMET 1107109)	1	EA
13	078092400	BRACKET MOUNTING HANDSET CRADLE	1	EA
14	100092400	BRACKET DOME LAMP MOUNTING (3 LOAD / 1 CAB)	1	EA
15	46001342	GROMMET FOR CLEARANCE MARKER LED	1	EA
16	46002425	LAMP LICENSE PLATE	2	EA
17	47006065	RING TUBE STEEL 4IN ROUND	1	EA
18	45200254	LABEL PLACARD LAMP COURTESY	1	EA
19	46023611	SWITCH BASE ONLY COURTSEY LAMP SPDT	1	EA
20	46023614	SWITCH ACTUATOR ONLY COURTSEY LAMP	1	EA

PAGE #	PART #	DESCRIPTION	QTY.	UNIT
38	007381203	HARNESS MID BODY MARKERS	1	EA
39-40	007391210	HARNESS ROOF TO NOSE	1	EA
41	007392398	HARNESS LAMP STEP WELL RH/DA SW/BAT	1	EA
42	05M279200	HARNESS ROCKER SWITCH	1	EA
43	090093202	HARNESS JUMPER CARGO DOME LAMP	1	EA
44-45	093093203	HARNESS ROOF 21/24FT6IN	1	EA
46	093093205	HARNESS TRANSOM CHMSL READY M100	1	EA
47	102084201	HARNESS ROCKER SWITCH JPR FOR OPT	1	EA
48	102092202	HARNESS T LIFT GATE SOLOINOID POWER CONTROL	1	EA
49-51	115084202	HARNESS COMMAND CENTER F59	1	EA
52	115084203	HARNESS FUSE CENTER F59	1	EA
53	115085202	HARNESS HOOD F59 W/ HORN	1	EA
54	115088201	HARNESS JUMPER INSTRUMENT PANEL	1	EA
55	115088202	HARNESS JUMPER I/P WPR F59	1	EA
56	132087204	HARNESS LIFT GATE TRANSOM TO LG	1	EA
57	132088201	HARNESS BATTERY NEG 2GA 24"	1	EA
58	132088206	HARNESS BATTERY POS 2GA BRKR 24"	1	EA
59	152088200	HARNESS JUMPER BATTERY SEPERATOR GND	1	EA
60	46024562	HARNESS RADIO POWER SPEAKER	1	EA
61	46025591	HARNESS SPEAKERS	1	EA
62	47004506	HARNESS PIGTAIL PUMP WINDOW WASHER	1	EA
63	88117437	HARNESS JUMPER TEE GNRC	1	EA

DRAWING NO.	REV	SHT
007381203		1 of 1
DESCRIPTION	DATE	
RELEASE TO PRODUCTION		

CIRCUIT	GAUGE	COLOR	END POINTS	FUNCTION
000	16	WHT	A1, A2, B1, B2	GROUND
001	16	BRN	A1, A2, B1, B2	SIDE MARKER LAMPS



DATE	REV	BY	CHKD
02JAN08	02JAN08	TMC	OB-0001
DO NOT SCALE			
HARNES MID-BODY MARKERS 200B (SEED TRUCK) P&P - 180 BLLTS			
DRAWING NO.	SCALE	SHT	REV
007381203	NONE	1 of 1	

MORGAN OLSON

PROPRIETARY

THIS DRAWING IS THE PROPERTY OF MORGAN OLSON. IT IS TO BE USED ONLY FOR THE PURPOSES SPECIFIED HEREIN. IT IS NOT TO BE REPRODUCED, COPIED, OR TRANSMITTED IN ANY FORM OR BY ANY MEANS, ELECTRONIC OR MECHANICAL, INCLUDING PHOTOCOPYING, RECORDING, OR BY ANY INFORMATION STORAGE AND RETRIEVAL SYSTEM. WITHOUT THE WRITTEN PERMISSION OF MORGAN OLSON, THIS DRAWING IS TO BE KEPT IN STRICTLY CONFIDENTIAL AND NOT TO BE DISCLOSED TO ANY OTHER PARTY.

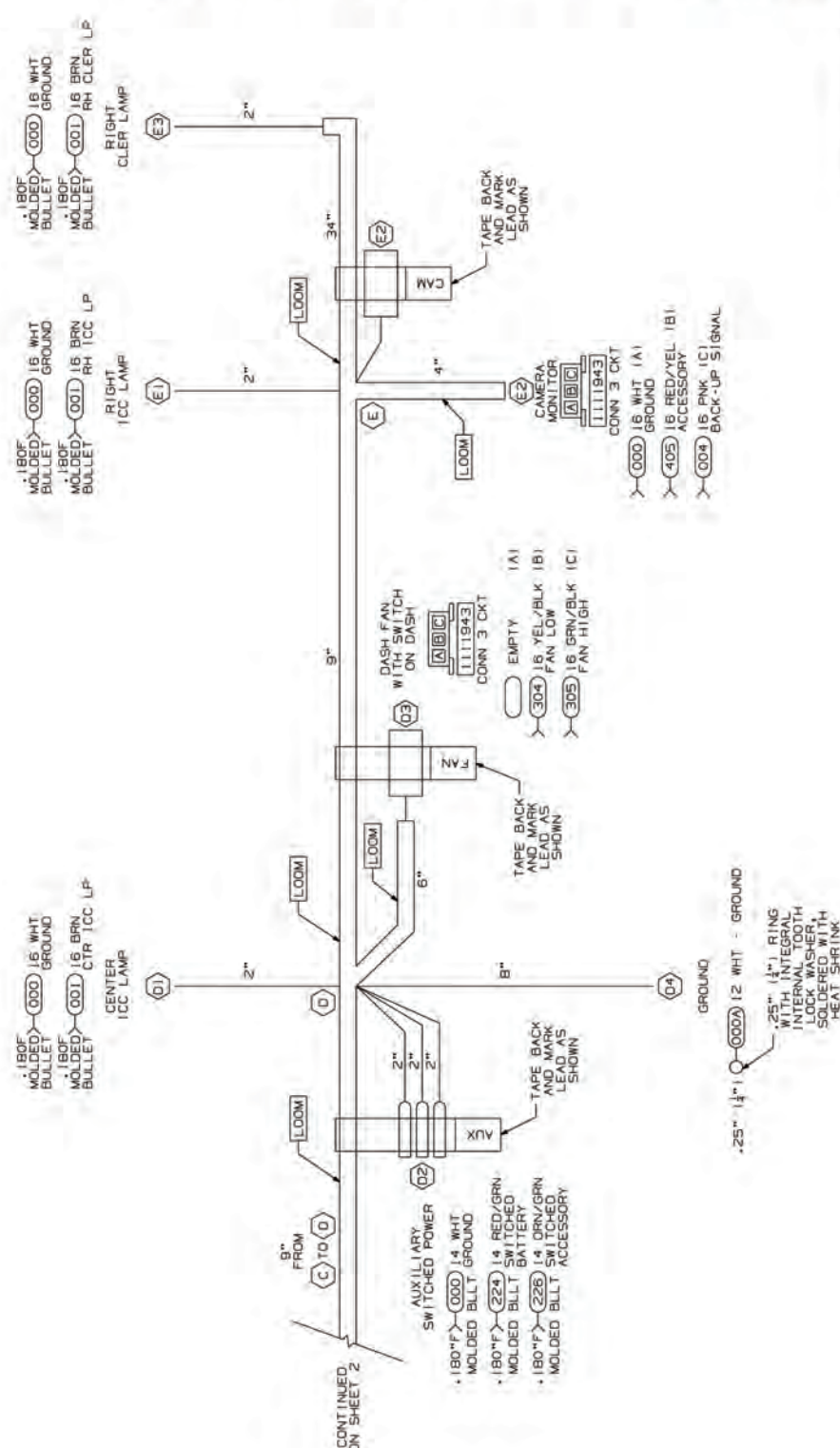
- NOTES:
1. 6XL WIRE.
 2. SPLIT POLY LOOM UNLESS OTHERWISE NOTED.
 3. HARNES TO HAVE A LABEL SHOWING MORGAN OLSON PART NUMBER, REVISION LEVEL, AND DATE OF MANUFACTURE.
 4. TAPE [111096]: 6" AT BREAKOUTS AND 2" AT LOOM ENDS.
 5. SPLICES TO BE AUTOMATED WITH HEAT SHRINK TUBING. HEAT SHRINK BUTT SPLICES ARE ACCEPTABLE FOR W-O FABRICATION IF NECESSARY.
 6. CONNECTORS SHOWN FROM WIRE ENTRY SIDE, UNLESS OTHERWISE NOTED.
 7. HARNES TO BE TESTED FOR CONTACTS, SHORTS, AND CONTINUITY.
 8. VENDOR MAY REPLACE POINTS IN WIRING TO APPROVED MOLDS, OR CONNECTORS, PIGTAILS SHOWN IN TERMINAL VIEW.

HARNES AND LOOM TOLERANCES

UP TO 60" = -0/+2"
 60" TO 100" = -0/+4"
 100" TO 200" = -0/+5"
 200" TO 400" = -0/+8"
 400" TO 600" = -0/+7"
 OVER 600" = -0/+8"

BO TO BO = -0/+2"
 TOLERANCE IS NOT ACCUMULATIVE. LENGTH APPLIES TO OVERALL HARNES LENGTH, BREAKOUT TO END, OR LOOM.

DRAWING NO.	REV.	SHT
007391210	A	1 of 2
DESCRIPTION	BY	DATE
RELEASE FOR PRODUCTION	SKL	
REDRAWN & REVISED	DFM	3/11/82
	DFM	3/24/82



- VENDOR TO GREASE FEMALE BULLET TERMINALS.
- THIS IS A PURCHASED HARNESS. NO BILL OF MATERIAL EXISTS.
- VENDOR MAY REPLACE PIGTAILS WITH WIRING TO APPROVED MOLDINGS OR CONNECTORS. PIGTAILS SHOWN IN TERMINAL VIEW.
- HARNESS TO BE TESTED FOR CONTENT, OPENS, SHORTS, AND CONTINUITY.
- CONNECTORS SHOWN FROM WIRE ENTRY SIDE UNLESS OTHERWISE NOTED.
- SPLICES TO BE AUTOMATED UNLESS OTHERWISE NOTED. UNLESS OTHERWISE NOTED, USE LINED HEAT SHRINK TUBING.
- TAPE (1111098): 6" AT BREAKOUTS, 2" AT 18" INTERVALS FOR UNINTERRUPTED LOOM LENGTHS GREATER THAN 24", AND 2" AT LOOM ENDS.
- HARNESS TO HAVE A LABEL SHOWING MORGAN OLSON PART NUMBER, REVISION LEVEL, AND DATE OF MANUFACTURE.
- SPLIT POLY LOOM UNLESS OTHERWISE NOTED.
1. GAL. WIRE.

NOTES:
 PROPRIETARY
 This harness is for use on the following vehicles:
 1. 1982-1983 Ford Bronco
 2. 1982-1983 Ford Bronco Sport
 3. 1982-1983 Ford Bronco Sport
 4. 1982-1983 Ford Bronco Sport
 5. 1982-1983 Ford Bronco Sport
 6. 1982-1983 Ford Bronco Sport
 7. 1982-1983 Ford Bronco Sport
 8. 1982-1983 Ford Bronco Sport
 9. 1982-1983 Ford Bronco Sport
 10. 1982-1983 Ford Bronco Sport
 11. 1982-1983 Ford Bronco Sport
 12. 1982-1983 Ford Bronco Sport
 13. 1982-1983 Ford Bronco Sport
 14. 1982-1983 Ford Bronco Sport
 15. 1982-1983 Ford Bronco Sport
 16. 1982-1983 Ford Bronco Sport
 17. 1982-1983 Ford Bronco Sport
 18. 1982-1983 Ford Bronco Sport
 19. 1982-1983 Ford Bronco Sport
 20. 1982-1983 Ford Bronco Sport
 21. 1982-1983 Ford Bronco Sport
 22. 1982-1983 Ford Bronco Sport
 23. 1982-1983 Ford Bronco Sport
 24. 1982-1983 Ford Bronco Sport
 25. 1982-1983 Ford Bronco Sport
 26. 1982-1983 Ford Bronco Sport
 27. 1982-1983 Ford Bronco Sport
 28. 1982-1983 Ford Bronco Sport
 29. 1982-1983 Ford Bronco Sport
 30. 1982-1983 Ford Bronco Sport
 31. 1982-1983 Ford Bronco Sport
 32. 1982-1983 Ford Bronco Sport
 33. 1982-1983 Ford Bronco Sport
 34. 1982-1983 Ford Bronco Sport
 35. 1982-1983 Ford Bronco Sport
 36. 1982-1983 Ford Bronco Sport
 37. 1982-1983 Ford Bronco Sport
 38. 1982-1983 Ford Bronco Sport
 39. 1982-1983 Ford Bronco Sport
 40. 1982-1983 Ford Bronco Sport
 41. 1982-1983 Ford Bronco Sport
 42. 1982-1983 Ford Bronco Sport
 43. 1982-1983 Ford Bronco Sport
 44. 1982-1983 Ford Bronco Sport
 45. 1982-1983 Ford Bronco Sport
 46. 1982-1983 Ford Bronco Sport
 47. 1982-1983 Ford Bronco Sport
 48. 1982-1983 Ford Bronco Sport
 49. 1982-1983 Ford Bronco Sport
 50. 1982-1983 Ford Bronco Sport
 51. 1982-1983 Ford Bronco Sport
 52. 1982-1983 Ford Bronco Sport
 53. 1982-1983 Ford Bronco Sport
 54. 1982-1983 Ford Bronco Sport
 55. 1982-1983 Ford Bronco Sport
 56. 1982-1983 Ford Bronco Sport
 57. 1982-1983 Ford Bronco Sport
 58. 1982-1983 Ford Bronco Sport
 59. 1982-1983 Ford Bronco Sport
 60. 1982-1983 Ford Bronco Sport
 61. 1982-1983 Ford Bronco Sport
 62. 1982-1983 Ford Bronco Sport
 63. 1982-1983 Ford Bronco Sport
 64. 1982-1983 Ford Bronco Sport
 65. 1982-1983 Ford Bronco Sport
 66. 1982-1983 Ford Bronco Sport
 67. 1982-1983 Ford Bronco Sport
 68. 1982-1983 Ford Bronco Sport
 69. 1982-1983 Ford Bronco Sport
 70. 1982-1983 Ford Bronco Sport
 71. 1982-1983 Ford Bronco Sport
 72. 1982-1983 Ford Bronco Sport
 73. 1982-1983 Ford Bronco Sport
 74. 1982-1983 Ford Bronco Sport
 75. 1982-1983 Ford Bronco Sport
 76. 1982-1983 Ford Bronco Sport
 77. 1982-1983 Ford Bronco Sport
 78. 1982-1983 Ford Bronco Sport
 79. 1982-1983 Ford Bronco Sport
 80. 1982-1983 Ford Bronco Sport
 81. 1982-1983 Ford Bronco Sport
 82. 1982-1983 Ford Bronco Sport
 83. 1982-1983 Ford Bronco Sport
 84. 1982-1983 Ford Bronco Sport
 85. 1982-1983 Ford Bronco Sport
 86. 1982-1983 Ford Bronco Sport
 87. 1982-1983 Ford Bronco Sport
 88. 1982-1983 Ford Bronco Sport
 89. 1982-1983 Ford Bronco Sport
 90. 1982-1983 Ford Bronco Sport
 91. 1982-1983 Ford Bronco Sport
 92. 1982-1983 Ford Bronco Sport
 93. 1982-1983 Ford Bronco Sport
 94. 1982-1983 Ford Bronco Sport
 95. 1982-1983 Ford Bronco Sport
 96. 1982-1983 Ford Bronco Sport
 97. 1982-1983 Ford Bronco Sport
 98. 1982-1983 Ford Bronco Sport
 99. 1982-1983 Ford Bronco Sport
 100. 1982-1983 Ford Bronco Sport

MORGAN OLSON	
GENERAL STANDARD VALUES UNLESS OTHERWISE NOTED	DATE: 1/1/82
1. UNLESS OTHERWISE NOTED, ALL DIMENSIONS ARE IN INCHES UNLESS OTHERWISE NOTED.	DESIGNER: SKL
2. FOR ALL DIMENSIONS ALL NECESSARY CLEARANCES MUST BE MAINTAINED.	CHECKER: DF
3. DIMENSIONS ARE TO CENTER UNLESS OTHERWISE NOTED.	DATE: 1/1/82
4. DIMENSIONS ARE TO CENTER UNLESS OTHERWISE NOTED.	DATE: 1/1/82
5. DIMENSIONS ARE TO CENTER UNLESS OTHERWISE NOTED.	DATE: 1/1/82
6. DIMENSIONS ARE TO CENTER UNLESS OTHERWISE NOTED.	DATE: 1/1/82
7. DIMENSIONS ARE TO CENTER UNLESS OTHERWISE NOTED.	DATE: 1/1/82
8. DIMENSIONS ARE TO CENTER UNLESS OTHERWISE NOTED.	DATE: 1/1/82
9. DIMENSIONS ARE TO CENTER UNLESS OTHERWISE NOTED.	DATE: 1/1/82
10. DIMENSIONS ARE TO CENTER UNLESS OTHERWISE NOTED.	DATE: 1/1/82
11. DIMENSIONS ARE TO CENTER UNLESS OTHERWISE NOTED.	DATE: 1/1/82
12. DIMENSIONS ARE TO CENTER UNLESS OTHERWISE NOTED.	DATE: 1/1/82
13. DIMENSIONS ARE TO CENTER UNLESS OTHERWISE NOTED.	DATE: 1/1/82
14. DIMENSIONS ARE TO CENTER UNLESS OTHERWISE NOTED.	DATE: 1/1/82
15. DIMENSIONS ARE TO CENTER UNLESS OTHERWISE NOTED.	DATE: 1/1/82
16. DIMENSIONS ARE TO CENTER UNLESS OTHERWISE NOTED.	DATE: 1/1/82
17. DIMENSIONS ARE TO CENTER UNLESS OTHERWISE NOTED.	DATE: 1/1/82
18. DIMENSIONS ARE TO CENTER UNLESS OTHERWISE NOTED.	DATE: 1/1/82
19. DIMENSIONS ARE TO CENTER UNLESS OTHERWISE NOTED.	DATE: 1/1/82
20. DIMENSIONS ARE TO CENTER UNLESS OTHERWISE NOTED.	DATE: 1/1/82
21. DIMENSIONS ARE TO CENTER UNLESS OTHERWISE NOTED.	DATE: 1/1/82
22. DIMENSIONS ARE TO CENTER UNLESS OTHERWISE NOTED.	DATE: 1/1/82
23. DIMENSIONS ARE TO CENTER UNLESS OTHERWISE NOTED.	DATE: 1/1/82
24. DIMENSIONS ARE TO CENTER UNLESS OTHERWISE NOTED.	DATE: 1/1/82
25. DIMENSIONS ARE TO CENTER UNLESS OTHERWISE NOTED.	DATE: 1/1/82
26. DIMENSIONS ARE TO CENTER UNLESS OTHERWISE NOTED.	DATE: 1/1/82
27. DIMENSIONS ARE TO CENTER UNLESS OTHERWISE NOTED.	DATE: 1/1/82
28. DIMENSIONS ARE TO CENTER UNLESS OTHERWISE NOTED.	DATE: 1/1/82
29. DIMENSIONS ARE TO CENTER UNLESS OTHERWISE NOTED.	DATE: 1/1/82
30. DIMENSIONS ARE TO CENTER UNLESS OTHERWISE NOTED.	DATE: 1/1/82
31. DIMENSIONS ARE TO CENTER UNLESS OTHERWISE NOTED.	DATE: 1/1/82
32. DIMENSIONS ARE TO CENTER UNLESS OTHERWISE NOTED.	DATE: 1/1/82
33. DIMENSIONS ARE TO CENTER UNLESS OTHERWISE NOTED.	DATE: 1/1/82
34. DIMENSIONS ARE TO CENTER UNLESS OTHERWISE NOTED.	DATE: 1/1/82
35. DIMENSIONS ARE TO CENTER UNLESS OTHERWISE NOTED.	DATE: 1/1/82
36. DIMENSIONS ARE TO CENTER UNLESS OTHERWISE NOTED.	DATE: 1/1/82
37. DIMENSIONS ARE TO CENTER UNLESS OTHERWISE NOTED.	DATE: 1/1/82
38. DIMENSIONS ARE TO CENTER UNLESS OTHERWISE NOTED.	DATE: 1/1/82
39. DIMENSIONS ARE TO CENTER UNLESS OTHERWISE NOTED.	DATE: 1/1/82
40. DIMENSIONS ARE TO CENTER UNLESS OTHERWISE NOTED.	DATE: 1/1/82
41. DIMENSIONS ARE TO CENTER UNLESS OTHERWISE NOTED.	DATE: 1/1/82
42. DIMENSIONS ARE TO CENTER UNLESS OTHERWISE NOTED.	DATE: 1/1/82
43. DIMENSIONS ARE TO CENTER UNLESS OTHERWISE NOTED.	DATE: 1/1/82
44. DIMENSIONS ARE TO CENTER UNLESS OTHERWISE NOTED.	DATE: 1/1/82
45. DIMENSIONS ARE TO CENTER UNLESS OTHERWISE NOTED.	DATE: 1/1/82
46. DIMENSIONS ARE TO CENTER UNLESS OTHERWISE NOTED.	DATE: 1/1/82
47. DIMENSIONS ARE TO CENTER UNLESS OTHERWISE NOTED.	DATE: 1/1/82
48. DIMENSIONS ARE TO CENTER UNLESS OTHERWISE NOTED.	DATE: 1/1/82
49. DIMENSIONS ARE TO CENTER UNLESS OTHERWISE NOTED.	DATE: 1/1/82
50. DIMENSIONS ARE TO CENTER UNLESS OTHERWISE NOTED.	DATE: 1/1/82
51. DIMENSIONS ARE TO CENTER UNLESS OTHERWISE NOTED.	DATE: 1/1/82
52. DIMENSIONS ARE TO CENTER UNLESS OTHERWISE NOTED.	DATE: 1/1/82
53. DIMENSIONS ARE TO CENTER UNLESS OTHERWISE NOTED.	DATE: 1/1/82
54. DIMENSIONS ARE TO CENTER UNLESS OTHERWISE NOTED.	DATE: 1/1/82
55. DIMENSIONS ARE TO CENTER UNLESS OTHERWISE NOTED.	DATE: 1/1/82
56. DIMENSIONS ARE TO CENTER UNLESS OTHERWISE NOTED.	DATE: 1/1/82
57. DIMENSIONS ARE TO CENTER UNLESS OTHERWISE NOTED.	DATE: 1/1/82
58. DIMENSIONS ARE TO CENTER UNLESS OTHERWISE NOTED.	DATE: 1/1/82
59. DIMENSIONS ARE TO CENTER UNLESS OTHERWISE NOTED.	DATE: 1/1/82
60. DIMENSIONS ARE TO CENTER UNLESS OTHERWISE NOTED.	DATE: 1/1/82
61. DIMENSIONS ARE TO CENTER UNLESS OTHERWISE NOTED.	DATE: 1/1/82
62. DIMENSIONS ARE TO CENTER UNLESS OTHERWISE NOTED.	DATE: 1/1/82
63. DIMENSIONS ARE TO CENTER UNLESS OTHERWISE NOTED.	DATE: 1/1/82
64. DIMENSIONS ARE TO CENTER UNLESS OTHERWISE NOTED.	DATE: 1/1/82
65. DIMENSIONS ARE TO CENTER UNLESS OTHERWISE NOTED.	DATE: 1/1/82
66. DIMENSIONS ARE TO CENTER UNLESS OTHERWISE NOTED.	DATE: 1/1/82
67. DIMENSIONS ARE TO CENTER UNLESS OTHERWISE NOTED.	DATE: 1/1/82
68. DIMENSIONS ARE TO CENTER UNLESS OTHERWISE NOTED.	DATE: 1/1/82
69. DIMENSIONS ARE TO CENTER UNLESS OTHERWISE NOTED.	DATE: 1/1/82
70. DIMENSIONS ARE TO CENTER UNLESS OTHERWISE NOTED.	DATE: 1/1/82
71. DIMENSIONS ARE TO CENTER UNLESS OTHERWISE NOTED.	DATE: 1/1/82
72. DIMENSIONS ARE TO CENTER UNLESS OTHERWISE NOTED.	DATE: 1/1/82
73. DIMENSIONS ARE TO CENTER UNLESS OTHERWISE NOTED.	DATE: 1/1/82
74. DIMENSIONS ARE TO CENTER UNLESS OTHERWISE NOTED.	DATE: 1/1/82
75. DIMENSIONS ARE TO CENTER UNLESS OTHERWISE NOTED.	DATE: 1/1/82
76. DIMENSIONS ARE TO CENTER UNLESS OTHERWISE NOTED.	DATE: 1/1/82
77. DIMENSIONS ARE TO CENTER UNLESS OTHERWISE NOTED.	DATE: 1/1/82
78. DIMENSIONS ARE TO CENTER UNLESS OTHERWISE NOTED.	DATE: 1/1/82
79. DIMENSIONS ARE TO CENTER UNLESS OTHERWISE NOTED.	DATE: 1/1/82
80. DIMENSIONS ARE TO CENTER UNLESS OTHERWISE NOTED.	DATE: 1/1/82
81. DIMENSIONS ARE TO CENTER UNLESS OTHERWISE NOTED.	DATE: 1/1/82
82. DIMENSIONS ARE TO CENTER UNLESS OTHERWISE NOTED.	DATE: 1/1/82
83. DIMENSIONS ARE TO CENTER UNLESS OTHERWISE NOTED.	DATE: 1/1/82
84. DIMENSIONS ARE TO CENTER UNLESS OTHERWISE NOTED.	DATE: 1/1/82
85. DIMENSIONS ARE TO CENTER UNLESS OTHERWISE NOTED.	DATE: 1/1/82
86. DIMENSIONS ARE TO CENTER UNLESS OTHERWISE NOTED.	DATE: 1/1/82
87. DIMENSIONS ARE TO CENTER UNLESS OTHERWISE NOTED.	DATE: 1/1/82
88. DIMENSIONS ARE TO CENTER UNLESS OTHERWISE NOTED.	DATE: 1/1/82
89. DIMENSIONS ARE TO CENTER UNLESS OTHERWISE NOTED.	DATE: 1/1/82
90. DIMENSIONS ARE TO CENTER UNLESS OTHERWISE NOTED.	DATE: 1/1/82
91. DIMENSIONS ARE TO CENTER UNLESS OTHERWISE NOTED.	DATE: 1/1/82
92. DIMENSIONS ARE TO CENTER UNLESS OTHERWISE NOTED.	DATE: 1/1/82
93. DIMENSIONS ARE TO CENTER UNLESS OTHERWISE NOTED.	DATE: 1/1/82
94. DIMENSIONS ARE TO CENTER UNLESS OTHERWISE NOTED.	DATE: 1/1/82
95. DIMENSIONS ARE TO CENTER UNLESS OTHERWISE NOTED.	DATE: 1/1/82
96. DIMENSIONS ARE TO CENTER UNLESS OTHERWISE NOTED.	DATE: 1/1/82
97. DIMENSIONS ARE TO CENTER UNLESS OTHERWISE NOTED.	DATE: 1/1/82
98. DIMENSIONS ARE TO CENTER UNLESS OTHERWISE NOTED.	DATE: 1/1/82
99. DIMENSIONS ARE TO CENTER UNLESS OTHERWISE NOTED.	DATE: 1/1/82
100. DIMENSIONS ARE TO CENTER UNLESS OTHERWISE NOTED.	DATE: 1/1/82

HARNESS AND LOOM TOLERANCES
 UP TO 60" = -0/+2"
 60" TO 100" = -0/+4"
 100" TO 200" = -0/+5"
 200" TO 400" = -0/+6"
 400" TO 600" = -0/+8"
 OVER 600" = -0/+8"
 80 TO 80 = -0/+2"
 LENGTHS APPLY FROM BREAKOUT TO BREAKOUT, OR BREAKOUT TO WIRE ENTRY SIDE OF CONNECTOR, OR END OF COVER.

BASED ON 005361200

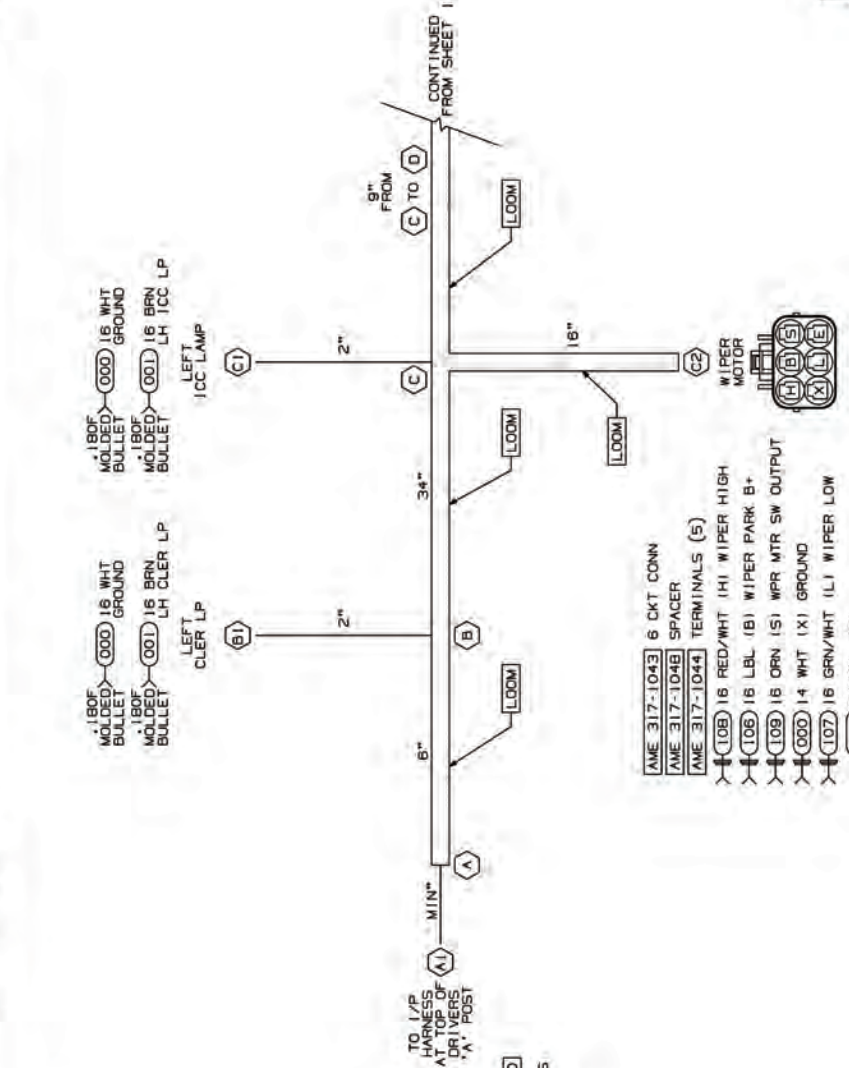
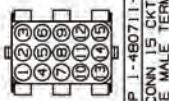
DRAWING NO.	REV.	SMT
007391210	A	2 of 2
DESCRIPTION	DATE	BY
RELEASE FOR PRODUCTION		
A REPRANN & REVISED		

CIRCUIT	GAZ/COLOR	END POINTS	FUNCTION
109	16 ORN	A1,C2	WIPER PK SWITCH OUTPUT
224	14 RED/GRN	A1,D2	BATTERY - SWITCHED
226	14 ORN/GRN	A1,D2	ACCESSORY - SWITCHED
304	16 YEL/BLK	A1,D3	DASH FAN LOW
305	16 GRN/BLK	A1,D3	DASH FAN HIGH
405	16 RED/YEL	A1,E2	AUXILIARY ACCESSORY

CIRCUIT	GAZ/COLOR	END POINTS	FUNCTION
000A	12 WHT	A1,D4, SPLICE 1	GROUND
000	14/16 WHT	B1,C1,C2,D1,D2,E1,E2,E3,SPLICE 1	GROUND
001	16 BRN	A1,B1,C1,D1,E1,E3	CLEARANCE/ICC LPS
004	16 PNK	A1,E2	BACK-UP SIGNAL
106	16 LBL	A1,C2	WIPER PARK SWITCH B+
107	16 GRN/WHT	A1,C2	WIPER LOW
108	16 RED/WHT	A1,C2	WIPER HIGH

[SPLICE 1]
000A, 12 WHT IS TO BE SPLICED TO THE 000A TO CIRCUIT VENDOR TO DETERMINE LOCATION(S)

- ← 000A 12 WHT (11) GROUND
- ← 001 16 BRN (2) CLEARANCE/ICC LAMPS
- ← 004 16 PNK (3) BACK-UP SIGNAL
- ← 106 16 LBL (4) WIPER PARK SWITCH B+
- ← () EMPTY (5)
- ← 107 16 GRN/WHT (6) WIPER LOW
- ← 108 16 RED/WHT (7) WIPER HIGH
- ← () EMPTY (8)
- ← 109 16 ORN (9) WIPER PARK SW OUTPUT
- ← 224 14 RED/GRN (10) BATT (SW)
- ← () EMPTY (11)
- ← 226 14 ORN/GRN (12) ACCY (SW)
- ← 304 16 YEL/BLK (13) FAN LOW
- ← 305 16 GRN/BLK (14) FAN HIGH
- ← 405 16 RED/YEL (15) ACCESSORY



- AME 317-1043 6 CKT CONN
- AME 317-1048 SPACER
- AME 317-1044 TERMINALS (5)
- 106 16 RED/WHT (H) WIPER HIGH
- 108 16 LBL (B) WIPER PARK B+
- 109 16 ORN (S) WPR MTR SW OUTPUT
- 000 14 WHT (X) GROUND
- 107 16 GRN/WHT (L) WIPER LOW
- () EMPTY (E)

PROPRIETARY
This drawing is the property of Morgan Olson. It is to be used only for the purpose intended. All rights reserved. No part of this drawing may be reproduced without the prior written consent of Morgan Olson.

MORGAN NOLSON

SEALING STANDARDS (PLEASE OBSERVE THE NOTIC)
1. ALL DRAWINGS SHALL BE IN ACCORDANCE WITH THE SEALING STANDARDS.
2. ALL DIMENSIONS SHALL BE IN INCHES UNLESS OTHERWISE SPECIFIED.
3. DIMENSIONS SHALL BE TO CENTER UNLESS OTHERWISE SPECIFIED.
4. DIMENSIONS SHALL BE TO THE CENTER OF THE HOLE UNLESS OTHERWISE SPECIFIED.
5. DIMENSIONS SHALL BE TO THE CENTER OF THE HOLE UNLESS OTHERWISE SPECIFIED.

TMC	DATE	DATE
TMC	07-1852	07-1852
20DEC07	20DEC07	20DEC07

DO NOT SCALE
2008 SEED TRK

NAME
HARN ROOF NOSE
2008 SEED TRUCK
2P DYN PK WPR

DRAWING NO.
007391210

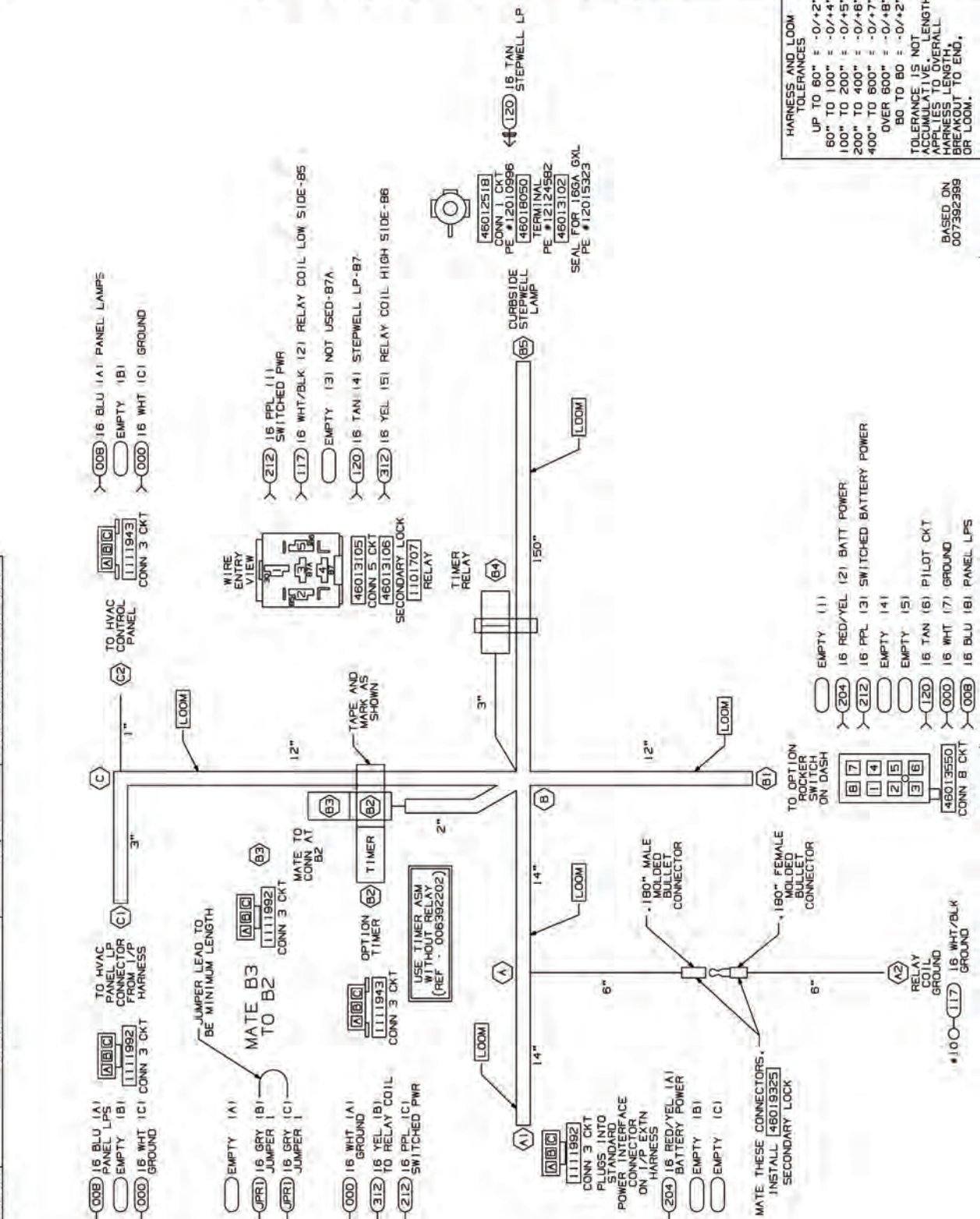
SMT
2 of 2

SCALE
NONE

REV
A

DRAWING NO.	REV	DATE	BY
007392398			
DESCRIPTION			
RELEASE TO PRODUCTION			

CIRCUIT	DESCRIPTION	END POINTS	FUNCTION
000	16 WHT	B1, B2, C1, C2	GROUND
008	16 BLU	B1, C1, C2	PANEL LAMPS
117	16 WHT/BLK	B4, D2	RELAY COIL THRU DOOR SWITCH
120	16 TAN	B1, B4, B5	UNDER STEP LAMP / PILOT CKT
204	16 RED/YEL	A1, B1	BATTERY POWER
212	16 PPL	B1, B2, B4	SWITCHED BATTERY POWER
312	16 YEL	B2, B4	TIMER OUTPUT TO RELAY COIL
JPR1	16 GRAY	B3, B3	JUMPER LEAD FOR NO TIMER



- VENDOR MAY REPLACE PIGTAILS WITH WIRING TO APPROVED MOLDINGS OR CONNECTIONS INSTALLED AS SHOWN IN TERMINAL VIEW.
- HARNESS TO BE TESTED FOR CONTENT, OPENES, SHORTS, AND CONTINUITY.
- CONNECTORS SHOWN FROM WIRE ENTRY SIDE UNLESS OTHERWISE NOTED.
- SPLICES TO BE AUTOMATED WITH STRIPPING DEVICES. WIRE STRIPPING DEVICES ARE ACCEPTABLE FOR M.O. FABRICATION IF NECESSARY.
- TAPE (1111096): 6" AT BREAKOUTS AND 2" AT LOOM ENDS.
- HARNESS TO HAVE A LABEL WITH PART NUMBER, REVISION LEVEL, AND DATE OF MANUFACTURE.
- SPLIT POLY LOOM UNLESS OTHERWISE NOTED.
- 3XL WIRE.

NOTES:

PROPRIETARY

This drawing and the information and data contained hereon are the property of Morgan Olson and are not to be reproduced, stored in a retrieval system, or transmitted in any form or by any means, electronic, mechanical, photocopying, recording, or by any information storage and retrieval system, without the prior written consent of Morgan Olson.

MORGAN OLSON

INTERNAL STANDARD VALUE OPERATIVE NOTION

1. ANALYSIS & D.S. APPROVED: JAK 1-2008

2. OVER-ALL PARTING ALL HATCHES COOPER MUST BE

3. ALL DIMENSIONS ARE IN INCHES UNLESS OTHERWISE SPECIFIED

4. DIMENSIONS OF 1111096 SHALL BE

DATE: 10JUL07 TMC: TMC: 07-10B3

DATE: 10JUL07 TMC: TMC: 07-10B3

DO NOT SCALE

HARNESS AND LOOM TOLERANCES

UP TO 60" = -0/+2"

60" TO 100" = -0/+4"

100" TO 200" = -0/+5"

200" TO 400" = -0/+6"

400" TO 600" = -0/+7"

OVER 600" = -0/+8"

BO TO BO = -0/+2"

TOLERANCE IS NOT APPLICATIVE. LENGTH APPLIES TO OVERALL HARNESS LENGTH, NOT BREAKOUT TO END, OR LOOM.

BASED ON 007392398

DRAWING NO.	REV.	REV.	DATE
05M279200	C		10/11
DESCRIPTION	REV.	NO DATE	
RELEASE TO PRODUCTION	A	NO DATE	
ADDED DOOC	B	NO DATE	
180°F BELLETS AT A2	C	NO DATE	
WIRE BUILT CONNECTORS		NO DATE	
REDRAWN & REVISED		NO DATE	

- VENDOR MAY REPLACE PIGTAILS WITH WIRING TO APPROVED MOLDINGS OR CONNECTORS. PIGTAILS SHOWN IN TERMINAL VIEW.
- HARNESS TO BE TESTED FOR CONTENT, OPENS, SHORTS, AND CONTINUITY.
- CONNECTORS SHOWN FROM WIRE ENTRY SIDE, UNLESS OTHERWISE NOTED.
- SPLICES TO BE AUTOMATED WITH SOLDER AND ADHESIVE LINED HEAT SHRINK TUBING.
- TAPE [1111098]: 6" AT BREAKOUTS AND 2" AT LOOM ENDS.
- HARNESS TO HAVE A LABEL SHOWING MORGAN OLSON PART NUMBER, REVISION AND MANUFACTURE DATE.
- SPLIT POLY LOOM UNLESS OTHERWISE NOTED.
- GXL WIRE.

MORGAN OLSON

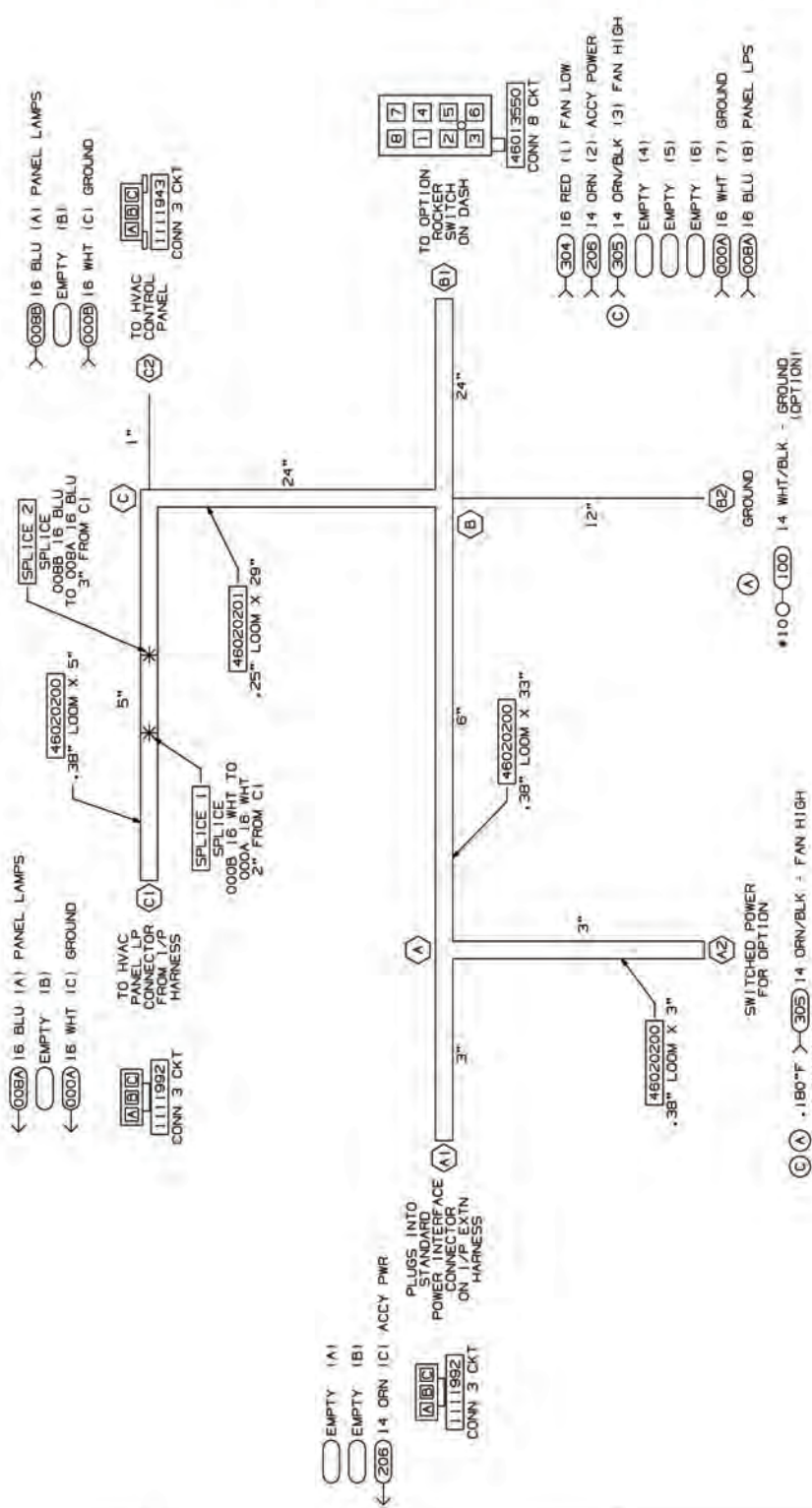
PROPRIETARY
 This document is the property of Morgan Olson. It is not to be reproduced, stored in a retrieval system, or transmitted in any form or by any means, electronic, mechanical, photocopying, recording, or by any information storage and retrieval system, without the prior written permission of Morgan Olson.

GENERAL STANDARDIZATION SPECIFICATIONS
 1. WIRE: AWG 16-24, 1/8" DIA. MINIMUM
 2. WIRE COLOR: SEE DRAWING
 3. WIRE AT TERMINAL: ALL WIRE CONNECTORS MUST BE PREPARED TO BE WIRE BUILT
 4. ALL WIRE MUST BE STRIPPED TO THE CORRECT LENGTH

DATE: 21 JUL 05
 TIME: 15:22
 DRAWN BY: TMC
 CHECKED BY: GIL
 SCALE: NONE
 SHEET: 1 OF 1

05M279200

CIRCUIT	DESCRIPTION	END POINTS	FUNCTION
000A	16 WHT 053 46018504 OE 46017505	C1,B1	GROUND
000B	16 WHT 004 1111944 OE STR .25	C2,SPLICE 1	GROUND
000A	16 BLU 053 46018504 OE 46017505	C1,B1	PANEL LAMPS
000B	16 BLU 003 1111944 OE STR .25	C2,SPLICE 2	PANEL LAMPS
100	14 WHT/BLK 021 46019309 OE 1111836	A2,B2	GROUND (OPTION)
206	14 ORN 033 46018504 OE 46017505	A1,B1	ACCESSORY POWER
304	16 RED 033 46019309 OE 46017505	A2,B1	FAN LOW
305	14 DRN/BLK 033 46019309 OE 46017505	A2,B1	FAN HIGH



DRAWING NO.	REV	SHT
090093202	A	1 OF 1
DESCRIPTION	DATE	BY
RELEASE FOR PRODUCTION		
A 80" WAS 84"	DATE	BY

9. THIS IS A PURCHASED HARNESS AND FULL OF MATERIAL EXISTS.
8. VENDOR MAY REPLACE PIGTAILS WITH WIRING TO APPROVED MODIFIED OR CONNECTOR PIGTAILS SHOWN IN TERMINAL VIEW.
7. HARNESS TO BE TESTED FOR CONTENT, OPENS, SHORTS, AND CONTINUITY.
6. CONNECTORS SHOWN FROM WIRE ENTRY SIDE, UNLESS OTHERWISE NOTED.
5. SPLICES TO BE AUTOMATED WITH COLD WIRE AND CONCLUSIVE LINED HEAT SHRINK TUBING.
4. TAPE [1111096]: 6" AT BREAKOUTS 2" AT 18" INTERVALS FOR UNINTERRUPTED LOOM LENGTHS GREATER THAN 24", AND 2" AT LOOM ENDS.
3. HARNESS TO HAVE A LABEL SHOWING MORGAN OLSON PART NUMBER, REVISION LEVEL, AND DATE OF MANUFACTURE.
2. SPLIT POLY LOOM UNLESS OTHERWISE NOTED.
1. GXL WIRE.

NOTES:

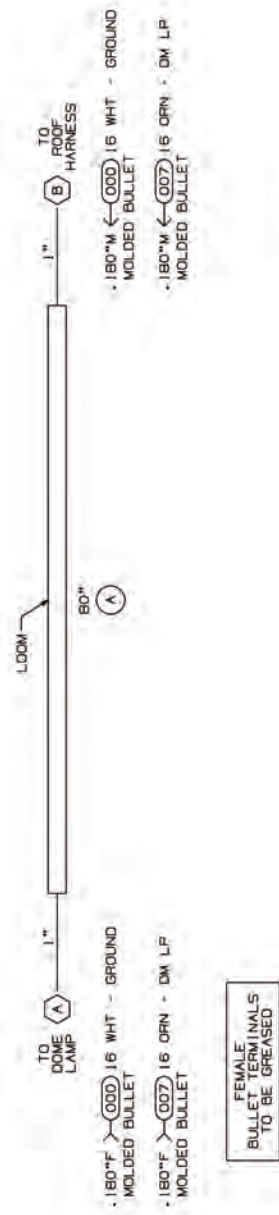
PROPRIETARY
 This drawing and the information used hereon constitute the property of Morgan Olson. It is to be used only for the purpose intended. No part of this drawing is to be reproduced or transmitted in any form or by any means, electronic, mechanical, photocopying, recording, or by any information storage and retrieval system, without the prior written permission of Morgan Olson.



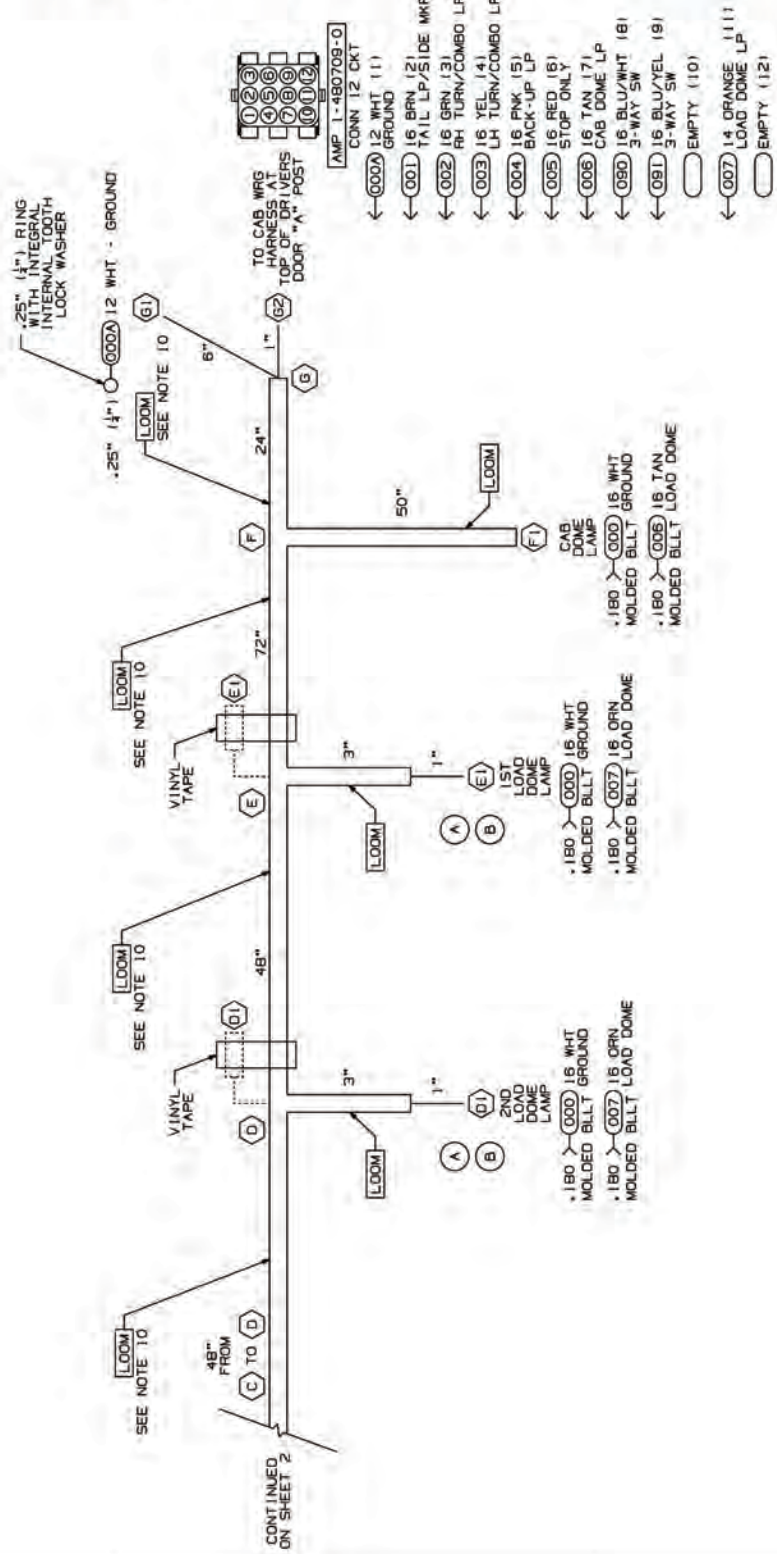
MATERIAL SPECIFICATIONS UNLESS OTHERWISE NOTED	
1. WIRE: GXL	DATE: 11/19
2. FOR ALL PARTS ALL HARNESS MUST BE APPROVED BY THE DESIGN ENGINEER	
3. FOR ALL PARTS ALL HARNESS MUST BE APPROVED BY THE DESIGN ENGINEER	
DATE: 28OCT09	DATE: 28OCT09
DFW	DFW
DO NOT SCALE	DO NOT SCALE
NAME: HARN JPR CRG D/LP GEN: 1808LLT	
SHT	SCALE
1 OF 1	NONE
DRAWING NO.	REV
090093202	A

HARNESS AND LOOM TOLERANCES	
UP TO 60"	: -0/+2"
60" TO 100"	: -0/+4"
100" TO 200"	: -0/+5"
200" TO 400"	: -0/+8"
400" TO 600"	: -0/+7"
OVER 600"	: -0/+8"
BO TO BO	: -0/+2"
LENGTHS APPLY FROM BREAKOUT TO BREAKOUT, OR BREAKOUT TO WIRE ENTRY SIDE OF CONNECTOR, OR END OF COVER.	

FIRST USE:
 CV100632
 BASED ON:
 007388328



DRAWING NO.	REV.	SHT
093093203	B	1 of 2
DESCRIPTION	DATE	BY
RELEASE TO PRODUCTION		
A REV'D DOME LAMP	LW	2/24/02
B REV'D DM LP B/O'S	DEB	2/24/02



10. MAIN TRUNK OF HARNESS MUST FIT IN A .75 DIA. WIRE CHANNEL
9. THIS IS A PURCHASED HARNESS. NO BILL OF MATERIAL EXISTS.
8. VENDOR MAY REPLACE WITH WIRE OF APPROVED MOLDINGS OR CONNECTORS. PIGTAILS SHOWN IN TERMINAL VIEW.
7. HARNESS TO BE TESTED FOR CONTACT OPENS, SHORTS, AND CONTINUITY.
6. CONNECTORS SHOWN FROM WIRE ENTRY SIDE, UNLESS OTHERWISE NOTED.
5. SPLICES TO BE AUTOMATED WITH HEAT SHRINK TUBING. HEAT SHRINK BUTT SPLICES ARE ACCEPTABLE FOR M-O FABRICATION IF NECESSARY.
4. TAPE [1111098]: 6" AT BREAKOUTS AND 2" AT LOOM ENDS.
3. HARNESS TO HAVE A LABEL SHOWING MORGAN OLSON PART NUMBER, REVISION NUMBER, AND DATE OF MANUFACTURE.
2. SPLIT POLY LOOM UNLESS OTHERWISE NOTED.
1. GXL WIRE.

NOTES:
 1. GXL WIRE.
 2. SPLIT POLY LOOM UNLESS OTHERWISE NOTED.
 3. HARNESS TO HAVE A LABEL SHOWING MORGAN OLSON PART NUMBER, REVISION NUMBER, AND DATE OF MANUFACTURE.

PROPRIETARY

This drawing is the property of Morgan Olson. It is to be used only for the specific part and vehicle for which it was prepared. It is not to be reproduced, copied, or transmitted in any form or by any means, electronic or mechanical, including photocopying, recording, or by any information storage and retrieval system, without the prior written permission of Morgan Olson.

MORGAN OLSON

GENERAL STANDARD SALES OPERATING NOTES:
 1. ALL DIMENSIONS ARE IN INCHES UNLESS OTHERWISE NOTED.
 2. DIMENSIONS IN PARENTHESIS ARE TOLERANCES.
 3. DIMENSIONS IN SQUARE PARENTHESIS ARE TOLERANCES.
 4. DIMENSIONS IN BRACKETED PARENTHESIS ARE TOLERANCES.
 5. DIMENSIONS IN DASHED PARENTHESIS ARE TOLERANCES.

TJM	DATE	DATE	DATE
		28B36	21/APROB

DO NOT SCALE

HARNESS, ROOF 21', 24' 6"
 M100 TRUCK .180F BLTT

SHT 1 of 2
 SCALE NONE
 REV B

HARNESS AND LOOM TOLERANCES

UP TO 60"	= -0/+2"
60" TO 100"	= -0/+4"
100" TO 200"	= -0/+5"
200" TO 400"	= -0/+6"
400" TO 800"	= -0/+7"
OVER 800"	= -0/+8"

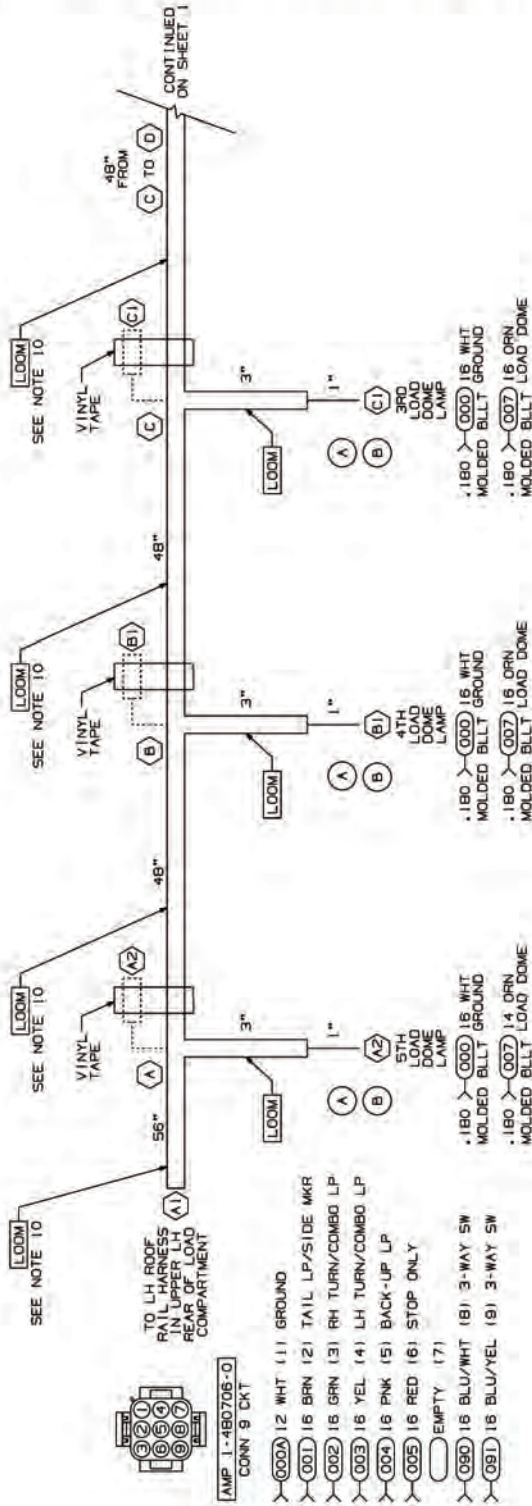
BO TO BO = -0/+2"
 TOLERANCE IS NOT ACCUMULATIVE. LENGTH APPLIES TO OVERALL HARNESS LENGTH, BREAKOUT TO END, OR LOOM.

DRAWING NO.	REV	SMT
093093203	B	2 OF 2
DESCRIPTION	DATE	BY
RELEASE TO PRODUCTION		
REVISED LAMP BREAKOUT LENGTH	DATE	BY
REV'D DM LP B/O'S	DATE	BY

SPLICE 1
000A 12 WHIT IS TO BE SPLICED TO THE 000 WHIT CIRCUIT. VENDOR TO DETERMINE LOCATION(S)

CIRCUIT	DESCRIPTION	END POINTS	FUNCTION
000A	12 WHIT	A1, B1, G2, SPLICE 1	GROUND
000	14/16 WHIT	A2, B1, C1, D1, E1, F1, SPLICE 1	GROUND
001	16 BRN	A1, G2	CLERK/ICC LPS
002	16 GRN	A1, G2	RH TURN LP
003	16 YEL	A1, G2	LH TURN LP
004	16 PNK	A1, G2	BACK-UP LPS
005	16 RED	A1, G2	STOP LPS
006	16 TAN	F1, G2	CAB DOME LP
007	14/16 ORN	A2, B1, C1, D1, E1, G2	LOAD DOME LAMPS
090	16 BLU/WHIT	A1, G2	3-WAY SWITCH - LOAD DMS
091	16 BLU/YEL	A1, G2	3-WAY SWITCH - LOAD DMS

10. MAIN TRUNK OF HARNESS MUST FIT IN A .75 DIA. WIRE CHANNEL.
9. THIS IS A PURCHASED HARNESS. NO BILL OF MATERIAL EXISTS.
8. VENDOR MAY REPLACE PIGTAILS WITH WIRING TO APPROVED MOLDINGS OR CONNECTORS. PIGTAILS SHOWN IN TERMINAL VIEW.
7. HARNESS TO BE TESTED FOR CONTENT, OPENS, SHORTS, AND CONTINUITY.
6. CONNECTORS SHOWN FROM WIRE ENDARY SIDE, UNLESS OTHERWISE NOTED.
5. SPLICES TO BE AUTOMATED WITH HEAT SHRINK TUBING. ALL SPLICES FOR M.O. FABRICATION IF NECESSARY.
4. TAPE (1111096): 6" AT BREAKOUTS AND 2" AT LOOM ENDS.
3. HARNESS TO HAVE A LABEL PART NUMBER, REVISION LEVEL, AND DATE OF MANUFACTURE.
2. SPLIT POLY LOOM UNLESS OTHERWISE NOTED.
1. GAL WIRE.



PROPRIETARY

This drawing and the information and data contained herein are the property of Morgan Olson and shall remain confidential. No part of this drawing may be reproduced or transmitted in any form or by any means, electronic, mechanical, photocopying, recording, or by any information storage and retrieval system, without the prior written permission of Morgan Olson.

MORGAN NOLSON

DATE: 2/11/09
BY: TJM
REV: 2/11/09

DO NOT SCALE

HARNESS ROOF 21'-24'-6"
M100 TRUCK, 180F BLTT

SMT: NONE
DRAWING NO.: 093093203
REV: B

HARNESS AND LOOM TOLERANCES

UP TO 60" = -0/+2"
60" TO 100" = -0/+4"
100" TO 200" = -0/+5"
200" TO 400" = -0/+6"
400" TO 600" = -0/+7"
OVER 600" = -0/+8"

80" TO 90" = -0/+2"
TOLERANCE IS NOT LENGTH APPLICABLE TO OVERALL HARNESS LENGTH, BREAKOUT TO END, OR LOOM.

DRAWING NO.	REV.	DESCRIPTION	DATE
093093205	B	RELEASE TO PRODUCTION	
		REWORK & REVISED	
		APPROVED FOR PRODUCTION	
		CONNECTION AT USE	

REV.	DESCRIPTION	DATE
A	REWORK & REVISED	
B	APPROVED FOR PRODUCTION	
	CONNECTION AT USE	

REV.	DESCRIPTION	DATE

REV.	DESCRIPTION	DATE

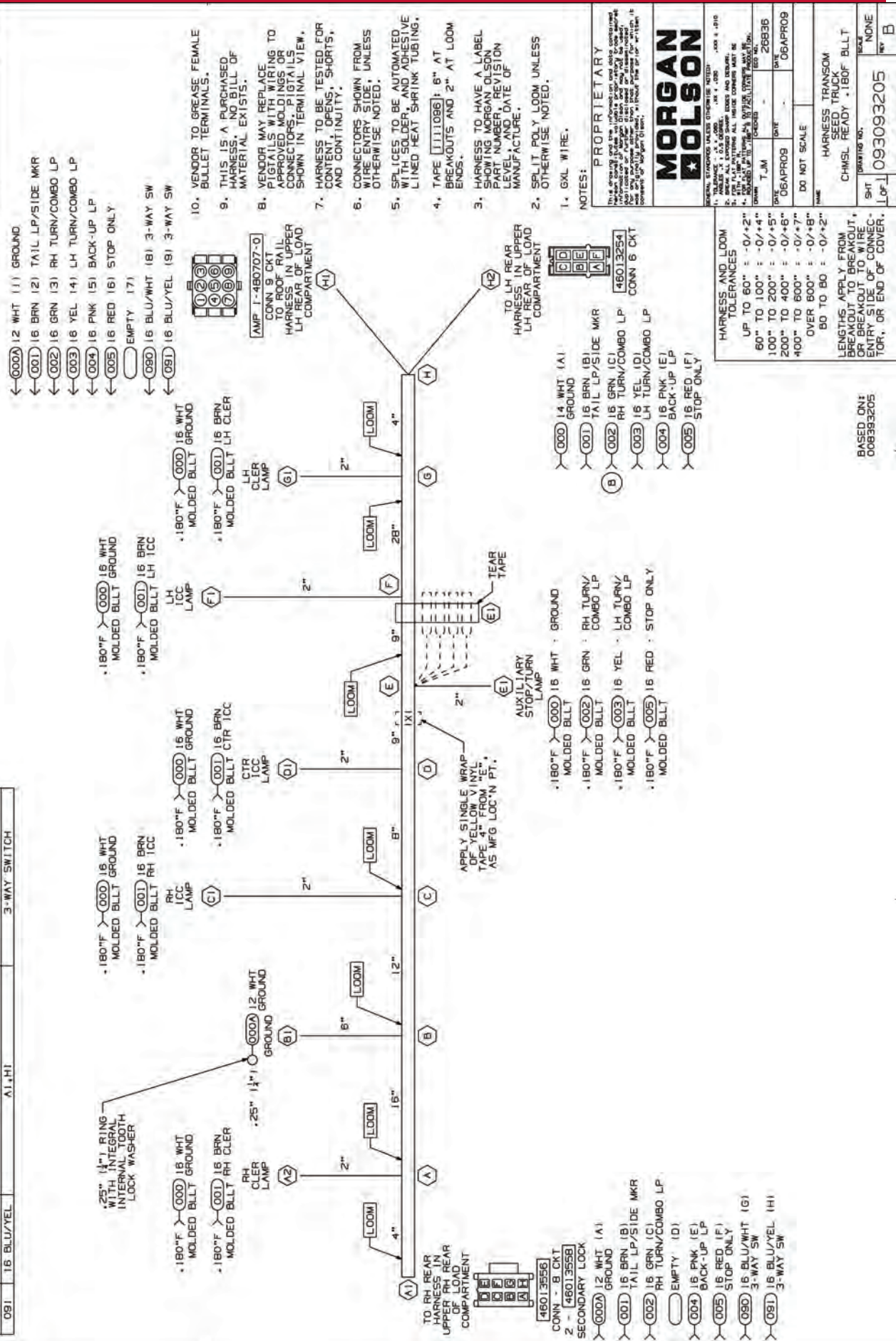
REV.	DESCRIPTION	DATE

REV.	DESCRIPTION	DATE

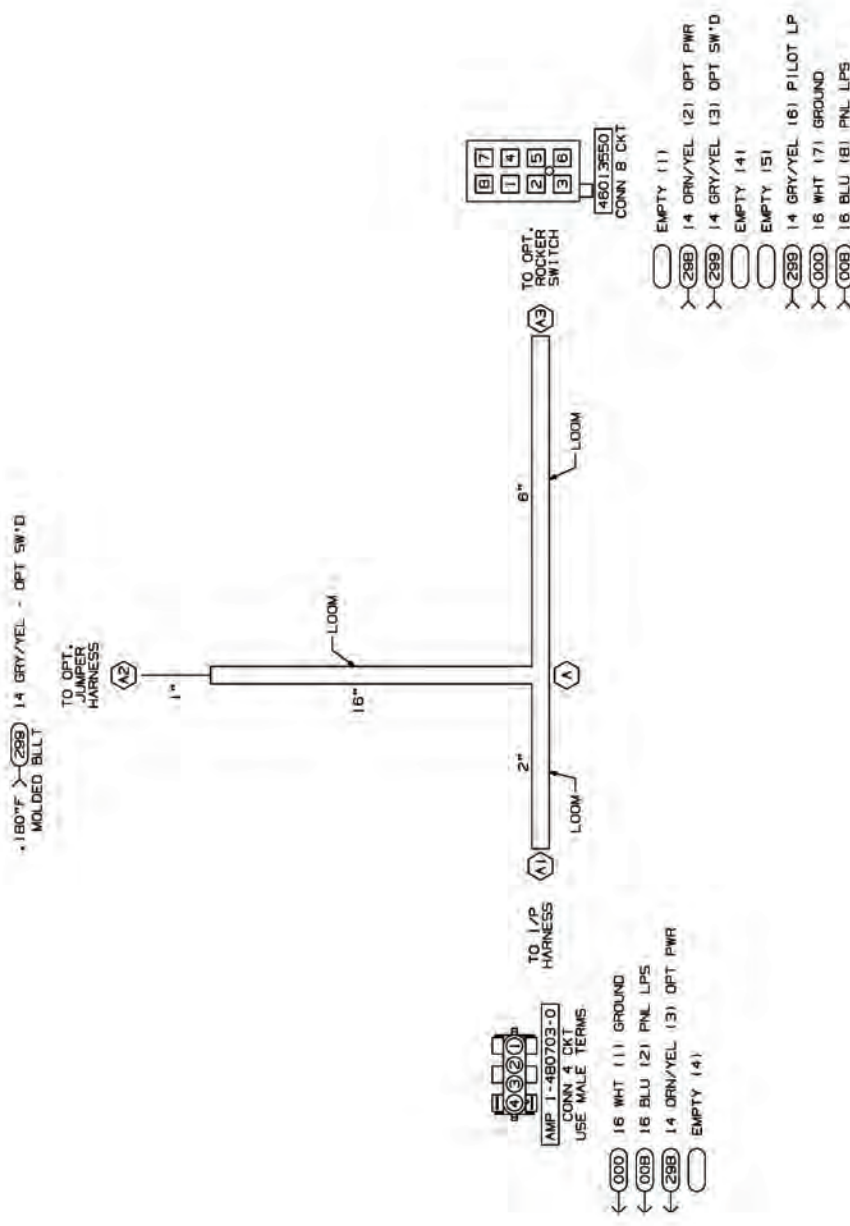
REV.	DESCRIPTION	DATE

REV.	DESCRIPTION	DATE

REV.	DESCRIPTION	DATE



DRAWING NO.	REV.	SKT
102084201		1 of 1
DESCRIPTION	DATE	
RELEASE FOR PRODUCTION		



9. THIS IS A PURCHASED HARNESS. NO BILL OF MATERIAL EXISTS.
8. VENDOR MAY REPLACE WITH PARTS TO APPROVED MOLDS OR CONNECTORS. PICTAILS SHOWN IN TERMINAL VIEW.
7. HARNESS TO BE TESTED FOR OPEN, SHORTS, AND CONTINUITY.
6. CONNECTORS SHOWN FROM WIRE ENTRY SIDE, UNLESS OTHERWISE NOTED.
5. SPLICES TO BE AUTOMATED WITH SOLDER AND ADHESIVE LINED HEAT SHRINK TUBING.
4. TAPE (1111098): 8" AT BREAKOUTS AND 2" AT LOOM ENDS.
3. HARNESS TO HAVE A LABEL SHOWING MORGAN OLSON PART NUMBER, REVISION LEVEL, AND DATE OF MANUFACTURE.
2. SPLIT POLY LOOM UNLESS OTHERWISE NOTED.
1. GXL WIRE

NOTES:

PROPRIETARY
 This drawing is the property of Morgan Olson. It is to be used only for the purpose intended. It is not to be reproduced, copied, or transmitted in any form or by any means, electronic, mechanical, or otherwise, without the prior written permission of Morgan Olson.



REV. 1	DATE	BY	CHKD.
1			
2			
3			
4			
5			
6			
7			
8			
9			
10			
11			
12			
13			
14			
15			
16			
17			
18			
19			
20			
21			
22			
23			
24			
25			
26			
27			
28			
29			
30			
31			
32			
33			
34			
35			
36			
37			
38			
39			
40			
41			
42			
43			
44			
45			
46			
47			
48			
49			
50			
51			
52			
53			
54			
55			
56			
57			
58			
59			
60			
61			
62			
63			
64			
65			
66			
67			
68			
69			
70			
71			
72			
73			
74			
75			
76			
77			
78			
79			
80			
81			
82			
83			
84			
85			
86			
87			
88			
89			
90			
91			
92			
93			
94			
95			
96			
97			
98			
99			
100			

HARNESS AND LOOM TOLERANCES	
UP TO 60" = -0/+2"	
60" TO 100" = -0/+4"	
100" TO 200" = -0/+5"	
200" TO 400" = -0/+8"	
400" TO 600" = -0/+7"	
OVER 600" = -0/+8"	
60 TO 90 = -0/+2"	
LENGTHS APPLY FROM BREAKOUT TO BREAKOUT, OR BREAKOUT TO WIRE ENTRY SIDE OF CONNECTOR, OR END OF COVER.	

FIRST USE:
 4. CV100770
 5. JVC00355
 6. USED UNIT
 098084201

DRAWING NO.	REV.	SMT
102092202		1 of 1
DESCRIPTION	DATE	
RELEASE FOR PRODUCTION		

9. THIS IS A PURCHASED HARNESS. NO BILL OF MATERIAL EXISTS.
8. VENDOR MAY REPLACE WITH WIRING TO APPROVED MOLDS OR CONNECTORS. PICTAILS SHOWN IN TERMINAL VIEW.
7. HARNESS TO BE TESTED FOR CONNECTORS, SHORTS, AND CONTINUITY.
6. CONNECTORS SHOWN FROM WIRE ENTRY SIDE, UNLESS OTHERWISE NOTED.
5. SPLICES TO BE AUTOMATED WITH SOLDER, AND ADHESIVE LINED HEAT SHRINK TUBING.
4. TAPE (1111098): 6" AT BREAKOUTS, 2" AT 18" INTERVALS FOR UNINTERRUPTED L/W LENGTHS GREATER THAN 24", AND 2" AT LOOM ENDS.
3. HARNESS TO HAVE A LABEL SHOWING MORGAN OLSON PART NUMBER, REVISION LEVEL, AND DATE OF MANUFACTURE.
2. SPLIT NYLON LOOM, BLACK WITH GRAY STRIPE, UNLESS OTHERWISE NOTED.
1. GXL WIRE.

NOTES:

PROPRIETARY
This document is the property of Morgan Olson. It is to be used only for the purpose intended. All rights are reserved. No part of this document may be reproduced, stored in a retrieval system, or transmitted in any form or by any means, electronic, mechanical, photocopying, recording, or by any information storage and retrieval system, without the prior written permission of Morgan Olson.

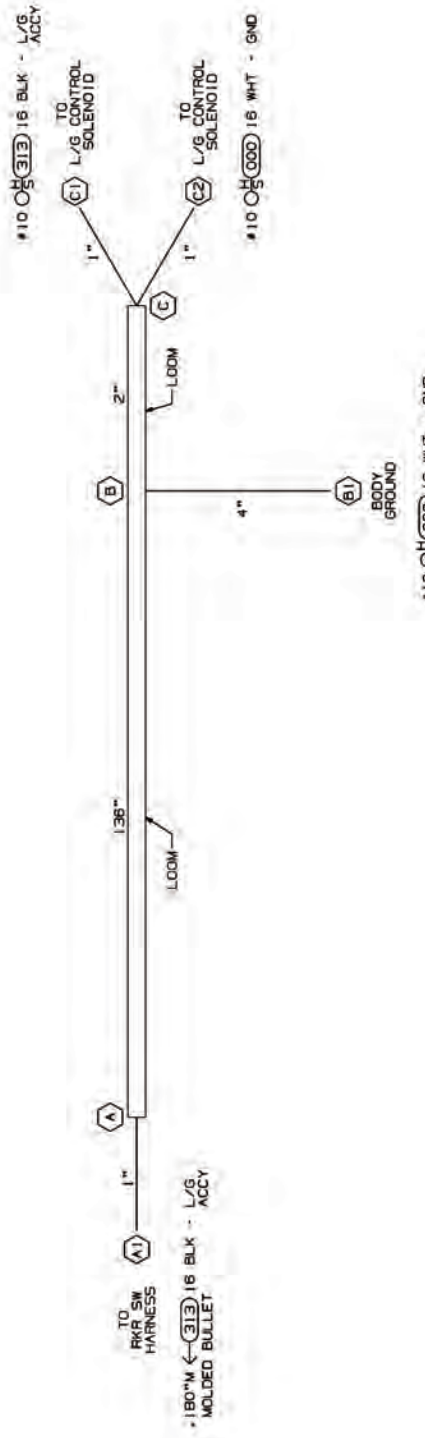


1. PART NO.	REV.	DATE	BY
102092202		03APR10	
2. PART NAME	DATE	DATE	DATE
HARN T L/G SOL CTRL	03APR10	03APR10	
3. PART NUMBER	DATE	DATE	DATE
102092202	03APR10	03APR10	
4. PART NAME	DATE	DATE	DATE
HARN T L/G SOL CTRL	03APR10	03APR10	
5. PART NUMBER	DATE	DATE	DATE
102092202	03APR10	03APR10	
6. PART NAME	DATE	DATE	DATE
HARN T L/G SOL CTRL	03APR10	03APR10	
7. PART NUMBER	DATE	DATE	DATE
102092202	03APR10	03APR10	
8. PART NAME	DATE	DATE	DATE
HARN T L/G SOL CTRL	03APR10	03APR10	
9. PART NUMBER	DATE	DATE	DATE
102092202	03APR10	03APR10	
10. PART NAME	DATE	DATE	DATE
HARN T L/G SOL CTRL	03APR10	03APR10	
11. PART NUMBER	DATE	DATE	DATE
102092202	03APR10	03APR10	
12. PART NAME	DATE	DATE	DATE
HARN T L/G SOL CTRL	03APR10	03APR10	
13. PART NUMBER	DATE	DATE	DATE
102092202	03APR10	03APR10	
14. PART NAME	DATE	DATE	DATE
HARN T L/G SOL CTRL	03APR10	03APR10	
15. PART NUMBER	DATE	DATE	DATE
102092202	03APR10	03APR10	
16. PART NAME	DATE	DATE	DATE
HARN T L/G SOL CTRL	03APR10	03APR10	
17. PART NUMBER	DATE	DATE	DATE
102092202	03APR10	03APR10	
18. PART NAME	DATE	DATE	DATE
HARN T L/G SOL CTRL	03APR10	03APR10	
19. PART NUMBER	DATE	DATE	DATE
102092202	03APR10	03APR10	
20. PART NAME	DATE	DATE	DATE
HARN T L/G SOL CTRL	03APR10	03APR10	

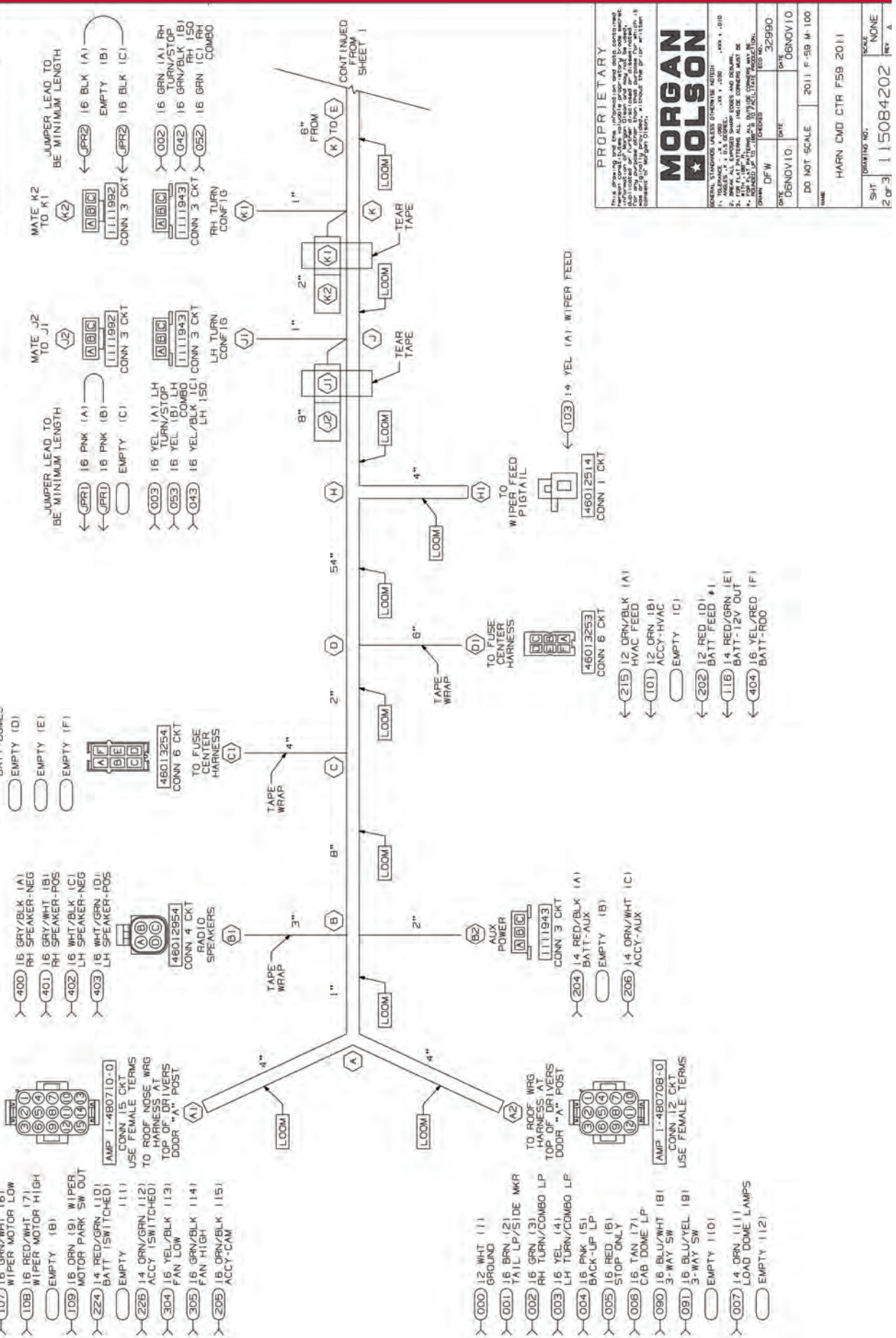
HARNESS AND LOOM TOLERANCES

UP TO 60"	= -0/+2"
60" TO 100"	= -0/+4"
100" TO 200"	= -0/+5"
200" TO 400"	= -0/+6"
400" TO 600"	= -0/+7"
OVER 600"	= -0/+8"
BO TO BO	= -0/+2"

LENGTHS APPLY FROM BREAKOUT BEZEL TO WIRE ENTRY SIDE OF CONNECTOR, OR END OF COVER.



REV.	DESCRIPTION	DATE
1	RELEASE FOR PRODUCTION	
2	11 5" LOOMED W/AS 2"	03/20/11
3	21 6" W/AS 4"	03/20/11



PROPRIETARY

MORGAN OLSON

GENERAL STANDARD JAKES IDENTIFICATION NOTCH

1. NUMBER 1, 2, 3, 4, 5, 6, 7, 8, 9, 10, 11, 12, 13, 14, 15, 16, 17, 18, 19, 20, 21, 22, 23, 24, 25, 26, 27, 28, 29, 30, 31, 32, 33, 34, 35, 36, 37, 38, 39, 40, 41, 42, 43, 44, 45, 46, 47, 48, 49, 50, 51, 52, 53, 54, 55, 56, 57, 58, 59, 60, 61, 62, 63, 64, 65, 66, 67, 68, 69, 70, 71, 72, 73, 74, 75, 76, 77, 78, 79, 80, 81, 82, 83, 84, 85, 86, 87, 88, 89, 90, 91, 92, 93, 94, 95, 96, 97, 98, 99, 100, 101, 102, 103, 104, 105, 106, 107, 108, 109, 110, 111, 112, 113, 114, 115, 116, 117, 118, 119, 120, 121, 122, 123, 124, 125, 126, 127, 128, 129, 130, 131, 132, 133, 134, 135, 136, 137, 138, 139, 140, 141, 142, 143, 144, 145, 146, 147, 148, 149, 150, 151, 152, 153, 154, 155, 156, 157, 158, 159, 160, 161, 162, 163, 164, 165, 166, 167, 168, 169, 170, 171, 172, 173, 174, 175, 176, 177, 178, 179, 180, 181, 182, 183, 184, 185, 186, 187, 188, 189, 190, 191, 192, 193, 194, 195, 196, 197, 198, 199, 200, 201, 202, 203, 204, 205, 206, 207, 208, 209, 210, 211, 212, 213, 214, 215, 216, 217, 218, 219, 220, 221, 222, 223, 224, 225, 226, 227, 228, 229, 230, 231, 232, 233, 234, 235, 236, 237, 238, 239, 240, 241, 242, 243, 244, 245, 246, 247, 248, 249, 250, 251, 252, 253, 254, 255, 256, 257, 258, 259, 260, 261, 262, 263, 264, 265, 266, 267, 268, 269, 270, 271, 272, 273, 274, 275, 276, 277, 278, 279, 280, 281, 282, 283, 284, 285, 286, 287, 288, 289, 290, 291, 292, 293, 294, 295, 296, 297, 298, 299, 300, 301, 302, 303, 304, 305, 306, 307, 308, 309, 310, 311, 312, 313, 314, 315, 316, 317, 318, 319, 320, 321, 322, 323, 324, 325, 326, 327, 328, 329, 330, 331, 332, 333, 334, 335, 336, 337, 338, 339, 340, 341, 342, 343, 344, 345, 346, 347, 348, 349, 350, 351, 352, 353, 354, 355, 356, 357, 358, 359, 360, 361, 362, 363, 364, 365, 366, 367, 368, 369, 370, 371, 372, 373, 374, 375, 376, 377, 378, 379, 380, 381, 382, 383, 384, 385, 386, 387, 388, 389, 390, 391, 392, 393, 394, 395, 396, 397, 398, 399, 400, 401, 402, 403, 404, 405, 406, 407, 408, 409, 410, 411, 412, 413, 414, 415, 416, 417, 418, 419, 420, 421, 422, 423, 424, 425, 426, 427, 428, 429, 430, 431, 432, 433, 434, 435, 436, 437, 438, 439, 440, 441, 442, 443, 444, 445, 446, 447, 448, 449, 450, 451, 452, 453, 454, 455, 456, 457, 458, 459, 460, 461, 462, 463, 464, 465, 466, 467, 468, 469, 470, 471, 472, 473, 474, 475, 476, 477, 478, 479, 480, 481, 482, 483, 484, 485, 486, 487, 488, 489, 490, 491, 492, 493, 494, 495, 496, 497, 498, 499, 500, 501, 502, 503, 504, 505, 506, 507, 508, 509, 510, 511, 512, 513, 514, 515, 516, 517, 518, 519, 520, 521, 522, 523, 524, 525, 526, 527, 528, 529, 530, 531, 532, 533, 534, 535, 536, 537, 538, 539, 540, 541, 542, 543, 544, 545, 546, 547, 548, 549, 550, 551, 552, 553, 554, 555, 556, 557, 558, 559, 560, 561, 562, 563, 564, 565, 566, 567, 568, 569, 570, 571, 572, 573, 574, 575, 576, 577, 578, 579, 580, 581, 582, 583, 584, 585, 586, 587, 588, 589, 590, 591, 592, 593, 594, 595, 596, 597, 598, 599, 600, 601, 602, 603, 604, 605, 606, 607, 608, 609, 610, 611, 612, 613, 614, 615, 616, 617, 618, 619, 620, 621, 622, 623, 624, 625, 626, 627, 628, 629, 630, 631, 632, 633, 634, 635, 636, 637, 638, 639, 640, 641, 642, 643, 644, 645, 646, 647, 648, 649, 650, 651, 652, 653, 654, 655, 656, 657, 658, 659, 660, 661, 662, 663, 664, 665, 666, 667, 668, 669, 670, 671, 672, 673, 674, 675, 676, 677, 678, 679, 680, 681, 682, 683, 684, 685, 686, 687, 688, 689, 690, 691, 692, 693, 694, 695, 696, 697, 698, 699, 700, 701, 702, 703, 704, 705, 706, 707, 708, 709, 710, 711, 712, 713, 714, 715, 716, 717, 718, 719, 720, 721, 722, 723, 724, 725, 726, 727, 728, 729, 730, 731, 732, 733, 734, 735, 736, 737, 738, 739, 740, 741, 742, 743, 744, 745, 746, 747, 748, 749, 750, 751, 752, 753, 754, 755, 756, 757, 758, 759, 760, 761, 762, 763, 764, 765, 766, 767, 768, 769, 770, 771, 772, 773, 774, 775, 776, 777, 778, 779, 780, 781, 782, 783, 784, 785, 786, 787, 788, 789, 790, 791, 792, 793, 794, 795, 796, 797, 798, 799, 800, 801, 802, 803, 804, 805, 806, 807, 808, 809, 810, 811, 812, 813, 814, 815, 816, 817, 818, 819, 820, 821, 822, 823, 824, 825, 826, 827, 828, 829, 830, 831, 832, 833, 834, 835, 836, 837, 838, 839, 840, 841, 842, 843, 844, 845, 846, 847, 848, 849, 850, 851, 852, 853, 854, 855, 856, 857, 858, 859, 860, 861, 862, 863, 864, 865, 866, 867, 868, 869, 870, 871, 872, 873, 874, 875, 876, 877, 878, 879, 880, 881, 882, 883, 884, 885, 886, 887, 888, 889, 890, 891, 892, 893, 894, 895, 896, 897, 898, 899, 900, 901, 902, 903, 904, 905, 906, 907, 908, 909, 910, 911, 912, 913, 914, 915, 916, 917, 918, 919, 920, 921, 922, 923, 924, 925, 926, 927, 928, 929, 930, 931, 932, 933, 934, 935, 936, 937, 938, 939, 940, 941, 942, 943, 944, 945, 946, 947, 948, 949, 950, 951, 952, 953, 954, 955, 956, 957, 958, 959, 960, 961, 962, 963, 964, 965, 966, 967, 968, 969, 970, 971, 972, 973, 974, 975, 976, 977, 978, 979, 980, 981, 982, 983, 984, 985, 986, 987, 988, 989, 990, 991, 992, 993, 994, 995, 996, 997, 998, 999, 1000.

DATE	DATE
06NOV10	06NOV10
DO NOT SCALE	2011 F-59 M-100
NAME	HARN CMD CTR F59 2011
DRAWING NO.	SCALE
2 of 3	NONE
115084202	REV. A

DRAWING NO.		REV	SHT
115084202		A	3 of 3
REV.	DESCRIPTION	BY	ECO NO.
	RELEASE FOR PRODUCTION	CHK.	DATE
A	1) 8" LOMED WAS 2"		
	2) 8" WAS 4"	DFW	3/26/11

CIRCUIT	DESCRIPTION	END POINTS	FUNCTION
000	12/16 WHT	A1,A2,E1,F2,F3,G1	GROUND
001	16 BRN	A1,A2,F1	TAIL/CLER/MRKR LAMPS
002	16 GRN	A2,K1	RIGHT HAND TURN/STOP LAMP
003	16 YEL	A2,J1	LEFT HAND TURN/STOP LAMP
004	16 PNK	A1,A2,E1	BACK-UP LP SIGNAL
005	16 RED	A2,F1	STOP ONLY LAMP
006	16 TAN	A2,G2	CAB DOME LAMP
007	14 ORN	A2,G2	LOAD DOME LAMP(S)
008	16 BLU	F1,F2,G1	DASH ILLUM
009	14/16 RED	C1,E2,G1	BATTERY-DOME LAMP
042	16 GRN/BLK	E1,K1	RH TURN ISO
043	16 YEL/BLK	E1,J1	LH TURN ISO
052	16 GRN	E1,K1	RH TURN/STOP
053	16 YEL	E1,J1	LH TURN/STOP
090	16 BLU/WHT	A2,G1	LOAD DM 3W SW
091	16 BLU/YEL	A2,G1	LOAD DM 3W SW
101	12 ORN	D1,G1	ACCESSORY-ELECTRIC HVAC POWER
103	14 YEL	H1,F3,SPLICE 1	ACCESSORY WIPER POWER
106	16 LBL	A1,SPLICE 1	WIPER PARK (B+)
107	16 GRN/WHT	A1,F3	WIPER MOTOR LOW
108	16 RED/WHT	A1,F3	WIPER MOTOR HIGH
109	16 ORN	A1,F3	WPR MOTOR PARK SWITCH OUTPUT
111	16 PNK/BLK	F3,G1	WASHER PUMP
114	16 PPL	F1,G1	A/C REQUEST
116	14 RED/GRN	D1,G1	BATTERY-12V OUTLET/LTR
118	16 BLK/RED	F4,G1	LOAD DOME RELAY COIL (B+)
202	12 RED	D1,F1	BATTERY FEED #1
204	14 RED/BLK	B2,C1,G1	BATTERY-AUXILIARY
205	16 ORN/BLK	A1,F1,G1	ACCESSORY-FAN,CAM,RDO
206	14 ORN/WHT	B2,F1,G1	ACCESSORY-AUXILIARY
207	12 YEL	C1,F1	BATTERY FEED #2
215	12 ORN/BLK	D1,E1	ACCESSORY-HVAC FEED
224	14 RED/GRN	A1,G2	BATTERY-AUXILIARY SWITCHED
226	14 ORN/GRN	A1,G2	ACCESSORY-AUXILIARY SWITCHED
304	16 YEL/BLK	A1,G2	DASH FAN LOW
305	16 GRN/BLK	A1,G2	DASH FAN HIGH
*400	16 GRY/BLK	B1,G2	RH SPEAKER (-)
*401	16 GRY/WHT	B1,G2	RH SPEAKER (+)
*402	16 WHT/BLK	B1,G2	LH SPEAKER (-)
*403	16 WHT/GRN	B1,G2	LH SPEAKER (+)
404	16 YEL/RED	D1,G1	BATTERY-RADIO
JPR1	16 PNK	J2,J2	LH TURN JUMPER
JPR2	16 BLK	K2,K2	RH TURN JUMPER

- OPTIONAL: CIRCUITS 400 & 401 MAY BE SUPPLIED AS STANDARD SPEAKER "ZIP CORD" PAIRS. CIRCUIT NUMBER AND CONNECTOR INDEXING MUST BE MAINTAINED AS SHOWN.
- OPTIONAL: CIRCUITS 402 & 403 MAY BE SUPPLIED AS STANDARD SPEAKER "ZIP CORD" PAIRS. CIRCUIT NUMBER AND CONNECTOR INDEXING MUST BE MAINTAINED AS SHOWN.

PROPRIETARY

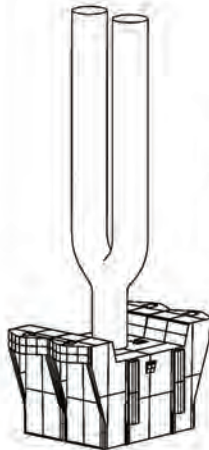
This drawing and the information and data contained herein are the property of Morgan Olson and shall not be used, copied, reproduced, or transmitted in any form or by any means, electronic, mechanical, photocopying, recording, or by any information storage and retrieval system, without the prior written consent of Morgan Olson.

MORGAN OLSON

GENERAL STATISTICS VALUES (UNLESS OTHERWISE NOTED)

1. TOLERANCE - .X * .000 .XX * .000 .XXX * .010
2. ANGLES - 1/2 * .000 .000 * .000
3. FOR PLAT PATTERNS ALL INSIDE CORNERS MUST BE ROUNDED
4. FOR PLAT PATTERNS ALL OUTSIDE CORNERS MUST BE ROUNDED
5. DIMENSIONS UNLESS OTHERWISE SPECIFIED ARE IN INCHES
DRAWN BY: DF W CHECKED BY: DF W
DATE: 06NOV10 DATE: 06NOV10
DO NOT SCALE: 2011 F-59 M-100
NAME: HARN CMD CTR F59 2011
SCALE: NONE
SHT: 3 of 3
DRAWING NO.: 115084202
REV: A

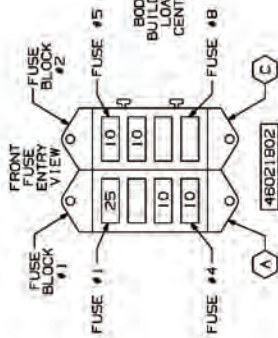
DRAWING NO.	REV.	SHT
115084203		1 of 1
DESCRIPTION	DATE	
RELEASE FOR PRODUCTION		



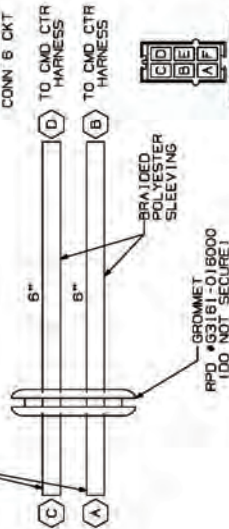
LAY OF WIRE TO BE SUCH THAT WIRING EXTENDS STRAIGHT OUT FROM REAR SURFACE OF FUSE BLOCK ASSEMBLY, AS SHOWN

CIRCUIT	DESCRIPTION	END POINTS	FUNCTION
008	14 RED	C,D	DOME LAMP POWER
101	12 ORN	A,B	HVAC POWER
116	14 RED/GRN	A,B	LTR/12V POWER
202	12 RED	A,B	BATT FEED #1
204	14 RED/BLK	C,D	AUX BATT POWER
207	12 YEL	C,D	BATT FEED #2
215	12 ORN/BLK	A,B	HVAC FEED
404	16 YEL/RED	A,B	RADIO BATT POWER

NOTE: FUSES AND FUSEBLOCKS MUST BE ORIENTED AS SHOWN BELOW

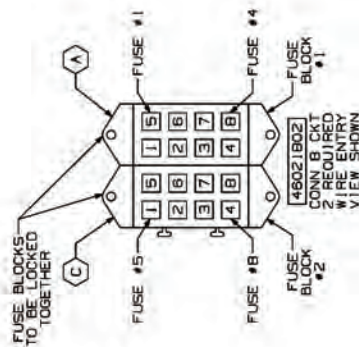


BUNDLE BOTH LEADS TOGETHER WITH SINGLE WRAP VINYL TUBING TO REAR SURFACE OF FUSE BLOCKS



- ← (207) 12 YEL (A) BATT FEED #2 (20A MAX.)
- ← (204) 14 RED/BLK (B) AUX BATT PWR
- ← (008) 14 RED (C) DOME LAMP POWER
- EMPTY (D)
- EMPTY (E)
- EMPTY (F)

- > (215) 12 ORN/BLK (A) HVAC FEED (40A MAX.)
- > (101) 12 ORN (B) HVAC POWER
- EMPTY (C)
- > (202) 12 RED (D) BATT FEED #1 (20A MAX.)
- > (116) 14 RED/GRN (E) LTR/12V PWR
- > (404) 16 YEL/RED (F) RDD BATT PWR



- FUSE BLOCK #2
- > (207) 12 YEL (1) BATT FEED #2 (20A MAX.)
 - > ○ EMPTY (2)
 - > ○ EMPTY (3)
 - > ○ EMPTY (4)
 - > (008) 14 RED (5) DOME LAMP POWER
 - > (204) 14 RED/BLK (6) AUX BATT PWR
 - EMPTY (7)
 - EMPTY (8)
- FUSE BLOCK #1
- > (215) 12 ORN/BLK (1) HVAC FEED (40A MAX.)
 - EMPTY (2)
 - > (202) 12 RED (3) BATT FEED #1 (20A MAX.)
 - > ○ EMPTY (4)
 - > (101) 12 ORN (5) HVAC POWER
 - EMPTY (6)
 - > (404) 16 YEL/RED (7) RDD BATT PWR
 - > (116) 14 RED/GRN (8) LTR/12V PWR
- FUSE #1 125 AMP
- FUSE #2 EMPTY
- FUSE #3 10 AMP
- FUSE #4 110 AMP

10. THIS IS A PURCHASED PART. ALL OF MATERIAL EXISTS.
9. BRAIDED POLYESTER SLEEVING TO BE CLOSED AT BOTH ENDS WITH 1/2" OF SHRINK TUBING, AND TAPED [1111098] 6" AT BREAKOUTS.
8. VENDOR MAY REPLACE PIGTAILS WITH WIRING APPROVED MOLDINGS OR CONNECTORS. PIGTAILS SHOWN IN TERMINAL VIEW.
7. HARNESS TO BE TESTED FOR CONTENT, OPENS, SHORTS, AND CONTINUITY.
6. CONNECTORS SHOWN FROM TERMINAL VIEW, UNLESS OTHERWISE NOTED.
5. SPLICES TO BE AUTOMATED WITH SOLDER, AND ADHESIVE LINED HEAT SHRINK TUBING.
4. TAPE [1111098] 6" AT BREAKOUTS AND 2" AT LOOM ENDS.
3. HARNESS TO HAVE A LABEL SHOWING MORGAN OLSON PART NUMBER, REVISION LEVEL AND DATE OF MANUFACTURE.
2. SPLIT POLY LOOM UNLESS OTHERWISE NOTED.
1. GXL WIRE.

NOTES:

PROPRIETARY
This drawing is the property of Morgan Olson and is not to be reproduced without the written consent of Morgan Olson.



DATE	07NOV10	DATE	07NOV10
BY	32980	BY	32980
DO NOT SCALE	F59 2011		
HARN FUSE CTR	F59 2011		
REV.	1	REV.	NONE
115084203			

BASED ON: 095084202

HARNESS AND LOOM TOLERANCES

UP TO 60" ± 0/+2"

60" TO 100" ± 0/+4"

100" TO 200" ± 0/+5"

200" TO 400" ± 0/+8"

400" TO 800" ± 0/+7"

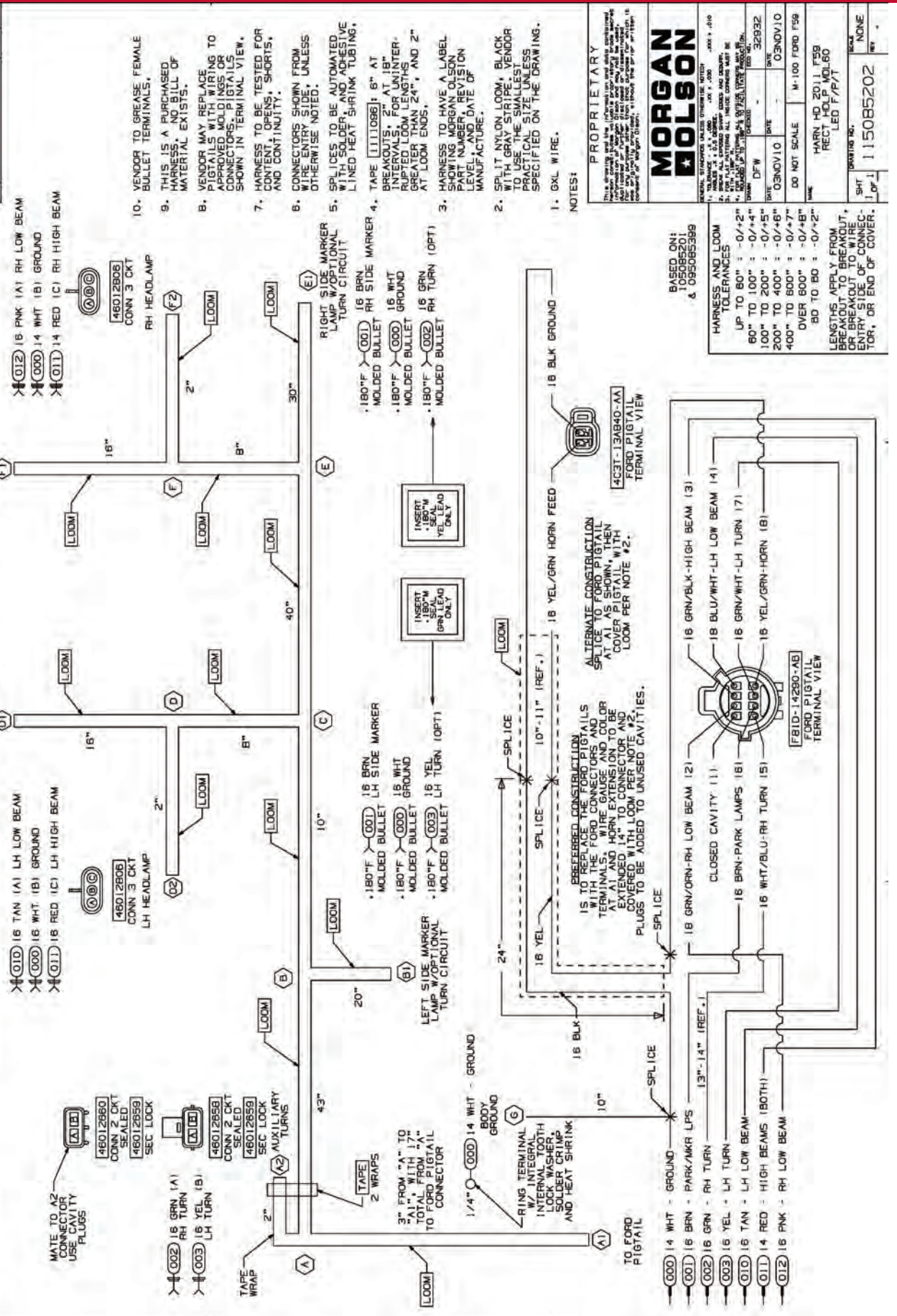
OVER 800" ± 0/+8"

80 TO 80 ± 0/+2"

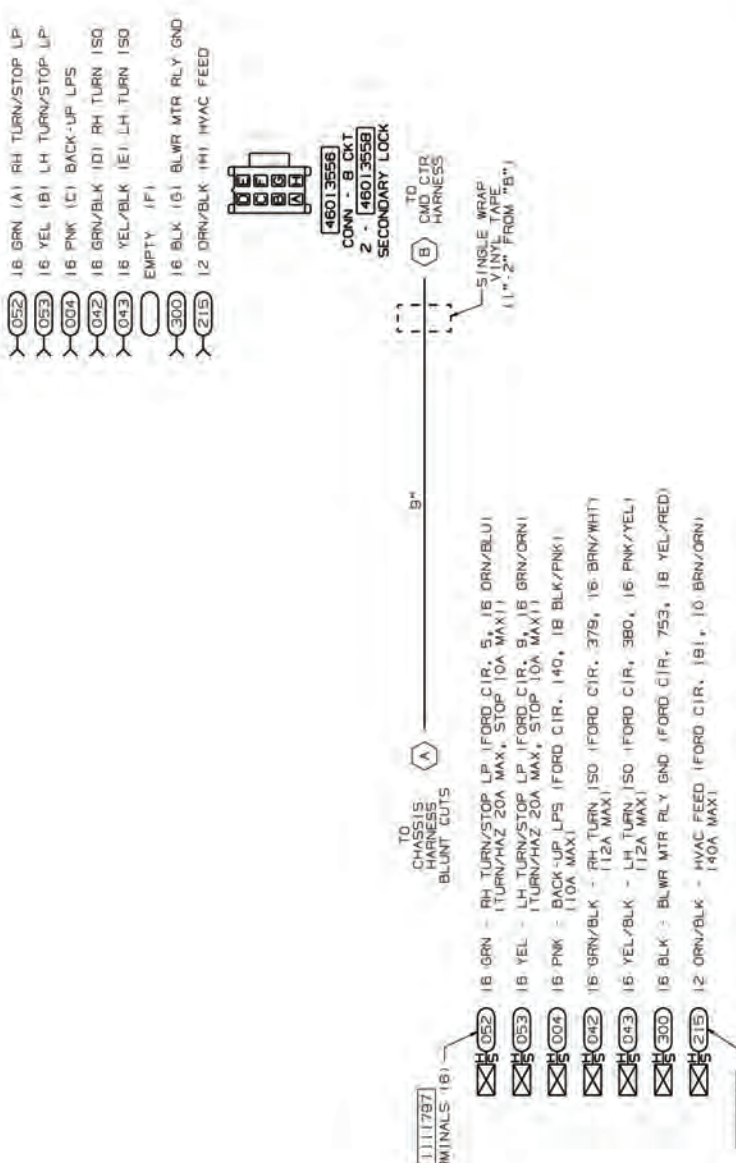
LENGTHS APPLY FROM BREAKOUT TO BREAKOUT, ENTRY POINT TO ENTRY POINT, OR END OF COVER.

DRAWING NO.	REV.	SHT
115085202		1 OF 1
DESCRIPTION	DATE	
RELEASE FOR PRODUCTION		

CIRCUIT	DESCRIPTION	END POINTS	FUNCTION
000	14/16 WHT	A1, B1, D1, D2, E1, F1, F2, G	GROUND
001	16 BRN	A1, B1, D1, E1, F1	PARK/MARKER
002	16 GRN	A1, A2, E1, F1	RH TURN
003	16 YEL	A1, A2, B1, D1	LH TURN
010	16 TAN	A1, D2	LH LOW BEAM
011	14/16 RED	A1, D2, F2	HIGH BEAMS (BOTH)
012	16 PNK	A1, F2	RH LOW BEAM



REV.	REV.	SHT	OF
		1	1
DRAWING NO. 115088201			
RELEASE FOR PRODUCTION			



9. THIS IS A PURCHASED HARNESS. NO BILL OF MATERIAL EXISTS.
6. VENDOR MAY REPLACE PIGTAILS WITH WIRING TO APPROVED MOLDINGS OR CONNECTORS. PIGTAILS SHOWN IN TERMINAL VIEW.
7. HARNESS TO BE TESTED FOR CONTENT OPENS, SHORTS, AND CONTINUITY.
6. CONNECTORS SHOWN FROM THE VIEWY SIDE, UNLESS OTHERWISE NOTED.
5. SPLICES TO BE AUTOMATED WITH SOLDER AND ADHESIVE LINED HEAT SHRINK TUBING.
4. TAPE [1111098]: 6" AT BREAKOUTS AND 2" AT LOOM ENDS.
3. HARNESS TO HAVE A LABEL SHOWING MORGAN OLSON PART NUMBER, REVISION LEVEL, AND DATE OF MANUFACTURE.
2. SPLIT POLY LOOM UNLESS OTHERWISE NOTED.
1. GXL WIRE.

NOTES:

PROPRIETARY

MORGAN OLSON

DO NOT SCALE

HARN JPR 1/4P BLUNT CUT F59 2011

DATE 06NOV10

DATE 06NOV10

DO NOT SCALE

HARN JPR 1/4P BLUNT CUT F59 2011

DATE 06NOV10

DATE 06NOV10

DO NOT SCALE

HARN JPR 1/4P BLUNT CUT F59 2011

HARNESS AND LOOM TOLERANCES

UP TO 60"	= -0/+2"
60" TO 100"	= -0/+4"
100" TO 200"	= -0/+5"
200" TO 400"	= -0/+6"
400" TO 600"	= -0/+7"
OVER 600"	= -0/+8"
60 TO 80	= -0/+2"

LENGTHS APPLY FROM BREAKOUT TO BREAKOUT. ENTIRETY OF WIRE COVERED BY COVER. TOR, OR END OF COVER.

BASED ON: 095088397

DRAWING NO.	REV	DATE	BY
115088202	A	10/1	LOFL
DESCRIPTION			
RELEASE FOR PRODUCTION			
A 17-41885-4850 TO CORN BUS BUSH			
ALL			
11.01.0			
11.01.0			
11.01.0			

9. THIS IS A PURCHASED HARNESS. NO BILL OF MATERIAL EXISTS.
10. VENDOR MAY REPLACE APPROVED MOLDINGS OR CONNECTOR PIGTAILS SHOWN IN TERMINAL VIEW.
11. HARNESS TO BE TESTED FOR HARN. OPEN, SHORTS, AND CONTINUITY.
12. CONNECTORS SHOWN FROM WIRE ENTRY SIDE, UNLESS OTHERWISE NOTED.
13. SPLICES TO BE AUTOMATED WITH SOLDER, AND ADHESIVE LINED HEAT SHRINK TUBING.
14. TAPE (1111098); 6" AT BREAKOUTS, 2" AT 18" INTERVALS FOR UNINTERRUPTED Loom. LENGTHS LESS THAN 24" AND 2" AT LOOM ENDS.
15. HARNESS TO HAVE A LABEL PART NUMBER, REVISION LEVEL AND DATE OF MANUFACTURE.
16. SPLIT NYLON LOOM, BLACK GRAY OR OTHER, UNLESS OTHERWISE NOTED.
17. 6XL WIRE.

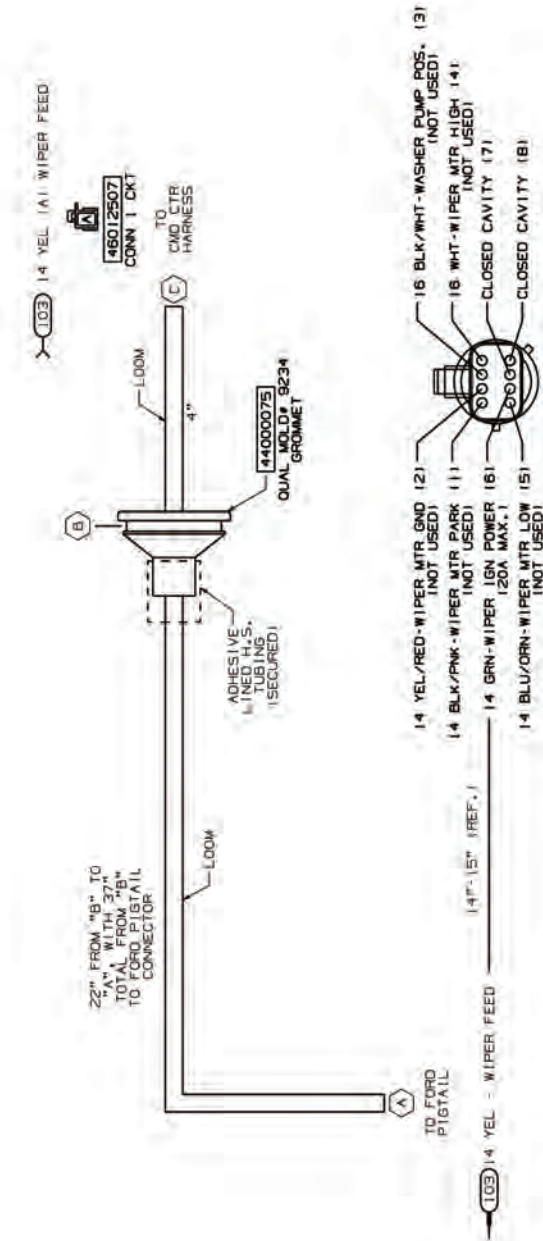
NOTES:

1. THIS DRAWING AND THE INFORMATION AND DATA CONTAINED HEREIN ARE THE PROPERTY OF MORGAN OLSON. NO PART OF THIS DRAWING OR INFORMATION IS TO BE REPRODUCED OR TRANSMITTED IN ANY FORM OR BY ANY MEANS, ELECTRONIC OR MECHANICAL, INCLUDING PHOTOCOPYING, RECORDING, OR BY ANY INFORMATION STORAGE AND RETRIEVAL SYSTEM, WITHOUT THE WRITTEN PERMISSION OF MORGAN OLSON.



DATE	BY	CHKD	APP'D
04NOV10	DAK		
DO NOT SCALE			
HARN_JFR 1/4 WFR F58 2011			
DATE	BY	CHKD	APP'D
10/1	LOFL		
115088202			
DATE	BY	CHKD	APP'D

HARN AND LOOM TOLERANCES	
UP TO 60" = -0/+2"	
60" TO 100" = -0/+4"	
100" TO 200" = -0/+5"	
200" TO 400" = -0/+6"	
400" TO 600" = -0/+7"	
OVER 600" = -0/+8"	
60 TO 80 = -0/+2"	
LENGTHS APPLY FROM BREAKOUT TO BREAKOUT, ENTRY POINT TO ENTRY POINT, OR END OF COVER.	



ADDED NOTE:

INSTALL 3" OF INSULATED WIRE W/ 1/8" TERMINALS INTO UNUSED CAVITIES OF HARNESS OR HEAT SHRINK ENDS OF BLUNT CUT WIRES. MAKE SURE WIRES ARE BUNDLED AND LOOMED WITH THE YELLOW WIPER FEED WIRE.

PREFERRED CONSTRUCTION

15 TO REPLACE THE FORD PIGTAIL WITH THE FORD CONNECTOR AND TERMINAL TO BE EXTENDED AND COLOR CONNECTOR AND COVERED WITH LOOM PER NOTE #2. PLUGS TO BE ADDED TO UNUSED CAVITIES.

ALTERNATE CONSTRUCTION

SPLICE TO FORD PIGTAIL AT A AS SHOWN, THEN COVER PIGTAIL WITH LOOM PER NOTE #2.

BASED ON: 095068399

DRAWING NO.	REV	SHIT
1320B7204	A	1 of 1
DESCRIPTION		
RELEASE FOR PRODUCTION		
A ALL LOOM FOR HI TEMP		UTS 03558
		SCALE

11. VENDOR TO GREASE FEMALE BULLET TERMINALS.
10. WHEN ISOLATED STOP CIRCUIT 005 IS USED, CIRCUITS 002 AND 003 CAN BE WAIRED AS BECOME TURN ONLY BY UNPLUGGING THE BRAKE FEED INTO TURN SIGNAL SWITCH.
9. THIS IS A PURCHASED HARNESS, NO BILL OF MATERIAL EXISTS.
8. VENDOR MAY REPLACE PIGTAILS WITH WIRING TO MATCHED BULLET LPS CONNECTORS. PIGTAILS SHOWN IN TERMINAL VIEW.
7. HARNESS TO BE TESTED FOR CONTENTS, OPENS, SHORTS, AND CONTINUITY.
6. CONNECTORS SHOWN FROM WIRE ENTRY SIDE, UNLESS OTHERWISE NOTED.
5. SPLICES TO BE AUTOMATED WITH SOLDER AND ADHESIVE LINED HEAT SHRINK TUBING.
4. TAPE [111096]: 6" AT BREAKOUTS, 2" AT 18" INTERVALS FOR UNINTERRUPTED LOOM LENGTHS GREATER THAN 24", AND 2" AT LOOM ENDS.
3. HARNESS TO HAVE A LABEL SHOWING MORGAN OLSON PART NUMBER, REVISION LEVEL, AND DATE OF MANUFACTURE.
2. SPLIT NYLON LOOM, BLACK WITH GRAY STRIPE (HI-TEMP), UNLESS OTHERWISE NOTED.
1. 6XL WIRE.

PROPRIETARY	
THIS DRAWING IS THE PROPERTY OF MORGAN OLSON. IT IS TO BE USED ONLY FOR THE PARTS IDENTIFIED HEREIN. IT IS NOT TO BE REPRODUCED OR TRANSMITTED IN ANY FORM OR BY ANY MEANS, ELECTRONIC OR MECHANICAL, INCLUDING PHOTOCOPYING, RECORDING, OR BY ANY INFORMATION STORAGE AND RETRIEVAL SYSTEM. VIOLATION OF THIS NOTICE IS SUBJECT TO PROSECUTION.	
MORGAN OLSON	DATE: 4/23/17
ALL	DATE: 26NOV13
DO NOT SCALE	DATE: 26NOV13
NAME: HARN-LIFTGATE	
TRANSDOM TO LIFTGATE	
SCALE: NONE	SHIT: 1 of 1
DRAWING NO. 1320B7204	

NOTES:

1. 6XL WIRE.

2. SPLIT NYLON LOOM, BLACK WITH GRAY STRIPE (HI-TEMP), UNLESS OTHERWISE NOTED.

3. HARNESS TO HAVE A LABEL SHOWING MORGAN OLSON PART NUMBER, REVISION LEVEL, AND DATE OF MANUFACTURE.

4. TAPE [111096]: 6" AT BREAKOUTS, 2" AT 18" INTERVALS FOR UNINTERRUPTED LOOM LENGTHS GREATER THAN 24", AND 2" AT LOOM ENDS.

5. SPLICES TO BE AUTOMATED WITH SOLDER AND ADHESIVE LINED HEAT SHRINK TUBING.

6. CONNECTORS SHOWN FROM WIRE ENTRY SIDE, UNLESS OTHERWISE NOTED.

7. HARNESS TO BE TESTED FOR CONTENTS, OPENS, SHORTS, AND CONTINUITY.

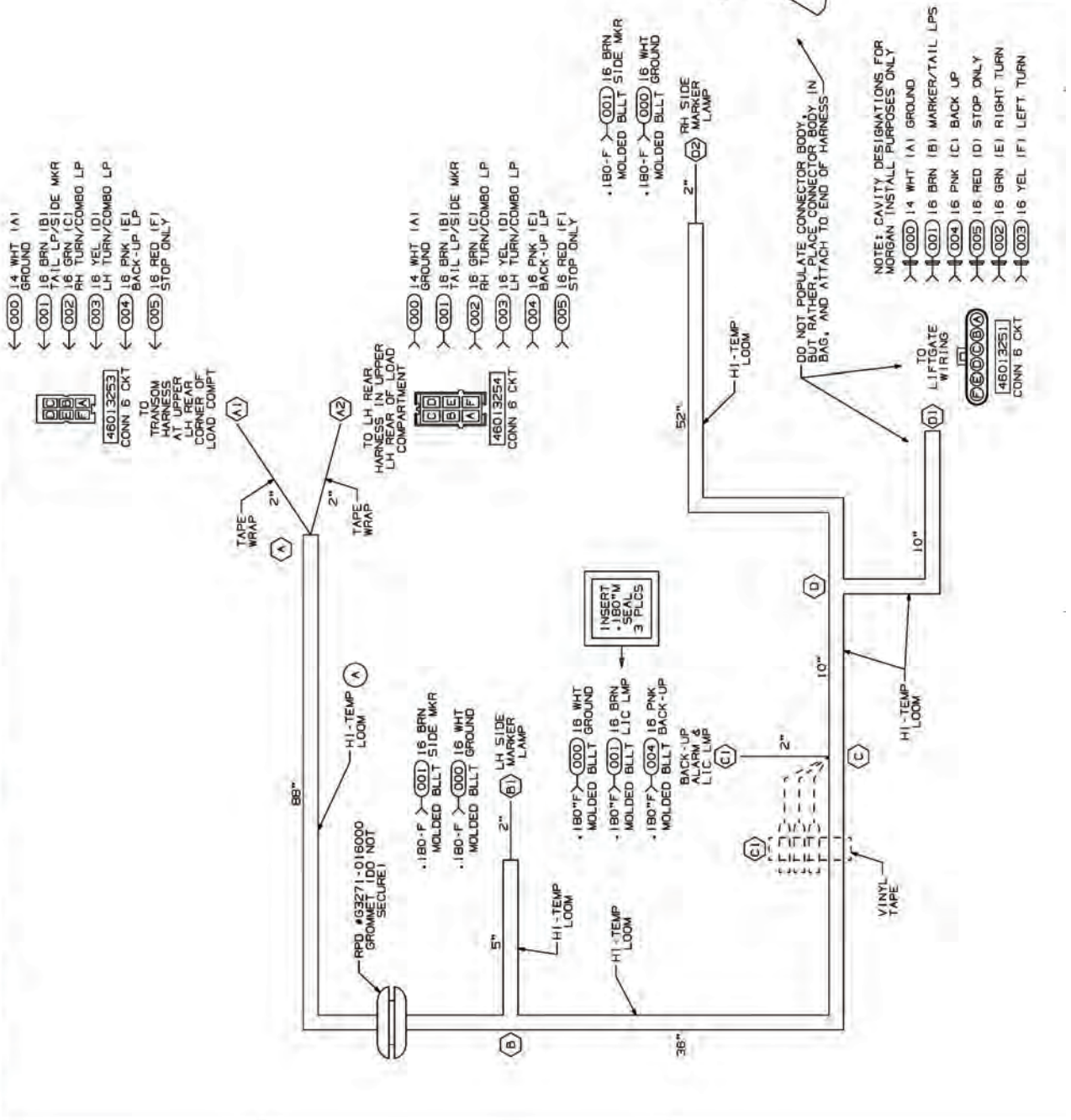
8. VENDOR MAY REPLACE PIGTAILS WITH WIRING TO MATCHED BULLET LPS CONNECTORS. PIGTAILS SHOWN IN TERMINAL VIEW.

9. THIS IS A PURCHASED HARNESS, NO BILL OF MATERIAL EXISTS.

10. WHEN ISOLATED STOP CIRCUIT 005 IS USED, CIRCUITS 002 AND 003 CAN BE WAIRED AS BECOME TURN ONLY BY UNPLUGGING THE BRAKE FEED INTO TURN SIGNAL SWITCH.

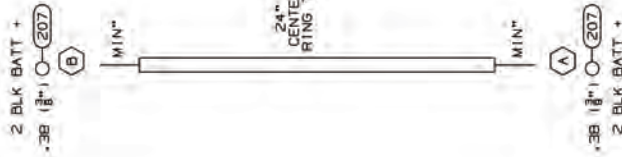
11. VENDOR TO GREASE FEMALE BULLET TERMINALS.

CIRCUIT	DESCRIPTION	END POINTS	FUNCTION
000	14/16 WHT	A1, A2, B1, C1, D1, D2	GROUND
001	16 BRN	A1, A2, B1, C1, D1, D2	MARKER/TAIL LPS
002	16 GRN	A1, A2, D1	RH TURN LPS
003	16 YEL	A1, A2, D1	LH TURN LPS
004	16 PNK	A1, A2, C1, D1	BACK-UP LPS
005	16 RED	A1, A2, D1	STOP LPS



DRAWING NO.	REV.	SHIT
132088201	REL	1.001
DESCRIPTION	DATE	
RELEASE FOR PRODUCTION		

CIRCUIT	GA/COLOR	END POINTS	FUNCTION
207	2 BLK	A, B	BATT +



USE SOLDER AND
ADD HEAT SHRINK
OVER CRIMPED LUGS

24" AT
CENTER OF
RING TERMS

8. VENDOR MAY REPLACE APPROVED WIRING TO CONNECTORS, PIGTAILS SHOWN IN TERMINAL VIEW.
7. HARNESS TO BE TESTED FOR CONTENT, OPENS, SHORTS, AND CONTINUITY.
6. CONNECTORS SHOWN FROM WIRE ENTRY SIDE, UNLESS OTHERWISE NOTED.
5. SPLICES TO BE AUTOMATED WITH SOLDER, AND ADHESIVE LINED HEAT SHRINK TUBING.
4. TAPE [1111096]: 6" AT BREAKOUTS, 2" AT 18" INTERVALS, FOR UNINTERRUPTED LOOM LENGTHS GREATER THAN 24", AND 2" AT LOOM ENDS.
3. HARNESS TO HAVE A LABEL SHOWING MORGAN OLSON PART NUMBER, REVISION AND DATE OF MANUFACTURE.
2. SPLIT HI-TEMP POLY LOOM UNLESS OTHERWISE NOTED.
1. 56X WIRE.

NOTES:

PROPRIETARY

This drawing is the property of Morgan Olson and is not to be reproduced, stored in a retrieval system, or transmitted in any form or by any means, electronic, mechanical, photocopying, recording, or by any information storage and retrieval system, without the prior written permission of Morgan Olson.



SEVERAL STANDARDS WALKER SPECIFIC NOTED

1. HARNESS TO BE MADE TO ORDER.
2. FOR ALL MATERIALS ALL HARNESS COVERS MUST BE MADE TO ORDER.
3. FOR ALL MATERIALS ALL HARNESS COVERS MUST BE MADE TO ORDER.
4. HARNESS TO BE MADE TO ORDER.

HARNESS AND LOOM TOLERANCES

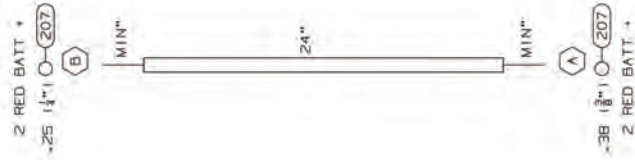
UP TO 60"	= -0/+2"
60" TO 100"	= -0/+4"
100" TO 200"	= -0/+5"
200" TO 400"	= -0/+6"
400" TO 600"	= -0/+7"
OVER 600"	= -0/+8"
BO TO BO	= -0/+2"

LENGTHS APPLY FROM BENDOUT TO BENDOUT OR BREAKOUT TO WIRE ENTRY SIDE OF CONNECTOR, OR END OF COVER.

DATE	11NOV13
TIME	42253
SCALE	HARN BAT NEG 20A 24"
SHIT	1.001
SCALE	NONE
REV	REL

DRAWING NO.	REV.	SHT
132088206	REL	1 of 1
DESCRIPTION	DATE	DATE
RELEASE FOR PRODUCTION		

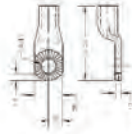
CIRCUIT	GA/COLOR	END POINTS	FUNCTION
207	2 RED	A, B	BATT #



1/4" LUG DETAILS



3/8" LUG DETAILS



USE SOLDER AND
ADD HEAT SHRINK
OVER CRIMPED LUGS

8. VENDOR MAY REPLACE PIGTAILS WITH WIRING TO APPROVED MOLDINGS OR CONNECTORS. PIGTAILS SHOWN IN TERMINAL VIEW.
7. HARNESS TO BE TESTED FOR CONTENT, OPENS, SHORTS, AND CONTINUITY.
6. CONNECTORS SHOWN FROM WIRE ENTRY SIDE, UNLESS OTHERWISE NOTED.
5. SPLICES TO BE AUTOMATED WITH SOLDER AND ADHESIVE LINED HEAT SHRINK TUBING.
4. TAPE [LILLOS]: 6" AT BREAKOUTS, FOR UNBUTTERED WIRE LOOM LENGTHS GREATER THAN 24", AND 2" AT LOOM ENDS.
3. HARNESS TO HAVE A LABEL SHOWING MORGAN OLSON PART NUMBER, REVISION LEVEL, AND DATE OF MANUFACTURE.
2. SPLIT HI-TEMP POLY LOOM UNLESS OTHERWISE NOTED.
 - 1. SGX WIRE.

NOTES:

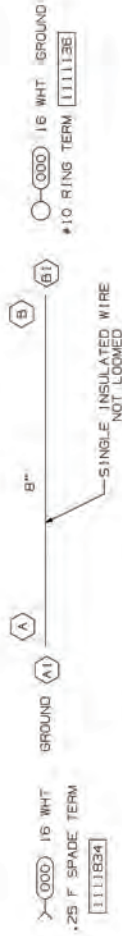
PROPRIETARY
This drawing and the information and data contained herein are the property of Morgan Olson and are to be used for the production of parts only. No part of this drawing may be reproduced without the written permission of Morgan Olson. It is recommended that you check the part's status with Morgan Olson to verify.



GENERAL STANDARD JACKET IDENTIFICATION	
1. ANALYSIS: 2. O.S. SYMBOLS: 3. NOM. SIZE: 4. 1/2" PITCH: 5. 1/4" PITCH: 6. 1/8" PITCH: 7. 3/16" PITCH: 8. 1/16" PITCH: 9. 3/32" PITCH: 10. 1/32" PITCH: 11. 1/64" PITCH: 12. 1/128" PITCH: 13. 1/256" PITCH: 14. 1/512" PITCH: 15. 1/1024" PITCH: 16. 1/2048" PITCH: 17. 1/4096" PITCH: 18. 1/8192" PITCH: 19. 1/16384" PITCH: 20. 1/32768" PITCH: 21. 1/65536" PITCH: 22. 1/131072" PITCH: 23. 1/262144" PITCH: 24. 1/524288" PITCH: 25. 1/1048576" PITCH: 26. 1/2097152" PITCH: 27. 1/4194304" PITCH: 28. 1/8388608" PITCH: 29. 1/16777216" PITCH: 30. 1/33554432" PITCH: 31. 1/67108864" PITCH: 32. 1/134217728" PITCH: 33. 1/268435456" PITCH: 34. 1/536870912" PITCH: 35. 1/1073741824" PITCH: 36. 1/2147483648" PITCH: 37. 1/4294967296" PITCH: 38. 1/8589934592" PITCH: 39. 1/17179869184" PITCH: 40. 1/34359738368" PITCH: 41. 1/68719476736" PITCH: 42. 1/137438953472" PITCH: 43. 1/274877906944" PITCH: 44. 1/549755813888" PITCH: 45. 1/1099511627776" PITCH: 46. 1/2199023255552" PITCH: 47. 1/4398046511104" PITCH: 48. 1/8796093022208" PITCH: 49. 1/17592180444416" PITCH: 50. 1/35184360888832" PITCH: 51. 1/70368721777664" PITCH: 52. 1/140737443555328" PITCH: 53. 1/281474887110656" PITCH: 54. 1/562949774221312" PITCH: 55. 1/1125899548442624" PITCH: 56. 1/2251799096885248" PITCH: 57. 1/4503598193770496" PITCH: 58. 1/9007196387540992" PITCH: 59. 1/18014392775081984" PITCH: 60. 1/36028785550163968" PITCH: 61. 1/72057571100327936" PITCH: 62. 1/144115142200655872" PITCH: 63. 1/288230284401311744" PITCH: 64. 1/576460568802623488" PITCH: 65. 1/1152921137605246976" PITCH: 66. 1/2305842275210493952" PITCH: 67. 1/4611684550420987904" PITCH: 68. 1/9223369100841975808" PITCH: 69. 1/18446738201683951616" PITCH: 70. 1/36893476403367903232" PITCH: 71. 1/73786952806735806464" PITCH: 72. 1/147573905613471612288" PITCH: 73. 1/295147811226943224576" PITCH: 74. 1/590295622453886449152" PITCH: 75. 1/1180591244907772898304" PITCH: 76. 1/2361182489815545796608" PITCH: 77. 1/4722364979631091593216" PITCH: 78. 1/9444729959262183186432" PITCH: 79. 1/18889459918524366372864" PITCH: 80. 1/37778919837048732745728" PITCH: 81. 1/75557839674097465491456" PITCH: 82. 1/151115679348194930982912" PITCH: 83. 1/302231358696389861965824" PITCH: 84. 1/604462717392779723931648" PITCH: 85. 1/1208925434785559447863296" PITCH: 86. 1/2417850869571118895726592" PITCH: 87. 1/4835701739142237791453184" PITCH: 88. 1/9671403478284475582906368" PITCH: 89. 1/19342806956568951165812736" PITCH: 90. 1/38685613913137902331625472" PITCH: 91. 1/77371227826275804663250944" PITCH: 92. 1/154742455652551609226509888" PITCH: 93. 1/309484911305103218453019776" PITCH: 94. 1/618969822610206436906039552" PITCH: 95. 1/1237939645220412873812079104" PITCH: 96. 1/2475879290440825747624158208" PITCH: 97. 1/4951758580881651495248316416" PITCH: 98. 1/9903517161763302990496632832" PITCH: 99. 1/19807034323526605980992665664" PITCH: 100. 1/39614068647053211961985331328" PITCH: 101. 1/79228137294106423923970662656" PITCH: 102. 1/15845627458213284784794133312" PITCH: 103. 1/31691254916426569569588266624" PITCH: 104. 1/63382509832853139139176533248" PITCH: 105. 1/126765019665706278278353066496" PITCH: 106. 1/253530039331412556556706132992" PITCH: 107. 1/507060078662825113113412265984" PITCH: 108. 1/1014120157325650226226845311936" PITCH: 109. 1/20282403146513004524536906338784" PITCH: 110. 1/40564806293026009049073812677568" PITCH: 111. 1/81129612586052018098147625355136" PITCH: 112. 1/162259225721104036196295250710272" PITCH: 113. 1/32451845144220807239259050140544" PITCH: 114. 1/64903690288441614478518100281088" PITCH: 115. 1/129807380576883229557036200562176" PITCH: 116. 1/259614761153766459114072401124352" PITCH: 117. 1/519229522307532918228144802248704" PITCH: 118. 1/103845904411506583645629760449408" PITCH: 119. 1/207691808823013167291259520898816" PITCH: 120. 1/415383617646026334582519041797632" PITCH: 121. 1/830767235292052669164538083595264" PITCH: 122. 1/1661534470584105338329076071904512" PITCH: 123. 1/3323068941168210676658152143809248" PITCH: 124. 1/6646137882336421353316304287618496" PITCH: 125. 1/1329227576467284270663260857523792" PITCH: 126. 1/2658455152934568541326521715047584" PITCH: 127. 1/5316910305869137082653043430095168" PITCH: 128. 1/1063382061173827416530608686019136" PITCH: 129. 1/2126764122347654833061217372038272" PITCH: 130. 1/4253528244695309666122434744076448" PITCH: 131. 1/85070564893906193322448694881530896" PITCH: 132. 1/17014112978781238664489739376261792" PITCH: 133. 1/3402822595756247732897947875252384" PITCH: 134. 1/6805645191512495465795895750504768" PITCH: 135. 1/13611290383024990911591791500011536" PITCH: 136. 1/27222580766049981823183834000023072" PITCH: 137. 1/54445161532099963646367668000046144" PITCH: 138. 1/108890323064199927292735336000092288" PITCH: 139. 1/217780646128399854585470672000184576" PITCH: 140. 1/435561292256799709170941344000369152" PITCH: 141. 1/871122584513599418341882688000738304" PITCH: 142. 1/1742245169027198836827655376001476608" PITCH: 143. 1/3484490338054397673655310752002953216" PITCH: 144. 1/6968980676108795347310621504005906432" PITCH: 145. 1/13937961352217590694621243008011812864" PITCH: 146. 1/27875922704435181389242486016023625728" PITCH: 147. 1/55751845408870362778484972032047251456" PITCH: 148. 1/1115036908177407255569699440649450288" PITCH: 149. 1/2230073816354814511139398881298900576" PITCH: 150. 1/44601476327096290222787977625978011536" PITCH: 151. 1/89202952654192580445575955251956023072" PITCH: 152. 1/178405905084385160891151104003912046144" PITCH: 153. 1/356811810168770321782302208007824092288" PITCH: 154. 1/713623620337540643564604416015648185568" PITCH: 155. 1/1427247240675081271129208832031293711136" PITCH: 156. 1/2854494481350162542258417664062587422784" PITCH: 157. 1/570898896270032508451683532812517485568" PITCH: 158. 1/1141797792540065016903367056250349711136" PITCH: 159. 1/2283595585080130033806734112506994222784" PITCH: 160. 1/4567191170160260067613468225013988445568" PITCH: 161. 1/9134382340320520135226876450027976911136" PITCH: 162. 1/1826876468064104026445752900005593822784" PITCH: 163. 1/3653752936128208052891505800011187645568" PITCH: 164. 1/7307505872256416105783011600022375311136" PITCH: 165. 1/14615011744512832211566203200045506222784" PITCH: 166. 1/2923002348902566442313240640009101245568" PITCH: 167. 1/58460046978051328846264812800182024911136" PITCH: 168. 1/116920093956102657692529625600364048222784" PITCH: 169. 1/233840187912205315385059251200728096445568" PITCH: 170. 1/4676803758244106307701185024014561928911136" PITCH: 171. 1/935360751648821261540237004802913857822784" PITCH: 172. 1/1870721503297642523080474009605827715568" PITCH: 173. 1/37414430065952850461609480192116554311136" PITCH: 174. 1/74828860131905700923218960384233088222784" PITCH: 175. 1/14965772026381140186437920768466166445568" PITCH: 176. 1/29931544052762280372875841536932332911136" PITCH: 177. 1/598630881055245607457516827138646658222784" PITCH: 178. 1/1197261762110491214915133642472932515568" PITCH: 179. 1/23945235242209824298302672849458650222784" PITCH: 180. 1/4789047048441964859660534569891730445568" PITCH: 181. 1/95780940968839297193210691397826608911136" PITCH: 182. 1/191561879377678594386421382775653217822784" PITCH: 183. 1/383123758755357188772842745551306435568" PITCH: 184. 1/76624751751071437754568549110261311136" PITCH: 185. 1/153249503502142875509137082205226222784" PITCH: 186. 1/30649900700428575101827416441045245568" PITCH: 187. 1/612998014008571502036548328820904911136" PITCH: 188. 1/12259960280171430040730865776181088222784" PITCH: 189. 1/245199205603428600814617155523621735568" PITCH: 190. 1/490398411206857201629323411047234711136" PITCH: 191. 1/9807968224137144032586468220944694222784" PITCH: 192. 1/1961593644227428806517293644188938445568" PITCH: 193. 1/3923187288454857613034587288377876911136" PITCH: 194. 1/7846374576909715226069174576755753822784" PITCH: 195. 1/15692749153819430452138351553511476445568" PITCH: 196. 1/31385498307638860904276703107029528911136" PITCH: 197. 1/62770996615277721808553406214059057822784" PITCH: 198. 1/1255419932255554436171068124281195445568" PITCH: 199. 1/25108398645111088723421362484623908911136" PITCH: 200. 1/50216797290222177446842724893247817822784" PITCH: 201. 1/100433594580443554893685497864956356445568" PITCH: 202. 1/200867189160887109787370995729912711136" PITCH: 203. 1/4017343783217742195747419914598254222784" PITCH: 204. 1/8034687566435484391494839829196508445568" PITCH: 205. 1/16069375132870968782989679658391017822784" PITCH: 206. 1/32138750265741937565979359316782135568" PITCH: 207. 1/642775005314838751319587186335642711136" PITCH: 208. 1/1285550010639677502639174372672844222784" PITCH: 209. 1/2571100021279355005278348745345688445568" PITCH: 210. 1/5142200042558710010556697480691768911136" PITCH: 211. 1/10284400085174220021113394961383537822784" PITCH: 212. 1/20568800170348440042226789922766756445568" PITCH: 213. 1/411376003406968800844535788455335111136" PITCH: 214. 1/8227520068139376016890715769106702222784" PITCH: 215. 1/1645504013627875203378143543821344445568" PITCH: 216. 1/32910080272557504067562870876426888911136" PITCH: 217. 1/65820160545115008135125741752853777822784" PITCH: 218. 1/131640321090230016270251435045675556445568" PITCH: 219. 1/263280642180460032540502870091351111136" PITCH: 220. 1/5265612843609200650810057401827022222784" PITCH: 221. 1/1053122567211840130162011403654044445568" PITCH: 222. 1/2106245134423680260324022807308088911136" PITCH: 223. 1/4212490268847360520648045614616177822784" PITCH: 224. 1/84249805376947210412960912292323556445568" PITCH: 225. 1/168499610753894418255818184846471111136" PITCH: 226. 1/3369992215077888365116337696929422222784" PITCH: 227. 1/6739984430155776730232675393858844445568" PITCH: 228. 1/13479968860311553460453507877717688911136" PITCH: 229. 1/26959937720623106920907015755435377822784" PITCH: 230. 1/539198754412462138418140315110707556445568" PITCH: 231. 1/107839750882492427236280630221415111136" PITCH: 232. 1/2156795017649848544725612604428302222784" PITCH: 233. 1/4313590035299697089451225208856604445568" PITCH: 234. 1/86271800705993941789024504177132111136" PITCH: 235. 1/1725436014119788835780490083542642222784" PITCH: 236. 1/3450872028239577671560980167085284445568" PITCH: 237. 1/69017440564791553431219603341705688911136" PITCH: 238. 1/138034881129583106862439206683411377822784" PITCH: 239. 1/2760697622591662137248784133666827556445568" PITCH: 240. 1/5521395245183324274497568267333655111136" PITCH: 241. 1/11042790490366645488951336546673111136" PITCH: 242. 1/2208558098073329097790267311334622222784" PITCH: 243. 1/4417116196146658195580534622669244445568" PITCH: 244. 1/8834232392293316391160669245338488911136" PITCH: 245. 1/1766846478458623278232133850676977822784" PITCH: 246. 1/35336929569172465564642677013539556445568" PITCH: 247. 1/70673859138344931129285354027079111136" PITCH: 248. 1/1413477182766898222565067080541582222784" PITCH: 249. 1/282695436553379644513013416108344445568" PITCH: 250. 1/5653908731067592890260268222166688911136" PITCH: 251. 1/1130781746213517780452053644333377822784" PITCH: 252. 1/22615634924270355609041072886667556445568" PITCH: 253. 1/45231269848540711218082145773335111136" PITCH: 254. 1/904625396970814224361642915466702222784" PITCH: 255. 1/1809250735421628448723285820933404445568" PITCH: 256. 1/36185014708432569774465716418668088911136" PITCH: 257. 1/7237002941686513954893143283733617822784" PITCH: 258. 1/144740058833730279097862856754723556445568" PITCH: 259. 1/289480117667460558195725713509447111136" PITCH: 260. 1/5789602353349211163914514270188942222784" PITCH: 261. 1/1157920470669842232782902854037884445568" PITCH: 262. 1/23158409413396844655658057080757688911136" PITCH: 263. 1/4631681882679368931131701416151537822784" PITCH: 264. 1/926336376535873786226340283230307556445568" PITCH: 265. 1/185267275307174757245268566460615111136" PITCH: 266. 1/3705345506143495144905371329212302222784" PITCH: 267. 1/7410691012286990289810742658424604445568" PITCH: 268. 1/14821382024573980579621485316492088911136" PITCH: 269. 1/2964276404914796115924297063298417822784" PITCH: 270. 1/592855280982959223184859412659683556445568" PITCH: 271. 1/118571056196591844376711885311937111136	

DRAWING NO.	REV	SHT
152098200	REL	1 OF 1
REP.	DESCRIPTION	BY
	RELEASE TO PRODUCTION	CHK.
		DATE

CIRCUIT	DESCRIPTION	END POINTS	FUNCTION
000	16 WHT	A1, B1	GROUND



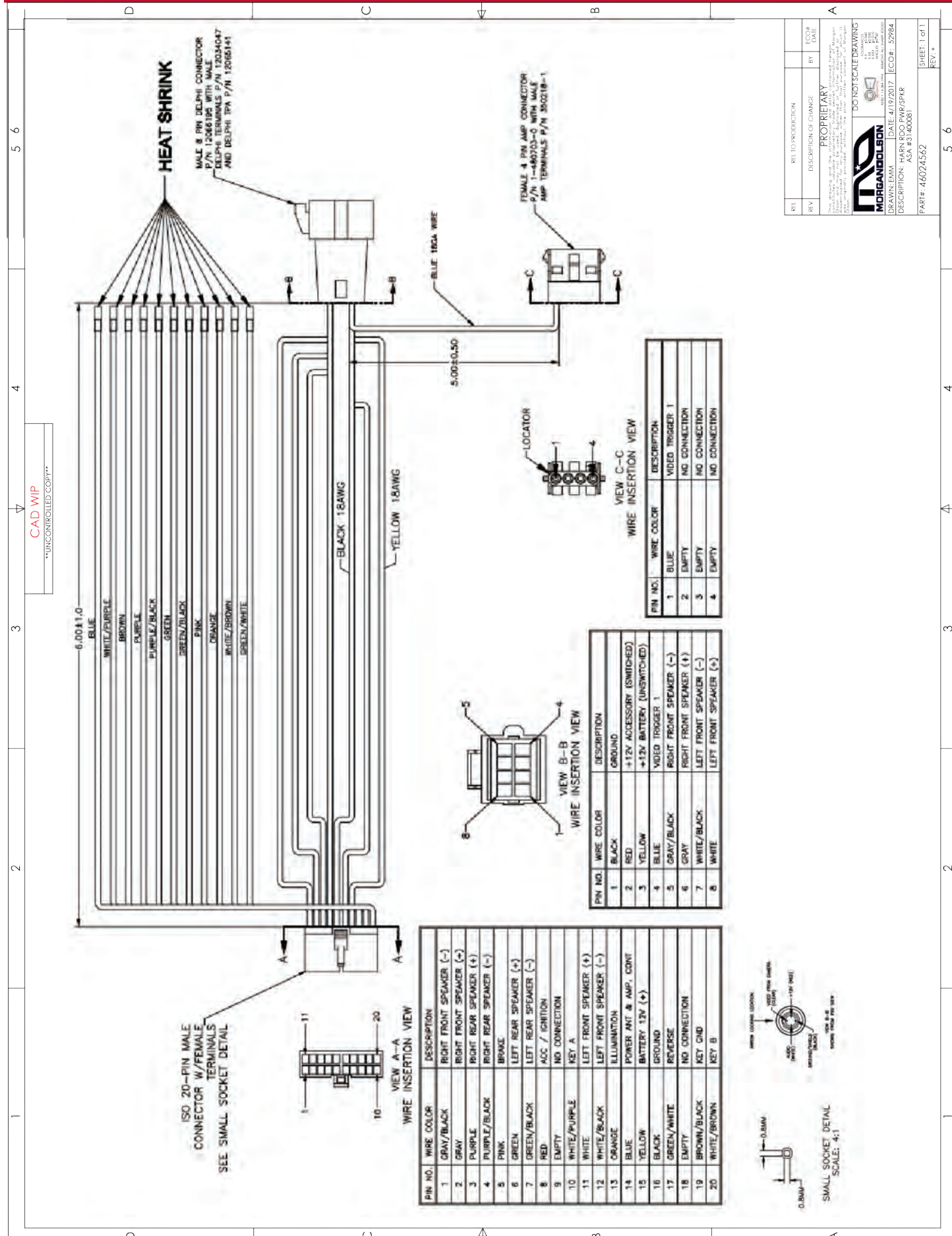
1. TOLERANCE ± .03 INCH. 200 ± .005 ± .005 ± .010 ± .010
 2. BREAK ALL EXPOSED SHARP EDGES AND CORNERS. 90°
 3. MINIMUM BEND RADIUS SHALL BE 10 TIMES THE DIAMETER OF THE WIRE.
 4. MINIMUM WIRE GAUGE SHALL BE 22 AWG UNLESS OTHERWISE NOTED.
- NOTES:
1. BXL WIRE.
 2. SPLIT POLY LOOM UNLESS OTHERWISE NOTED.
 3. HARNSS TO HAVE A LABEL SHOWING MORGAN BOLSON PART NUMBER, REVISION LEVEL AND DATE OF MANUFACTURE.
 4. SPLIT POLY LOOM UNLESS OTHERWISE NOTED.
 5. TAPES [1111098]: 6" AT BREAKOUTS AND 2" AT LOOM ENDS.
 6. HARNSS TO HAVE A LABEL SHOWING MORGAN BOLSON PART NUMBER, REVISION LEVEL AND DATE OF MANUFACTURE.
 7. SPLIT POLY LOOM UNLESS OTHERWISE NOTED.
 8. SPLIT POLY LOOM UNLESS OTHERWISE NOTED.
 9. SPLIT POLY LOOM UNLESS OTHERWISE NOTED.
 10. SPLIT POLY LOOM UNLESS OTHERWISE NOTED.
 11. SPLIT POLY LOOM UNLESS OTHERWISE NOTED.
 12. SPLIT POLY LOOM UNLESS OTHERWISE NOTED.
 13. SPLIT POLY LOOM UNLESS OTHERWISE NOTED.
 14. SPLIT POLY LOOM UNLESS OTHERWISE NOTED.
 15. SPLIT POLY LOOM UNLESS OTHERWISE NOTED.
 16. SPLIT POLY LOOM UNLESS OTHERWISE NOTED.
 17. SPLIT POLY LOOM UNLESS OTHERWISE NOTED.
 18. SPLIT POLY LOOM UNLESS OTHERWISE NOTED.
 19. SPLIT POLY LOOM UNLESS OTHERWISE NOTED.
 20. SPLIT POLY LOOM UNLESS OTHERWISE NOTED.

MORGAN BOLSON	
DATE	4-19-88
BY	25MAR15
DO NOT SCALE	
HARN JPR BAT SEP GROUND	
SHT	1 OF 1
REV	REL

HARNSS AND LOOM TOLERANCES

80" TO 100" = -0/+2"
 100" TO 200" = -0/+4"
 200" TO 400" = -0/+6"
 400" TO 600" = -0/+7"
 OVER 600" = -0/+8"
 60 TO 80 = -0/+2"
 80 TO 100 = -0/+4"
 100 TO 120 = -0/+6"
 120 TO 140 = -0/+8"
 140 TO 160 = -0/+10"

TOLERANCE IS NOT ACCUMULATIVE. LENGTH MEASUREMENTS TO CENTER OF TERMINALS TO CENTER OF BREAKOUT TO END, OR LOOM.



REV	REL TO PRODUCTION	BY	DATE

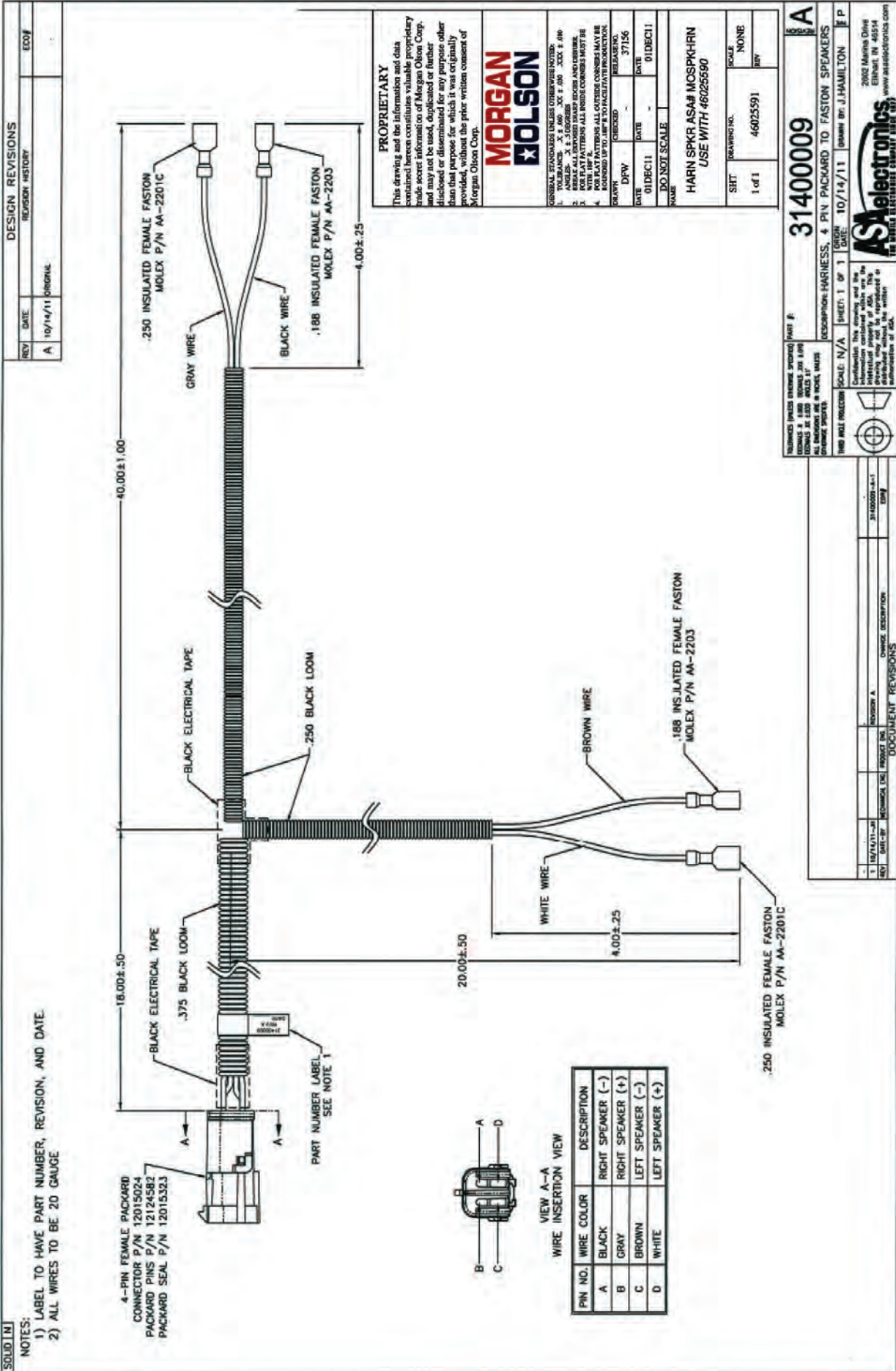
PROPRIETARY

DO NOT SCALE DRAWING

MORGANOLSON
 4500 W. 100th Ave., Suite 100
 Denver, CO 80231
 (303) 440-1000

DATE: 4/19/2017 | ECO#: 32984
 DRAWN: EMR | DESIGNED: JWS/SPK
 DESCRIPTION: WIRING HARNESS
 PART#: 46024562

SHEET 1 of 1
 REV: *



REV	DESCRIPTION	BY	REL'D
	RELEASE TO PRODUCTION	CHK	DATE

PARTS LIST		
ITEM	QTY	DESCRIPTION
1	2	AMP MCP2.8 FLAT TYPE RECEPTACLE
2	1	AMP MCP2.8, TE P/N: 1-968851-1
3	2	CONNECTOR, 2POS, AMP MCP2.8, TE P/N: 1-1355200-1
4	2	SINGLE SEAL, 5.6 mm DIA, TE P/N: 828905-1
5	2	STRANDED WIRE, 16 AWG, INSULATED SX/AEXF OR EQUIVALENT Terminal, Male, 250 Type (KET ST40254-1) (Yasaki 71142020)
6	1	Housing, Female, 2 Terminal, 250 Type (KET MG620042) (Yasaki PN 71222128)

PROPRIETARY
This drawing and the information and data contained hereon constitutes valuable proprietary trade secret information of Morgan Olson Corp. and may not be used, duplicated or further disclosed or disseminated for any purpose other than that purpose for which it was originally provided, without the prior written consent of Morgan Olson Corp.

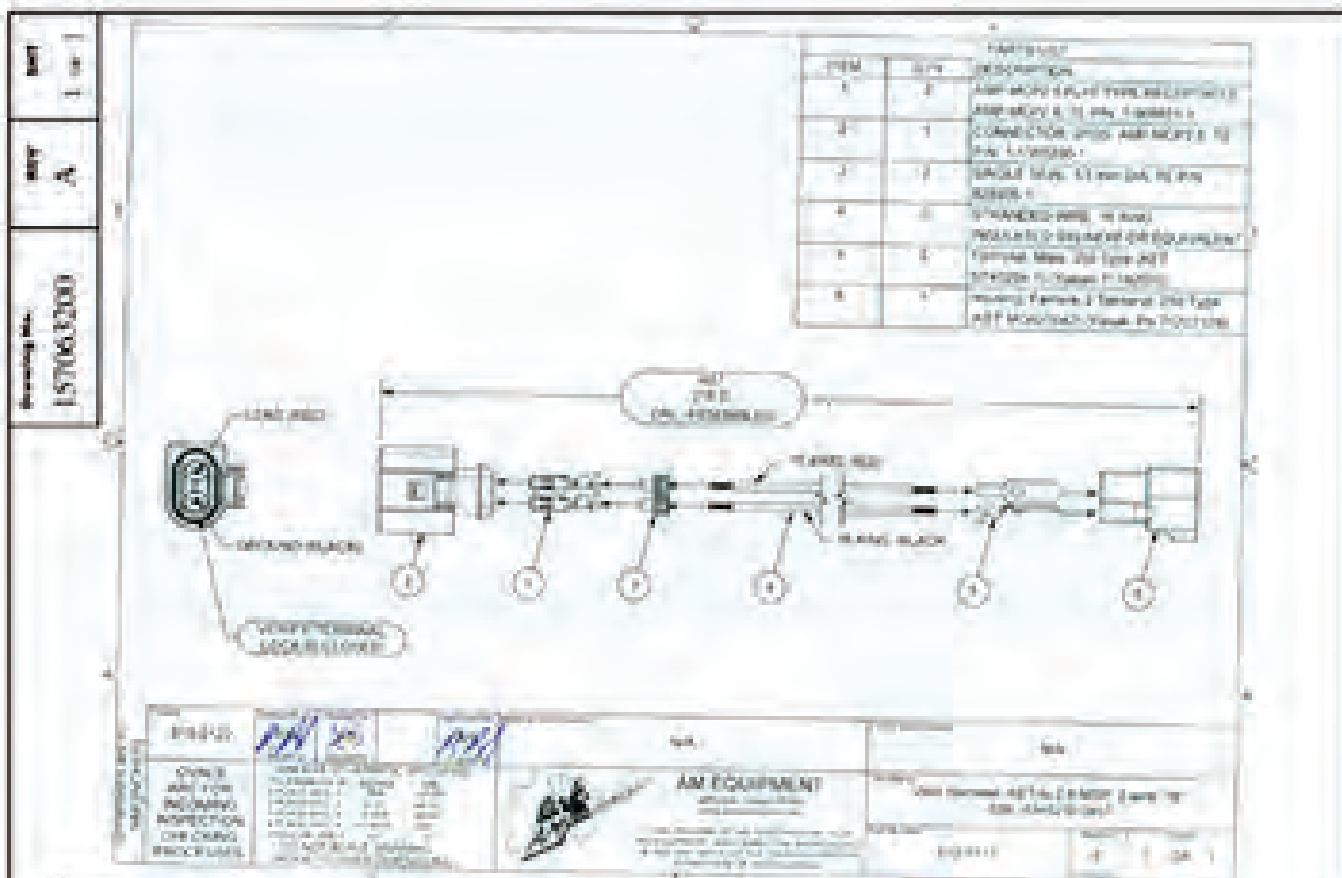


GENERAL STANDARDS UNLESS OTHERWISE NOTED:
 1. TOLERANCE: X ± .060 XX ± .030 XXX ± .010
 ANGLES: X ± .5 DEGREES
 2. ALL EXPOSED SHARP EDGES AND DEBURR
 FOR ALL PATTERNS ALL INSIDE CORNERS MUST BE
 WITH .188" R.
 3. FOR FLAT PATTERNS ALL OUTSIDE CORNERS MAY BE
 ROUNDED UP TO .188" R TO FACILITATE PRODUCTION.
 DRAWN: ALL
 CHECKED: 45440
 DATE: 17JUN15
 DATE: 17JUN15

NAME: HARN PGTL PUMP WSWA 2015 AM EQUIP #310-1117	
SHT: 1 of 1	SCALE: NONE
DRAWING NO: 47004506	REV: REL



Project: 818-0122	Designed by: RR/AS 9/5/2013	Checked by: RR/AS 10/2/2013	Approved by: RR/AS 10/2/2013	Material Specification: N/A	Finish Specification: N/A
OVERSIGHTS ARE FOR INCOMING INSPECTION CHECKING PROCESSES TOLERANCES IN INCHES: 1 PLACE DEC = ±0.01, 2 PLACE DEC = ±0.005, 3 PLACE DEC = ±0.0025, 4 PLACE DEC = ±0.00125 TOLERANCES IN MM: 1 PLACE DEC = ±0.25, 2 PLACE DEC = ±0.13, 3 PLACE DEC = ±0.08, 4 PLACE DEC = ±0.05 ANGULAR DIM = ±1° DO NOT SCALE DRAWING WORK TO GIVEN DIMENSIONS	AM EQUIPMENT Jefferson, Oregon 97352 www.amequipment.com THIS DRAWING IS THE SOLE PROPERTY OF AM EQUIPMENT AND CANNOT BE REPRODUCED IN ANY WAY WITHOUT THE EXPRESS WRITTEN PERMISSION OF AM EQUIPMENT				
File Name: Wire Harness, KET to 2.8 MCP, 2 wire, 18"	Part Number: 310-1117	Revision: 0	Sheet: 1 OF 1	Date: 10/2/2013 10/2/2013	



ADD 18" HIGH-TEMP LOOM 46020207 TO WASHER BOTTLE PIGTAIL 47004506 AND TAPE 1111096 TO BOTH ENDS



GENERAL STANDARDS UNLESS OTHERWISE NOTED:
 1) TOLERANCE: X ± .000 AX ± .000 MAX ± .000
 ANGLES: IN ± .1 DEGREES
 2) BREAK ALL EXPOSED SHARP EDGES AND DEBURR
 FOR FLAT PATTERNS ALL INSIDE CORNERS MUST BE
 WITH .188" R
 3) FOR FLAT PATTERNS ALL OUTSIDE CORNERS MAY BE
 ROUNDED UP TO .188" R TO FACILITATE PRODUCTION

A	CHANGED DRAWING NO FIELD FROM 157063200	EMM	ELIOTSON
	RELEASED TO PRODUCTION		
REV	DESCRIPTION	BY	DATE
		CHK	

DRAWN	CHECKED	RELEASE NO.
JLH	-	45793
DATE	DATE	DATE
08/10/15	-	08/10/15

DO NOT SCALE

PROPRIETARY
 This drawing and the information and data contained hereon constitutes valuable proprietary trade secret information of Morgan Olson Corp. and may not be used, duplicated or further disclosed or disseminated for any purpose other than that purpose for which it was originally provided, without the prior written consent of Morgan Olson Corp.

**HARN WSHR BTL PGTL
 LOOM ADDED**

SHT	DRAWING NO.	SCALE
1 of 1	157063200	NONE
		REV
		A