

# amazon



## Walk In Van Parts Catalog

Morgan Olson Body  
Xos Electric Chassis



1.800.233.4823  
WWW.MORGANOLSON.COM

**MORGAN**  
**★ OLSON**

INTRODUCTION	3
CAB	4
WINDSHIELD	5
HEATER W/ AC	6-7
A/C SYSTEM	8-9
HOOD	10-11
STEPS	12
INSTRUMENT PANEL	13
SEATS	14
FLOOR	15
SIDES	16-17
ROOF	18
BACK	19
BULKHEAD	20-21
SIDE DOORS	22-23
SIDE DOOR POCKETS	24-25
REAR DOOR P/N 47104066	26-29
SHELVES	30
BUMPERS	31
KEYLESS SYSTEMS	32
WIPER ASSEMBLY	33
MIRRORS	34-35
MISCELLANEOUS	36
ELECTRICAL	37-38
WIRING DIAGRAMS	39
360 CAMERA SYSTEMS	40-43
WALK-IN VAN COMMON FASTENERS	44-48
WIRING DIAGRAMS	49-70

This parts guide contains illustrations and part numbers for Amazon P80 Package Delivery Cars and applies to bill of material #s Xos Electric JV003013

## How to order parts from Morgan Olson.

To setup your parts account properly, please call out parts department at 800-233-4823. Once your parts account is established, use any of the methods below to order parts. (If you setup a retail parts account online, you may not get your fleet discount)

### Method 1 (Recommended)

Go to our parts web site, [WWW.MORGANOLSONPARTS.COM](http://WWW.MORGANOLSONPARTS.COM) and search your vehicle VIN number to get a list of parts generated directly from your vehicles Bill of Material.

You can filter the list of items further by selecting the category for the location of the parts. IE. Bumper, Hood, Glass, Rear Door, etc.

You may change the search drop down menu to search by part number, description, unit number or VMRS number.

### Method 2

Use this parts catalog to identify your part numbers.

Then go to [WWW.MORGANOLSONPARTS.COM](http://WWW.MORGANOLSONPARTS.COM) and search by part number to get pricing availability, add the items to your shopping cart.

### Method 3

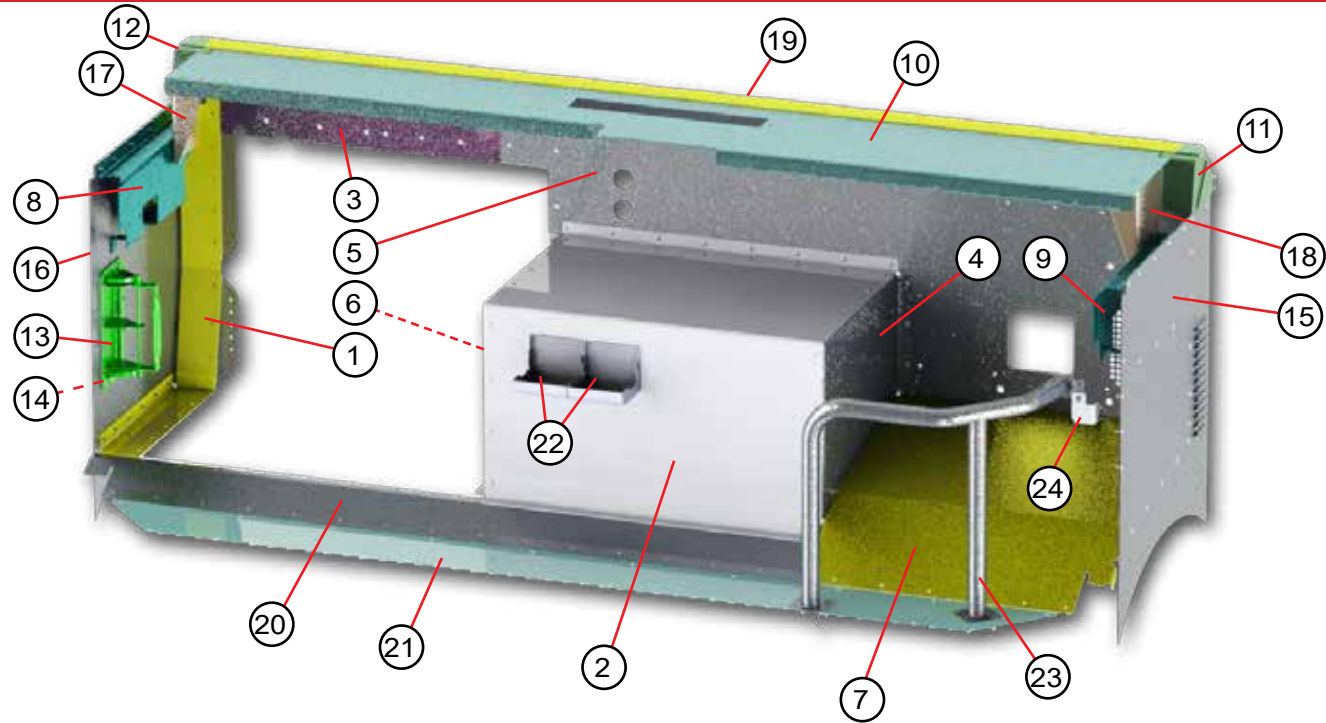
Call our Parts Department at 1-800-233-4823.

Please have your VIN number available and one of our customer service representatives will be able to help you identify the parts you need.

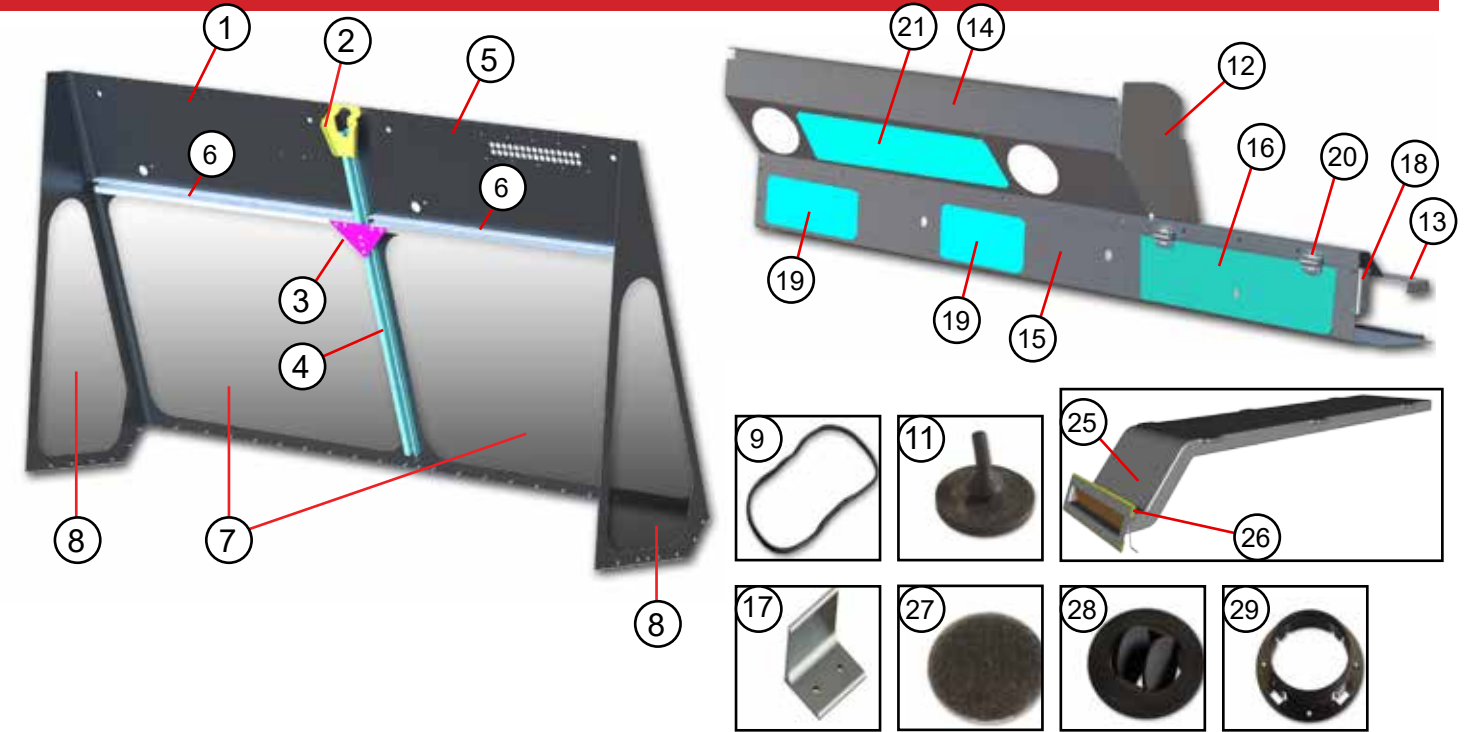
\*If you already know the part numbers of the items you want to order, use our Quick Order page to enter your part numbers and quantities, then click add to cart. [MORGANOLSONPARTS.COM/QUICK-ORDER](http://MORGANOLSONPARTS.COM/QUICK-ORDER)

Note\* Orientation is always from the rear of the vehicle looking forward.  
Roadside = Left Hand LH  
Curbside = Right Hand RH

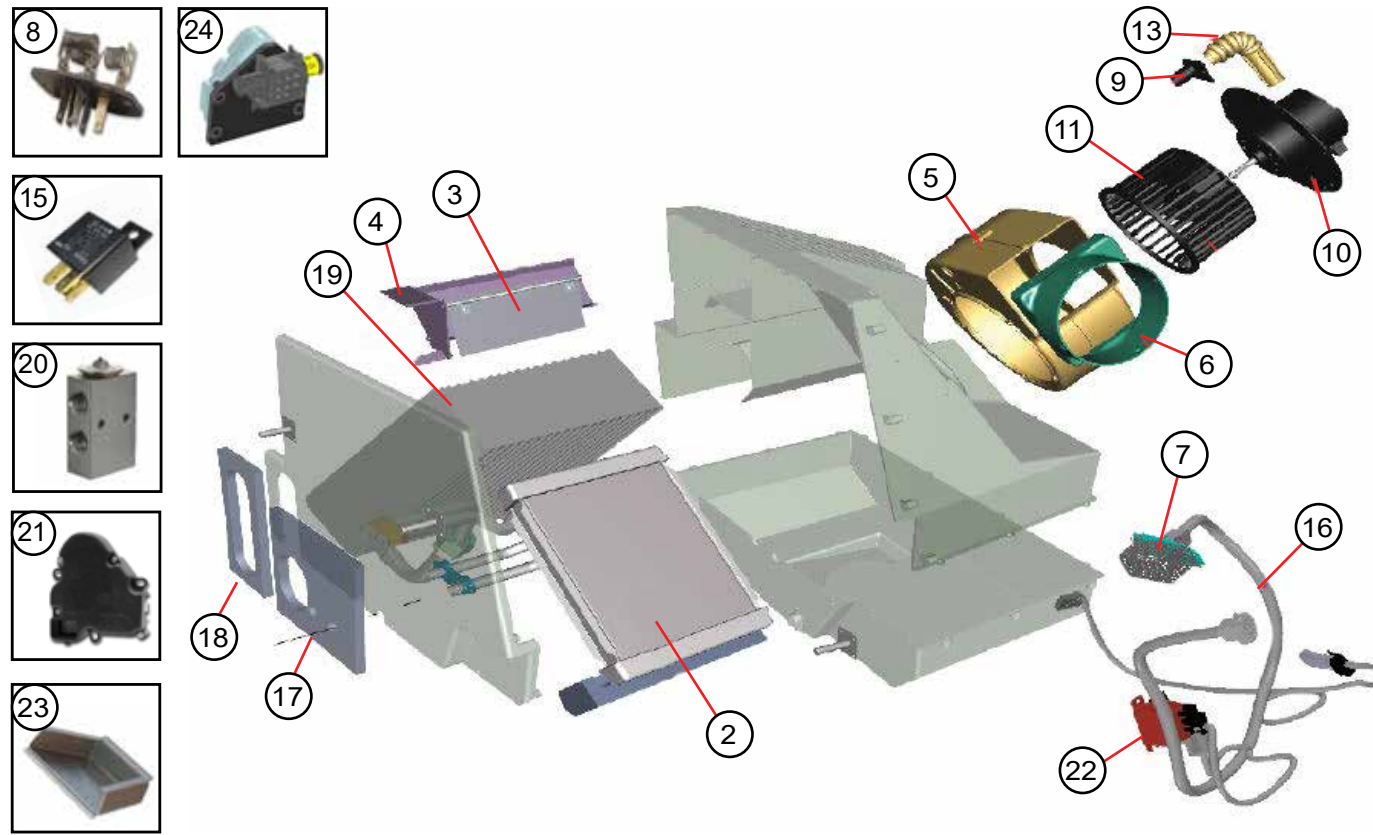
For warranty information, please call 1-800-262-3437



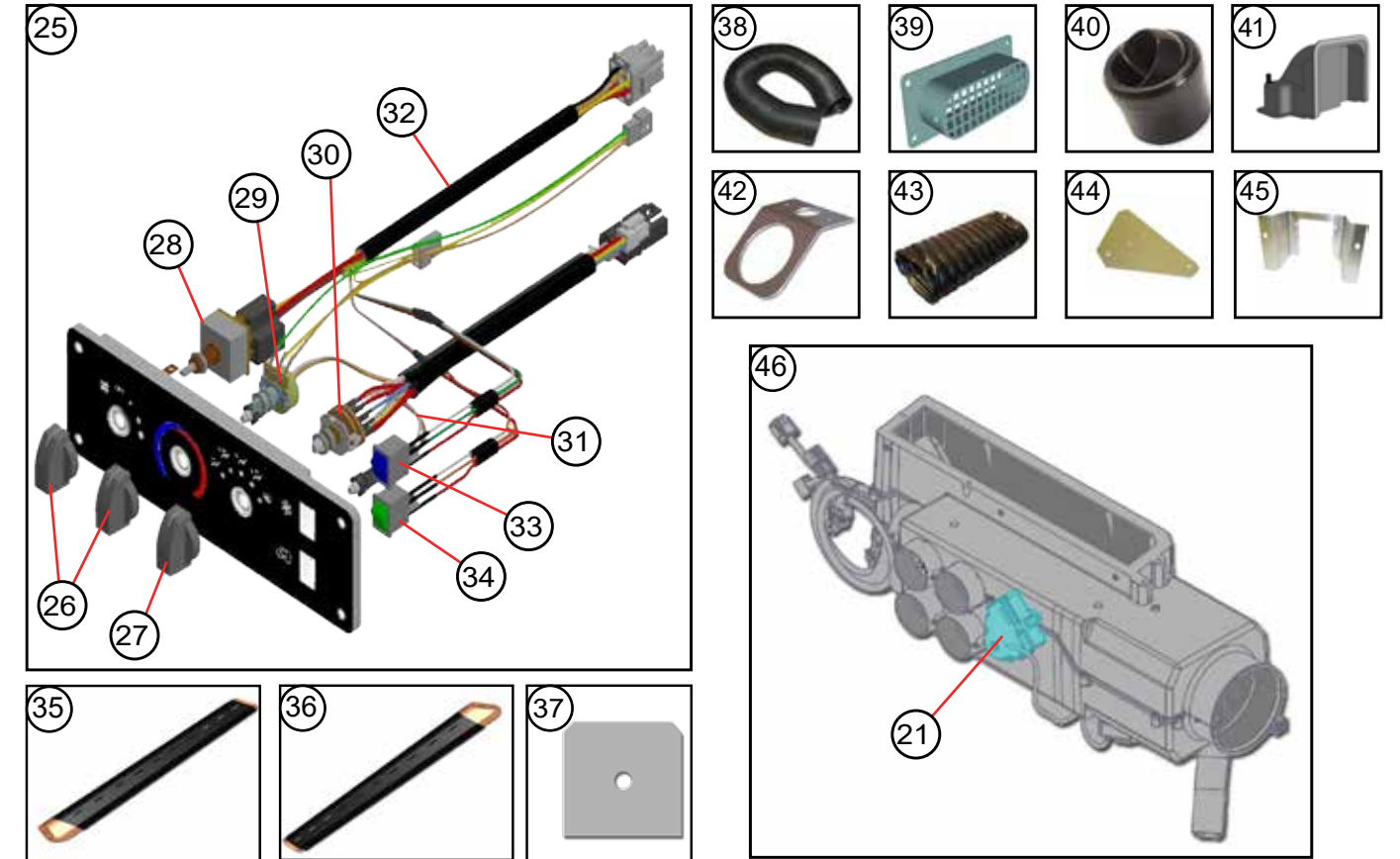
ITEM #	PART #	DESCRIPTION	QTY.	UNIT
1	<a href="#">197005411</a>	DASH TOEBOARD AL .102X4.88X45.95	1	EA
2	<a href="#">197028413</a>	ENGINE BOX PLATE AL .102X28.86X37.35	1	EA
3	<a href="#">207005403</a>	DASH WALL AL .125X8.73X27.3 LH	1	EA
4	<a href="#">197028411</a>	ENGINE BOX COVER AL .102X20.86X24.69	1	EA
5	<a href="#">197005412</a>	DASH WALL HEATER AL .125X25.89X60.42	1	EA
6	<a href="#">197028412</a>	ENGINE BOX COVER AL .102X18.07X20.88	1	EA
7	<a href="#">117005408</a>	PANEL DASH AL .102X26.96X28.02	1	EA
8	<a href="#">190005406</a>	STIFFENER W/S AL .125X12.62X17.81 LH	1	EA
9	<a href="#">190005407</a>	STIFFENER W/S AL .125X12.62X17.81 RH	1	EA
10	<a href="#">187005417</a>	DASH SHELF AL .125X13.73X84	1	EA
11	<a href="#">8502001</a>	CORNER CASTING RH AL	1	EA
12	<a href="#">8502000</a>	CORNER CASTING LH AL	1	EA
13	<a href="#">47008545</a>	VENT AL 2WAY HINGELESS	1	EA
14	<a href="#">47008548</a>	GASKET FOR VENT #47008545	1	EA
15	<a href="#">197005428</a>	CAB SKIRT AL .07X27.28X30.57 RH	1	EA
16	<a href="#">197005410</a>	CAB SKIRT AL .07X27.29X30.57 LH	1	EA
17	<a href="#">177005411</a>	SUPPORT RAIL W/S AL .102X8.26X9.65 LH	1	EA
18	<a href="#">177005412</a>	SUPPORT RAIL W/S AL .102X8.26X9.65 RH	1	EA
19	<a href="#">083005432</a>	RAIL W/S 88W AL 851100X84	1	EA
20	<a href="#">197005413</a>	PLATE TRANSVERSE AL .102X5.24X62.86	1	EA
21	<a href="#">197028410</a>	ENGINE BOX PLATE ALD .08X6.27X81.05	1	EA
22	<a href="#">42007007</a>	CUP HOLDER	2	EA
23	<a href="#">47001042</a>	GRAB HANDLE	1	EA
24	<a href="#">107005490</a>	CLIP ATTACH	1	EA



ITEM #	PART #	DESCRIPTION	QTY.	UNIT
1	<a href="#">188055402</a>	WINDSHIELD FRAME AL .102X53.45X67.53 LH	1	EA
2	<a href="#">077055402</a>	GUSSET FRAME W/S AL .125X6.49X7.27	1	EA
3	<a href="#">998555329</a>	GUSSET FRAME W/S AL .125X4.6X9.19	1	EA
4	<a href="#">077055401</a>	POST W/S CENTER AL 450540X44	1	EA
5	<a href="#">188055403</a>	WINDSHIELD FRAME AL .102X53.45X67.76 RH	1	EA
6	<a href="#">077055405</a>	STIFFENER W/S AL 450540X41.75	2	EA
7	<a href="#">005756400</a>	GLASS WINDSHIELD	2	EA
8	<a href="#">006756400</a>	GLASS SIDE WINDOW	2	EA
9	<a href="#">44004304</a>	WEATHER STRIP WINDSHIELD	2	EA
10	<a href="#">44004309</a>	WEATHER STRIP SIDE WINDOW	2	EA
11	<a href="#">1107102</a>	PLUG BUMPER COMPARTMENT DOOR	2	EA
12	<a href="#">197076403</a>	COVER WIPER AL .102X13.4X21.04	1	EA
13	<a href="#">197076402</a>	COVER TOP AL .102X8.54X29.52	1	EA
14	<a href="#">197076401</a>	COVER WIPER ASSEMBLY AL .102X14.85X57.25	1	EA
15	<a href="#">197076400</a>	SHELF COVER AL .102X17.13X85.31	1	EA
16	<a href="#">103076400</a>	COVER DOOR COMPARTMENT AL .102X5.81X23	1	EA
17	<a href="#">093076401</a>	ANGLE LATCH PLATE STL 1101144X2	1	EA
18	<a href="#">088076449</a>	BRACKET MOUNTING AL .102X2.36X3.9 LH	2	EA
19	<a href="#">088076431</a>	PLATE COVER WIPER MOTOR AL .102X5X12	2	EA
20	<a href="#">47007888</a>	HINGE COMPARTMENT DOOR	2	EA
21	<a href="#">097076435</a>	PLATE COVER ACCESS AL .070X6X28.38	1	EA
NS	<a href="#">47001497</a>	FINGER PULL	1	EA
NS	<a href="#">47001496</a>	LOCK CAM FLAT ZP X 1.38"	1	EA
NS	<a href="#">47001495</a>	LOCK CYLINDER W/2 KEYS	1	EA
25	<a href="#">47008856</a>	VENT	1	EA
26	<a href="#">94010316</a>	BRACKET VENT REINFORCEMENT	2	EA
27	<a href="#">48000504</a>	FILTER FOAM	1	EA
28	<a href="#">47008547</a>	LOUVER ROUND	1	EA
29	<a href="#">47008546</a>	RING LOUVER MOUNTING	1	EA

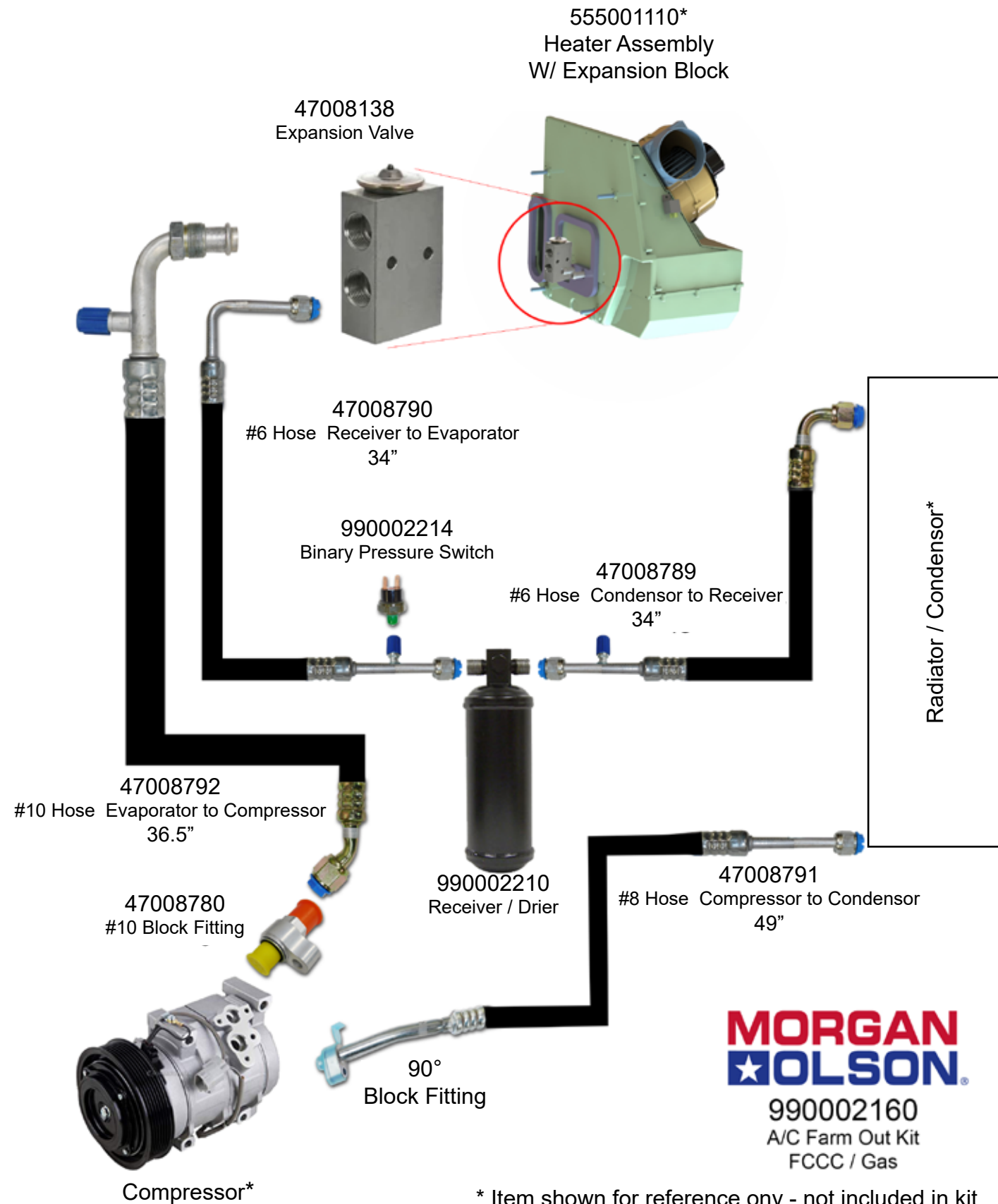


ITEM #	PART #	DESCRIPTION	QTY	UNIT
	<a href="#">555001110</a>	HEATER ASSEMBLY	1	EA
2	<a href="#">47008760</a>	HEATER COIL WITH GASKETS / CLAMP	1	EA
3	Call	DOOR	1	EA
4	Call	A/C PARTITION	1	EA
5	<a href="#">47008754</a>	BLOWER HOUSING	1	EA
6	<a href="#">47008755</a>	BLOWER ADAPTER	1	EA
7	<a href="#">47008732</a>	RESISTOR CAGE	1	EA
8	<a href="#">47008357</a>	RESISTOR	1	EA
9	<a href="#">47008731</a>	VENT TUBE ADAPTOR	1	EA
10	<a href="#">46032339</a>	BLOWER MOTOR	1	EA
11	<a href="#">47008769</a>	BLOWER WHEEL	1	EA
12	<a href="#">47008799</a>	CLIP, BLOWER MOTOR SHAFT	1	EA
13	<a href="#">47008730</a>	VENT TUBE	1	EA
15	<a href="#">47008716</a>	RELAY	1	EA
16	<a href="#">47008768</a>	HARNESS	1	EA
17	N/A	GASKET (part of housing assembly)	1	EA
18	N/A	GASKET (part of housing assembly)	1	EA
19	<a href="#">47008763</a>	EVAPORATOR COIL ASSEMBLY	1	EA
20	<a href="#">47008138</a>	EXPANSION VALVE	1	EA
21	<a href="#">47008705</a>	ACTUATOR MOTOR	1	EA
22	<a href="#">47008615</a>	THERMOSTAT	1	EA
23	<a href="#">197080500</a>	BRACKET - AIR INTAKE	1	EA
24	<a href="#">555002056</a>	WATER VALVE	1	EA



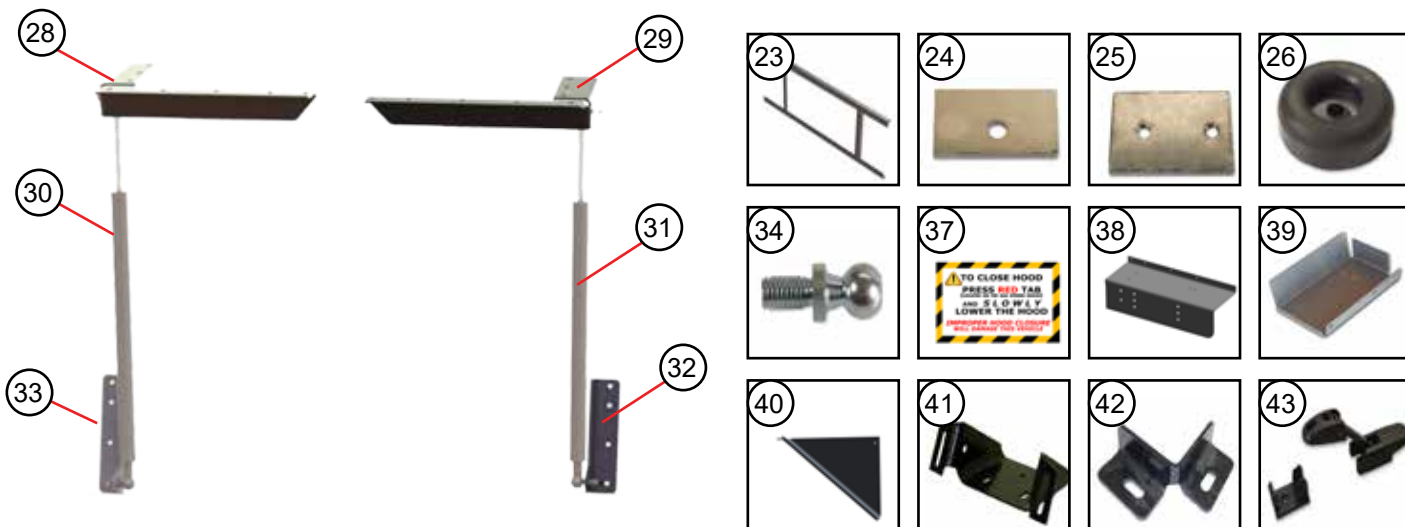
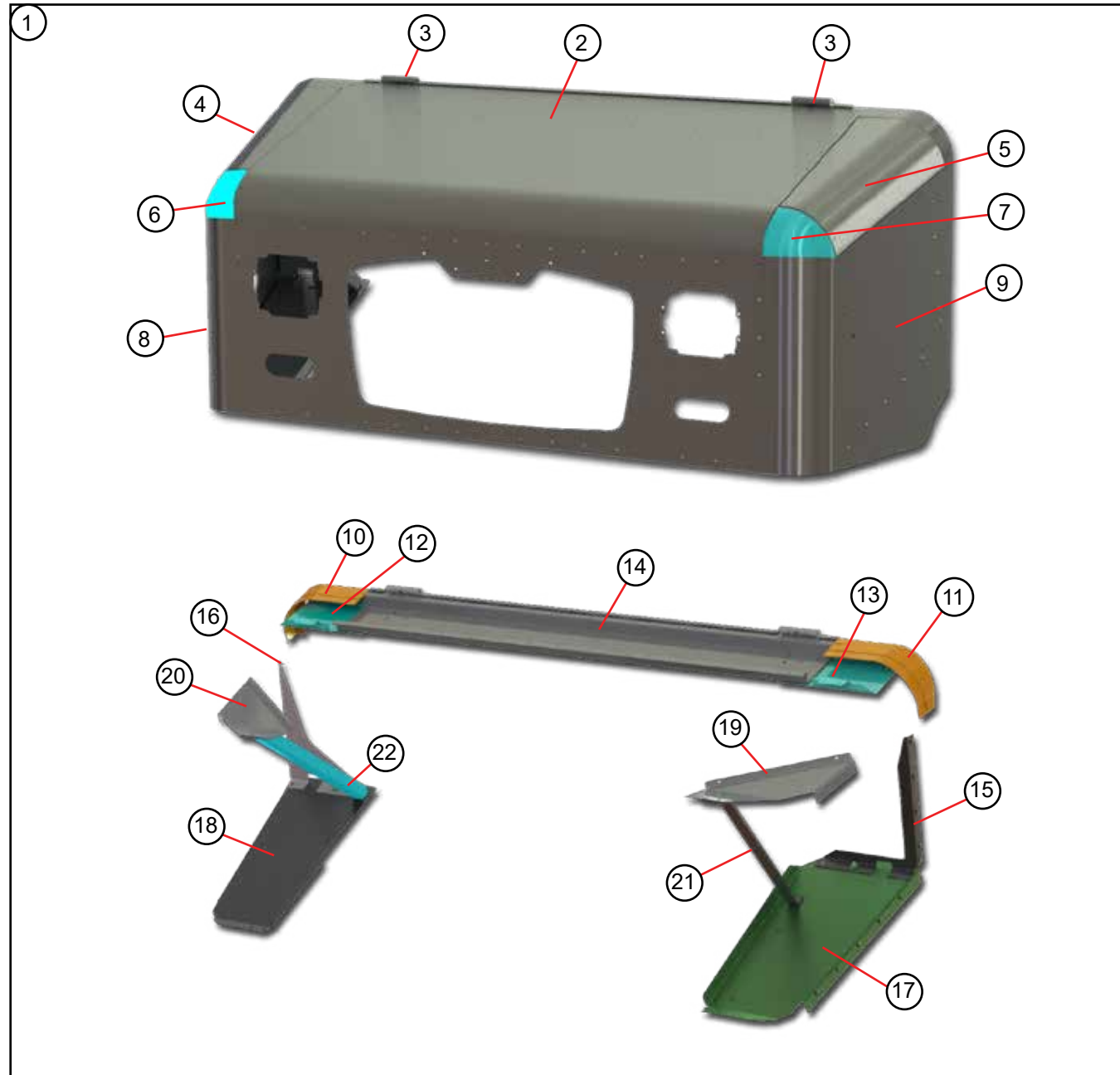
ITEM #	PART #	DESCRIPTION	QTY	UNIT
25	<a href="#">555001416</a>	CONTROL PANEL ASSEMBLY	1	EA
26	<a href="#">47008706</a>	KNOB	2	EA
27	<a href="#">47008735</a>	KNOB - MODE SELECTOR	1	EA
28	<a href="#">46023202</a>	SWITCH - BLOWER SPEED	1	EA
29	<a href="#">47008710</a>	SWITCH - TEMPERATURE CONTROL	1	EA
30	<a href="#">47008774</a>	SWITCH - MODE SELECTOR	1	EA
31	<a href="#">47008711</a>	HARNESS ILLUMINATION	1	EA
32	<a href="#">47008778</a>	HARNESS	1	EA
33	<a href="#">47008775</a>	ROCKER SWITCH BLUE	1	EA
34	<a href="#">47008776</a>	ROCKER SWITCH GREEN	1	EA
35	<a href="#">555001721</a>	DEFROST DUCT CURBSIDE METAL	1	EA
36	<a href="#">555001722</a>	DEFROST DUCT ROADSIDE METAL	1	EA
37	<a href="#">093080400</a>	HOLD DOWN PLATE DEFROSTER DUCTS	4	EA
38	<a href="#">555001523</a>	HOSE DEFROSTER 2.5X16	1	EA
38	<a href="#">555001524</a>	HOSE DEFROSTER 2.5X30	1	EA
38	<a href="#">555001525</a>	HOSE DEFROSTER 2.5X38	3	EA
39	<a href="#">555002003</a>	COLLAR FRESH AIR INTAKE	1	EA
40	<a href="#">555001715</a>	LUVER BALL	6	EA
41	<a href="#">555002007</a>	PLENUM FRESH AIR SIDE WALL	1	EA
42	<a href="#">107027405</a>	BRACKET HEATER VENT	1	EA
43	<a href="#">555001533</a>	HOSE BLOWER HEATER/DEFROSTER 5"X7.5"	1	EA
44	<a href="#">005780402</a>	MOUNTING PLATE	1	EA
45	<a href="#">002080400</a>	BRACKET WATER VALVE	1	EA
46	<a href="#">555001321</a>	DUCT HVAC PLENUM	1	EA

990002160

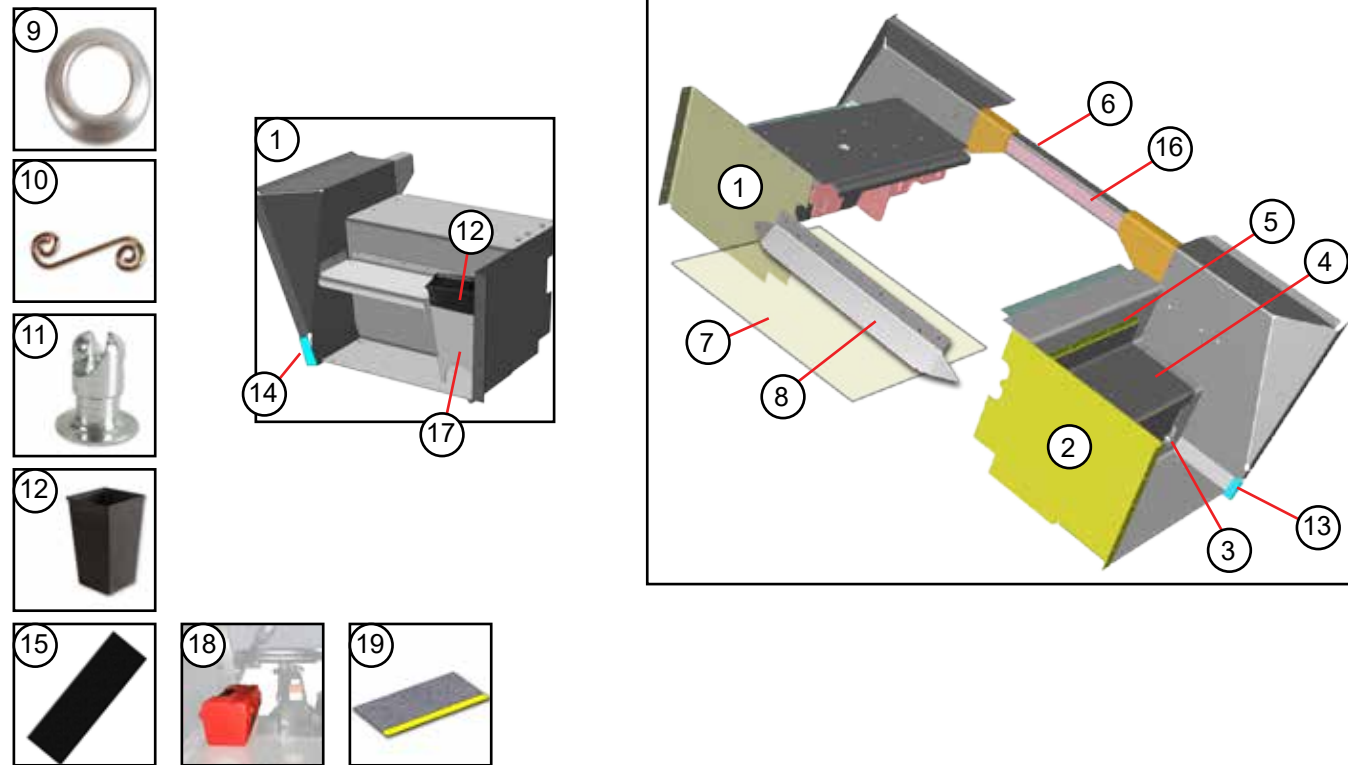


\* Item shown for reference only - not included in kit

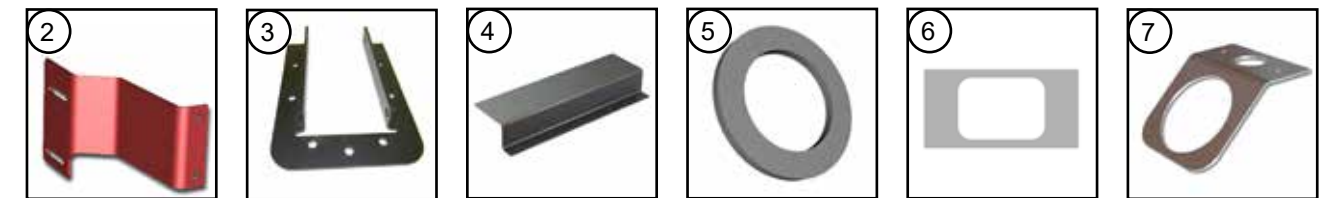
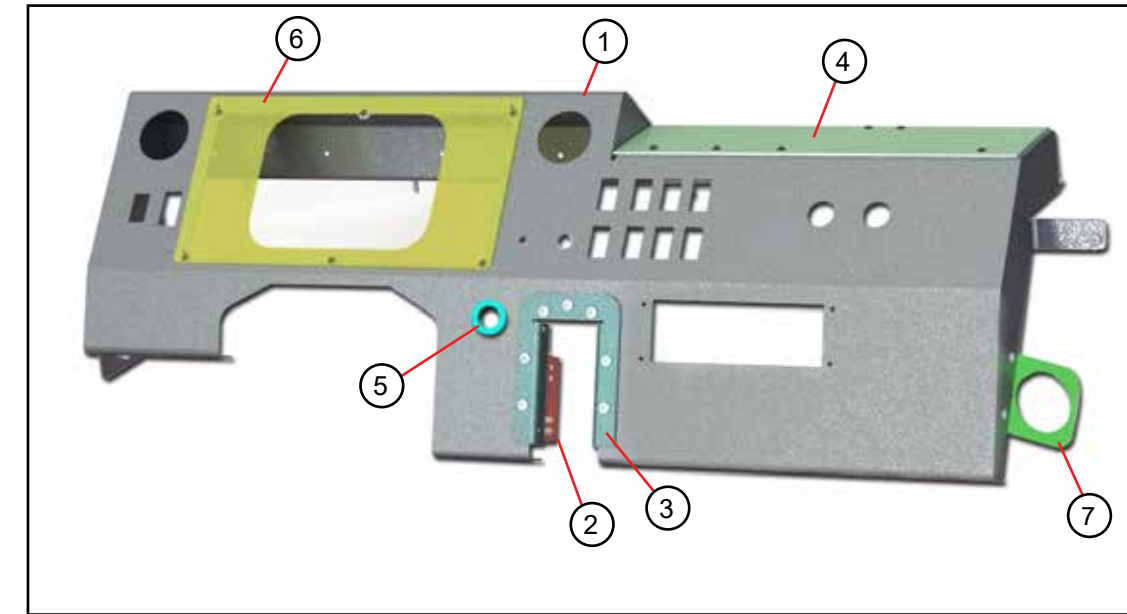
ITEM	PART NUMBER	DESCRIPTION
1	<a href="#">47008789</a>	#6 HOSE ASSEMBLY (CONDENSER TO RECEIVER)
2	<a href="#">47008790</a>	#6 HOSE ASSEMBLY (RECEIVER TO EVAPORATOR)
3	<a href="#">47008791</a>	#8 HOSE ASSEMBLY (COMPRESSOR TO CONDENSOR)
4	<a href="#">47008792</a>	#10 HOSE ASSEMBLY (EVAPORATOR TO COMPRESSOR)
5	<a href="#">990002210</a>	RECEIVER / DRIER
6	<a href="#">990002211</a>	BRACKET RECEIVER / DRIER
7	Call	HARNES JUMPER WIRE
8	Call	WIRE HARNES - PRESSURE SWITCH JUMPER
9	<a href="#">990002214</a>	BINARY PRESSURE SWITCH
10	<a href="#">47008716</a>	RELAY
11	<a href="#">47008780</a>	BLOCK FITTING #10 (COMPRESSOR)
NS	<a href="#">990002217</a>	#6 O-RING
NS	<a href="#">47008153</a>	#8 O-RING
NS	<a href="#">990002218</a>	#10 O-RING
NS	<a href="#">990002216</a>	LABEL, REFRIGERANT



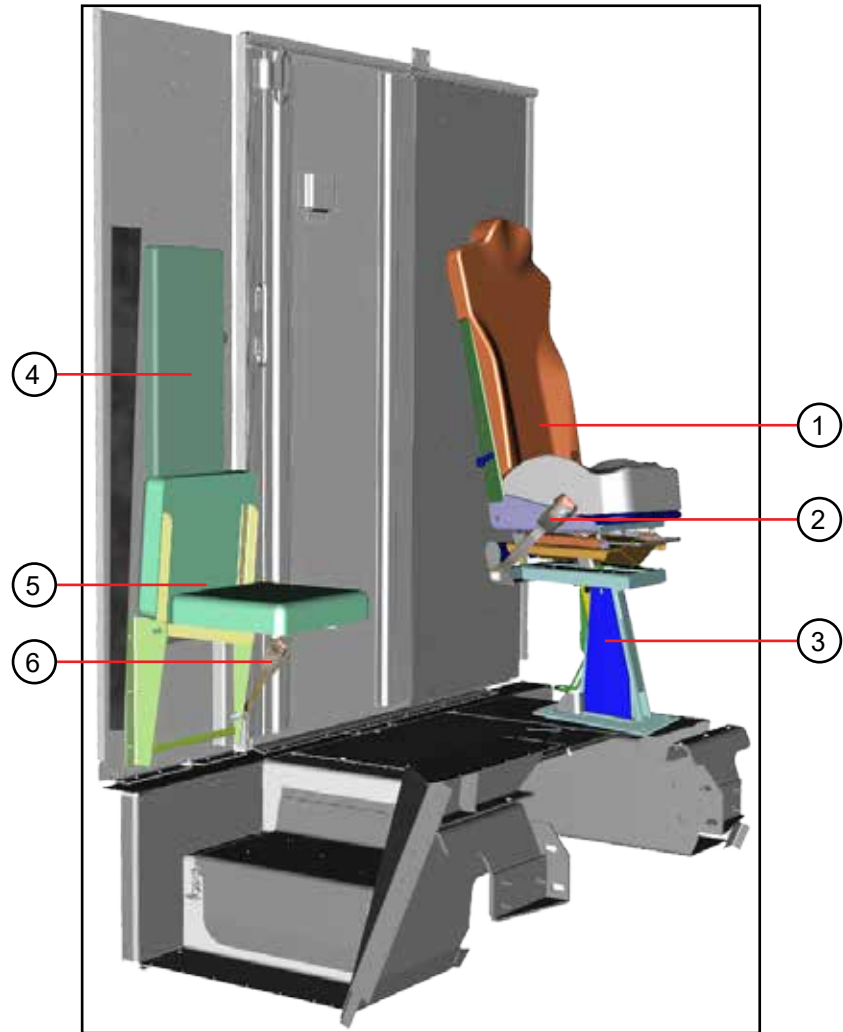
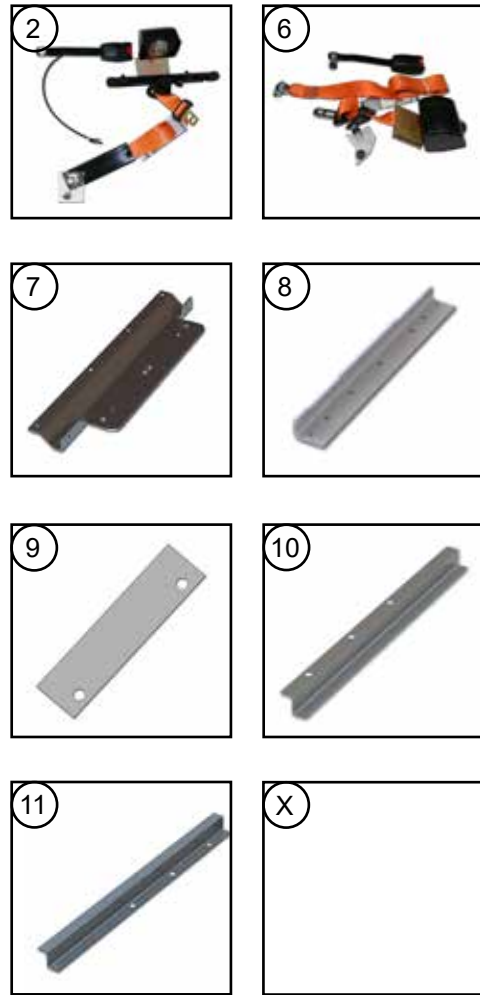
ITEM #	PART #	DESCRIPTION	QTY.	UNIT
1	<a href="#">197017000</a>	HOOD INSTALLATION 88W (ITEMS 1 THRU 26)	1	EA
2	<a href="#">197017400</a>	PANEL HOOD FCC AL .07X53.36X67	1	EA
3	<a href="#">47007852</a>	HINGE COMPLETE ASSEMBLY	2	EA
4	<a href="#">088017417</a>	COWL HOOD AL .07X16.0X22.09 RH	1	EA
5	<a href="#">088017416</a>	COWL HOOD AL .07X16.0X22.09 LH	1	EA
6	<a href="#">45100058</a>	CORNER AL CASTING FRONT RH	1	EA
7	<a href="#">45100057</a>	CORNER AL CASTING FRONT LH	1	EA
8	<a href="#">088017415</a>	SKIRT HOOD AL .07X30.78X33.11 RH	1	EA
9	<a href="#">088017414</a>	SKIRT HOOD AL .07X30.78X33.11 LH	1	EA
10	<a href="#">45100061</a>	CAP AL COWL END AFT RH	1	EA
11	<a href="#">45100060</a>	CAP AL COWL END AFT LH	1	EA
12	<a href="#">115017404</a>	STIFFENER HOOD AL .102X10.98X15 RH	1	EA
13	<a href="#">115017403</a>	STIFFENER HOOD AL .102X10.98X15 LH	1	EA
14	<a href="#">088017419</a>	STIFFENER HOOD AL 450015X63.62	1	EA
15	<a href="#">197017404</a>	SPLASH PAN SUPPORT AL .102X6.7X16.84 LH	1	EA
16	<a href="#">197017406</a>	SPLASH PAN SUPPORT AL .102X13.07X16.84 RH	1	EA
17	<a href="#">197017401</a>	SPLASH PAN AL .102X16.45X26.95 LH	1	EA
18	<a href="#">197017402</a>	SPLASH PAN AL .102X16.45X26.95 RH	1	EA
19	<a href="#">95817312</a>	GUSSET CORNER AL .07X13.52X14.72 LH	1	EA
20	<a href="#">95817313</a>	GUSSET CORNER AL .07X13.52X14.72 RH	1	EA
21	<a href="#">197017405</a>	STRAP SPLASH PAN AL .125X7.83X25.8 LH	1	EA
22	<a href="#">088017438</a>	STRAP SPLASH PAN AL .125X2.98X25.76 RH	1	EA
23	<a href="#">207017200</a>	SUPPORT ASSEMBLY GRILL 88W	1	EA
24	<a href="#">96717312</a>	SHIM HOOD AL .125X.62X1.88	2	EA
25	<a href="#">91617304</a>	PLATE TAP AL .188X2X2.69	2	EA
26	<a href="#">44002004</a>	BUMPER RUBBER HOOD REST	2	EA
NS	<a href="#">45700101</a>	GRILL WIRE MESH 20.5X38.81	1	EA
28	<a href="#">197016402</a>	BRACKET GAS SPRING AL .125X5.1X16.49 RH	1	EA
29	<a href="#">197016401</a>	BRACKET GAS SPRING AL .125X5.1X16.49 LH	1	EA
30	<a href="#">47006116</a>	GAS SPRING W/LK 150LB 28/16.5 IGS	1	EA
31	<a href="#">47006117</a>	GAS SPRING W/O LK 150LB 28/16.5 IGS	1	EA
32	<a href="#">124016404</a>	BRACKET HOOD LOWER AL .188X2.9X6.4 RH	1	EA
33	<a href="#">124016403</a>	BRACKET HOOD LOWER AL .188X2.9X6.4 LH	1	EA
34	<a href="#">40900019</a>	STUD BALL	4	EA
NS	<a href="#">097016404</a>	SUPPORT ANGLE AL .188X1.5X6.29 RH	1	EA
NS	<a href="#">097016405</a>	SUPPORT ANGLE AL .188X1.5X6.29 LH	1	EA
37	<a href="#">43000903</a>	HOOD PROPER INSTRUCTION LABEL	1	EA
38	<a href="#">147026401</a>	SPLASH PAN 88W AL .125X8.47X17.68 RH	1	EA
39	<a href="#">197026400</a>	SPLASH PAN 88W AL .125X11.25X14.33 LH	1	EA
40	<a href="#">147026414</a>	CHANNEL DRIP AL LH (RUBBER PLUG <a href="#">44002024</a> )	1	EA
41	<a href="#">077150400</a>	SUPPORT HOOD STEEL 11GA X5.53X9.62	2	EA
42	<a href="#">96713300</a>	ANGLE HOOD REST STEEL 11GA X1.85X4.74	2	EA
43	<a href="#">47000613</a>	HOOD LATCH	2	EA



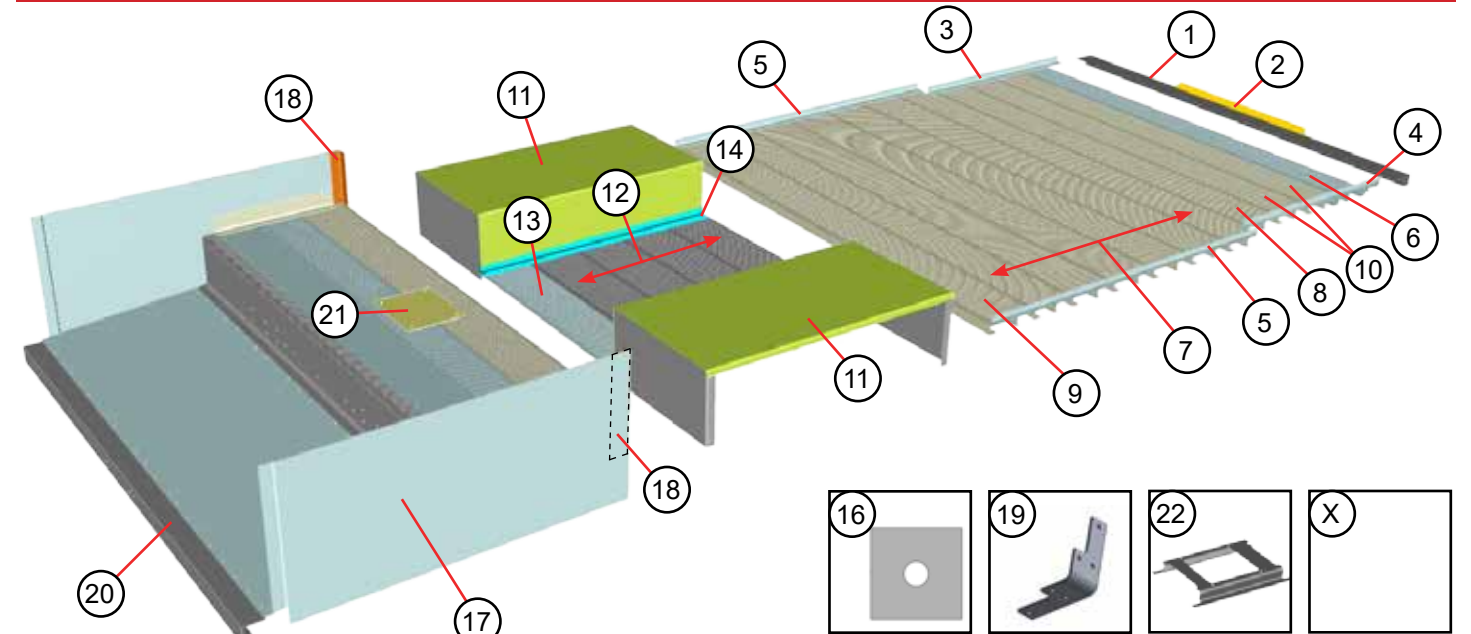
ITEM#	PART #	DESCRIPTION	QTY.	UNIT
1	<a href="#">187024201</a>	STEP ASSEMBLY ROADSIDE	1	EA
2	<a href="#">197024200</a>	STEP ASSEMBLY CURBSIDE	1	EA
3	<a href="#">1113334</a>	LATCH STEPS	2	EA
4	<a href="#">167024405</a>	BATTERY LID AL .125X22.25X23.9	1	EA
5	<a href="#">187024401</a>	HINGE AL .075X1.12X1.75X21	1	EA
6	<a href="#">077240400</a>	CROSS MEMBER CENTER AL 456106X41	1	EA
7	<a href="#">187024200</a>	FLOOR TRANSVERSE ALD .125X26.13X30.88	1	EA
8	<a href="#">208024412</a>	ANGLE FLOOR TRANVERSE AL .102X6.35X38.7	1	EA
9	<a href="#">40900081</a>	GROMMET HALF	7	EA
10	<a href="#">40900082</a>	SPRING	7	EA
11	<a href="#">40900080</a>	STUD	7	EA
12	<a href="#">45200051</a>	TRASH BIN BLACK	1	EA
13	<a href="#">107024415</a>	PLATE FILLER STEP CURBSIDE AL .125X4.02X4.87	1	EA
14	<a href="#">107024416</a>	PLATE FILLER STEP ROADSIDE AL .125X4.02X4.87	1	EA
15	<a href="#">96724608</a>	DAMPENING PAD 45200007X9X20	1	EA
16	<a href="#">077050402</a>	SHIM AL .25X1.62X20.8	1	EA
17	<a href="#">077240433</a>	BRACKET TRASH BIN AL .125X12.83X15.92	1	EA
18	<a href="#">47009608</a>	EMERGENCY KIT 3 FLEX TRIANGLE	1	EA
19	<a href="#">45400586</a>	PLATE STEP FIBERGLASS .17X9.72X19.75 CS UPPER	1	EA
19	<a href="#">45400587</a>	PLATE STEP FIBERGLASS .17X7.38X17.63 RS UPPER	1	EA
19	<a href="#">45400588</a>	PLATE STEP FIBERGLASS .17X9.75X17.63 RS LOWER	1	EA
19	<a href="#">45400589</a>	PLATE STEP FIBERGLASS .17X7.19X23 CS LOWER	1	EA



ITEM #	PART #	DESCRIPTION	QTY.	UNIT
1	<a href="#">197027200</a>	INSTRUMENT PANEL WELDMENT	1	EA
2	<a href="#">107027403</a>	BRACE I/P AL.102X3.75X8.43	1	EA
3	<a href="#">002027423</a>	BRACKET SHIFT LEVER	2	EA
4	<a href="#">187027407</a>	I/P COVER PANEL AL .102X8.4X18.5	1	EA
5	<a href="#">006327202</a>	SPACER IGNITION SWITCH	1	EA
6	<a href="#">098027402</a>	PLATE ADAPTOR AL .102X8.25X16	1	EA
7	<a href="#">107027405</a>	BRACKET VENT	1	EA

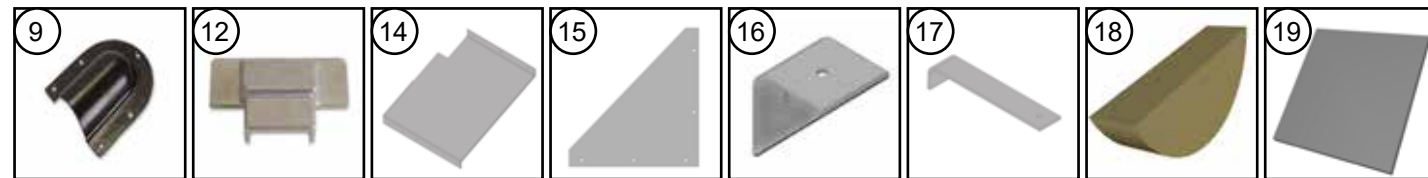
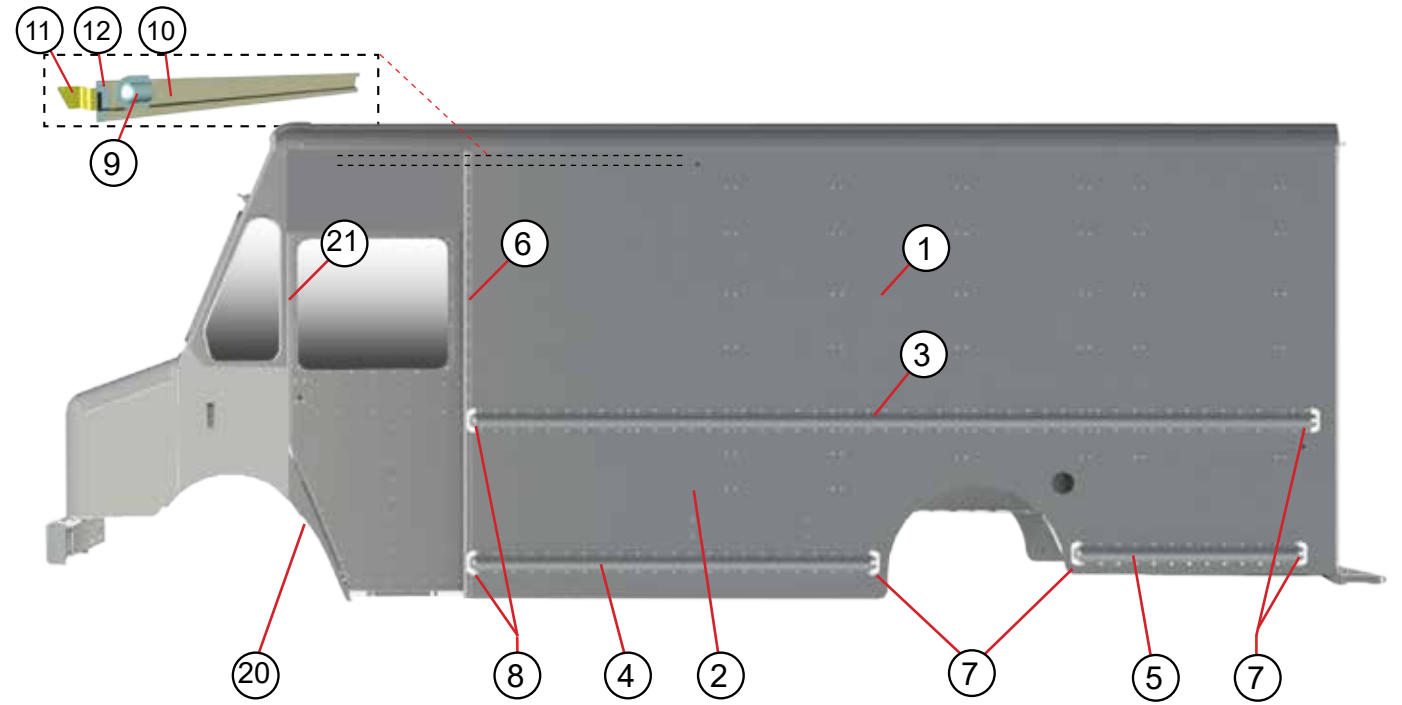


ITEM #	PART #	DESCRIPTION	QTY.	UNIT
1	<a href="#">47003318</a>	HI-BACK SEAT S&P	1	EA
2	<a href="#">47042600</a>	SEAT BELT 7" ADJUSTABLE D LOOP ORANGE	1	EA
3	<a href="#">47012666</a>	SEAT BASE ASSEMBLY	1	EA
4	<a href="#">47002506</a>	HEAD / BACK REST	1	EA
5	<a href="#">47002507</a>	JUMP SEAT	1	EA
6	<a href="#">47004366</a>	3 POINT SEAT BELT W/ BOOT	1	EA
7	<a href="#">005754400</a>	SEATBELT ANCHOR BRACKET	1	EA
8	<a href="#">197068400</a>	ANGLE FLOOR MOUNTING	1	EA
9	<a href="#">128024410</a>	BASE REINFORCEMENT	1	EA
10	<a href="#">197069400</a>	STIFFENER @ BULKHEAD FOR JUMP SEAT RH	1	EA
11	<a href="#">197069401</a>	STIFFENER @ BULKHEAD FOR JUMP SEAT LH	2	EA

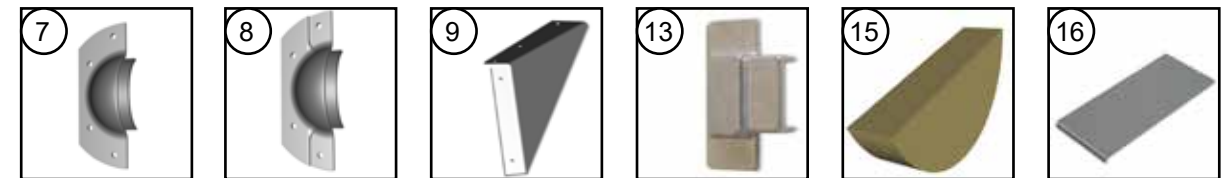
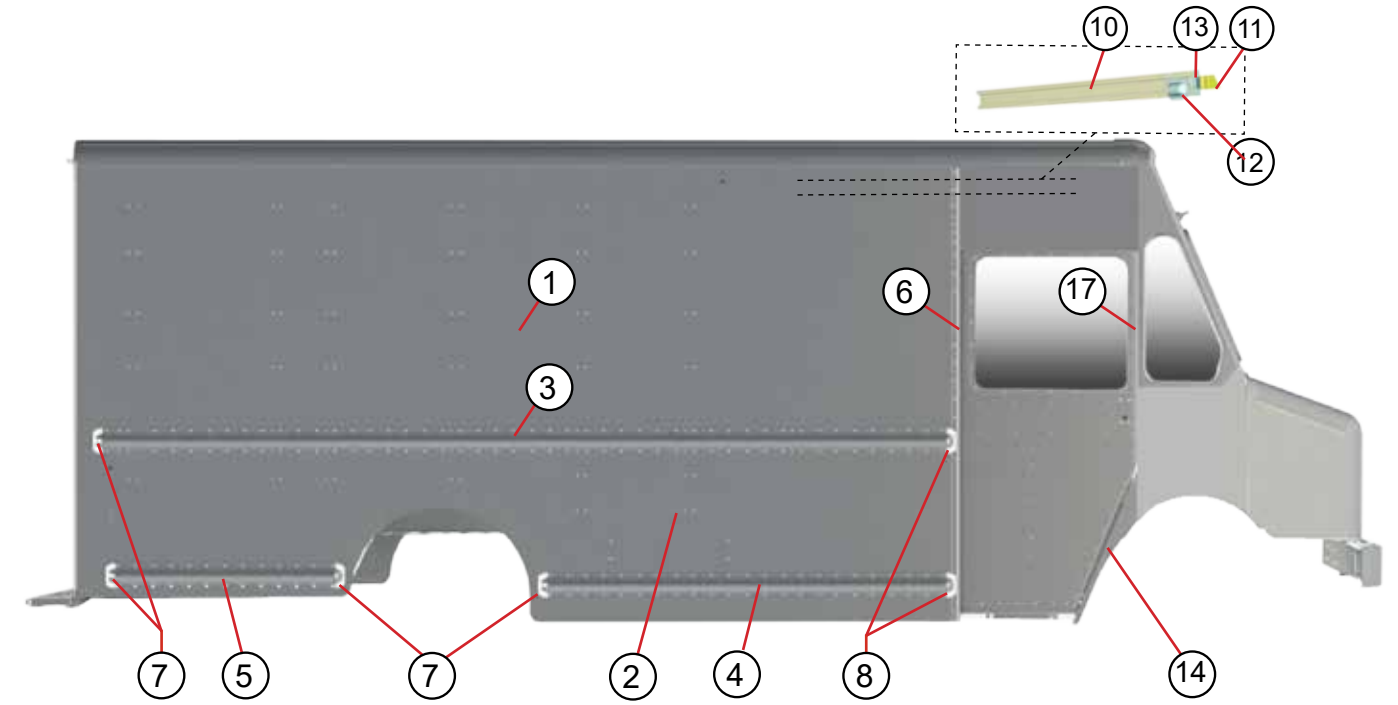


ITEM #	PART #	DESCRIPTION	QTY.	UNIT
1	<a href="#">197031400</a>	BEAM @ O /LINE AL 480000X81.38	1	EA
2	<a href="#">001730416</a>	ANGLE STEP AL 450187X33.38	1	EA
3	<a href="#">181030400</a>	ANGLE FLOOR @ DOOR/POCKETS 450303X36.5 LH	1	EA
4	<a href="#">181030401</a>	ANGLE FLOOR @ DOOR/POCKETS 450303X36.5 RH	1	EA
5	<a href="#">127031400</a>	ANGLE FLOOR AL 450303X59.38	2	EA
6	<a href="#">45058300</a>	BEAM AL FLOOR RIBBED FEM/LAP 7X81.25	1	EA
7	<a href="#">45058601</a>	BEAM AL FLOOR RIBBED M/FEM 9X87.25	4	EA
8	<a href="#">45058402</a>	BEAM AL FLOOR RIBBED M/FEM 8X87.25	2	EA
9	<a href="#">45058700</a>	BEAM AL FLOOR RIBBED M/FEM 8.5X87.25	1	EA
10	<a href="#">45058413</a>	BEAM AL FLOOR RIBBED M-FEM 8X81.25	3	EA
11	<a href="#">117032200</a>	WHEEL BOX ASSEMBLY	2	EA
12	<a href="#">45058611</a>	BEAM AL FLOOR RIBBED M-FEM 9X40.44	4	EA
13	<a href="#">45058502</a>	BEAM AL FLOOR RIBBED M-M 8X40.44	1	EA
14	<a href="#">95869302</a>	ANGLE WHEEL BOX ALE 450018X42	2	EA
16	<a href="#">40000102</a>	SPACER TIE/DOWN .375HR CP.561DX2X2SQ	2	EA
17	<a href="#">197078200</a>	FLOOR DROP WELDMENT	1	EA
18	<a href="#">094078417</a>	ANGLE SUPPORT AL 450523X9.75	2	EA
19	<a href="#">157033401</a>	BRACKET SILL AL .25X2.75X13.46	2	EA
20	<a href="#">197078400</a>	SILL CROSSMEMBER AL456149X87.5	1	EA
21	<a href="#">128012421</a>	PLATE ACCESS COVER ALD .125X9.61X11.62	1	EA
22	<a href="#">128012408</a>	SUPPORT ACCESS COVER AL .125X14.54X18.6	1	EA

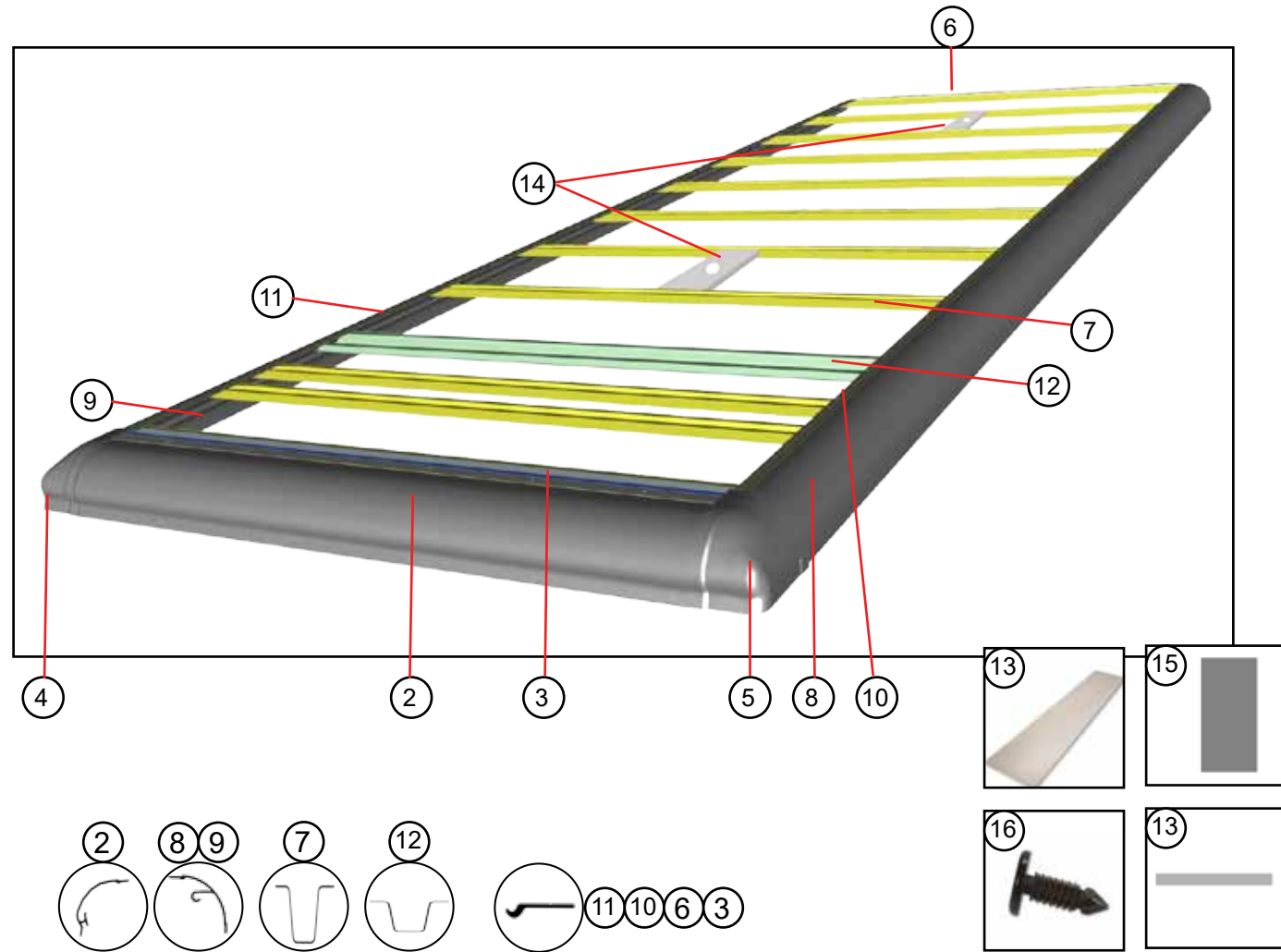




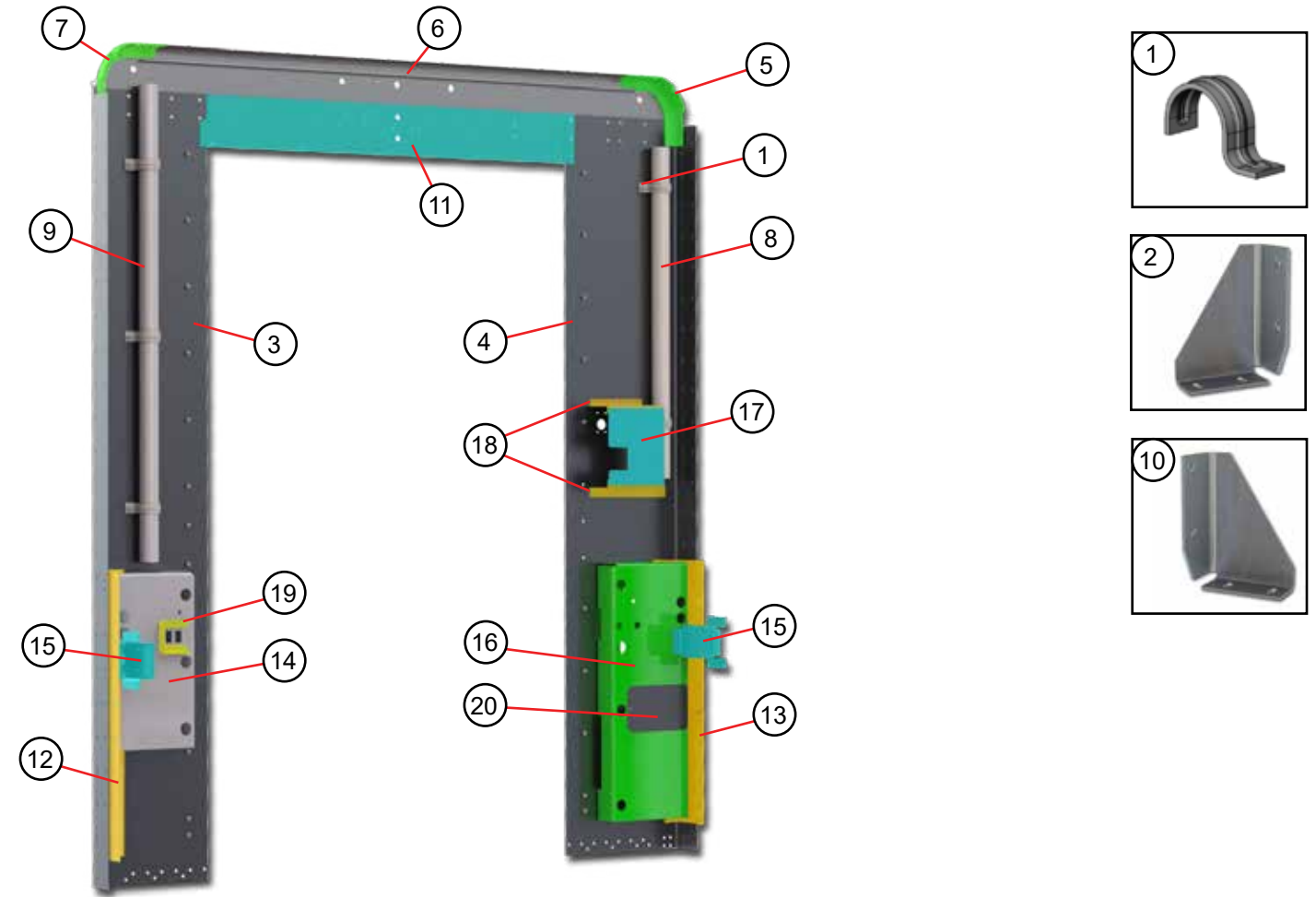
ITEM #	PART #	DESCRIPTION		QTY.	UNIT
1	<a href="#">197038411</a>	SIDE PANEL UPPER	AL .102X60X196.32 L/R	1	EA
2	<a href="#">197037500</a>	SIDE PANEL LOWER	AL .102X38.79X196.32 LH	1	EA
3	<a href="#">127038402</a>	RUB RAIL	AL 450002X188.38	1	EA
4	<a href="#">127037406</a>	RUB RAIL LOWER FWD	AL 450002X99	1	EA
5	<a href="#">187037402</a>	RUB RAIL LOWER REAR	AL 450002X49	1	EA
6	<a href="#">107400400</a>	B POST ROADSIDE	ALE 450274X101.12	1	EA
7	<a href="#">1100799</a>	RUBRAIL CAP REAR	AL .125X2.37X5.5	4	EA
8	<a href="#">1100800</a>	RUBRAIL CAP FWD	AL .125X2.37X5.5	2	EA
9	<a href="#">47008533</a>	VENT END CAP PLASTIC		1	EA
10	<a href="#">187042400</a>	STIFFENER HEADER	AL 450328X73.75	1	EA
11	<a href="#">187042402</a>	ZEE CLIP	AL .102X3X9.57	1	EA
12	<a href="#">45100074</a>	CAP RAIL END (INTERIOR - @HEADER STIFFENER)		1	EA
NS	<a href="#">96739300</a>	SIDE GUSSET ROADSIDE	AL .102X10.34X10.99	2	EA
14	<a href="#">157026403</a>	SPLASH/PAN FUEL/FILL	AL .07X24.71X27.52	1	EA
15	<a href="#">187026401</a>	SPLASH/PAN EXTENTION	AL .125X17.81X19.93	1	EA
16	<a href="#">82312025</a>	SUPPORT SPLASH/PAN	AL .07X1.5X2.84	2	EA
17	<a href="#">118012401</a>	SUPPORT FUEL/FILL	AL .102X1X5.02	1	EA
18	<a href="#">45900001</a>	PLUG WD RUB RAIL	.75X1.12X2.9	2	EA
19	<a href="#">107037450</a>	PLATE FILLER	AL .125X3X3.38	2	EA
20	<a href="#">107022400</a>	SKIRT TAIL	AL 07X5.19X37.38	1	EA
21	<a href="#">47001084</a>	GRAB HANDLE		1	EA



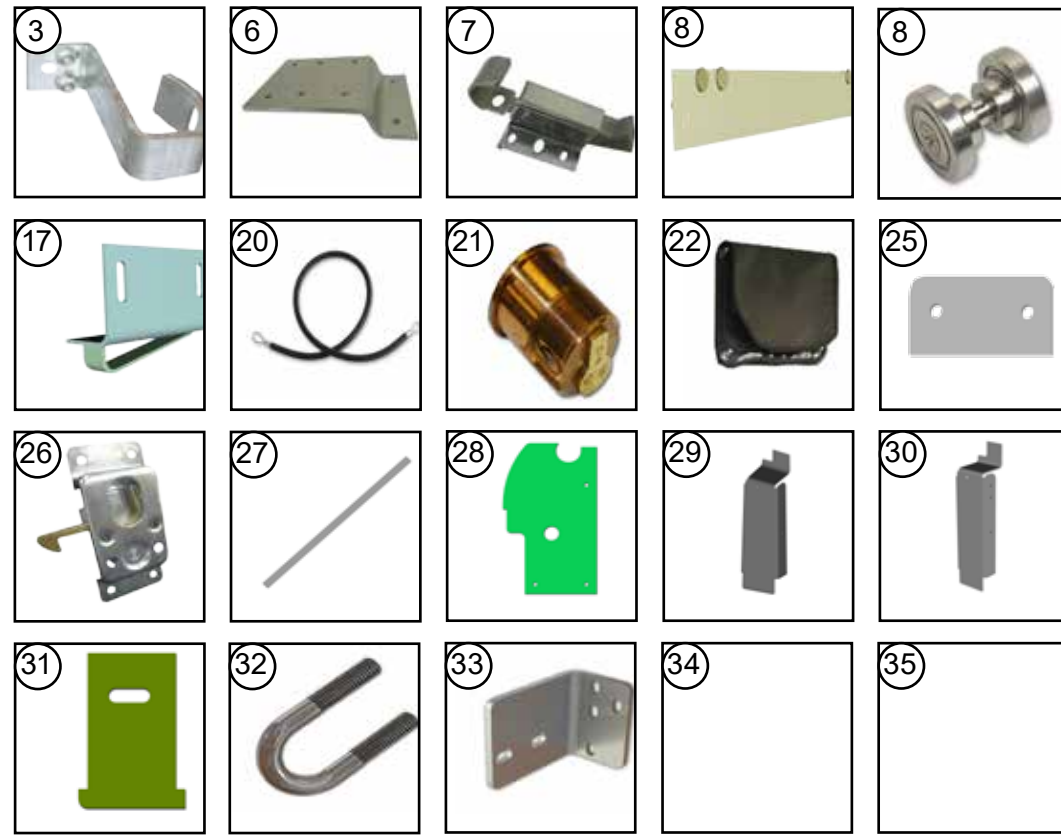
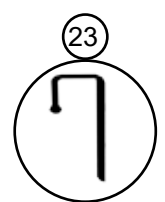
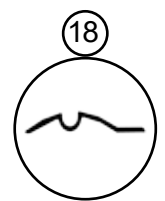
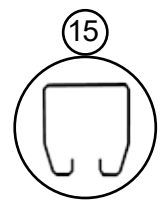
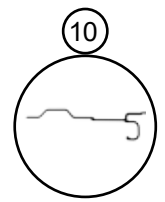
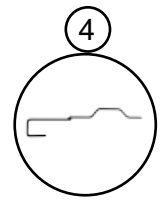
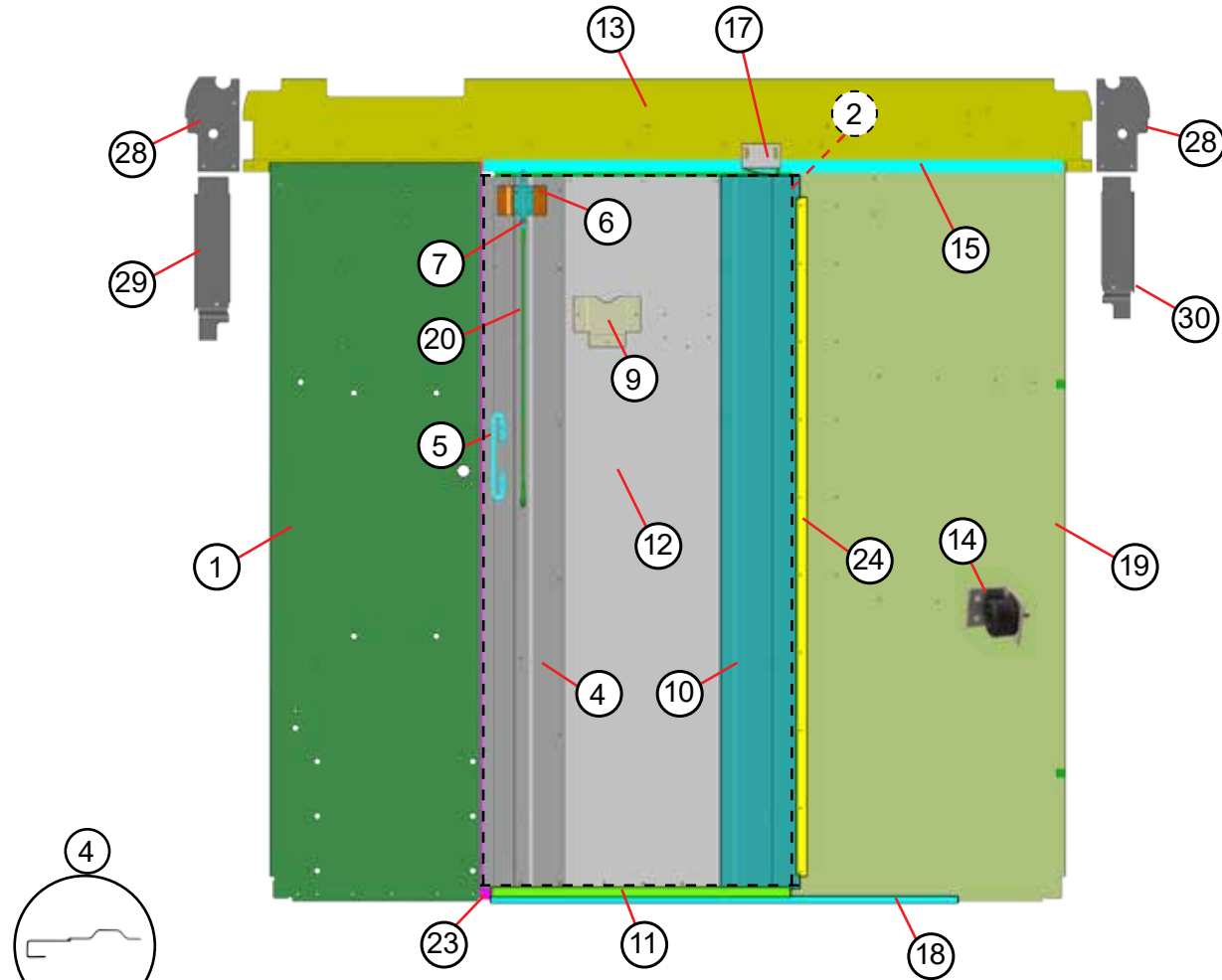
ITEM #	PART #	DESCRIPTION		QTY	UNIT
1	<a href="#">197038411</a>	SIDE PANEL UPPER	AL .102X60X196.32L/R	1	EA
2	<a href="#">197037501</a>	SIDE PANEL LOWER	AL .102X38.79X196.32	1	EA
3	<a href="#">127038402</a>	RUBRAIL	AL 450002X188.38	1	EA
4	<a href="#">127037406</a>	LOWER RUBRAIL FWD	AL 450002X89	1	EA
5	<a href="#">187037402</a>	LOWER RUBRAIL REAR	AL 450002X49	1	EA
6	<a href="#">107400401</a>	"B" POST RH	ALE 450274X101.12	1	EA
7	<a href="#">1100799</a>	RUBRAIL CAP REAR	AL .125X2.37X5.5	4	EA
8	<a href="#">1100800</a>	RUBRAIL CAP FWD	AL .125X2.37X5.5	2	EA
9	<a href="#">96739301</a>	SIDE GUSSET RH	AL .102X10.34X10.99	2	EA
10	<a href="#">187042401</a>	STIFFENER HEADER	AL 450328X73.75	1	EA
11	<a href="#">187042402</a>	ZEE CLIP	AL .102X3X9.57	1	EA
12	<a href="#">47008533</a>	VENT END CAP PLASTIC		1	EA
13	<a href="#">45100074</a>	RAIL CAP END (INTERIOR @ HEADER STIFFENER)		1	EA
14	<a href="#">107022401</a>	SKIRT TAIL	AL 07X5.19X37.38	1	EA
15	<a href="#">45900001</a>	PLUG WD RUB RAIL	.75X1.12X2.9	2	EA
16	<a href="#">197026401</a>	GUARD CAMERA MID	AL .07X5.76X11.24	2	EA
16	<a href="#">197026402</a>	GUARD MARKER LAMP	AL .07X9.75X23.06	2	EA
17	<a href="#">47001084</a>	GRAB HANDLE		1	EA



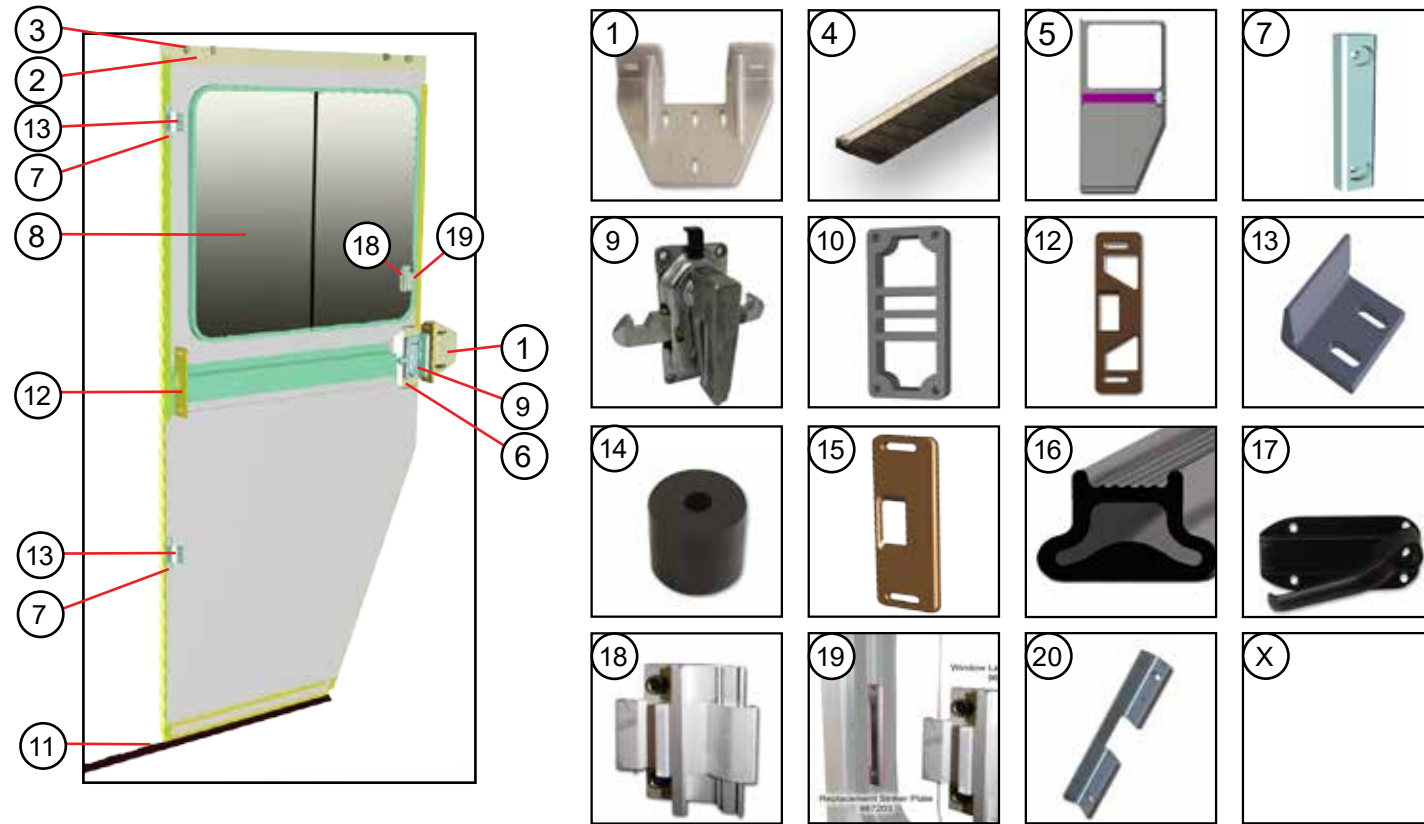
ITEM #	PART #	DESCRIPTION	QTY.	UNIT
2	<a href="#">083010401</a>	NOSE AL 456107X77.5	1	FT
3	<a href="#">001710407</a>	INTERLOCK NOSE ROOF AL 45014X77.38	1	EA
4	<a href="#">077100401</a>	CORNER CASTING FRONT CURBSIDE	1	EA
5	<a href="#">077100400</a>	CORNER CASTING FRONT ROADSIDE	1	EA
6	<a href="#">001710408</a>	INTERLOCK TRANSOM ROOF AL 450140X74.88	1	EA
7	<a href="#">45601604</a>	BEAM ROOF SEC456016 X84.12	10	EA
8	<a href="#">207010400</a>	RAIL ROOF ROADSIDE AL456144X232.25	1	EA
9	<a href="#">207010401</a>	RAIL ROOF CURBSIDE AL456144X232.25	1	EA
10	<a href="#">207010402</a>	INTERLOCK ROOF ROADSIDE AL450140X232.25	1	EA
11	<a href="#">207010403</a>	INTERLOCK ROOF CURBSIDE AL450140X232.25	1	EA
12	<a href="#">001710410</a>	BEAM ROOF STEEL GALV 14GAX8.33X84.12	1	EA
13	<a href="#">45200847</a>	ROOF SKIN FIBERGLASS RF RISC .075X77XFT	19.8	FT
14	<a href="#">96710324</a>	DOME LAMP BRACKET AL.102X9X27.19	2	EA
15	<a href="#">42002025</a>	ROOF LINER CAB 38.75X79.88	1	EA
16	<a href="#">47006610</a>	CLIP PLASTIC	48	EA
17	<a href="#">108011410</a>	FILLER - ROOF LINER AL .07X3X37.5	2	EA
NS	<a href="#">1109001</a>	INSULATION FIBERGLASS 48" X (FT)	5.3	FT



ITEM #	PART #	DESCRIPTION	QTY.	UNIT
1	<a href="#">40400054</a>	CLAMP CONDUIT 2.375 DIA	5	EA
2	<a href="#">187050407</a>	ANGLE SUPPORT AL .102X5.11X6.11 LH	1	EA
3	<a href="#">197050404</a>	PANEL BACK AL .188X20.04X95 RH	1	EA
4	<a href="#">197050402</a>	PANEL BACK AL .188X22.04X95 LH	1	EA
5	<a href="#">45100098</a>	CORNER AL CAST ROOF REAR LH	1	EA
6	<a href="#">167050414</a>	TRANSOM AL 450352X86.63	1	EA
7	<a href="#">45100099</a>	CORNER AL CAST ROOF REAR RH	1	EA
8	<a href="#">167050406</a>	CONDUIT WIRING BACK 45200375X43	1	EA
9	<a href="#">167050407</a>	CONDUIT WIRING BACK 40400054X57	1	EA
10	<a href="#">187050408</a>	ANGLE SUPPORT AL .102X5.11X6.11 RH	1	EA
11	<a href="#">197050405</a>	PLATE HEADER AL.188X6.43X56.26	1	EA
12	<a href="#">177050415</a>	REINFORCEMENT INNER AL .188X9.35X34 RH	1	EA
13	<a href="#">177050414</a>	REINFORCEMENT INNER AL .188X9.35X34 LH	1	EA
14	<a href="#">197050403</a>	GUARD LAMP REAR AL .102X15.84X24.01 RH	1	EA
15	<a href="#">187050412</a>	GUARD LAMP SIDE AL .102X8.76X10.07	2	EA
16	<a href="#">197050407</a>	GUARD LAMP REAR AL .102X16.99X36.01 LH	1	EA
17	<a href="#">197050409</a>	PANEL ACCESS RUD LOCK GUARD AL .102X9X10	1	EA
18	<a href="#">197050410</a>	BRACKET RUD LOCK GUARD AL .102X5.27X9	2	EA
19	<a href="#">197050412</a>	SWITCH COVER AL .102X2X11.52	1	EA
20	<a href="#">097076436</a>	PLATE COVER ACCESS AL .070X6X10	1	EA

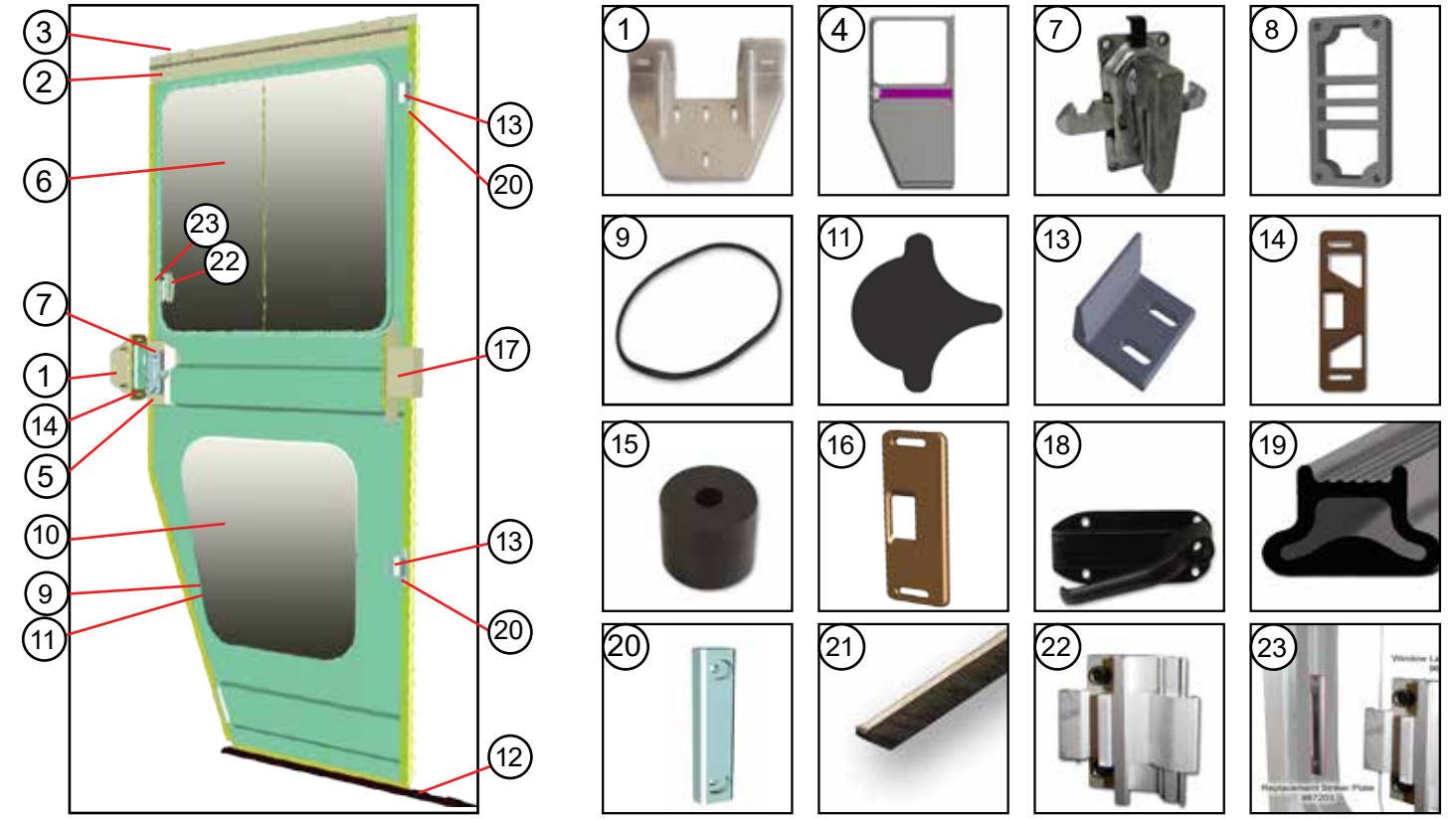


ITEM #	PART #	DESCRIPTION	QTY.	UNIT
1	<a href="#">197070405</a>	BULKHEAD PANEL CURBSIDE	1	EA
2	<a href="#">197070201</a>	BULKHEAD DOOR ASSEMBLY	1	EA
3	<a href="#">005770402</a>	STRIKER BULKHEAD LATCH	1	EA
4	<a href="#">147070403</a>	EDGE BULKHEAD DOOR CURBSIDE	1	EA
5	<a href="#">90187300</a>	GRAB HANDLE	1	EA
6	<a href="#">92537309</a>	LATCH MOUNTING PLATE	1	EA
7	<a href="#">1113046</a>	FINGER LATCH	1	EA
8	<a href="#">147070201</a>	HANGER ASSEMBLY (BEARINGS - <a href="#">47006595</a> X 4 PAIR)	1	EA
9	<a href="#">96770314</a>	HAZARDOUS MATERIAL DOCUMENT HOLDER	1	EA
10	<a href="#">96770306</a>	EDGE BULKHEAD DOOR ROADSIDE	1	EA
11	<a href="#">96770304</a>	WEAR STRIP / GUIDE BULKHEAD DOOR	1	EA
12	<a href="#">96770303</a>	PANEL DOOR AL	1	EA
13	<a href="#">197070406</a>	HEADER BULKHEAD ZEE	1	EA
14	<a href="#">5903152</a>	DOOR STOP ASSEMBLY	1	EA
15	<a href="#">005770200</a>	DOOR TRACK ASSEMBLY	1	EA
17	<a href="#">001770207</a>	STRIKER ASSEMBLY	1	EA
18	<a href="#">96770316</a>	DOOR GUIDE @ FLOOR	1	EA
19	<a href="#">197070404</a>	BULKHEAD PANEL ROADSIDE	1	EA
20	<a href="#">1113600</a>	PULL CABLE ASSEMBLY	1	EA
21	<a href="#">1113456</a>	LOCK CYLINDER ASSEMBLY	1	EA
22	<a href="#">47009079</a>	DOCUMENT POUCH	1	EA
23	<a href="#">087070408</a>	DOOR JAMB AL 450326X74.37 CURBSIDE	1	EA
24	<a href="#">96770311</a>	CHANNEL BULKHEAD AL 450502X69.75 ROADSIDE	1	EA
25	<a href="#">96770313</a>	SPACER PLATE	4	EA
26	<a href="#">1113457</a>	LATCH GATE	1	EA
27	<a href="#">147070402</a>	SHIM BULKHEAD DOOR	1	EA
28	<a href="#">177070401</a>	PLATE BULKHEAD HEADER	2	EA
29	<a href="#">177070404</a>	COVER HEADER AL .055X3.83X14.32 RH	1	EA
30	<a href="#">177070403</a>	COVER HEADER AL .055X3.83X14.32 LH	1	EA
31	<a href="#">177070402</a>	PLATE SEAL DOOR POCKET	2	EA
32	<a href="#">40300931</a>	U BOLT (STRIKER)	1	EA
33	<a href="#">197147408</a>	BRACKET U-BOLT MOUNTING (STRIKER)	1	EA
34				EA
35				EA

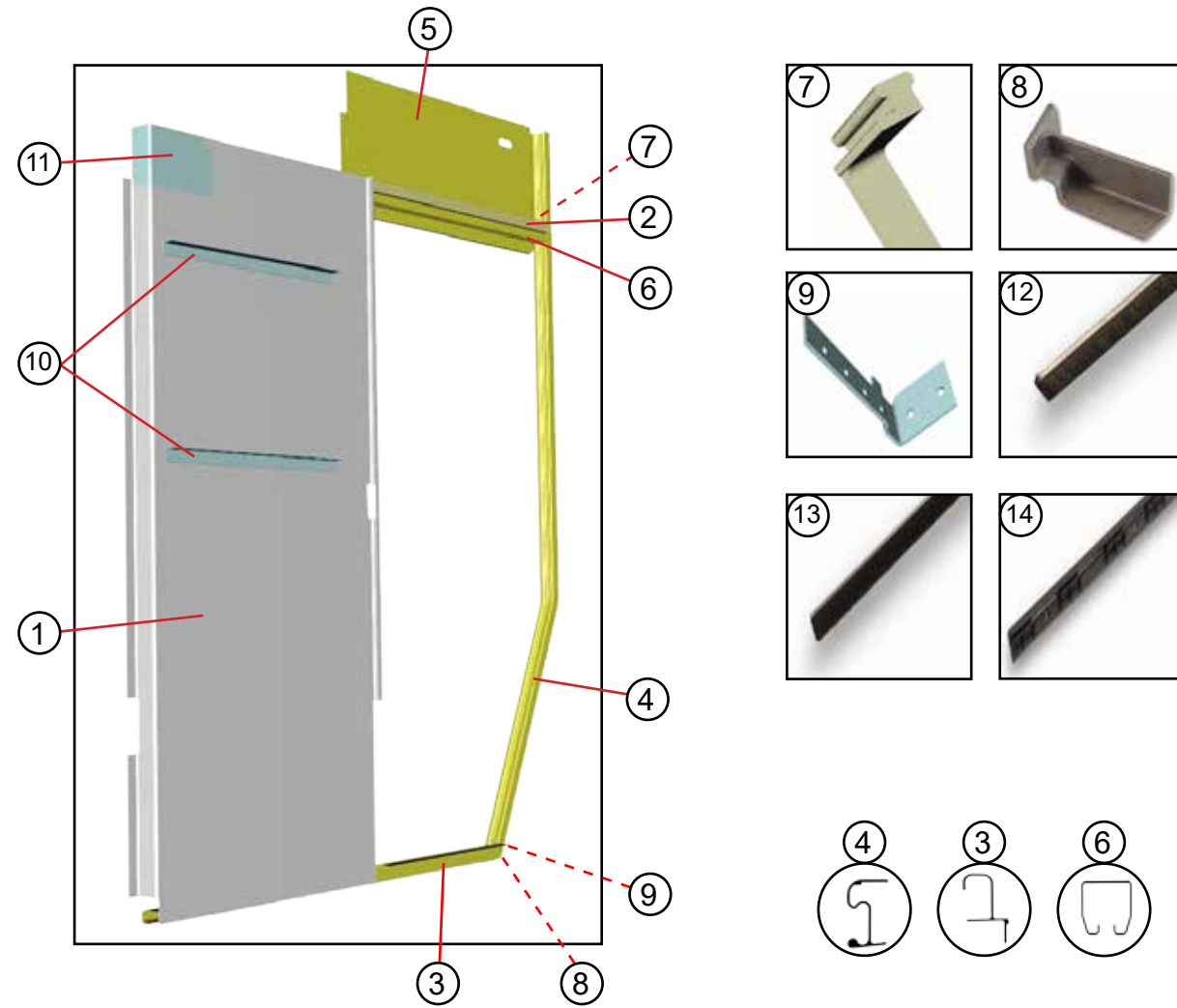


ITEM #	PART #	DESCRIPTION	QTY.	UNIT
1	<a href="#">45100094</a>	STRIKER BRACKET	1	EA
2	<a href="#">96760203</a>	HANGER ASSEMBLY	1	EA
3	<a href="#">47006595</a>	BEARING	4	PR
4	<a href="#">44008050</a>	SEAL BRUSH TYPE B 1X42	1	EA
5	<a href="#">98760220</a>	DOOR ASSEMBLY	1	EA
6	<a href="#">96760316</a>	COVER INNER MECHINISM	1	EA
7	<a href="#">45200206</a>	SPACER ANTI RATTLE D/S NYLON	1	EA
8	<a href="#">13342990002</a>	WINDOW SLIDING LH	1	EA
9	<a href="#">1113016</a>	LOCK MECHINISM	1	EA
10	<a href="#">087181</a>	SPACER DOOR LATCH	1	EA
11	<a href="#">47002766</a>	DOOR GUIDE NYLON	1	EA
12	<a href="#">170060400</a>	STRIKER BRONZE	2	EA
13	<a href="#">45300377</a>	CLIP ANTI RATTLE	2	EA
14	<a href="#">44002011</a>	RUBBER BUMPER	1	EA
15	<a href="#">45100093</a>	STRIKER	1	EA
16	<a href="#">44004104</a>	SEAL DOOR RUBBER FWD	1	EA
17	<a href="#">47000689</a>	HANDLE BLACK ( LOCK CYLINDER - <a href="#">47001181</a> )**	1	EA
18	<a href="#">967110</a>	LATCH SLIDING WINDOW	1	EA
19	<a href="#">967203</a>	STRIKER PLATE - WINDOW LATCH	1	EA
20	<a href="#">198041400</a>	DOOR STEEL STRIKER MOUNT	1	EA

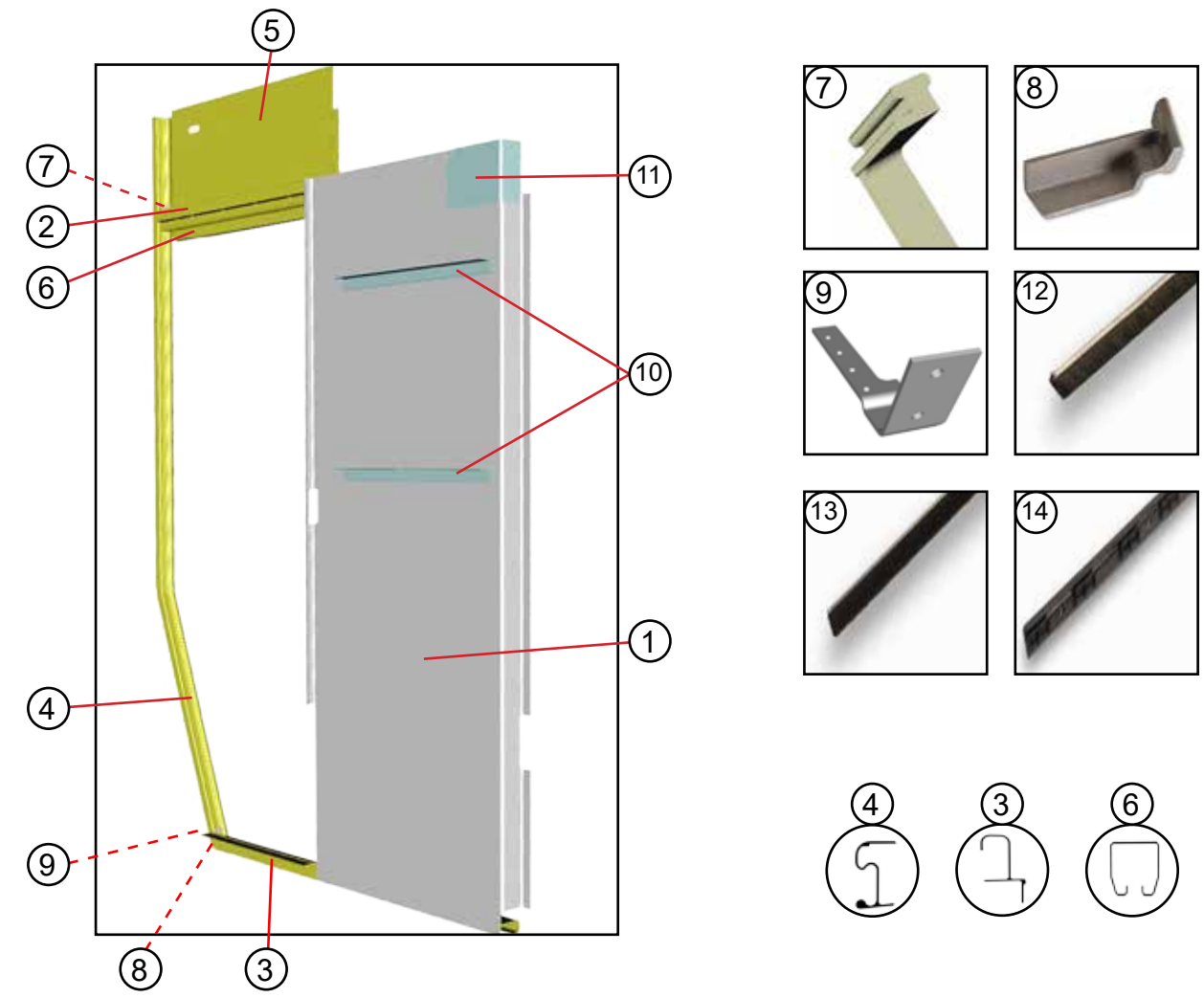
\*\* Lock Cylinder - Call with key number stamped on key or on lock face / or select from available key numbers online.



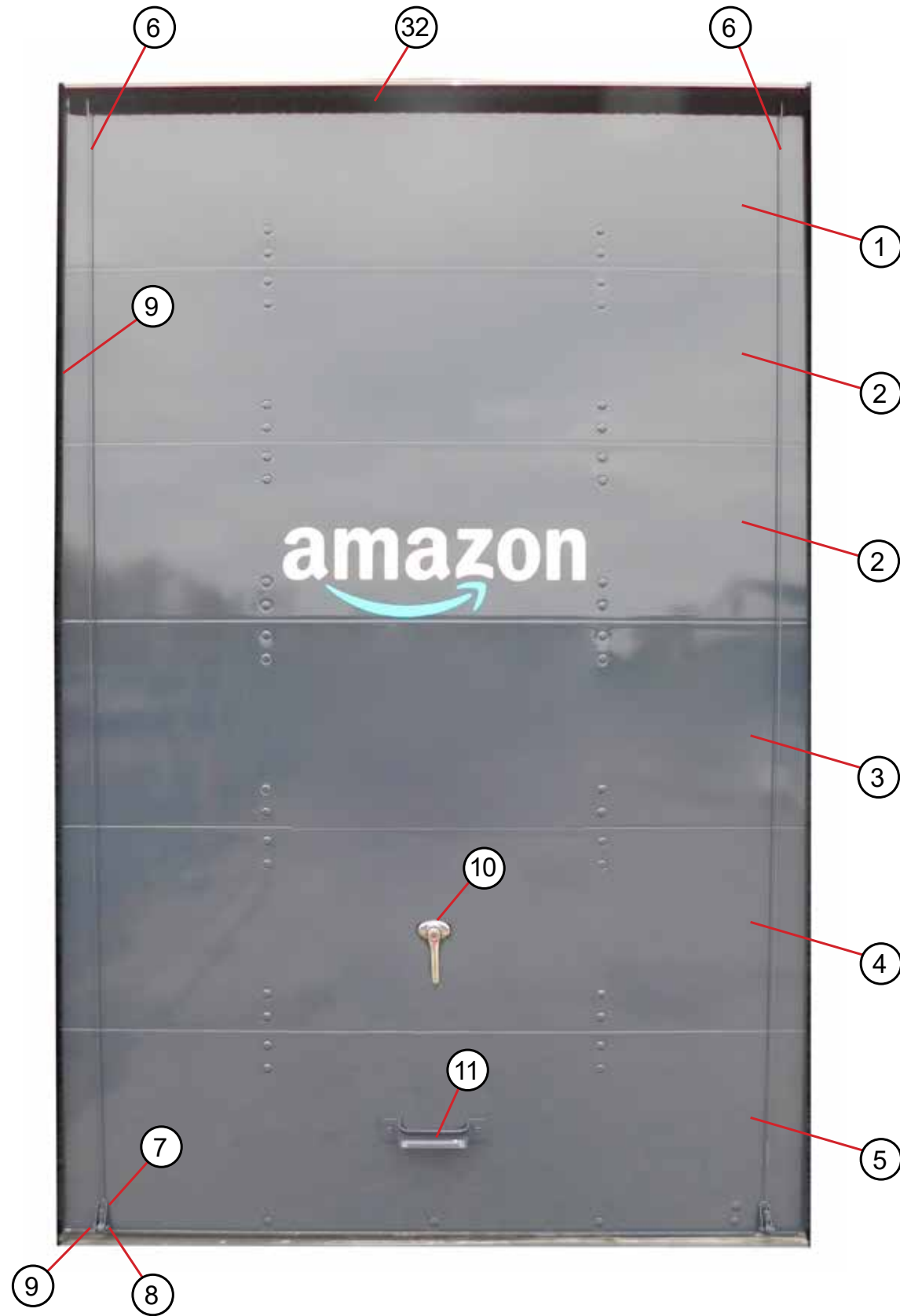
ITEM #	PART #	DESCRIPTION	QTY.	UNIT
1	<a href="#">45100094</a>	BRACKET STRIKER	1	EA
2	<a href="#">96760203</a>	HANGER ASSEMBLY	1	EA
3	<a href="#">47006595</a>	BEARING	4	PR
4	<a href="#">98760221</a>	DOOR ASSEMBLY CURBSIDE	1	EA
5	<a href="#">96760317</a>	COVER INNER MECHINISM	1	EA
6	<a href="#">13342990001</a>	WINDOW SLIDING RH	1	EA
7	<a href="#">1113016</a>	LOCK MECHINISM	1	EA
8	<a href="#">087181</a>	SPACER DOOR LATCH	1	EA
9	<a href="#">44004262</a>	WEATHER STRIPPING FLUSH MOUNT	1	EA
10	<a href="#">1111637</a>	GLASS LOWER	1	EA
11	<a href="#">44004200</a>	FILLER STRIP RUBBER	7.59	FT
12	<a href="#">47002766</a>	DOOR GUIDE NYLON	1	EA
13	<a href="#">45300377</a>	CLIP ANTI RATTLE	2	EA
14	<a href="#">170060400</a>	STRIKER BRONZE	1	EA
15	<a href="#">44002011</a>	RUBBER BUMPER	1	EA
16	<a href="#">45100093</a>	STRIKER	1	EA
17	<a href="#">197041402</a>	DOOR STEEL STRIKER MOUNT	1	EA
18	<a href="#">47000689</a>	HANDLE BLACK ( LOCK CYLINDER - <a href="#">47001181</a> )**	1	EA
19	<a href="#">44004104</a>	SEAL DOOR RUBBER FWD	1	EA
20	<a href="#">45200206</a>	SPACER ANTI RATTLE CLIP NYLON	2	EA
21	<a href="#">44008050</a>	SEAL BRUSH TYPE B	1	EA
22	<a href="#">967110</a>	LATCH - SLIDING WINDOW	1	EA
23	<a href="#">967203</a>	STRIKER PLATE - WINDOW LATCH	1	EA



ITEM #	PART #	DESCRIPTION	QTY.	UNIT
1	<a href="#">197041400</a>	DOOR POCKET PANEL ROADSIDE	1	EA
2	<a href="#">96741302</a>	HEADER CHANNEL ROADSIDE	1	EA
3	<a href="#">157041402</a>	STEP NOSE ROADSIDE	1	EA
4	<a href="#">157041400</a>	DOOR POST ROADSIDE	1	EA
5	<a href="#">157041409</a>	HEADER PANEL ROADSIDE	1	EA
6	<a href="#">96741202</a>	DOOR TRACK ASSEMBLY	1	EA
7	<a href="#">45100048</a>	GUSSET HEADER CHANNEL TO DOOR POST ROADSIDE	1	EA
8	<a href="#">45100104</a>	CASTING DOOR POST LOWER	1	EA
9	<a href="#">001741407</a>	REINFORCEMENT A-POST ROADSIDE	1	EA
10	<a href="#">157041404</a>	ANGLE SHELF SUPPORT	2	EA
11	<a href="#">188041401</a>	COVER DOOR POCKET ROADSIDE	1	EA
12	<a href="#">44008050</a>	SEAL BRUSH TYPE B	1	EA
13	<a href="#">44004060</a>	SEAL BRUSH TYPE C	1	EA
14	<a href="#">47002766</a>	GUIDE DOOR LOWER NYLON MOULDED	1	EA

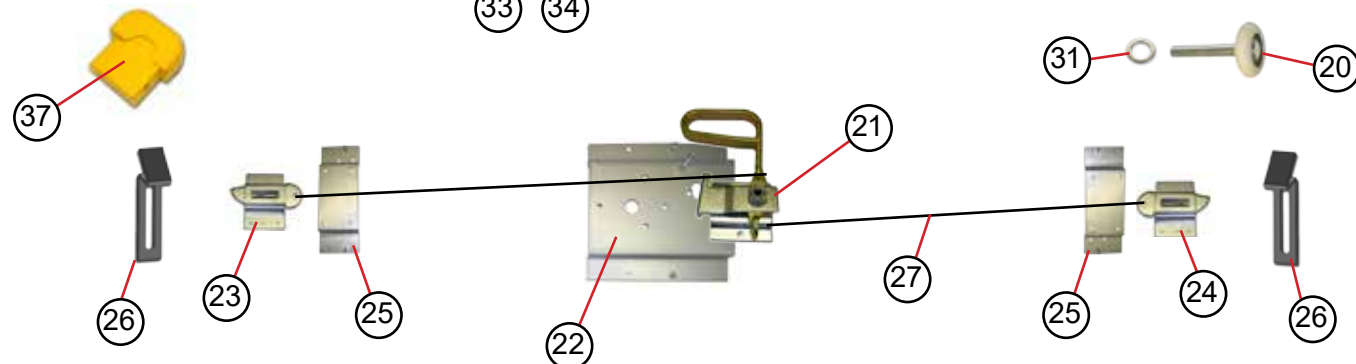


ITEM #	PART #	DESCRIPTION	QTY.	UNIT
1	<a href="#">197041401</a>	PANEL DOOR POCKET CURBSIDE	1	EA
2	<a href="#">96741302</a>	HEADER CHANNEL CURBSIDE	1	EA
3	<a href="#">157041403</a>	STEP NOSE CURBSIDE	1	EA
4	<a href="#">157041401</a>	DOOR POST CURBSIDE	1	EA
5	<a href="#">157041410</a>	HEADER PANEL CURBSIDE	1	EA
6	<a href="#">96741202</a>	DOOR TRACK ASSEMBLY	1	EA
7	<a href="#">45100049</a>	GUSSET HEADER CHANNEL TO DOOR POST RH	1	EA
8	<a href="#">45100105</a>	CASTING DOOR POST CURBSIDE	1	EA
9	<a href="#">001741408</a>	REINFORCEMENT A-POST CURBSIDE	1	EA
10	<a href="#">157041404</a>	ANGLE SHELF SUPPORT	2	EA
11	<a href="#">188041402</a>	COVER DOOR POCKET CURBSIDE	1	EA
12	<a href="#">44008050</a>	SEAL BRUSH TYPE B	1	EA
13	<a href="#">44004060</a>	SEAL BRUSH TYPE C	1	EA
14	<a href="#">47002766</a>	GUIDE DOOR LOWER NYLON MOULDED	1	EA

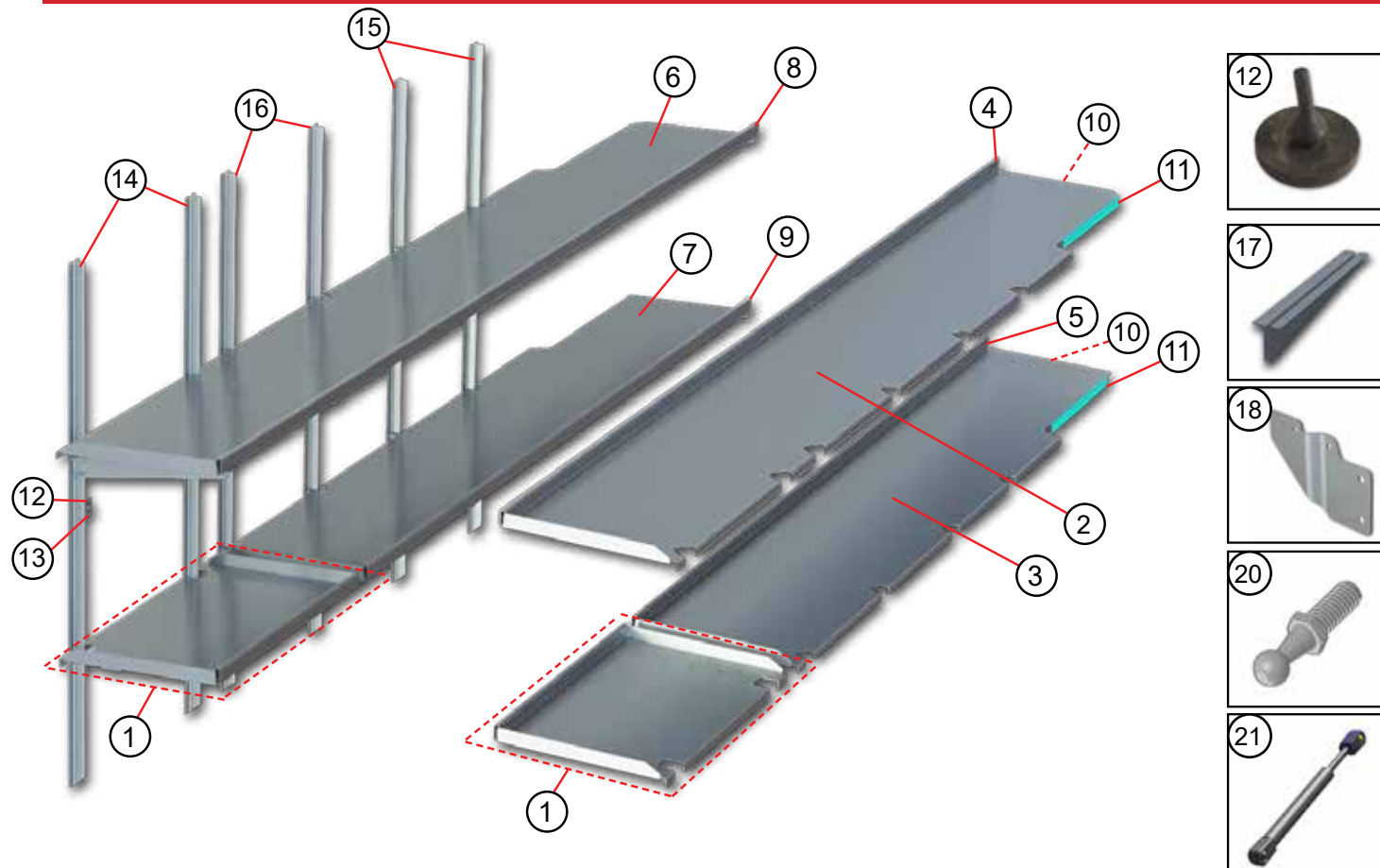


[47106045](#) Transglobal

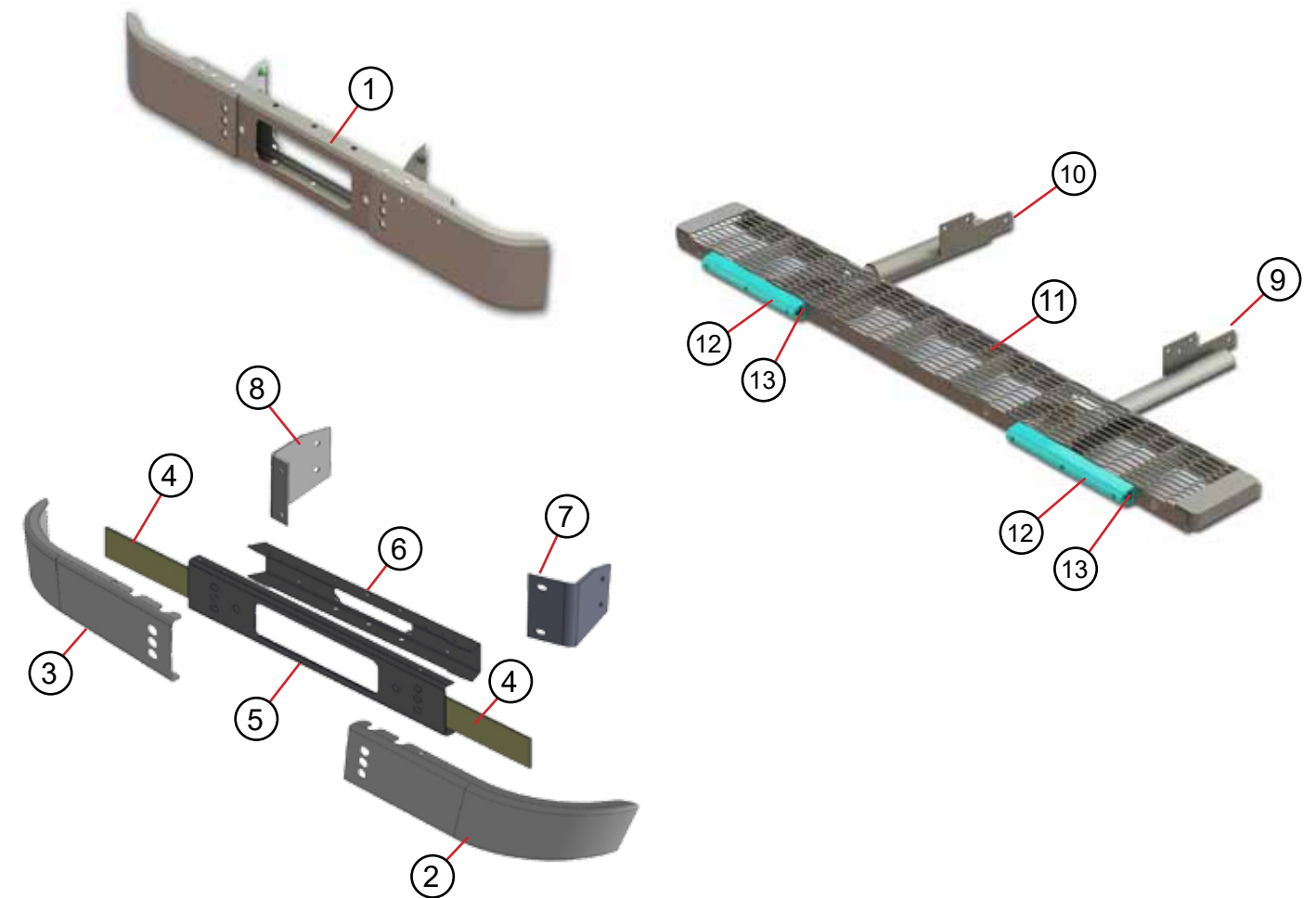
ITEM #	PART #	DESCRIPTION	QTY.	UNIT
1	Pending	.25" Composite Top Panel- Complete- 13.5" x 58.75" w/ Seal	1	EA
2	Pending	.25" Composite Intermediate Panel - 13" x 58.75"	1	EA
3	Pending	.25" Composite Intermediate Panel - 15" x 58.75"	1	EA
4	Pending	.25" Composite 2Pt Lock Panel- Complete 15" x 58.75"	1	EA
5	Pending	.25" Composite Bottom Panel -Complete 15" x 58.75"	1	EA
6	<a href="#">47106772</a>	Cable 110" 7 x 19 SS 1/4 Aluminum Eye (Each)	2	EA
7	<a href="#">47106762</a>	Cable Anchor Bracket	2	EA
8	<a href="#">47106706</a>	Pin - Cable Anchor 1/4" X 1"	2	EA
9	<a href="#">47106719</a>	Cotter Pin 3/32" X 1"	2	EA
10	<a href="#">47106774</a>	L-Handle, Non-keyed	1	EA
11	<a href="#">47106796</a>	Lift Handle - Black (2 5/8" SS)	1	EA
12	<a href="#">47106782</a>	Top Panel Seal Assembly - 58.75	1	EA



ITEM #	PART #	DESCRIPTION	QTY.	UNIT
13	<a href="#">47106710</a>	Top Closure Assembly Complete	2	EA
14	<a href="#">47106711</a>	Top Closure Slide Only	-	EA
15	<a href="#">47106797</a>	End Hinge Assembly - Heavy Duty	10	EA
NS	<a href="#">47106776</a>	End Hinge - Base Only	-	EA
16	<a href="#">47106760</a>	End Hinge - Cover Only - Heavy Duty	-	EA
17	<a href="#">47106731</a>	Center Hinge-Heavy Duty	10	EA
18	<a href="#">47106764</a>	3 Stud Bottom Fixture Assembly -Complete	2	EA
19	<a href="#">47106763</a>	Roller Clamp, 3 hole Roller Clamp for 2" Rollers	-	EA
20	<a href="#">47106833</a>	2" Nylon Roller	14	EA
21	<a href="#">47106891</a>	Center Control Complete w/ D Loop Handle	1	EA
22	<a href="#">47106767</a>	Latch Base Center - .91" Offset, 2" Track	1	EA
23	<a href="#">47106769</a>	Two Point End Latch Assembly- Curbside	1	EA
24	<a href="#">47106770</a>	Two Point End Latch Assembly- Roadside	1	EA
25	<a href="#">47106806</a>	Latch Base - End Latch	2	EA
26	<a href="#">47106740</a>	Lock Catch	2	EA
27	<a href="#">47106761</a>	Cable Assy. 24.75" with (2) Stops & Washer (EACH) 2	2	EA
28	<a href="#">47106768</a>	Aluminum Cable Cover - 58.375" Length - 7.5mm Comp,	1	EA
29	<a href="#">47106773</a>	52" No Loop Strap W/ 1" Sewn Loop - Black Retainer	1	EA
30	<a href="#">47106869</a>	Retainer Only - Black	-	EA
31	<a href="#">47106718</a>	Spacer Washer	16	EA
32	<a href="#">47106686</a>	Header Brush Seal Assembly	1	EA
33		Seal Bottom Edge	1	EA
34		Angle - Bottom Seal Retainer Black 52.75"		
35	<a href="#">47106737</a>	Bearing Assembly	2	EA
36	<a href="#">47106687</a>	Side Seal - Bolt on Style, 85.25" - EA	2	EA
37	<a href="#">47106787</a>	2" Head Protector Yellow	2	EA
38		Vertical Track Assembly - #47106045- Curbside	1	EA
39		Vertical Track Assembly - #47106045- Roadside	1	EA
40		Horizontal Track Assembly- #47106045- Curbside	1	EA
41		Horizontal Track Assembly- #47106045- Roadside	1	EA
NS		Counterbalance Assembly - #47106045	1	EA
43	<a href="#">47106753</a>	Cable Drum LH Roadside	1	EA
44	<a href="#">47106754</a>	Cable Drum RH Curbside	1	EA
45	<a href="#">47106755</a>	Counterbalance Shaft - 68.75"	1	EA
NS	<a href="#">47106794</a>	Bearing Only	2	EA
47		Spring .207 x 2.48 x 30 RH Coated	1	EA
48		Anchor Bracket Center	1	EA
49		RH Anchor Bracket	1	EA
50		LH Anchor Bracket	1	EA
51	<a href="#">47003643</a>	Winding Plug 2-1/2"	1	EA



ITEM #	PART #	DESCRIPTION	QTY.	UNIT
1	<a href="#">190106201</a>	SHELF ASSEMBLY FOLDING LOWER REAR LH/RH	2	EA
2	<a href="#">190105429</a>	SHELF PANEL UPPER AL .07X24.69X183.25 RH	1	EA
3	<a href="#">190105433</a>	SHELF PANEL LOWER AL .07X24.69X139.25 RH	1	EA
4	<a href="#">190105431</a>	SHELF LIP AL 450589X183.25	1	EA
5	<a href="#">190105435</a>	SHELF LIP AL 450589X139.25	1	EA
6	<a href="#">190105428</a>	SHELF PANEL UPPER AL .07X24.69X183.25 LH	1	EA
7	<a href="#">190105432</a>	SHELF PANEL LOWER AL .07X24.69X139.25 LH	1	EA
8	<a href="#">190105430</a>	SHELF LIP AL 450589X183.25	1	EA
9	<a href="#">190105434</a>	SHELF LIP AL 450589X139.25	1	EA
10	<a href="#">160105424</a>	ANGLE SHELF MOUNT AL 450180X19 @ BHD	4	EA
11	<a href="#">160105423</a>	ANGLE SHELF MOUNT AL.102X2.77X26 @ DR PKT	4	EA
12	<a href="#">1107102</a>	PLUG RUBBER BUMPER	4	EA
13	<a href="#">150106410</a>	BRACKET SHELF BUMPER AL .125X2.5X2.73	4	EA
14	<a href="#">190048404</a>	STANSION T-STUD AL 459919 X 70.8 @ FLDG SHELF	4	EA
15	<a href="#">190048405</a>	STANSION T-STUD AL 459919 X 77.94	4	EA
16	<a href="#">190048406</a>	STANSION T-STUD AL 459919 X 70.8	4	EA
17	<a href="#">82782300</a>	BRACKET SHELF ARM AL .125X11.35X23.87	20	EA
18	<a href="#">190105411</a>	BRACKET SHELF STEEL 13GA X5.82X8.53 RH	4	EA
NS	<a href="#">190105412</a>	BRACKET SHELF STEEL LH (OPPOSITE OF 18)	4	EA
20	<a href="#">126106427</a>	BALL STUD	8	EA
21	<a href="#">126106426</a>	GAS SPRING	4	EA

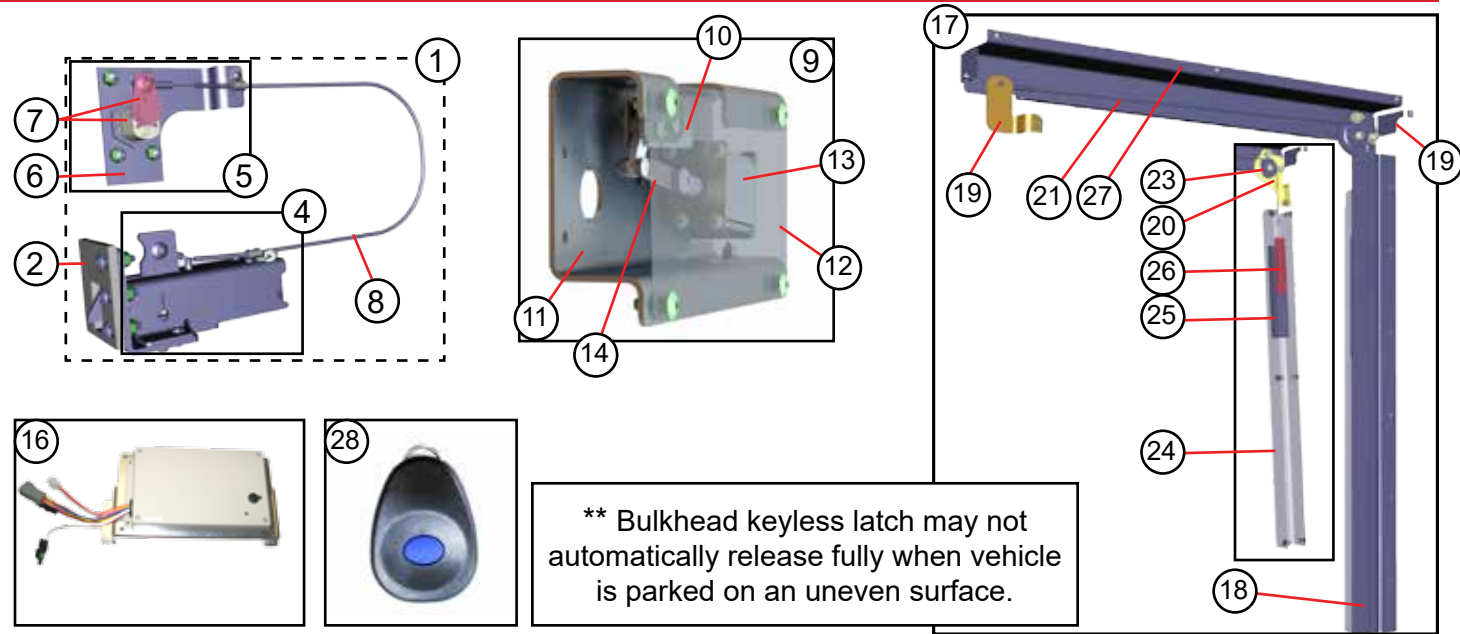


**FRONT BUMPER**

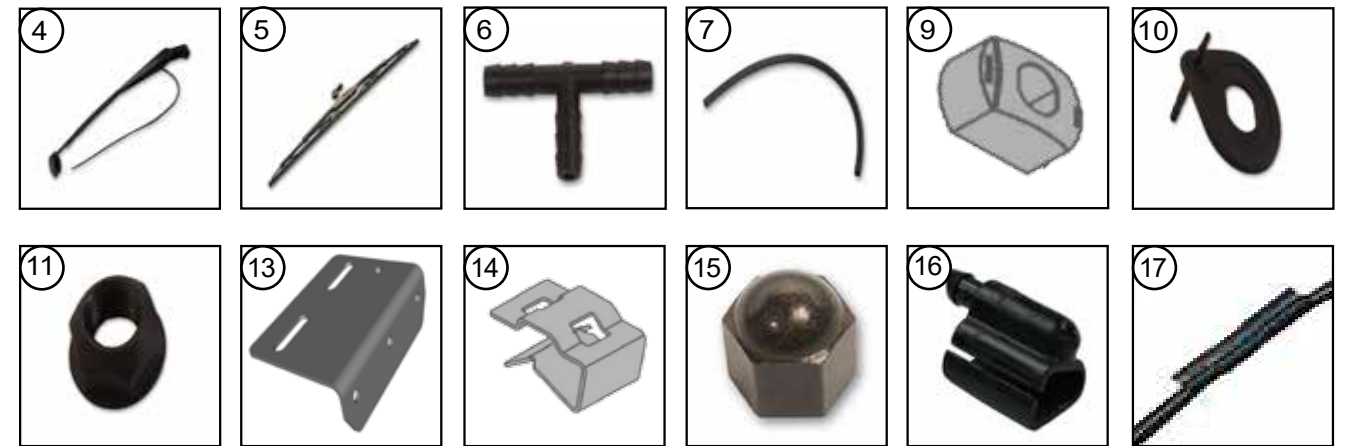
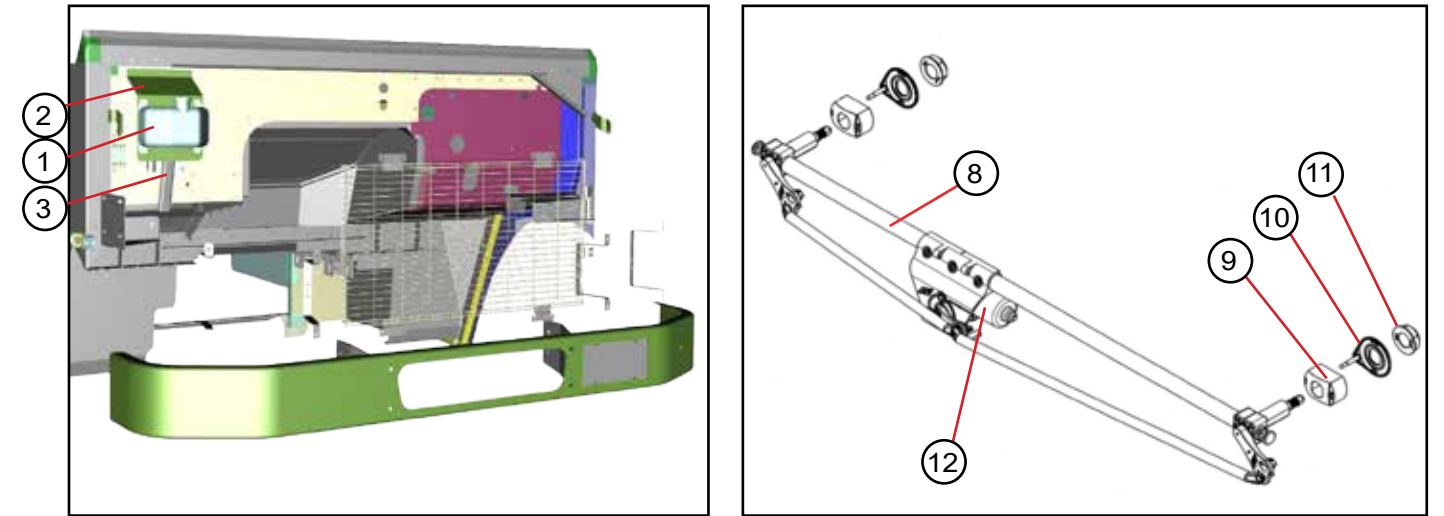
**REAR BUMPER**

ITEM #	PART #	DESCRIPTION	QTY.	UNIT
1	<a href="#">197008000</a>	BUMPER ASSEMBLY - FRONT - SPRING BACK	1	EA
2	<a href="#">197008200</a>	BUMPER CHANNEL OUTER LH WELDMENT 88W	1	EA
3	<a href="#">155008206</a>	BUMPER CHANNEL OUTER RH WELDMENT 88W	1	EA
4	<a href="#">155008417</a>	BUMPER LEAF SPRING FRT STEEL .375X5X22	2	EA
5	<a href="#">167008402</a>	CHANNEL BUMPER STEEL .7GAX11.26X41	1	EA
6	<a href="#">167008401</a>	CHANNEL BUMPER REAR STEEL .25X14.91X55.09	1	EA
7	<a href="#">207008404</a>	BRACKET BUMPER MOUNT STEEL .7X8.12X8.32 LH	1	EA
8	<a href="#">207008405</a>	BRACKET BUMPER MOUNT STEEL .7X8.12X8.32 RH	1	EA
9	<a href="#">157057200</a>	MOUNTING BUMPER SHOCK RH	1	EA
10	<a href="#">157057202</a>	MOUNTING BUMPER SHOCK LH	1	EA
11	<a href="#">197057200</a>	BUMMPER WLDMNT 88W	1	EA
12	<a href="#">197057403</a>	RUBBER PROTECTOR 18"	2	EA
13	<a href="#">197057404</a>	PLATE BACKER FOR RUBBER BUMPER 18"	2	EA

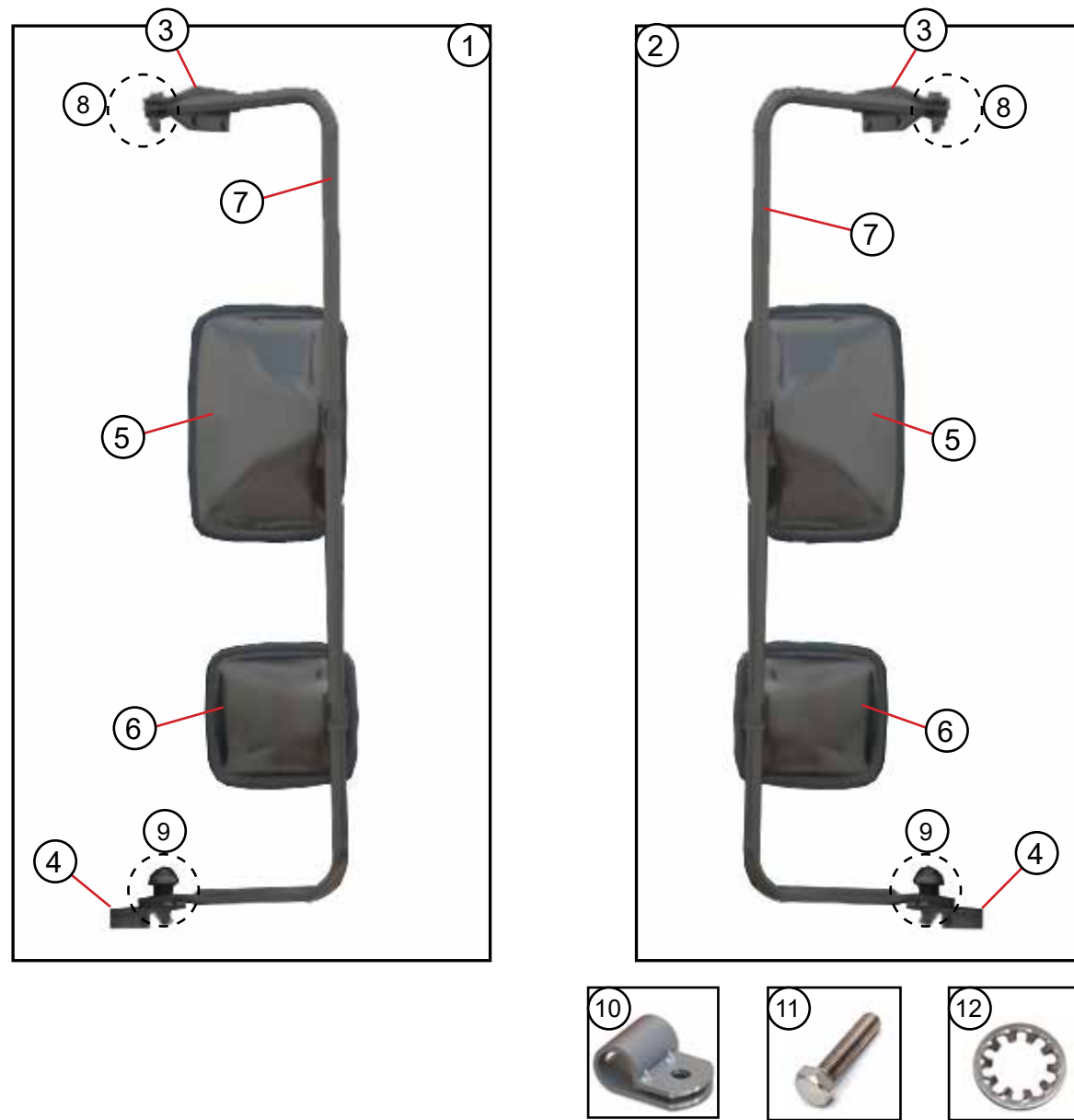




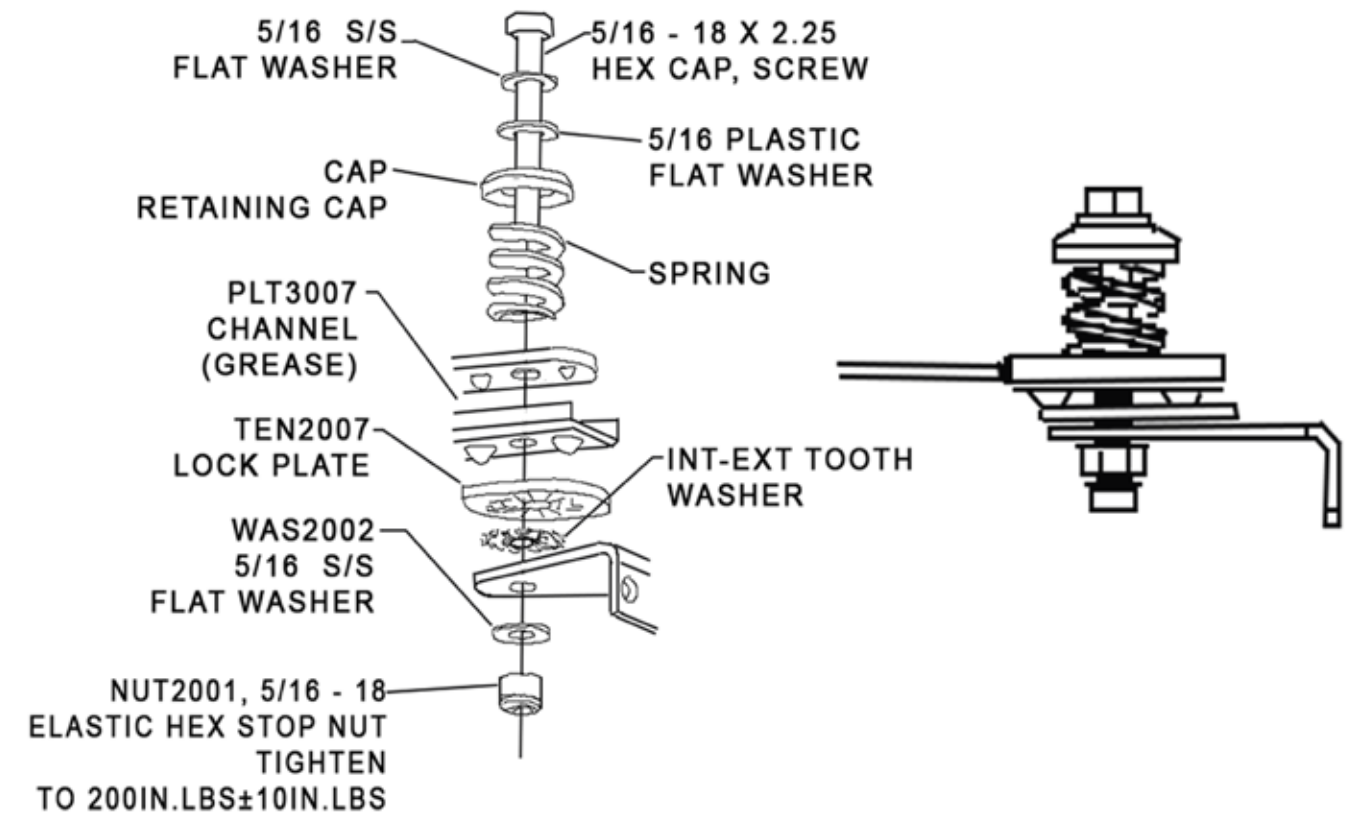
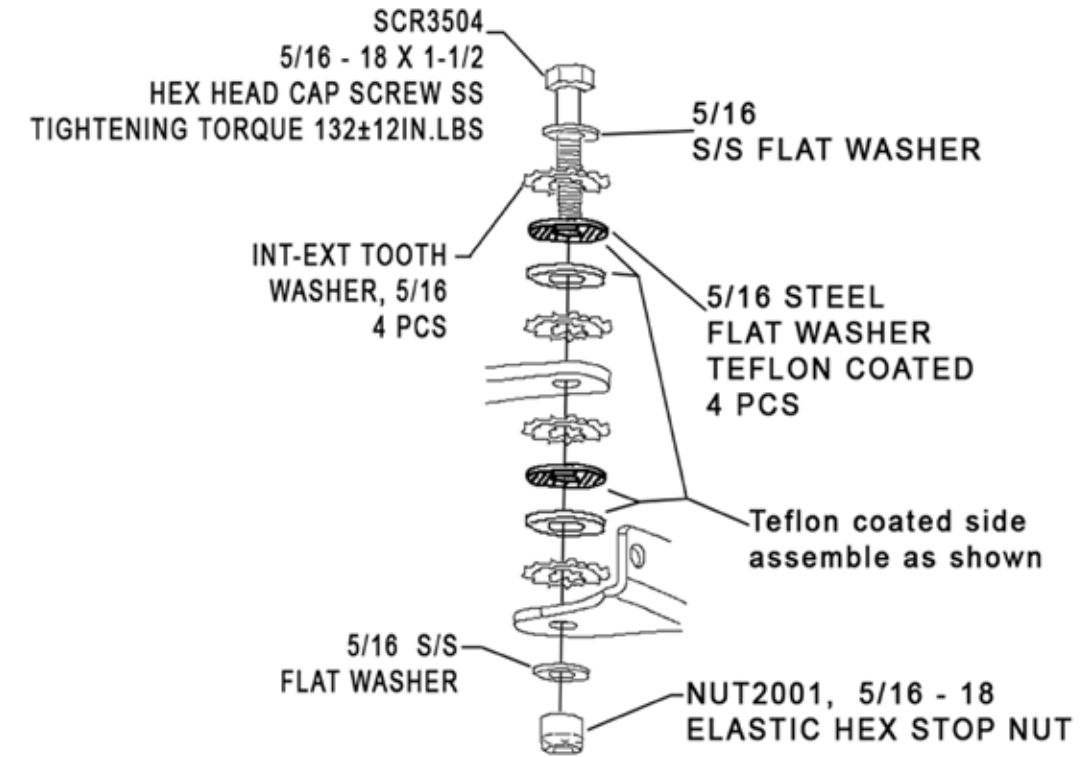
ITEM #	PART #	DESCRIPTION	QTY.	UNIT
1	<a href="#">137147000</a>	LOCK INSTALLATION KEYLESS ROLL UP DOOR	1	EA
2	<a href="#">117050417</a>	SHIM DOOR LOCK AL .25X3X3	1	EA
4	<a href="#">137147200</a>	STRIKER ASSEMBLY	1	EA
5	<a href="#">137147202</a>	LOCK OVER RIDE ASSEMBLY	1	EA
6	<a href="#">137147411</a>	BRACKET BEST LOCK AL .102X3.88X5.47	1	EA
7	<a href="#">137147415</a>	BEST LOCK COVER W/ DUST COVER	1	EA
8	<a href="#">137147414</a>	CABLE PUSH PULL 26 W/2.5 TRAVEL	1	EA
9	<a href="#">197147201</a>	LATCH ASSEMBLY KEYLESS BULKHEAD **	1	EA
10	<a href="#">1113458</a>	LOCK MECHANISM	1	EA
11	<a href="#">197147403</a>	BRACKET BULKHEAD LATCH	1	EA
12	<a href="#">197147404</a>	COVER (LID) - BULKHEAD LATCH	1	EA
13	<a href="#">137147400</a>	SOLENOID KEYLESS 12V (BULKHEAD & REAR DOOR)	2	EA
14	<a href="#">197147405</a>	LINK - SOLENOID TO LOCK	1	EA
NS	<a href="#">197147406</a>	SPACER BULKHEAD LATCH	1	EA
16	<a href="#">47009777</a>	KEYLESS CONTROL MODULE (BRACKET <a href="#">117094400</a> )	1	EA
17	<a href="#">137147002</a>	BULKHEAD DOOR OPENER INSTALLATION	1	EA
18	<a href="#">137147423</a>	STIFFENER SLIDE AL 450595X46	1	EA
19	<a href="#">137147421</a>	PLATE PULLY ANCHOR STL7GAX4.5X4.91	1	EA
NS	<a href="#">137147203</a>	PULLY ASSEMBLY BULKHEAD DOOR OPENER	1	EA
20	<a href="#">137147420</a>	PLATE MOUNTING STEEL 7GA	1	EA
21	<a href="#">137147416</a>	CABLE ASSEMBLY	1	EA
NS	<a href="#">137147418</a>	BEARING THRUST NYLON	1	EA
23	<a href="#">137147417</a>	PULLY 2.5DX2.0IDX.44W W/5 SHF	1	EA
24	<a href="#">137147425</a>	PULLY COVER AL .125X7.93X 43.35	1	EA
25	<a href="#">137147424</a>	BAR WEIGHT STEEL .31 ASTM A36	2	EA
26	<a href="#">137147422</a>	SOLID BAR PLASTIC EXTR 452101X7	1	EA
27	<a href="#">137147427</a>	PULLY CABLE COVER AL .07X8.92X46.66	1	EA
28	<a href="#">46029111</a>	REPLACEMENT KEY FOB	1	EA

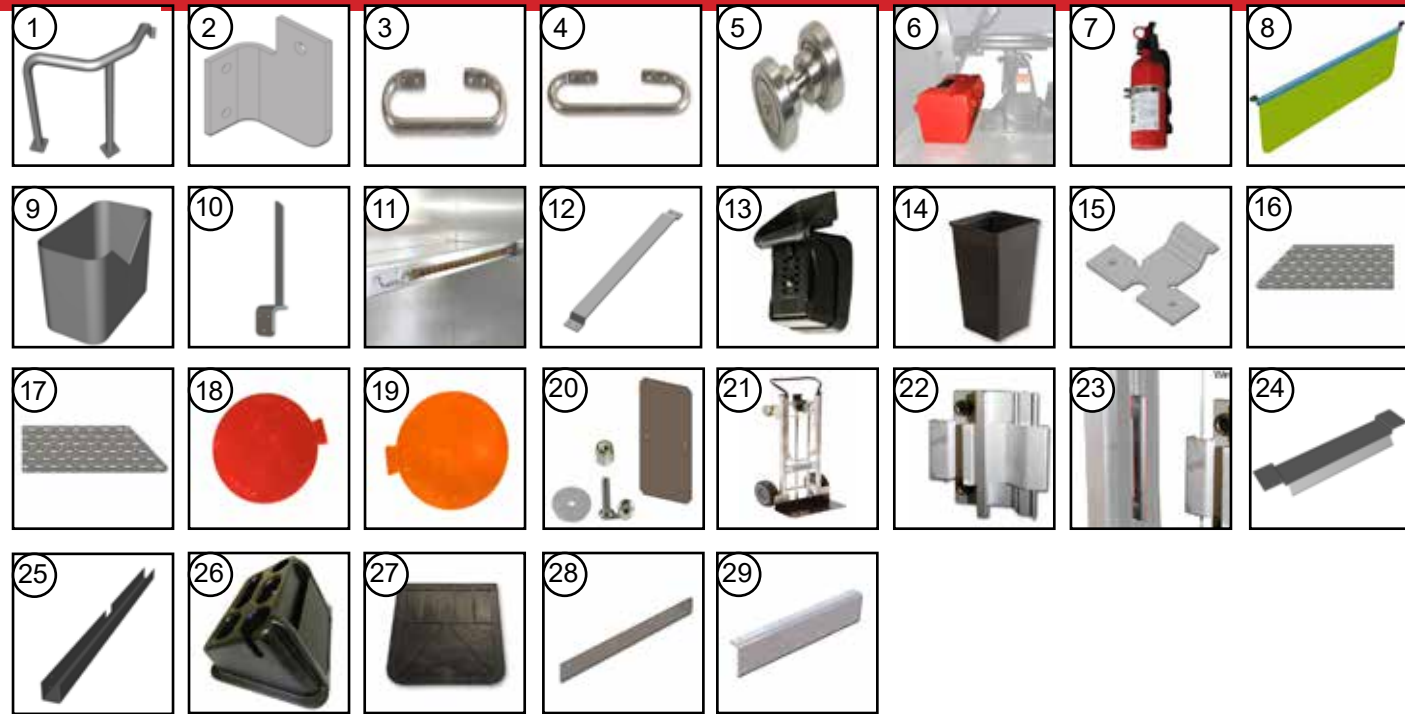


ITEM #	PART #	DESCRIPTION	QTY.	UNIT
1	<a href="#">47004505</a>	WINDSHIELD WASHER RESERVOIR W/PUMP	1	EA
2	<a href="#">117005403</a>	BRACKET RESERVOIR BOTTLE	1	EA
3	<a href="#">117005404</a>	BRACE WINDSHIELD RESERVOIR	1	EA
4	<a href="#">47004205</a>	WIPER WET ARM 20"	2	EA
5	<a href="#">47004134</a>	WIPER BLADE 24"	2	EA
6	<a href="#">1101694</a>	TEE WINDSHIELD WASHER	1	EA
7	<a href="#">1107122</a>	HOSE WINDSHIELD WASHER	12	FT
8	<a href="#">47004187</a>	WIPER SYSTEM TUBULAR 2 PIVOT 86/88W	1	EA
9	<a href="#">47005903</a>	WINDSHIELD WIPER MOTOR SPACER	2	EA
10	<a href="#">47005902</a>	WINDSHIELD WIPER PIVOT COVER	2	EA
11	<a href="#">47005901</a>	NUT-WINDSHIELD WIPER MOTOR	2	EA
12	<a href="#">47005900</a>	WINDSHIELD WIPER MOTOR	1	EA
13	<a href="#">083055454</a>	BRACKET WIPER MOTOR	1	EA
14	<a href="#">46021115</a>	CLIP BODY LARGE PAN	1	EA
15	<a href="#">81600189</a>	ACORN NUT (WIPER PIVOT SHAFT)	2	EA
16	<a href="#">47004271</a>	WET KIT FOR WIPER ARM (SPRAY NOZZLE & HOSE)	2	EA
17	<a href="#">47004272</a>	RETAINING CLIP HOSE	2	EA
NS	<a href="#">46023310</a>	SWITCH WIPER (REPLACEMENT KNOB <a href="#">1114987</a> )	1	EA

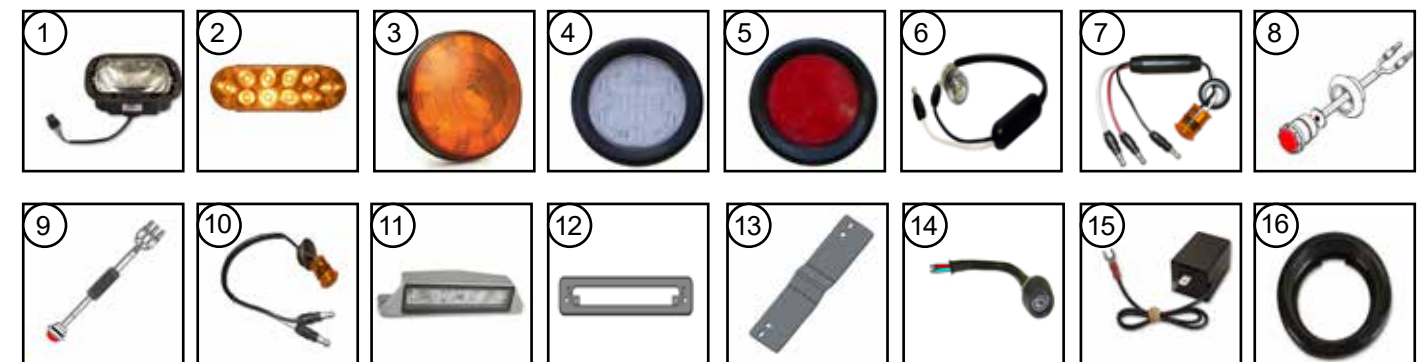


ITEM #	PART #	DESCRIPTION	QTY.	UNIT
1	<a href="#">47005624</a>	MIRROR ASSEMBLY LH (LOOP AND MIRRORS)	1	EA
2	<a href="#">47005625</a>	MIRROR ASSEMBLY RH (LOOP AND MIRRORS)	1	EA
3	<a href="#">47005610</a>	FOOT MOUNTING UPPER	2	EA
4	<a href="#">47005623</a>	FOOT MOUNTING LOWER	2	EA
5	<a href="#">47005551</a>	MIRROR HEAD 10"	2	EA
6	<a href="#">47005550</a>	MIRROR HEAD 6"	2	EA
7	<a href="#">47005552</a>	MIRROR LOOP 35.33"	2	EA
8	<a href="#">47005007</a>	UPPER HARDWARE KIT	2	EA
9	<a href="#">47005069</a>	LOWER SPRING HARDWARE KIT	2	EA
10	<a href="#">47005672</a>	CLAMP (1 PER MIRROR HEAD)	1	EA
11	<a href="#">1117804</a>	BOLT - HEX HEAD BOLT SS 5/16-18 X 1.25 (1 PER MIRROR)	1	EA
12	<a href="#">40000512</a>	LOCK WASHER 5/16	1	EA





ITEM #	PART #	DESCRIPTION	QTY.	UNIT
1	<a href="#">47001042</a>	GRAB HANDLE CAB INTERIOR LH	1	EA
2	<a href="#">107005490</a>	ANGLE ATTATCH GRAB HANDLE	1	EA
3	<a href="#">90187300</a>	GRAB HANDLE .5 DIA X 15.7 (BULKHEAD)	1	EA
4	<a href="#">90187301</a>	GRAB HANDLE .5DIA X 18.87	1	EA
5	<a href="#">47006595</a>	BEARINGS FOR SLIDING DOORS	4	PR
6	<a href="#">47009608</a>	REFLECTOR KIT TRIANGLES	1	EA
7	<a href="#">47009660</a>	FIRE EXTINGUISHER	1	EA
8	<a href="#">47005645</a>	SUN VISOR 30X8 SINGLE PIVOT	2	EA
9	<a href="#">117024400</a>	BATTERY SHIELD 45200014X13.25X49	1	EA
10	<a href="#">197124200</a>	BAG HOLDER BRACKET	1	EA
11	<a href="#">47006146</a>	STRAP HAND CART	1	EA
12	<a href="#">165127401</a>	CATCH HAND CART STL 7GA X 2 X 23.49	1	EA
13	<a href="#">47009747</a>	LOCK BOX PUSH BUTTON WITH COVER	1	EA
14	<a href="#">45200051</a>	TRASH BIN	1	EA
15	<a href="#">107024426</a>	CLIP TRASH BIN RETAINER	1	EA
16	<a href="#">087190405</a>	TOEBOARD OVERLAY CURBSIDE	1	EA
17	<a href="#">197190400</a>	TOEBOARD OVERLAY ROADSIDE	1	EA
18	<a href="#">46025017</a>	REFLECTOR 2.88" RED	4	EA
19	<a href="#">46025018</a>	REFLECTOR 2.88" AMBER	2	EA
20	<a href="#">097017001</a>	KIT AIR INTAKE GUARD (OPTIONAL)	-	EA
21	<a href="#">47112612</a>	HAND CART 2 in 1	1	EA
22	<a href="#">967110</a>	LATCH SLIDING WINDOW	2	EA
23	<a href="#">967203</a>	STRIKER PLATE SLIDING WINDOW	2	EA
24	<a href="#">117032401</a>	HEAT SHIELD AL .07X3.75X5.12	1	EA
25	<a href="#">127050404</a>	CHANNEL WIRE COVER AL .07X9.98X66.14	1	EA
26	<a href="#">47009653</a>	CENTER CONSOLE W/ CLIPBOARD HOLDER	1	EA
27	<a href="#">1107308</a>	MUD FLAP	1	RP
28	<a href="#">7504428</a>	RETAINER MUD FLAPS	2	EA
29	<a href="#">80795014</a>	ANGLE RETAINER MUD FLAPS	2	EA



ITEM #	PART #	DESCRIPTION	QTY.	UNIT
1	<a href="#">46000213</a>	HEADLAMP	2	EA
2	<a href="#">46027653</a>	LAMP TURN SIGNAL LED (OVAL GROMMET <a href="#">46027708</a> )	2	EA
3	<a href="#">46001392</a>	LAMP PARK TURN LED	2	EA
4	<a href="#">46001447</a>	LAMP BACK UP LED (SHOWN WITH GROMMET)	2	EA
5	<a href="#">46002266</a>	LAMP COMBO STOP/TAIL (SHOWN WITH GROMMET)	4	EA
6	<a href="#">46002427</a>	LAMP STEPWELL LED	2	EA
7	<a href="#">46001382</a>	LAMP CLEARANCE MARKER AMBER LED 3 WIRE	6	EA
8	<a href="#">46001388</a>	LAMP CLEARANCE MARKER RED LED (2 WIRE)	4	EA
9	<a href="#">46001389</a>	LAMP CLEARANCE MARKER RED LED (3 WIRE)	3	EA
10	<a href="#">46001390</a>	LAMP CLEARANCE MARKER AMBER LED (2 WIRE)	7	EA
11	<a href="#">46002674</a>	LAMP WORK SURFACE (LAMP GUARD - )	1	EA
12	<a href="#">46001394</a>	SPACER FOR WORK LAMP	1	EA
13	<a href="#">167081400</a>	GUARD WORK LAMP	1	EA
14	<a href="#">46003017</a>	LAMP INTERMITANT WIPER	1	EA
15	<a href="#">46026380</a>	FLASHER FOR TTL LED	1	EA
16	<a href="#">46004443</a>	GROMMET 4"	6	EA
NS	<a href="#">46024539</a>	BACK UP ALARM		



ITEM #	PART #	DESCRIPTION	QTY.	UNIT
1	<a href="#">46023310</a>	SWITCH WIPER (REPLACEMENT KNOB <a href="#">1114987</a> )	1	EA
2	<a href="#">46023508</a>	SWITCH ROCKER CAB DOME SPST ON-OFF	1	EA
3	<a href="#">46023604</a>	SWITCH ROCKER REAR CARGO DOME LAMP SPDT ON-ON	1	EA
3	<a href="#">46023603</a>	SWITCH ROCKER FRONT CARGO DOME LAMP SPDT ON-ON	1	EA
4	<a href="#">46023521</a>	SWITCH ENGINE START STOP	1	EA
5	<a href="#">46023613</a>	SWITCH ACTUATOR ONLY WORK LAMP	1	EA
6	<a href="#">46023611</a>	SWITCH BASE WORK LAMP	1	EA
7	<a href="#">46025305</a>	SWITCH MAGNETIC REED OPEN LOOP	1	EA
8	<a href="#">46002633</a>	LAMP DOME RECESSED 18" LED MOTION DET	3	EA
9	<a href="#">100092401</a>	BRACKET DOME LAMP CARGO	3	EA
10	<a href="#">46002676</a>	LAMP DOME RECESSED LED	1	EA
11	<a href="#">187092400</a>	BRACKET DOME LAMP CAB	1	EA
12	<a href="#">100091400</a>	BRACKET DOME LAMP (ALTERNATE VERSION)	-	EA
13	<a href="#">46022030</a>	CIRCUIT BREAKER 5 AMP (20 AMP - 46022020)	2	EA
14	<a href="#">46024574</a>	REAR BACKUP SENSOR KIT (BRACKET 197050411)	1	EA
15	<a href="#">46030011</a>	FAN 2 SPEED 270 CFM	1	EA
16	<a href="#">46029061</a>	SWITCH ROCKER DASH FAN SPDT ON-OFF-ON	1	EA
17	<a href="#">46026378</a>	RECEPTACLE 12V POWER	1	EA
18	<a href="#">46032343</a>	5 MIN TIMER 10A (TIMER 10 MINUTE - 46032341)	1	EA
19	<a href="#">177081401</a>	PLATE MOUNTING FOR TIMER	1	EA
20	<a href="#">48200209</a>	MONITOR 7" H/D	1	EA
21	<a href="#">48200143</a>	MOUNTING BRACKET FOR MONITOR	1	EA
22	<a href="#">46002430</a>	LAMP LICENSE PLATE LED	1	EA
23	<a href="#">147052403</a>	BRACKET LICENSE PLATE LAMP	1	EA
24	<a href="#">46029111</a>	REPLACEMENT KEY FOB	1	EA
25	<a href="#">48200219</a>	LABEL GEOTAB	1	EA
26	<a href="#">48200215</a>	USB CABLE GEOTAB	1	EA
27	<a href="#">48200216</a>	USB PORT DASH MOUNT	1	EA

PAGE#	PART#	DESCRIPTION	QTY.	UNIT
47	<a href="#">098085201</a>	HARNESS HOOD FCCC AL HD	1	EA
48	<a href="#">117067201</a>	HARNESS SEAT SENSOR WRG GEOTAB UPS	1	EA
49	<a href="#">131493205</a>	HARNESS KEYLESS CONTROL MODULE W/GND	1	EA
50	<a href="#">157063200</a>	HARNESS PIGTAIL PUMP - WINDOW WASHER	1	EA
51-57	<a href="#">197084200</a>	HARNESS INSTRUMENT PANEL FCC W/KYLS	1	EA
58-59	<a href="#">197086200</a>	HARNESS REAR P80 LED W/WORK LAMP	1	EA
60	<a href="#">197088200</a>	HARNESS MID/BODY MARKER/TURN	1	EA
61	<a href="#">197091200</a>	HARNESS ROOF TO NOSE P80 2019	1	EA
62	<a href="#">197092200</a>	HARNESS JUMPER MAGNETIC SW	1	EA
63	<a href="#">197092201</a>	HARNESS JUMPER STEP WELL LAMP	1	EA
64-65	<a href="#">197093200</a>	HARNESS ROOF P80 W/KYLS	1	EA
66	<a href="#">46010675</a>	HARNESS JUMPER 3IN Y 1W	1	EA
NS	<a href="#">207084206</a>	HARNESS HEATED SEAT TRIGGER	1	EA
NS	<a href="#">207084207</a>	HARNESS HEATED SEAT POWER		

**CABLES**

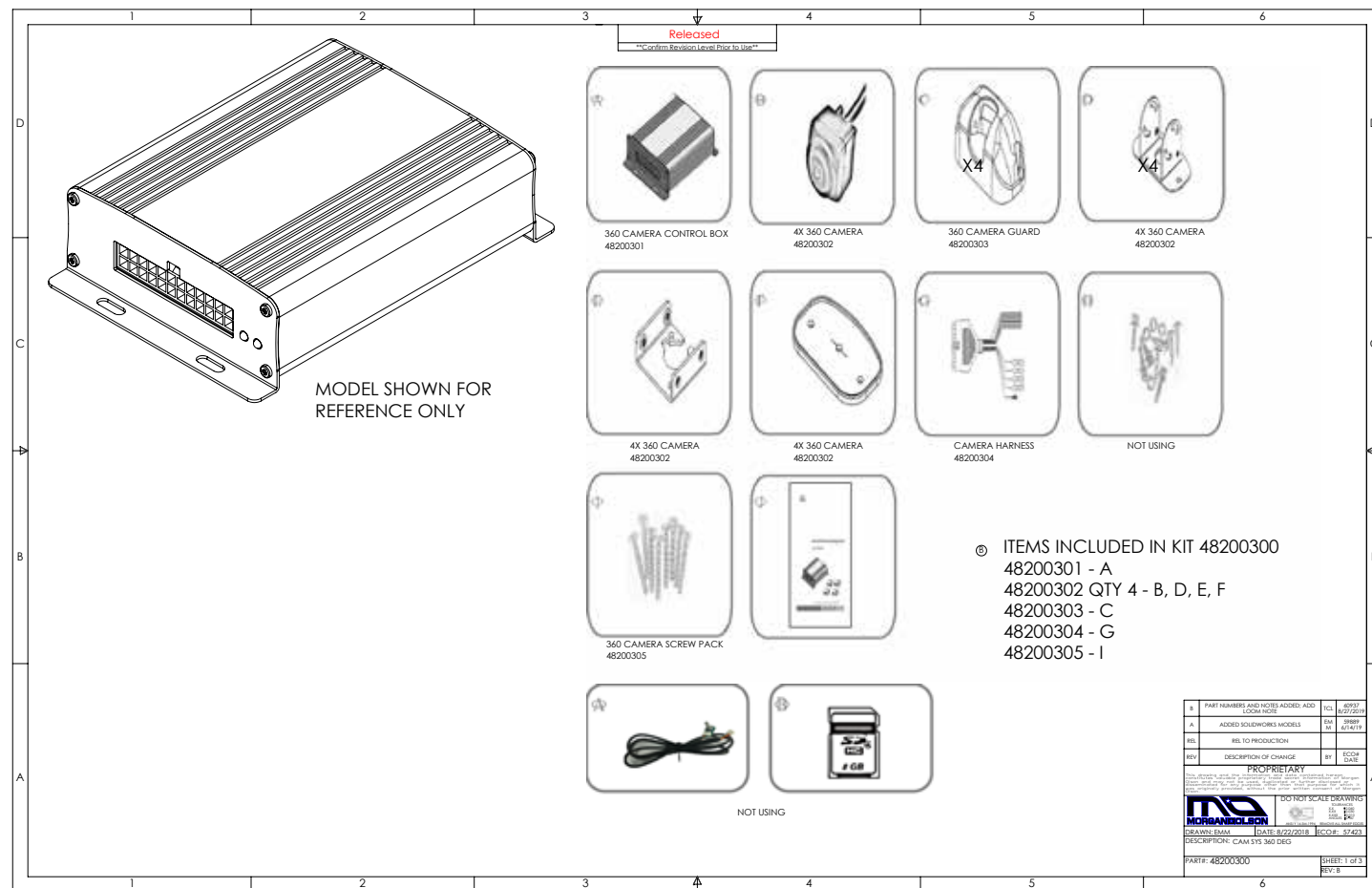
67	Reference	*CABLE USB MICRO B 1M	1	EA
67	Reference	*CABLE USB TYP A F TO M	1	EA
67	<a href="#">48200137</a>	CABLE - CAMERA TO MON X15FT	2	EA
67	<a href="#">48200183</a>	CABLE - CAMERA TO MONITOR X3FT	2	EA
67	<a href="#">48200092</a>	CABLE - CAMERA TO MONITOR X34FT	1	EA
67	<a href="#">48200204</a>	CABLE - CAMERA TO MON X10FT	1	EA

ASA Version 1 - Installation # 182079002

This system was used until 3/16/2020 - after this date, see Version 2  
 Bill of Material# (JV002582, JV002585, JV002714, JV002731, JV002779, JV002973)

Identify your 360° camera system by comparing the control module to the images in this catalog.  
 All four systems use a different module

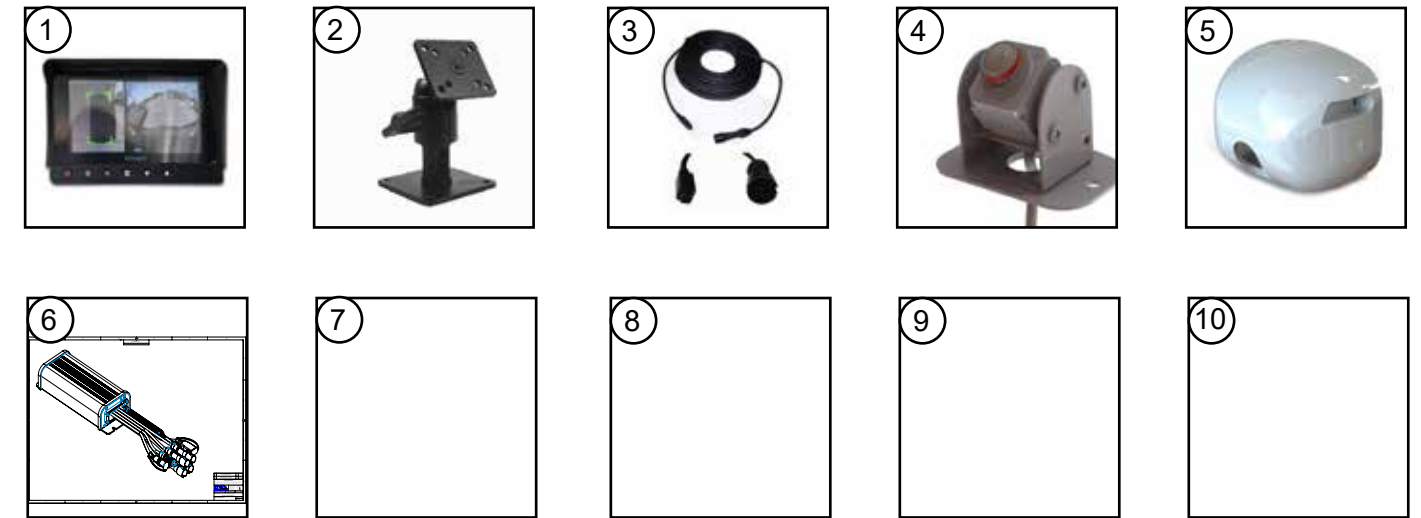
NOTE\* This system does not breakdown into individual components and must be completely replaced with a version 2 system.



ASA Version 2 - Installation # 202079001

This system was used after 3/16/2020  
 Bill of Material# (JV002585, JV002714, JV002731, JV002905, JV002973, JV003013)

Identify your 360° camera system by comparing the control module to the images in this catalog.  
 All four systems use a different module



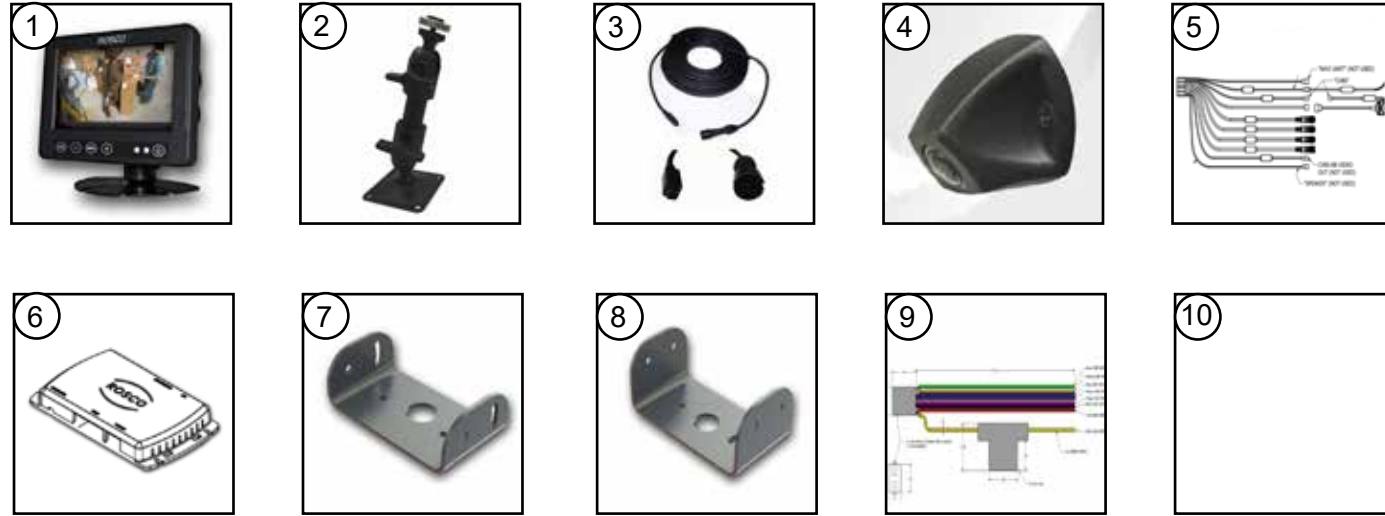
ITEM #	PART #	DESCRIPTION	QTY.	UNIT
1	<a href="#">48200209</a>	MONITOR 7" B&W HD	1	EA
2	<a href="#">48200143</a>	MONITOR MOUNT	1	EA
3	<a href="#">48200204</a>	CABLE - CAMERA TO MONITOR 10FT	1	EA
3	<a href="#">48200137</a>	CABLE - CAMERA TO MONITOR 15FT	2	EA
3	<a href="#">48200092</a>	CABLE - CAMERA TO MONITOR 34FT	1	EA
3	<a href="#">48200183</a>	CABLE - JUMPER 3FT	2	EA
4	<a href="#">48200325</a>	CAMERA	4	EA
5	<a href="#">48200326</a>	CAMERA HOUSING (PAINTED TO MATCH)	4	EA
6	<a href="#">48200324</a>	CONTROL MODULE	1	EA
7				
8				

Rosco Version 1 - Installation # 202079000

This system was used until 2/14/2020 - after this date, see version 2

Bills of Material#; JV002905 & JV003013

Identify your 360° camera system by comparing the control module to the images in this catalog.  
All four systems use a different module

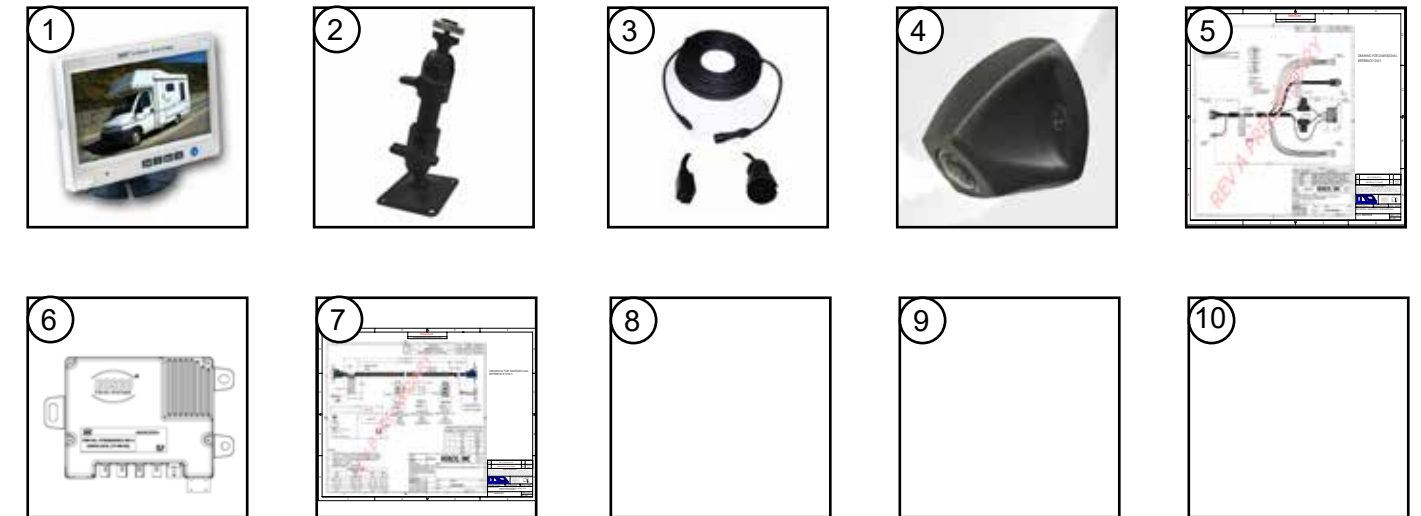


ITEM #	PART #	DESCRIPTION	QTY.	UNIT
1	<a href="#">48200319</a>	MONITOR ROSCO	1	EA
2	<a href="#">48200313</a>	MONITOR MOUNT	1	EA
3	<a href="#">48200318</a>	CABLE CAMERA 5M ROSCO	3	EA
3	<a href="#">48200309</a>	CABLE CAMERA 9M ROSCO	1	EA
4	<a href="#">48200317</a>	CAMERA 360 ROSCO	4	EA
5	<a href="#">48200312</a>	HARNESS 360 CAMERA ROSCO	1	EA
6	<a href="#">48200308</a>	CONTROL MODULE 360 ROSCO	1	EA
7	<a href="#">202079400</a>	BRACKET CAMERA AL .102X2.13X5.93	1	EA
8	<a href="#">202079401</a>	BRACKET CAMERA AL .102X2.13X7.18	1	EA
9	<a href="#">202079204</a>	HARNESS ASSEMBLY ROSCO	1	EA
10				

Rosco Version 2 - Installation # 202079003

This system will be used beginning in 2021

Identify your 360° camera system by comparing the control module to the images in this catalog.  
All four systems use a different module



ITEM #	PART #	DESCRIPTION	QTY.	UNIT
1	<a href="#">48200328</a>	MONITOR ROSCO	1	EA
2	<a href="#">48200313</a>	MONITOR MOUNT	1	EA
3	<a href="#">48200335</a>	CABLE CAMERA 5M L ROSCO	1	EA
3	<a href="#">48200336</a>	CABLE CAMERA 5M R ROSCO	1	EA
3	<a href="#">48200333</a>	CABLE CAMERA 5M H ROSCO	1	EA
3	<a href="#">48200332</a>	CABLE CAMERA 9M REAR ROSCO	1	EA
4	<a href="#">48200327</a>	CAMERA 360 ROSCO	4	EA
5	<a href="#">48200334</a>	HARNESS 360 VID ROSCO	1	EA
6	<a href="#">48200331</a>	CONTROL MODULE 360 ROSCO	1	EA
7	<a href="#">48200329</a>	HARNESS ASSEMBLY ROSCO	1	EA
8				



	Length											
	Diameter	Fig.	.5	.625	.75	.875	1"	1-1/4"	1-1/2"	2-1/4"	3"	
<b>18-8 Stainless</b>												
PHILLIPS TRUSS M/S 18-8 SS	8 - 32	1	1117716									
PHILLIPS TRUSS M/S 18-8 SS	10 - 24	1	1117800	40300498			40300451	1117835				
PHILLIPS TRUSS M/S 18-8 SS	1/4 - 20	1		1117784				40300453	40300454			
PHILLIPS TRUSS M/S 18-8 SS	5/16 - 18	1		1117928								
PHILLIPS FLAT M/S 18-8 SS	10 - 32	2					1117830					
PHILLIPS FLAT M/S 18-8 SS	1/4 - 20	2		40300809			1117782			40300630	40300631	
PHILLIPS ROUND M/S 18-8 SS	10 - 24	6		1117209								
6 LOBE PAN T/C M/S 18-8 SS	1/4 - 20	9					1117815					
<b>Standard Steel RoHS</b>												
PHILLIPS ROUND M/S ZC/ROHS	8 - 32	6						1117839				
PHILLIPS PAN TEKS/3 ZC/ROHS	10 - 16	5		1117674								1117793
PHILLIPS TRUSS M/S ZC/ROHS	10 - 24	1										
PHILLIPS TRUSS M/S ZC/ROHS	10 - 32	1	1117723	1117688			1117715					
<b>T/C - Thread Cutting</b>												
PHIL PAN T/S TYPE A ZC	10	8					1117680					
PHIL TRUSS T/S TYPE A BLK	10	4					40300101					
PHIL PAN T/S TYPE A BLK	10	7					40300503					
PHIL PAN T/S TYPE A ZC	12	8		1117666								
6 LOBE PAN T/C	1/4 - 20	9		1117668			40300922		1117684			40300042



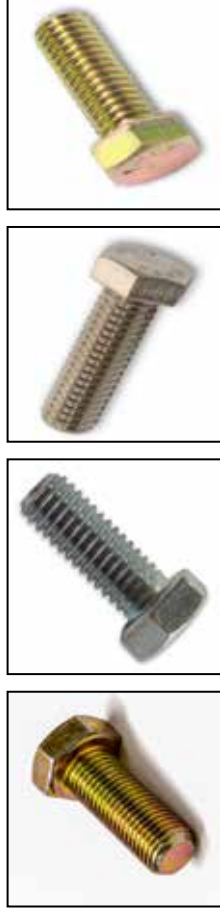
T/C Thread Cutting 6 Lobe Type A  
Genuine OEM Parts

1.800.233.4823

www.morganolsonparts.com

44

**HEX CAP SCREWS**



Size	Description	Thread	Lengths													
			.62	3/4"	1"	1-1/4"	1-1/2"	1-3/4"	2"	2-1/2"	3"	3-1/4"	4"			
1/4" Hex Cap Screw	GR5 ZC/RO	20					1117009									
1/4" Hex Cap Screw	GR5 ZC/RoHS	20			1101688					1117818						
1/4" Hex Cap Screw	18-8 Stainless	20		1117816		1117010										
1/4" Hex Cap Screw	ASTM F593C	20			1117819											
5/16" Hex Cap Screw	18-8 Stainless	18				1117804										
5/16" Hex Cap Screw	GR8 ZC/Y	18			1117045											40300737
5/16" Hex Cap Screw	ASTM F593	18			1117803		1117059									
5/16" Hex Cap Screw	GR5 ZC/R	16				1117837										
3/8" Hex Cap Screw	GR8 ZC/Y	18				1117049	1117055									
3/8" Hex Cap Screw	GR8 ZC/Y	16			1117843											
3/8" Hex Cap Screw	GR5 ZC/RO	16			47012646					1117097	051166			1117000		
3/8" Hex Cap Screw	GR5 ZC/RoHS	16	40300056	40300054						40300058	05125	1117040		1117040	05128	
3/8" Hex Cap Screw	ASTM F593C	16					1117805			1117052						
7/16" Hex Cap Screw	GR8 ZC/Y	20					1217000									
1/2" Hex Cap Screw	GR5 ZC/RoHS	13														1117035
1/2" Hex Cap Screw	GR5 ZC/RO	13				1117121						1117050	1117051			
1/2" Hex Cap Screw	GR5 ZC/RoHS	13								1117043	1117124	1117051				
1/2" Hex Cap Screw	GR5 ZC	13					1117036									
5/8" Hex Cap Screw	GR5	11														40300259

	<b>Grade 8</b> Medium Carbon Alloy Steel
	<b>Grade 5</b> Medium Carbon Steel
	<b>Grade 2</b> Low or Medium Carbon Steel

ZC	Zinc Coated
ZP	Zinc Plated
Y	Yellow
GR	Grade
RoHS	AS9100C ISO 9001:2008
ASTM F593C	American Standards Measurements Specifications

Genuine OEM Parts

1.800.233.4823

www.morganolsonparts.com

45



ZP - ZINC PLATED

Standard	Thread	FIG.	DIA.								
			#8	#10	1/4"	5/16	3/8"	.44	1/2"		
NYLON LOCKING NUT, HEX	32	1		052266							
NYLON LOCKING NUT, HEX	24	1		40301303							
NYLON LOCKING NUT, HEX ZP	24	3		1117307							
NYLON LOCKING NUT, HEX ZP	20	3			1117310						
NYLON LOCKING NUT, HEX ZP	18	3				1117838					
NYLON LOCKING NUT, HEX ZP	16	3					1117344				
LOCKING NUT HEX FLANGE .44-20 OVAL	20	4							1217003		
NUTSERT EXPANDING NYL .275 SQ	20	5		40900006							
NUT NON LOCKING	24	2		1117303							
NUT NON LOCKING	20	2			1117312						
NUT NON LOCKING	16	2						1117316			
<b>GRADE 5</b>											
NUT STL LK LRG FLG GD5 .31-18	18	4					40100560				
NUT STL HEX LK B ZP .5 -13 GR 5	13	1									1117283
<b>Stainless</b>											
NUT SS LOCKING	32	3	1117347	1117699							
NUT SS LOCKING	24	6		1103354							
NUT SS LOCKING	20	6			1117336						
NUT SS NON LOCKING	20	7			40100044						
NUT SS ACORN LOW CROWN	20	8			40100061						
<b>Speciality</b>											
CHANNEL NUT WITH SPRING 1 X 1-1/4"	20	9			47009988						

Genuine OEM Parts

1.800.233.4823

www.morganolsonparts.com



MAGNA LOCK	Diameter	Fig.	Length													
			.25	.312	.375	.438	.44	.5	.562	.625	.687	.75	.875	1"		
HUCK R6-4	.188	1		1117084	1117061											
HUCK R8-6	.25	2		1117087												
PROTRUDING HEAD	.25	3			40200304			40200634				40200303				
FLUSH HEAD B6-4	.25	4							40200630							
RIV AL BRAIZER HEAD	.125	5		1117402	1117404	1117405			1117406							
RIV AL BRAIZER HEAD	.188	5		1117351	1117353	1117355			1117357	1117359	1117361	1117363	1117365			
RIV AL BRAIZER HEAD	.25	5							1117380					1117390	1117395	
RIV AL BRAIZER HEAD MOD	.25	5						40200214	1117409	1117410		1117408				
RIV AL FLAT HEAD	.188	7							1117436							
RIV AL FLAT HEAD POP	.25	7														40200630
RIV AL DOME HEAD BLIND	.125	10	1117464													
RIV AL DOME HEAD BLIND	.188	10	1117456			1117457			1117458							1117459
POP AL OPEN END BLIND	.125	6				1117421										
POP AL OPEN END BLIND	.188	6	1117456			1117457										1117458
POP CLSD BLACK		8														40200631
SNAP FASTNER		9														
BULB TYPE BLIND w/WASHER	.188	10			40200621											

Genuine OEM Parts

1.800.233.4823

www.morganolsonparts.com

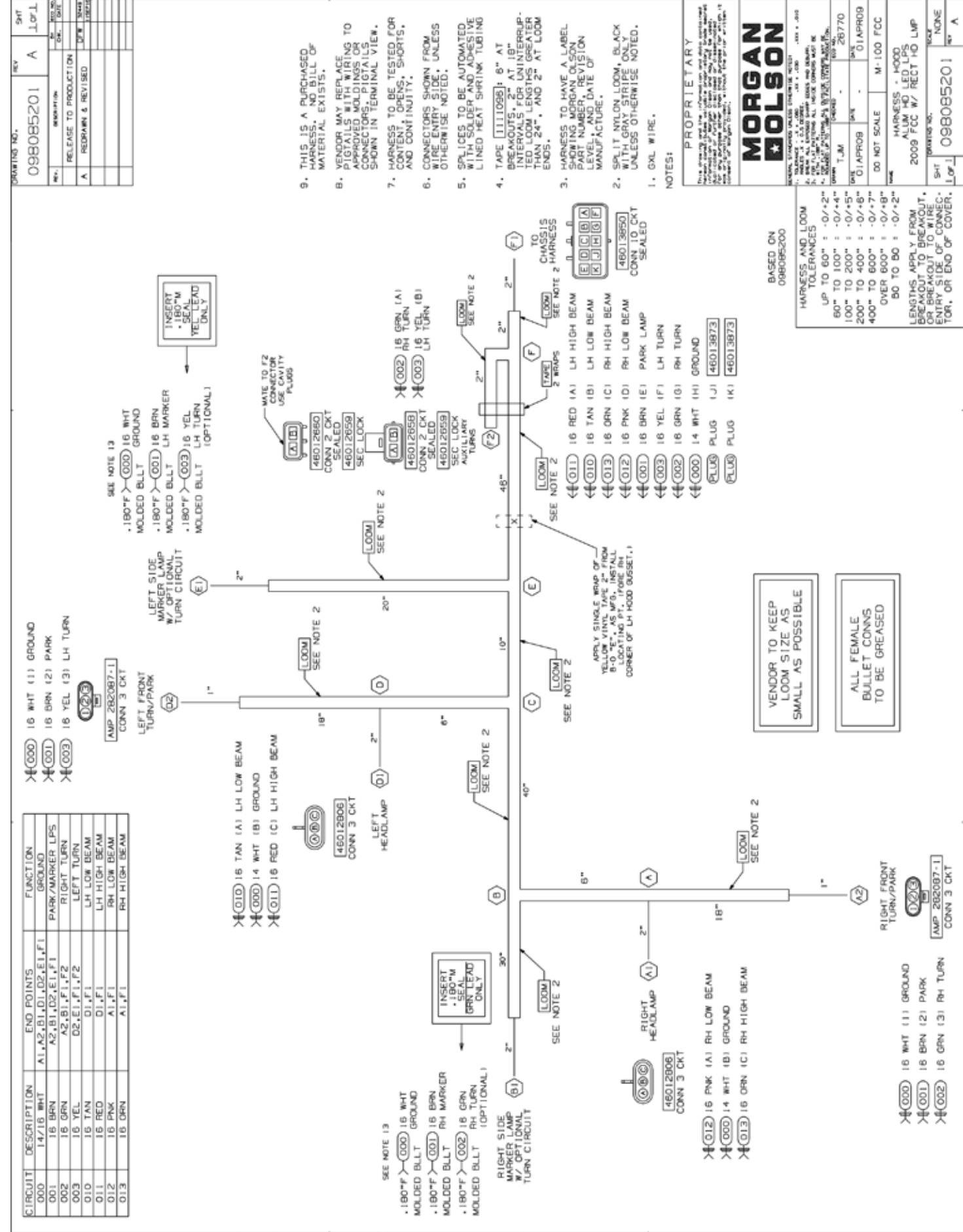
Rivet Head Tool P/N [81600025](#)

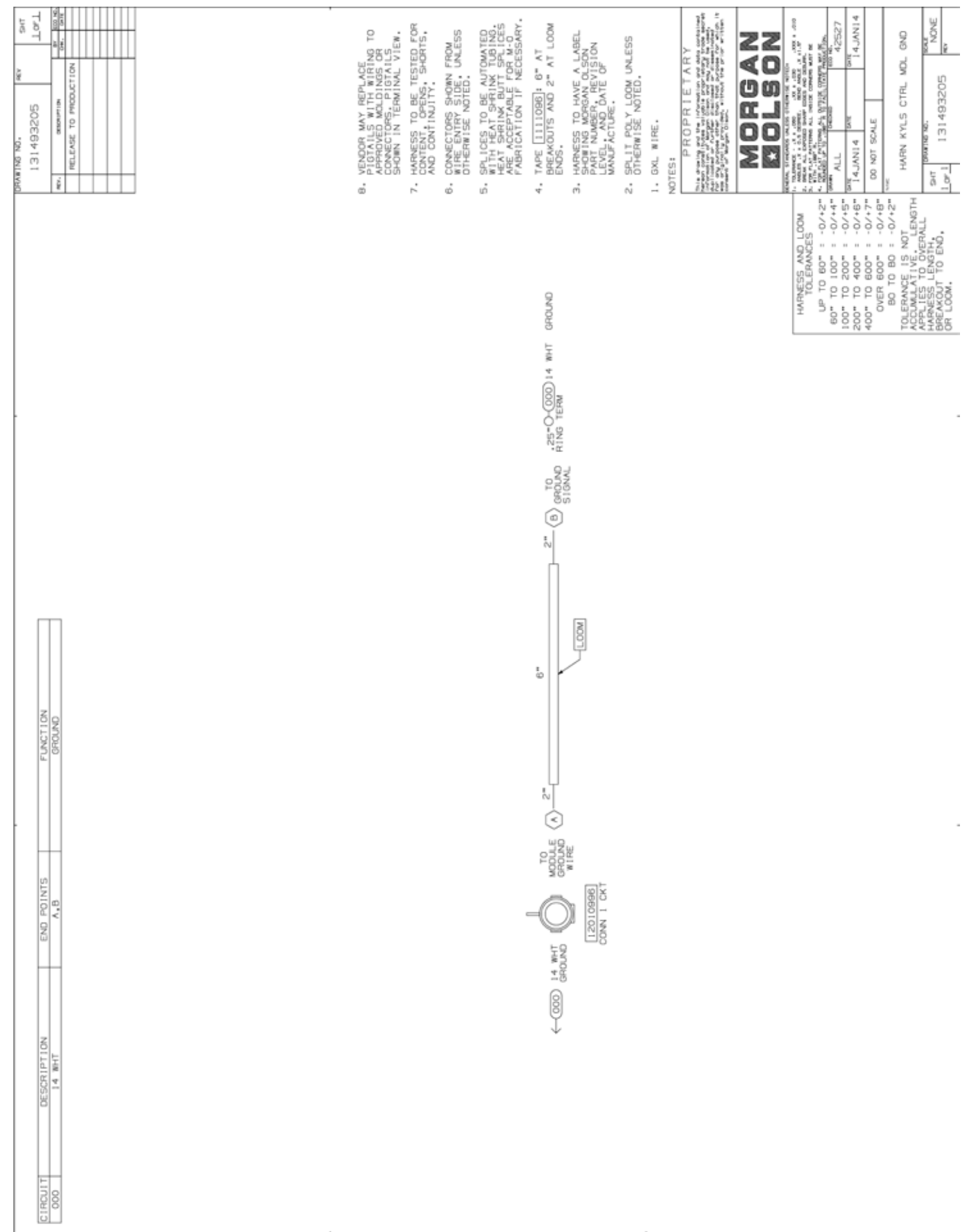
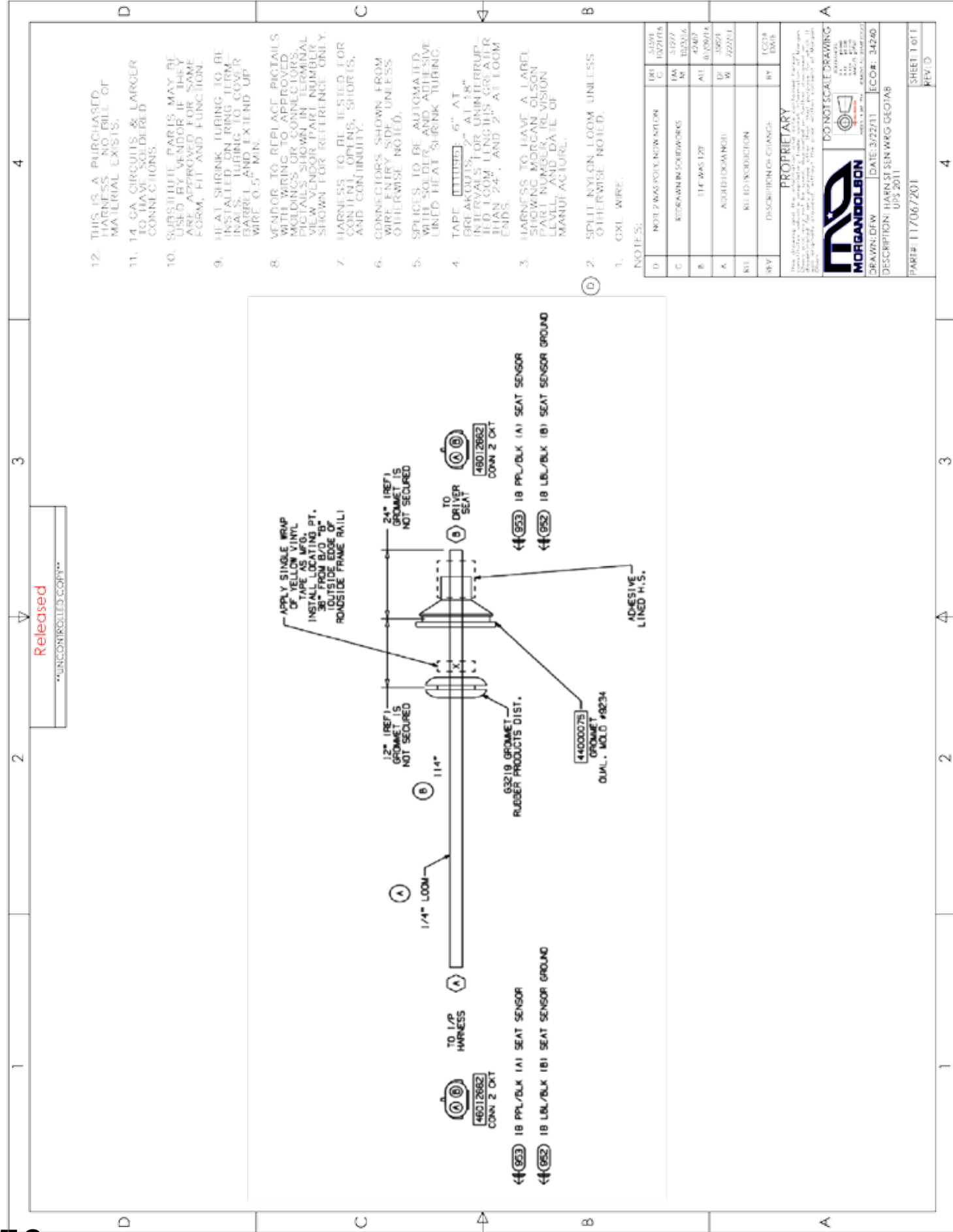
Bucking Bar P/N [81600018](#)

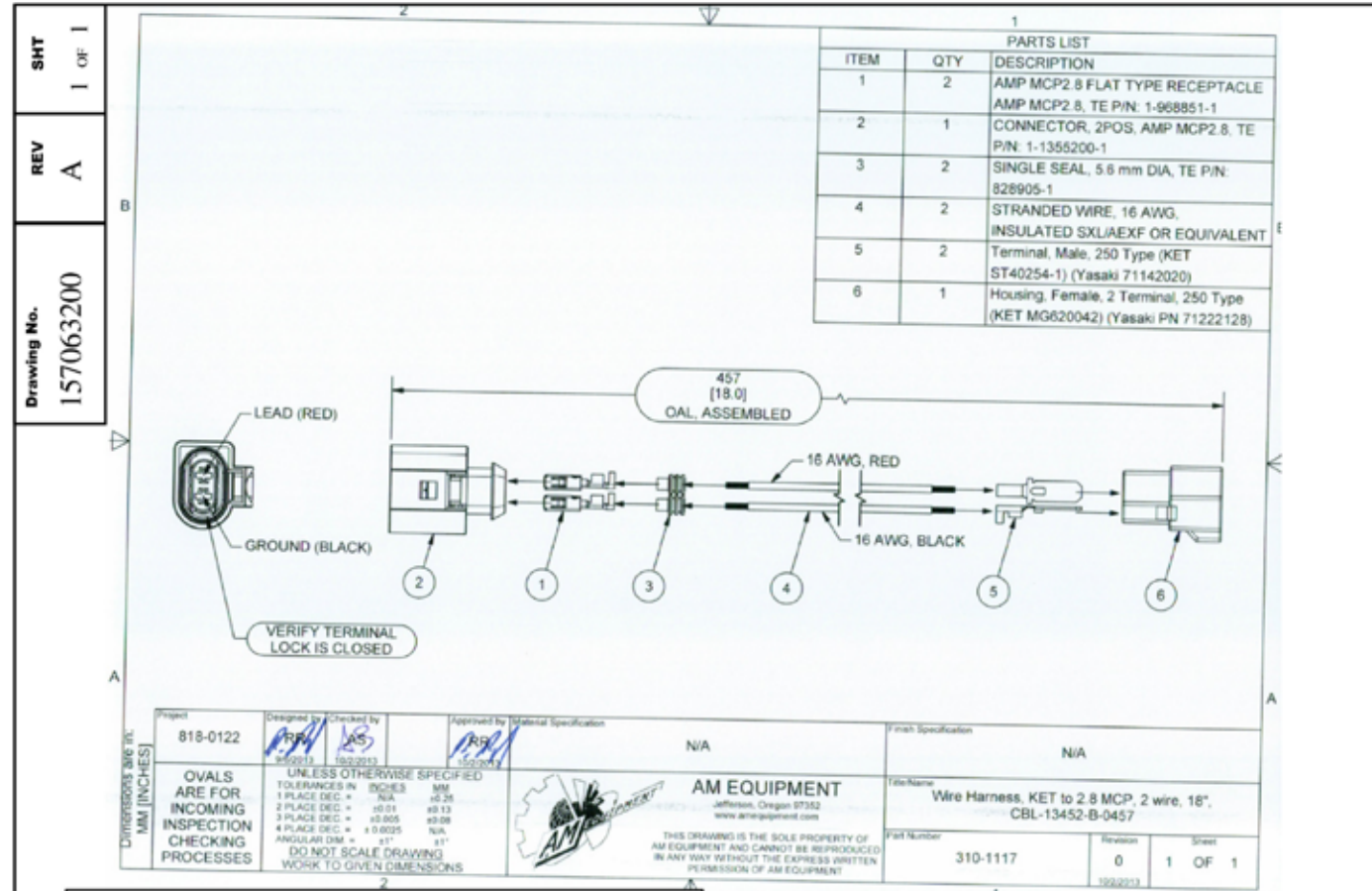




Standard	Center	FIG.	3/8	1/2	9/16	5/8	3/4"	7/8	1"	1-1/4"	1-3/4"
#10 TYPE B FLAT WASHER ZINC/ROHS	.19	1			1117929						
#10 X 1 FENDER WASHER ZC	.19	2							1117950		
#10 EXTERNAL TOOTH LW ZC	.19	3	1117971								
1/4 EXTERNAL TOOTH LW ZC	1/4	3		1117975							
1/4 TYPE B NARROW FLAT WASHER	1/4	4			1117941						
1/4 USS FLAT WASHER ZC/ROHS	1/4	1					1117953				
1/4 F436 (A325) FLAT WASHER ZC/ROHS	1/4	1				4000047					
FLAT WASHER .060 THICK ZC/RO	1/4	1							1117952		
1/4 USS FLAT WASHER	1/4	1									
5/16 SPLIT LOCK WASHER ZC/ROHS	5/16	5	1117965								
5/16 USS FLAT WASHER ZC/ROHS	5/16	1							1117955		
3/8 USS FLAT WASHER ZC/ROHS	3/8	1							1117957		
3/8 X 1 FLAT WASHER 1/4 THK NYLON	3/8	6							4000038		
1/2 TYPE B REGULAR FLAT WASHER	1/2	1								4000050	
1/2 TYPE B REGULAR FLAT WASHER ZC	1/2	1								1117945	
1/2 TYPE B WIDE FLAT WASHER ZC/ROHS	1/2	1									1117959
<b>Grade 8</b>											
5/16 USS FLAT WASHER GR 8 ZC/Y	5/16	7								1117937	
3/8 USS FLAT WASHER GR 8 ZC/Y	3/8	7									1117947
3/8 SAE FLAT WASHER GR 8 ZC/Y	3/8	7				4000046					1217002
7/16 USS FLAT WASHER GR 8 ZC/Y	7/16	7									1117943
1/2 SAE FLAT WASHER GR 8 ZC/Y	1/2	7									
<b>Stainless 18-8</b>											
#10 X 5/8 BONDED SEALER 18-8 SS	.19	8				4000053					
1/4 X 5/8 BONDED SEALER 18-8 SS	1/4	8				4000051					
3/8 X 3/4 BONDED SEALER 18-8 SS	3/8	8					4000054				4000055
3/8 X 1" BONDED SEALER 18-8 SS	3/8	8									
1/4 EXTERNAL TOOTH SS LW ZC	1/4	3		40000510							
<b>Specialty</b>											
WASHER NYLON .13 X .62 ID X 1.38 OD	5/8	9								137147429	







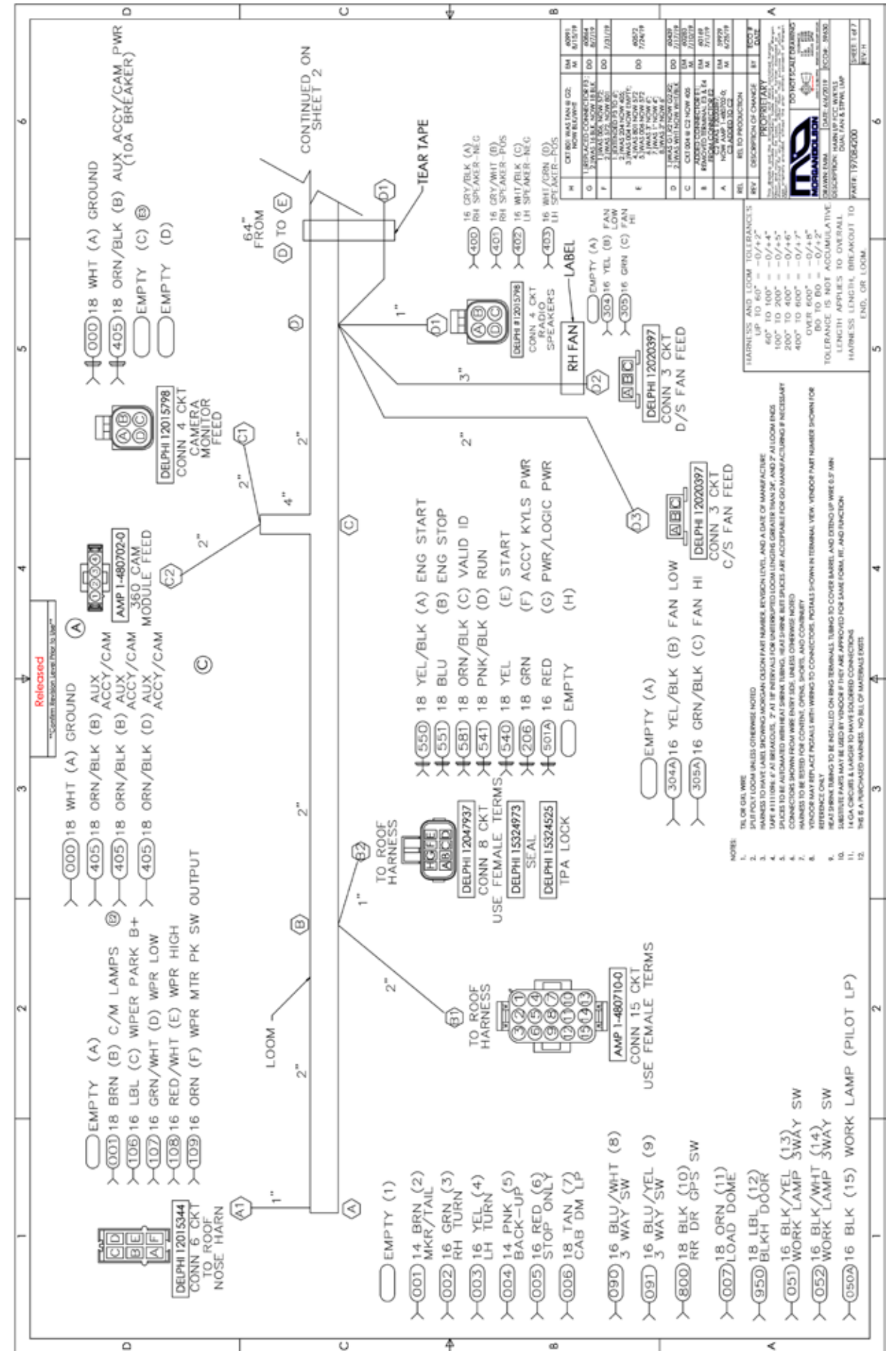
ADD 18" HIGH-TEMP LOOM 46020207 TO WASHER BOTTLE PIGTAIL 47004506 AND TAPE 1111096 TO BOTH ENDS

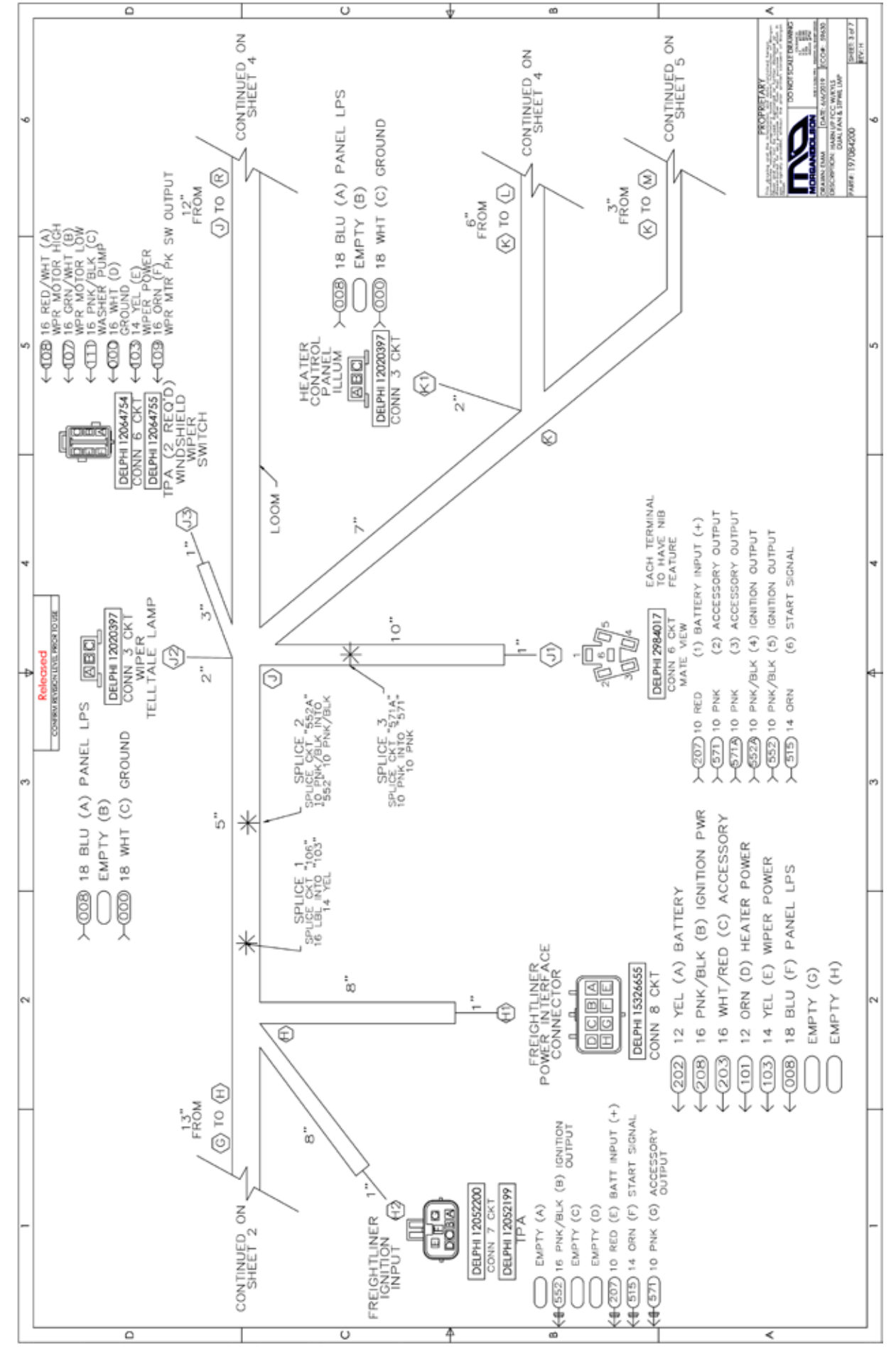
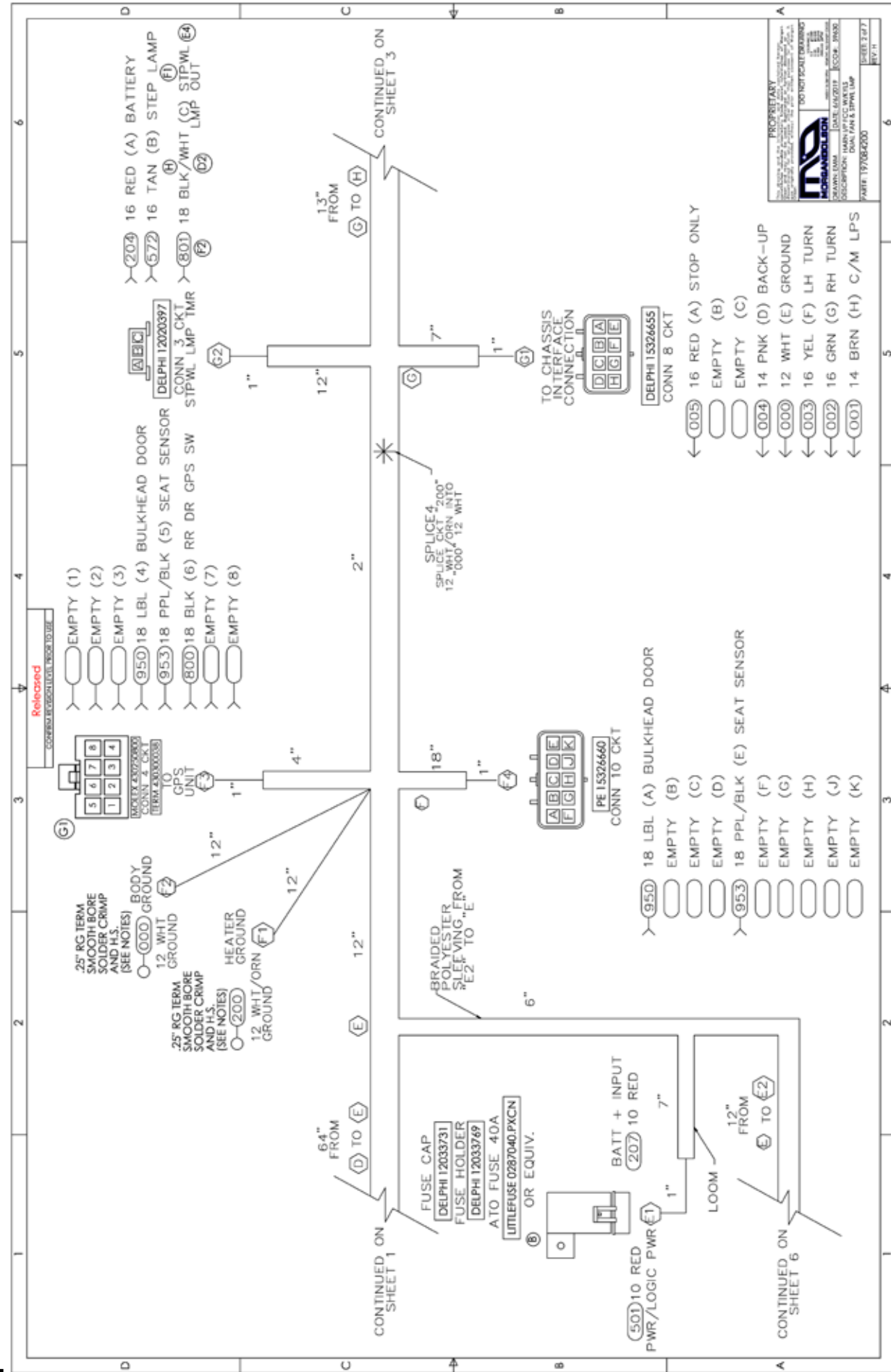


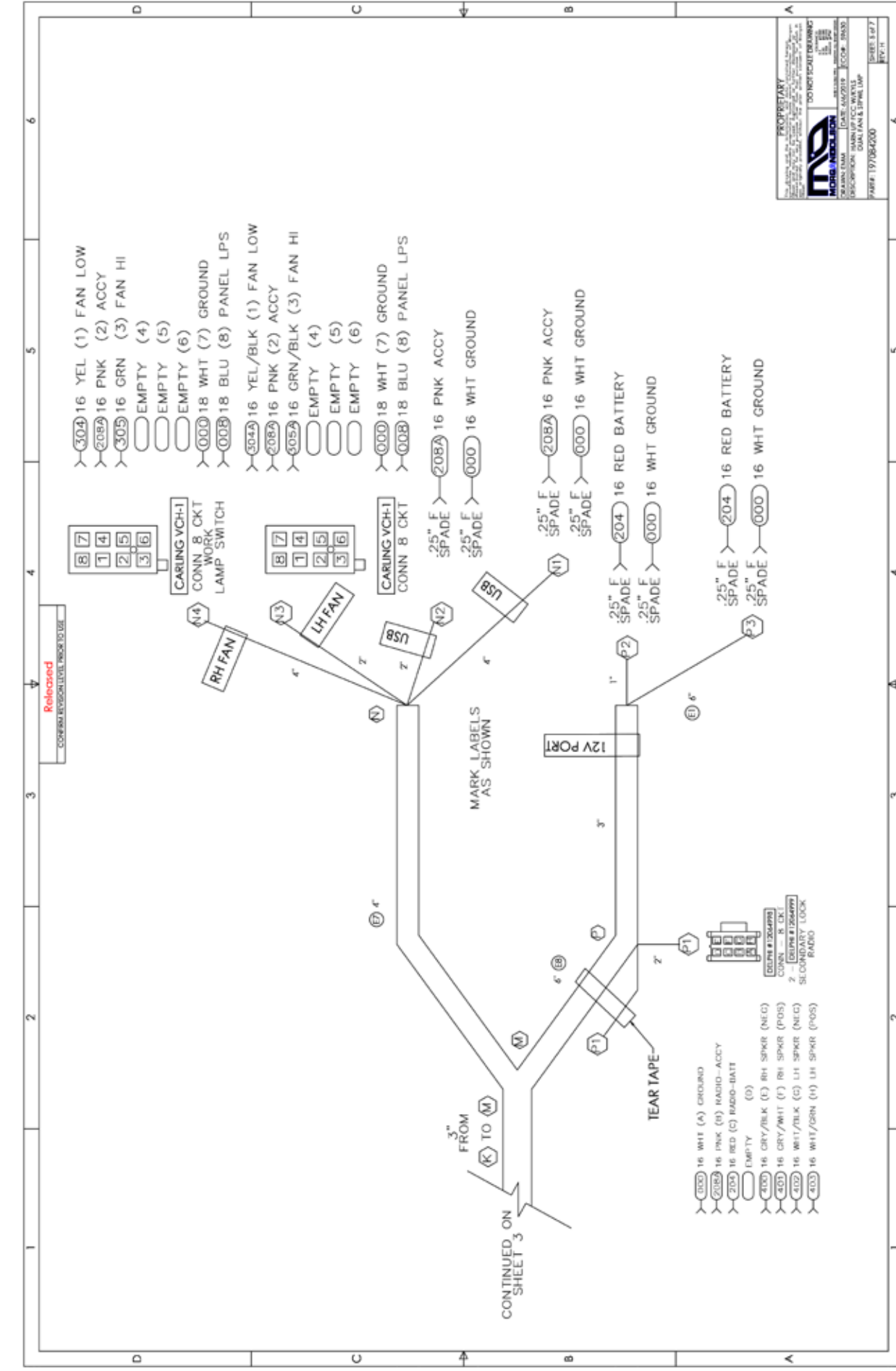
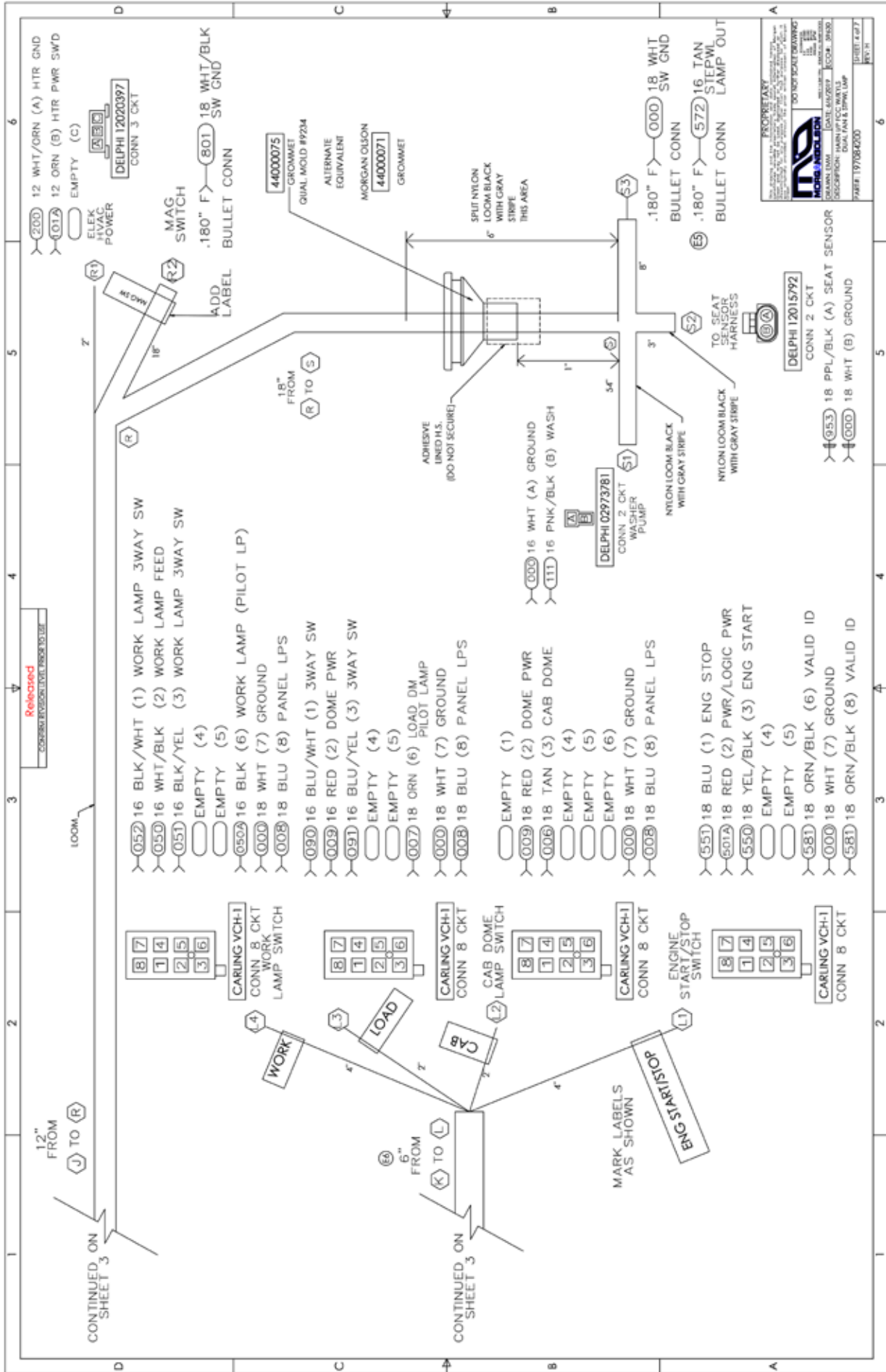
- GENERAL STANDARDS UNLESS OTHERWISE NOTED:
- TOLERANCE- .X ± .060 .XX ± .030 .XXX ± .010
  - ANGLES- .X ± 5 DEGREES
  - BREAK ALL EXPOSED SHARP EDGES AND DEBURR. FOR FLAT PATTERNS ALL INSIDE CORNERS MUST BE WITH .188" R.
  - FOR FLAT PATTERNS ALL OUTSIDE CORNERS MAY BE ROUNDED UP TO .188" R TO FACILITATE PRODUCTION.

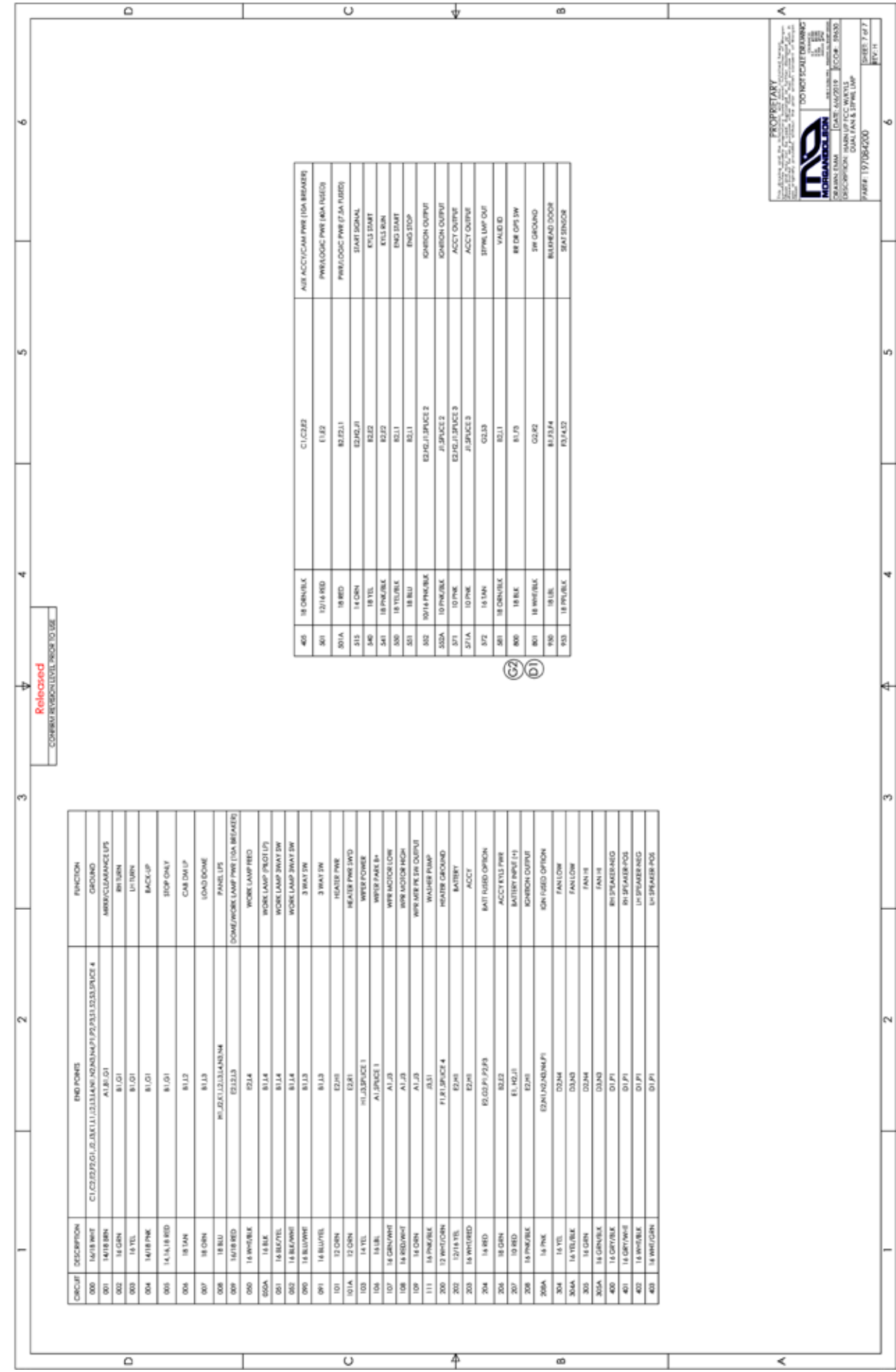
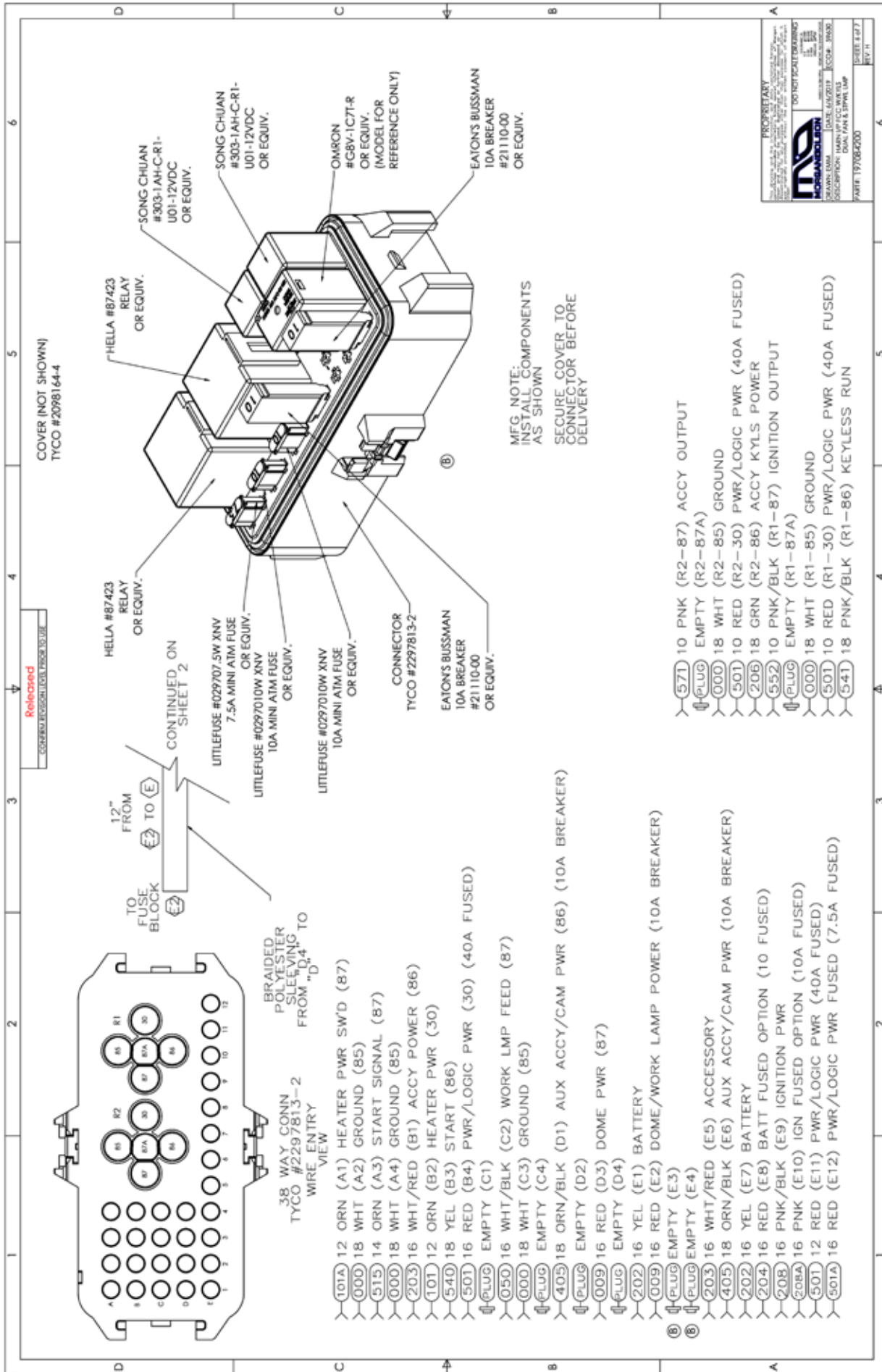
REV	DESCRIPTION	BY	REL. NO.
A	CHANGED DRAWING NO. FIELD FROM 15706200	EMM	47140 2/26/16
RELEASED TO PRODUCTION			
PROPRIETARY			
This drawing and the information and data contained hereon constitutes valuable proprietary trade secret information of Morgan Olson Corp. and may not be used, duplicated or further disclosed or disseminated for any purpose other than that purpose for which it was originally provided, without the prior written consent of Morgan Olson Corp.			

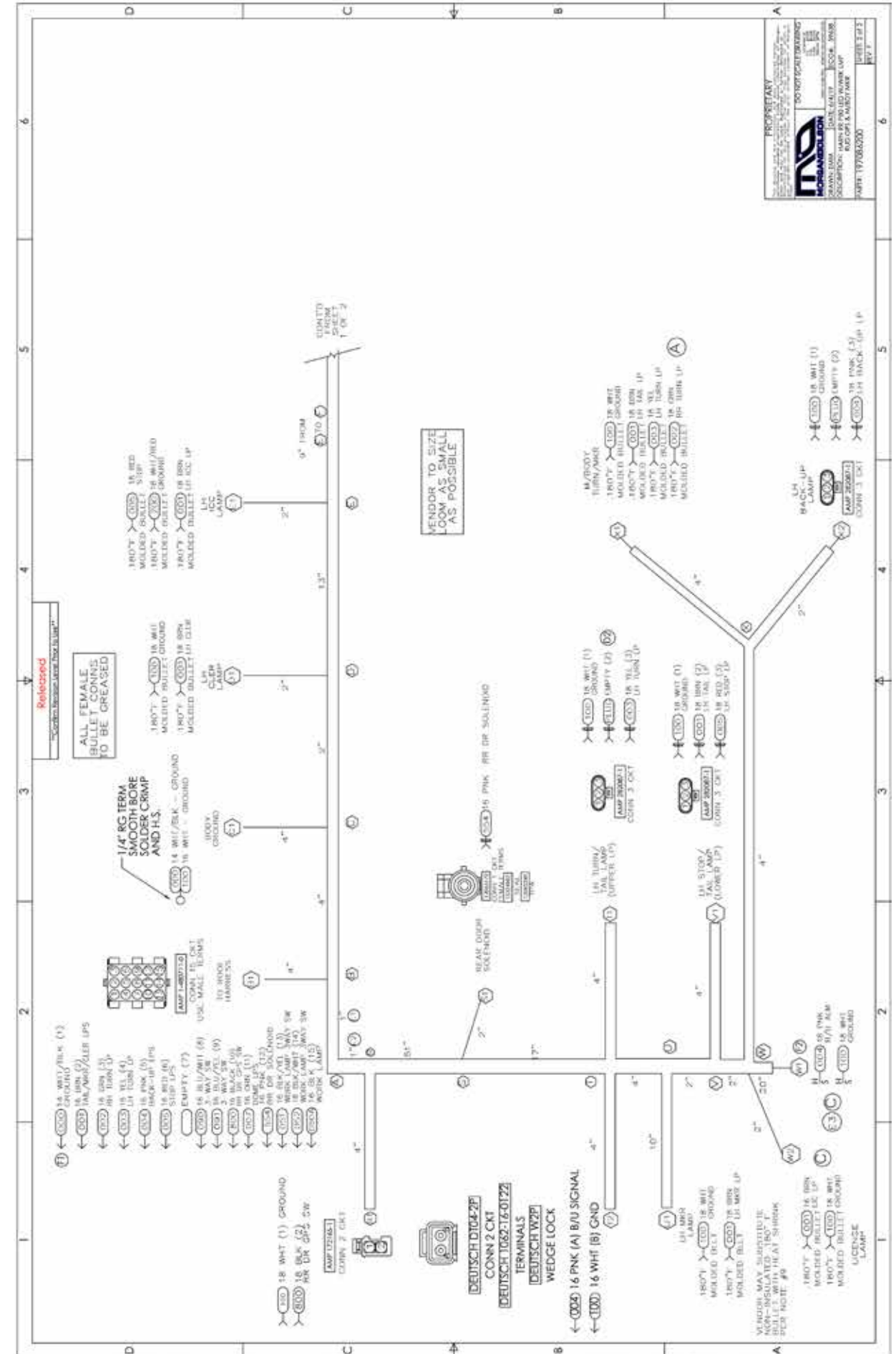
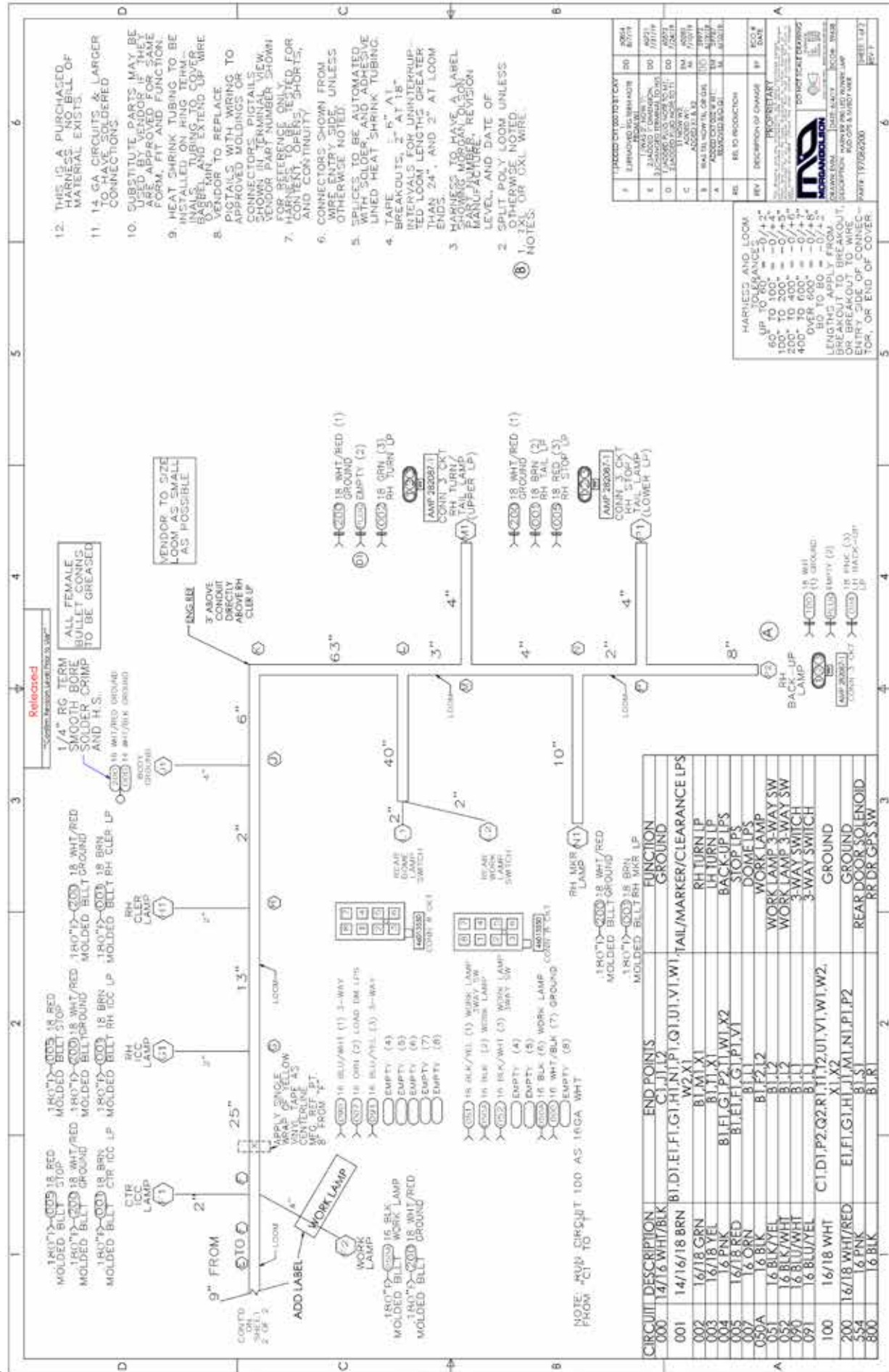
DATE	DATE	DATE
08/10/15	-	08/10/15
DO NOT SCALE		
HARN WSHR BTL PGTL LOOM ADDED		
SHT	DRAWING NO.	SCALE
1 of 1	157063200	NONE
		REV
		A

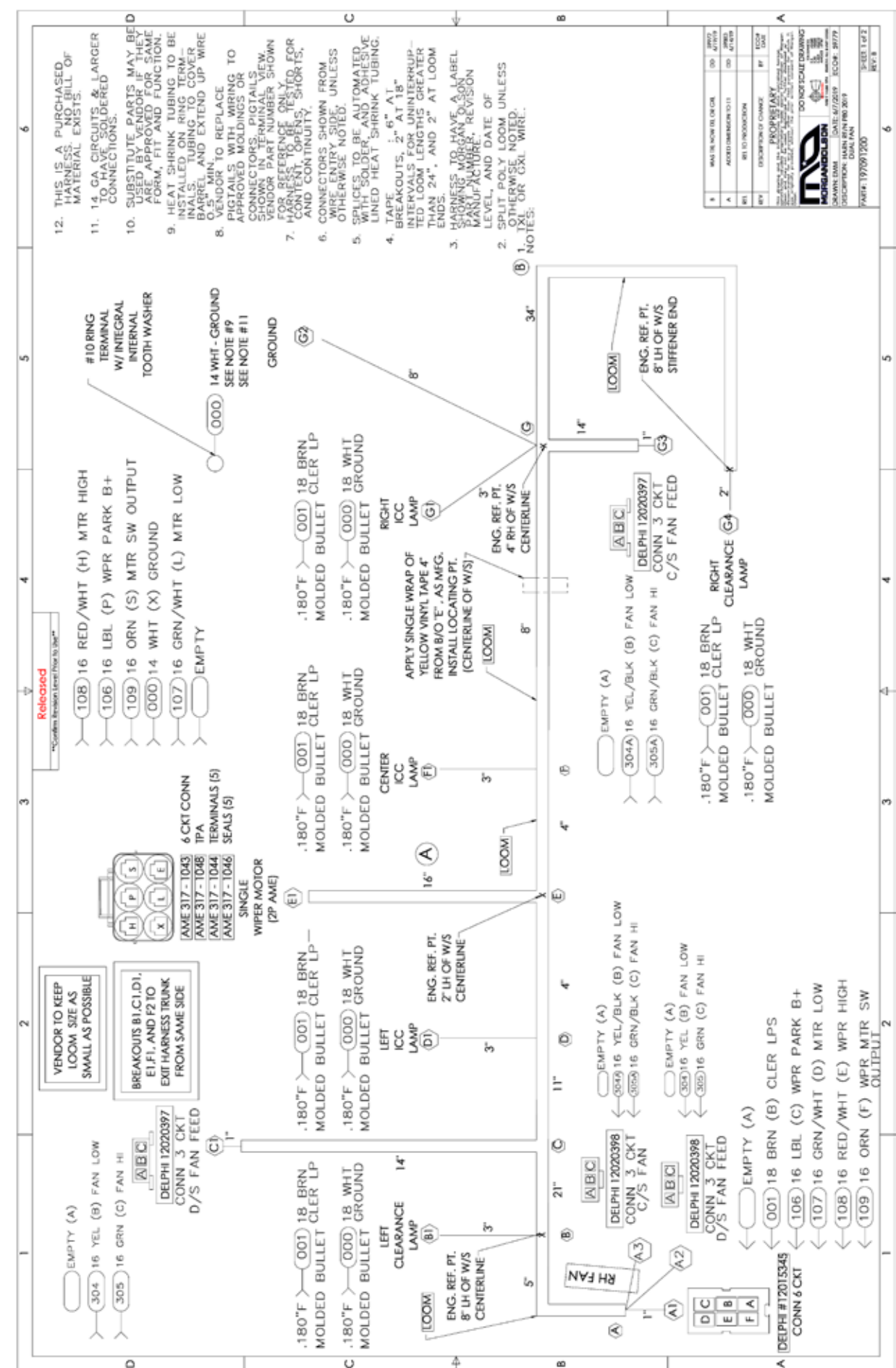
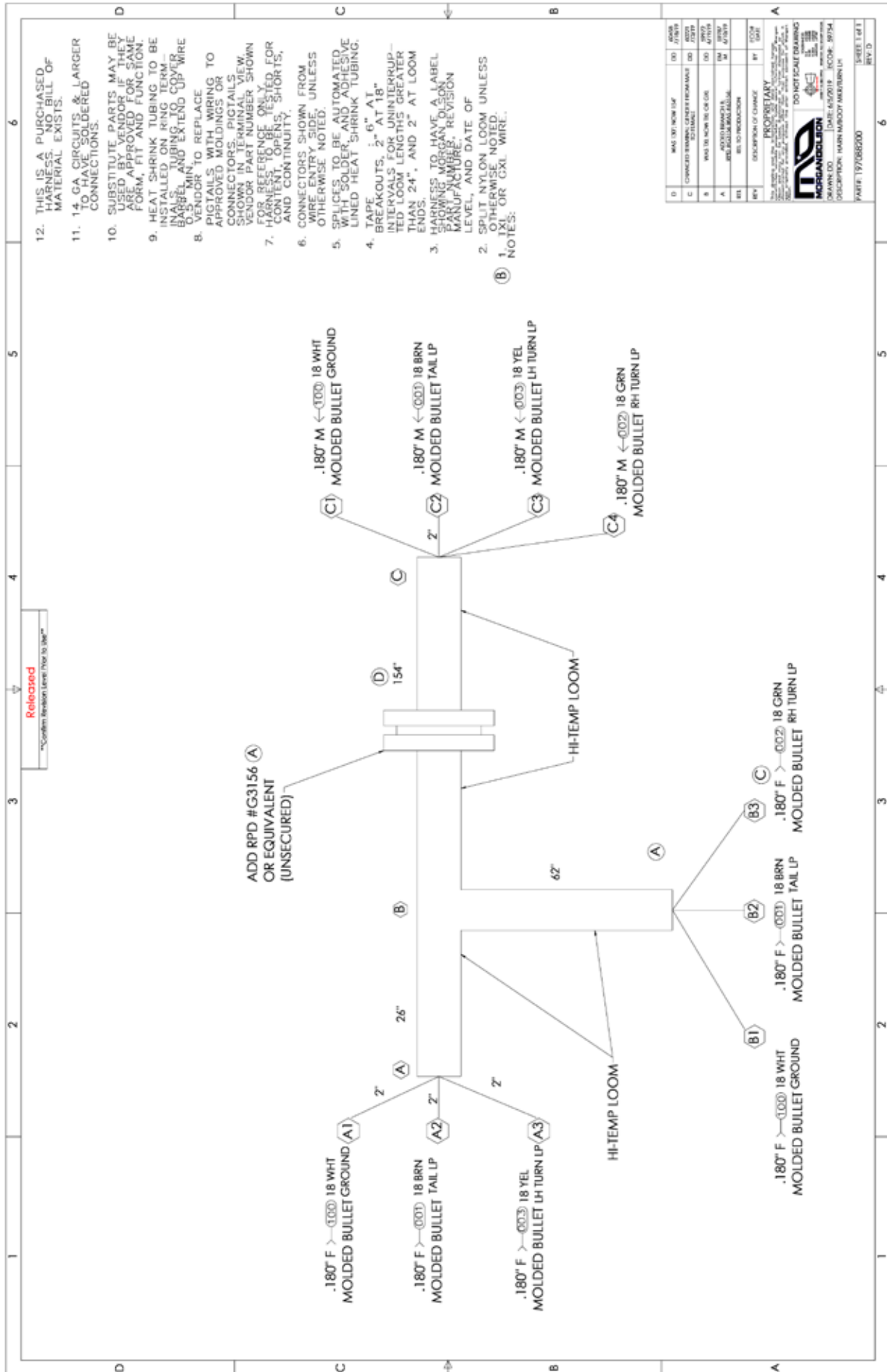




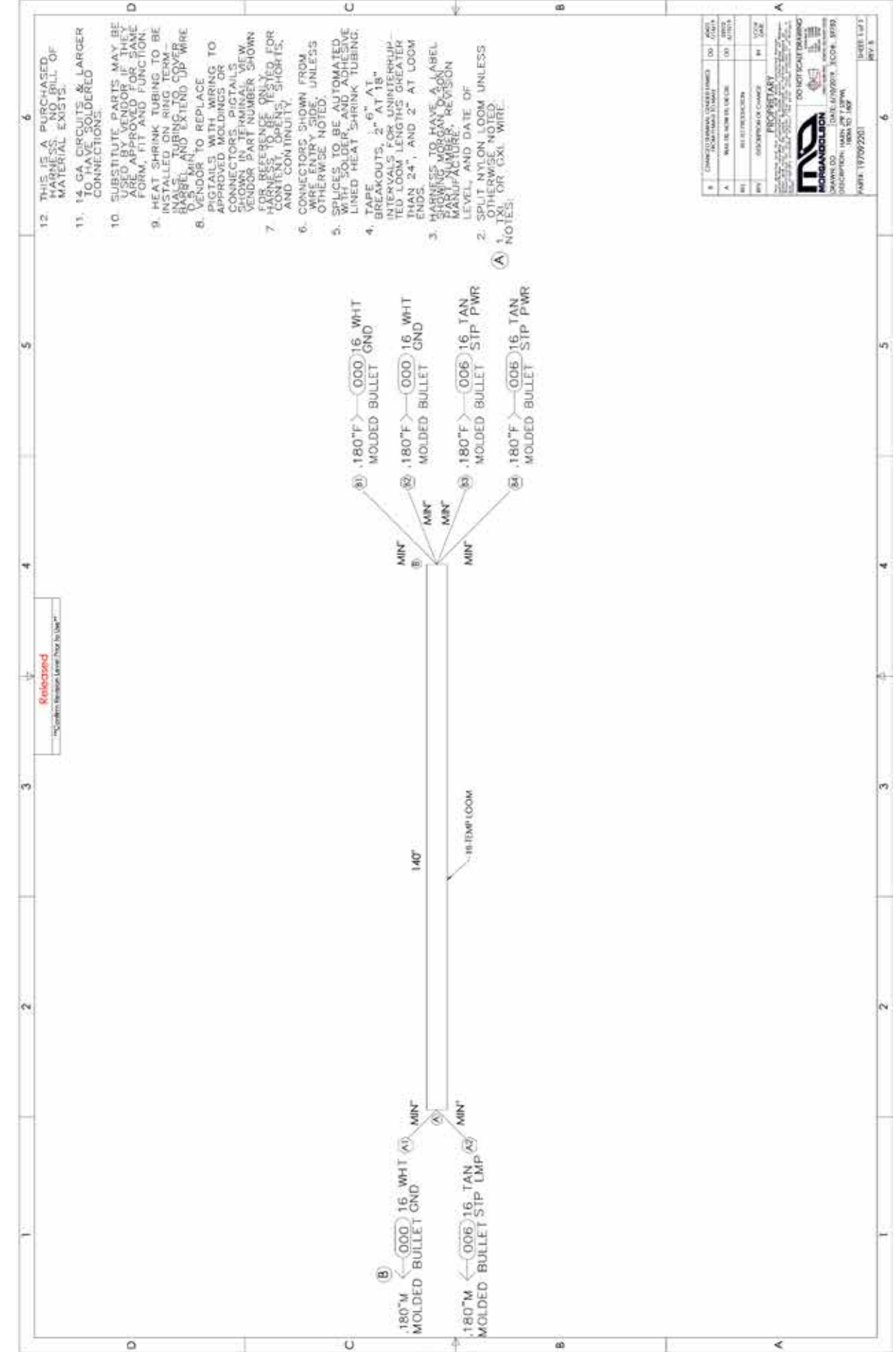
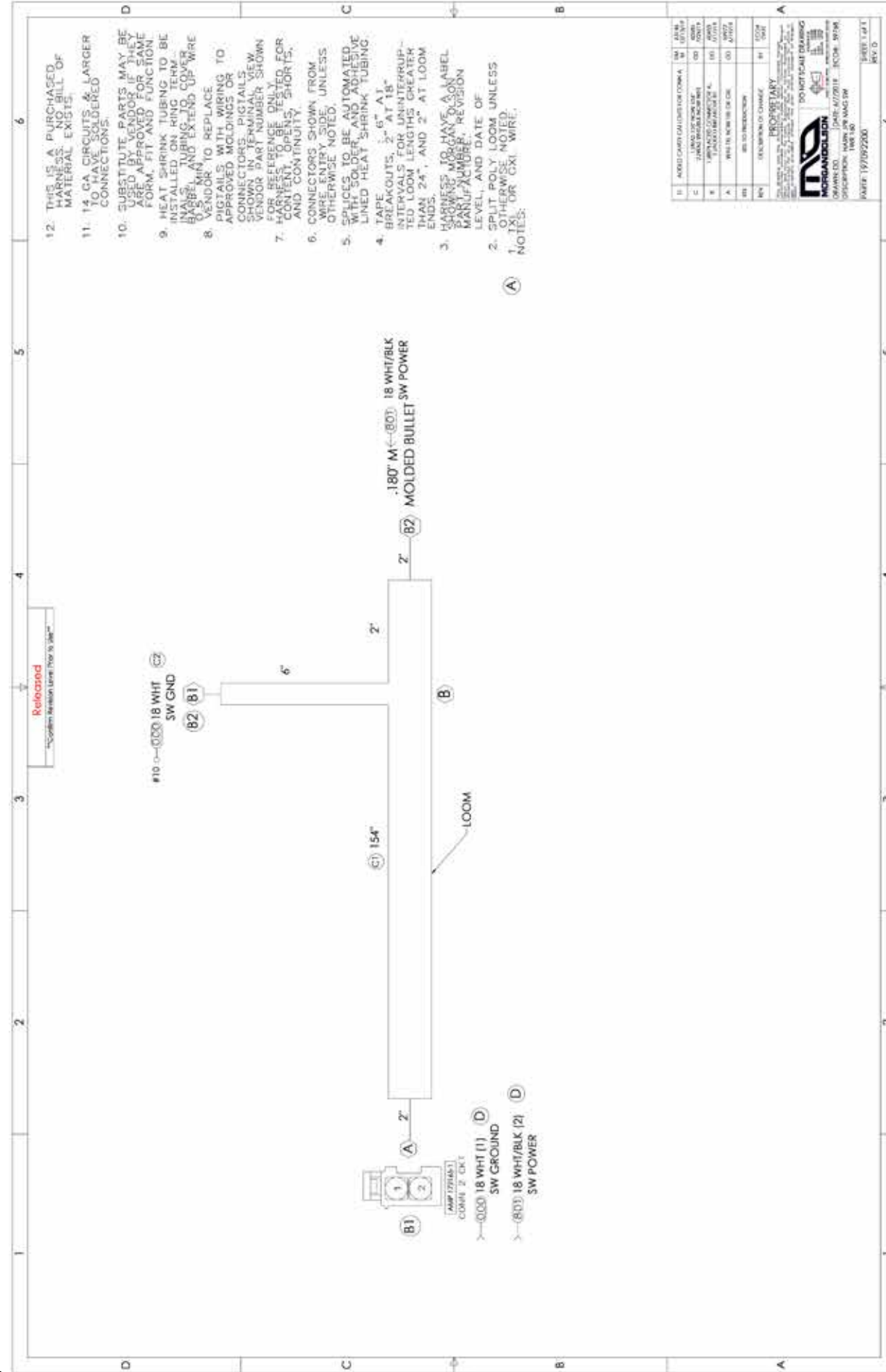






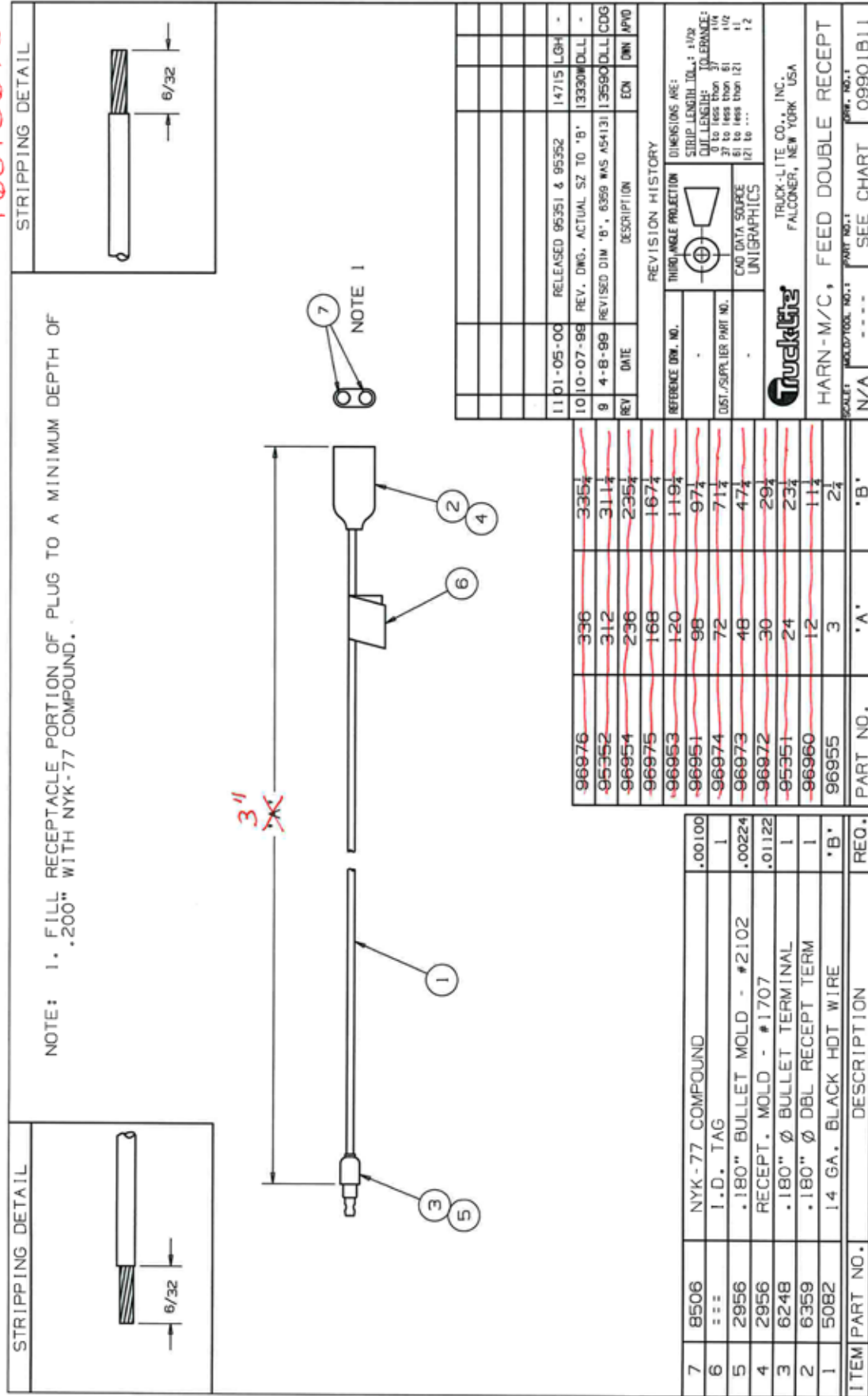








46010675



USB Cables shown for reference only - Not supplied by Morgan Olson



P/N 48200215 USB to Micro USB 1M



USB Cable - Type A M to F



Cable - Camera to Monitor

