

amazon



Walk In Van Parts Catalog

Morgan Olson Body
Freightliner MT45 Chassis



Driven By You



1.800.233.4823
WWW.MORGANOLSON.COM

INTRODUCTION	3
CAB	4
WINDSHIELD	5
HEATER	6-7
HEATER W/ AC	8-9
A/C SYSTEM	10-11
HOOD	12-13
STEPS	14
INSTRUMENT PANEL	15
SEATS	16
FLOOR	17
SIDES	18-19
ROOF	20
BACK	21
BULKHEAD	22-23
SIDE DOORS	24-25
SIDE DOOR POCKETS	26-27
REAR DOOR P/N 47104066	28-31
SHELVES	32
BUMPERS	33
KEYLESS SYSTEMS	34
WIPER ASSEMBLY	35
MIRRORS	36-37
MISCELLANEOUS	38
ELECTRICAL	39-40
360 CAMERA SYSTEM ASA	41-42
360 CAMERA SYSTEM ROSCO	43-44
WALK-IN VAN COMMON FASTENERS	45-49
WIRING DIAGRAMS	50-71

Vehicle Guide			
Year	Bill of Material #	Starting VIN#	Ending VIN#
2019	JV002582	4UZAC2EA5LCLW5992 Please use catalog for Pilot Vehicle	
2019	JV002585	4UZAC2EA0LCLZ1318	4UZAC2EAXLCLZ6848
2019-2020	JV002905	4UZAC2EA0LCMH6008	4UZAC2GAXMCM9773
2020-2021	JV002973	4UZAC2EA6MCM9109	4UZAC2EA4MCML0803
2020	JV003031	See Catalog for Amazon XOS Electric Vehicle	
To properly identify your vehicle, please search your VIN # at morganolsonparts.com			

This parts guide contains illustrations and part numbers for Amazon P80 Package Delivery Cars and applies to bill of material #s JV002585, JV002905 & JV002973

How to order parts from Morgan Olson.

To setup your parts account properly, please call out parts department at 800-233-4823. Once your parts account is established, use any of the methods below to order parts. (If you setup a retail parts account online, you may not get your fleet discount)

Method 1 (Recommended)

Go to our parts web site, WWW.MORGANOLSONPARTS.COM and search your vehicle VIN number to get a list of parts generated directly from your vehicles Bill of Material.

You can filter the list of items further by selecting the category for the location of the parts. IE. Bumper, Hood, Glass, Rear Door, etc.

You may change the search drop down menu to search by part number, description, unit number or VMRS number.

Method 2

Use this parts catalog to identify your part numbers.

Then go to WWW.MORGANOLSONPARTS.COM and search by part number to get pricing availability, add the items to your shopping cart.

Method 3

Call our Parts Department at 1-800-233-4823.

Please have your VIN number available and one of our customer service representatives will be able to help you identify the parts you need.

*If you already know the part numbers of the items you want to order, use our Quick Order page to enter your part numbers and quantities, then click add to cart. [HTTPS://WWW.MORGANOLSONPARTS.COM/QUICK-ORDER](https://www.morganolsonparts.com/quick-order)

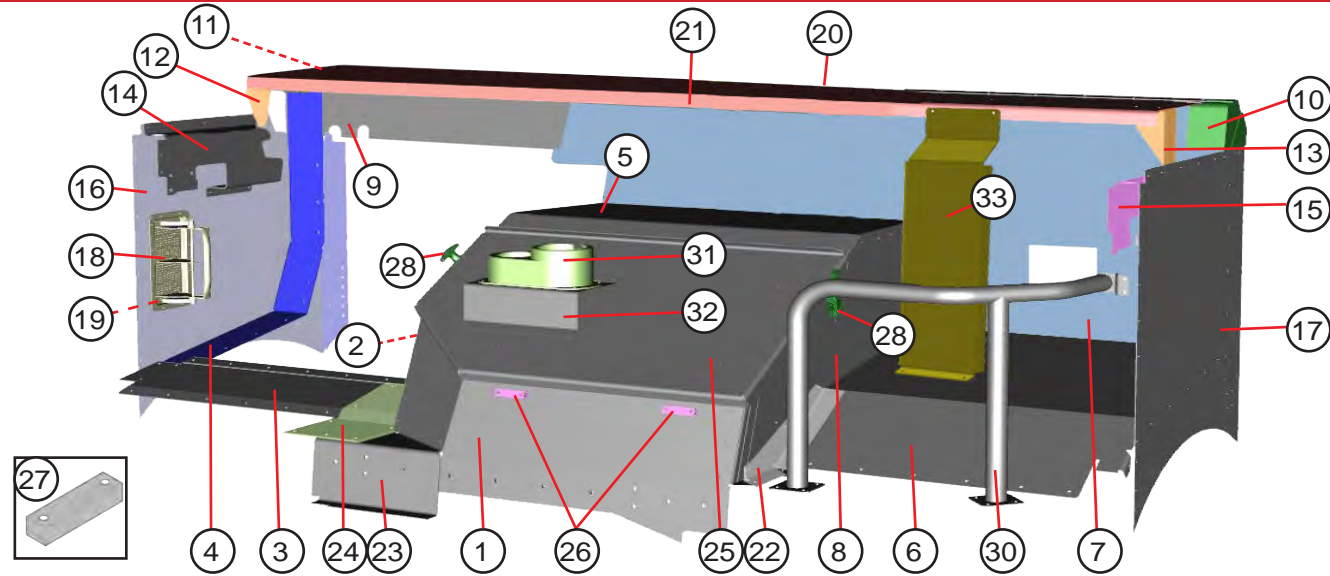
Note* Orientation is always from the rear of the vehicle looking forward.

Roadside = Left Hand LH

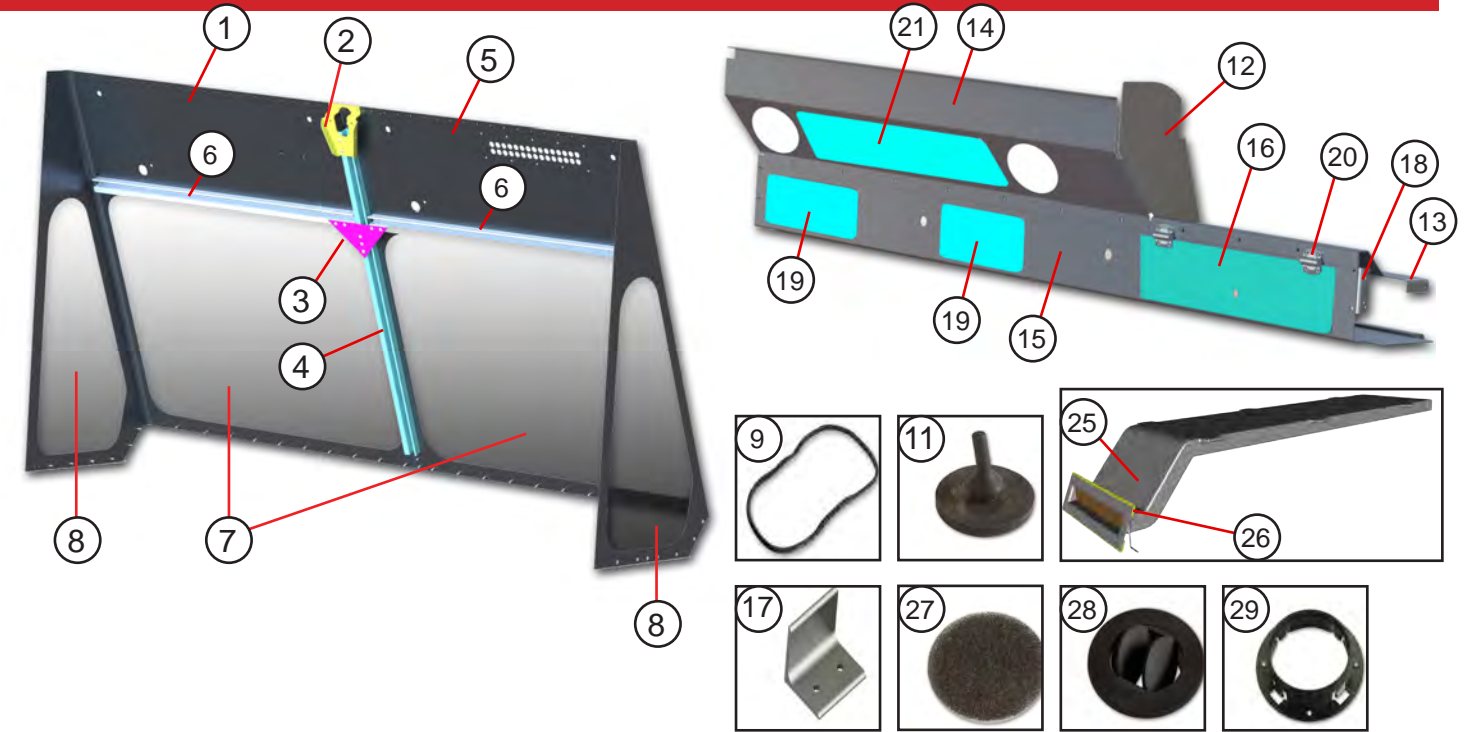
Curbside = Right Hand RH

[RIVIT TOOL TIPS](#) and [BUCKING BARS](#) may be purchased online at Amazon.com

For warranty information, please call 1-800-262-3437

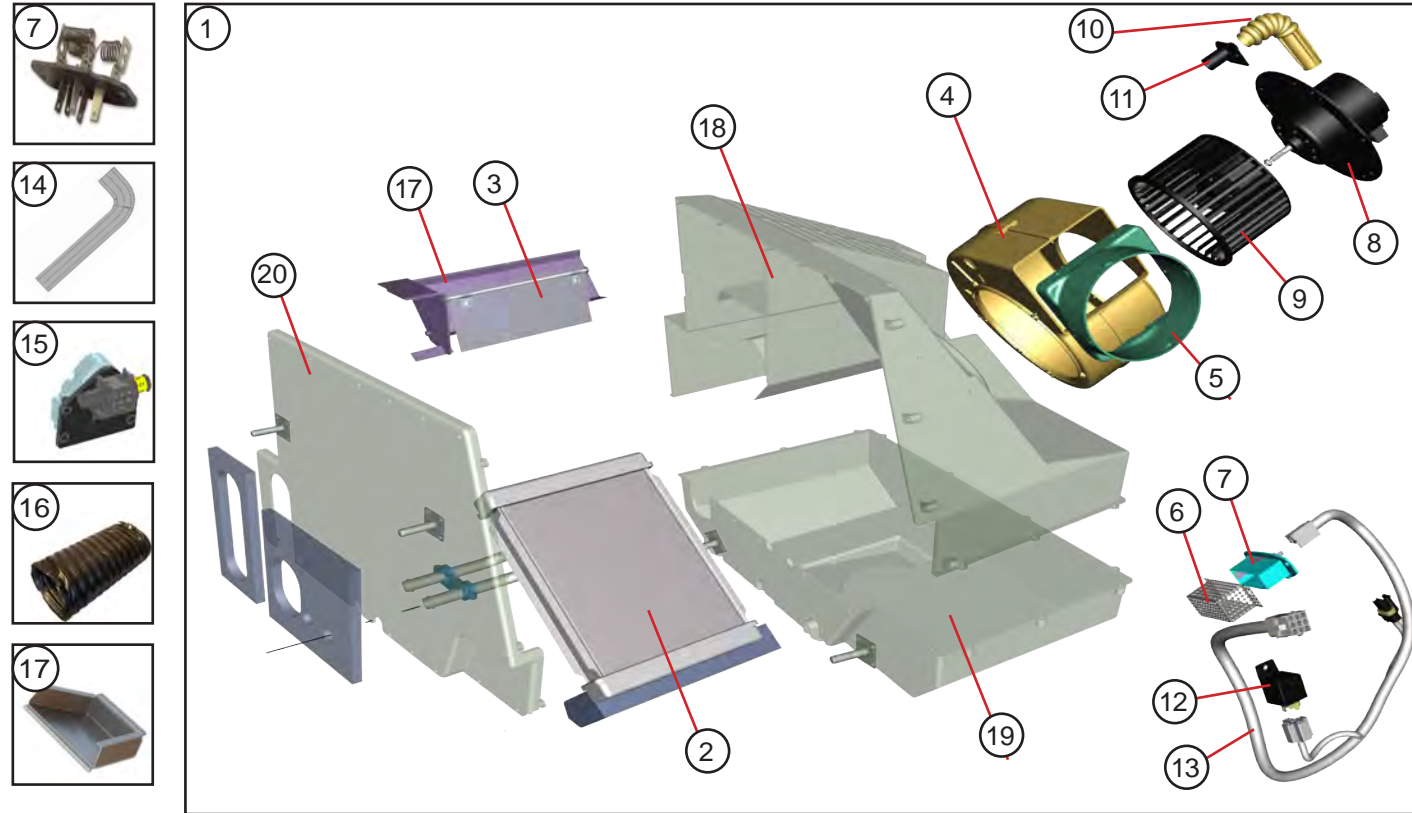


ITEM #	PART #	DESCRIPTION	QTY.	UNIT
1	190005400	ENGINE BOX SADDLE AL .125X20.41X33.26	1	EA
2	190005401	ENGINE BOX SIDE AL .102X19.64X30.51 LH	1	EA
3	187005410	TOEBOARD AL .125X8.48X30.09 LH	1	EA
4	187005411	TOEBOARD DASH AL .125X4.6X44.52 LH	1	EA
5	190005402	ENGINE BOX TOP AL .125X15.86X33.58	1	EA
6	117005408	PANEL DASH AL .102X26.96X28.02	1	EA
7	197005402	DASH WALL HEATER AL .125X25.89X61.35	1	EA
8	190005403	ENGINE BOX HOUSING AL .102X22.53X32.55 RH	1	EA
9	187005413	DASH WALL AL .125X8.73X27.29 LH	1	EA
10	8502001	CORNER AL CASTING W/S RH	1	EA
11	8502000	CORNER AL CASTING W/S LH	1	EA
12	177005411	SUPPORT RAIL W/S AL .102X8.26X9.65 LH	1	EA
13	177005412	SUPPORT RAIL W/S AL .102X8.26X9.65 RH	1	EA
14	107005410	STIFFENER W/S AL .125X12.62X17.81 LH	1	EA
15	107005411	STIFFENER W/S AL .125X12.62X17.81 RH	1	EA
16	188005412	CAB SKIRT AL .07X27.42X30.57 LH	1	EA
17	188005407	CAB SKIRT AL .07X27.29X30.57 RH	1	EA
18	47008545	VENT 2 WAY HINGELESS (19 - VENT GASKET 47008548)	1	EA
20	083005432	RAIL WINDSHIELD 88W AL 851100X84	1	EA
21	187005417	DASH SHELF AL .125X13.73X84	1	EA
22	077050406	GUSSET TOEBOARD AL .125X5.33X14.88 RH	1	EA
23	187005416	FILLER SADDLE LOWER AL .125X11X14.48	1	EA
24	197050401	HEEL SCUFF PLATE ALD .125X7X13.38	1	EA
25	190028401	LID ENGINE BOX AL .102X19.33X34.47	1	EA
26	47007859	HINGE OFFSET	2	EA
27	117028400	SHIM ENGINE BOX LID	2	EA
28	1113336	LATCH ENGINE BOX LID	2	EA
30	47001042	RAIL GRAB ENTRY BLACK PDWCT (CLIP 107005490)	1	EA
31	42007001	CUP HOLDER PLS BLACK	1	EA
32	083125400	BRACKET CUP HOLDER AL .07X10X10.53	1	EA
33	177080400	GUARD HEATER AL .125X8.21X27.03	1	EA
NS	1107270	SEAL ENGINE BOX LID	8	FT

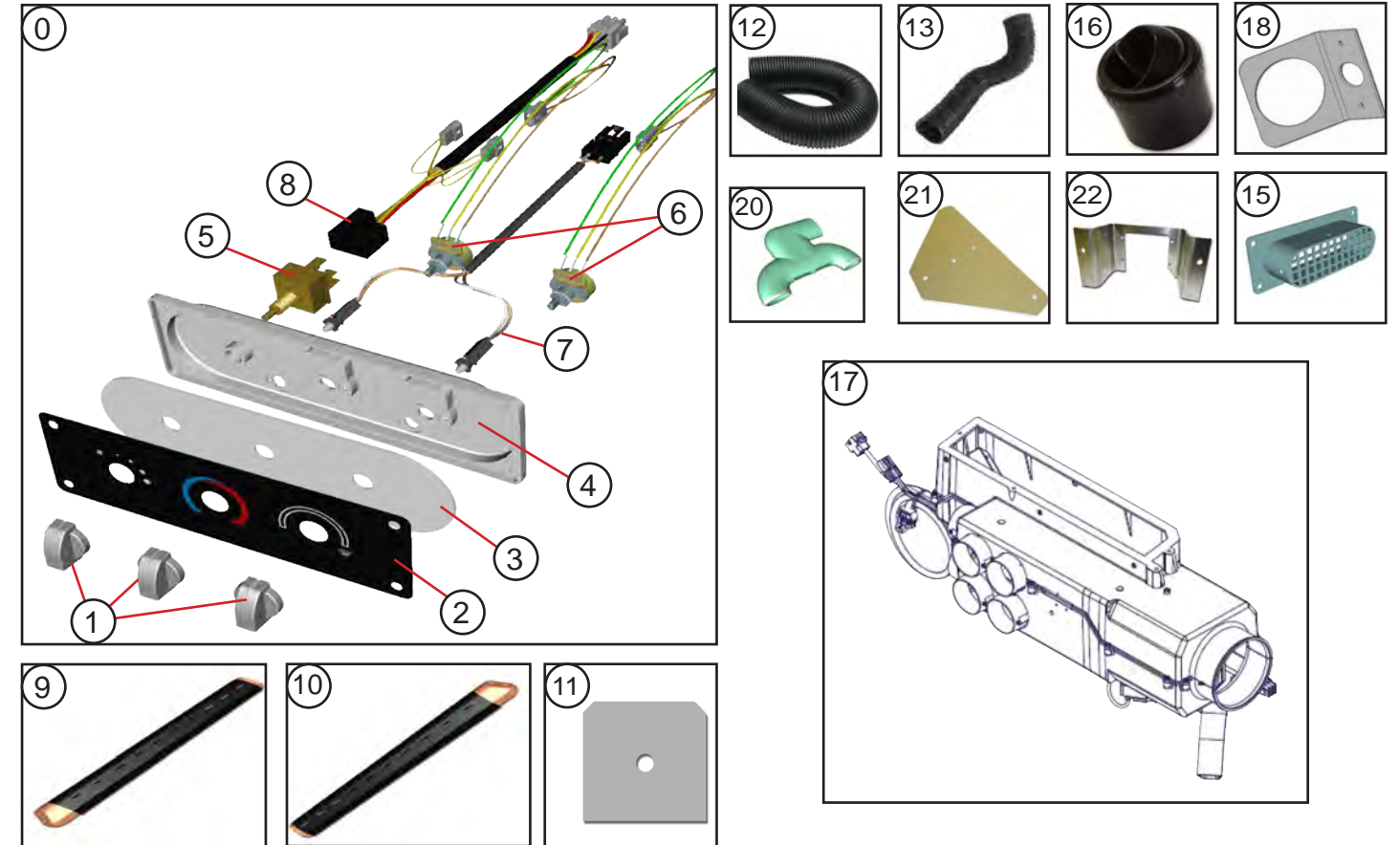


ITEM #	PART #	DESCRIPTION	QTY.	UNIT
1	188055402	WINDSHIELD FRAME AL .102X53.45X67.53 LH	1	EA
2	077055402	GUSSET FRAME W/S AL .125X6.49X7.27	1	EA
3	998555329	GUSSET FRAME W/S AL .125X4.6X9.19	1	EA
4	077055401	POST W/S CENTER AL 450540X44	1	EA
5	188055403	WINDSHIELD FRAME AL .102X53.45X67.76 RH	1	EA
6	077055405	STIFFENER W/S AL 450540X41.75	2	EA
7	005756400	GLASS WINDSHIELD	2	EA
8	006756400	GLASS SIDE WINDOW	2	EA
9	44004304	WEATHER STRIP WINDSHIELD	2	EA
10	44004309	WEATHER STRIP SIDE WINDOW	2	EA
11	1107102	PLUG BUMPER COMPARTMENT DOOR	2	EA
12	197076403	COVER WIPER AL .102X13.4X21.04	1	EA
13	197076402	COVER TOP AL .102X8.54X29.52	1	EA
14	197076401	COVER WIPER ASSEMBLY AL .102X14.85X57.25	1	EA
15	197076400	SHELF COVER AL .102X17.13X85.31	1	EA
16	103076400	COVER DOOR COMPARTMENT AL .102X5.81X23	1	EA
17	093076401	ANGLE LATCH PLATE STL 1101144X2	1	EA
18	088076449	BRACKET MOUNTING AL .102X2.36X3.9 LH	2	EA
19	088076431	PLATE COVER WIPER MOTOR AL .102X5X12	2	EA
20	47007888	HINGE COMPARTMENT DOOR	2	EA
21	097076435	PLATE COVER ACCESS AL .070X6X28.38	1	EA
NS	47001497	FINGER PULL	1	EA
NS	47001496	LOCK CAM FLAT ZP X 1.38"	1	EA
NS	47001495	LOCK CYLINDER W/2 KEYS	1	EA
25	47008856	VENT	1	EA
26	94010316	BRACKET VENT REINFORCEMENT	2	EA
27	48000504	FILTER FOAM	1	EA
28	47008547	LOUVER ROUND	1	EA
29	47008546	RING LOUVER MOUNTING	1	EA

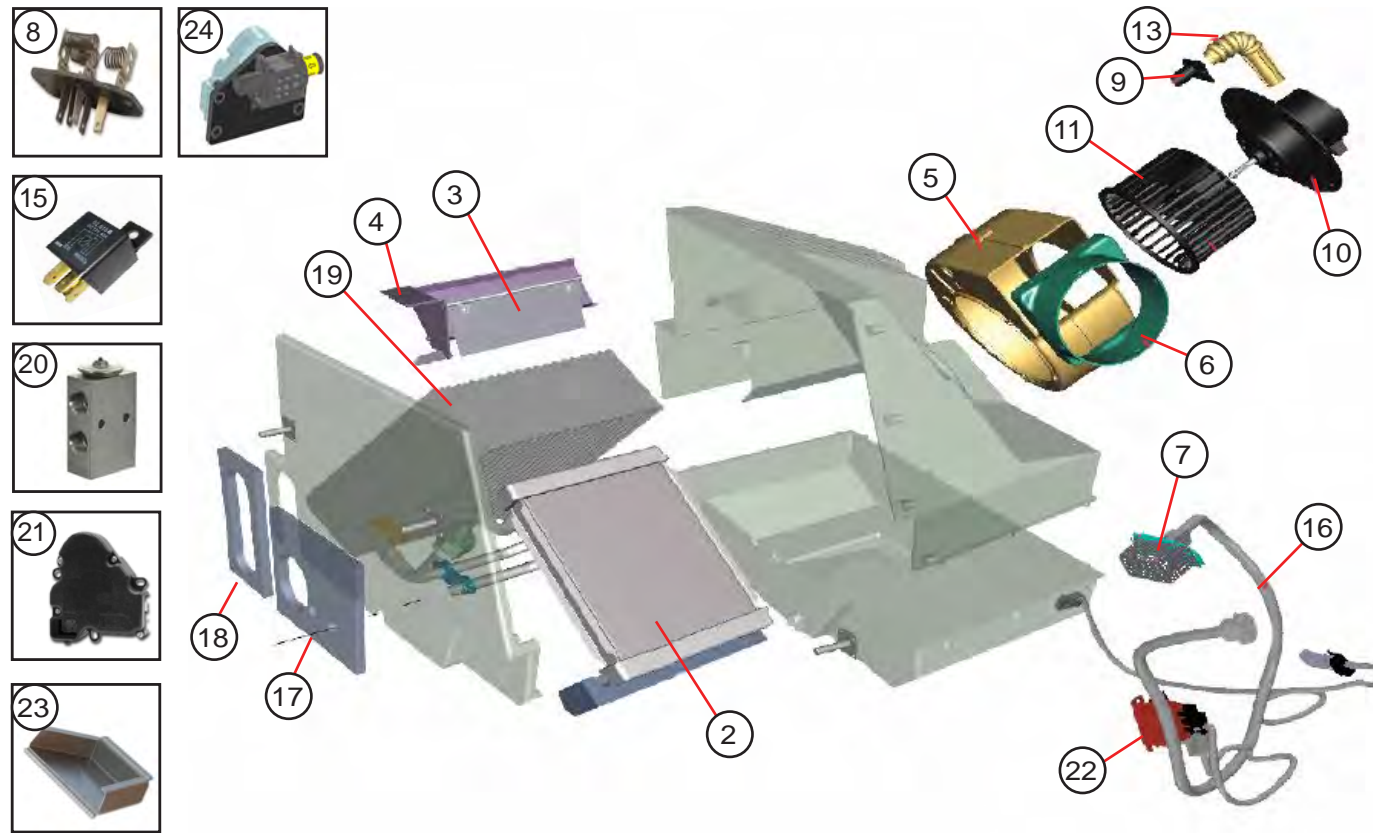
P/N 555001014



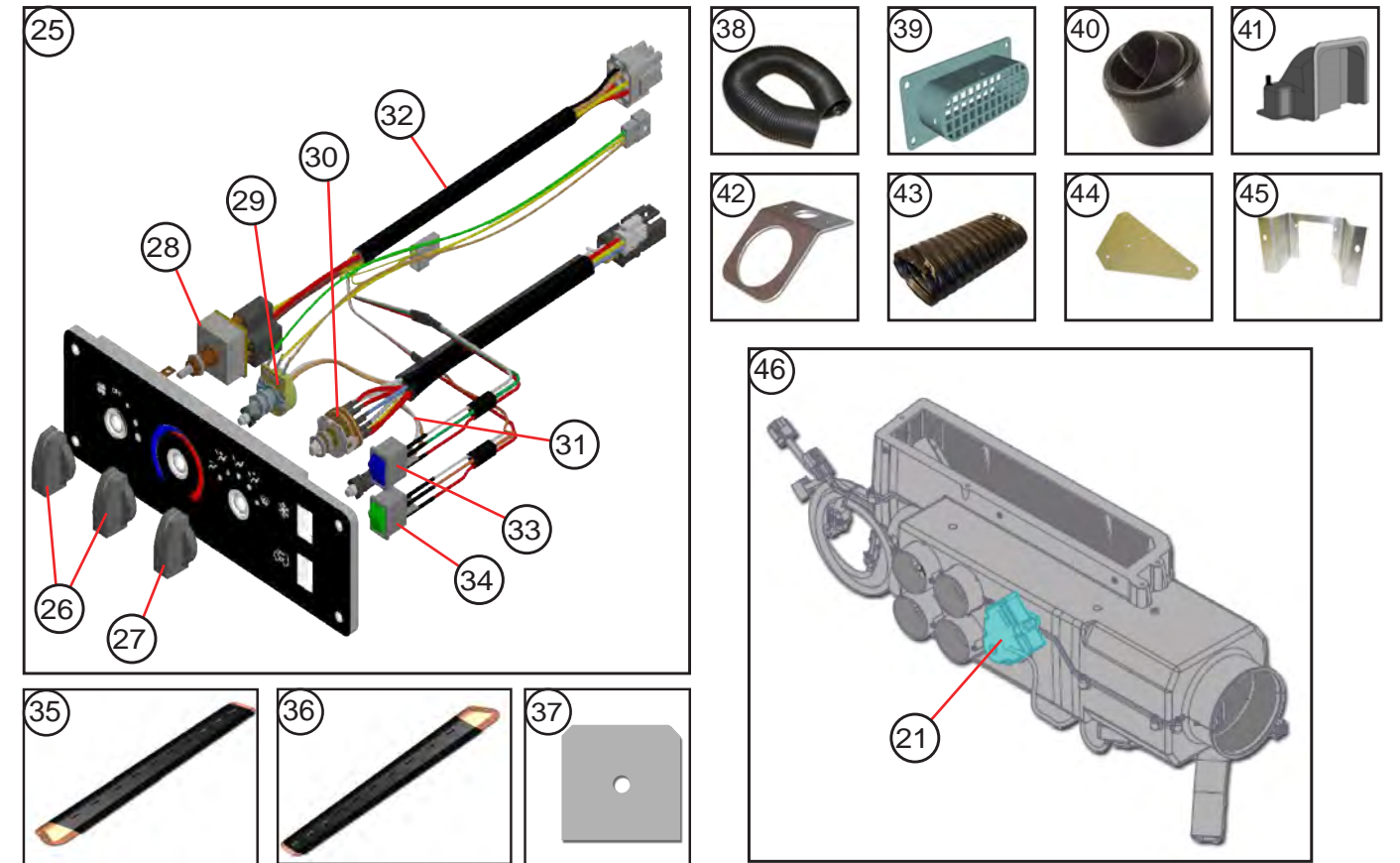
ITEM #	PART #	DESCRIPTION	QTY.	UNIT
1	555001014	HEATER ASSEMBLY	1	EA
2	47008760	HEATER COIL W/GASKET & CLAMP	1	EA
3	47008753	DOOR W/SEAL	1	EA
4	47008754	BLOWER HOUSING	1	EA
5	47008755	BLOWER ADAPTER	1	EA
6	47008732	RESISTER CAGE	1	EA
7	47008357	RESISTER	1	EA
8	46032340	BLOWER MOTOR w/ HARNESS	1	EA
9	47008757	BLOWER WHEEL	1	EA
10	47008730	VENT TUBE	1	EA
11	47008731	VENT TUBE ADAPTOR	1	EA
12	47008716	RELAY	1	EA
13	47008758	HARNESS	1	EA
14	47008580	FORMED HEATER HOSE	2	EA
15	555002053	VALVE WATER	1	EA
16	555001533	HOSE BLOWER HEATER/DEFROSTER 5"X7.5"	1	EA
17	197080500	BRACKET AIR INTAKE AL .102X10.93X17.85	1	EA
18	N/A	HOUSING UPPER - PART OF HEATER ASSEMBLY	1	EA
19	N/A	HOUSING LOWER - PART OF HEATER ASSEMBLY	1	EA
20	N/A	HOUSING BACK - PART OF HEATER ASSEMBLY	1	EA



ITEM #	PART #	DESCRIPTION	QTY	UNIT
0	555001413	CONTROL PANEL HVAC	1	EA
1	47008706	KNOB	3	EA
2	47008707	DECAL	1	EA
3	47008708	LIGHT PANEL	1	EA
4	47008709	CONTROL SUB PANEL	1	EA
5	46023202	BLOWER SWITCH	1	EA
6	47008710	POTENTIOMETER SWITCH	2	EA
7	47008711	HARNESS ILLUMINATION W/BULBS	1	EA
8	47008712	HARNESS BLOWER MOTOR	1	EA
9	555001721	DEFROST DUCT CURBSIDE METAL	1	EA
10	555001722	DEFROST DUCT ROADSIDE METAL	1	EA
11	093080400	HOLD DOWN PLATE DEFROSTER DUCTS	4	EA
12	555001526	HOSE DEFROSTER 2.5X25	1	EA
13	555001524	HOSE DEFROSTER 2.5X30	1	EA
12	555001525	HOSE DEFROSTER 2.5x38	2	EA
15	555002003	COLLER FRESH AIR INTAKE	1	EA
16	555001715	LUVER BALL	6	EA
17	555001322	DUCT PLENUM HVAC	1	EA
18	107027405	BRACKET HEATER VENT	1	EA
20	090080401	VENT FOOT DUMP	1	EA
21	005780402	PLATE MOUNTING FOOT VENT	1	EA
22	002080400	BRACKET WATER VALVE MOUNTING AL .102X3X11.67	1	EA

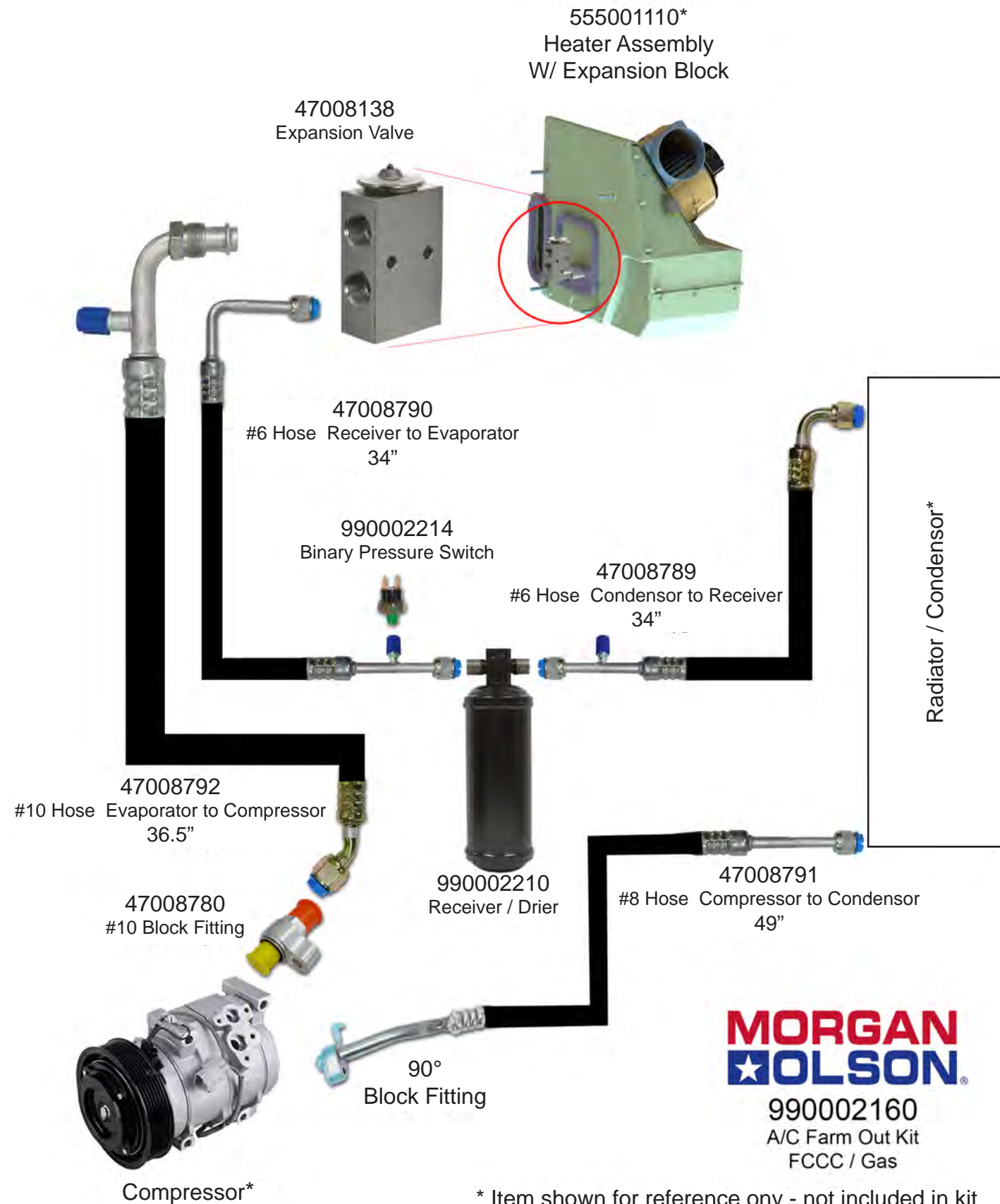


ITEM #	PART #	DESCRIPTION	QTY	UNIT
1	555001110	HEATER ASSEMBLY	1	EA
2	47008760	HEATER COIL WITH GASKETS / CLAMP	1	EA
3	Call	DOOR	1	EA
4	Call	A/C PARTITION	1	EA
5	47008754	BLOWER HOUSING	1	EA
6	47008755	BLOWER ADAPTER	1	EA
7	47008732	RESISTOR CAGE	1	EA
8	47008357	RESISTOR	1	EA
9	47008731	VENT TUBE ADAPTOR	1	EA
10	46032339	BLOWER MOTOR	1	EA
11	47008769	BLOWER WHEEL	1	EA
12	47008799	CLIP, BLOWER MOTOR SHAFT	1	EA
13	47008730	VENT TUBE	1	EA
15	47008716	RELAY	1	EA
16	47008768	HARNESS	1	EA
17	N/A	GASKET (part of housing assembly)	1	EA
18	N/A	GASKET (part of housing assembly)	1	EA
19	47008763	EVAPORATOR COIL ASSEMBLY	1	EA
20	47008138	EXPANSION VALVE	1	EA
21	47008705	ACTUATOR MOTOR	1	EA
22	47008615	THERMOSTAT	1	EA
23	197080500	BRACKET - AIR INTAKE	1	EA
24	555002056	WATER VALVE	1	EA



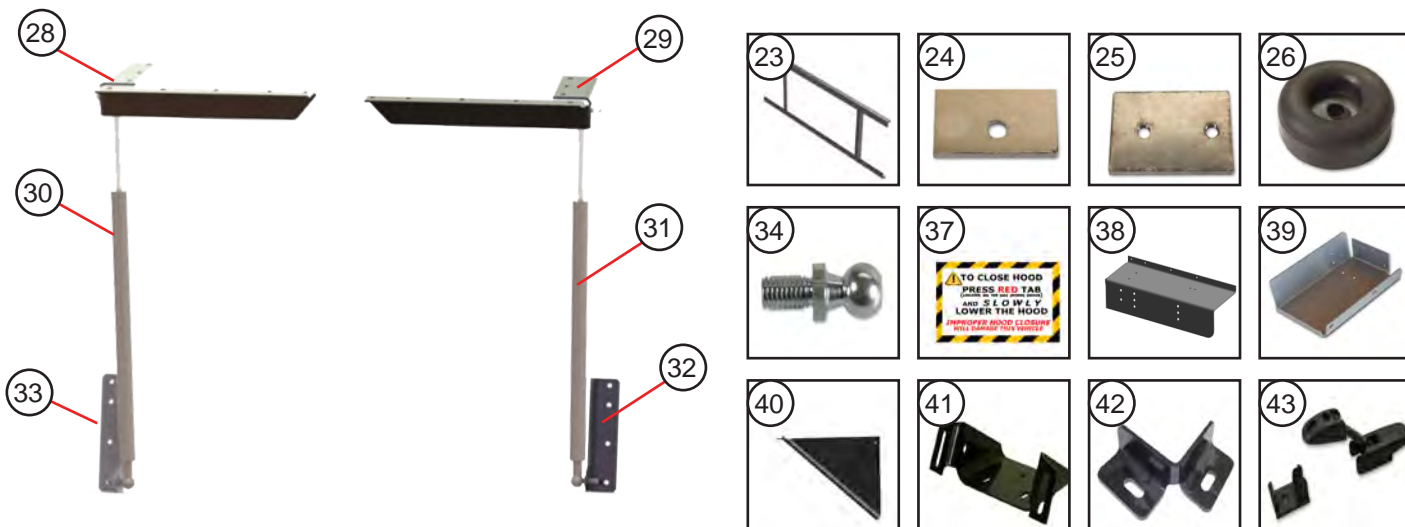
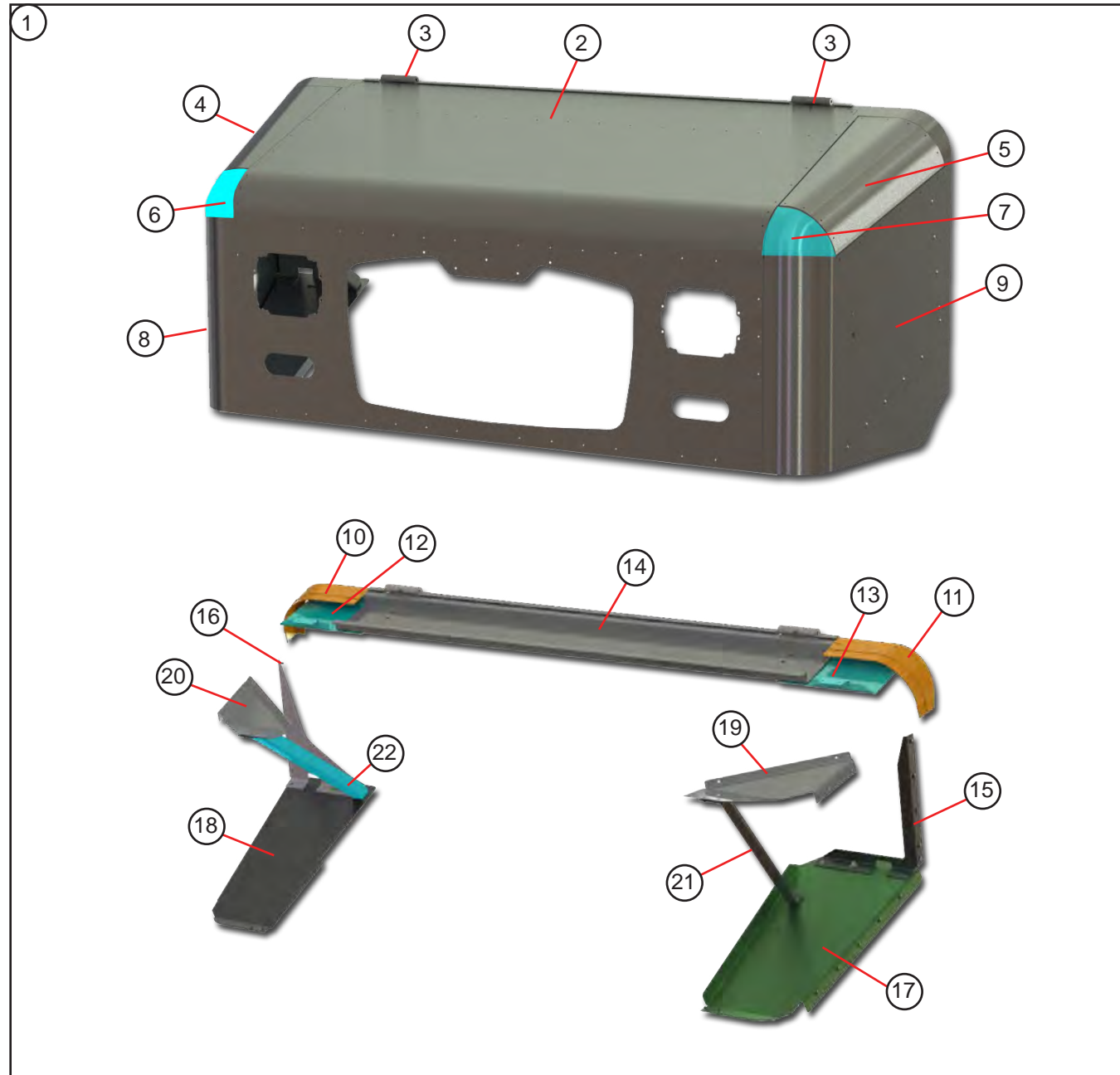
ITEM #	PART #	DESCRIPTION	QTY	UNIT
25	555001416	CONTROL PANEL ASSEMBLY	1	EA
26	47008706	KNOB	2	EA
27	47008735	KNOB - MODE SELECTOR	1	EA
28	46023202	SWITCH - BLOWER SPEED	1	EA
29	47008710	SWITCH - TEMPERATURE CONTROL	1	EA
30	47008774	SWITCH - MODE SELECTOR	1	EA
31	47008711	HARNESS ILLUMINATION	1	EA
32	47008778	HARNESS	1	EA
33	47008775	ROCKER SWITCH BLUE	1	EA
34	47008776	ROCKER SWITCH GREEN	1	EA
35	555001721	DEFROST DUCT CURBSIDE METAL	1	EA
36	555001722	DEFROST DUCT ROADSIDE METAL	1	EA
37	093080400	HOLD DOWN PLATE DEFROSTER DUCTS	4	EA
38	555001523	HOSE DEFROSTER 2.5X16	1	EA
38	555001524	HOSE DEFROSTER 2.5X30	1	EA
38	555001525	HOSE DEFROSTER 2.5X38	3	EA
39	555002003	COLLAR FRESH AIR INTAKE	1	EA
40	555001715	LUVER BALL	6	EA
41	555002007	PLENUM FRESH AIR SIDE WALL	1	EA
42	107027405	BRACKET HEATER VENT	1	EA
43	555001533	HOSE BLOWER HEATER/DEFROSTER 5"X7.5"	1	EA
44	005780402	MOUNTING PLATE	1	EA
45	002080400	BRACKET WATER VALVE	1	EA
46	555001321	DUCT HVAC PLENUM	1	EA

990002160

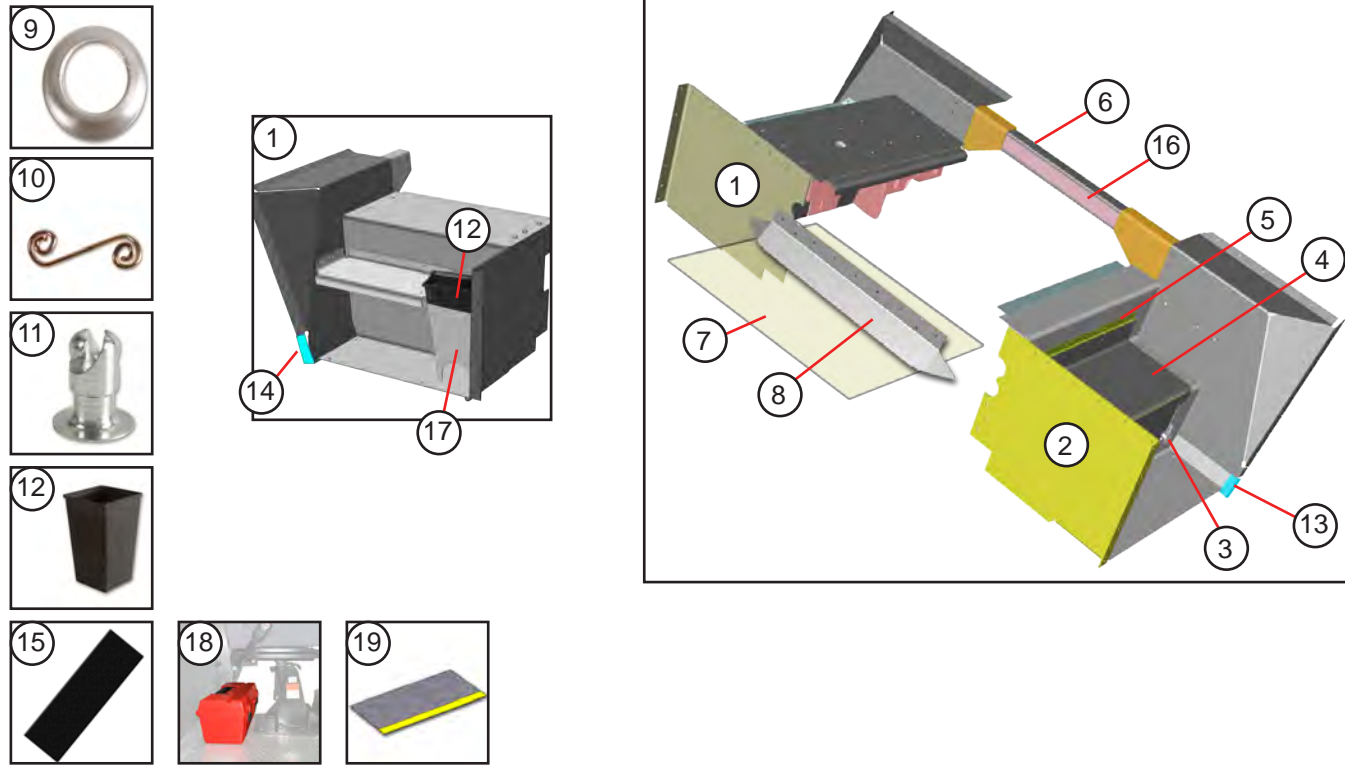


* Item shown for reference only - not included in kit

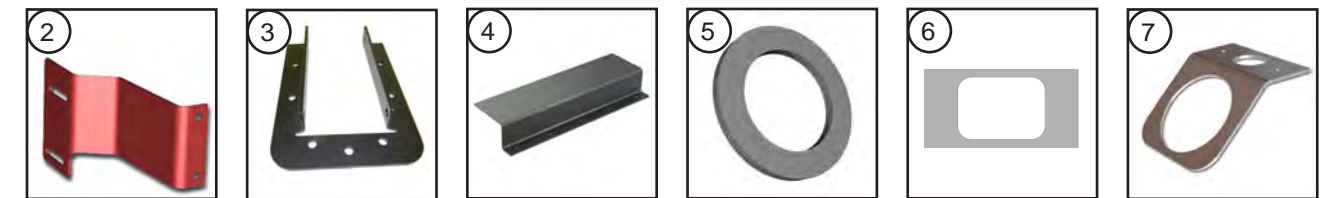
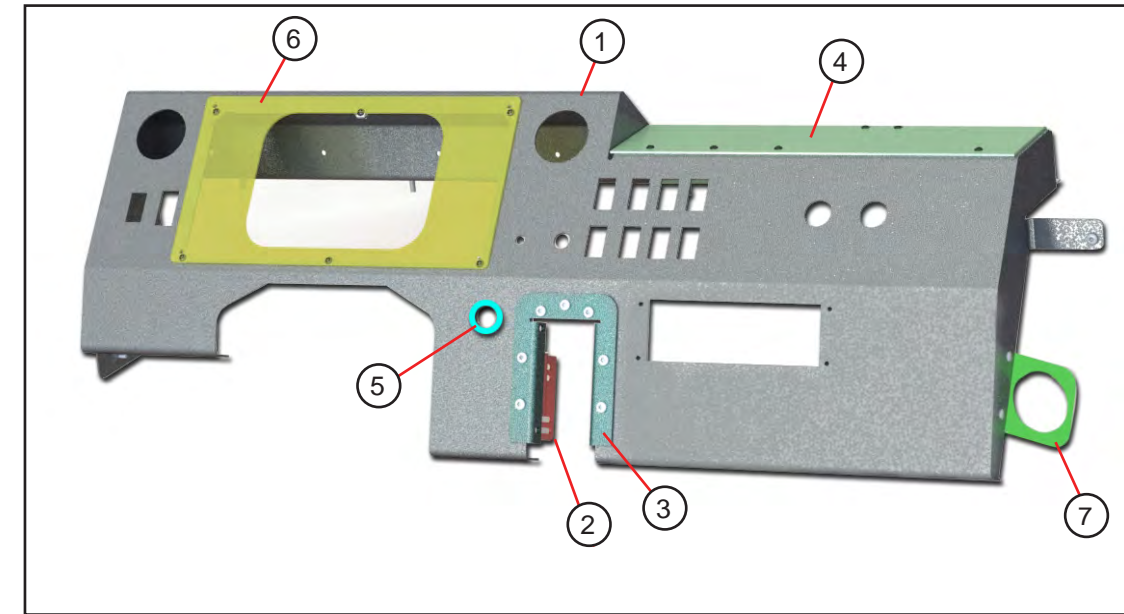
ITEM	PART NUMBER	DESCRIPTION
1	47008789	#6 HOSE ASSEMBLY (CONDENSER TO RECEIVER)
2	47008790	#6 HOSE ASSEMBLY (RECEIVER TO EVAPORATOR)
3	47008791	#8 HOSE ASSEMBLY (COMPRESSOR TO CONDENSOR)
4	47008792	#10 HOSE ASSEMBLY (EVAPORATOR TO COMPRESSOR)
5	990002210	RECEIVER / DRIER
6	990002211	BRACKET RECEIVER / DRIER
7	Call	HARNES JUMPER WIRE
8	Call	WIRE HARNES - PRESSURE SWITCH JUMPER
9	990002214	BINARY PRESSURE SWITCH
10	47008716	RELAY
11	47008780	BLOCK FITTING #10 (COMPRESSOR)
NS	990002217	#6 O-RING
NS	47008153	#8 O-RING
NS	990002218	#10 O-RING
NS	990002216	LABEL, REFRIGERANT



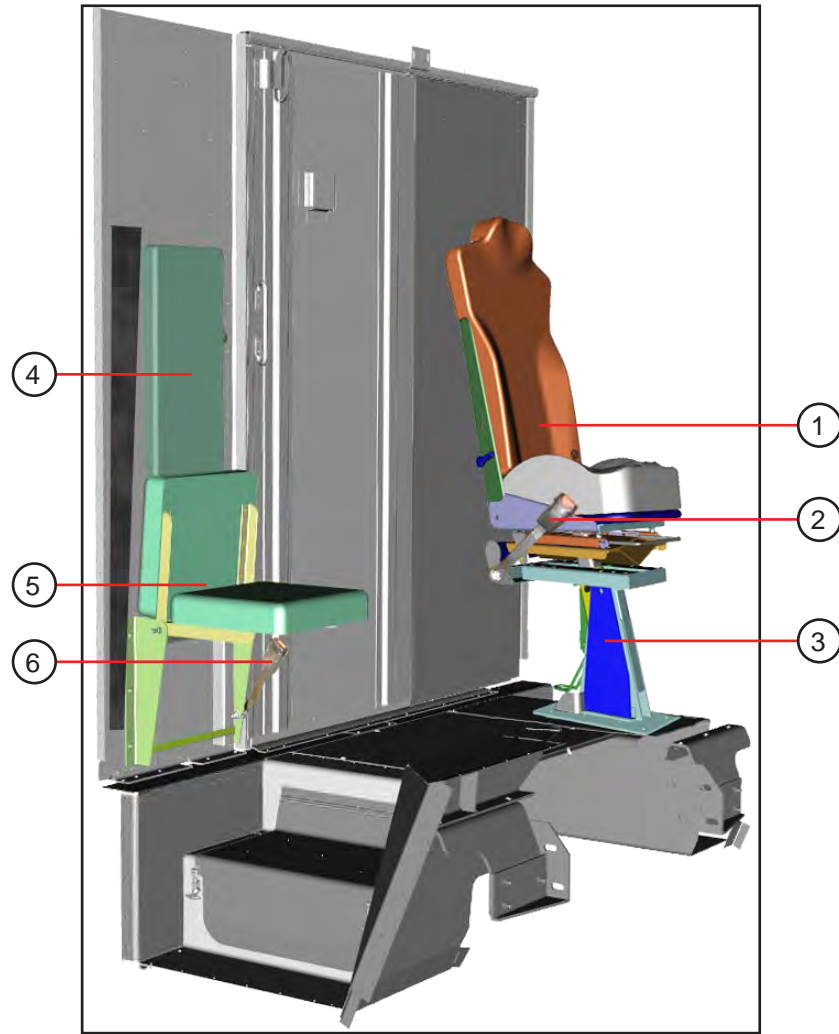
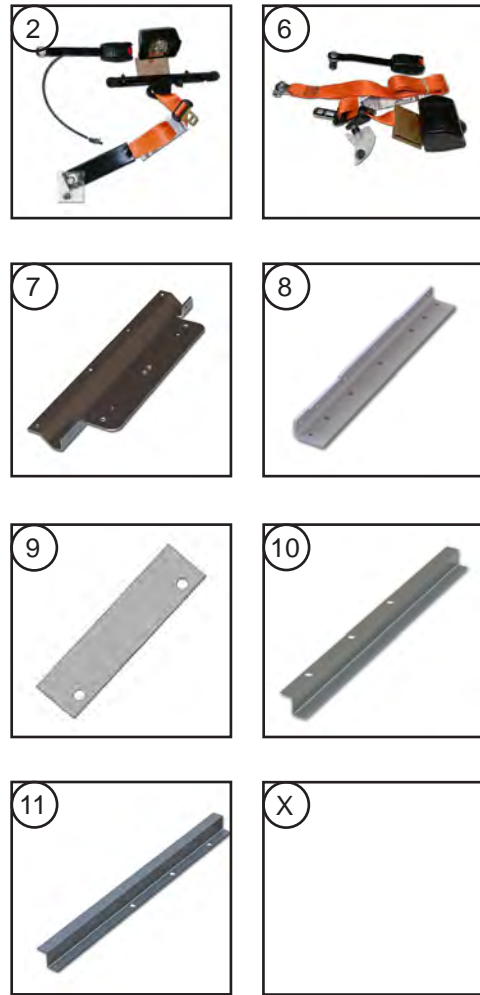
ITEM #	PART #	DESCRIPTION	QTY.	UNIT
1	197017000	HOOD INSTALLATION 88W (ITEMS 1 THRU 26)	1	EA
2	197017400	PANEL HOOD FCC AL .07X53.36X67	1	EA
3	47007852	HINGE COMPLETE ASSEMBLY	2	EA
4	088017417	COWL HOOD AL .07X16.0X22.09 RH	1	EA
5	088017416	COWL HOOD AL .07X16.0X22.09 LH	1	EA
6	45100058	CORNER AL CASTING FRONT RH	1	EA
7	45100057	CORNER AL CASTING FRONT LH	1	EA
8	088017415	SKIRT HOOD AL .07X30.78X33.11 RH	1	EA
9	088017414	SKIRT HOOD AL .07X30.78X33.11 LH	1	EA
10	45100061	CAP AL COWL END AFT RH	1	EA
11	45100060	CAP AL COWL END AFT LH	1	EA
12	115017404	STIFFENER HOOD AL .102X10.98X15 RH	1	EA
13	115017403	STIFFENER HOOD AL .102X10.98X15 LH	1	EA
14	088017419	STIFFENER HOOD AL 450015X63.62	1	EA
15	197017404	SPLASH PAN SUPPORT AL .102X6.7X16.84 LH	1	EA
16	197017406	SPLASH PAN SUPPORT AL .102X13.07X16.84 RH	1	EA
17	197017401	SPLASH PAN AL .102X16.45X26.95 LH	1	EA
18	197017402	SPLASH PAN AL .102X16.45X26.95 RH	1	EA
19	95817312	GUSSET CORNER AL .07X13.52X14.72 LH	1	EA
20	95817313	GUSSET CORNER AL .07X13.52X14.72 RH	1	EA
21	197017405	STRAP SPLASH PAN AL .125X7.83X25.8 LH	1	EA
22	088017438	STRAP SPLASH PAN AL .125X2.98X25.76 RH	1	EA
23	207017200	SUPPORT ASSEMBLY GRILL 88W	1	EA
24	96717312	SHIM HOOD AL .125X.62X1.88	2	EA
25	91617304	PLATE TAP AL .188X2X2.69	2	EA
26	44002004	BUMPER RUBBER HOOD REST	2	EA
NS	45700101	GRILL WIRE MESH 20.5X38.81	1	EA
28	197016402	BRACKET GAS SPRING AL .125X5.1X16.49 RH	1	EA
29	197016401	BRACKET GAS SPRING AL .125X5.1X16.49 LH	1	EA
30	47006116	GAS SPRING W/LK 150LB 28/16.5 IGS	1	EA
31	47006117	GAS SPRING W/O LK 150LB 28/16.5 IGS	1	EA
32	124016404	BRACKET HOOD LOWER AL .188X2.9X6.4 RH	1	EA
33	124016403	BRACKET HOOD LOWER AL .188X2.9X6.4 LH	1	EA
34	40900019	STUD BALL	4	EA
NS	097016404	SUPPORT ANGLE AL .188X1.5X6.29 RH	1	EA
NS	097016405	SUPPORT ANGLE AL .188X1.5X6.29 LH	1	EA
37	43000903	HOOD PROPER INSTRUCTION LABEL	1	EA
38	147026401	SPLASH PAN 88W AL .125X8.47X17.68 RH	1	EA
39	197026400	SPLASH PAN 88W AL .125X11.25X14.33 LH	1	EA
40	147026414	CHANNEL DRIP AL LH (RUBBER PLUG 44002024)	1	EA
41	077150400	SUPPORT HOOD STEEL 11GA X5.53X9.62	2	EA
42	96713300	ANGLE HOOD REST STEEL 11GA X1.85X4.74	2	EA
43	47000613	HOOD LATCH	2	EA



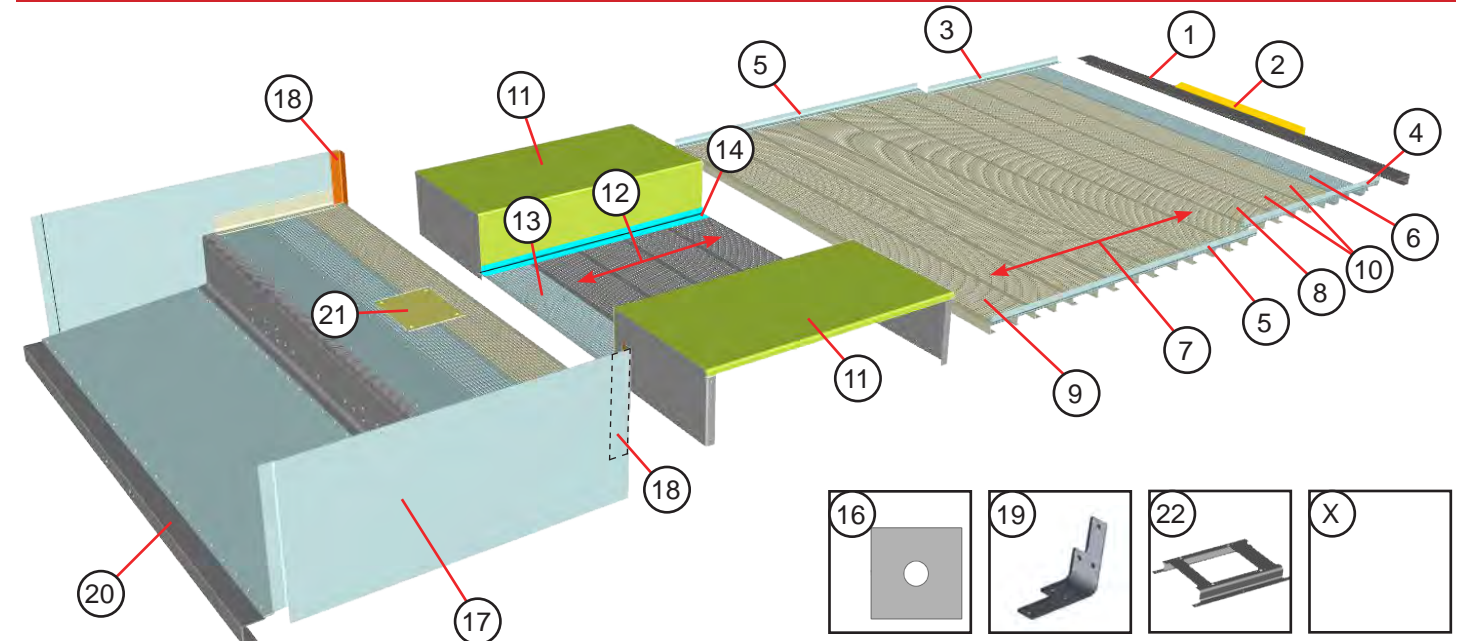
ITEM#	PART #	DESCRIPTION	QTY.	UNIT
1	187024201	STEP ASSEMBLY ROADSIDE	1	EA
2	197024200	STEP ASSEMBLY CURBSIDE	1	EA
3	1113334	LATCH STEPS	2	EA
4	167024405	BATTERY LID AL .125X22.25X23.9	1	EA
5	187024401	HINGE AL .075X1.12X1.75X21	1	EA
6	077240400	CROSS MEMBER CENTER AL 456106X41	1	EA
7	187024200	FLOOR TRANSVERSE ALD .125X26.13X30.88	1	EA
8	208024412	ANGLE FLOOR TRANVERSE AL .102X6.35X38.7	1	EA
9	40900081	GROMMET HALF	7	EA
10	40900082	SPRING	7	EA
11	40900080	STUD	7	EA
12	45200051	TRASH BIN BLACK	1	EA
13	107024415	PLATE FILLER STEP CURBSIDE AL .125X4.02X4.87	1	EA
14	107024416	PLATE FILLER STEP ROADSIDE AL .125X4.02X4.87	1	EA
15	96724608	DAMPENING PAD 45200007X9X20	1	EA
16	077050402	SHIM AL .25X1.62X20.8	1	EA
17	077240433	BRACKET TRASH BIN AL .125X12.83X15.92	1	EA
18	47009608	EMERGENCY KIT 3 FLEX TRIANGLE	1	EA
19	45400586	PLATE STEP FIBERGLASS .17X9.72X19.75 CS UPPER	1	EA
19	45400587	PLATE STEP FIBERGLASS .17X7.38X17.63 RS UPPER	1	EA
19	45400588	PLATE STEP FIBERGLASS .17X9.75X17.63 RS LOWER	1	EA
19	45400589	PLATE STEP FIBERGLASS .17X7.19X23 CS LOWER	1	EA



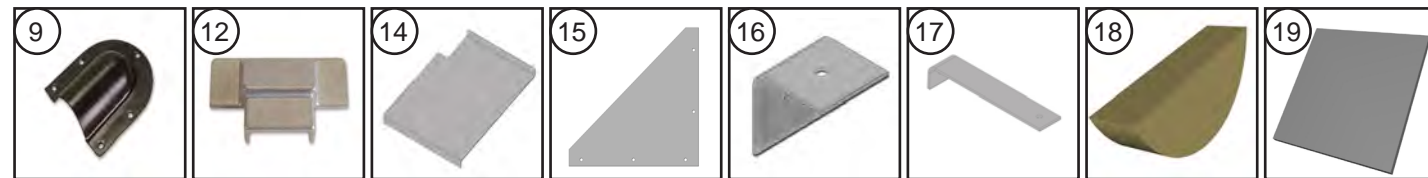
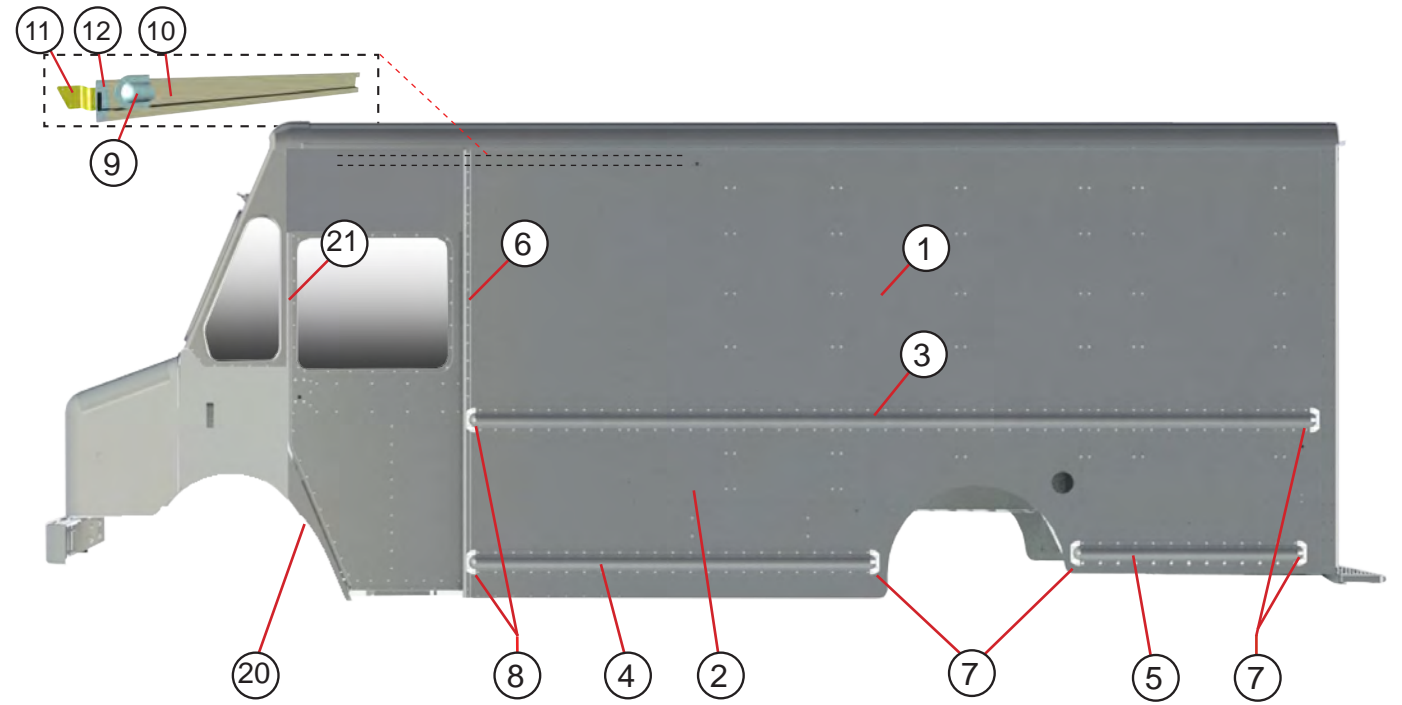
ITEM #	PART #	DESCRIPTION	QTY.	UNIT
1	197027200	INSTRUMENT PANEL WELDMENT	1	EA
2	107027403	BRACE I/P AL.102X3.75X8.43	1	EA
3	002027423	BRACKET SHIFT LEVER	2	EA
4	187027407	I/P COVER PANEL AL .102X8.4X18.5	1	EA
5	006327202	SPACER IGNITION SWITCH	1	EA
6	098027402	PLATE ADAPTOR AL .102X8.25X16	1	EA
7	107027405	BRACKET VENT	1	EA



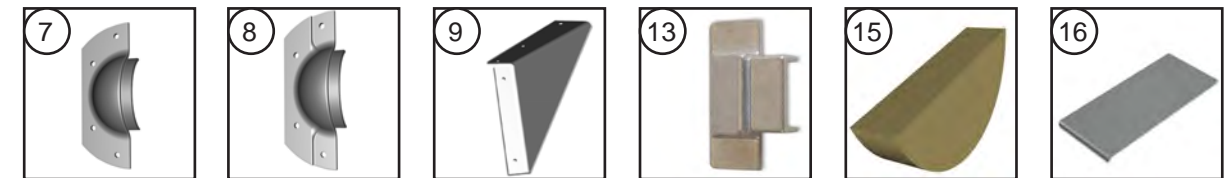
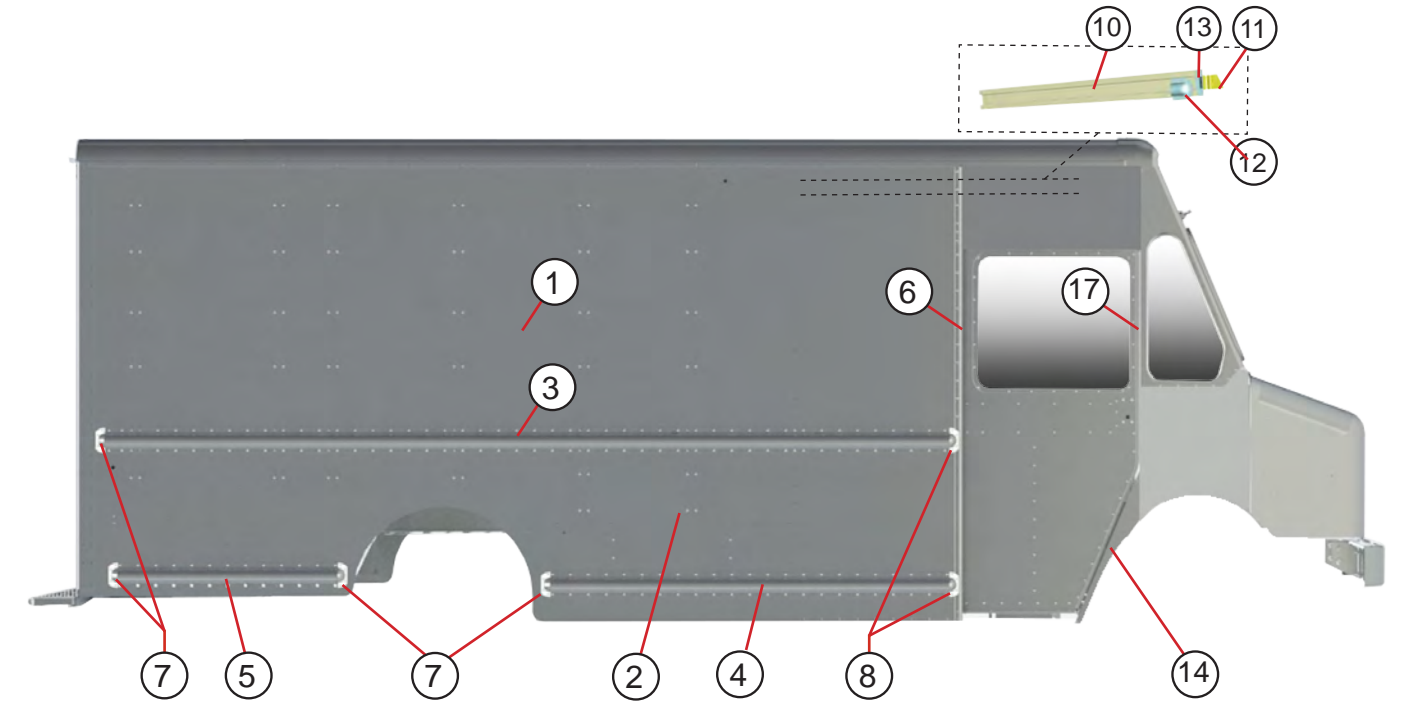
ITEM #	PART #	DESCRIPTION	QTY.	UNIT
1	47003318	HI-BACK SEAT S&P	1	EA
2	47042600	SEAT BELT 7" ADJUSTABLE D LOOP ORANGE	1	EA
3	47012666	SEAT BASE ASSEMBLY	1	EA
4	47002506	HEAD / BACK REST	1	EA
5	47002507	JUMP SEAT	1	EA
6	47004366	3 POINT SEAT BELT W/ BOOT	1	EA
7	005754400	SEATBELT ANCHOR BRACKET	1	EA
8	197068400	ANGLE FLOOR MOUNTING	1	EA
9	128024410	BASE REINFORCEMENT	1	EA
10	197069400	STIFFENER @ BULKHEAD FOR JUMP SEAT RH	1	EA
11	197069401	STIFFENER @ BULKHEAD FOR JUMP SEAT LH	2	EA



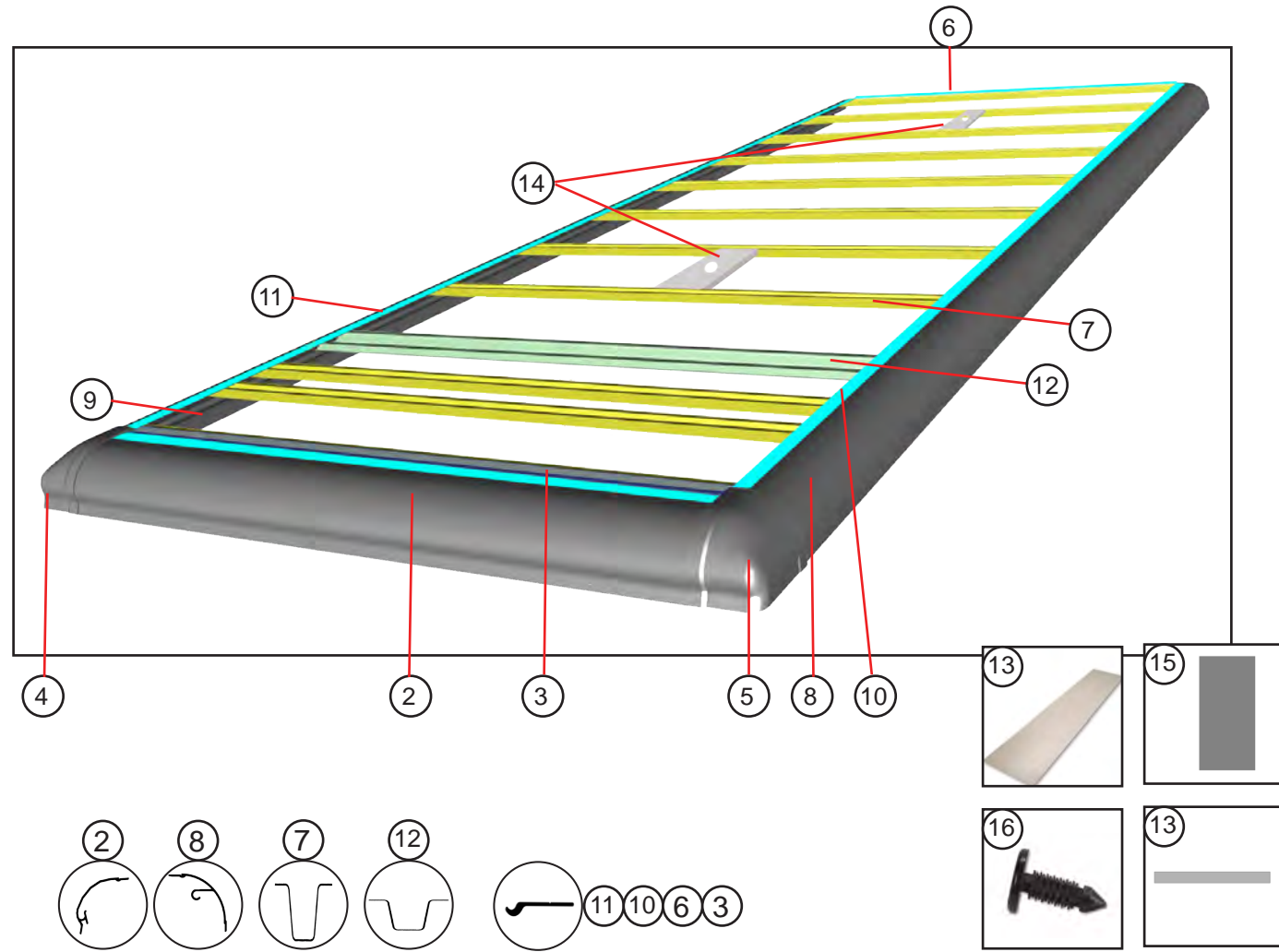
ITEM #	PART #	DESCRIPTION	QTY.	UNIT
1	197031400	BEAM @ O /LINE AL 480000X81.38	1	EA
2	001730416	ANGLE STEP AL 450187X33.38	1	EA
3	181030400	ANGLE FLOOR @ DOOR/POCKETS 450303X36.5 LH	1	EA
4	181030401	ANGLE FLOOR @ DOOR/POCKETS 450303X36.5 RH	1	EA
5	127031400	ANGLE FLOOR AL 450303X59.38	2	EA
6	45058300	BEAM AL FLOOR RIBBED FEM/LAP 7X81.25	1	EA
7	45058601	BEAM AL FLOOR RIBBED M/FEM 9X87.25	4	EA
8	45058402	BEAM AL FLOOR RIBBED M/FEM 8X87.25	2	EA
9	45058700	BEAM AL FLOOR RIBBED M/FEM 8.5X87.25	1	EA
10	45058413	BEAM AL FLOOR RIBBED M-FEM 8X81.25	3	EA
11	117032200	WHEEL BOX ASSEMBLY	2	EA
12	45058611	BEAM AL FLOOR RIBBED M-FEM 9X40.44	4	EA
13	45058502	BEAM AL FLOOR RIBBED M-M 8X40.44	1	EA
14	95869302	ANGLE WHEEL BOX ALE 450018X42	2	EA
16	40000102	SPACER TIE/DOWN .375HR CP.56IDX2X2SQ	2	EA
17	197078200	FLOOR DROP WELDMENT	1	EA
18	094078417	ANGLE SUPPORT AL 450523X9.75	2	EA
19	157033401	BRACKET SILL AL .25X2.75X13.46	2	EA
20	197078400	SILL CROSSMEMBER AL456149X87.5	1	EA
21	128012421	PLATE ACCESS COVER ALD .125X9.61X11.62	1	EA
22	128012408	SUPPORT ACCESS COVER AL .125X14.54X18.6	1	EA



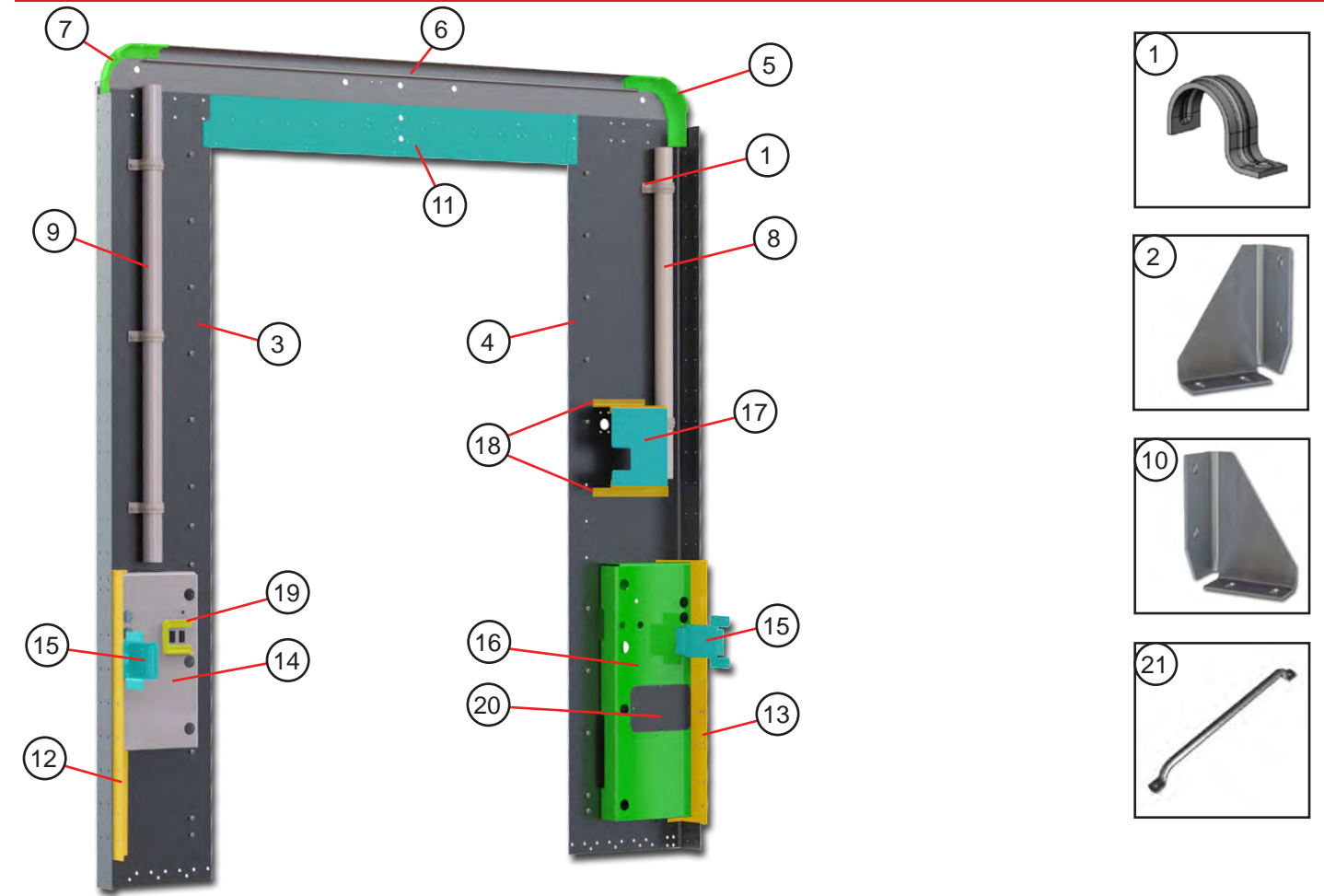
ITEM #	PART #	DESCRIPTION		QTY.	UNIT
1	197038411	SIDE PANEL UPPER	AL .102X60X196.32 L/R	1	EA
2	197037500	SIDE PANEL LOWER	AL .102X38.79X196.32 LH	1	EA
3	127038402	RUB RAIL	AL 450002X188.38	1	EA
4	127037406	RUB RAIL LOWER FWD	AL 450002X99	1	EA
5	187037402	RUB RAIL LOWER REAR	AL 450002X49	1	EA
6	107400400	B POST ROADSIDE	ALE 450274X101.12	1	EA
7	1100799	RUBRAIL CAP REAR	AL .125X2.37X5.5	4	EA
8	1100800	RUBRAIL CAP FWD	AL .125X2.37X5.5	2	EA
9	47008533	VENT END CAP PLASTIC		1	EA
10	187042400	STIFFENER HEADER	AL 450328X73.75	1	EA
11	187042402	ZEE CLIP	AL .102X3X9.57	1	EA
12	45100074	CAP RAIL END (INTERIOR - @HEADER STIFFENER)		1	EA
NS	96739300	SIDE GUSSET ROADSIDE	AL .102X10.34X10.99	2	EA
14	157026403	SPLASH/PAN FUEL/FILL	AL .07X24.71X27.52	1	EA
15	187026401	SPLASH/PAN EXTENTION	AL .125X17.81X19.93	1	EA
16	82312025	SUPPORT SPLASH/PAN	AL .07X1.5X2.84	2	EA
17	118012401	SUPPORT FUEL/FILL	AL .102X1X5.02	1	EA
18	45900001	PLUG WD RUB RAIL	.75X1.12X2.9	2	EA
19	107037450	PLATE FILLER	AL .125X3X3.38	2	EA
20	107022400	SKIRT TAIL	AL 07X5.19X37.38	1	EA
21	47001084	GRAB HANDLE		1	EA



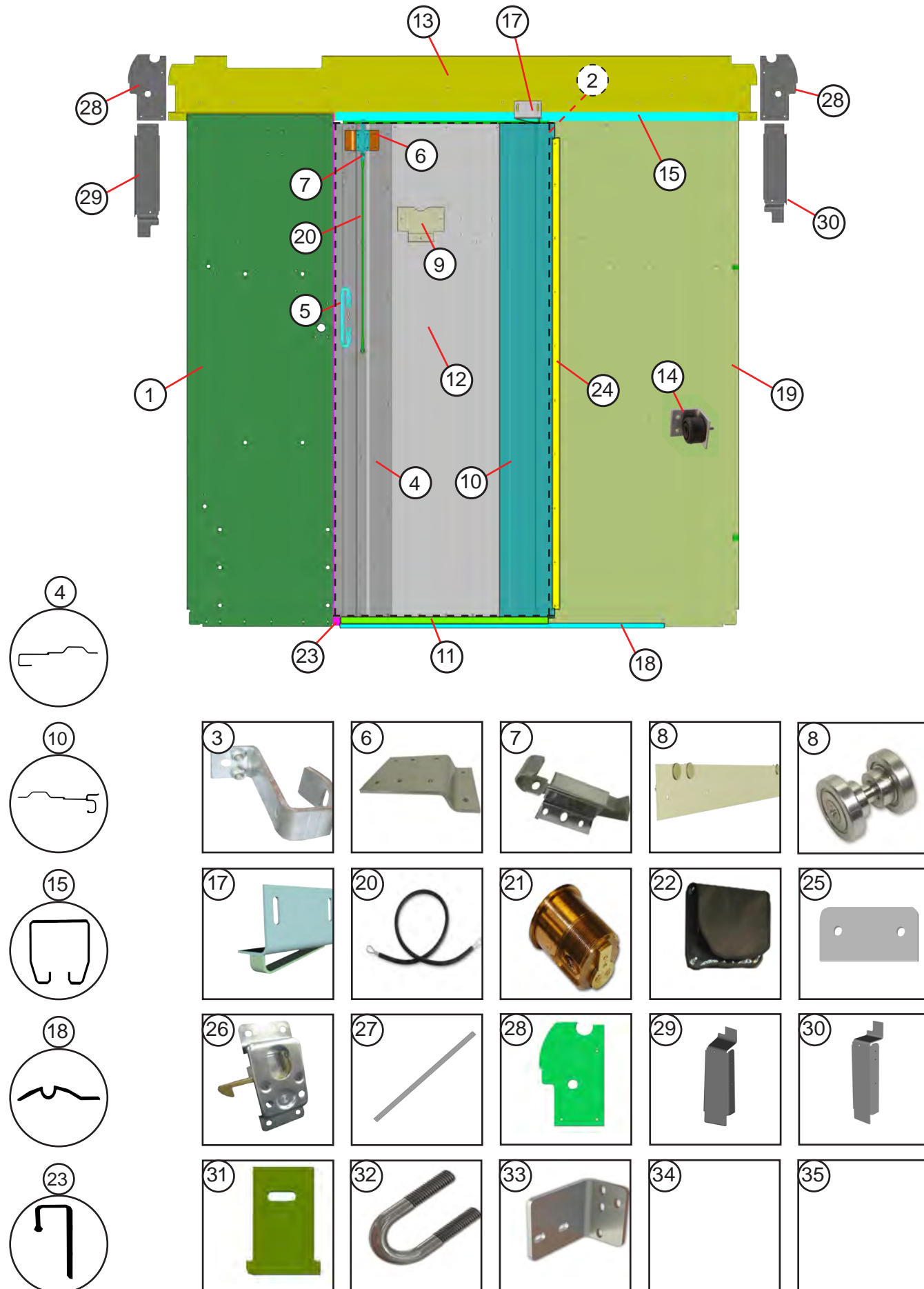
ITEM #	PART #	DESCRIPTION		QTY	UNIT
1	197038411	SIDE PANEL UPPER	AL .102X60X196.32L/R	1	EA
2	197037501	SIDE PANEL LOWER	AL .102X38.79X196.32	1	EA
3	127038402	RUBRAIL	AL 450002X188.38	1	EA
4	127037406	LOWER RUBRAIL FWD	AL 450002X89	1	EA
5	187037402	LOWER RUBRAIL REAR	AL 450002X49	1	EA
6	107400401	"B" POST RH	ALE 450274X101.12	1	EA
7	1100799	RUBRAIL CAP REAR	AL .125X2.37X5.5	4	EA
8	1100800	RUBRAIL CAP FWD	AL .125X2.37X5.5	2	EA
9	96739301	SIDE GUSSET RH	AL .102X10.34X10.99	2	EA
10	187042401	STIFFENER HEADER	AL 450328X73.75	1	EA
11	187042402	ZEE CLIP	AL .102X3X9.57	1	EA
12	47008533	VENT END CAP PLASTIC		1	EA
13	45100074	RAIL CAP END (INTERIOR @ HEADER STIFFENER)		1	EA
14	107022401	SKIRT TAIL	AL 07X5.19X37.38	1	EA
15	45900001	PLUG WD RUB RAIL	.75X1.12X2.9	2	EA
16	197026401	GUARD CAMERA MID	AL .07X5.76X11.24	2	EA
16	197026402	GUARD MARKER LAMP	AL .07X9.75X23.06	2	EA
17	47001084	GRAB HANDLE		1	EA



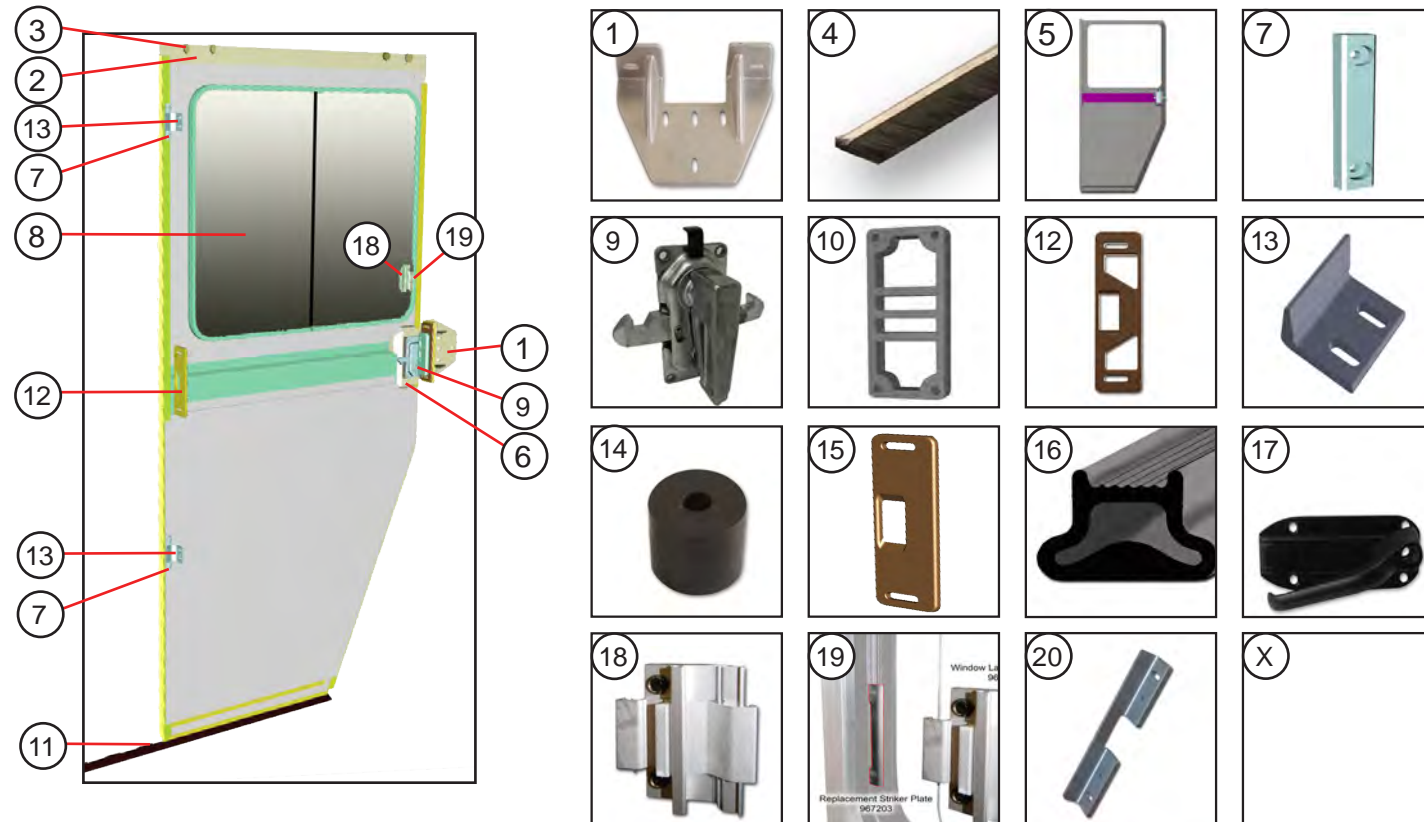
ITEM #	PART #	DESCRIPTION	QTY.	UNIT
2	083010401	NOSE AL 456107X77.5	1	FT
3	001710407	INTERLOCK NOSE ROOF AL 45014X77.38	1	EA
4	077100401	CORNER CASTING FRONT CURBSIDE	1	EA
5	077100400	CORNER CASTING FRONT ROADSIDE	1	EA
6	001710408	INTERLOCK TRANSOM ROOF AL 450140X74.88	1	EA
7	45601604	BEAM ROOF SEC456016 X84.12	10	EA
8	127010403	RAIL ROOF ROADSIDE AL456144X232.25	1	EA
9	127010404	RAIL ROOF CURBSIDE AL456144X232.25	1	EA
10	127010405	INTERLOCK ROOF ROADSIDE AL450140X232.25	1	EA
11	127010406	INTERLOCK ROOF CURBSIDE AL450140X232.25	1	EA
12	001710410	BEAM ROOF STEEL GALV 14GAX8.33X84.12	1	EA
13	45200847	ROOF SKIN FIBERGLASS RF RISC .075X77XFT	19.8	FT
14	96710324	DOME LAMP BRACKET AL.102X9X27.19	2	EA
15	42002025	ROOF LINER CAB 38.75X79.88	1	EA
16	47006610	CLIP PLASTIC	48	EA
17	108011410	FILLER - ROOF LINER AL .07X3X37.5	2	EA
NS	1109001	INSULATION FIBERGLASS 48" X (FT)	5.3	FT



ITEM #	PART #	DESCRIPTION	QTY.	UNIT
1	40400054	CLAMP CONDUIT 2.375 DIA	5	EA
2	187050407	ANGLE SUPPORT AL .102X5.11X6.11 LH	1	EA
3	197050404	PANEL BACK AL .188X20.04X95 RH	1	EA
4	197050402	PANEL BACK AL .188X22.04X95 LH	1	EA
5	45100098	CORNER AL CAST ROOF REAR LH	1	EA
6	167050414	TRANSOM AL 450352X86.63	1	EA
7	45100099	CORNER AL CAST ROOF REAR RH	1	EA
8	167050406	CONDUIT WIRING BACK 45200375X43	1	EA
9	167050407	CONDUIT WIRING BACK 40400054X57	1	EA
10	187050408	ANGLE SUPPORT AL .102X5.11X6.11 RH	1	EA
11	197050405	PLATE HEADER AL.188X6.43X56.26	1	EA
12	177050415	REINFORCEMENT INNER AL .188X9.35X34 RH	1	EA
13	177050414	REINFORCEMENT INNER AL .188X9.35X34 LH	1	EA
14	197050403	GUARD LAMP REAR AL .102X15.84X24.01 RH	1	EA
15	187050412	GUARD LAMP SIDE AL .102X8.76X10.07	2	EA
16	197050407	GUARD LAMP REAR AL .102X16.99X36.01 LH	1	EA
17	197050409	PANEL ACCESS RUD LOCK GUARD AL .102X9X10	1	EA
18	197050410	BRACKET RUD LOCK GUARD AL .102X5.27X9	2	EA
19	197050412	SWITCH COVER AL .102X2X11.52	1	EA
20	097076436	PLATE COVER ACCESS AL .070X6X10	1	EA
21	47001085	GRAB HANDLE 1" X 27"	2	EA

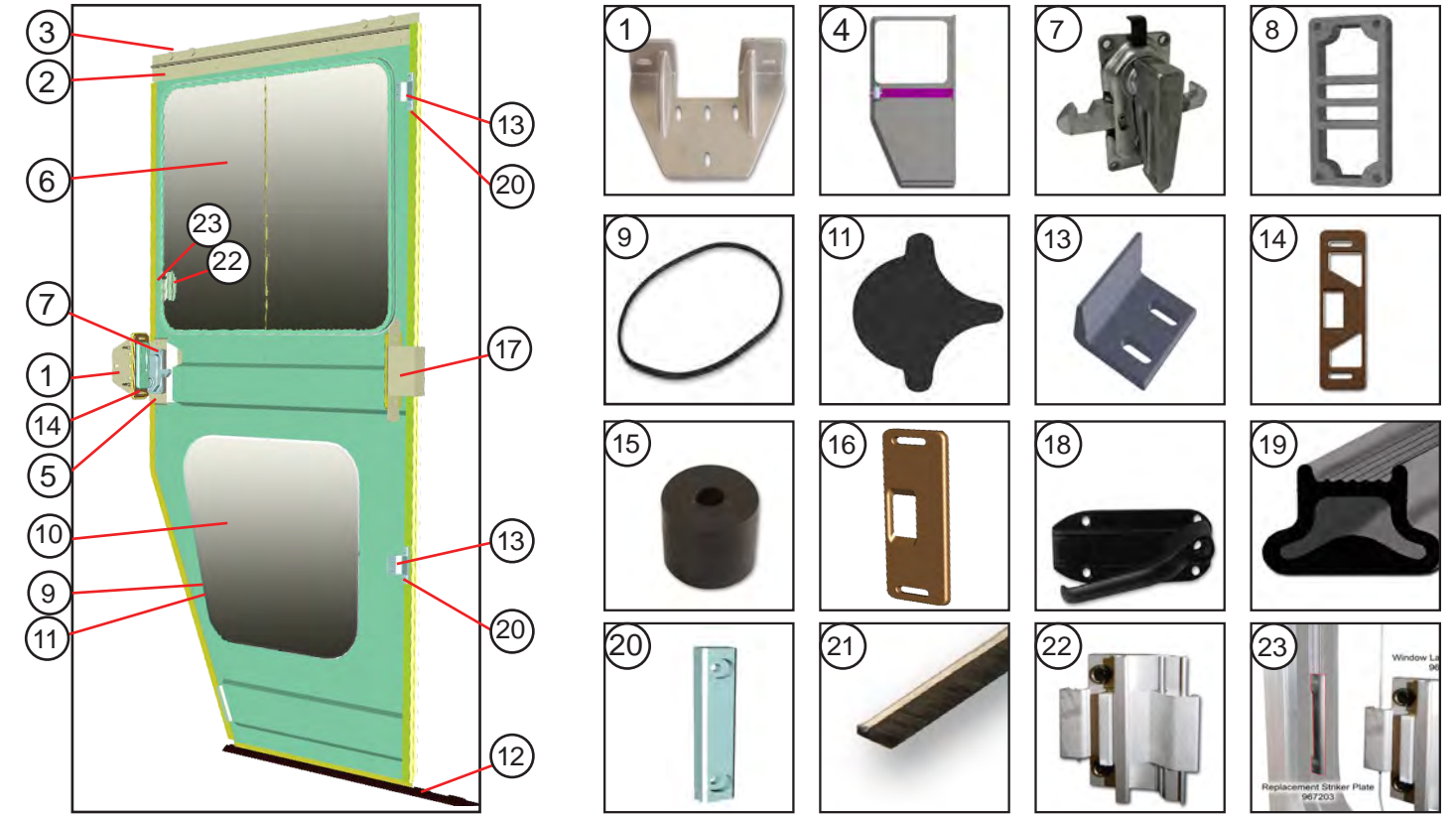


ITEM #	PART #	DESCRIPTION	QTY.	UNIT
1	197070405	BULKHEAD PANEL CURBSIDE	1	EA
2	197070201	BULKHEAD DOOR ASSEMBLY	1	EA
3	005770402	STRIKER BULKHEAD LATCH	1	EA
4	147070403	EDGE BULKHEAD DOOR CURBSIDE	1	EA
5	90187300	GRAB HANDLE	1	EA
6	92537309	LATCH MOUNTING PLATE	1	EA
7	1113046	FINGER LATCH	1	EA
8	147070201	HANGER ASSEMBLY (BEARINGS - 47006595 X 4 PAIR)	1	EA
9	96770314	HAZARDOUS MATERIAL DOCUMENT HOLDER	1	EA
10	96770306	EDGE BULKHEAD DOOR ROADSIDE	1	EA
11	96770304	WEAR STRIP / GUIDE BULKHEAD DOOR	1	EA
12	96770303	PANEL DOOR AL	1	EA
13	197070406	HEADER BULKHEAD ZEE	1	EA
14	5903152	DOOR STOP ASSEMBLY	1	EA
15	005770200	DOOR TRACK ASSEMBLY	1	EA
17	001770207	STRIKER ASSEMBLY	1	EA
18	96770316	DOOR GUIDE @ FLOOR	1	EA
19	197070404	BULKHEAD PANEL ROADSIDE	1	EA
20	1113600	PULL CABLE ASSEMBLY	1	EA
21	1113456	LOCK CYLINDER ASSEMBLY	1	EA
22	47009079	DOCUMENT POUCH	1	EA
23	087070408	DOOR JAMB AL 450326X74.37 CURBSIDE	1	EA
24	96770311	CHANNEL BULKHEAD AL 450502X69.75 ROADSIDE	1	EA
25	96770313	SPACER PLATE	4	EA
26	1113457	LATCH GATE	1	EA
27	147070402	SHIM BULKHEAD DOOR	1	EA
28	177070401	PLATE BULKHEAD HEADER	2	EA
29	177070404	COVER HEADER AL .055X3.83X14.32 RH	1	EA
30	177070403	COVER HEADER AL .055X3.83X14.32 LH	1	EA
31	177070402	PLATE SEAL DOOR POCKET	2	EA
32	40300931	U BOLT (STRIKER)	1	EA
33	197147408	BRACKET U-BOLT MOUNTING (STRIKER)	1	EA
34				EA
35				EA

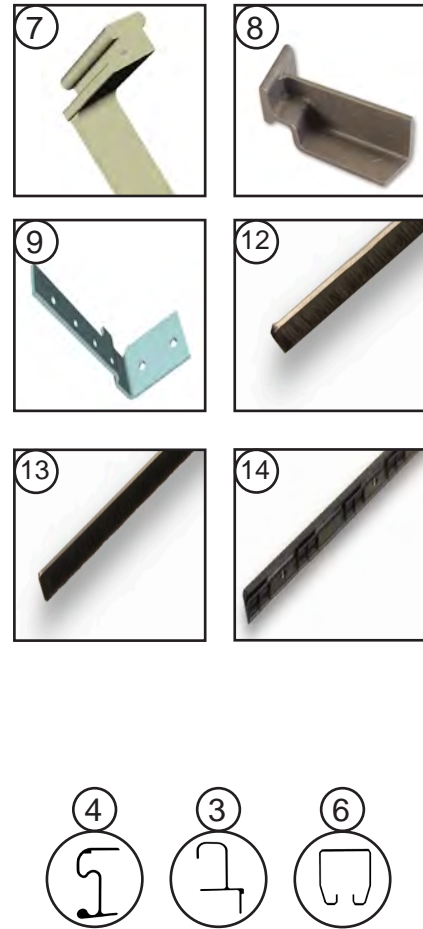
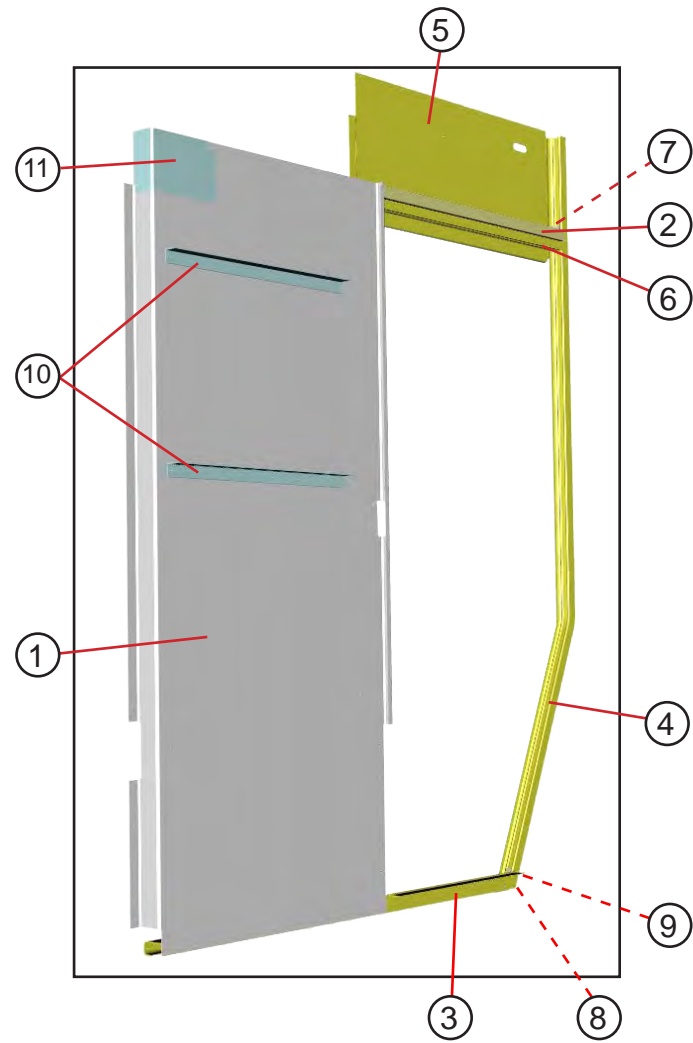


ITEM #	PART #	DESCRIPTION	QTY.	UNIT
1	45100094	STRIKER BRACKET	1	EA
2	96760203	HANGER ASSEMBLY	1	EA
3	47006595	BEARING	4	PR
4	44008050	SEAL BRUSH TYPE B 1X42	1	EA
5	197041202	DOOR ASSEMBLY ROADSIDE	1	EA
6	96760316	COVER INNER MECHINISM	1	EA
7	45200206	SPACER ANTI RATTLE D/S NYLON	1	EA
8	13342990002	WINDOW SLIDING LH	1	EA
9	45100168	LOCK MECHINISM	1	EA
10	087181	SPACER DOOR LATCH	1	EA
11	47002766	DOOR GUIDE NYLON	1	EA
12	170060400	STRIKER BRONZE	2	EA
13	45300377	CLIP ANTI RATTLE	2	EA
14	44002011	RUBBER BUMPER	1	EA
15	45100093	STRIKER	1	EA
16	44004104	SEAL DOOR RUBBER FWD	1	EA
17	47000689	HANDLE BLACK (LOCK CYLINDER - 47001181)**	1	EA
18	967110	LATCH SLIDING WINDOW	1	EA
19	967203	STRIKER PLATE - WINDOW LATCH	1	EA
20	198041400	DOOR STEEL STRIKER MOUNT	1	EA

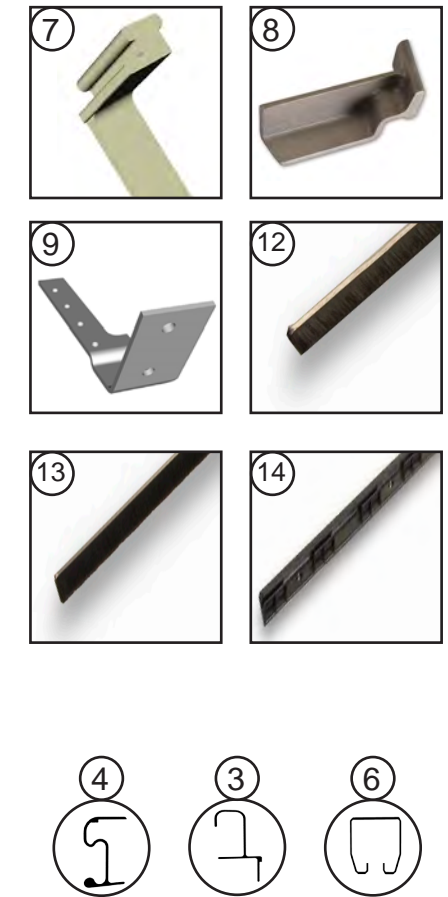
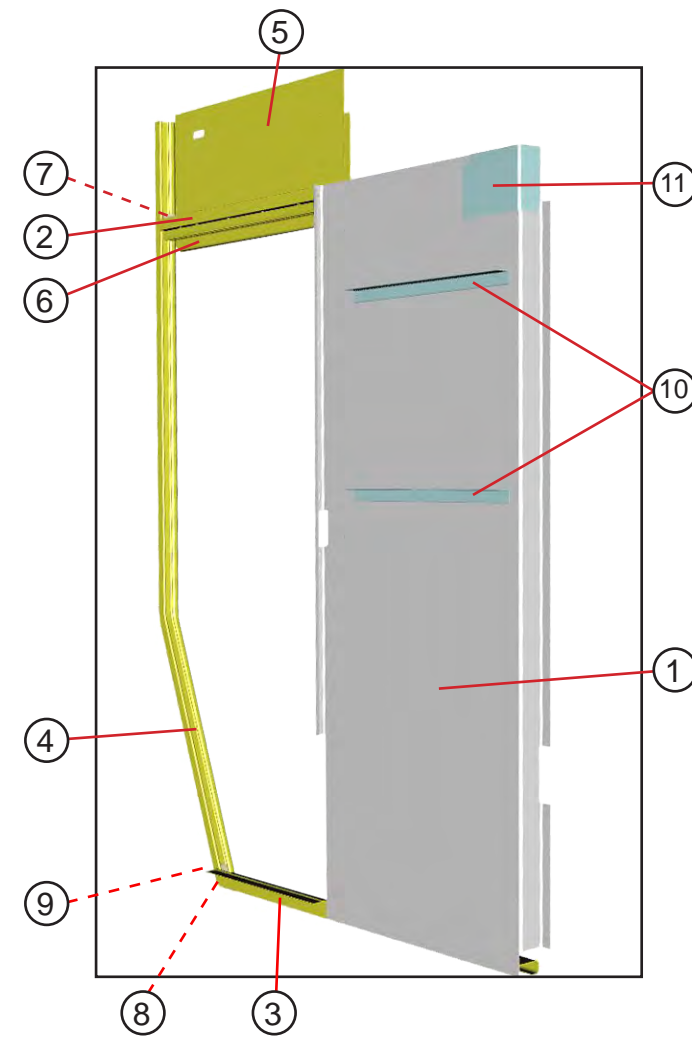
** Lock Cylinder - Call with key number stamped on key or on lock face / or select from available key numbers online.



ITEM #	PART #	DESCRIPTION	QTY.	UNIT
1	45100094	BRACKET STRIKER	1	EA
2	96760203	HANGER ASSEMBLY	1	EA
3	47006595	BEARING	4	PR
4	197041203	DOOR ASSEMBLY CURBSIDE	1	EA
5	96760317	COVER INNER MECHINISM	1	EA
6	13342990001	WINDOW SLIDING RH	1	EA
7	45100168	LOCK MECHINISM	1	EA
8	087181	SPACER DOOR LATCH	1	EA
9	44004262	WEATHER STRIPPING FLUSH MOUNT	1	EA
10	1111637	GLASS LOWER	1	EA
11	44004200	FILLER STRIP RUBBER	7.59	FT
12	47002766	DOOR GUIDE NYLON	1	EA
13	45300377	CLIP ANTI RATTLE	2	EA
14	170060400	STRIKER BRONZE	1	EA
15	44002011	RUBBER BUMPER	1	EA
16	45100093	STRIKER	1	EA
17	197041402	DOOR STEEL STRIKER MOUNT	1	EA
18	47000689	HANDLE BLACK (LOCK CYLINDER - 47001181)**	1	EA
19	44004104	SEAL DOOR RUBBER FWD	1	EA
20	45200206	SPACER ANTI RATTLE CLIP NYLON	2	EA
21	44008050	SEAL BRUSH TYPE B	1	EA
22	967110	LATCH - SLIDING WINDOW	1	EA
23	967203	STRIKER PLATE - WINDOW LATCH	1	EA



ITEM #	PART #	DESCRIPTION	QTY.	UNIT
1	197041400	DOOR POCKET PANEL ROADSIDE	1	EA
2	96741302	HEADER CHANNEL ROADSIDE	1	EA
3	157041402	STEP NOSE ROADSIDE	1	EA
4	157041400	DOOR POST ROADSIDE	1	EA
5	157041409	HEADER PANEL ROADSIDE	1	EA
6	96741202	DOOR TRACK ASSEMBLY	1	EA
7	45100048	GUSSET HEADER CHANNEL TO DOOR POST ROADSIDE	1	EA
8	45100104	CASTING DOOR POST LOWER	1	EA
9	001741407	REINFORCEMENT A-POST ROADSIDE	1	EA
10	157041404	ANGLE SHELF SUPPORT	2	EA
11	188041401	COVER DOOR POCKET ROADSIDE	1	EA
12	44008050	SEAL BRUSH TYPE B	1	EA
13	44004060	SEAL BRUSH TYPE C	1	EA
14	47002766	GUIDE DOOR LOWER NYLON MOULDED	1	EA

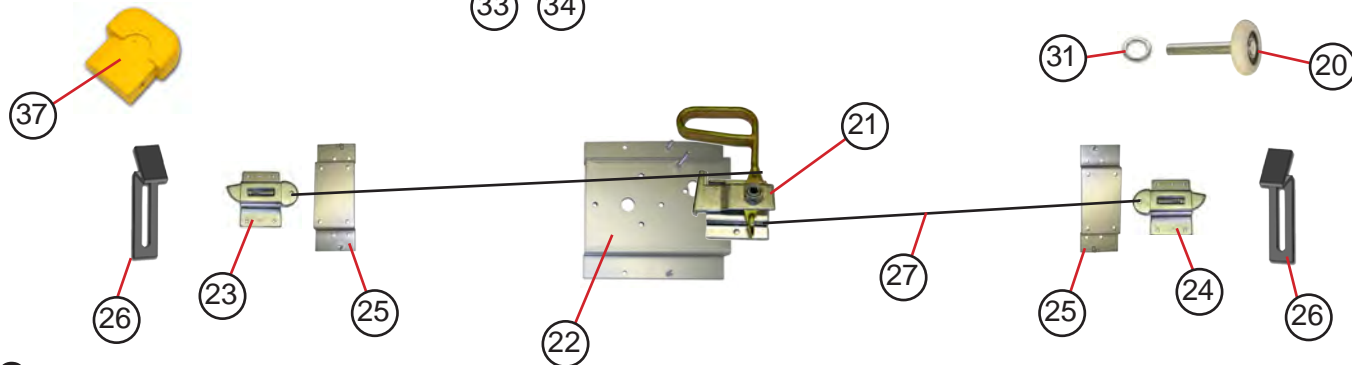


ITEM #	PART #	DESCRIPTION	QTY.	UNIT
1	197041401	PANEL DOOR POCKET CURBSIDE	1	EA
2	96741302	HEADER CHANNEL CURBSIDE	1	EA
3	157041403	STEP NOSE CURBSIDE	1	EA
4	157041401	DOOR POST CURBSIDE	1	EA
5	157041410	HEADER PANEL CURBSIDE	1	EA
6	96741202	DOOR TRACK ASSEMBLY	1	EA
7	45100049	GUSSET HEADER CHANNEL TO DOOR POST RH	1	EA
8	45100105	CASTING DOOR POST CURBSIDE	1	EA
9	001741408	REINFORCEMENT A-POST CURBSIDE	1	EA
10	157041404	ANGLE SHELF SUPPORT	2	EA
11	188041402	COVER DOOR POCKET CURBSIDE	1	EA
12	44008050	SEAL BRUSH TYPE B	1	EA
13	44004060	SEAL BRUSH TYPE C	1	EA
14	47002766	GUIDE DOOR LOWER NYLON MOULDED	1	EA

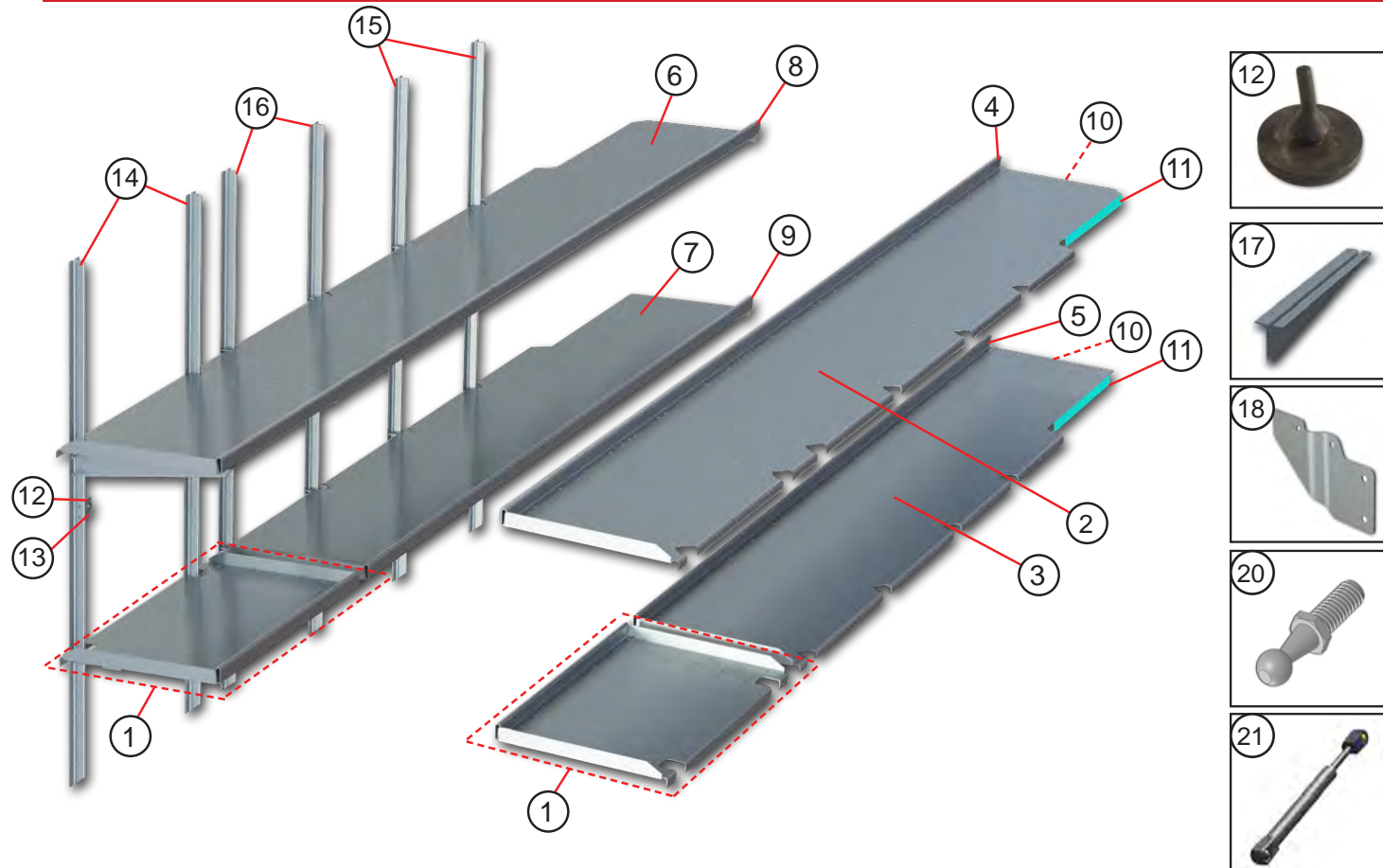


[47106045](#) Transglobal

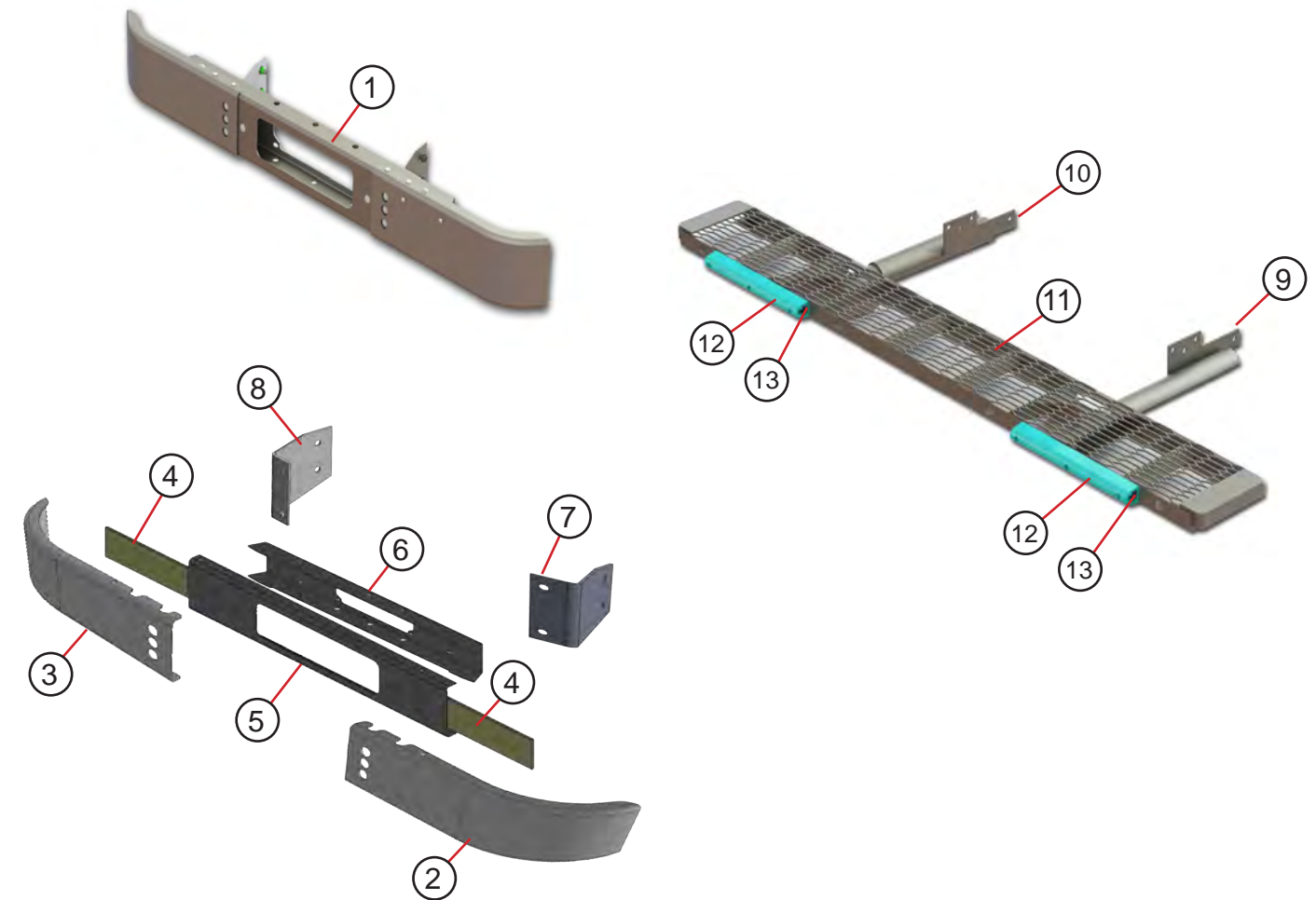
ITEM #	PART #	DESCRIPTION	QTY.	UNIT
1	Pending	.25" Composite Top Panel- Complete- 13.5" x 58.75" w/ Seal	1	EA
2	Pending	.25" Composite Intermediate Panel - 13" x 58.75"	1	EA
3	Pending	.25" Composite Intermediate Panel - 15" x 58.75"	1	EA
4	Pending	.25" Composite 2Pt Lock Panel- Complete 15" x 58.75"	1	EA
5	Pending	.25" Composite Bottom Panel -Complete 15" x 58.75"	1	EA
6	47106772	Cable 110" 7 x 19 SS 1/4 Aluminum Eye (Each)	2	EA
7	47106762	Cable Anchor Bracket	2	EA
8	47106706	Pin - Cable Anchor 1/4" X 1"	2	EA
9	47106719	Cotter Pin 3/32" X 1"	2	EA
10	47106774	L-Handle, Non-keyed	1	EA
11	47106796	Lift Handle - Black (2 5/8" SS)	1	EA
12	47106782	Top Panel Seal Assembly - 58.75	1	EA



ITEM #	PART #	DESCRIPTION	QTY.	UNIT
13	47106710	Top Closure Assembly Complete	2	EA
14	47106711	Top Closure Slide Only	-	EA
15	47106797	End Hinge Assembly - Heavy Duty	10	EA
NS	47106776	End Hinge - Base Only	-	EA
16	47106760	End Hinge - Cover Only - Heavy Duty	-	EA
17	47106731	Center Hinge-Heavy Duty	10	EA
18	47106764	3 Stud Bottom Fixture Assembly -Complete	2	EA
19	47106763	Roller Clamp, 3 hole Roller Clamp for 2" Rollers	-	EA
20	47106833	2" Nylon Roller	14	EA
21	47106891	Center Control Complete w/ D Loop Handle	1	EA
22	47106767	Latch Base Center - .91" Offset, 2" Track	1	EA
23	47106769	Two Point End Latch Assembly- Curbside	1	EA
24	47106770	Two Point End Latch Assembly- Roadside	1	EA
25	47106806	Latch Base - End Latch	2	EA
26	47106740	Lock Catch	2	EA
27	47106761	Cable Assy. 24.75" with (2) Stops & Washer (EACH) 2	2	EA
28	47106768	Aluminum Cable Cover - 58.375" Length - 7.5mm Comp,	1	EA
29	47106773	52" No Loop Strap W/ 1" Sewn Loop - Black Retainer	1	EA
30	47106869	Retainer Only - Black	-	EA
31	47106718	Spacer Washer	16	EA
32	47106686	Header Brush Seal Assembly	1	EA
33		Seal Bottom Edge	1	EA
34		Angle - Bottom Seal Retainer Black 52.75"		
35	47106737	Bearing Assembly	2	EA
36	47106687	Side Seal - Bolt on Style, 85.25" - EA	2	EA
37	47106787	2" Head Protector Yellow	2	EA
38		Vertical Track Assembly - #47106045- Curbside	1	EA
39		Vertical Track Assembly - #47106045- Roadside	1	EA
40		Horizontal Track Assembly- #47106045- Curbside	1	EA
41		Horizontal Track Assembly- #47106045- Roadside	1	EA
NS		Counterbalance Assembly - #47106045	1	EA
43	47106753	Cable Drum LH Roadside	1	EA
44	47106754	Cable Drum RH Curbside	1	EA
45	47106755	Counterbalance Shaft - 68.75"	1	EA
NS	47106794	Bearing Only	2	EA
47		Spring .207 x 2.48 x 30 RH Coated	1	EA
48		Anchor Bracket Center	1	EA
49		RH Anchor Bracket	1	EA
50		LH Anchor Bracket	1	EA
51	47003643	Winding Plug 2-1/2"	1	EA



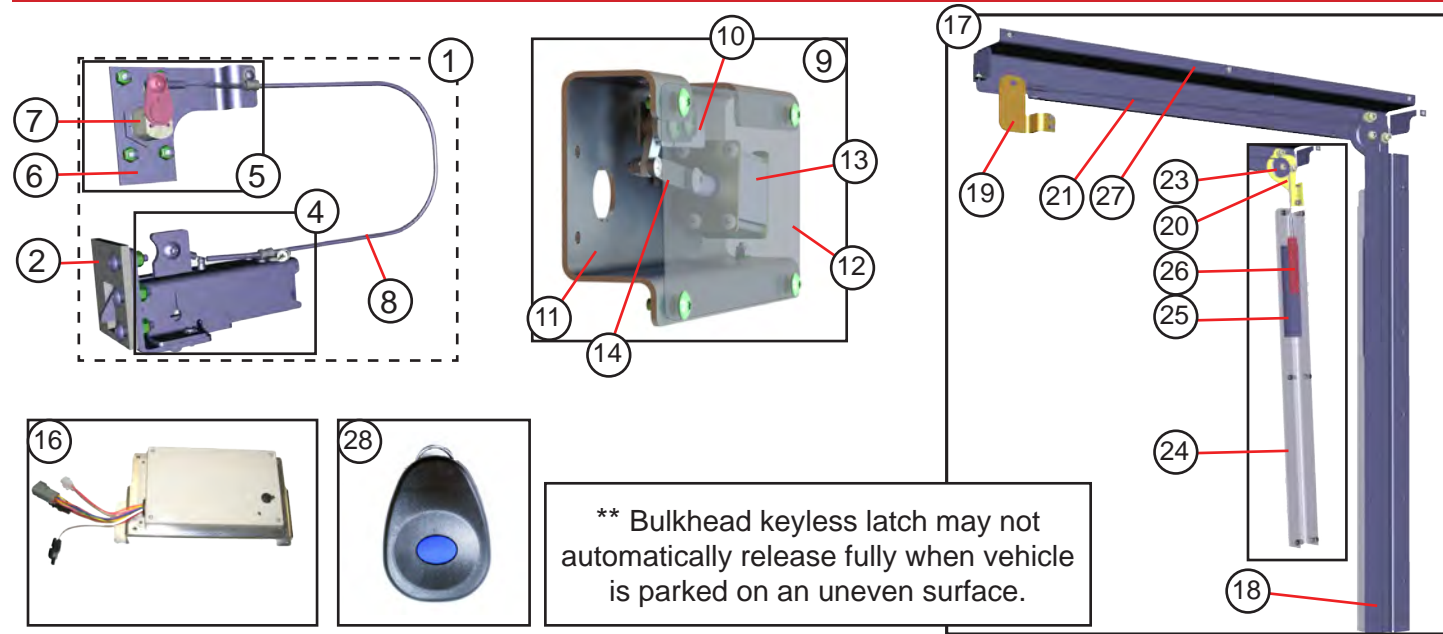
ITEM #	PART #	DESCRIPTION	QTY.	UNIT
1	190106201	SHELF ASSEMBLY FOLDING LOWER REAR LH/RH	2	EA
2	190105429	SHELF PANEL UPPER AL .07X24.69X183.25 RH	1	EA
3	190105433	SHELF PANEL LOWER AL .07X24.69X139.25 RH	1	EA
4	190105431	SHELF LIP AL 450589X183.25	1	EA
5	190105435	SHELF LIP AL 450589X139.25	1	EA
6	190105428	SHELF PANEL UPPER AL .07X24.69X183.25 LH	1	EA
7	190105432	SHELF PANEL LOWER AL .07X24.69X139.25 LH	1	EA
8	190105430	SHELF LIP AL 450589X183.25	1	EA
9	190105434	SHELF LIP AL 450589X139.25	1	EA
10	160105424	ANGLE SHELF MOUNT AL 450180X19 @ BHD	4	EA
11	160105423	ANGLE SHELF MOUNT AL.102X2.77X26 @ DR PKT	4	EA
12	1107102	PLUG RUBBER BUMPER	4	EA
13	150106410	BRACKET SHELF BUMPER AL .125X2.5X2.73	4	EA
14	190048404	STANSION T-STUD AL 459919 X 70.8 @ FLDG SHELF	4	EA
15	190048405	STANSION T-STUD AL 459919 X 77.94	4	EA
16	190048406	STANSION T-STUD AL 459919 X 70.8	4	EA
17	82782300	BRACKET SHELF ARM AL .125X11.35X23.87	20	EA
18	190105411	BRACKET SHELF STEEL 13GA X5.82X8.53 RH	4	EA
NS	190105412	BRACKET SHELF STEEL LH (OPPOSITE OF 18)	4	EA
20	126106427	BALL STUD	8	EA
21	126106426	GAS SPRING	4	EA



FRONT BUMPER

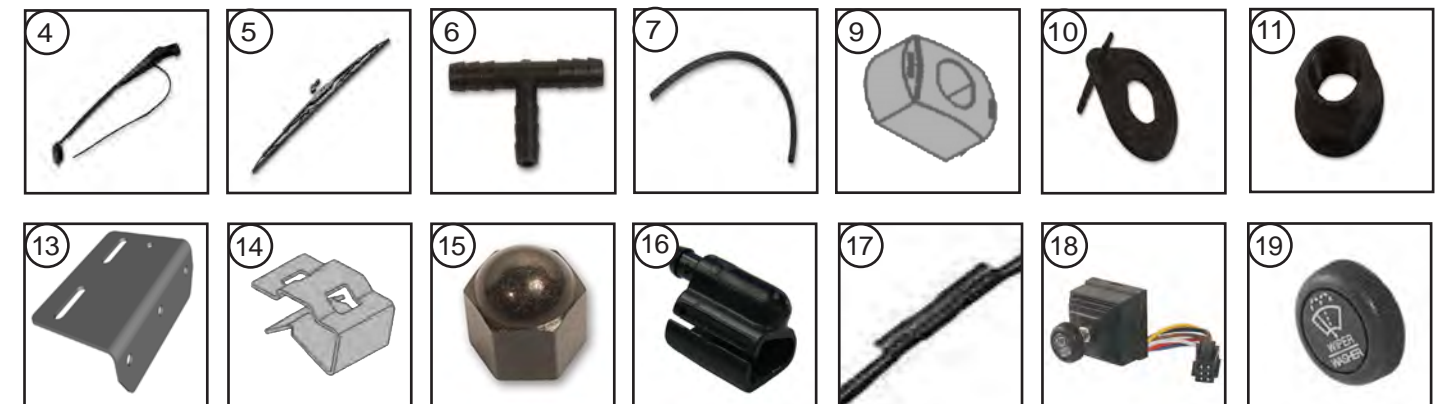
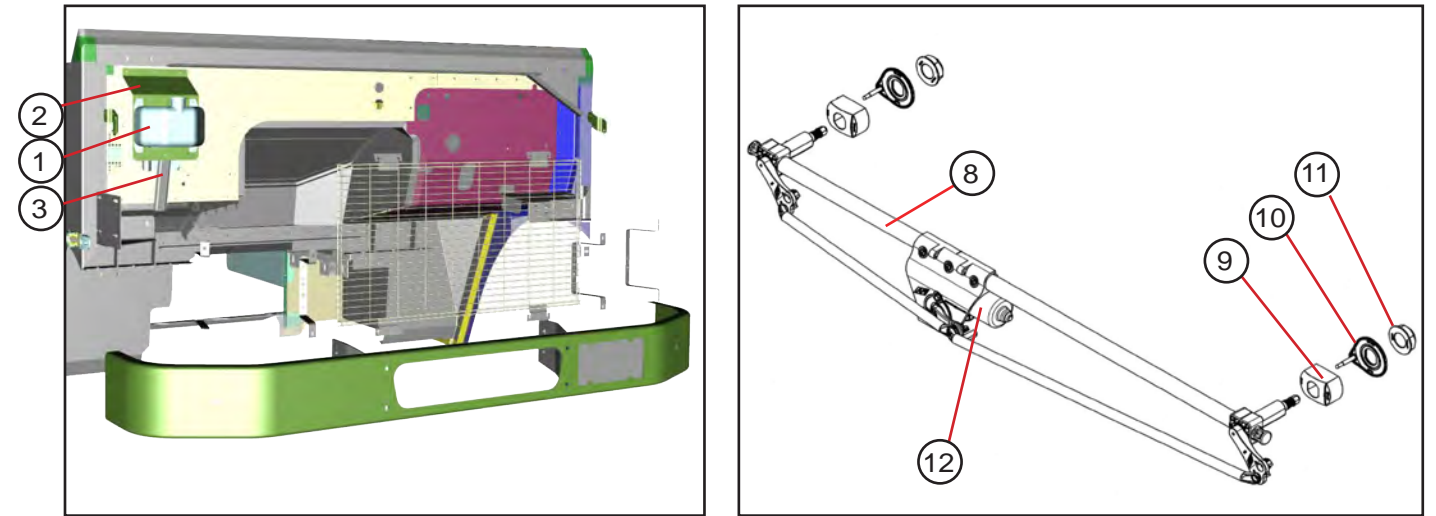
REAR BUMPER

ITEM #	PART #	DESCRIPTION	QTY.	UNIT
1	197008000	BUMPER ASSEMBLY - FRONT - SPRING BACK	1	EA
2	197008200	BUMPER CHANNEL OUTER LH WELDMENT 88W	1	EA
3	155008206	BUMPER CHANNEL OUTER RH WELDMENT 88W	1	EA
4	155008417	BUMPER LEAF SPRING FRT STEEL .375X5X22	2	EA
5	167008402	CHANNEL BUMPER STEEL .7GAX11.26X41	1	EA
6	167008401	CHANNEL BUMPER REAR STEEL .25X14.91X55.09	1	EA
7	167008403	BRACKET BUMPER MOUNT STEEL .7X8.12X8.32 LH	1	EA
8	167008404	BRACKET BUMPER MOUNT STEEL .7X8.12X8.32 RH	1	EA
9	157057200	MOUNTING BUMPER SHOCK RH	1	EA
10	157057202	MOUNTING BUMPER SHOCK LH	1	EA
11	197057200	BUMMPER WLDMNT 88W	1	EA
12	197057403	RUBBER PROTECTOR 18"	2	EA
13	217057404	PLATE BACKER FOR RUBBER BUMPER 18"	2	EA

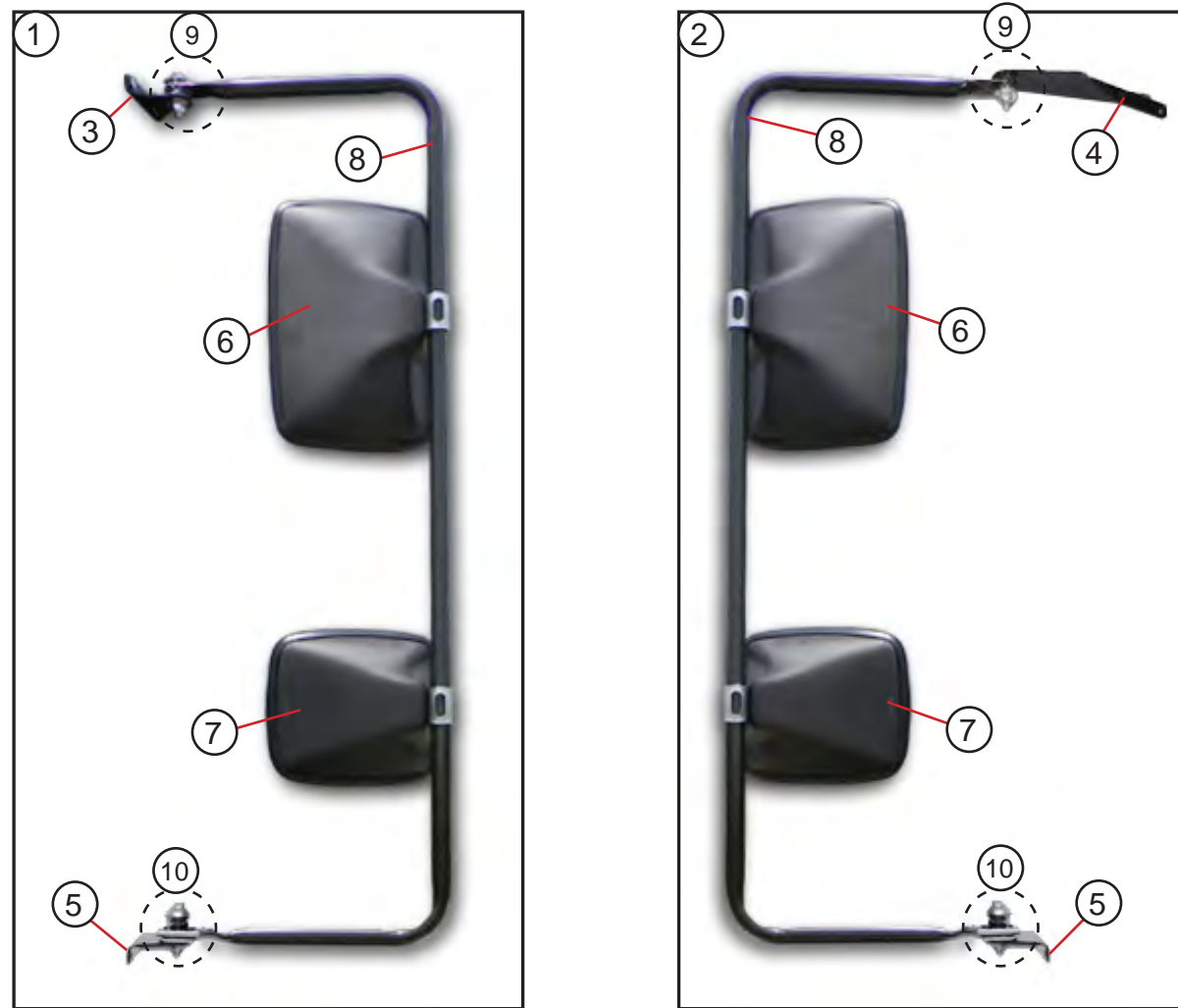


** Bulkhead keyless latch may not automatically release fully when vehicle is parked on an uneven surface.

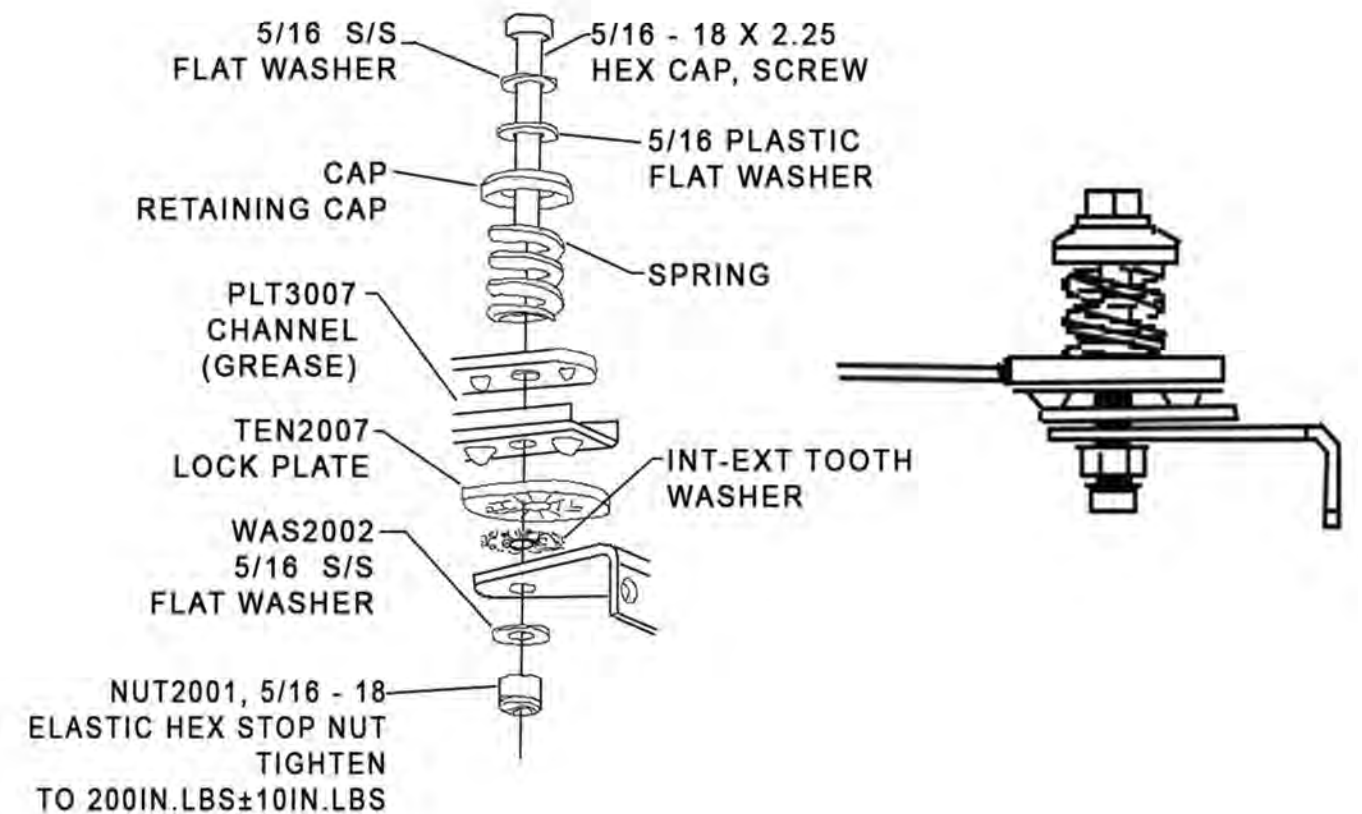
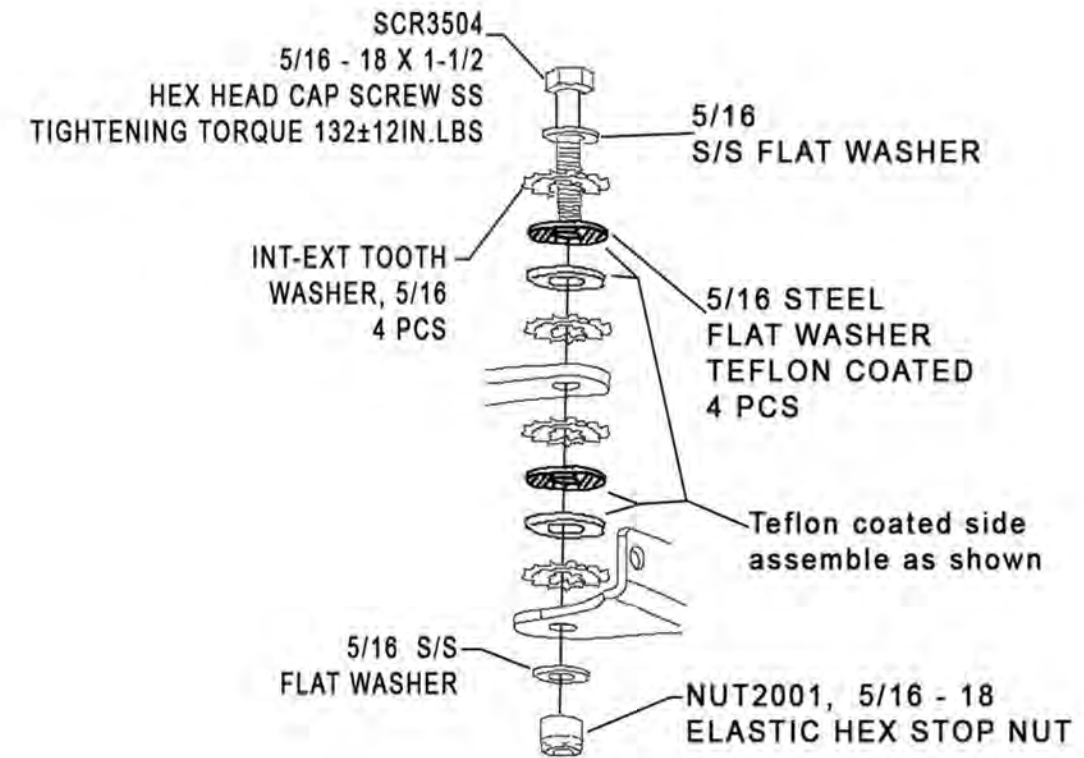
ITEM #	PART #	DESCRIPTION	QTY.	UNIT
1	137147000	LOCK INSTALLATION KEYLESS ROLL UP DOOR	1	EA
2	117050417	SHIM DOOR LOCK AL .25X3X3	1	EA
4	137147200	REAR DOOR LOCK ASSEMBLY	1	EA
5	137147202	LOCK OVER RIDE ASSEMBLY	1	EA
6	137147411	BRACKET MOUNTING - BEST LOCK AL .102X3.88X5.47	1	EA
7	137147415	BEST LOCK W/ DUST COVER	1	EA
8	137147414	CABLE PUSH PULL 26 W/2.5 TRAVEL	1	EA
9	197147201	LATCH ASSEMBLY KEYLESS BULKHEAD **	1	EA
10	1113458	LOCK MECHANISM	1	EA
11	197147403	BRACKET BULKHEAD LATCH	1	EA
12	197147404	COVER (LID) - BULKHEAD LATCH	1	EA
13	137147400	SOLENOID KEYLESS 12V (BULKHEAD & REAR DOOR)	2	EA
14	197147405	LINK - SOLENOID TO LOCK	1	EA
NS	197147406	SPACER BULKHEAD LATCH	1	EA
16	47009777	KEYLESS CONTROL MODULE (BRACKET 117094400)	1	EA
17	137147002	BULKHEAD DOOR OPENER INSTALLATION	1	EA
18	137147423	STIFFENER SLIDE AL 450595X46	1	EA
19	137147421	PLATE PULLY ANCHOR STL7GAX4.5X4.91	1	EA
NS	137147203	PULLY ASSEMBLY BULKHEAD DOOR OPENER	1	EA
20	137147420	PLATE MOUNTING STEEL 7GA	1	EA
21	137147416	CABLE ASSEMBLY	1	EA
NS	137147418	BEARING THRUST NYLON	1	EA
23	137147417	PULLY 2.5DX2.0IDX.44W W/5 SHF	1	EA
24	137147425	PULLY COVER AL .125X7.93X 43.35	1	EA
25	137147424	BAR WEIGHT STEEL .31 ASTM A36	2	EA
26	137147422	SOLID BAR PLASTIC EXTR 452101X7	1	EA
27	137147427	PULLY CABLE COVER AL .07X8.92X46.66	1	EA
28	46029111	REPLACEMENT KEY FOB	1	EA



ITEM #	PART #	DESCRIPTION	QTY.	UNIT
1	47004505	WINDSHIELD WASHER RESERVOIR W/PUMP	1	EA
2	117005403	BRACKET RESERVOIR BOTTLE	1	EA
3	117005404	BRACE WINDSHIELD RESERVOIR	1	EA
4	47004205	WIPER WET ARM 20"	2	EA
5	47004134	WIPER BLADE 24"	2	EA
6	1101694	TEE WINDSHIELD WASHER	1	EA
7	1107122	HOSE WINDSHIELD WASHER	12	FT
8	47004187	WIPER SYSTEM TUBULAR 2 PIVOT 86/88W	1	EA
9	47005903	WINDSHIELD WIPER MOTOR SPACER	2	EA
10	47005902	WINDSHIELD WIPER PIVOT COVER	2	EA
11	47005901	NUT-WINDSHIELD WIPER MOTOR	2	EA
12	47005900	WINDSHIELD WIPER MOTOR	1	EA
13	083055454	BRACKET WIPER MOTOR	1	EA
14	46021115	CLIP BODY LARGE PAN	1	EA
15	81600189	ACORN NUT (WIPER PIVOT SHAFT)	2	EA
16	47004271	WET KIT FOR WIPER ARM (SPRAY NOZZLE & HOSE)	2	EA
17	47004272	RETAINING CLIP HOSE	2	EA
18	46023310	SWITCH WIPER	1	EA
19	47008767	REPLACEMENT KNOB - WIPER SWITCH	1	EA

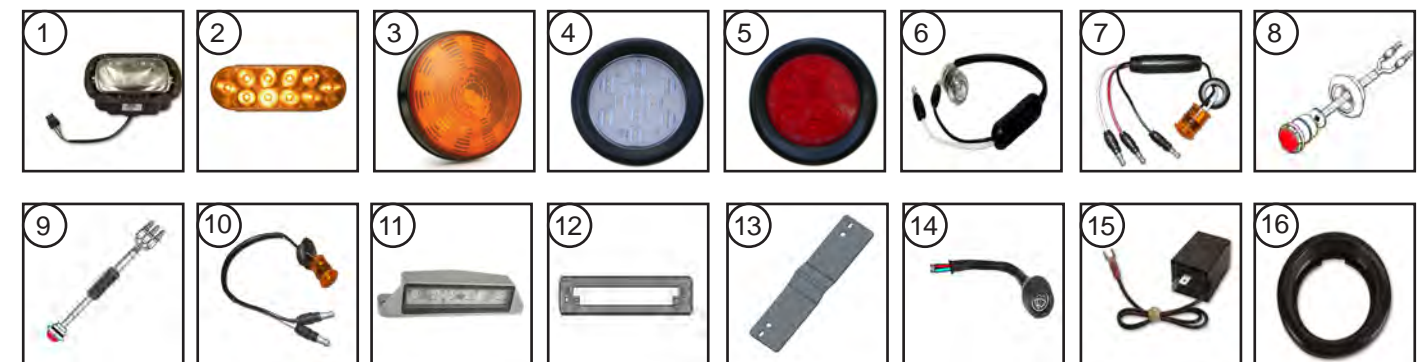
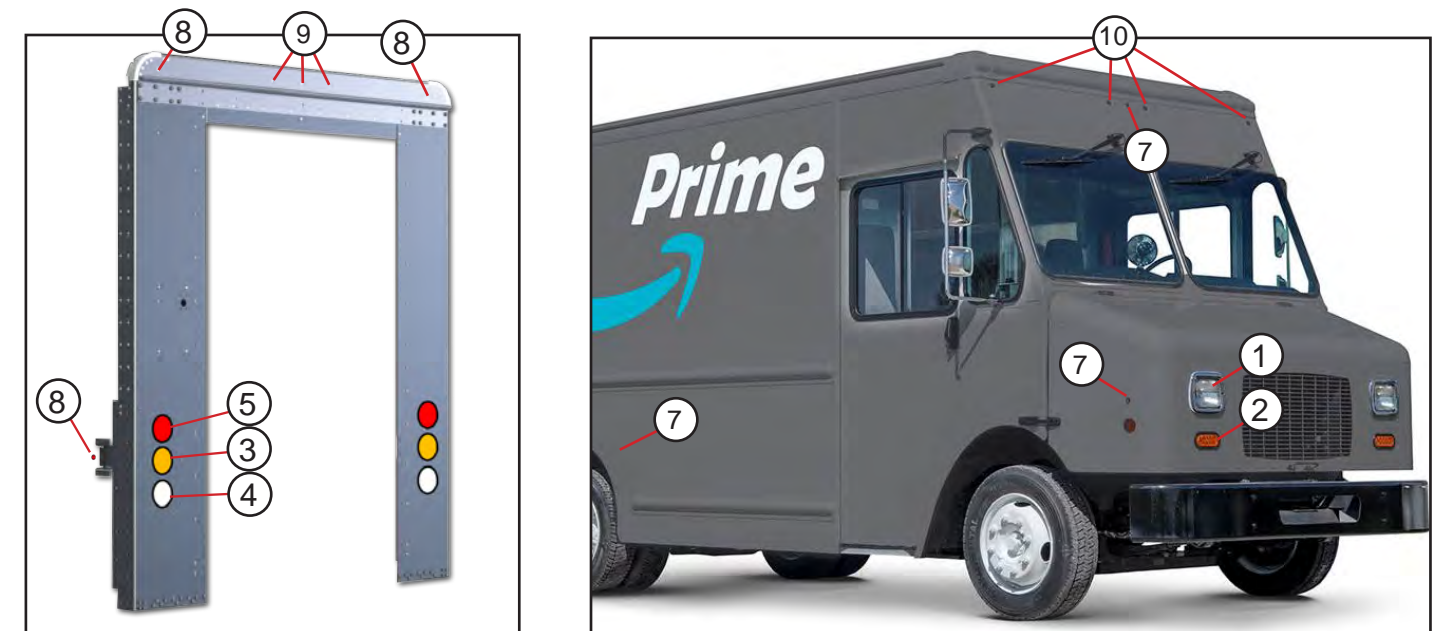


ITEM #	PART #	DESCRIPTION	QTY.	UNIT
1	47005624	MIRROR ASSEMBLY LH	1	EA
2	47005625	MIRROR ASSEMBLY RH	1	EA
3	BAS3231	FOOT MOUNTING UPPER LH	1	EA
4	BAS3233	FOOT MOUNTING UPPER RH	1	EA
5	BAS3232	FOOT MOUNTING LOWER LH/RH	2	EA
6	47005551	MIRROR HEAD 10"	2	EA
7	47005550	MIRROR HEAD 6"	2	EA
8	47005552	MIRROR LOOP 35.33"	2	EA
9	47005007	UPPER SPRING HARDWARE KIT	2	EA
10	47005069	LOWER SPRING HARDWARE KIT	2	EA
11	47005672	CLAMP (1 PER MIRROR HEAD)	1	EA
12	1117804	BOLT - HEX HEAD BOLT SS 5/16-18 X 1.25 (1 PER MIRROR)	1	EA
13	40000512	LOCK WASHER 5/16	1	EA





ITEM #	PART #	DESCRIPTION	QTY.	UNIT
1	47001042	GRAB HANDLE CAB INTERIOR LH	1	EA
2	107005490	ANGLE ATTATCH GRAB HANDLE	1	EA
3	90187300	GRAB HANDLE .5 DIA X 15.7 (BULKHEAD)	1	EA
4	90187301	GRAB HANDLE .5DIA X 18.87	1	EA
5	47006595	BEARINGS FOR SLIDING DOORS	4	PR
6	47009608	REFLECTOR KIT TRIANGLES	1	EA
7	47009660	FIRE EXTINGUISHER	1	EA
8	47005645	SUN VISOR 30X8 SINGLE PIVOT	2	EA
9	117024400	BATTERY SHIELD 45200014X13.25X49	1	EA
10	197124200	BAG HOLDER BRACKET	1	EA
11	47006146	STRAP HAND CART	1	EA
12	165127401	CATCH HAND CART STL 7GA X 2 X 23.49	1	EA
13	47009747	LOCK BOX PUSH BUTTON WITH COVER	1	EA
14	45200051	TRASH BIN	1	EA
15	107024426	CLIP TRASH BIN RETAINER	1	EA
16	087190405	TOEBOARD OVERLAY CURBSIDE	1	EA
17	197190400	TOEBOARD OVERLAY ROADSIDE	1	EA
18	46025017	REFLECTOR 2.88" RED	4	EA
19	46025018	REFLECTOR 2.88" AMBER	2	EA
20	097017001	KIT AIR INTAKE GUARD (OPTIONAL)	-	EA
21	47112612	HAND CART 2 in 1	1	EA
22	967110	LATCH SLIDING WINDOW	2	EA
23	967203	STRIKER PLATE SLIDING WINDOW	2	EA
24	117032401	HEAT SHIELD AL .07X3.75X5.12	1	EA
25	127050404	CHANNEL WIRE COVER AL .07X9.98X66.14	1	EA
26	47009653	CENTER CONSOLE W/ CLIPBOARD HOLDER	1	EA
27	1107308	MUD FLAP	1	RP
28	7504428	RETAINER MUD FLAPS	2	EA
29	80795014	ANGLE RETAINER MUD FLAPS	2	EA



ITEM #	PART #	DESCRIPTION	QTY.	UNIT
1	46000213	HEADLAMP	2	EA
2	46027653	LAMP TURN SIGNAL LED (OVAL GROMMET 46027708)	2	EA
3	46001392	LAMP PARK TURN LED	2	EA
4	46001447	LAMP BACK UP LED (SHOWN WITH GROMMET)	2	EA
5	46002266	LAMP COMBO STOP/TAIL (SHOWN WITH GROMMET)	4	EA
6	46002427	LAMP STEPWELL LED	2	EA
7	46001382	LAMP CLEARANCE MARKER AMBER LED 3 WIRE	6	EA
8	46001388	LAMP CLEARANCE MARKER RED LED (2 WIRE)	4	EA
9	46001389	LAMP CLEARANCE MARKER RED LED (3 WIRE)	3	EA
10	46001390	LAMP CLEARANCE MARKER AMBER LED (2 WIRE)	7	EA
11	46002674	LAMP WORK SURFACE (LAMP GUARD -)	1	EA
12	46001394	SPACER FOR WORK LAMP	1	EA
13	167081400	GUARD WORK LAMP	1	EA
14	46003017	LAMP INTERMITANT WIPER	1	EA
15	46026380	FLASHER FOR TTL LED	1	EA
16	46004443	GROMMET 4"	6	EA
NS	46024539	BACK UP ALARM	1	EA



ITEM #	PART #	DESCRIPTION	QTY.	UNIT
1	46023310	SWITCH WIPER (REPLACEMENT KNOB 1114987)	1	EA
2	46023508	SWITCH ROCKER CAB DOME SPST ON-OFF	1	EA
3	46023604	SWITCH ROCKER REAR CARGO DOME LAMP SPDT ON-ON	1	EA
3	46023603	SWITCH ROCKER FRONT CARGO DOME LAMP SPDT ON-ON	1	EA
4	46023521	SWITCH ENGINE START STOP	1	EA
5	46023613	SWITCH ACTUATOR ONLY WORK LAMP	1	EA
6	46023611	SWITCH BASE WORK LAMP	1	EA
7	46025313	SWITCH MAGNETIC REED OPEN LOOP	1	EA
8	46002633	LAMP DOME RECESSED 18" LED MOTION DET	3	EA
9	100092401	BRACKET DOME LAMP CARGO	3	EA
10	46002676	LAMP DOME RECESSED LED	1	EA
11	187092400	BRACKET DOME LAMP CAB	1	EA
12	100091400	BRACKET DOME LAMP (ALTERNATE VERSION)	-	EA
13	46022030	CIRCUIT BREAKER 5 AMP (20 AMP - 46022020)	2	EA
14	46024574	REAR BACKUP SENSOR KIT (BRACKET 197050411)	1	EA
15	46030011	FAN 2 SPEED 270 CFM	1	EA
16	46029061	SWITCH ROCKER DASH FAN SPDT ON-OFF-ON	1	EA
17	46026378	RECEPTICLE 12V POWER	1	EA
18	46032343	5 MIN TIMER 10A (TIMER 10 MINUTE - 46032341)	1	EA
19	177081401	PLATE MOUNTING FOR TIMER	1	EA
20	46002430	LAMP LICENSE PLATE LED	1	EA
21	147052403	BRACKET LICENSE PLATE LAMP	1	EA
22	46029111	REPLACEMENT KEY FOB	1	EA
23	48200219	LABEL GEOTAB	1	EA
24	48200215	USB CABLE GEOTAB	1	EA
25	48200216	USB PORT DASH MOUNT	1	EA
26	46026432	USB POWER PORT W/COVER	2	EA

PAGE#	PART#	DESCRIPTION	QTY.	UNIT
51	098085201	HARNESS HOOD FCCC AL HD	1	EA
52	117067201	HARNESS SEAT SENSOR WRG GEOTAB UPS	1	EA
53	131493205	HARNESS KEYLESS CONTROL MODULE W/GND	1	EA
54	157063200	HARNESS PIGTAIL PUMP - WINDOW WASHER	1	EA
55-61	197084200	HARNESS INSTRUMENT PANEL FCC W/KYLS	1	EA
62-63	197086200	HARNESS REAR P80 LED W/WORK LAMP	1	EA
64	197088200	HARNESS MID/BODY MARKER/TURN	1	EA
65	197091200	HARNESS ROOF TO NOSE P80 2019	1	EA
66	197092200	HARNESS JUMPER MAGNETIC SW	1	EA
67	197092201	HARNESS JUMPER STEP WELL LAMP	1	EA
68-69	197093200	HARNESS ROOF P80 W/KYLS	1	EA
70	46010675	HARNESS JUMPER 3IN Y 1W	1	EA

CABLES

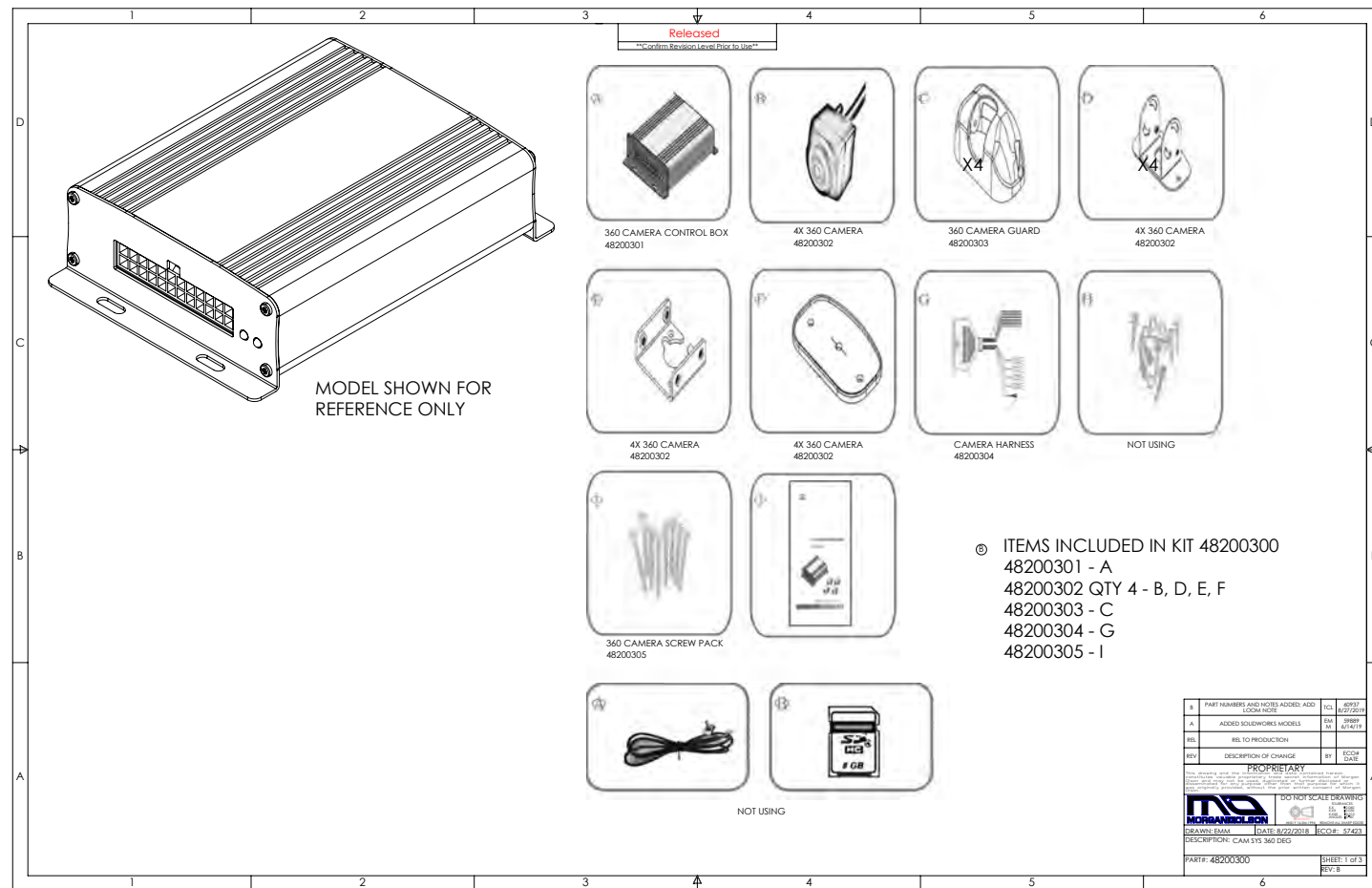
71	Reference	*CABLE USB MICRO B 1M	1	EA
71	Reference	*CABLE USB TYP A F TO M	1	EA
71	48200137	CABLE - CAMERA TO MON X15FT	2	EA
71	48200183	CABLE - CAMERA TO MONITOR X3FT	2	EA
71	48200092	CABLE - CAMERA TO MONITOR X34FT	1	EA
71	48200204	CABLE - CAMERA TO MON X10FT	1	EA

ASA Version 1 - Installation # 182079002

This system was used until 3/16/2020 - after this date, see Version 2
 Bill of Material# (JV002582, JV002585, JV002714, JV002731, JV002779, JV002973)

Identify your 360° camera system by comparing the control module to the images in this catalog.
 All four systems use a different module

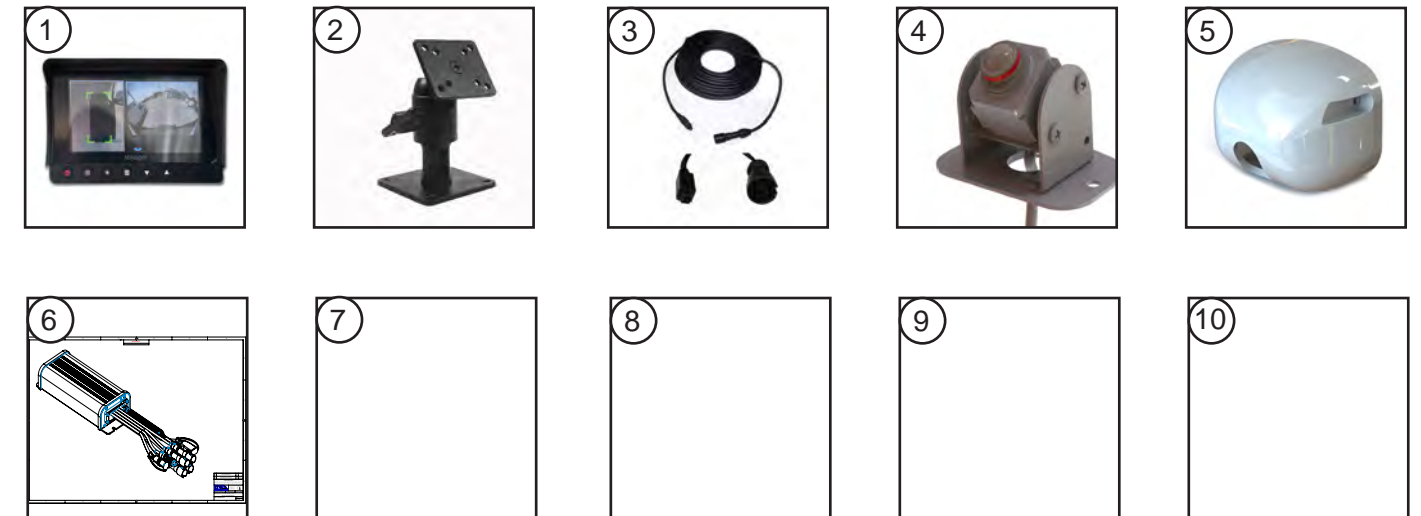
NOTE* This system does not breakdown into individual components and must be completely replaced with a version 2 system.



ASA Version 2 - Installation # 202079001

This system was used after 3/16/2020
 Bill of Material# (JV002585, JV002714, JV002731, JV002905, JV002973, JV003013)

Identify your 360° camera system by comparing the control module to the images in this catalog.
 All four systems use a different module



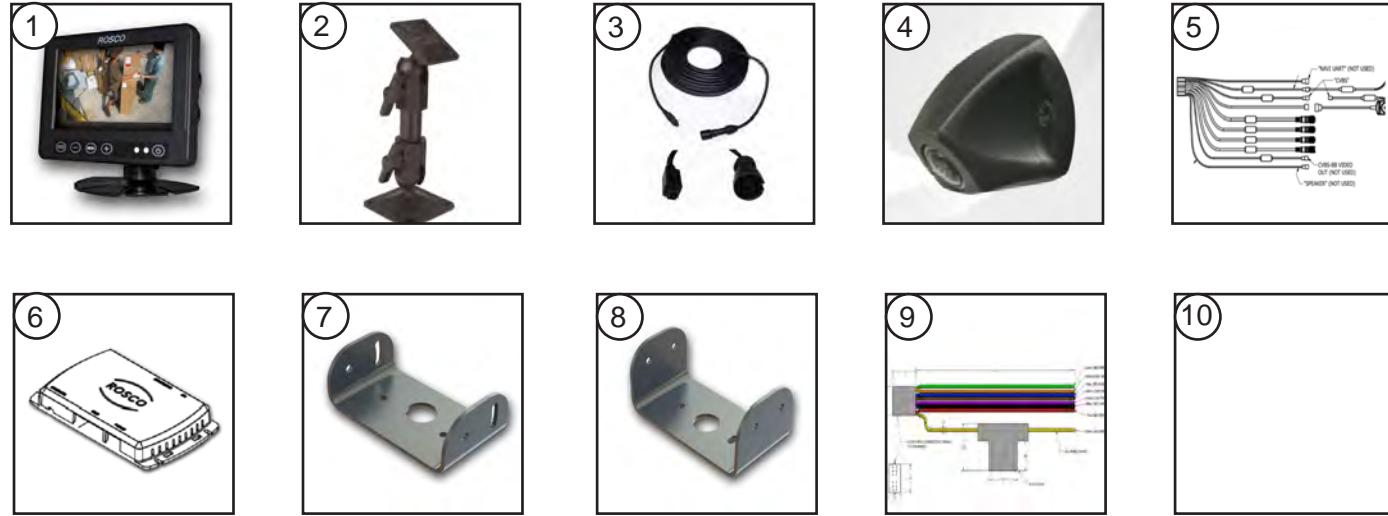
ITEM #	PART #	DESCRIPTION	QTY.	UNIT
1	48200209	MONITOR 7" B&W HD	1	EA
2	48200143	MONITOR MOUNT	1	EA
3	48200204	CABLE - CAMERA TO MONITOR 10FT	1	EA
3	48200137	CABLE - CAMERA TO MONITOR 15FT	2	EA
3	48200092	CABLE - CAMERA TO MONITOR 34FT	1	EA
3	48200183	CABLE - JUMPER 3FT	2	EA
4	48200325	CAMERA	4	EA
5	48200326	CAMERA HOUSING (PAINTED TO MATCH)	4	EA
6	48200324	CONTROL MODULE	1	EA
7				
8				

Rosco Version 1 - Installation # 202079000

This system was used until 2/14/2020 - after this date, see version 2

Bills of Material#; JV002905 & JV003013

Identify your 360° camera system by comparing the control module to the images in this catalog.
All four systems use a different module

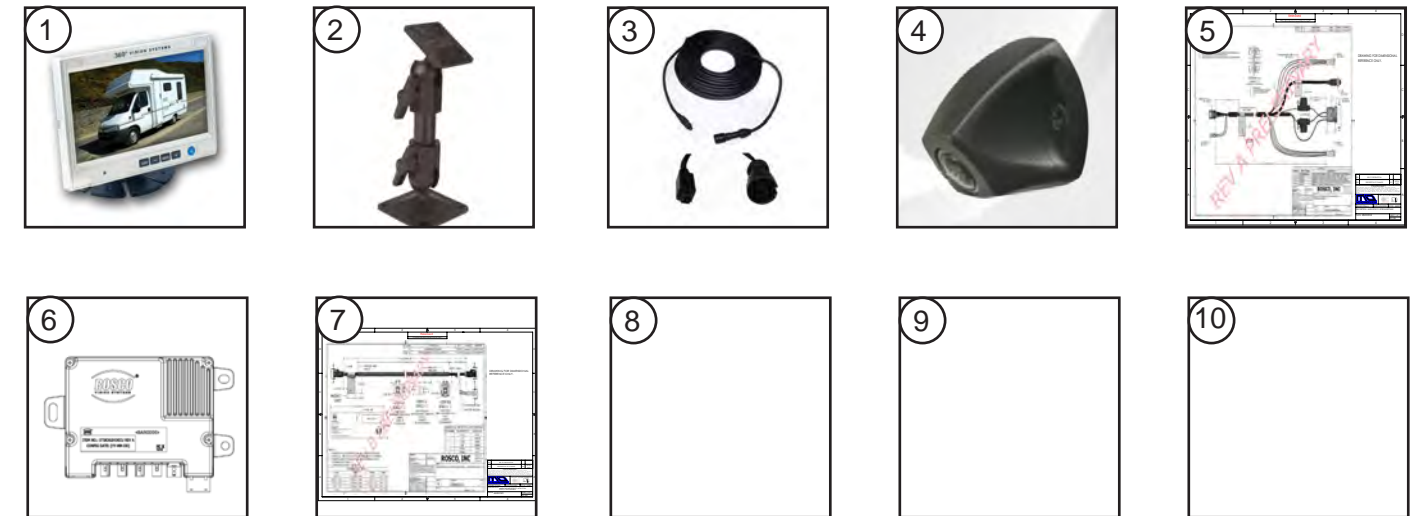


ITEM #	PART #	DESCRIPTION	QTY.	UNIT
1	48200319	MONITOR ROSCO	1	EA
2	48200313	MONITOR MOUNT	1	EA
3	48200318	CABLE CAMERA 5M ROSCO	3	EA
3	48200309	CABLE CAMERA 9M ROSCO	1	EA
4	48200317	CAMERA 360 ROSCO	4	EA
5	48200312	HARNESS 360 CAMERA ROSCO	1	EA
6	48200308	CONTROL MODULE 360 ROSCO	1	EA
7	202079400	BRACKET CAMERA AL .102X2.13X5.93	1	EA
8	202079401	BRACKET CAMERA AL .102X2.13X7.18	1	EA
9	202079204	HARNESS ASSEMBLY ROSCO	1	EA
10				

Rosco Version 2 - Installation # 202079003

This system will be used beginning in 2021

Identify your 360° camera system by comparing the control module to the images in this catalog.
All four systems use a different module



ITEM #	PART #	DESCRIPTION	QTY.	UNIT
1	48200328	MONITOR ROSCO	1	EA
2	48200313	MONITOR MOUNT	1	EA
3	48200335	CABLE CAMERA 5M L ROSCO	1	EA
3	48200336	CABLE CAMERA 5M R ROSCO	1	EA
3	48200333	CABLE CAMERA 5M H ROSCO	1	EA
3	48200332	CABLE CAMERA 9M REAR ROSCO	1	EA
4	48200327	CAMERA 360 ROSCO	4	EA
5	48200334	HARNESS 360 VID ROSCO	1	EA
6	48200331	CONTROL MODULE 360 ROSCO	1	EA
7	48200329	HARNESS ASSEMBLY ROSCO	1	EA
8				



	Length										
	Diameter	Fig.	.5	.625	.75	.875	1"	1-1/4"	1-1/2"	2-1/4"	3"
18-8 Stainless											
PHILLIPS TRUSS M/S 18-8 SS	8 - 32	1		1117716							
PHILLIPS TRUSS M/S 18-8 SS	10 - 24	1	1117800	1117814	40300498		40300451	1117835			
PHILLIPS TRUSS M/S 18-8 SS	1/4 - 20	1			1117784			40300453	40300454		
PHILLIPS TRUSS M/S 18-8 SS	5/16 - 18	1			1117928						
PHILLIPS FLAT M/S 18-8 SS	10 - 32	2					1117830				
PHILLIPS FLAT M/S 18-8 SS	1/4 - 20	2			40300809		1117782			40300630	40300631
PHILLIPS ROUND M/S 18-8 SS	10 - 24	6			1117209						
6 LOBE PAN T/C M/S 18-8 SS	1/4 - 20	9					1117815				
Standard Steel RoHS											
PHILLIPS ROUND M/S ZC/ROHS	8 - 32	6						1117839			
PHILLIPS PAN TEKS/3 ZC/ROHS	10 - 16	5			1117674						1117793
PHILLIPSTRUSSM/SZC/ROHS	10 - 24	1									
PHILLIPSTRUSSM/SZC/ROHS	10 - 32	1	1117723		1117688		1117715				
T/C - Thread Cutting											
PHIL PAN T/S TYPE A ZC	10	8					1117680				
PHIL TRUSS T/S TYPE A BLK	10	4					40300101				
PHIL PAN T/S TYPE A BLK	10	7					40300503				
PHIL PAN T/S TYPE A ZC	12	8			1117666						
6 LOBE PAN T/C	1/4 - 20	9			1117668		40300922		1117684		40300042

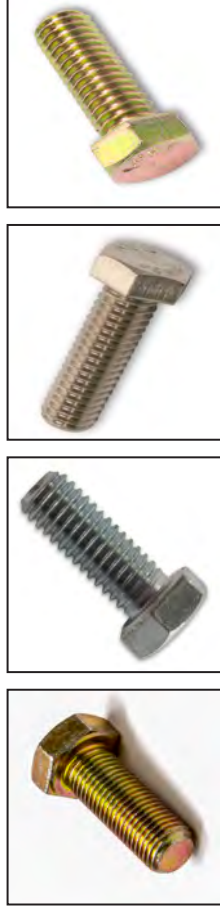


T/C Thread Cutting 6 Lobe Type A
Genuine OEM Parts

1.800.233.4823

www.morganolsonparts.com

46



Size	Description	Thread	Lengths												
			.62	3/4"	1"	1-1/4"	1-1/2"	1-3/4"	2"	2-1/2"	3"	3-1/4"	4"		
1/4" Hex Cap Screw	GR5 ZC/RO	20					1117009								
1/4" Hex Cap Screw	GR5 ZC/RoHS	20			1101688					1117818					
1/4" Hex Cap Screw	18-8 Stainless	20				1117010									
1/4" Hex Cap Screw	ASTM F593C	20			1117819										
5/16" Hex Cap Screw	18-8 Stainless	18				1117804									
5/16" Hex Cap Screw	GR8 ZC/Y	18			1117045										40300737
5/16" Hex Cap Screw	ASTM F593	18			1117803		1117059								
5/16" Hex Cap Screw	GR5 ZC/R	16				1117837									
3/8" Hex Cap Screw	GR8 ZC/Y	18				1117049	1117055								
3/8" Hex Cap Screw	GR8 ZC/Y	16			1117843										
3/8" Hex Cap Screw	GR5 ZC/RO	16			47012646					1117097	051166		1117000		
3/8" Hex Cap Screw	GR5 ZC/RoHS	16	40300056	40300054						40300058	05125	1117040		05128	
3/8" Hex Cap Screw	ASTM F593C	16					1117805			1117052					
7/16" Hex Cap Screw	GR8 ZC/Y	20					1217000								
1/2" Hex Cap Screw	GR5 ZC/RoHS	13													1117035
1/2" Hex Cap Screw	GR5 ZC/RO	13				1117121						1117050	1117051		
1/2" Hex Cap Screw	GR5 ZC/RoHS	13								1117043	1117124	1117051			
1/2" Hex Cap Screw	GR5 ZC	13					1117036								
5/8" Hex Cap Screw	GR5	11													40300259

	Grade 8 Medium Carbon Alloy Steel
	Grade 5 Medium Carbon Steel
	Grade 2 Low or Medium Carbon Steel

ZC	Zinc Coated
ZP	Zinc Plated
Y	Yellow
GR	Grade
RoHS	AS9100C ISO 9001:2008
ASTM F593C	American Standards Measurements Specifications



ZP - ZINC PLATED

Standard	Thread	FIG.	DIA.								
			#8	#10	1/4"	5/16	3/8"	.44	1/2"		
NYLON LOCKING NUT, HEX	32	1		052266							
NYLON LOCKING NUT, HEX	24	1		40301303							
NYLON LOCKING NUT, HEX ZP	24	3		1117307							
NYLON LOCKING NUT, HEX ZP	20	3			1117310						
NYLON LOCKING NUT, HEX ZP	18	3				1117838					
NYLON LOCKING NUT, HEX ZP	16	3					1117344				
LOCKING NUT HEX FLANGE .44-20 OVAL	20	4							1217003		
NUTSERT EXPANDING NYL .275 SQ	20	5		40900006							
NUT NON LOCKING	24	2		1117303							
NUT NON LOCKING	20	2			1117312						
NUT NON LOCKING	16	2						1117316			
GRADE 5											
NUT STL LK LRG FLG GD5 .31-18	18	4							40100560		
NUT STL HEX LK B ZP .5 -13 GR 5	13	1									1117283
Stainless											
NUT SS LOCKING	32	3	1117347	1117699							
NUT SS LOCKING	24	6		1103354							
NUT SS LOCKING	20	6			1117336						
NUT SS NON LOCKING	20	7			40100044						
NUT SS ACORN LOW CROWN	20	8			40100061						
Speciality											
CHANNEL NUT WITH SPRING 1 X 1-1/4"	20	9							47009988		

Genuine OEM Parts

1.800.233.4823

www.morganolsonparts.com



MAGNA LOCK	Diameter	Fig.	Length													
			.25	.312	.375	.438	.44	.5	.562	.625	.687	.75	.875	1"		
HUCK R6-4	.188	1		1117084	1117061											
HUCK R8-6	.25	2		1117087												
PROTRUDING HEAD	.25	3			40200304			40200634			40200303					
FLUSH HEAD B6-4	.25	4							40200630							
RIV AL BRAIZER HEAD	.125	5		1117402	1117404	1117405			1117406							
RIV AL BRAIZER HEAD	.188	5		1117351	1117353	1117355			1117357	1117359	1117361	1117363	1117365			
RIV AL BRAIZER HEAD	.25	5							1117380					1117390	1117395	
RIV AL BRAIZER HEAD MOD	.25	5						40200214	1117409	1117410		1117408				
RIV AL FLAT HEAD	.188	7							1117436							
RIV AL FLAT HEAD POP	.25	7														
RIV AL DOME HEAD BLIND	.125	10	1117464													
RIV AL DOME HEAD BLIND	.188	10	1117456			1117457			1117458							
POP AL OPEN END BLIND	.125	6				1117421										
POP AL OPEN END BLIND	.188	6	1117456			1117457								1117458		
POP CLSD BLACK		8														
SNAP FASTNER		9														
BULB TYPE BLIND w/WASHER	.188	10			40200621											

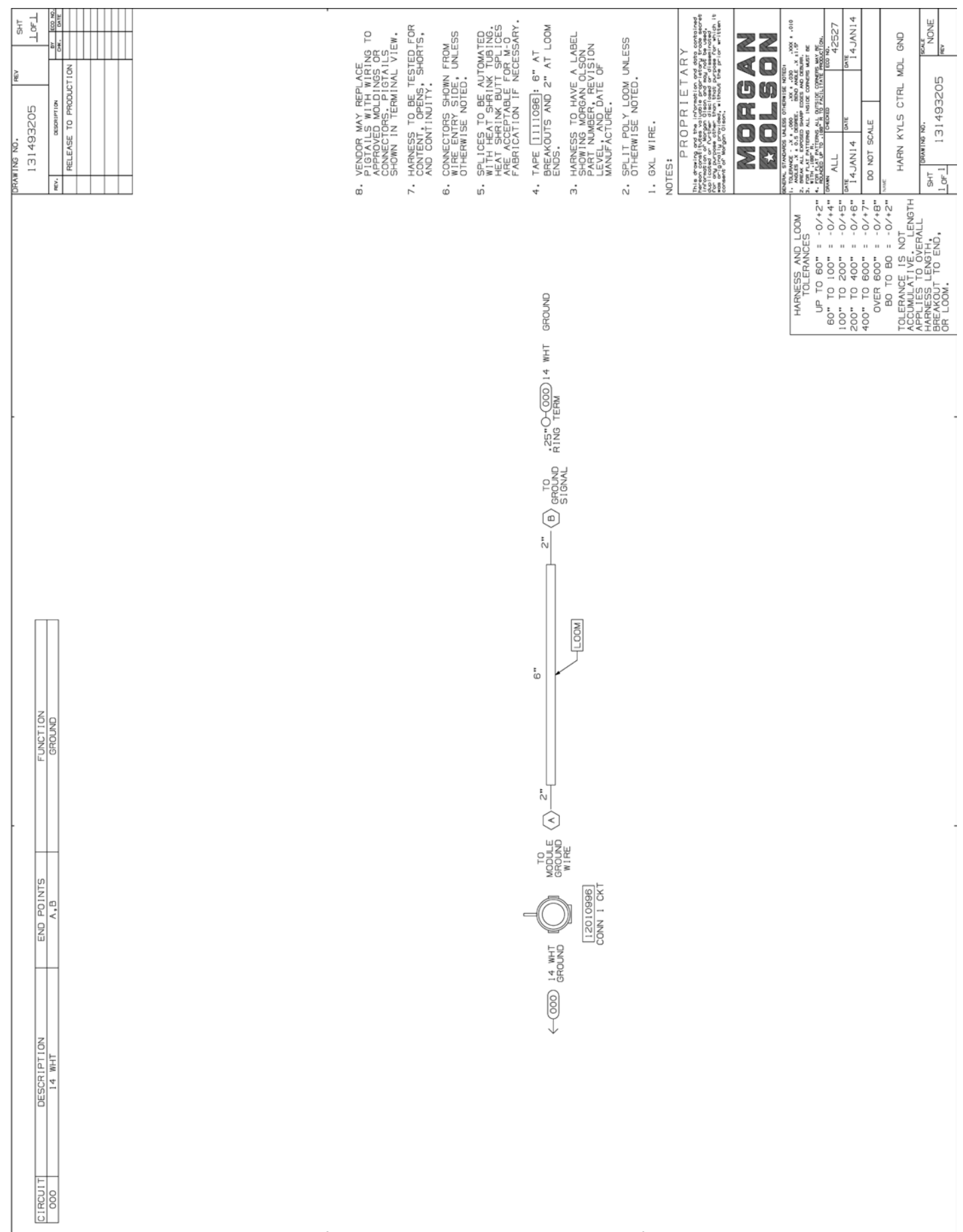
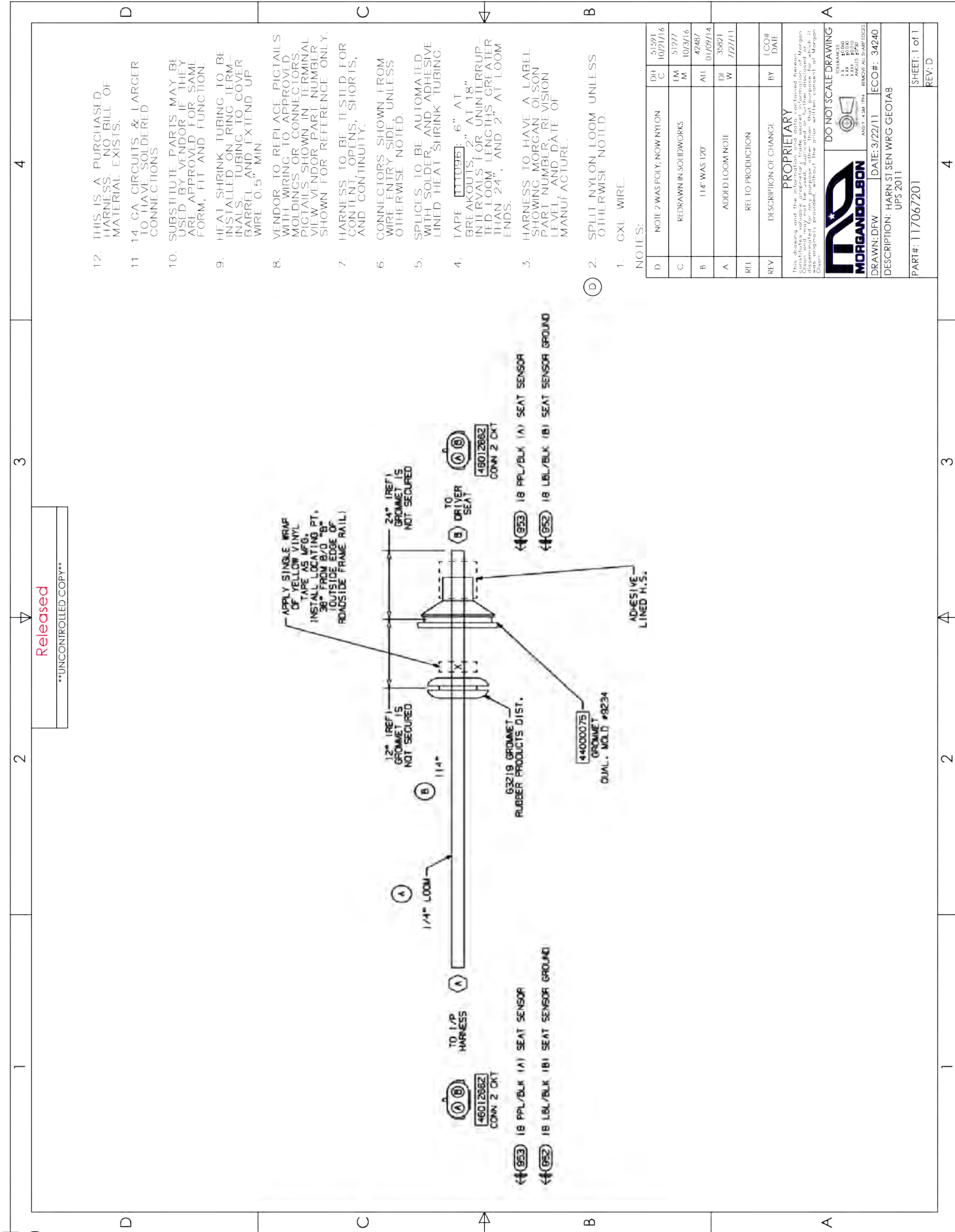
Genuine OEM Parts

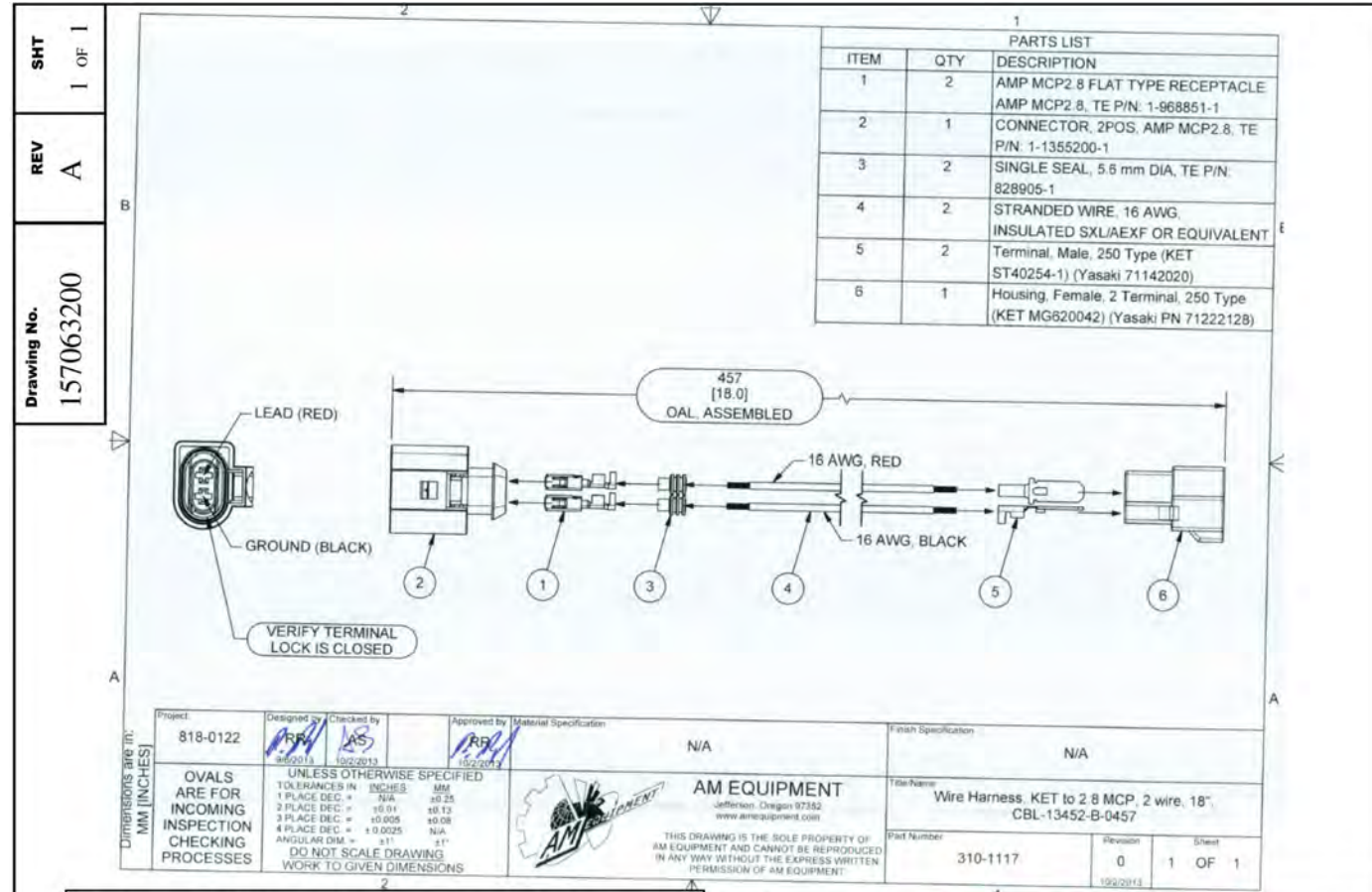
1.800.233.4823

www.morganolsonparts.com

Rivet Head Tool P/N [81600025](#)

Bucking Bar P/N [81600018](#)





ADD 18" HIGH-TEMP LOOM 46020207 TO WASHER BOTTLE PIGTAIL 47004506 AND TAPE 1111096 TO BOTH ENDS



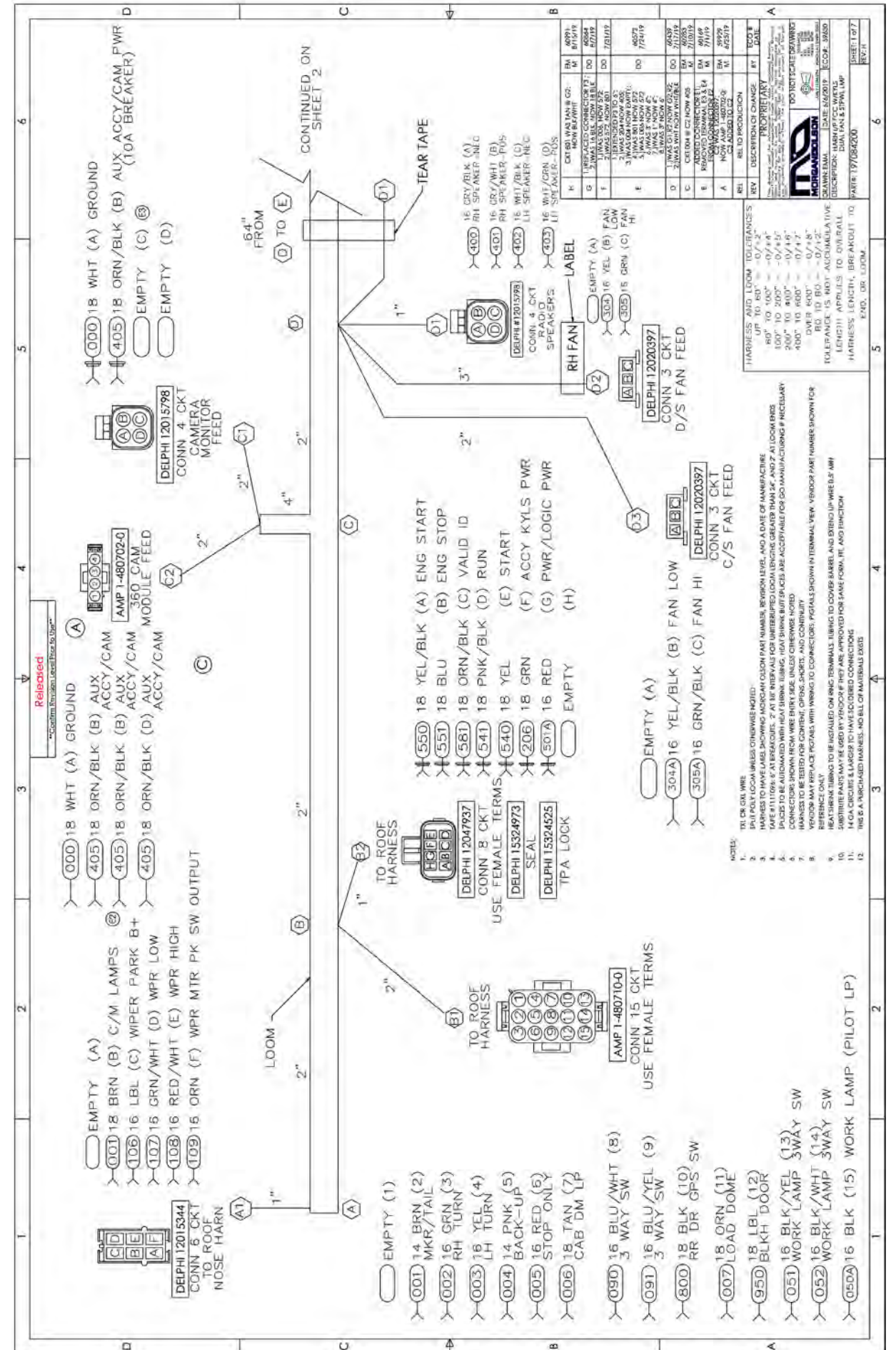
GENERAL STANDARDS UNLESS OTHERWISE NOTED:
 1. TOLERANCE- .X ± .060 .XX ± .030 .XXX ± .010
 ANGLES- .X ± 5 DEGREES
 2. BREAK ALL EXPOSED SHARP EDGES AND DEBURR.
 3. FOR FLAT PATTERNS ALL INSIDE CORNERS MUST BE WITH .188" R.
 4. FOR FLAT PATTERNS ALL OUTSIDE CORNERS MAY BE ROUNDED UP TO .188" R TO FACILITATE PRODUCTION.

REV	DESCRIPTION	BY	REL. NO.
A	CHANGED DRAWING NO. FIELD FROM 15706200	EMM	47140 2/26/16
	RELEASED TO PRODUCTION		

DRAWN	CHECKED	RELEASE NO.
JLH	-	45793
DATE	DATE	DATE
08/10/15	-	08/10/15

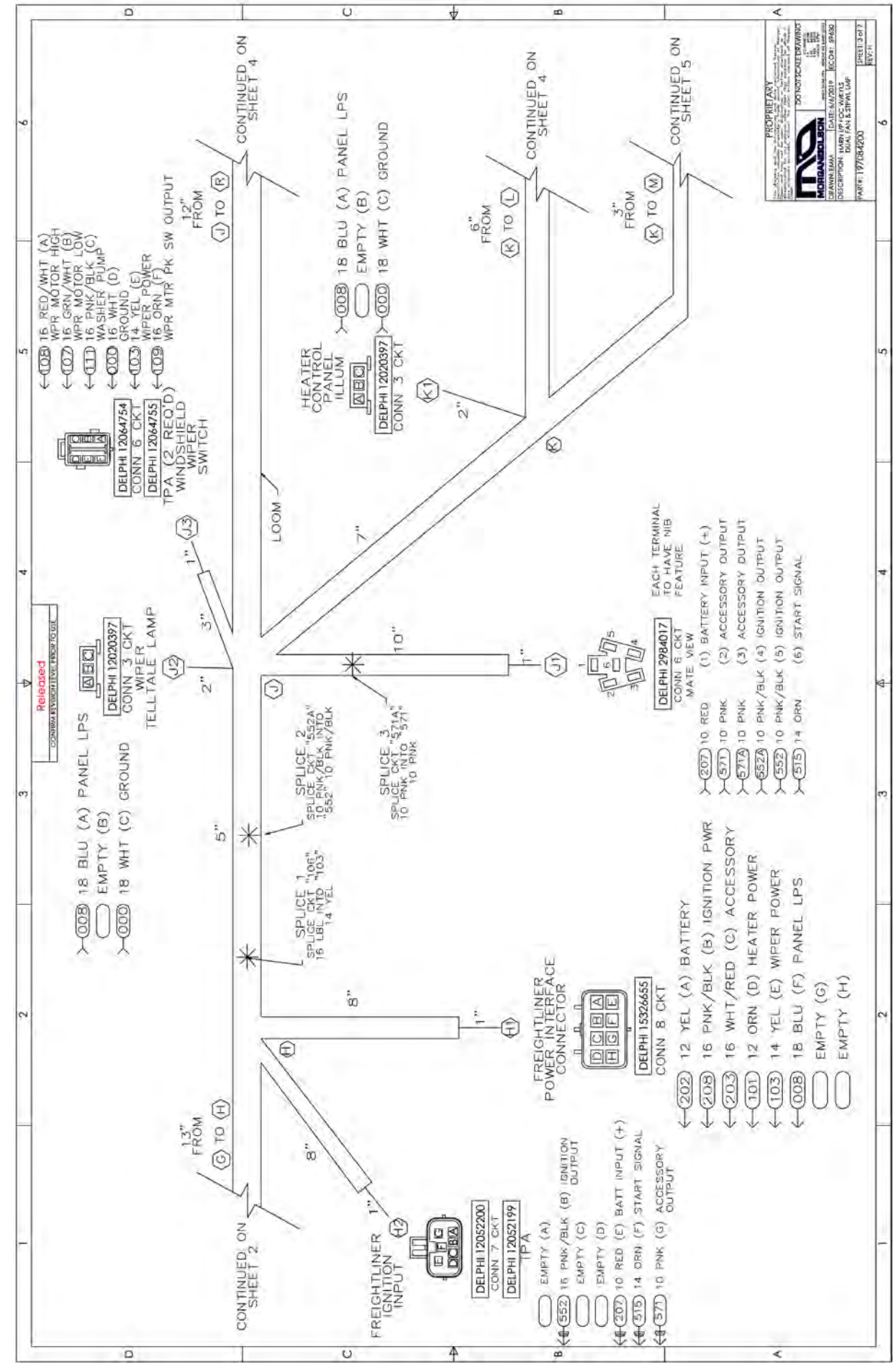
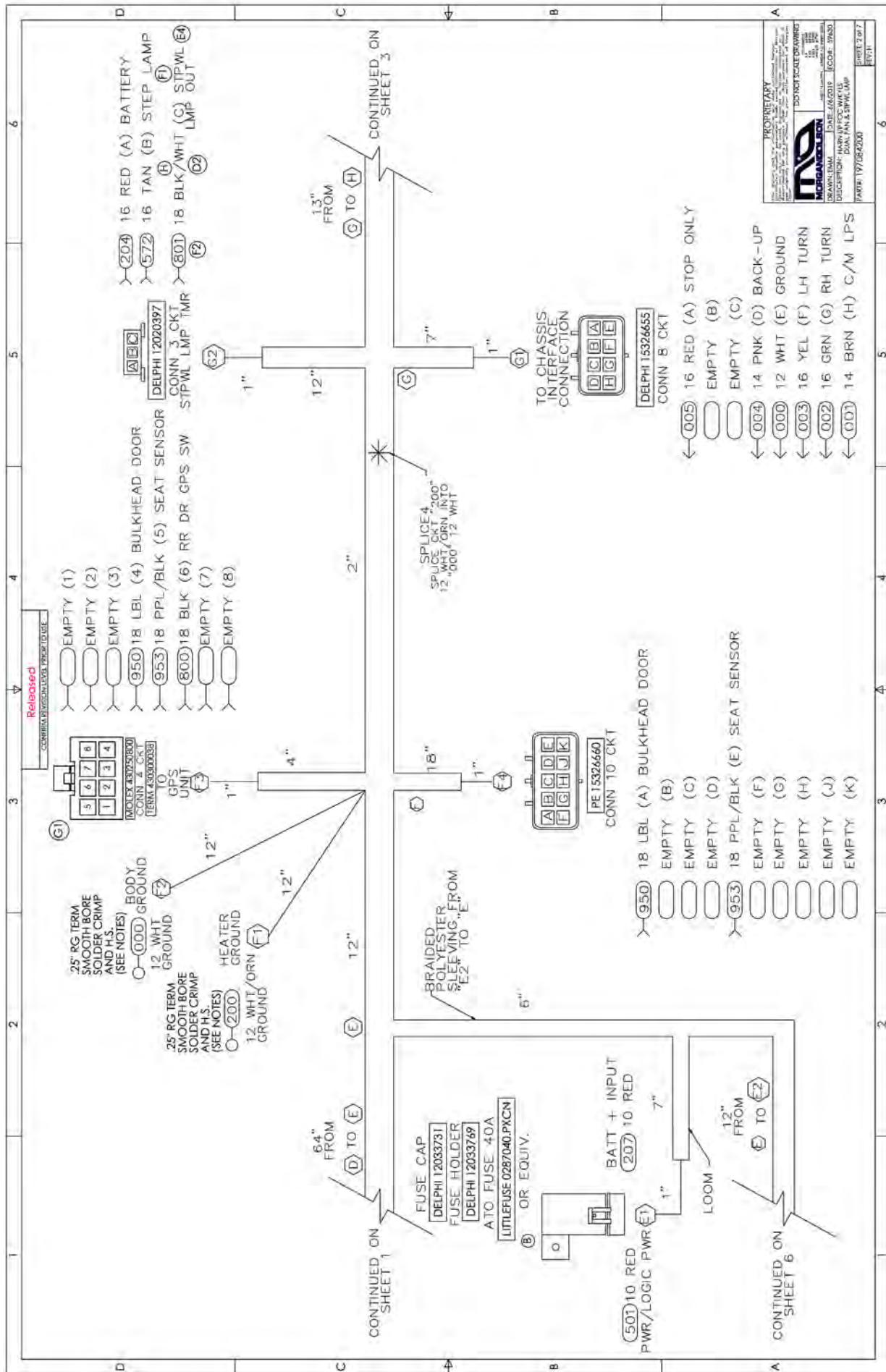
DO NOT SCALE		
NAME HARN WSHR BTL PGTL LOOM ADDED		
SHT	DRAWING NO.	SCALE
1 of 1	157063200	NONE
		REV
		A

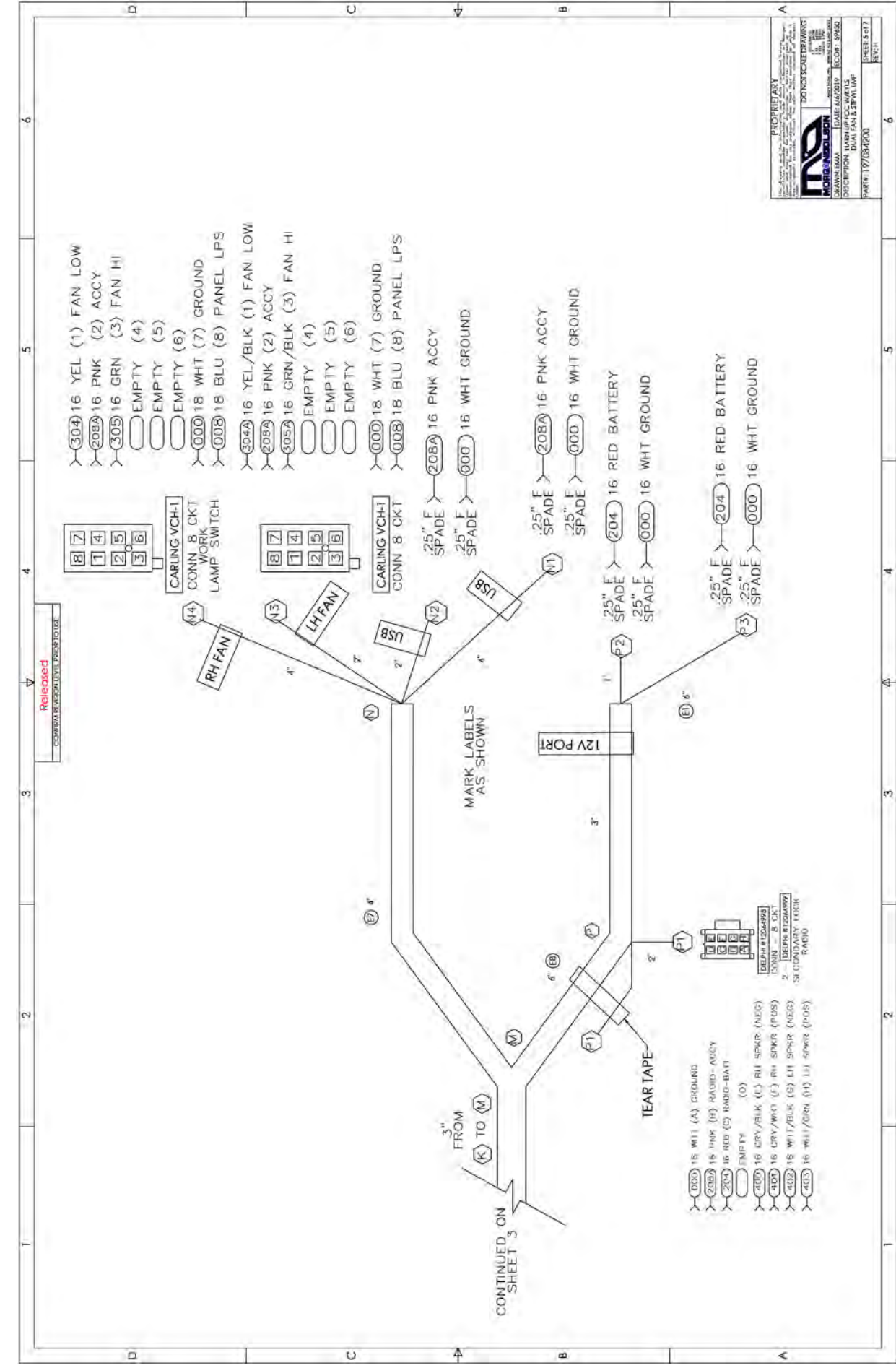
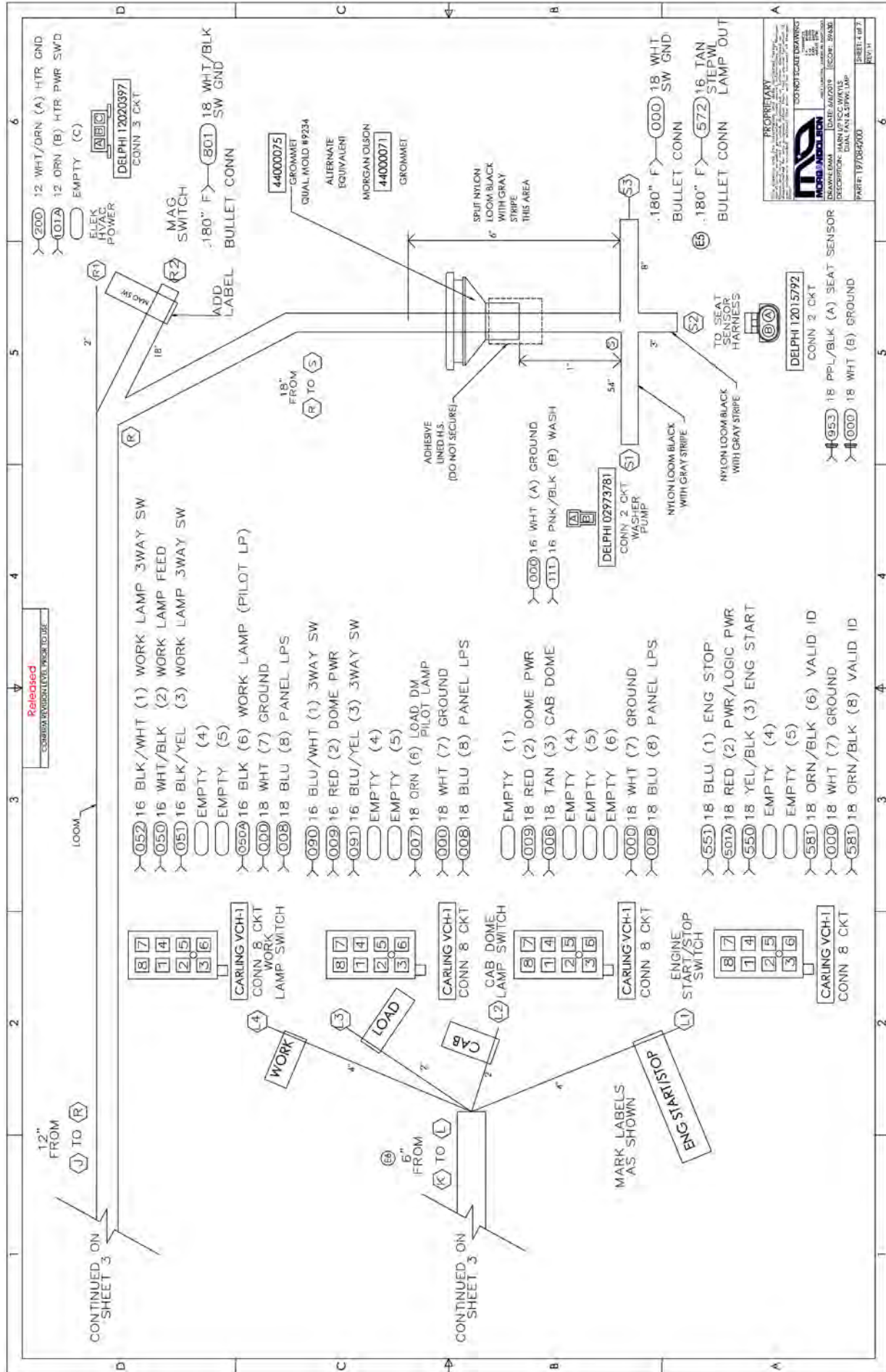
PROPRIETARY
 This drawing and the information and data contained hereon constitutes valuable proprietary trade secret information of Morgan Olson Corp. and may not be used, duplicated or further disclosed or disseminated for any purpose other than that purpose for which it was originally provided, without the prior written consent of Morgan Olson Corp.

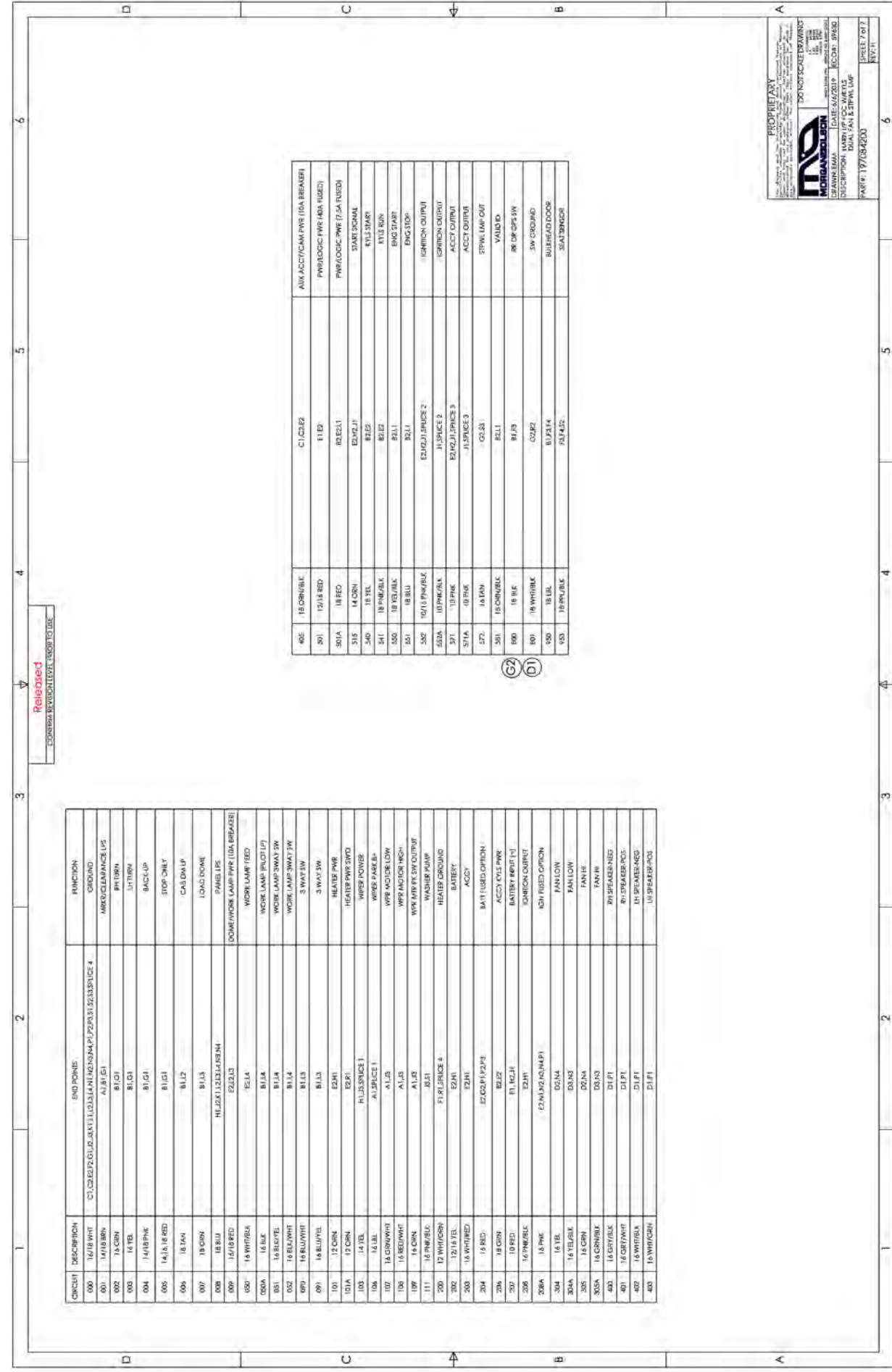
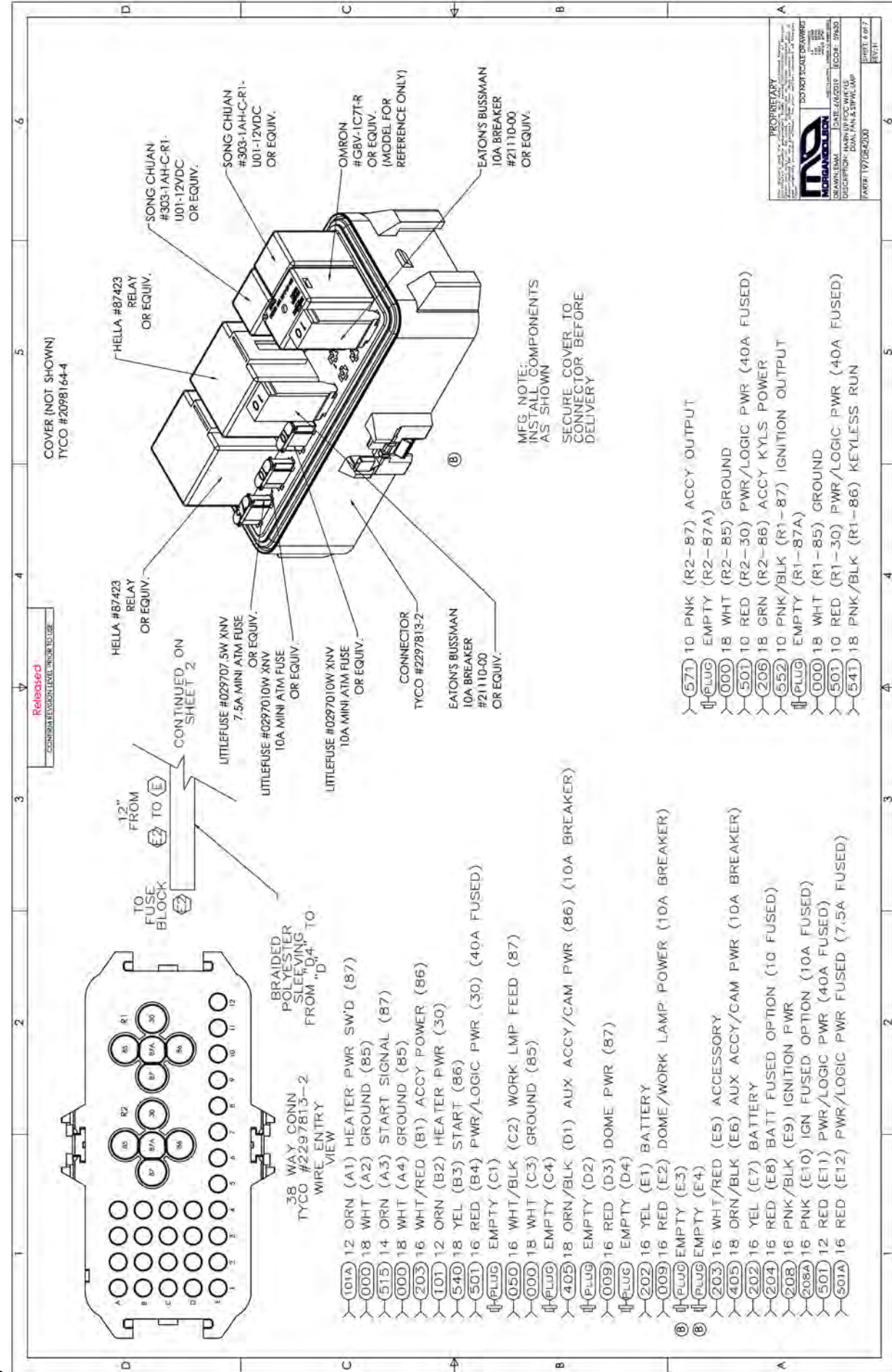


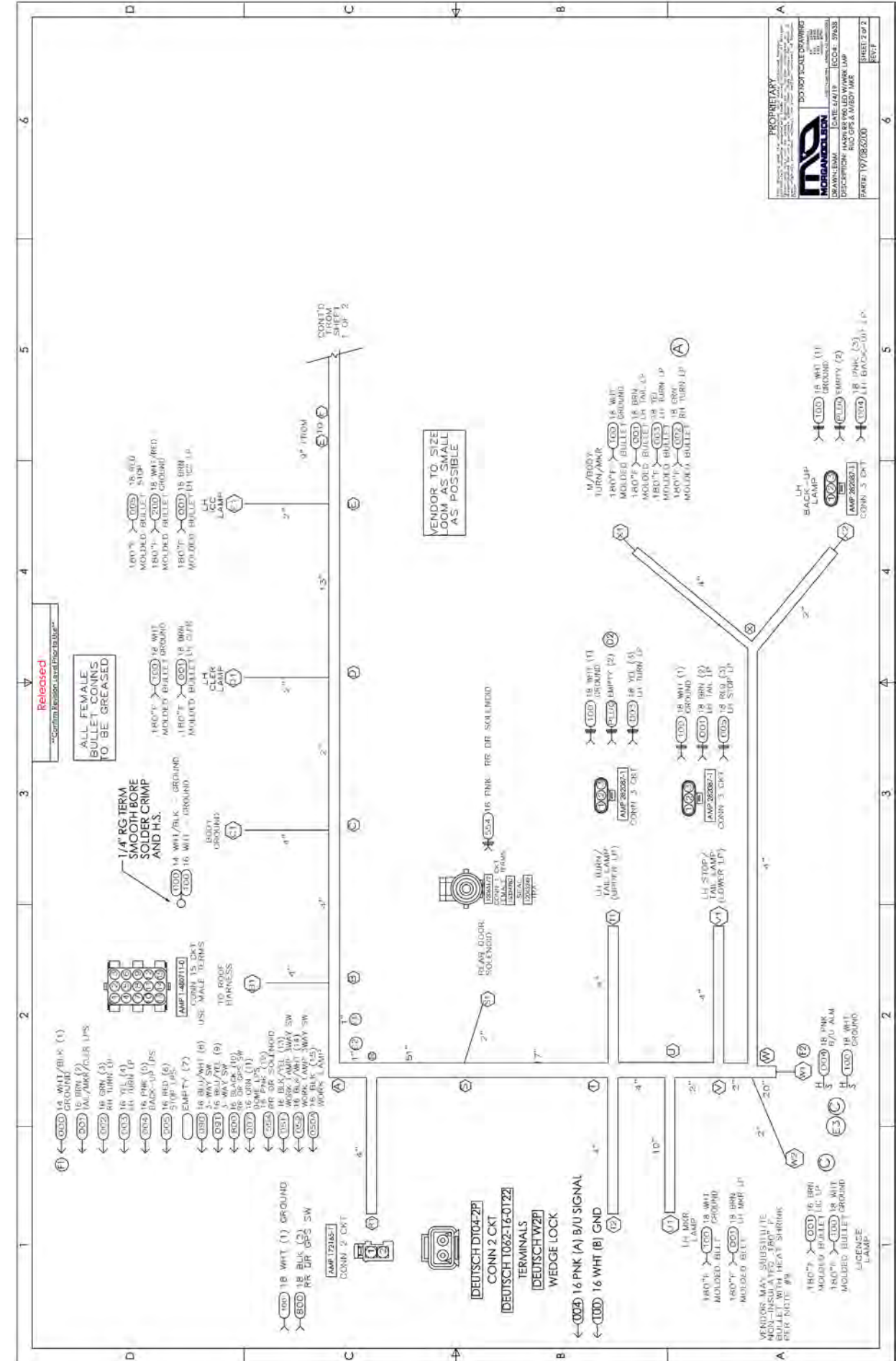
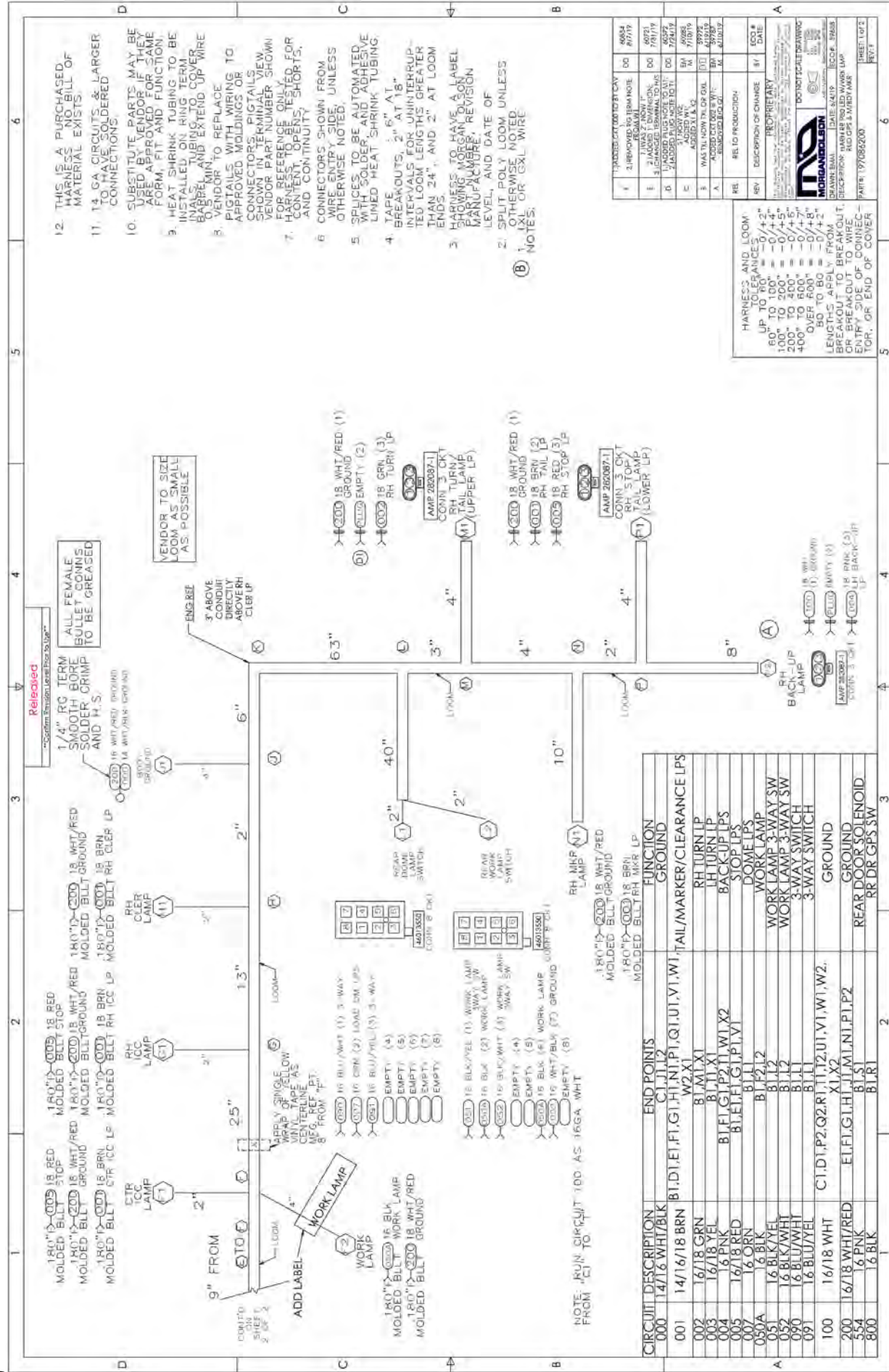
REV	DESCRIPTION	DATE	BY	CHK
1	ISSUED FOR PRODUCTION	08/10/15	JLH	EMM
2	REVISION			
3	REVISION			
4	REVISION			
5	REVISION			
6	REVISION			

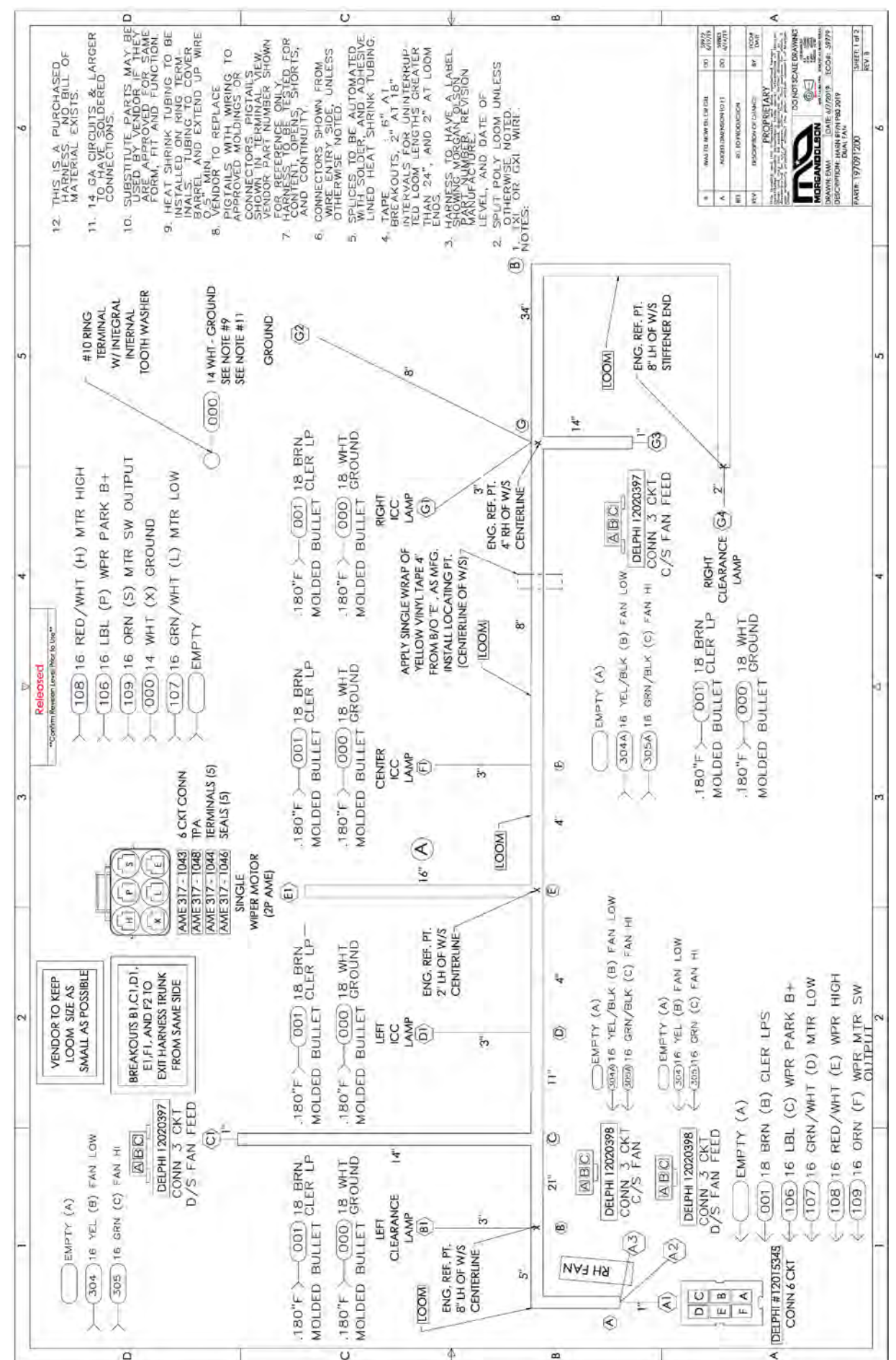
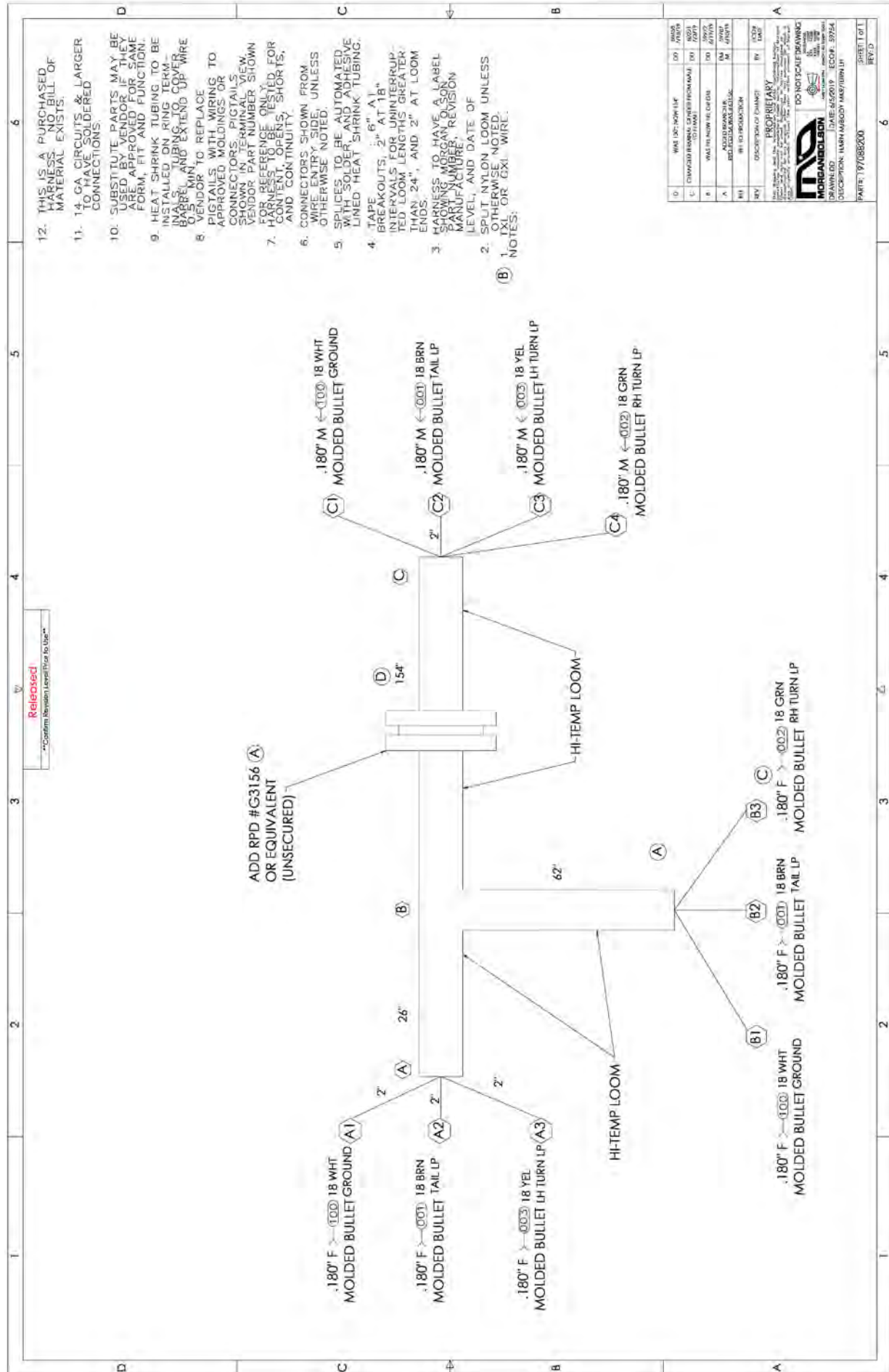
NOTES:
 1. ALL POLY COULMERS OTHERWISE NOTED.
 2. HARNESS TO HAVE LABEL SHOWING MORGAN OLSON PART NUMBER, VERSION LEVEL, AND A DATE OF MANUFACTURE.
 3. TAKE 8" INTERVALS FOR UNIDENTIFIED LOOM LENGTHS GREATER THAN 50" AND 2" AT LOOM ENDS.
 4. SPLICES TO BE IDENTIFIED WITH HEAT SHRINK TUBING. HEAT SHRINK TUBING IS ACCEPTABLE FOR DO MANUFACTURING IF NECESSARY.
 5. CONNECTIONS SHOWN FROM VIEW FROM THE FRONT UNLESS OTHERWISE NOTED.
 6. WIRE COLOR MAY VARY FROM THE COLOR SHOWN IN THIS DRAWING.
 7. WIRE COLOR MAY VARY FROM THE COLOR SHOWN IN THIS DRAWING.
 8. WIRE COLOR MAY VARY FROM THE COLOR SHOWN IN THIS DRAWING.
 9. HEAT SHRINK TUBING TO BE INSTALLED ON RING TERMINALS. TUBING TO COVER LABEL AND EXTEND UP WIRE BY WHI.
 10. SUBSTITUTION PARTS MAY BE USED BY VENDOR IF THEY ARE APPROVED FOR SAME FORM, FIT, AND FUNCTION.
 11. WIRE COLOR MAY VARY FROM THE COLOR SHOWN IN THIS DRAWING.
 12. THIS IS A PRELIMINARY DRAWING AND ALL DIMENSIONS ARE APPROXIMATE.

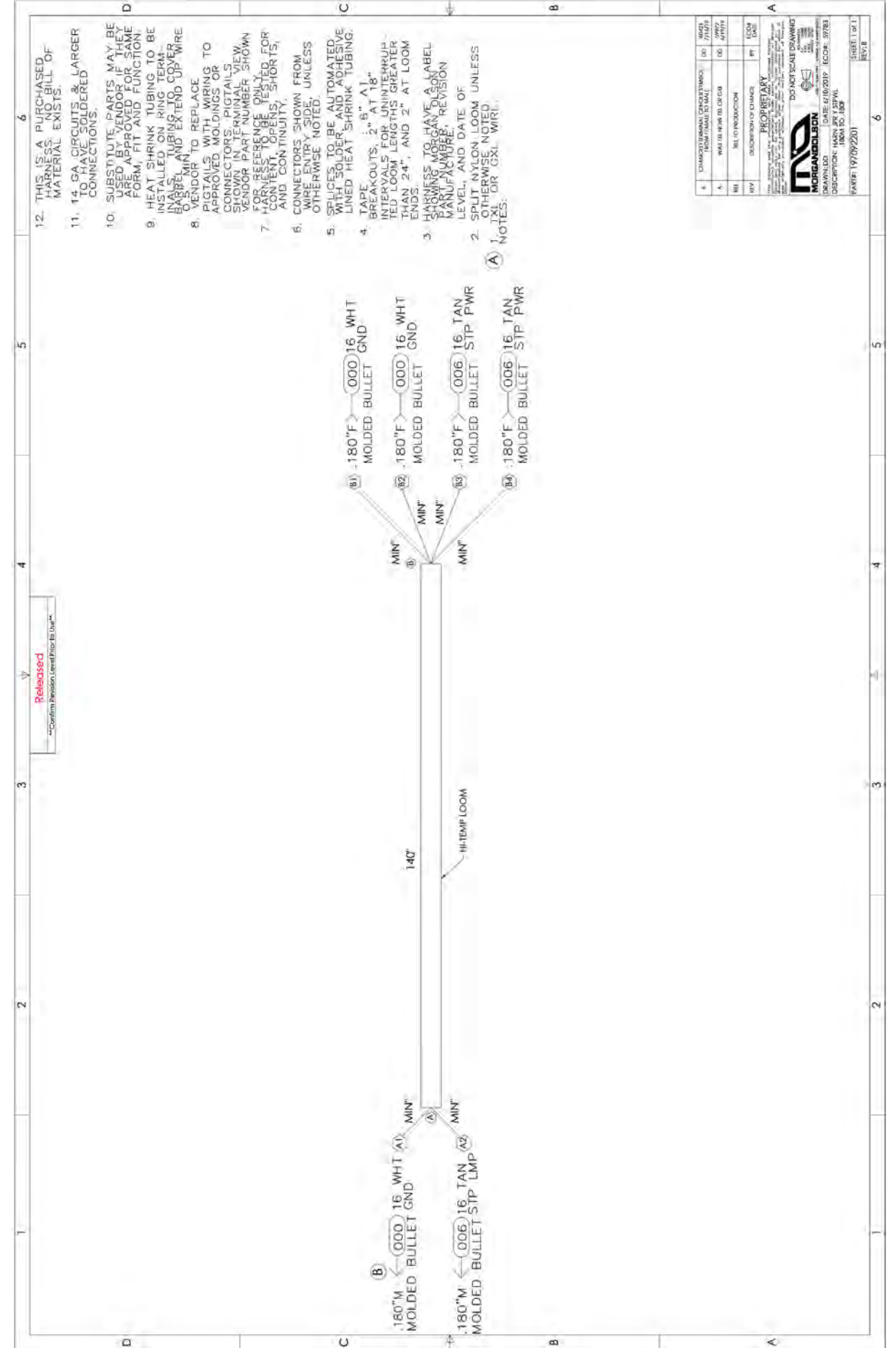
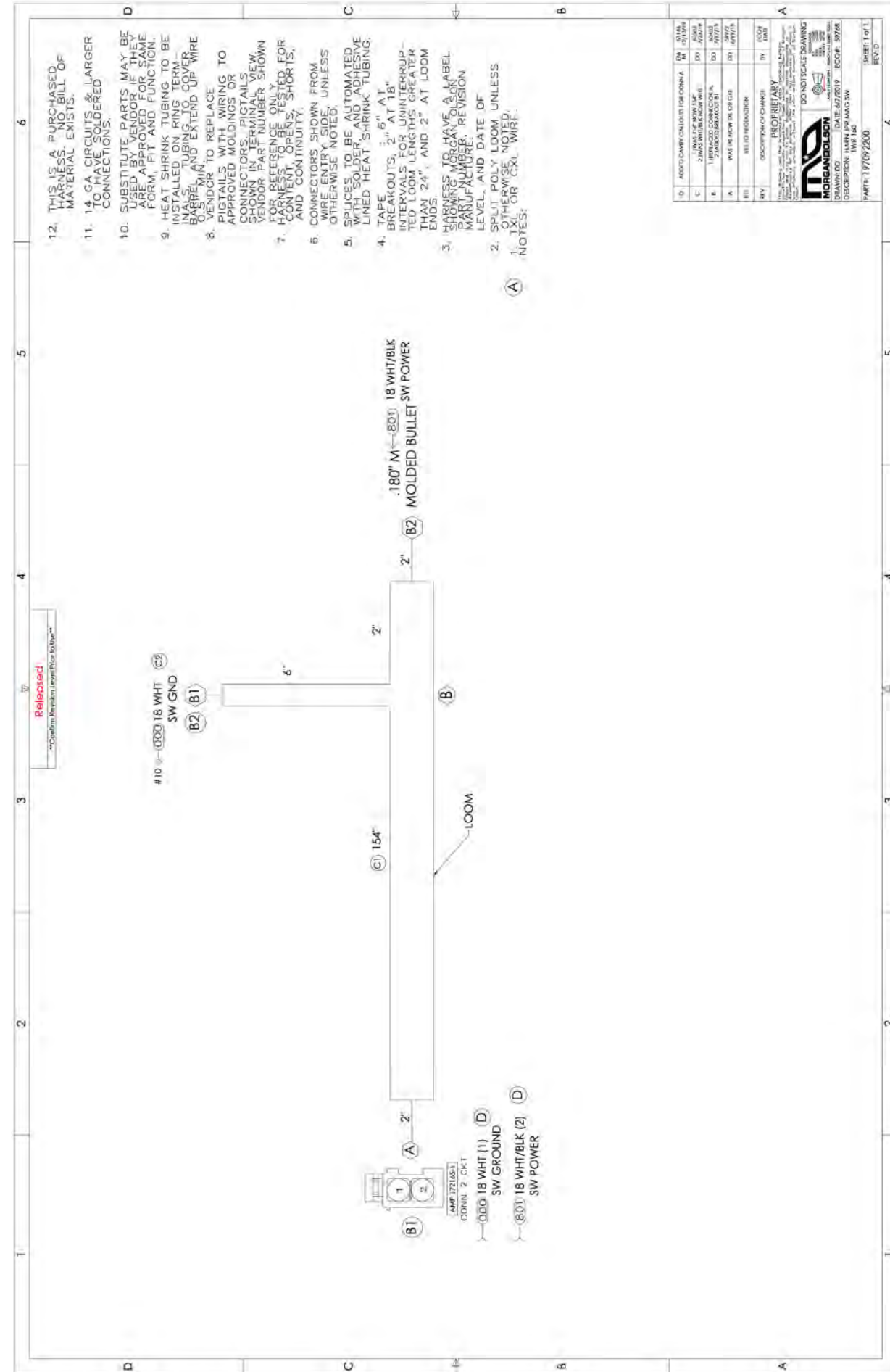


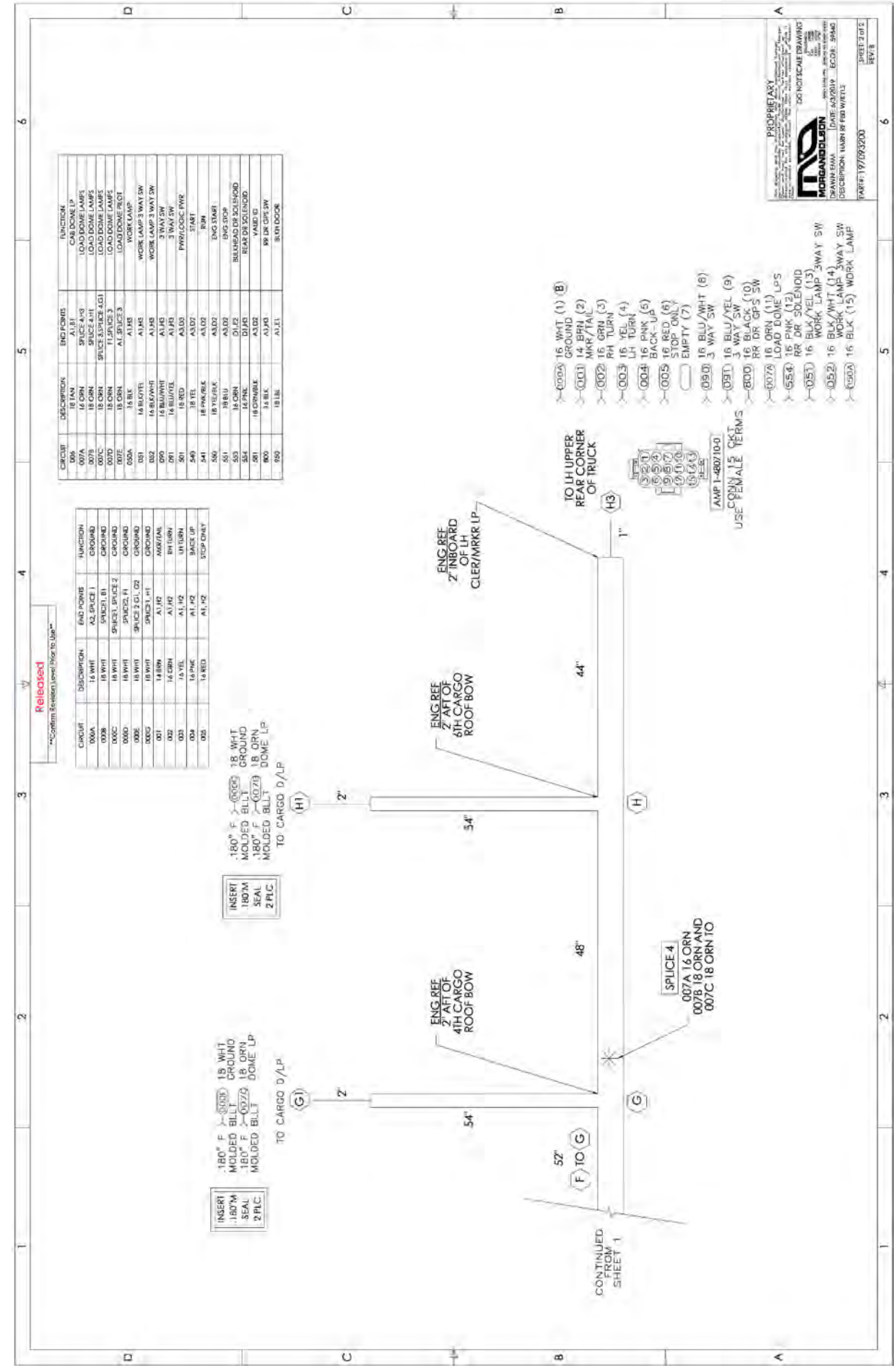
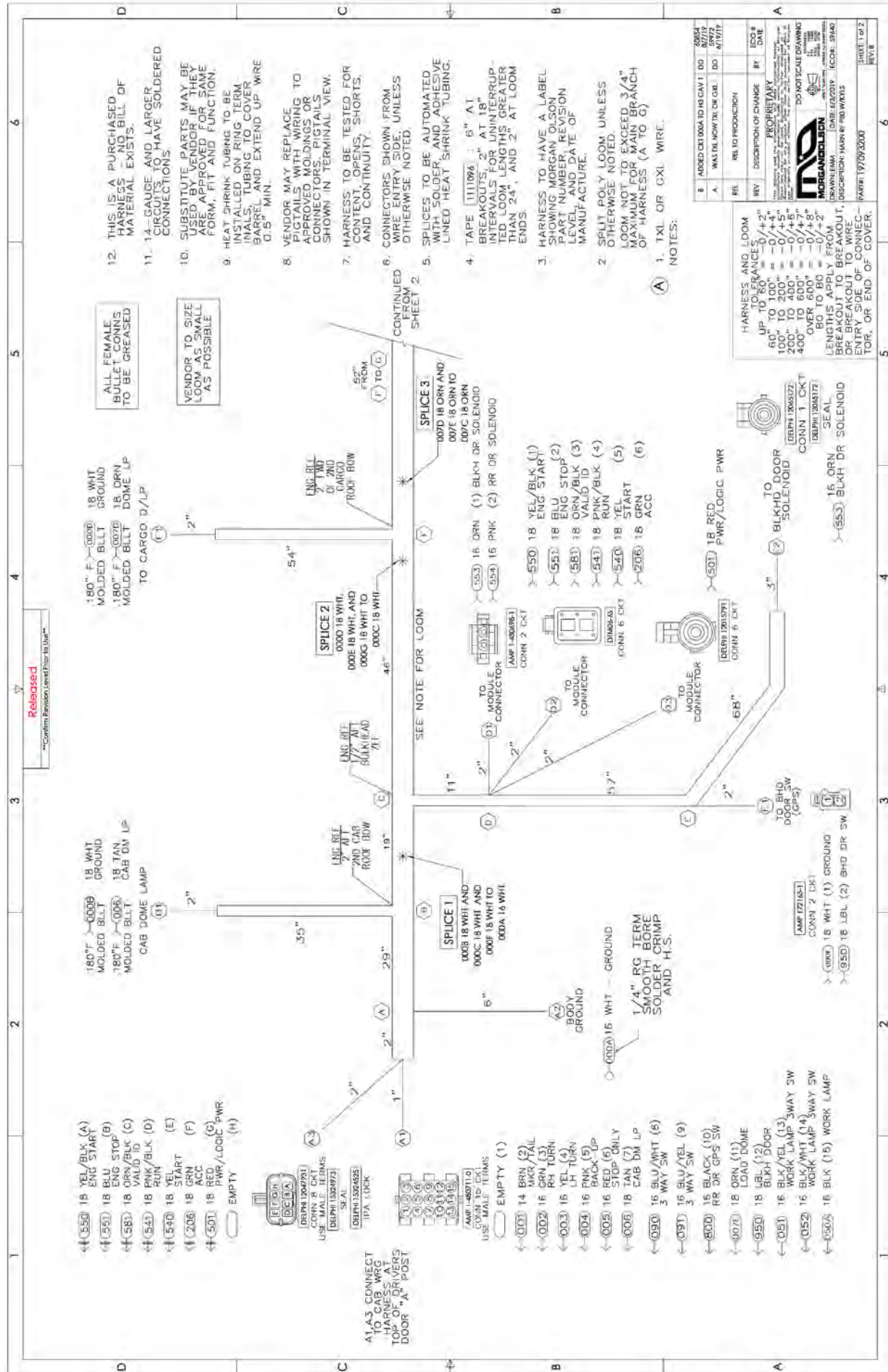




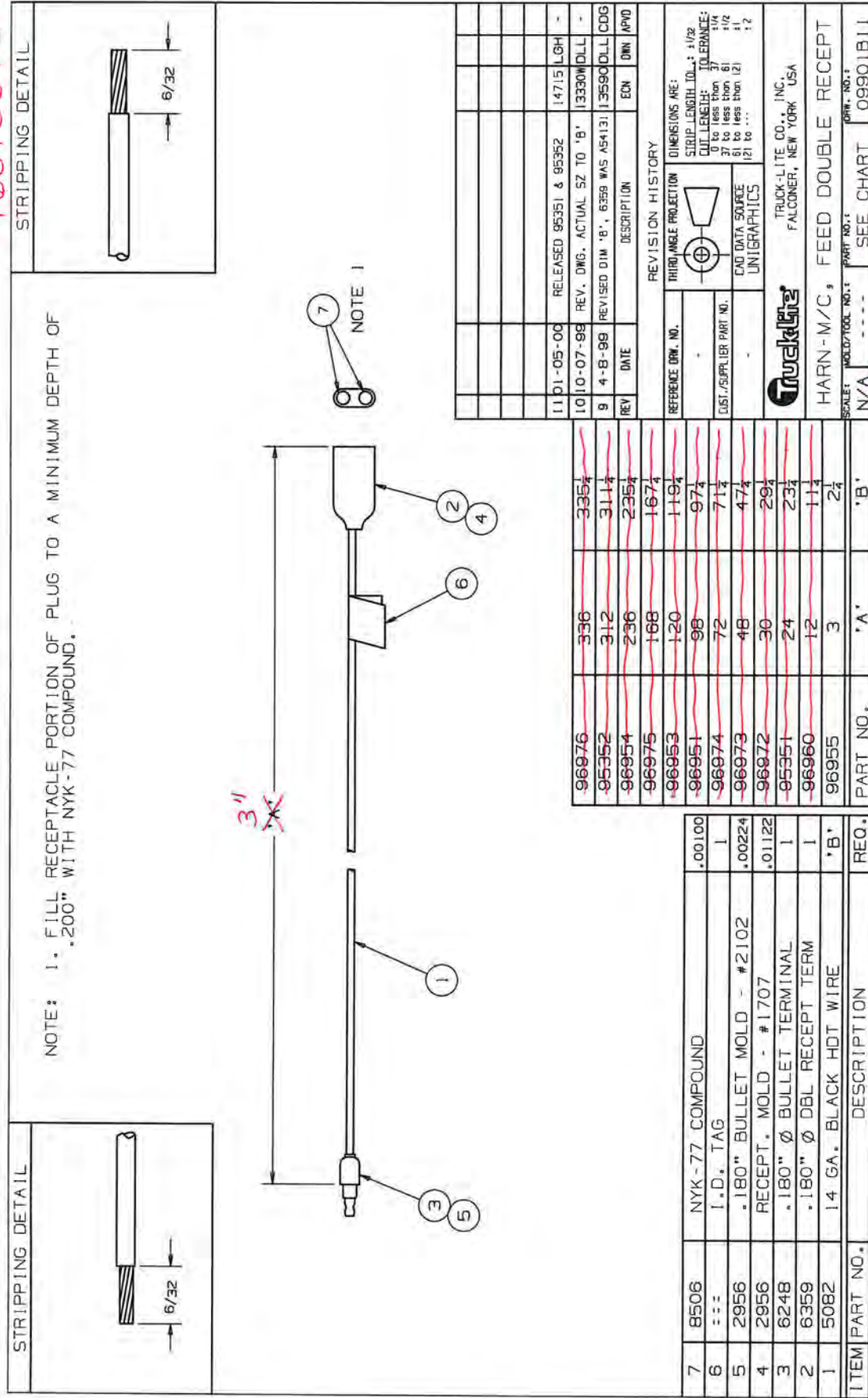








46010675



USB Cables shown for reference only - Not supplied by Morgan Olson



P/N 48200215 USB to Micro USB 1M



USB Cable - Type A M to F



Cable - Camera to Monitor

