

**MORGAN**  
**★ OLSON**

# ROUTE STAR<sup>®</sup>



## ALSCO SERVICE PARTS CATALOG



800.233.4823

[www.morganolsonolsonparts.com](http://www.morganolsonolsonparts.com)

TABLE OF CONTENTS	2
INTRODUCTION	3
CAB & ENGINE BOX	4-5
WINDSHIELD FRAME & GLASS	6
STEPS	7
HEATER	8-9
HOOD	10-11
INSTRUMENT PANEL	12
SEATS	13
FLOOR	14
ROOF	15
DRIVER SIDE WINDOW FILLER	16
FLOOR OVERLAYS	17
SIDES	18-19
SIDE DOOR	20
SIDE DOOR POCKET	21
BACK	22
BULKHEAD	23
REAR DOOR	24-27
CARGO CONTROL (SHELVING & PIPE HANGER)	28-29
BUMPERS	30
WIPER ASSEMBLY	31
MIRRORS	32-33
MISCELLANEOUS	34
REAR SONAR & 360 CAMERA	35
ELECTRICAL	36
WIRING HARNESS	37
WIRING DIAGRAMS	38-66
WALK IN VAN COMMON FASTENERS	67-71

This parts guide contains illustrations and part numbers for AlSCO Step Vans produced in 2023-24 and applies to bill of material JV004460.

### How to order parts from Morgan Olson.

The first step is to locate the part numbers you would like to order.

#### Method 1 (Recommended)

Go to our parts web site, [WWW.MORGANOLSONPARTS.COM](http://WWW.MORGANOLSONPARTS.COM) and search your vehicle VIN number to get a list of parts generated directly from your vehicles Bill of Material.

You can filter the list of items further by selecting the category for the location of the parts. IE. Bumper, Hood, Glass, Rear Door, etc.

You may change the search drop down menu to search by part number, description, unit number or VMRS number.

#### Method 2

Use this parts catalog to identify your part numbers.

Then go to [WWW.MORGANOLSONPARTS.COM](http://WWW.MORGANOLSONPARTS.COM) and search by part number to get pricing availability, add the items to your shopping cart.

#### Method 3

Call our Parts Department at 1-800-233-4823.

Please have your VIN number available and one of our customer service representatives will be able to help you identify the parts you need.

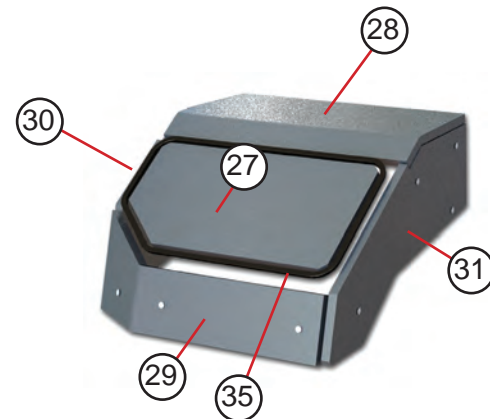
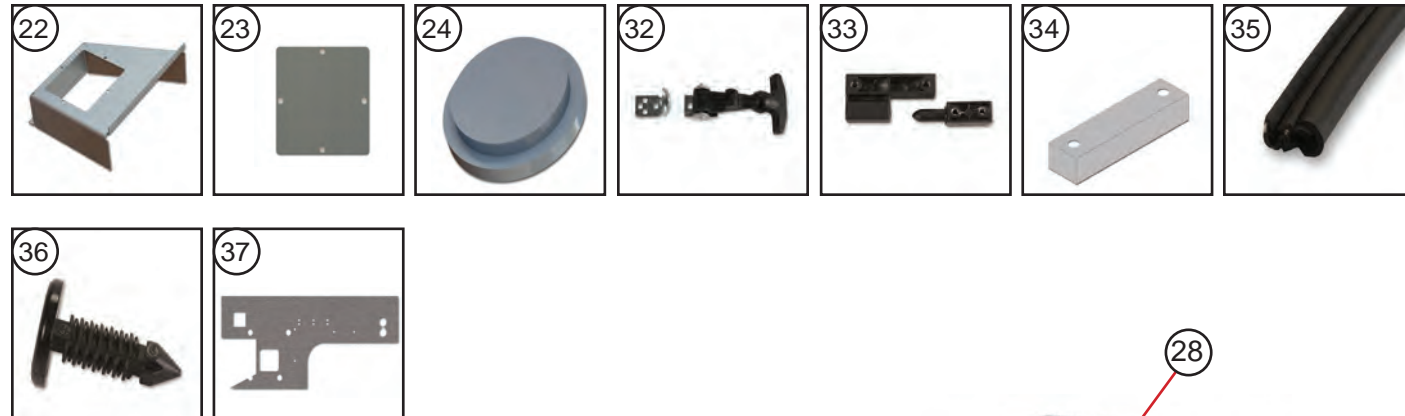
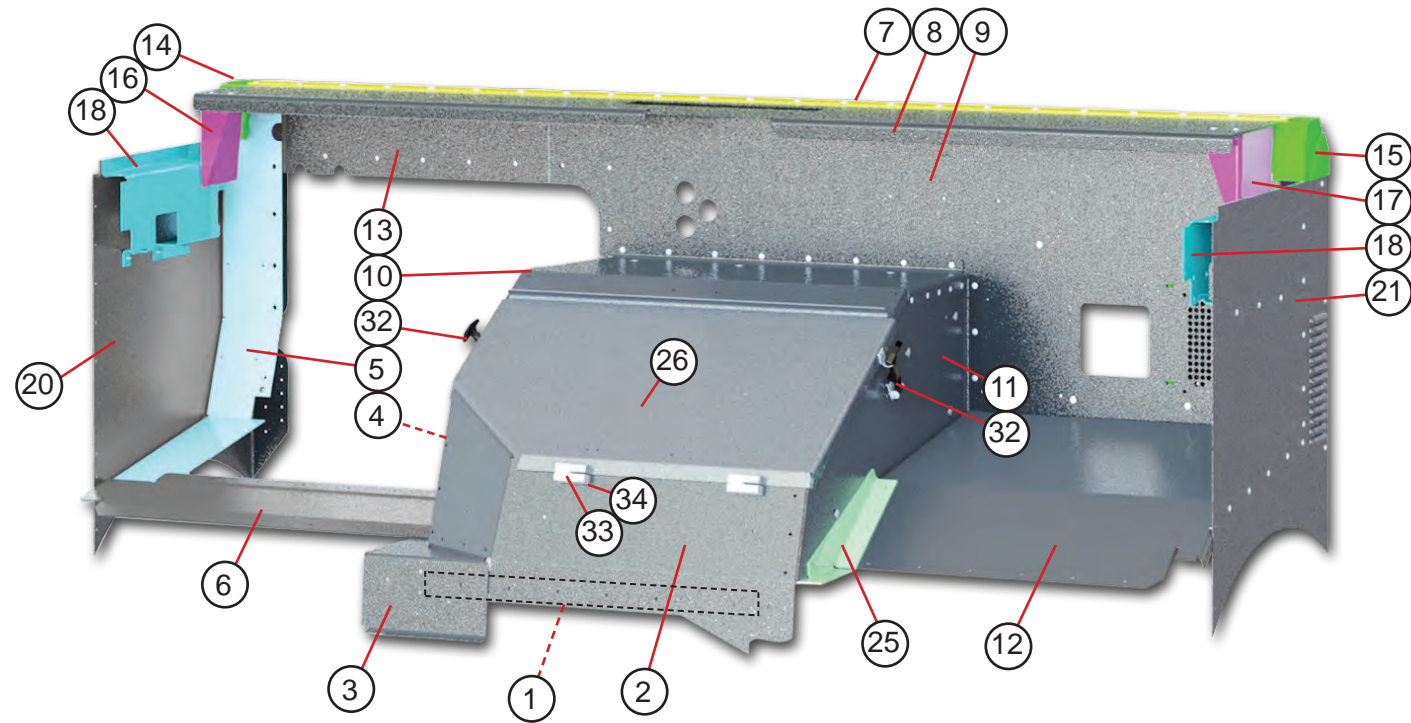
\*If you already know the part numbers for the items you want to order, use our Quick Order page to enter your part numbers and quantities, then click add to cart. [HTTPS://WWW.MORGANOLSONPARTS.COM/QUICK-ORDER](https://WWW.MORGANOLSONPARTS.COM/QUICK-ORDER)

FOR WARRANTY INFORMATION CALL 1-800-262-3437

ANY QUESTIONS OR CONCERNS SHOULD BE DIRECTED TO YOUR SERVICE PARTS REPRESENTATIVE AT 1-800-233-4823

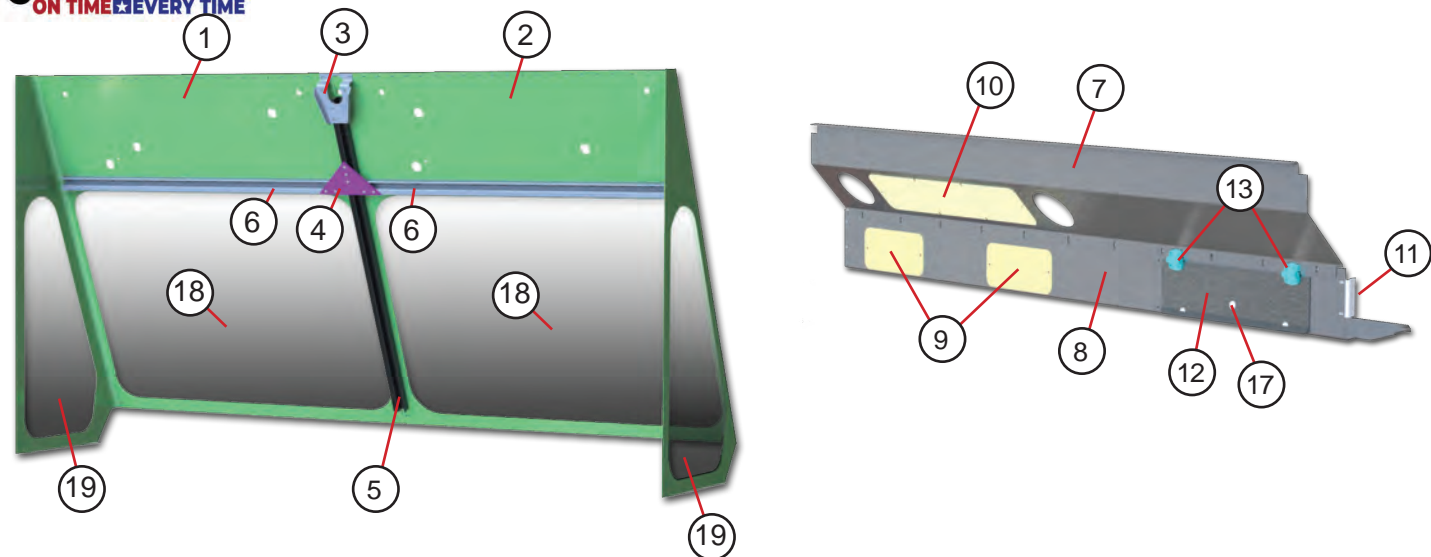
At Morgan Olson, our quest for quality and safety is ongoing and therefore the specifications on the product described herein may vary over time.

Please contact Morgan Olson for the latest product information and available safety features and options.

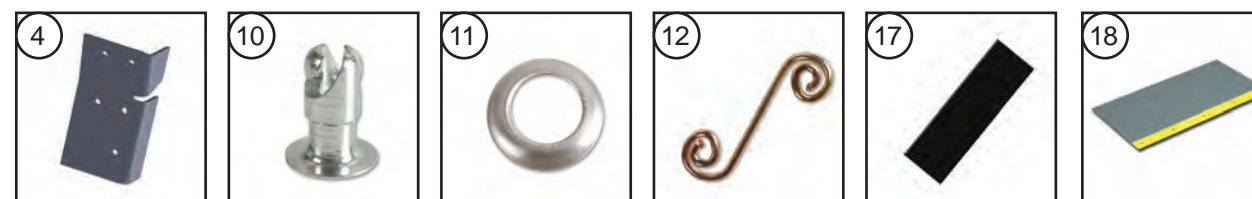
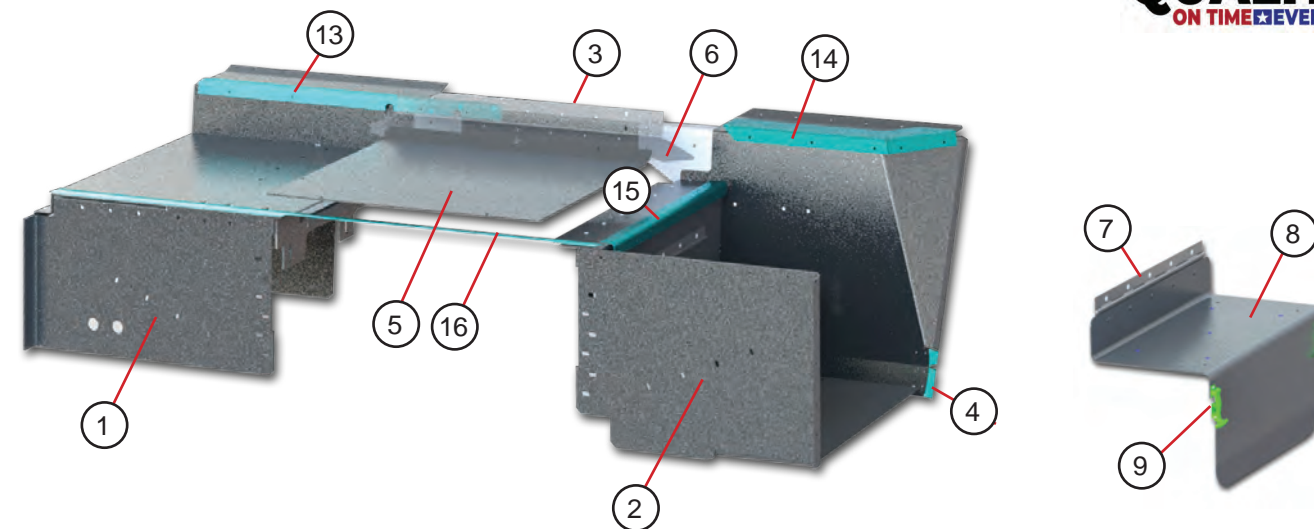


Item #	Part #	Description	Qty	Unit
1	<a href="#">077050402</a>	Shim AL .25X1.63X20.8	1	EA
2	<a href="#">190005400</a>	Engine Box Saddle AL .125X20.41X33.26	1	EA
3	<a href="#">187005416</a>	Filler Saddle Lower AL .125X11X14.98	1	EA
4	<a href="#">190005401</a>	Engine Box Side AL .102X19.64X30.51 LH	1	EA
5	<a href="#">188005402</a>	Dash Toeboard AL .125X7.1X44.47 LH	1	EA
6	<a href="#">188005401</a>	Toeboard 93W AL .125X8.48X32.59 LH	1	EA
7	<a href="#">083023402</a>	Rail Windshield 93W AL 851100X89	1	EA
8	<a href="#">217005432</a>	Dash Shelf 93W AL .125X13.73X89	1	EA
9	<a href="#">217005442</a>	Dash Wall Heater AL .125X25.89X63.86	1	EA
10	<a href="#">217005431</a>	Engine Box Top AL .125X15.86X33.58	1	EA
11	<a href="#">190005403</a>	Engine Box Housing AL .102X22.53X32.55 RH	1	EA
12	<a href="#">188005422</a>	Dash Panel AL .102X28X29.44 RH	1	EA
13	<a href="#">187005413</a>	Dash Wall AL .125X8.73X27.29 LH	1	EA
14	<a href="#">8502000</a>	Corner Casting AL W/S LH	1	EA
15	<a href="#">8502001</a>	Corner Casting AL W/S RH	1	EA
16	<a href="#">177005411</a>	Support Rail W/S AL .102X8.26X9.65 LH	1	EA
17	<a href="#">177005412</a>	Support Rail W/S AL .102X8.26X9.65 RH	1	EA
18	<a href="#">217005420</a>	Stiffener W/S AL .125X12.62X17.81 LH	1	EA
19	<a href="#">217005421</a>	Stiffener W/S AL .125X12.62X17.81 RH	1	EA
20	<a href="#">188005411</a>	Cab Skirt AL .07X27.42X30.57 LH	1	EA
21	<a href="#">188005407</a>	Cab Skirt AL .07X27.28X30.57 RH	1	EA
22	<a href="#">217005433</a>	Bracket Fresh Air Intake AL .102X15.06X19.64	1	EA
23	<a href="#">217005437</a>	Cover Plate - Fresh Air Intake AL .102X6.88X7.63	1	EA
24	<a href="#">46001404</a>	Hole Plug - Dash Wall 1.625"	1	EA
25	<a href="#">077050406</a>	Gusset Toeboard AL .125X5.23X14.88 RH	1	EA
26	<a href="#">190028400</a>	Lid Engine Box AL .102X19.33X34.47	1	EA
27	<a href="#">188028404</a>	Insulation Engine Box Lid 13.88X27.63	1	EA
28	<a href="#">188028405</a>	Insulation Engine Box Top 13.89X32.42	1	EA
29	<a href="#">188028406</a>	Insulation Engine Box Front 12.23X31.3	1	EA
30	<a href="#">188028407</a>	Insulation Engine Box Side 17.38X25.3 LH	1	EA
31	<a href="#">188028408</a>	Insulation Engine Box Side 17.54X29.8 RH	1	EA
32	<a href="#">1113336</a>	Latch Engine Box	2	EA
33	<a href="#">47007859</a>	Hinge Offset	2	EA
34	<a href="#">117028400</a>	Shim - Hinge	2	EA
35	<a href="#">1107270</a>	Seal Trim - Quick Edge	8	FT
36	<a href="#">47006630</a>	Clip Plastic - Round Head 1.32-1.34	12	EA
37	<a href="#">217116400</a>	Insulation - Dash Wall	1	EA



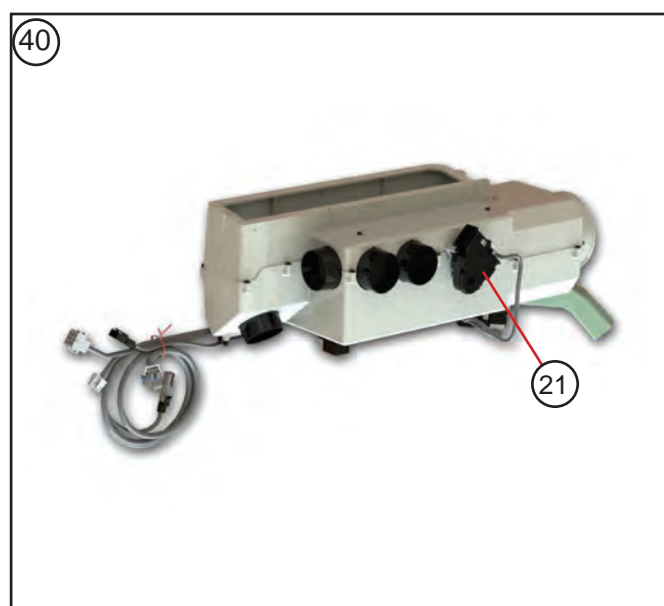
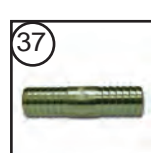
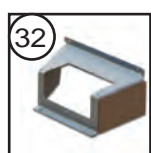
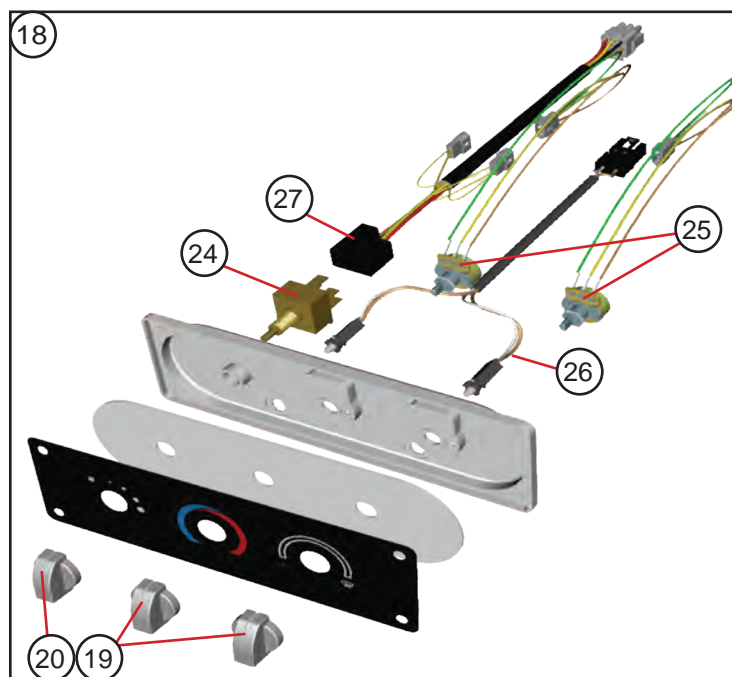
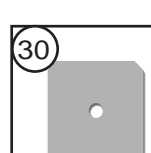
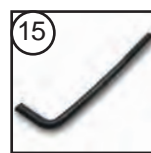
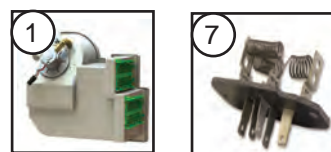
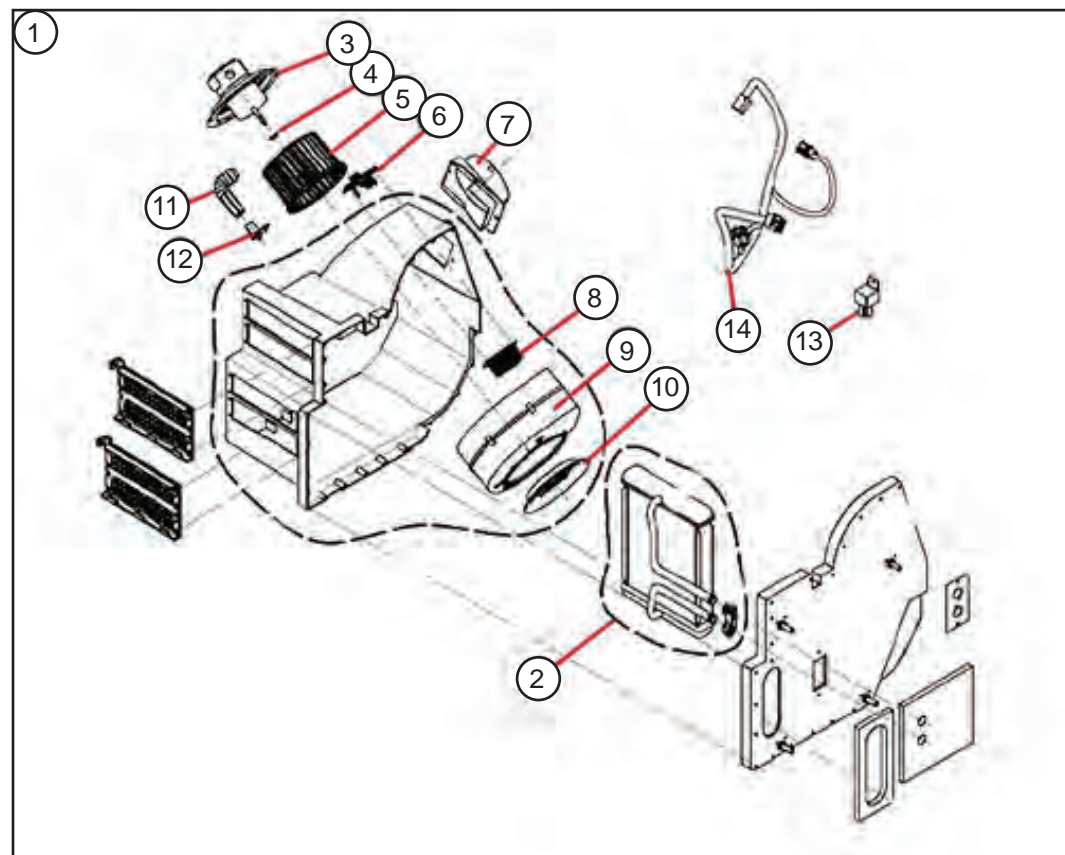


Item #	Part #	Description	Qty	Unit
1	227055400	Frame Windshield AL .102X53.45X69.93 LH	1	EA
2	227055401	Frame Windshield AL .102X53.45X70.25 RH	1	EA
3	<a href="#">077055402</a>	Gusset Frame W/S AL .125X6.49X7.27	1	EA
4	<a href="#">998555329</a>	Gusset Frame W/S AL .125X4.6X9.19	1	EA
5	<a href="#">077055401</a>	Post W/S Center AL 450540X44	1	EA
6	<a href="#">077055404</a>	Stiffener W/S AL 450540X44.25	2	EA
7	<a href="#">088076438</a>	Cover - Wiper Motor Upper AL .102X14.85X87.25	1	EA
8	237076400	Shelf - Wiper Motor Lower AL .102X16.75X90.31	1	EA
9	<a href="#">088076431</a>	Plate Cover - Wiper Motor AL .102X5X12	2	EA
10	<a href="#">097076435</a>	Plate Cover - Accessory AL .07X6X28.38	1	EA
11	<a href="#">088076449</a>	Bracket Mounting AL .102X2.36X3.9 LH	2	EA
12	<a href="#">103076400</a>	Cover - Compartment Door AL .102X5.81X23	1	EA
13	<a href="#">47007888</a>	Hinge	2	EA
14	<a href="#">1107102</a>	Rubber Bumper	2	EA
15	237076401	Divider - Wiper Shelf AL .102X9.76X9.89	1	EA
16	<a href="#">46023506</a>	Hole Plug - Rocker Switch Black @ Shelf Divider	1	EA
17	<a href="#">47001500</a>	Lock Cylinder W/2 Keys	1	EA
18	<a href="#">96756400</a>	Glass - Windshield	2	EA
19	<a href="#">006756400</a>	Glass - Side Window	2	EA
20	<a href="#">44004303</a>	Weather Strip - Windshield X147"	2	EA
21	<a href="#">44004309</a>	Weather Strip - Side Window X86.25"	2	EA



Item #	Part #	Description	Qty	Unit
1	208024233	Step Assembly LH 93W	1	EA
2	208024210	Step Assembly RH 93W	1	EA
3	<a href="#">077240400</a>	Cross Member Center AL 456106X41	1	EA
4	<a href="#">107024415</a>	Plate Filler AL .125X4.03X4.87 RH	1	EA
5	<a href="#">207024202</a>	Transverse Floor Assembly (Welded)	1	EA
6	<a href="#">208024412</a>	Angle - Floor Trim AL .102X6.49X38.7	1	EA
7	<a href="#">187024401</a>	Hinge AL .075X1.12X1.75X20	1	EA
8	<a href="#">167024405</a>	Lid Battery AL .125X22.25X23.9	1	EA
9	<a href="#">1113334</a>	Latch - Steps	2	EA
10	<a href="#">40900080</a>	Stud	8	EA
11	<a href="#">40900081</a>	Grommet Half	8	EA
12	<a href="#">40900082</a>	Spring	10	EA
13	<a href="#">103019402</a>	Trim Toeboard ALD .08X2.64X37.76 LH	1	EA
14	<a href="#">208019501</a>	Trim Toeboard ALD .08X7.66X24.63 RH	1	EA
15	<a href="#">090019403</a>	Trim Step ALD .08X2.69X26.5 RH	1	EA
16	200019400	Trim Mat @ O/Line ALD .08X2.32X63	1	EA
17	<a href="#">42002055</a>	Insulation Sound Absorbing Floormat 60X95	1	EA
18	45400807	Plate Step Fiberglass .125X9.72X19.75	1	EA
18	45400813	Plate Step Fiberglass .125X8.5X24.1	1	EA
NS	<a href="#">96724608</a>	Pad Dampening Vinyl 452000X9X20	1	EA

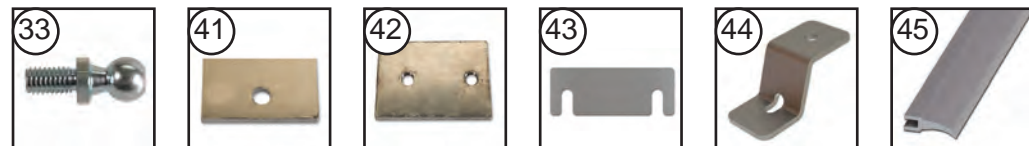
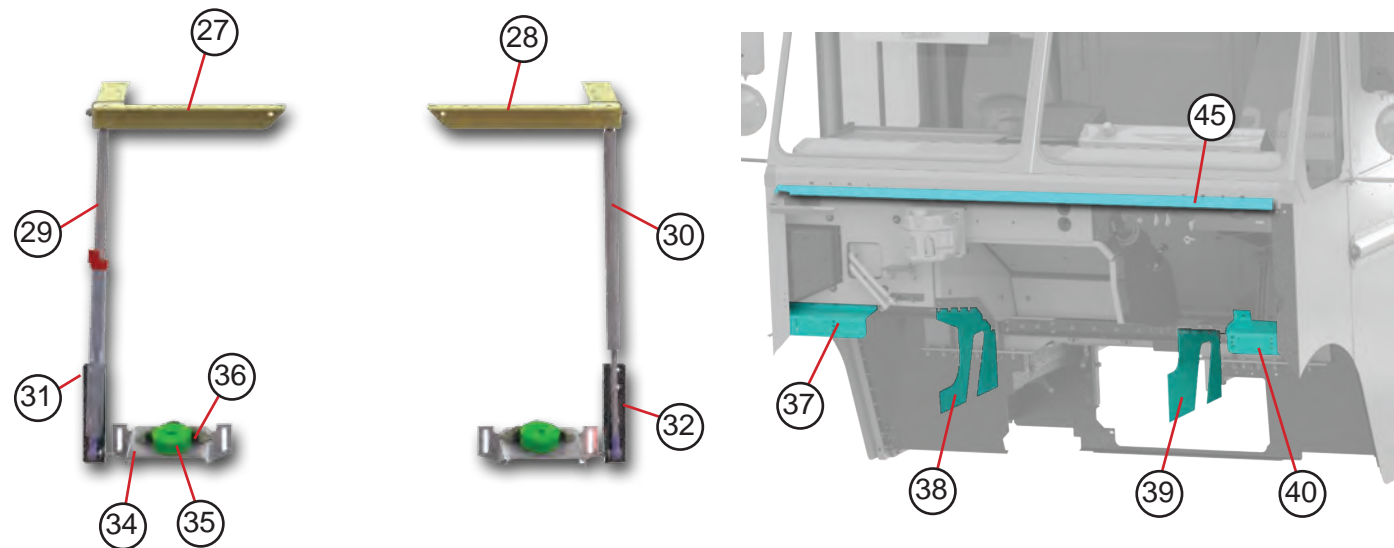
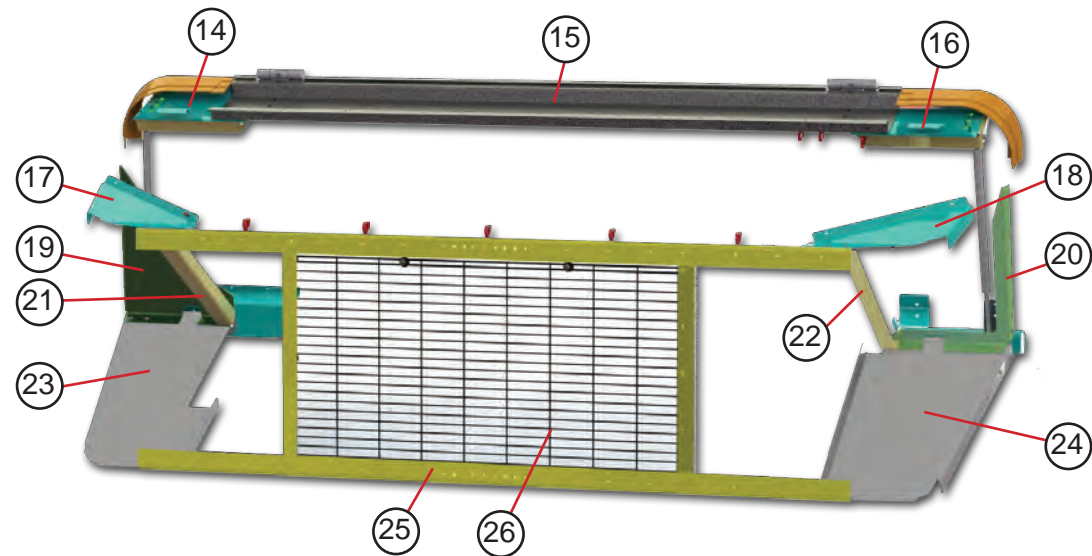
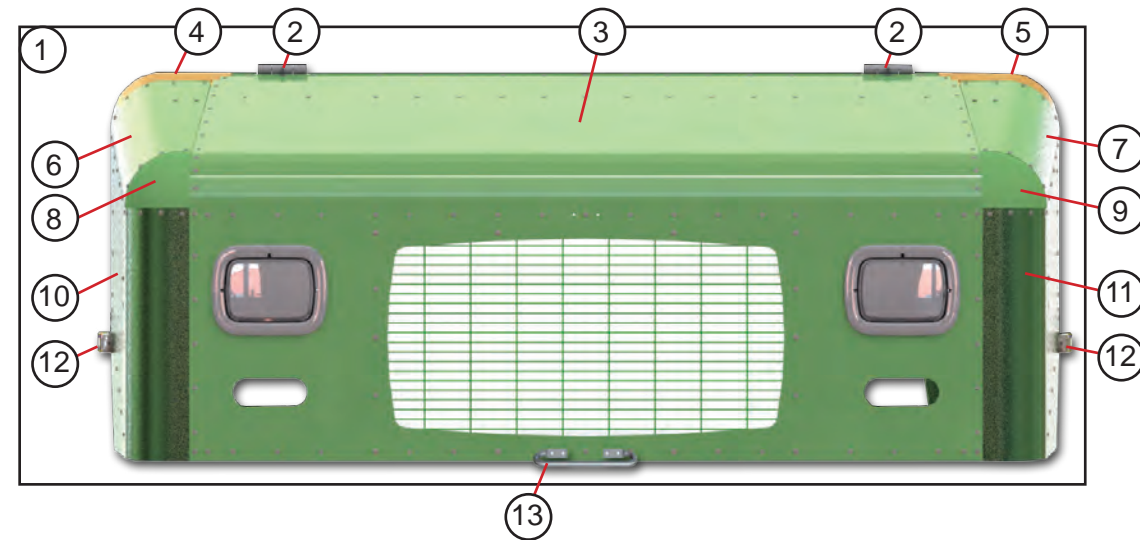




ITEM #	PART #	DESCRIPTION	QTY	UNIT
1	<a href="#">555001018</a>	Heater Assembly	1	EA
2	<a href="#">47008797</a>	Heater Coil W/ Gasket	1	EA
3	<a href="#">46032339</a>	Blower Motor	1	EA
4	<a href="#">47008799</a>	Clip - Retainer	1	EA
5	<a href="#">47008769</a>	Blower Wheel	1	EA
6	<a href="#">47008357</a>	Resistor	1	EA
7	<a href="#">47008800</a>	Hose Adaptor	1	EA
8	<a href="#">47008795</a>	Resistor Cage	1	EA
9	<a href="#">47008794</a>	Blower Housing	1	EA
10	<a href="#">47008796</a>	Venturi Ring	1	EA
11	<a href="#">47008730</a>	Vent Tube	1	EA
12	<a href="#">47008731</a>	Vent Tube Adapter	1	EA
13	<a href="#">47008716</a>	Relay 12V	1	EA
14	<a href="#">47008758</a>	Harness - Heater	1	EA
15	<a href="#">47008690</a>	Formed Heater Hose 9.25"	2	EA
16	<a href="#">555002053</a>	Water Valve	1	EA
17	<a href="#">215080400</a>	Bracket - Water Valve	1	EA
18	<a href="#">555001413</a>	Control Panel Assembly	1	EA
19	<a href="#">47008706</a>	Knob	2	EA
20	<a href="#">47008735</a>	Knob	1	EA
21	<a href="#">47008705</a>	Actuator Motor	1	EA
24	<a href="#">46023202</a>	Switch - Blower Motor	1	EA
25	<a href="#">47008710</a>	Potentiometer Switch	2	EA
26	<a href="#">47008711</a>	Harness Illumination W/Bulbs	1	EA
27	<a href="#">47008712</a>	Harness Blower Motor Switch	1	EA
28	<a href="#">555001721</a>	Defrost Duct - Curbside Metal	1	EA
29	<a href="#">555001722</a>	Defrost Duct - Roadside Metal	1	EA
30	<a href="#">093080400</a>	Hold Down Plate - Defroster Ducts	4	EA
31	<a href="#">555001523</a>	Hose Defroster 2.5X16	1	EA
31	<a href="#">555001524</a>	Hose Defroster 2.5x30	1	EA
31	<a href="#">555001525</a>	Hose Defroster 2.5x38	3	EA
31	<a href="#">555001526</a>	Hose Defroster 2.5x25	1	EA
32	<a href="#">217005438</a>	Bracket - Fresh Air Intake	1	EA
33	<a href="#">217005439</a>	Cover Plate - Fresh Air Intake	1	EA
34	<a href="#">555001715</a>	Louver - Ball Type	6	EA
35	<a href="#">200027500</a>	Bracket - Heater Vent	1	EA
36	<a href="#">555001533</a>	Hose Blower - Heater / Defroster 7.5"	1	EA
37	<a href="#">47008016</a>	Connector Straight .62ID	2	EA
38	<a href="#">090080401</a>	Duct - Foot Dump	1	EA
39	<a href="#">005780402</a>	Bracket - Foot Dump Mounting	1	EA
40	<a href="#">555001329</a>	Plenum Duct HVAC	1	EA



**Hood**

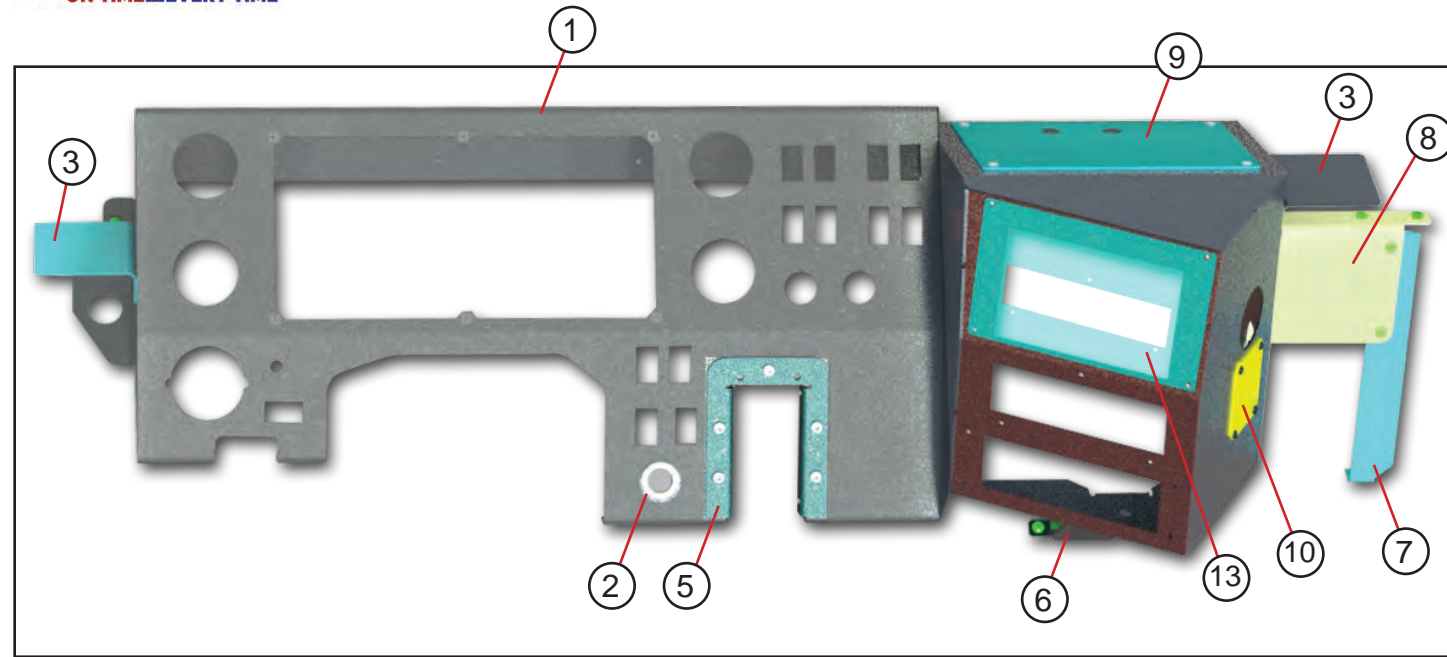


**Hood**

Item #	Part #	Description	Qty	Unit
1	<a href="#">227017000</a>	Hood - Installation	1	EA
2	<a href="#">47007852</a>	Hinge Assembly W/ Zerk Fitting	2	EA
3	<a href="#">167017401</a>	Panel Hood 93W AL .07X53.36X72	1	EA
4	<a href="#">45100061</a>	Cap Cowl End Aft AL Casting RH	1	EA
5	<a href="#">45100060</a>	Cap Cowl End Aft AL Casting LH	1	EA
6	<a href="#">167017405</a>	Cowl Hood AL .07X15.91X22.28 RH	1	EA
7	<a href="#">167017404</a>	Cowl Hood AL .07X15.91X22.28 LH	1	EA
8	<a href="#">45100058</a>	Corner Casting AL Knee Cowl Front RH	1	EA
9	<a href="#">45100057</a>	Corner Casting AL Knee Cowl Front LH	1	EA
10	<a href="#">167017407</a>	Skirt Hood AL .07X30.78X33.21 RH	1	EA
11	<a href="#">167017406</a>	Skirt Hood AL .07X30.78X33.21 LH	1	EA
12	<a href="#">47000614</a>	Latch Hood	2	EA
13	<a href="#">90187300</a>	Grab Handle AL .5DIA X 9"	1	EA
14	<a href="#">167017415</a>	Stiffener Hood AL .102X11.02X15 RH	1	EA
15	<a href="#">167017413</a>	Stiffener Hood AL 450015X68.62	1	EA
16	<a href="#">167017414</a>	Stiffener Hood AL .102X11.02X15 LH	1	EA
17	<a href="#">167017403</a>	Gusset Corner AL .07X13.43X14.73 RH	1	EA
18	<a href="#">167017402</a>	Gusset Corner AL .07X13.43X14.73 LH	1	EA
19	<a href="#">167017417</a>	Splash Pan Support AL .102X13.08X16.84 RH	1	EA
20	<a href="#">167017416</a>	Splash Pan Support AL .102X13.16X16.84 LH	1	EA
21	<a href="#">167017421</a>	Strap - Splash Pan AL .125X2.98X25.76 RH	1	EA
22	<a href="#">167017420</a>	Strap - Splash Pan AL .125X2.98X25.76 LH	1	EA
23	<a href="#">167017419</a>	Splash Pan - Hood AL .102X18.02X26.95 RH	1	EA
24	<a href="#">167017418</a>	Splash Pan - Hood AL .102X16.45X26.95 LH	1	EA
25	<a href="#">217017200</a>	Support Assembly - Grill 93W F59/FCC (Welded)	1	EA
26	<a href="#">45700101</a>	Grill Wire Mesh 20.5X38.81	1	EA
27	<a href="#">124016402</a>	Bracket Gas Spring AL .125X3.6X16.49 RH	1	EA
28	<a href="#">124016401</a>	Bracket Gas Spring AL .125X3.6X16.49 LH	1	EA
29	<a href="#">47006116</a>	Gas Spring W/ Lock 150LB 28/16.5 IGS	1	EA
30	<a href="#">47006117</a>	Gas Spring W/O Lock 150LB 28/16.5 IGS	1	EA
31	<a href="#">124016404</a>	Bracket Hood Lower AL .188X2.9X6.4 RH	1	EA
32	<a href="#">124016403</a>	Bracket Hood Lower AL .188X2.9X6.4 LH	1	EA
33	<a href="#">40900019</a>	Ball Stud	4	EA
34	<a href="#">077150400</a>	Support Hood Rest Steel 11GA X5.53X9.62	2	EA
35	<a href="#">44002004</a>	Bumper Rubber	2	EA
36	<a href="#">96713300</a>	Angle Hood Rest Steel 11GA X1.85X4.74	2	EA
37	<a href="#">077260404</a>	Splash Pan AL .125X8.49X19.49 RH	1	EA
38	<a href="#">118026408</a>	Splash Shield RH Vinyl	1	EA
39	<a href="#">118026407</a>	Splash Shield LH Vinyl	1	EA
40	<a href="#">218026402</a>	Splash Pan AL .125X11.27X16.32 LH	1	EA
41	<a href="#">96717312</a>	Shim - Hood Hinge AL .055X.63X1.88	2	EA
42	<a href="#">91617304</a>	Tap Plate - Hood Hinge AL .188X2X2.69	2	EA
43	<a href="#">237017402</a>	Shim - Hood Hinge AL .125X1.75X4.63	2	EA
44	<a href="#">227017400</a>	Bracket Reinforcement Steel 11GA X1.5X4.06	2	EA
45	<a href="#">44004002</a>	Trim - Drip Edge	7.33	FT

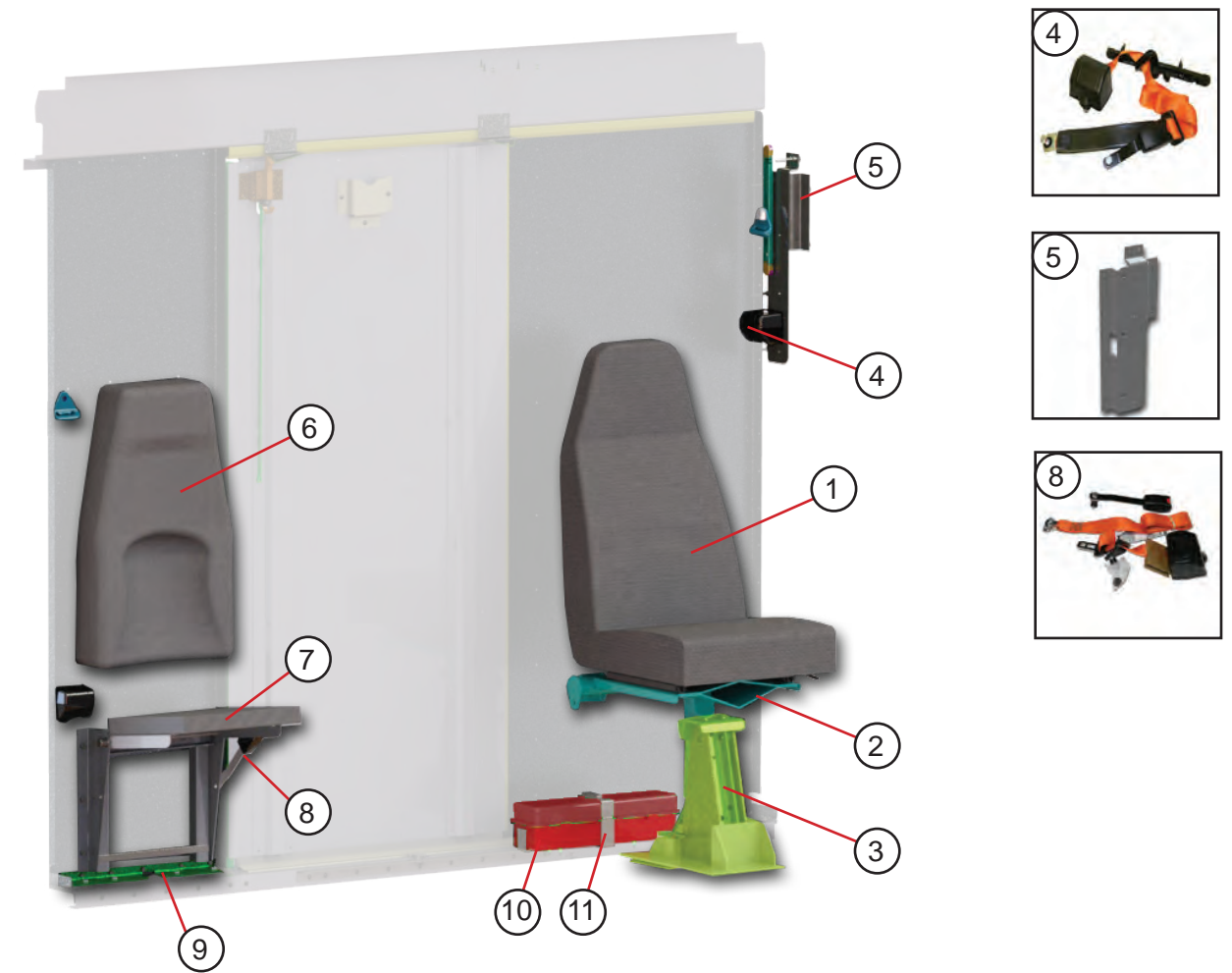


### Instrument Panel



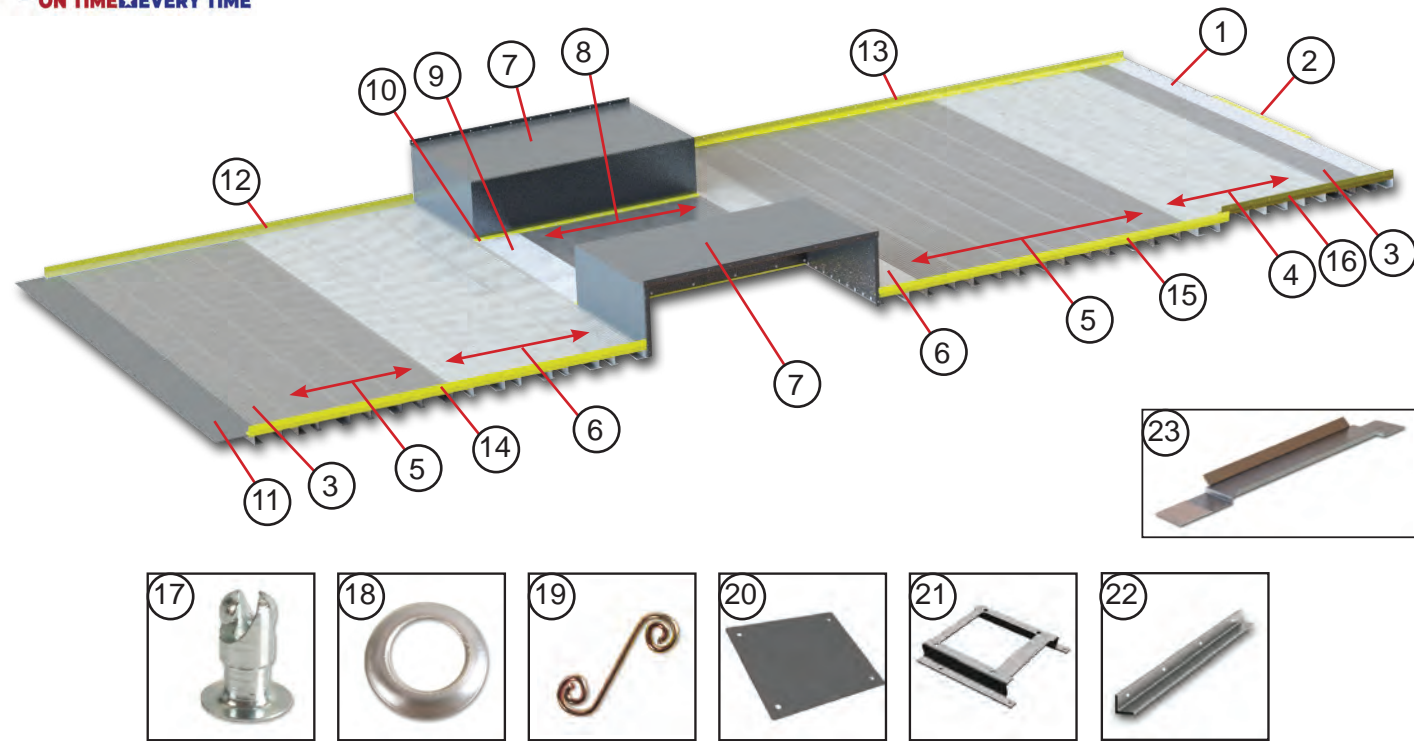
ITEM #	PART #	DESCRIPTION	QTY	UNIT
1	<a href="#">228027201</a>	Instrument Panel Weldment	1	EA
2	<a href="#">006327209</a>	Spacer Ignition Switch	1	EA
3	<a href="#">220027400</a>	Mounting Bracket	2	EA
4	<a href="#">40300919</a>	Fastener - Christmas Tree	2	EA
5	<a href="#">002027423</a>	Bracket Shifter Steel 11GA X4.87X6.43	1	EA
6	<a href="#">215027409</a>	Bracket I/P AL .102X4.32X10.55	1	EA
7	<a href="#">118027414</a>	Brace AL .125X1.91X12.9	1	EA
8	<a href="#">114027403</a>	Bracket Mounting AL .125X6.49X8.51	1	EA
9	<a href="#">218027409</a>	Plate Access Cover AL .102X9X11	1	EA
10	<a href="#">180027410</a>	Plate HVAC Cover AL .102X3X3.46	1	EA
11	<a href="#">1111520</a>	Hole Plug	1	EA
12	<a href="#">46026432</a>	Power Port USB 5V Output	1	EA
13	<a href="#">230024400</a>	Plate I/P Cover AL .07X5.74X9.6	1	EA
14	<a href="#">1111513</a>	Hole Plug	1	EA
15	<a href="#">46026378</a>	Recepticle 12V Power W/ Tether SS Body	1	EA
16	<a href="#">118027417</a>	Plate Rocker Switch AL .102X2.5X8.75	1	EA

### Seats



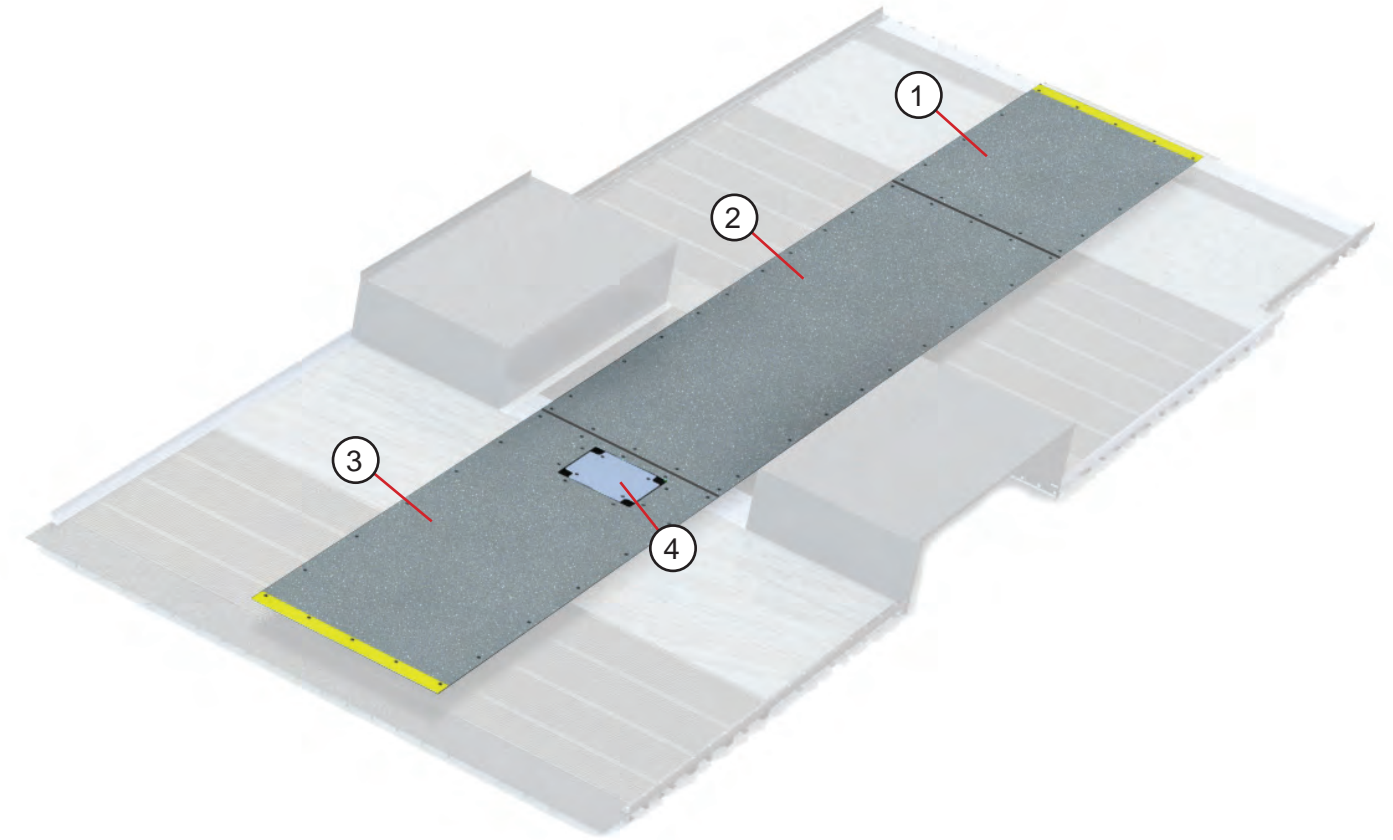
Item #	Part #	Description	Qty	Unit
1	<a href="#">47004655</a>	Driver Seat Cloth Black	1	EA
2	<a href="#">47004332</a>	Pedestal Seat Upper 3Point	1	EA
3	<a href="#">47012658</a>	Seat Socket Assembly 3Point Non-Tilt	1	EA
4	<a href="#">47003199</a>	Seat Belt 7IN Adjustable D-Loop Orange	1	EA
5	<a href="#">98M582030</a>	Brace Support Steel 7GA X9.49X23.46	1	EA
6	<a href="#">47006002</a>	Seat Head Back/Rest Contured Black Cloth	1	EA
7	<a href="#">47002701</a>	Jump Seat Folding Black Cloth	1	EA
8	<a href="#">47004366</a>	Seat Belt W/Boot 3Point Orange	1	EA
9	<a href="#">91614300</a>	Angle Floor AL .188X2.84X19.1	1	EA
10	<a href="#">47009547</a>	Safety Triangles Kit	1	EA
11	<a href="#">47009548</a>	Bracket - Mounting Flare & Triangle Kit	1	EA

**Floor**



Item #	Part #	Description	Qty	Unit
1	<a href="#">083033509</a>	Beam @ O-Line AL 450088X89.38	1	EA
2	<a href="#">001730412</a>	Angle Step AL 450187X32	1	EA
3	<a href="#">45058303</a>	Beam AL Floor Ribbed 7X92.25	2	EA
4	<a href="#">45058401</a>	Beam AL Floor Ribbed M/FEM 8X92.25	4	EA
5	<a href="#">45058603</a>	Beam AL Floor Ribbed 9X92.25	9	EA
6	<a href="#">45058701</a>	Beam AL Floor Ribbed M/FEM 8.5X92.25	5	EA
7	<a href="#">95869202</a>	Wheel Box Assembly 93W 10" DW AL .102 KBK	2	EA
8	<a href="#">45058611</a>	Beam AL Floor Ribbed M-FEM 9X40.44	4	EA
9	<a href="#">45058502</a>	Beam AL Floor Ribbed M-M 8X40.44	1	EA
10	<a href="#">95869302</a>	Angle Wheel Box Attach AL 450018X44	2	EA
11	<a href="#">088033403</a>	Plate Filler Rear AL .125X7.68X92.38	1	EA
12	<a href="#">215031510</a>	Angle Floor/Side Attach AL 450303X70.18 RH	1	EA
13	<a href="#">228031400</a>	Angle Floor/Side Attach AL 450303X106 LH	1	EA
14	<a href="#">215031509</a>	Angle Floor/Side Attach AL 450303X70.18 LH	1	EA
15	<a href="#">215031506</a>	Angle Floor/Side Attach AL 450303X69.75 RH	1	EA
16	<a href="#">215031500</a>	Angle Floor/Side Attach AL 450303X36.25 RH	1	EA
17	<a href="#">40900080</a>	Stud	4	EA
18	<a href="#">40900081</a>	Grommet Half	4	EA
19	<a href="#">40900082</a>	Spring	4	EA
20	<a href="#">108012400</a>	Cover Plate Access Door AL .125X9.61X11.62	1	EA
21	<a href="#">128012409</a>	Support Access Door AL .125X12.69X17.22	1	EA
22	<a href="#">150012400</a>	Angle Support - Access Door AL 450185X29	2	EA
23	<a href="#">117032401</a>	Heat Shield ADLTR AL .07X3.75X5.12	1	EA

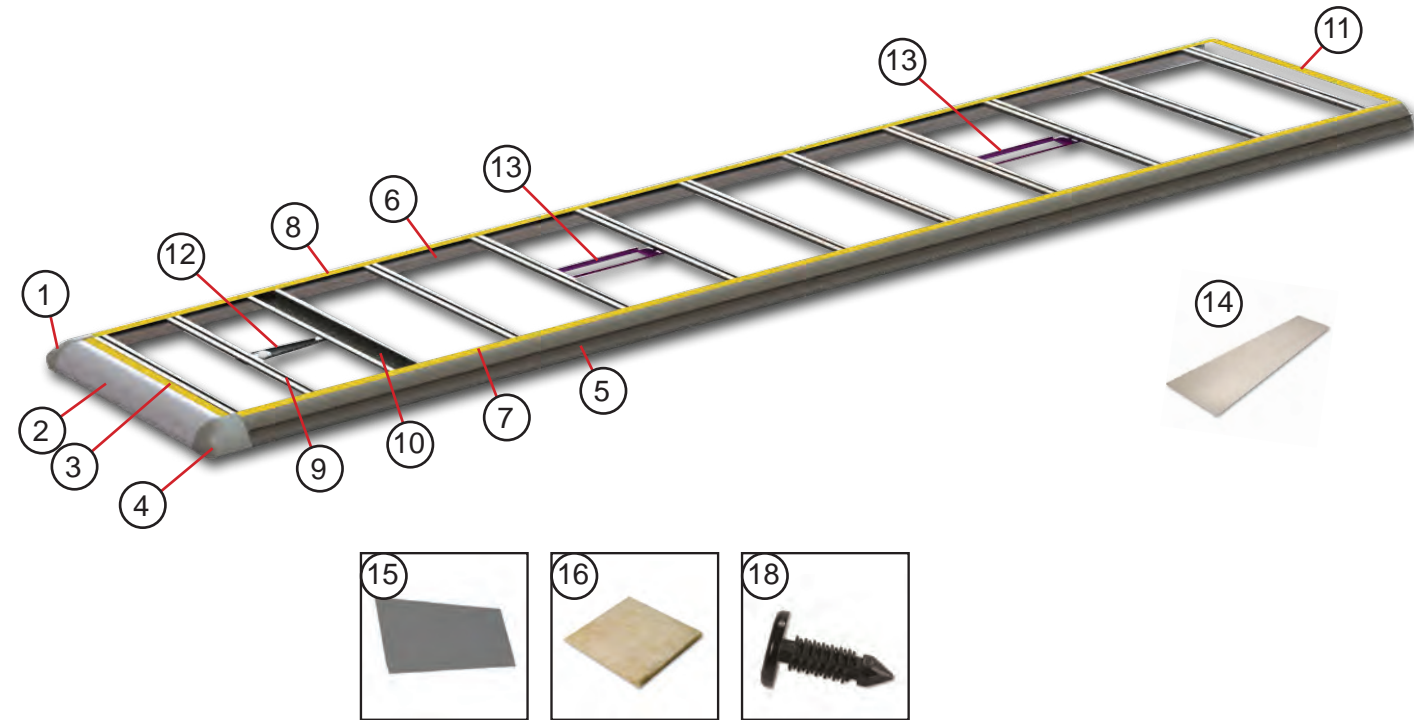
**Floor Overlays**



Item#	Part#	Description	Qty	Unit
1	<a href="#">230100401</a>	Floor Overlay Forward Fiberglass .09X30X46	1	EA
2	<a href="#">230100402</a>	Floor Overlay Center Fiberglass .09X30X98	1	EA
3	<a href="#">230100403</a>	Floor Overlay Rear Fiberglass .09X30X70	1	EA
4	<a href="#">230100404</a>	Floor Overlay Access Panel Fiberglass X.09X9.56X11.63	1	EA

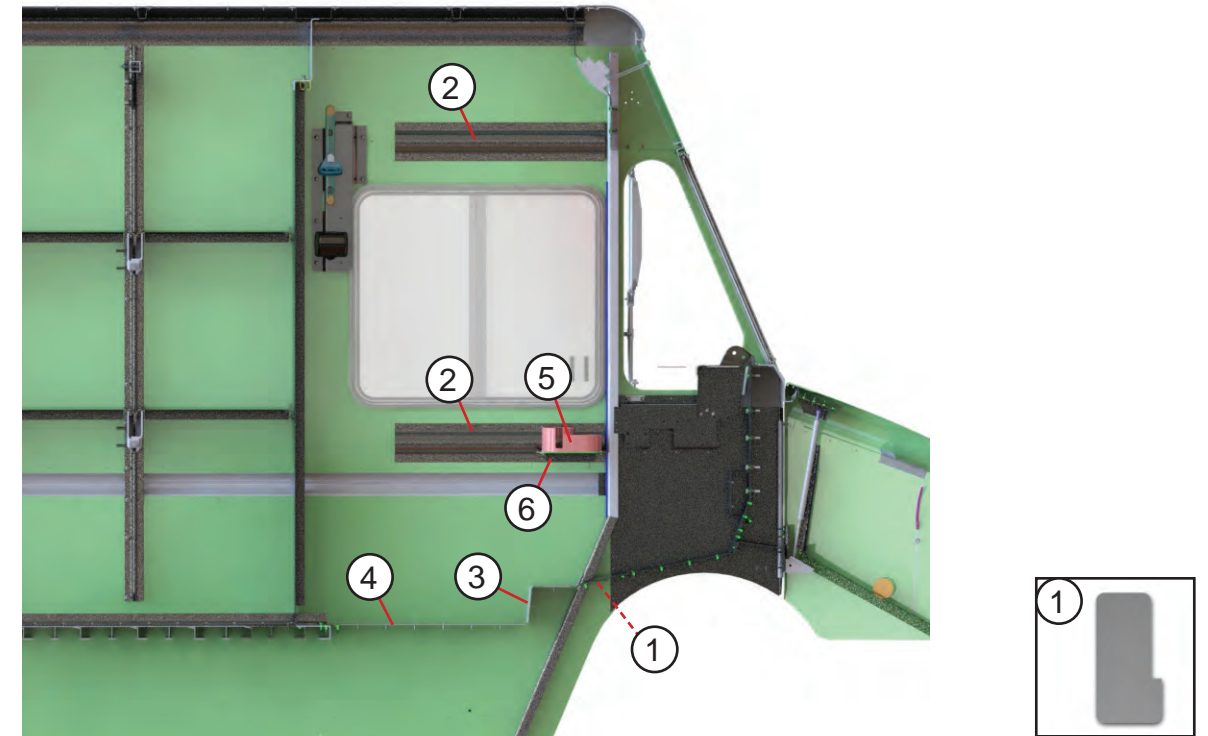


**Roof**

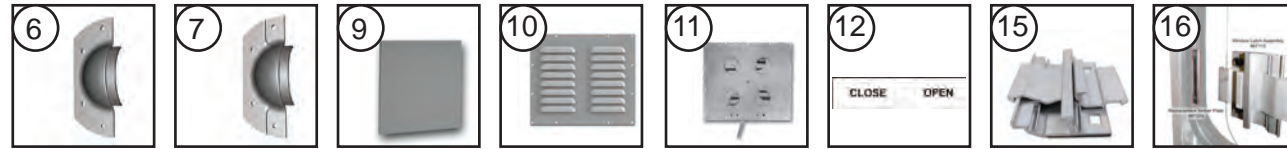
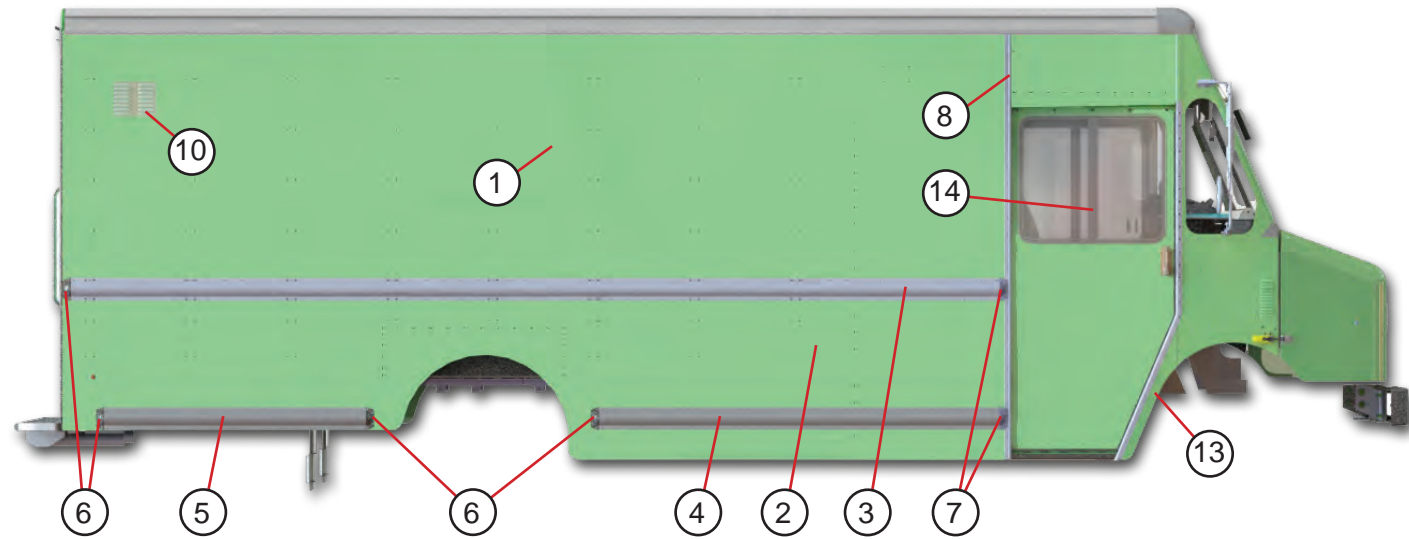


Item #	Part #	Description	Qty	Unit
1	<a href="#">077100401</a>	Corner Casting AL Roof RH	1	EA
2	<a href="#">083010400</a>	Nose 93W AL 456107X82.5	1	EA
3	<a href="#">89310506</a>	Interlock Roof Nose AL 45014X81.75	1	EA
4	<a href="#">077100400</a>	Corner Casting AL Roof LH	1	EA
5	<a href="#">098010413</a>	Rail Roof 18' 456144X261.25 LH	1	EA
6	<a href="#">098010414</a>	Rail Roof 18' 456144X261.25 RH	1	EA
7	<a href="#">088010516</a>	Interlock Roof Rail AL 450140X261.25 LH	1	EA
8	<a href="#">088010517</a>	Interlock Roof Rail AL 450140X261.25 RH	1	EA
9	<a href="#">45601603</a>	Roof Bow Steel 16GA SEC456016 X89.12	11	EA
10	<a href="#">118010402</a>	Roof Bow @ O-Line 14GA GLNX9.58X89.12	1	EA
11	<a href="#">89310507</a>	Interlock Roof Rear AL 450140X79.13	1	EA
12	<a href="#">187092400</a>	Bracket Dome Lamp Cab AL .102X7.5X20	1	EA
13	<a href="#">100092401</a>	Bracket Dome Lamp Cargo AL .07X9.26X24.75	2	EA
14	<a href="#">45200851</a>	Roof Skin Fiberglass .075X82.25XFT	21.98	FT
15	<a href="#">118011402</a>	Roof Liner X37.13X86.75	1	EA
16	<a href="#">1109001</a>	Insulation Fiberglass 1X48X200FT	7.25	FT
NS	<a href="#">100011400</a>	Polyester Filler @ Liner 4200200 4X22.5	3	EA
18	<a href="#">47006610</a>	Clip Plastic Flat head	33	EA

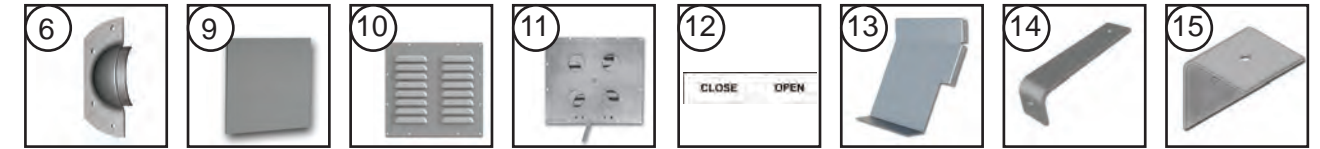
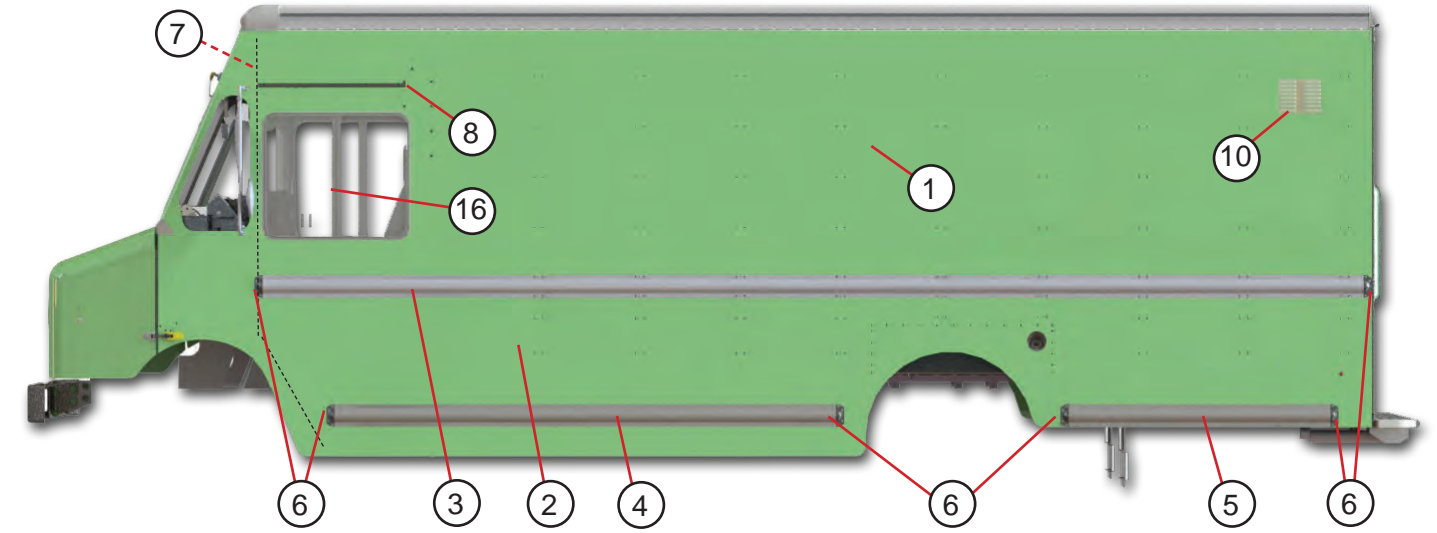
**Side Window Filler**



Item #	Part #	Description	Qty	Unit
1	<a href="#">198005401</a>	Plate Filler A Post AL .07X2X4	1	EA
2	<a href="#">03M545058</a>	Stiffener @ Sliding Window AL X29.5 DLH	2	EA
3	<a href="#">083005459</a>	Plate Filler AL .07X5.83X13.63 DLH	1	EA
4	<a href="#">083005452</a>	Plate Filler AL .07X4.08X27.58 DLH	1	EA
5	<a href="#">42007001</a>	Cup Holder Plastic Black	1	EA
6	<a href="#">220140400</a>	Bracket Mounting AL .102X6.86X10	1	EA



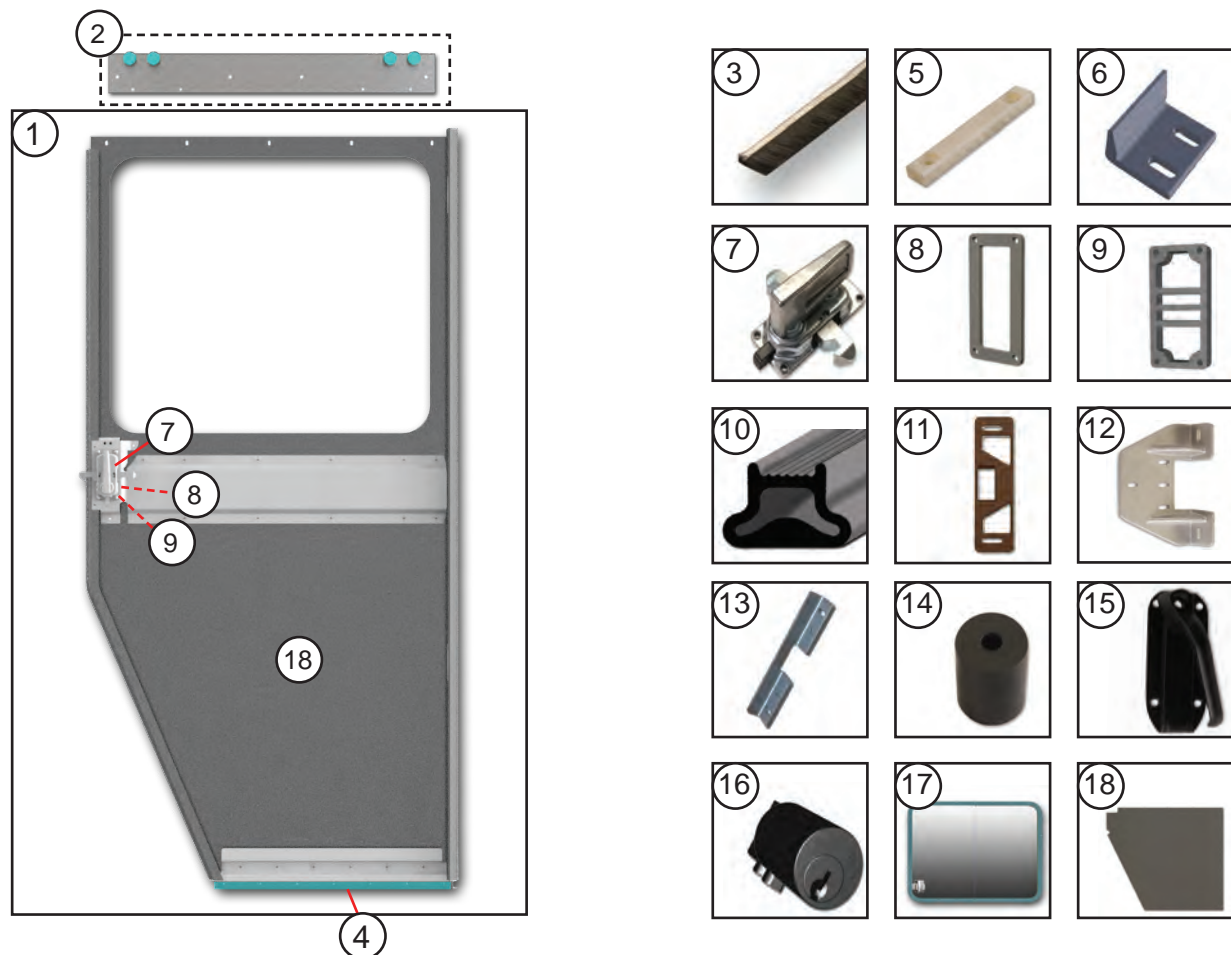
Item #	Part #	Description	Qty	Unit
1	238038411	Side Panel Upper AL .102X60X225.31 L/R	1	EA
2	238037435	Side Panel Lower AL .102X38.79X225.31 RH	1	EA
3	<a href="#">088039307</a>	Rub Rail AL 450002X221	1	EA
4	<a href="#">148039443</a>	Rub Rail Lower AL 450002X95.32	1	EA
5	<a href="#">148039433</a>	Rub Rail Lower AL 450002X62.32	1	EA
6	<a href="#">1100799</a>	End Cap Rear AL .125X2.37X5.5	4	EA
7	<a href="#">1100800</a>	End Cap Forward AL .125X2.37X5.5	2	EA
8	<a href="#">107400401</a>	B-Post AL 450274X101.12 RH	1	EA
9	<a href="#">7600165</a>	Plate Filler AL .125X3.19X2.5	1	EA
10	<a href="#">47008555</a>	Vent - Louvered	1	EA
11	<a href="#">1114124</a>	Open/Close Baffle for Vent W/ Handle	1	EA
12	43000530	Label - Vent Open / Close	1	EA
13	<a href="#">157022401</a>	Skirt Tail RH AL .07X15.58X33.82	1	EA
14	<a href="#">1334309001</a>	Sliding Window RH	1	EA
15	<a href="#">967110</a>	Replacement Latch/Handle - Sliding Window	1	EA
16	<a href="#">967203</a>	Replacement Striker - Sliding Window	1	EA
NS	<a href="#">001744400</a>	Strap - Reinforcement Floor to Side	3	EA



Item #	Part #	Description	Qty	Unit
1	238046402	Side Panel Upper AL .102X60X266.31 DLH	1	EA
2	238045409	Side Panel Lower AL .102X38.79X266.31 DLH	1	EA
3	<a href="#">088039329</a>	Rub Rail AL 450002X262.31 DLH	1	EA
4	<a href="#">148039449</a>	Rub Rail AL 450002X119.5 DLH	1	EA
5	<a href="#">148039433</a>	Rub Rail Lower AL 450002X62.32	1	EA
6	<a href="#">1100799</a>	End Cap Rear AL .125X2.37X5.5	6	EA
7	<a href="#">088044200</a>	Door Post 85H DLH	1	EA
8	<a href="#">89367380</a>	Drip Rail AL 450006X35.32	1	EA
9	<a href="#">7600165</a>	Plate Filler AL .125X3.19X2.5	2	EA
10	<a href="#">47008555</a>	Vent - Louvered	1	EA
11	<a href="#">1114124</a>	Open/Close Baffle for Vent W/ Handle	1	EA
12	43000530	Label - Vent Open / Close	1	EA
13	<a href="#">218012402</a>	Splash Pan Fuel Fill AL .07X25.34X26.38	1	EA
14	<a href="#">118012401</a>	Support Splash Pan Fuel Fill AL .102X1X6.02	1	EA
15	<a href="#">82312025</a>	Support Splash Pan Fuel Fill AL .07X1.5X2.96	1	EA
16	<a href="#">1334309002</a>	Sliding Window LH	1	EA
NS	<a href="#">001744400</a>	Strap - Reinforcement Floor to Side	3	EA

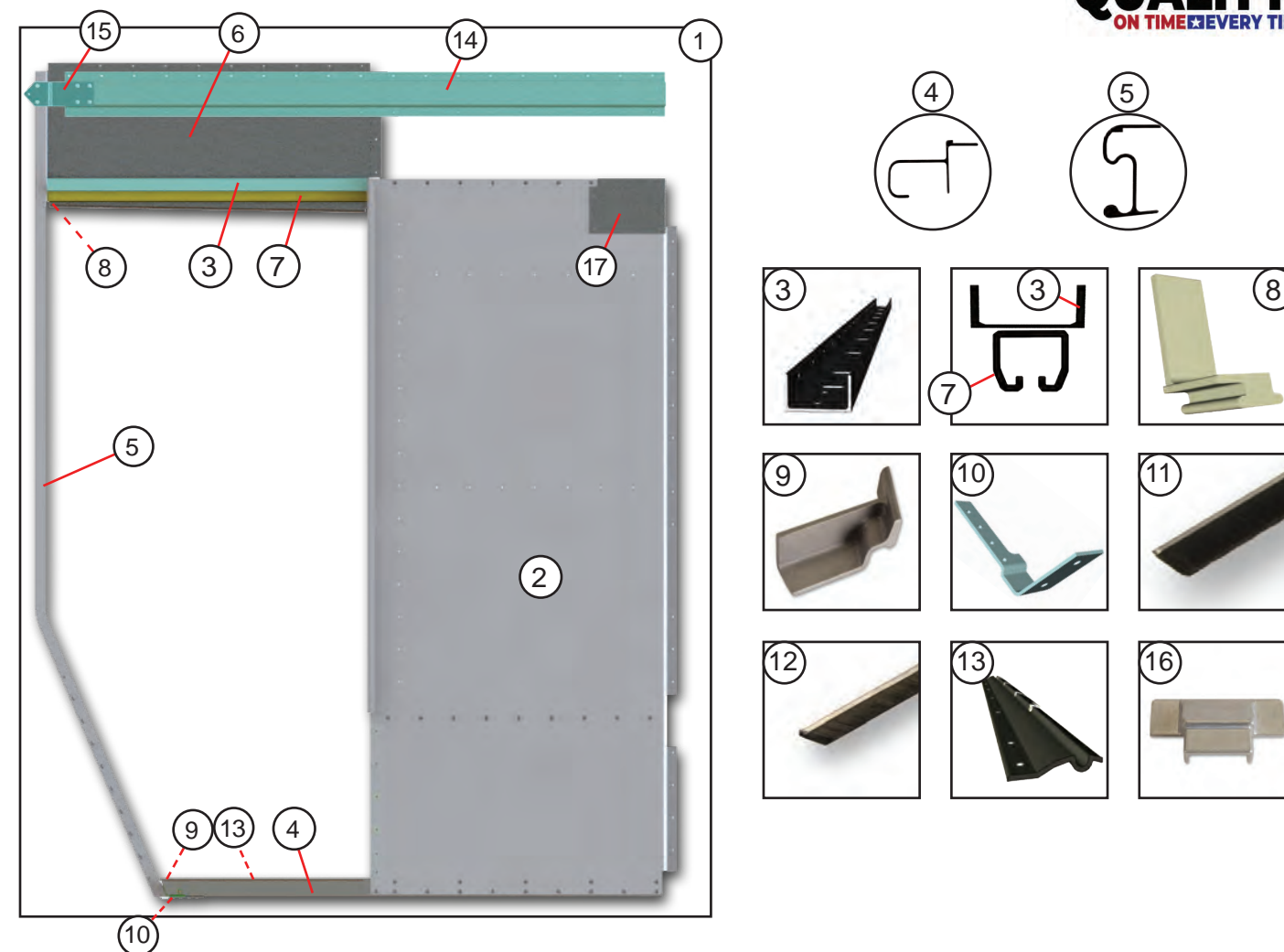


### Side Door Curbside



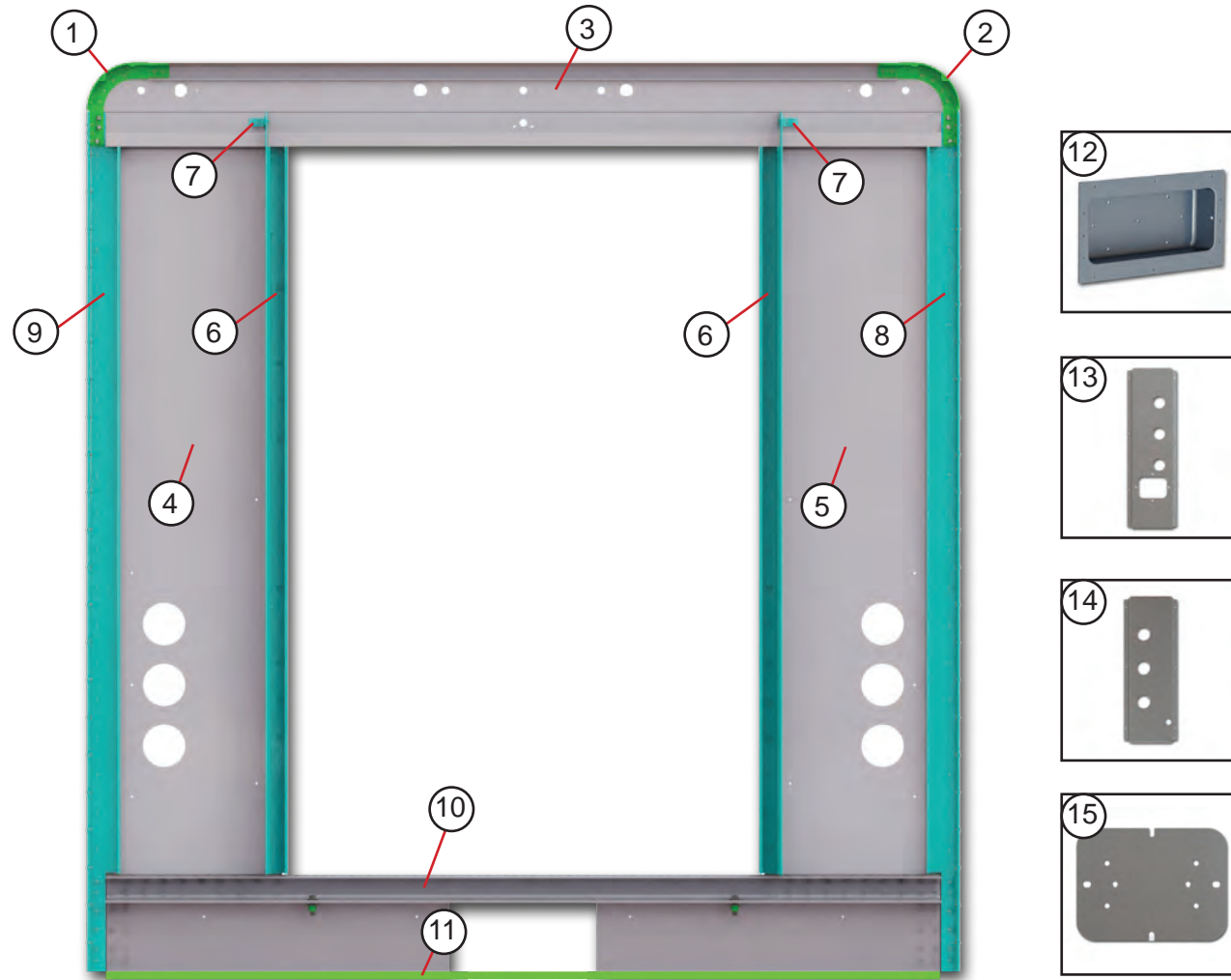
ITEM #	PART #	DESCRIPTION	QTY	UNIT
1	<a href="#">210060202</a>	SIDE DOOR ASSEMBLY RH	1	EA
2	<a href="#">96760203</a>	HANGER ASSEMBLY	1	EA
3	<a href="#">44008050</a>	SEAL BRUSH TYPE B 1X83.9	1	EA
4	<a href="#">210060408</a>	WEAR STRIP 450008X25.75	1	EA
5	<a href="#">45200206</a>	SPACER ANTI RATTLE CLIP	4	EA
6	<a href="#">45300377</a>	CLIP ANTI RATTLE AL .188X2X2.7	4	EA
7	<a href="#">1113016</a>	LATCH MECHINISM INNER	2	EA
8	<a href="#">157060404</a>	SPACER DOOR LATCH	2	EA
9	<a href="#">087181</a>	KASON LOCK SPACER	1	EA
10	<a href="#">44004104</a>	SEAL RUBBER FWD DR X89.25	2	EA
11	<a href="#">170060400</a>	STRIKER BRONZE D/S RR	2	EA
12	<a href="#">45100094</a>	BRACKET DOOR STRIKER	2	EA
13	<a href="#">198041400</a>	BRACKET DOOR STRIKER REAR	2	EA
14	<a href="#">44002011</a>	BUMPER RUBBER	2	EA
15	<a href="#">47000689</a>	HANDLE SIDE BLACK	2	EA
16	<a href="#">47001181</a>	REMOVABLE LOCK CYCLINDER	2	EA
17	<a href="#">13342990001</a>	WINDOW SLIDING CURBSIDE RH	1	EA
18	<a href="#">45210009</a>	PANEL DOOR INNER LOWER RH	1	EA

### Door Pocket Curbside



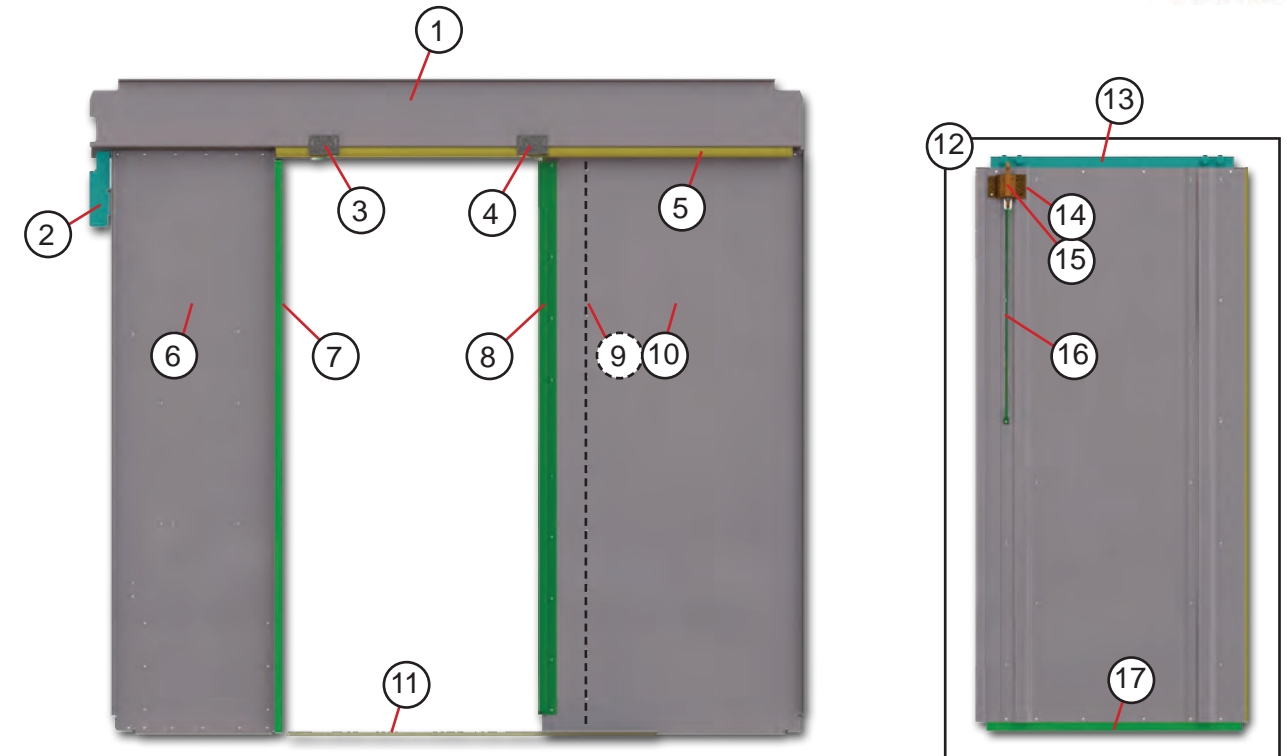
ITEM #	PART #	DESCRIPTION	QTY.	UNIT
1	<a href="#">077041215</a>	DOOR POCKET ASSEMBLY 85H Y RH W/VT	1	EA
2	<a href="#">210041401</a>	PANEL DOOR POCKET AL .102X42.25X87.65 RH	1	EA
3	<a href="#">210041403</a>	CHANNEL HEADER AL 450256X75 RH	1	EA
4	<a href="#">210041405</a>	NOSE STEP AL 450247X61.29 RH	1	EA
5	<a href="#">157041401</a>	DOOR POST AL 450294X102.43 RH	1	EA
6	<a href="#">177041403</a>	PANEL HEADER AL .102X19.49X42.36 RH	1	EA
7	<a href="#">96741202</a>	TRACK ASSEMBLY UPPER	1	EA
8	<a href="#">45100049</a>	GUSSET HEADER CHANNEL TO DOOR POST	1	EA
9	<a href="#">45100105</a>	DOOR POST CASTING LOWER	1	EA
10	<a href="#">001741408</a>	REINFORCEMENT BRACKET AL .125X1.53X8.04 RH	1	EA
11	<a href="#">44004060</a>	SEAL BRUSH TYPE C 1.5X82	1	EA
12	<a href="#">44008050</a>	SEAL BRUSH TYPE B 1X83.9	1	EA
13	<a href="#">47002766</a>	DOOR GUIDE NYLON	1	EA
14	<a href="#">083042401</a>	STIFFENER HEADER AL450328X73.75 RH	1	EA
15	<a href="#">96742302</a>	CLIP AL Z .102X3X9.57	1	EA
16	<a href="#">45100074</a>	CAP RAIL END (OPTIONAL)	1	EA
17	<a href="#">96741355</a>	COVER DOOR POCKET RH AL .055X6.75X12.16	1	EA

Back



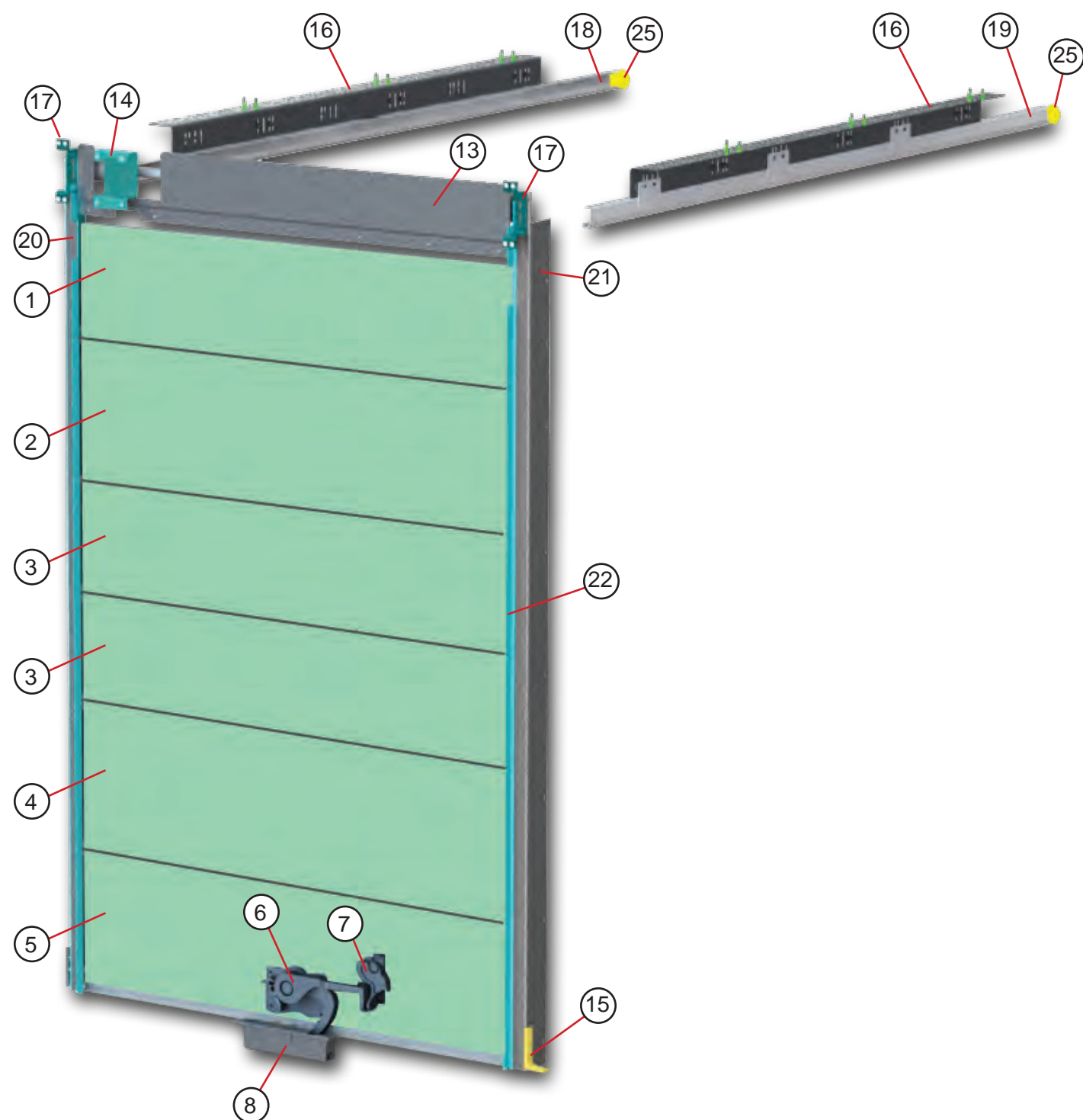
Item #	Part #	Description	Qty	Unit
1	<a href="#">45100010</a>	Corner Casting Roof Rear RH	1	EA
2	<a href="#">45100009</a>	Corner Casting Roof Rear LH	1	EA
3	230053400	Transom Rear AL 450266X91.62	1	EA
4	220053408	Panel Back AL .102X20.25X89.28 RH	1	EA
5	220053407	Panel Back AL .102X20.25X89.28 LH	1	EA
6	114130400	Corner Post AL 450359X77.5	2	EA
7	<a href="#">90650309</a>	Angle Clip AL 450192X.88	2	EA
8	220053409	Channel Post Rear AL 450112X91.87 LH	1	EA
9	220053410	Channel Post Rear AL 450112X91.87 RH	1	EA
10	<a href="#">173053400</a>	Sill Rear 93W AL 450024X89	1	EA
11	<a href="#">240135400</a>	Filler Plate - Back AL .125X2.39X92.25	1	EA
12	<a href="#">140092400</a>	License Plate Box	1	EA
13	<a href="#">217081400</a>	Guard Lamp AL .07X14.07X35.81 LH	1	EA
14	<a href="#">217081401</a>	Guard Lamp AL .07X14.07X32.94 RH	1	EA
15	<a href="#">197053403</a>	Plate Access Cover Sonar AL .07X6X8	1	EA

Bulkhead

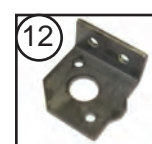
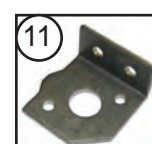
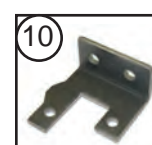
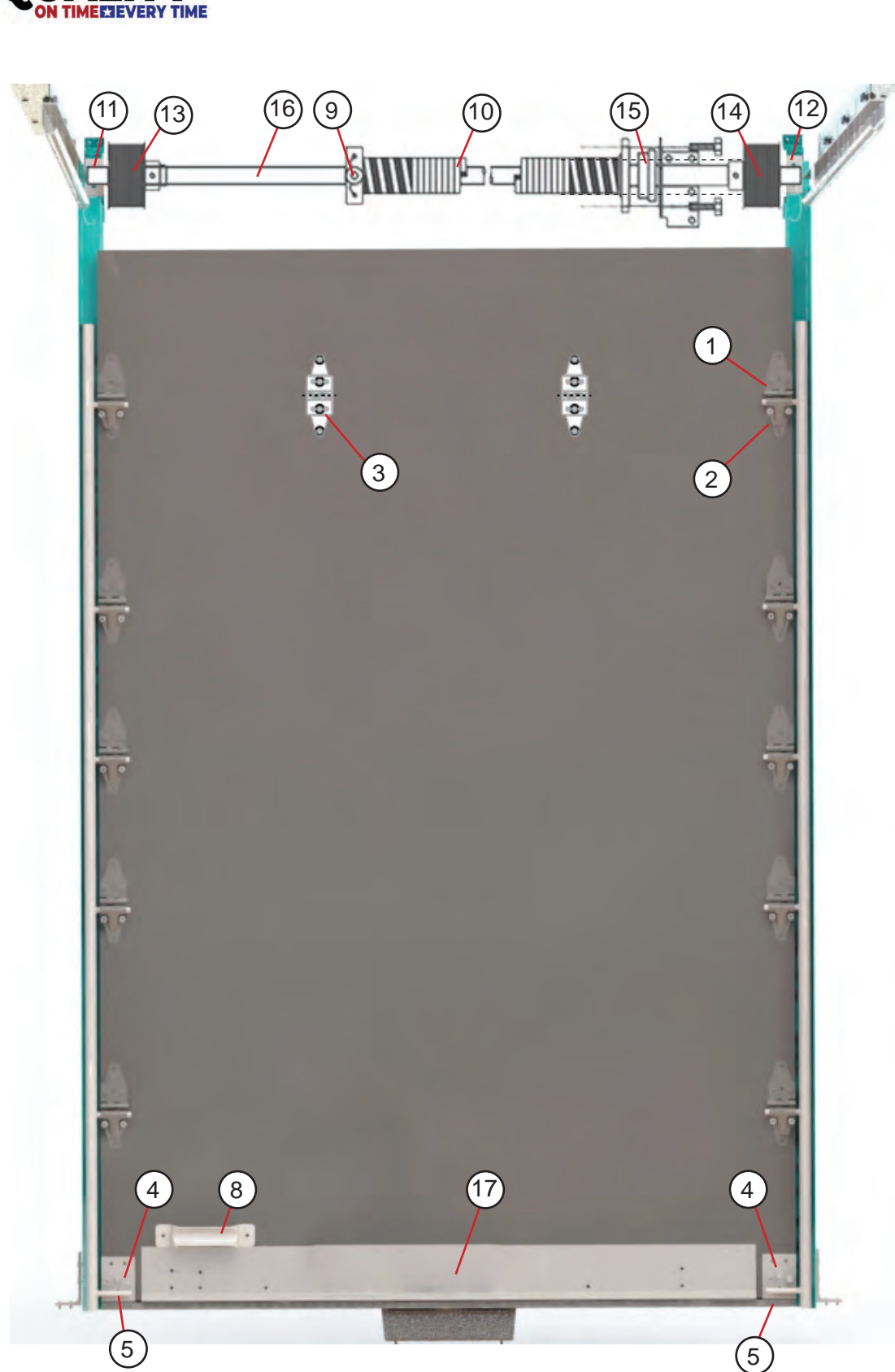


Item #	Part #	Description	Qty	Unit
1	<a href="#">108070409</a>	Header Bulkhead Zee AL .102X12.9X92.4 DLH	1	EA
2	228070401	Plate - Bulkhead Filler AL .055X3.65X9.79 RH	1	EA
3	<a href="#">98770201</a>	Striker Assembly Welded	1	EA
4	<a href="#">98770202</a>	Striker Assembly Welded	1	EA
5	<a href="#">088070251</a>	Door Track Assembly	1	EA
6	<a href="#">108070407</a>	Panel Bulkhead AL .102X24.15X77.38 RH	1	EA
7	<a href="#">96770312</a>	Jamb RH AL 450326X74.37	1	EA
8	<a href="#">088070435</a>	Channel Door Jamb AL 450502X72.12 LH	1	A
9	002069406	Stiffener Zee AL 450043X72.12	1	EA
10	<a href="#">109070405</a>	Panel Bulkhead AL .102X35.34X77.17 DLH	1	EA
11	<a href="#">96770316</a>	Door Guide - Floor AL 450414X47.88	1	EA
12	<a href="#">088070250</a>	Door Assembly Bulkhead NO/Window W/ F/Pull 32"	1	EA
13	<a href="#">088070252</a>	Hanger Assembly W/Seal Bulkhead Door 3.34X32.13	1	EA
14	<a href="#">92537309</a>	Plate Mounting Latch AL .125X3.19X5.29	1	EA
15	<a href="#">1113046</a>	Latch Finger Pull	1	EA
16	<a href="#">1113600</a>	Cable Bulkhead Door .125X29" Black Vinyl	1	EA
17	<a href="#">088070516</a>	Wear Strip AL 452002X33.75	1	EA



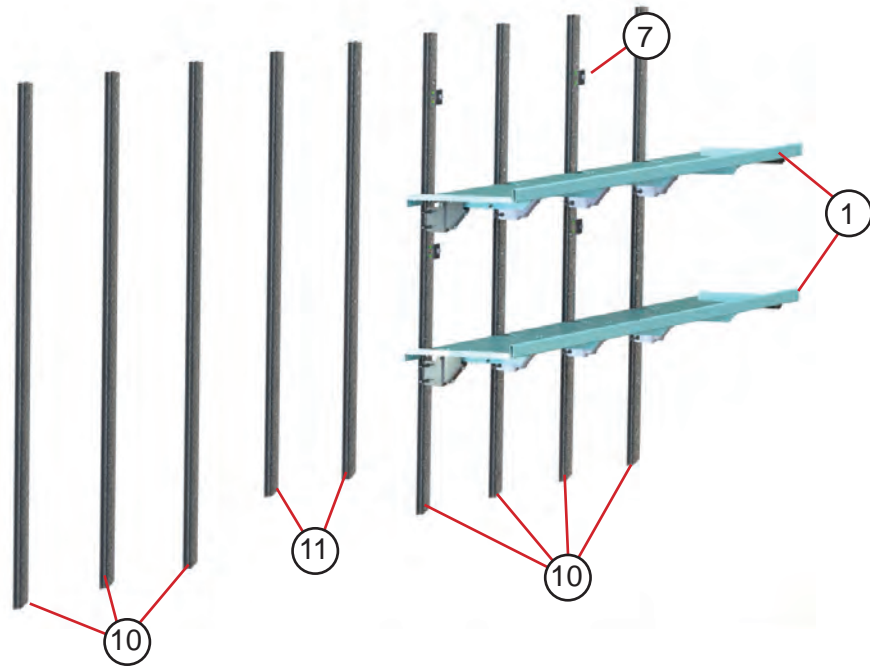


Item #	Part #	Description	Qty	Unit
1	Call W/ S/N	Panel Top	1	EA
2	Call W/ S/N	Panel Intermediate	1	EA
3	Call W/ S/N	Panel Intermediate	2	EA
4	Call W/ S/N	Panel Intermediate	1	EA
5	Call W/ S/N	Panel Bottom	1	EA
6	47005787	Latch - Max Security W\ Inside Release Handle	1	EA
7	47005788	Latch - Keeper Assembly W\ Inside Release Handle	1	EA
8	45100001	Box - Max Security	1	EA
9	47106772	Cable - 110" Stainless W/Eye	2	EA
10	47106703	Cable Anchor Bracket	2	EA
11	47106706	Clevis Pin	2	EA
12	47106719	Cotter Pin	2	EA
13	237127410	Wire Cover @ Transom AL .102X7.04X50.45	1	EA
14	7400214	Spacer Bracket - RUD AL 4"	1	EA
15	90650309	Clip - Angle AL 450192X.88	2	EA
16	97024300	Angle Track Horizontal	2	EA
17	170130402	Mounting Bracket RUD AL .125X1.5X9.04	2	EA
18	Call W/ S/N	Track Assembly Horizontal Roadside	1	EA
19	Call W/ S/N	Track Assembly Horizontal Curbside	1	EA
20	Call W/ S/N	Track Assembly Vertical Roadside	1	EA
21	Call W/ S/N	Track Assembly vertical Curbside	1	EA
22	Call W/ S/N	Side Seal EPDM	2	EA
NS	Call W/ S/N	Header Seal	1	EA
24	Call W/ S/N	Bottom - 4 Point Rubber Seal	1	EA
25	47106787	Track Stop - Yellow 2"	2	EA

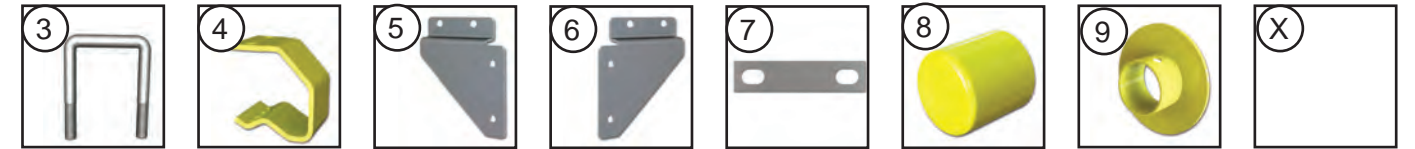
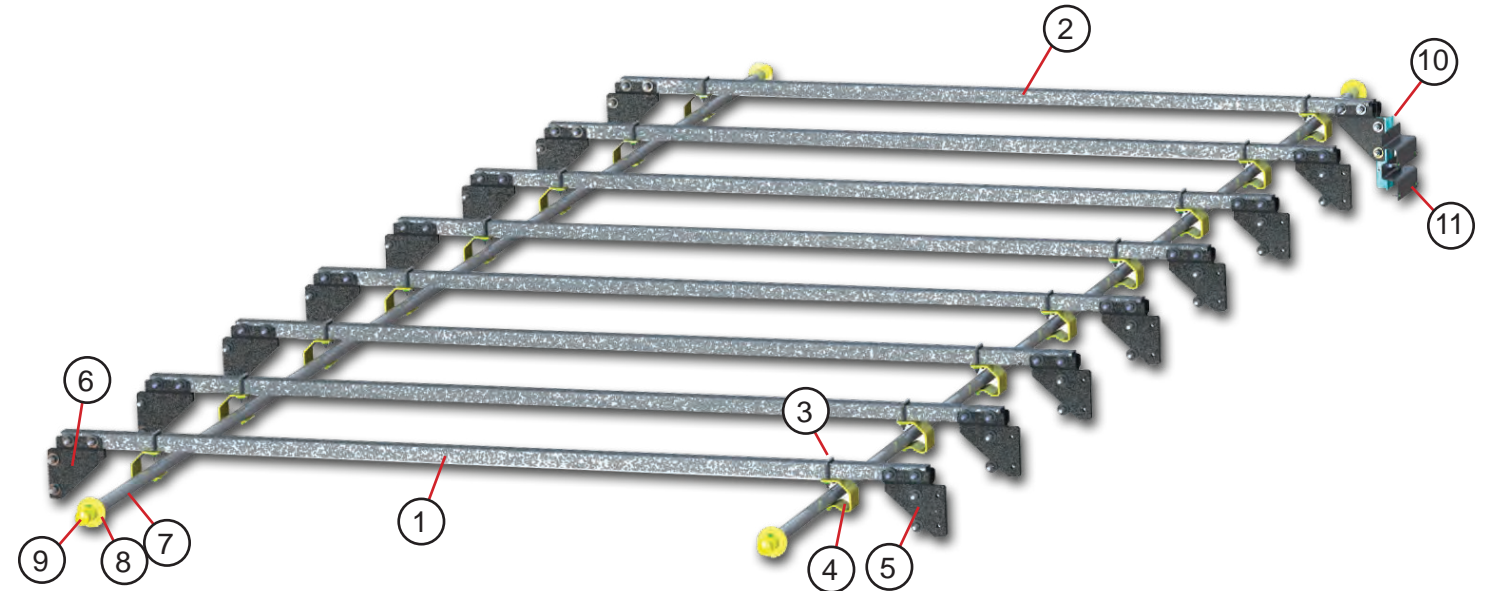


Item #	Part #	Description	Qty	Unit
1	47106797	Roller Hinge Assembly	10	EA
2	47106700	Roller Cover Only	-	EA
3	47106776	Center Hinge	10	EA
4	47106705	Bottom Fixture Assembly	2	EA
5	47106763	Roller Cover Only	-	EA
6	47106765	Roller 2" High Cycle Steel	12	EA
7	47106718	Spacer Washer - Roller	16	EA
8	47106796	Lift Handle Black	1	EA
9	47003643	Winding Plug	1	EA
10	Call W/ S/N	Spring	1	EA
11	Call W/ S/N	Bracket Curbside (RH)	1	EA
12	Call W/ S/N	Bracket Roadside (LH)	1	EA
13	Call W/ S/N	Cable Drum Curbside	1	EA
14	Call W/ S/N	Cable Drum Roadside	1	EA
15	Call W/ S/N	Bearing Assembly	1	EA
16	Call W/ S/N	Shaft - Counter Balance	1	EA
17	Call W/ S/N	Reinforcement Steel Panel	1	EA

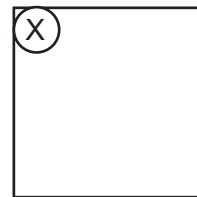
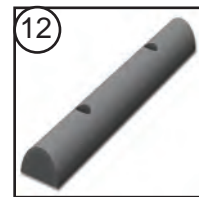
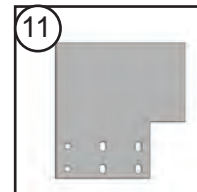
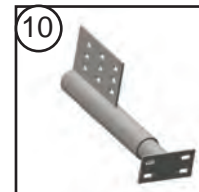
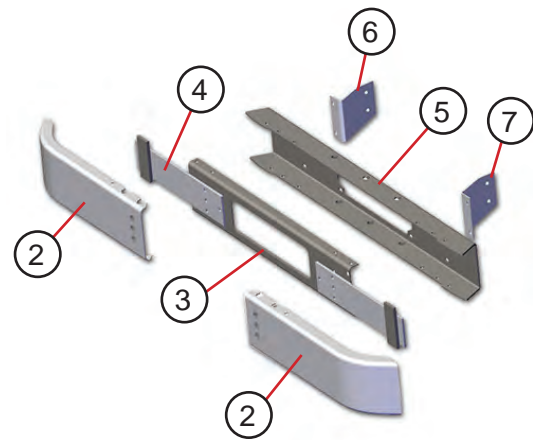
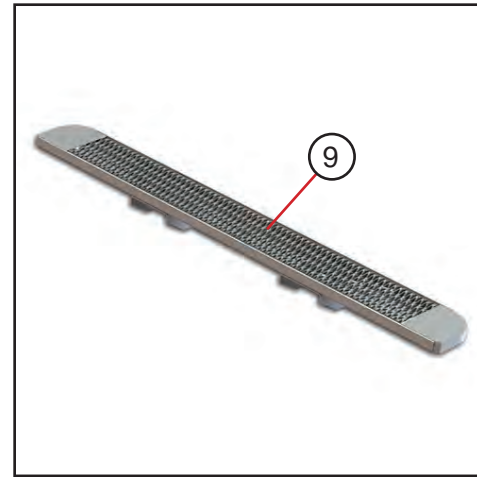
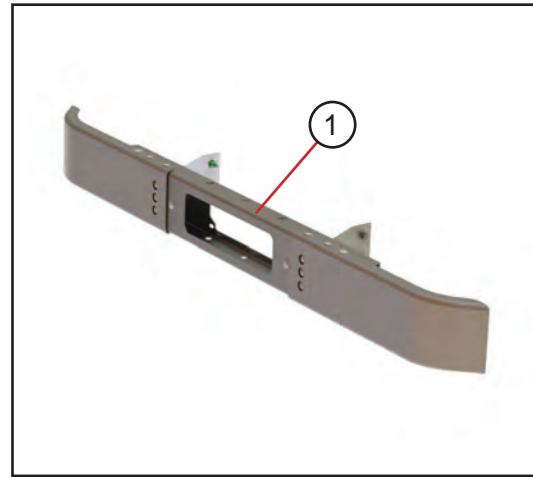




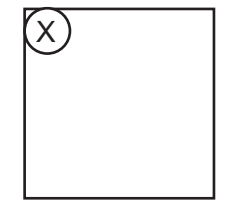
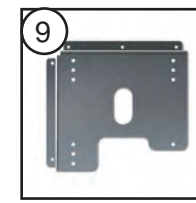
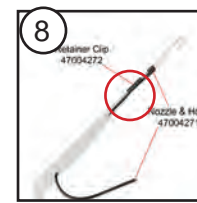
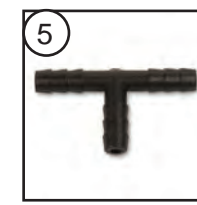
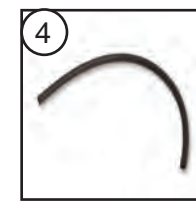
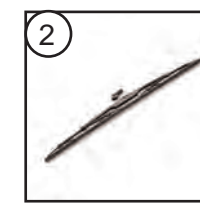
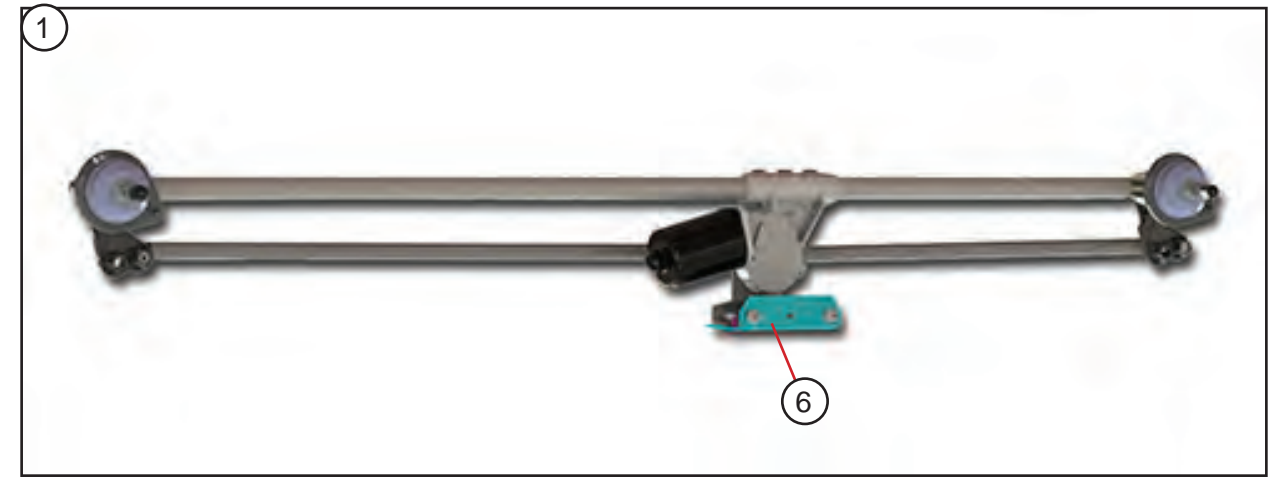
Item #	Part #	Description	Qty	Unit
1	230105202	Shelf Assembly - Folding LH/RH	2	EA
2	<a href="#">190105411</a>	Bracket Steel X5.82X8.53 RH	8	EA
3	<a href="#">190105412</a>	Bracket Steel X5.92X8.67 LH	8	EA
4	230105405	Bracket - Shelf Support AL .125X2.73X13	2	EA
5	<a href="#">126106427</a>	Ball Stud 10X.31-18X1.6OA	16	EA
6	<a href="#">126106426</a>	Gas Spring W/O Lock 60LB 8.7/6.2	8	EA
7	<a href="#">150106202</a>	Bumper Kit for Folding Shelf	4	EA
8	<a href="#">1107102</a>	Rubber Bumper Plug Only	-	EA
9	<a href="#">150106410</a>	Bracket - Rubber Bumper Only AL .125X2.5X2.73	-	EA
10	238048401	Stiffener Side Wall 85H T-Stud AL X77.94 LH/RH	14	EA
11	228048402	Stiffener Side Wall 85H T-Stud AL X69.54 LH/RH @ Wheel Box	4	EA



Item #	Part #	Description	Qty	Unit
1	<a href="#">220095400</a>	Bow Tube Steel X88.75	7	EA
2	220095401	Bow Tube Steel X86.5 @ Door Pocket	1	EA
3	<a href="#">45601155</a>	U-Bolt	16	EA
4	<a href="#">45601180</a>	Bracket Pipe Hanger Steel 3.12"	16	EA
5	<a href="#">135095401</a>	Bracket Pipe Rack AL .125X6X6.82 RH	2	EA
6	<a href="#">135095400</a>	Bracket Pipe Rack AL .125X6X6.82 LH	2	EA
7	<a href="#">220095404</a>	Shim - Pipe Rack AL .07X.75X3.5	32	EA
8	<a href="#">45601191</a>	End Cap Pipe Yellow	4	EA
9	<a href="#">45601182</a>	Stop - @ End Cap Yellow	4	EA

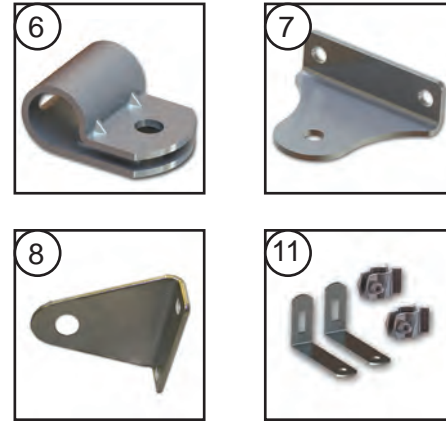


Item #	Part #	Description	Qty	Unit
1	<a href="#">167008003</a>	Spring Back Front Bumper Installation 93W FCC	1	EA
2	<a href="#">155008203</a>	Bumper Outer Channel (Welded Assembly) 93W	2	EA
3	<a href="#">167008402</a>	Channel Bumper Steel 7GA X11.26X41	1	EA
4	<a href="#">155008417</a>	Bumper Leaf Spring Front Steel .375X5X22	2	EA
5	<a href="#">167008401</a>	Channel Bumper Rear Steel .25 X14.91X55.09	1	EA
6	<a href="#">167008404</a>	Mounting Bracket RH Steel 7GA X8.12X8.32	1	EA
7	<a href="#">167008403</a>	Mounting Bracket LH Steel 7GA X8.12X8.32	1	EA
9	<a href="#">47004280</a>	Bumper Rear 93W 10 inch Shock Mount	1	EA
10	<a href="#">003057200</a>	Bumper Mounting Shock	2	EA
11	<a href="#">03M545047</a>	Bumper Hanger Plate Steel .312 X11X12	2	EA
12	200057410	Rubber Protector 1107307X16.5	4	EA

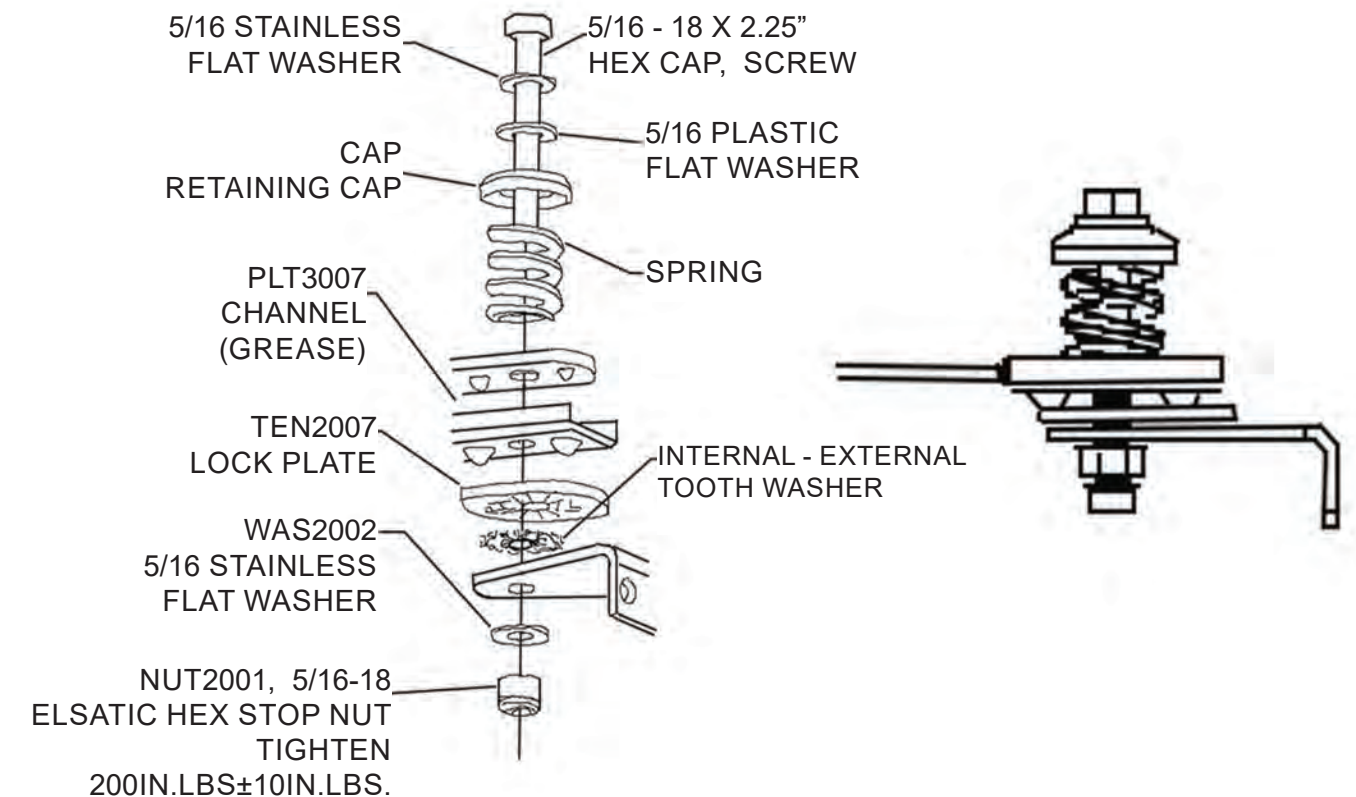
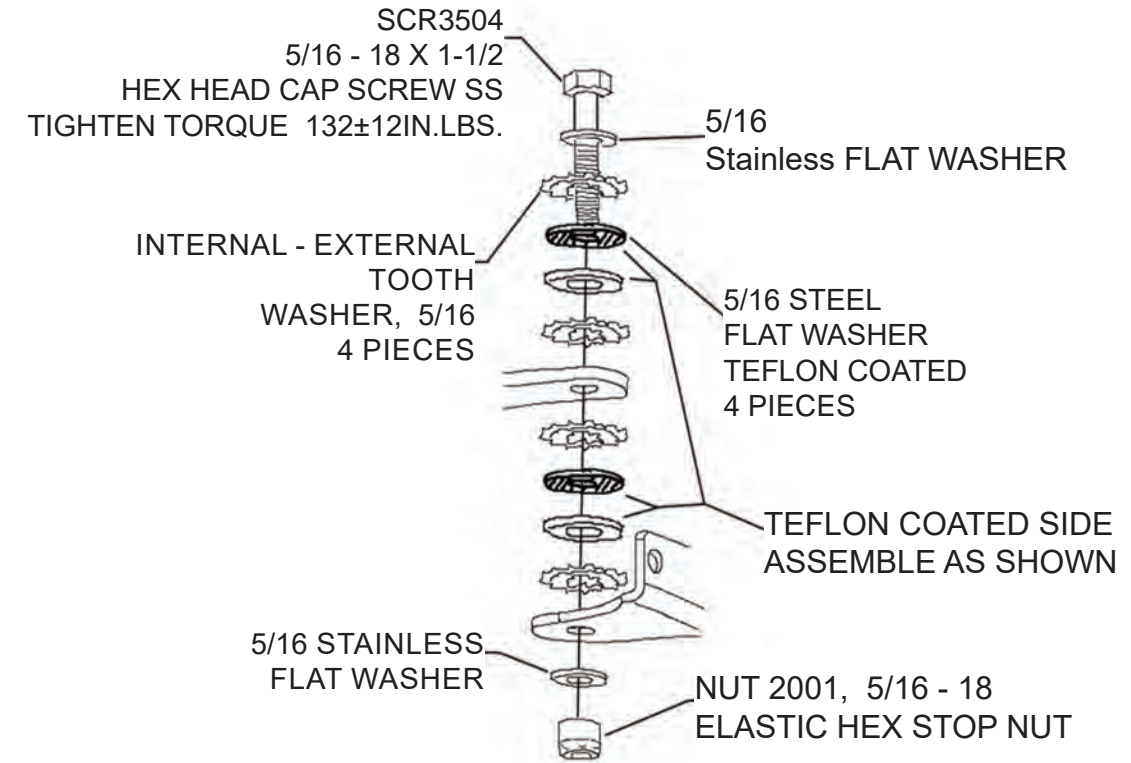


Item #	Part #	Description	Qty	Unit
1	<a href="#">47004230</a>	Wiper System Assembly 2 Pivot 93/96W	1	EA
2	<a href="#">47004134</a>	Blade Wiper 24IN Black	2	EA
3	<a href="#">47004206</a>	Arm Wiper Metal WSW WET 22IN Radial	2	EA
4	<a href="#">1107122</a>	Hose .188 ID WSW	12	FT
5	<a href="#">1101694</a>	Tee Connector	1	EA
6	<a href="#">220055408</a>	Bracket Wiper Motor Mounting AL .102X4.14X4.5	1	EA
7	<a href="#">47004271</a>	Replacement Spray Nozzle	-	EA
8	<a href="#">47004272</a>	Retaining Clip - Washer Hose	-	EA
9	<a href="#">210063400</a>	Mounting Bracket - Washer Bottle AL .102X12.55X13.47	1	EA
10	<a href="#">47004507</a>	Washer Reservoir Bottle W/Pump	1	EA





Item#	Part#	Description	Qty	Unit
1	<a href="#">47005642</a>	Mirror Assembly RH Stainless	1	EA
2	<a href="#">47005641</a>	Mirror Assembly LH Stainless	1	EA
3	<a href="#">47005673</a>	Mirror Head 7 x 16	2	EA
4	<a href="#">47005671</a>	Mirror Head 8" Round	2	EA
5	<a href="#">47005689</a>	Mirror Loop Stainless 3/4" X 35.33"	2	EA
6	<a href="#">47005672</a>	Clamp 3/4" (Lower Mirror)	2	EA
7	<a href="#">47005610</a>	Mounting Base Upper	2	EA
8	<a href="#">47005623</a>	Mounting Base Lower	2	EA
9	<a href="#">47005007</a>	Hardware Kit Upper (See diagram next page)	2	EA
10	<a href="#">47005069</a>	Hardware Kit Lower (See diagram next page)	2	EA
11	<a href="#">47005700</a>	Clamp Kit Upper (Upper Mirror)	2	EA

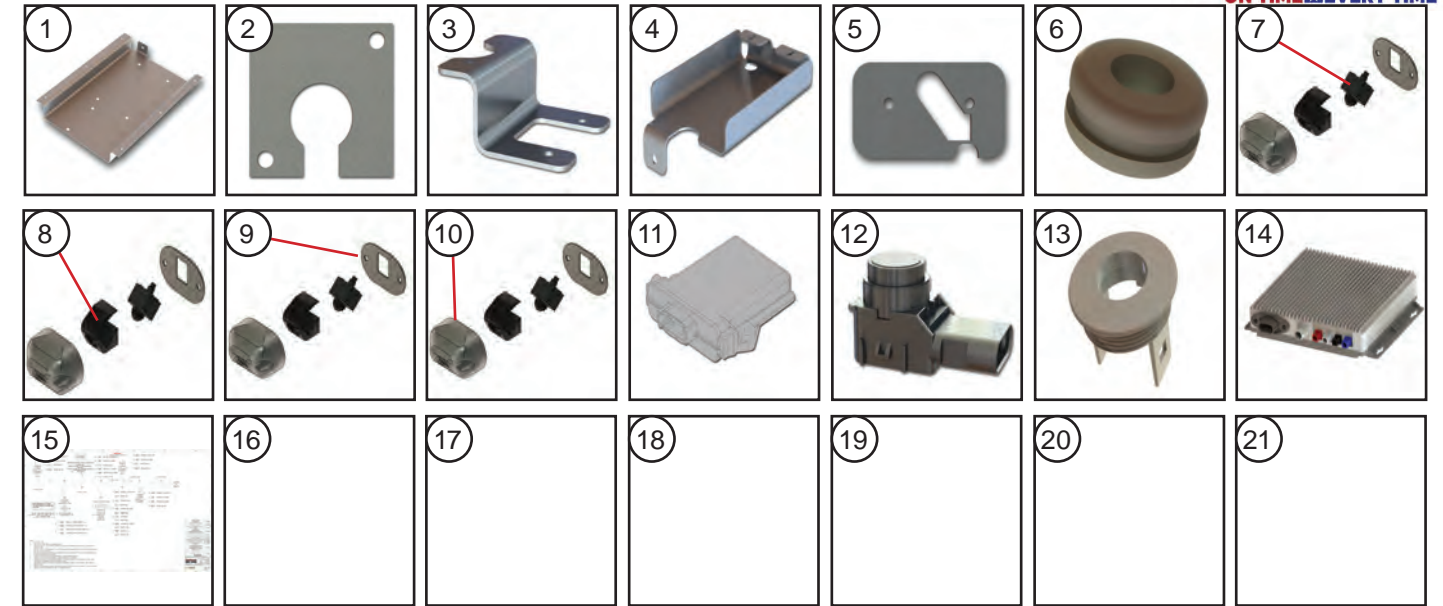


Miscellaneous



Item #	Part #	Description	Qty	Unit
1	<a href="#">47001047</a>	Grab Handle Entry Powercoat Yellow	1	EA
2	<a href="#">107005490</a>	Bracket Attach Grab Handle AL .125X2.6X3.5	1	EA
3	<a href="#">47001082</a>	Grab Handle 1" AL X31.875 2.75DP	3	EA
4	<a href="#">47005504</a>	Sun Visor 8 X 33	2	EA
5	<a href="#">102084499</a>	Bracket Fuse Panel AL .102X4X12.78	1	EA
6	<a href="#">173092401</a>	Cover Fuse Panel AL .102X4X4.13	1	EA
7	<a href="#">47009621</a>	Fire Extinguisher	1	EA
8	<a href="#">1107308</a>	Mud Flap Black W/O Logo	1	PR
9	<a href="#">7504428</a>	Retainer Mud Flap AL .125X1.5X20	2	EA
10	<a href="#">80795014</a>	Angle Retainer AL .188X5X20	2	EA
11	<a href="#">47009706</a>	Wire Support @ Mud Flap	2	EA
12	<a href="#">45200051</a>	Trash Receptical Plastic	1	EA
13	<a href="#">05M078011</a>	Support Bracket Receptical AL .125X17.74X25.15	1	EA
14	<a href="#">1129005</a>	Trim Quick Edge Single Lip Grip Range .12-.19	7	FT
15	<a href="#">47009653</a>	Center Console Plastic	1	EA
16	<a href="#">46025017</a>	Reflector Red 2.88"	4	EA
17	<a href="#">46025018</a>	Reflector Amber 2.88"	2	EA
18	<a href="#">083014200</a>	Work Table Shelf Assembly	1	EA
19	<a href="#">103014200</a>	Leg Assembly - Work Table	1	EA
20	<a href="#">46021115</a>	Clip Body Large	3	EA
20	<a href="#">46021114</a>	Clip Body Medium	16	EA
21	<a href="#">47000735</a>	7-Pin Lock Core	1	EA

Sonar & 360 Camera

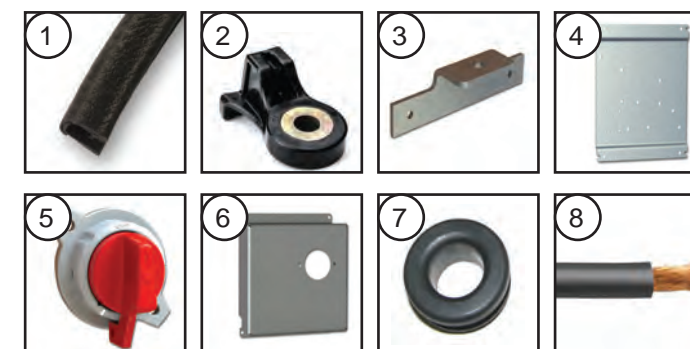
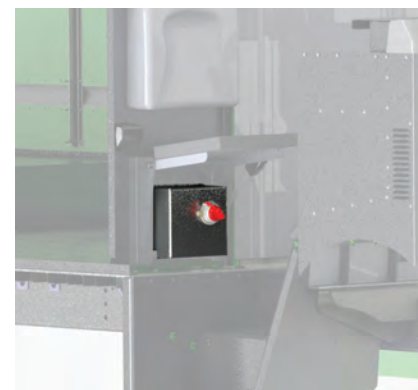


Item #	Part #	Description	Supplier	Qty	Unit
<b>Parts Supplied by Morgan Olson</b>					
1	207055402	Bracket Mounting AL .07X13.37X16.38	MO	1	EA
2	208092402	Plate Transom Sill AL .125X2.25X2.25	MO	1	EA
3	228092400	Bracket Camera Rear AL .102X3.25X4.37	MO	1	EA
4	207026400	Guard Camera Mid AL .07X5.76X9.74	MO	2	EA
5	208092400	Spacer Camera Rear AL .25X2.25X4.13	MO	1	EA
6	1107074	RPD Grommet G3115	MO	1	EA
<b>Parts Supplied by Freightliner (Included here for reference only)</b>					
7	CS8482001	Camera 360 FCCC	FCCC	4	EA
8	CS8482009	Mounting Camera Angle 360 FCCC	FCCC	4	EA
9	CS8482010	Gasket Camera Housing Front/Side 360 FCCC	FCCC	3	EA
9	CS8482011	Gasket Camera Housing Rear 360 FCCC	FCCC	1	EA
10	CS8482002	Housing Camera Front/Side 360 FCCC	FCCC	3	EA
10	CS8482003	Housing Camera Rear 360 FCCC	FCCC	1	EA
11	CS8460003	Module Sonar ODS FCCC	FCCC	1	EA
12	CS8460001	Sensor Sonar LG ODS FCCC	FCCC	4	EA
13	CS8460000	Housing Sensor Sonar ODS FCCC	FCCC	8	EA
14	CS8482000	Module Camera 360 FCCC	FCCC	1	EA
15	CS8482008	Microphone Camera Rear 360 FCCC	FCCC	1	EA
NS	208087200	Harness Sonar FCCC Forward	FCCC	1	EA
NS	218087203	Harness Sonar FCCC Rear 20'6"	FCCC	1	EA
NS	CS8482004	Cable Camera Front 360 FCCC	FCCC	1	EA
NS	CS8482005	Cable Camera Rear 360 FCCC	FCCC	1	EA
NS	CS8482006	Cable Camera LH 360 FCCC	FCCC	1	EA
NS	CS8482007	Cable Camera RH 360 FCCC	FCCC	1	EA





Item #	Part #	Description	Qty	Unit
1	<a href="#">46000213</a>	Headlamp Assembly	2	EA
2	<a href="#">46027653</a>	Lamp Park/Turn	2	EA
3	<a href="#">46001447</a>	Lamp Back Up LED	2	EA
4	<a href="#">46002266</a>	Lamp Rear Combo LED	4	EA
5	<a href="#">46001388</a>	Lamp Clearance Marker Red LED PC	7	EA
6	<a href="#">46001395</a>	Lamp Clearance Marker Amber LED PC	8	EA
7	<a href="#">47009642</a>	Lamp Clearance Marker LED Clear	2	EA
8	<a href="#">46002650</a>	Lamp Dome Recessed LED Cargo	1	EA
9	<a href="#">46002676</a>	Lamp Dome Recessed LED Cab	1	EA
10	<a href="#">46004443</a>	Grommet Round Black 4IN Lamp	6	EA
11	<a href="#">46027708</a>	Grommet Oval 6.5"	2	EA
12	<a href="#">46024701</a>	Lamp Alarm Buzzer 12V Red	1	EA
13	<a href="#">46023532</a>	Switch Rocker Cab Dome SPST OFF-ON	1	EA
14	<a href="#">46023533</a>	Switch Rocker Cargo Dome SPDT ON-ON	1	EA
15	<a href="#">46023535</a>	Switch Rocker Dash Fan SPDT ON-OFF-ON	1	EA
16	<a href="#">46030014</a>	Fan 2-Speed No Switch 270CFM	1	EA
17	<a href="#">CS8083002</a>	Back Up Alarm	1	EA
18	<a href="#">46025621</a>	Radio AM/FM/BT/AUX	1	EA
19	<a href="#">46025590</a>	Speaker 6.5"	2	EA
20	<a href="#">46025559</a>	Antenna Top/Side Mount	1	EA
21	<a href="#">178300400</a>	Label Fuse Box LH	1	EA
22	<a href="#">178300401</a>	Label Fuse Box RH	1	EA
23	<a href="#">45200256</a>	Placard - Seatbelt Lamp/Buzzer	1	EA
24				



Item #	Part #	Description	Qty	Unit
1	1129005	Trim Quick Edge .12-.19	0.667	FT
2	<a href="#">46026442</a>	Axial Mount - Single 0.327	1	EA
3	<a href="#">238092402</a>	Bracket Ground Stud AL .188X3.04X6.75	1	EA
4	<a href="#">132092407</a>	Bracket Holder AL .07X10.06X11.87	1	EA
5	<a href="#">46008000</a>	Switch Rotary Disconnect Battery	1	EA
6	<a href="#">238092401</a>	Bracket Cover AL .07X19.25X20.32	1	EA
7	<a href="#">44000275</a>	Grommet 1.25X.188X1.5 EPDM	7	EA
8	<a href="#">46006054</a>	Wire 4/0 GA SGR Black	6	FT

**Wiring Harness**

Item #	Part #	Description	Qty	Unit
38	<a href="#">46025591</a>	Harness Speaker Wiring	1	EA
39	<a href="#">46025623</a>	Harness Pigtail Power/Speaker	1	EA
40	<a href="#">090093202</a>	Harness Jumper Cargo Dome Lamp	1	EA
41-42	<a href="#">093093202</a>	Harness Roof 17/20FT6IN	1	EA
43	<a href="#">098085201</a>	Harness Hood FCC AL	1	EA
44	130092204	Harness License Plate Box LED	1	EA
45	<a href="#">132092202</a>	Harness Seat Belt Buzzer & Lamp	1	EA
46-48	<a href="#">162086200</a>	Harness Rear Lamps Back Panel STD	1	EA
49-52	<a href="#">165084202</a>	Harness Instrument Panel STD	1	EA
53-55	<a href="#">165088203</a>	Harness Chassis Interface FCC STD	1	EA
56-58	<a href="#">167391200</a>	Harness Roof / Nose 85H STD	1	EA
59	<a href="#">207084210</a>	Harness Jumper FCCC Wiper	1	EA
60	<a href="#">208087200</a>	Harness Sonar FCCC Forward	1	EA
61	<a href="#">218087203</a>	Harness Sonar FCCC Rear 20'6"	1	EA
62	CS8482004	Camera Cable Front 360 FCCC	1	EA
63	CS8482005	Camera Cable Rear 360 FCCC	1	EA
64	CS8482006	Camera Cable LH 360 FCCC	1	EA
65	CS8482007	Camera Cable RH 360 FCCC	1	EA





DRAWING NO.	REV	SHT
090093202	A	1 of 1
DESCRIPTION	DATE	BY
RELEASE FOR PRODUCTION		
A 80" WAS 84"		

9. THIS IS A PURCHASED HARNESS. NO BULK OF MATERIAL EXISTS.
10. VENDOR MAY REPLACE WITH APPROVED MOLDINGS OR CONNECTORS. PISTILLS SHOWN IN TERMINAL VIEW.
11. HARNESS TO BE TESTED FOR CONTENT, OPENS, SHORTS, AND CONTINUITY.
12. CONNECTORS SHOWN FROM WIRE ENTRY SIDE UNLESS OTHERWISE NOTED.
13. SPLICES TO BE AUTOMATED WITH SOLDER AND POLY LINED HEAT SHRINK TUBING.
14. TAPE [1111096]: 6" AT BREAKOUTS, 2" AT 18" INTERVALS FOR UNINTERRUPTED LOOM LENGTHS GREATER THAN 24", AND 2" AT LOOM ENDS.
15. HARNESS TO HAVE A LABEL SHOWING MORGAN OLSON PART NUMBER, REVISION LEVEL, AND DATE OF MANUFACTURE.
16. SPLIT POLY LOOM UNLESS OTHERWISE NOTED.
17. GXL WIRE.

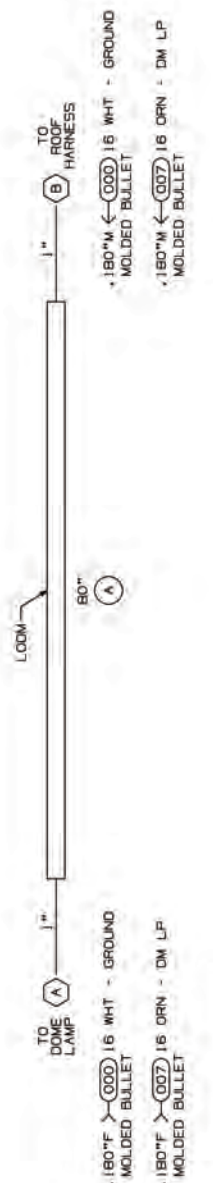
NOTES:

PROPRIETARY

**MORGAN OLSON**

GENERAL STANDARDS UNLESS OTHERWISE NOTED:  
1. ALL DIMENSIONS ARE IN INCHES UNLESS NOTED OTHERWISE.  
2. ALL DIMENSIONS ARE TO CENTER UNLESS NOTED OTHERWISE.  
3. ALL DIMENSIONS ARE TO DIMENSION LINE UNLESS NOTED OTHERWISE.  
4. ALL DIMENSIONS ARE TO DIMENSION LINE UNLESS NOTED OTHERWISE.  
5. ALL DIMENSIONS ARE TO DIMENSION LINE UNLESS NOTED OTHERWISE.

DATE	BY	REV
26OCT09	DFW	1
26OCT09	DFW	2
26OCT09	DFW	3
26OCT09	DFW	4
26OCT09	DFW	5
26OCT09	DFW	6
26OCT09	DFW	7
26OCT09	DFW	8
26OCT09	DFW	9
26OCT09	DFW	10
26OCT09	DFW	11
26OCT09	DFW	12
26OCT09	DFW	13
26OCT09	DFW	14
26OCT09	DFW	15
26OCT09	DFW	16
26OCT09	DFW	17
26OCT09	DFW	18
26OCT09	DFW	19
26OCT09	DFW	20
26OCT09	DFW	21
26OCT09	DFW	22
26OCT09	DFW	23
26OCT09	DFW	24
26OCT09	DFW	25
26OCT09	DFW	26
26OCT09	DFW	27
26OCT09	DFW	28
26OCT09	DFW	29
26OCT09	DFW	30
26OCT09	DFW	31
26OCT09	DFW	32
26OCT09	DFW	33
26OCT09	DFW	34
26OCT09	DFW	35
26OCT09	DFW	36
26OCT09	DFW	37
26OCT09	DFW	38
26OCT09	DFW	39
26OCT09	DFW	40
26OCT09	DFW	41
26OCT09	DFW	42
26OCT09	DFW	43
26OCT09	DFW	44
26OCT09	DFW	45
26OCT09	DFW	46
26OCT09	DFW	47
26OCT09	DFW	48
26OCT09	DFW	49
26OCT09	DFW	50
26OCT09	DFW	51
26OCT09	DFW	52
26OCT09	DFW	53
26OCT09	DFW	54
26OCT09	DFW	55
26OCT09	DFW	56
26OCT09	DFW	57
26OCT09	DFW	58
26OCT09	DFW	59
26OCT09	DFW	60
26OCT09	DFW	61
26OCT09	DFW	62
26OCT09	DFW	63
26OCT09	DFW	64
26OCT09	DFW	65
26OCT09	DFW	66
26OCT09	DFW	67
26OCT09	DFW	68
26OCT09	DFW	69
26OCT09	DFW	70
26OCT09	DFW	71
26OCT09	DFW	72
26OCT09	DFW	73
26OCT09	DFW	74
26OCT09	DFW	75
26OCT09	DFW	76
26OCT09	DFW	77
26OCT09	DFW	78
26OCT09	DFW	79
26OCT09	DFW	80
26OCT09	DFW	81
26OCT09	DFW	82
26OCT09	DFW	83
26OCT09	DFW	84
26OCT09	DFW	85
26OCT09	DFW	86
26OCT09	DFW	87
26OCT09	DFW	88
26OCT09	DFW	89
26OCT09	DFW	90
26OCT09	DFW	91
26OCT09	DFW	92
26OCT09	DFW	93
26OCT09	DFW	94
26OCT09	DFW	95
26OCT09	DFW	96
26OCT09	DFW	97
26OCT09	DFW	98
26OCT09	DFW	99
26OCT09	DFW	100



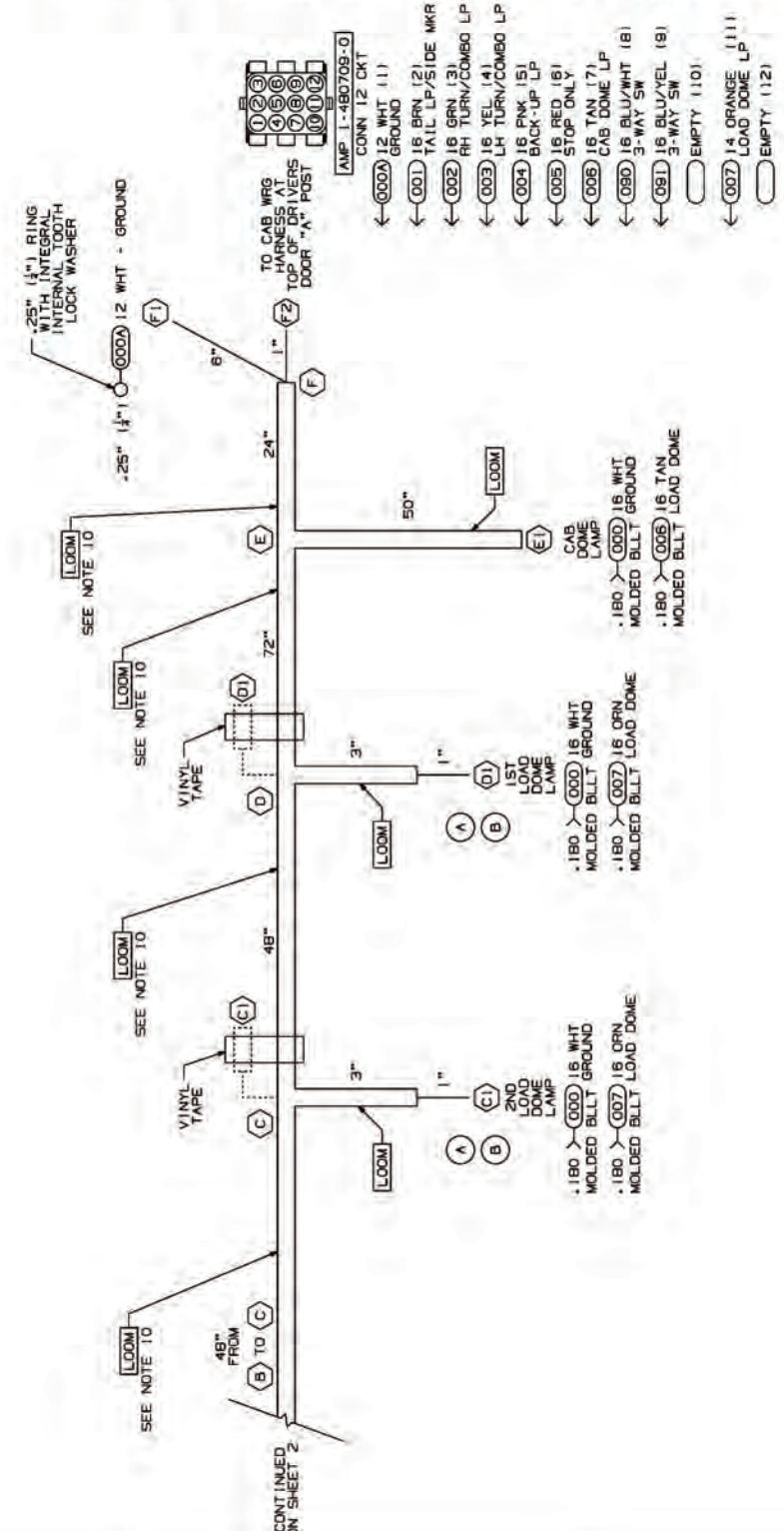
FIRST USE:  
CIVILIAN USE:  
BASED ON:  
007369326

HARNESS AND LOOM TOLERANCES

UP TO 60"	= -0/+2"
60" TO 100"	= -0/+4"
100" TO 200"	= -0/+5"
200" TO 400"	= -0/+6"
400" TO 600"	= -0/+7"
OVER 600"	= -0/+8"
BO TO BO	= -0/+2"

LENGTHS APPLY FROM BREAKOUT TO BREAKOUT, ENTRY SIDE OF CONNECTOR, OR END OF COVER.

DRAWING NO.	REV	SHT
093093202	B	1 of 2
DESCRIPTION	DATE	BY
RELEASE TO PRODUCTION		
A REVISED DRAWING		
B REV'D DM LP B/O'S		



HARNESS AND LOOM TOLERANCES

UP TO 60"	= -0/+2"
60" TO 100"	= -0/+4"
100" TO 200"	= -0/+5"
200" TO 400"	= -0/+6"
400" TO 600"	= -0/+7"
OVER 600"	= -0/+8"
BO TO BO	= -0/+2"

TOLERANCE IS NOT ACCUMULATIVE. LENGTH APPLIES TO OVERALL HARNESS LENGTH, BREAKOUT TO END, OR LOOM.

PROPRIETARY

**MORGAN OLSON**

GENERAL STANDARDS UNLESS OTHERWISE NOTED:  
1. ALL DIMENSIONS ARE IN INCHES UNLESS NOTED OTHERWISE.  
2. ALL DIMENSIONS ARE TO CENTER UNLESS NOTED OTHERWISE.  
3. ALL DIMENSIONS ARE TO DIMENSION LINE UNLESS NOTED OTHERWISE.  
4. ALL DIMENSIONS ARE TO DIMENSION LINE UNLESS NOTED OTHERWISE.  
5. ALL DIMENSIONS ARE TO DIMENSION LINE UNLESS NOTED OTHERWISE.

DATE	BY	REV
14APR08	DFW	1
14APR08	DFW	2
14APR08	DFW	3
14APR08	DFW	4
14APR08	DFW	5
14APR08	DFW	6
14APR08	DFW	7
14APR08	DFW	8
14APR08	DFW	9
14APR08	DFW	10
14APR08	DFW	11
14APR08	DFW	12
14APR08	DFW	13
14APR08	DFW	14
14APR08	DFW	15
14APR08	DFW	16
14APR08	DFW	17
14APR08	DFW	18
14APR08	DFW	19
14APR08	DFW	20
14APR08	DFW	21
14APR08	DFW	22
14APR08	DFW	23
14APR08	DFW	24
14APR08	DFW	25
14APR08	DFW	26
14APR08	DFW	27
14APR08	DFW	28
14APR08	DFW	29
14APR08	DFW	30
14APR08	DFW	31
14APR08	DFW	32
14APR08	DFW	33
14APR08	DFW	34
14APR08	DFW	35
14APR08	DFW	36
14APR08	DFW	37
14APR08	DFW	38
14APR08	DFW	39
14APR08	DFW	40
14APR08	DFW	41
14APR08	DFW	42
14APR08	DFW	43
14APR08	DFW	44
14APR08	DFW	45
14APR08	DFW	46
14APR08	DFW	47
14APR08	DFW	48
14APR08	DFW	49
14APR08	DFW	50
14APR08	DFW	51
14APR08	DFW	52
14APR08	DFW	53
14APR08	DFW	54
14APR08	DFW	55
14APR08	DFW	56
14APR08	DFW	57
14APR08	DFW	58
14APR08	DFW	59
14APR08	DFW	60
14APR08	DFW	61
14APR08	DFW	62
14APR08	DFW	63
14APR08	DFW	64
14APR08	DFW	65
14APR08	DFW	66
14APR08	DFW	67
14APR08	DFW	68
14APR08	DFW	69
14APR08	DFW	70
14APR08	DFW	71
14APR08	DFW	72
14APR08	DFW	73
14APR08	DFW	74
14APR08	DFW	75
14APR08	DFW	76
14APR08	DFW	77
14APR08	DFW	78
14APR08	DFW	79
14APR08	DFW	80
14APR08	DFW	81
14APR08	DFW	82
14APR08	DFW	83
14APR08	DFW	84
14APR08	DFW	85
14APR08	DFW	86
14APR08	DFW	87
14APR08	DFW	88
14APR08	DFW	89
14APR08	DFW	90
14APR08	DFW	91
14APR08	DFW	92
14APR08	DFW	93
14APR08	DFW	94
14APR08	DFW	95
14APR08	DFW	96
14APR08	DFW	97
14APR08	DFW	98
14APR08	DFW	99
14APR08	DFW	100



DRAWING NO.	REV	SHT
093093202	B	2 OF 2
DESCRIPTION	DATE	BY
RELEASE TO PRODUCTION		
A 09/05/2009		
B REV'D DM LP B/O'S		

10. MAIN TRUNK OF HARNESS WIRE CHANNEL A .75 DIA.
9. THIS IS A PURCHASED HARNESS. NO BILL OF MATERIAL EXISTS.
8. VENDOR MAY REPLACE DIGITALS WITH WIRING TO CONNECTORS. DIGITALS SHOWN IN TERMINAL VIEW.
7. HARNESS TO BE TESTED FOR CONTENTS, SHORTS, AND CONTINUITY.
6. CONNECTORS SHOWN FROM WIRE ENDARY SIDE UNLESS OTHERWISE NOTED.
5. SPLICES TO BE AUTOMATED HEAT SHRINK BUT SPLICES ARE ACCEPTABLE FOR M-O FABRICATION IF NECESSARY.
4. TAPE (1111098) 6" AT BREAKOUTS AND 2" AT LOOM ENDS.
3. HARNESS TO HAVE A LABEL SHOWING MORGAN OLSON PART NUMBER, REVISION LEVEL, AND DATE OF MANUFACTURE.
2. SPLIT POLY LOOM UNLESS OTHERWISE NOTED.
1. GXL WIRE.

NOTES:

PROPRIETARY  
This drawing is the property of Morgan Olson and is not to be reproduced, stored in a retrieval system, or transmitted in any form or by any means, without the prior written consent of Morgan Olson.



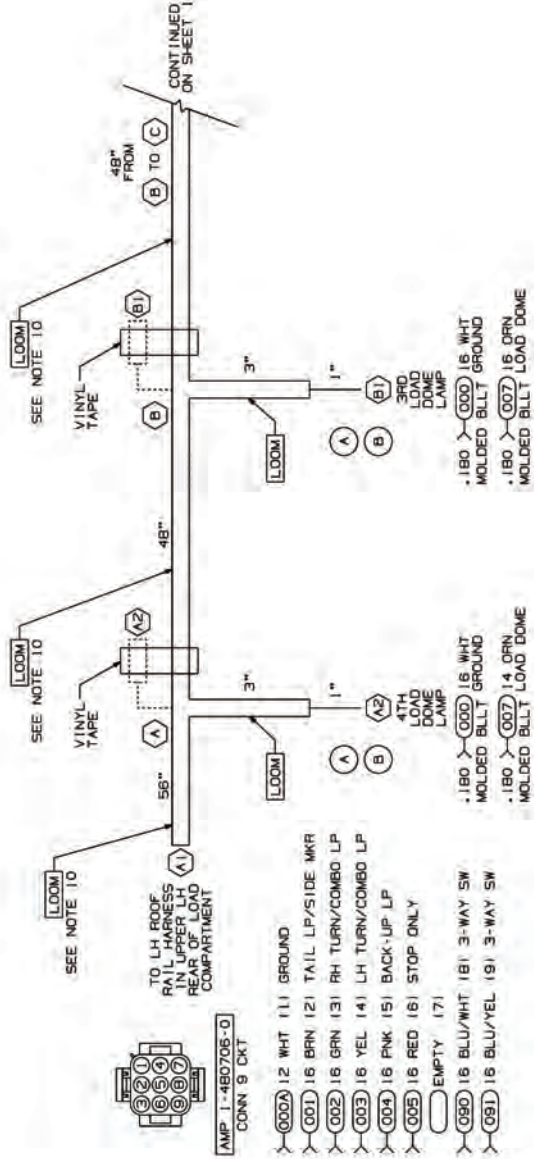
DATE	BY	DATE	BY
14APR09	TJM	28836	
DO NOT SCALE		14APR09	
HARN ROOF 17'-20'8"			
M100 TRUCK .180F BLLT			
DATE	BY	DATE	BY
20FZ	093093202		

HARNISS AND LOOM TOLERANCES
UP TO 60" = -0/+2"
60" TO 100" = -0/+4"
100" TO 200" = -0/+5"
200" TO 400" = -0/+6"
400" TO 600" = -0/+7"
OVER 600" = -0/+8"
60 TO 80 = -0/+2"

TOLERANCE IS NOT APPLICABLE TO OVERALL HARNESS LENGTH, BREAKOUT TO END, OR LOOM.

SPLICE 1  
000A12 WHT IS TO BE USED IN ALL 000 WHT CIRCUITS (VENDOR TO DETERMINE LOCATION(S))

CIRCUIT	DESCRIPTION	END POINTS	FUNCTION
000A	12 WHT	A1,F1,F2,SPLICE 1	GROUND
001	14/16 WHT	A2,B1,C1,D1,E1,SPLICE 1	GROUND
002	16 BRN	A1,F2	CLERK/ICC LPS
003	16 GRN	A1,F2	RH TURN LP
004	16 YEL	A1,F2	LH TURN LP
005	16 PNK	A1,F2	BACK-UP LPS
006	16 RED	A1,F2	STOP LPS
007	16 TAN	A1,F2	CAB DOME LP
008	14/16 ORN	E1,F2	LOAD DOME LAMPS
090	16 BLU/WHT	A1,F2	3-WAY SWITCH - LOAD DMS
091	16 BLU/YEL	A1,F2	3-WAY SWITCH - LOAD DMS



DRAWING NO.	REV	SHT
098085201	A	1 OF 1
DESCRIPTION	DATE	BY
RELEASE TO PRODUCTION		
A REDRAWN & REVISED		

9. THIS IS A PURCHASED HARNESS. NO BILL OF MATERIAL EXISTS.
8. VENDOR MAY REPLACE DIGITALS WITH WIRING TO CONNECTORS. DIGITALS SHOWN IN TERMINAL VIEW.
7. HARNESS TO BE TESTED FOR CONTENTS, SHORTS, AND CONTINUITY.
6. CONNECTORS SHOWN FROM WIRE ENDARY SIDE UNLESS OTHERWISE NOTED.
5. SPLICES TO BE AUTOMATED HEAT SHRINK BUT SPLICES ARE ACCEPTABLE FOR M-O FABRICATION IF NECESSARY.
4. TAPE (1111098) 6" AT BREAKOUTS, 2" AT 18" INTERVALS FOR UNINTERRUPTED LOOM LENGTHS GREATER THAN 24", AND 2" AT LOOM ENDS.
3. HARNESS TO HAVE A LABEL SHOWING MORGAN OLSON PART NUMBER, REVISION LEVEL, AND DATE OF MANUFACTURE.
2. SPLIT POLY LOOM UNLESS OTHERWISE NOTED.
1. GXL WIRE.

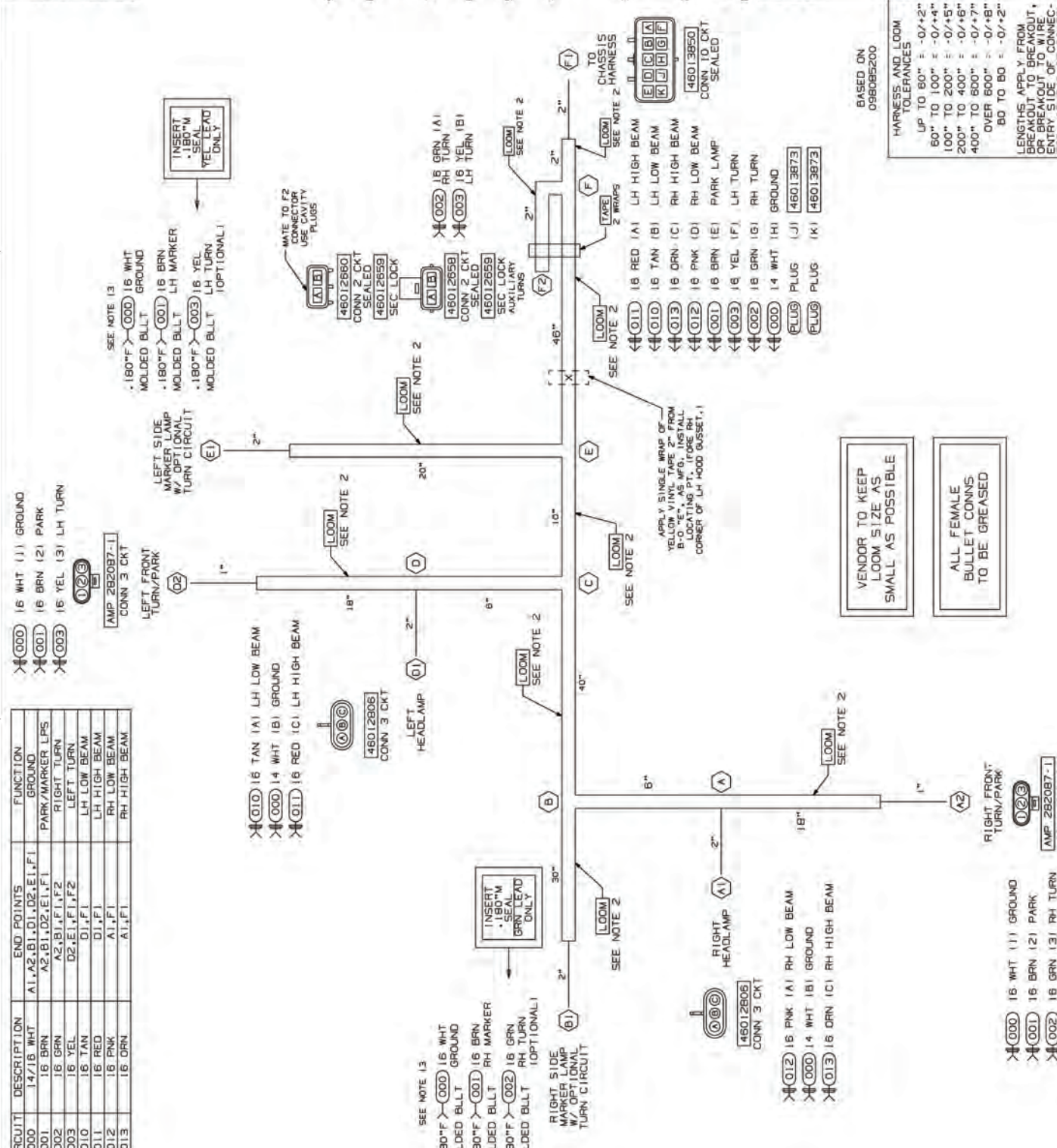
NOTES:

PROPRIETARY  
This drawing is the property of Morgan Olson and is not to be reproduced, stored in a retrieval system, or transmitted in any form or by any means, without the prior written consent of Morgan Olson.



DATE	BY	DATE	BY
01APR08	TJM	26770	
DO NOT SCALE		01APR08	
HARNISS AND LOOM TOLERANCES			
UP TO 60" = -0/+2"			
60" TO 100" = -0/+4"			
100" TO 200" = -0/+5"			
200" TO 400" = -0/+6"			
400" TO 600" = -0/+7"			
OVER 600" = -0/+8"			
60 TO 80 = -0/+2"			

TOLERANCE IS NOT APPLICABLE TO OVERALL HARNESS LENGTH, BREAKOUT TO END, OR LOOM.



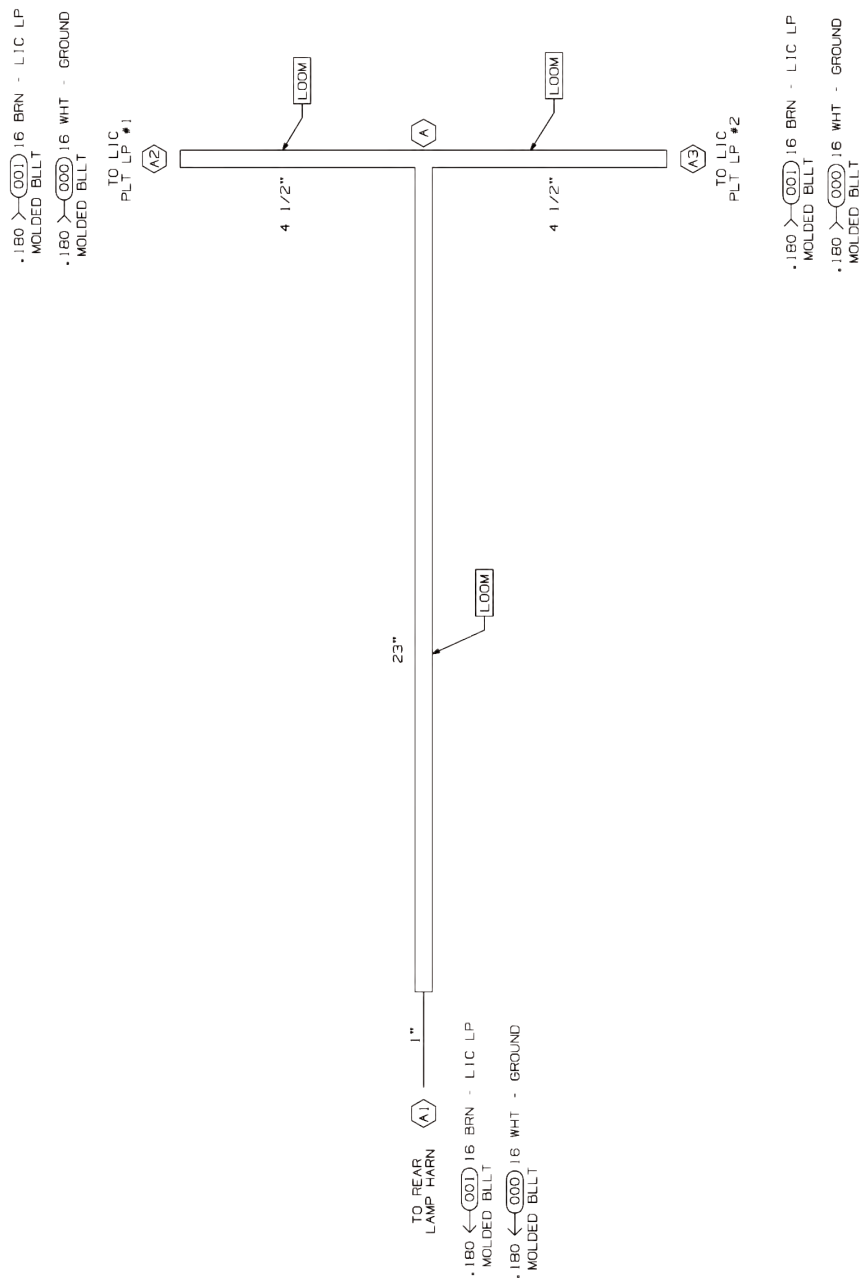
VENDOR TO KEEP LOOM SIZE AS SMALL AS POSSIBLE

ALL FEMALE BULLET CONNS TO BE GREASED



DRAWING NO.	REV	SHT
130092204		1 OF 1
DESCRIPTION	CHK	DATE
RELEASE FOR PRODUCTION		

CIRCUIT	DESCRIPTION	END POINTS	FUNCTION
000	16 WHT	A1, A2, A3	GROUND
001	16 BRN	A1, A2, A3	LICENSE LAMP



- THIS IS A PURCHASED HARNESS. NO BILL OF MATERIAL EXISTS.
- VENDOR MAY REPLACE PIGTAILS WITH WIRING TO APPROVED MOLDINGS OR CONNECTORS. PIGTAILS SHOWN IN TERMINAL VIEW.
- HARNESS TO BE TESTED FOR CONTENT, OPENS, SHORTS, AND CONTINUITY.
- CONNECTORS SHOWN FROM WIRE ENTRY SIDE, UNLESS OTHERWISE NOTED.
- SPLICES TO BE AUTOMATED WITH HEAT SHRINK TUBING LINED HEAT SHRINK TUBING.
- TAPE (1111096): 6" AT BREAKOUTS AND 2" AT LOOM ENDS.
- HARNESS TO HAVE A LABEL SHOWING MORGAN OLSON PART NUMBER, REVISION NUMBER, AND DATE OF MANUFACTURE.
- SPLIT HI-TEMP NYLON LOOM, BLACK WITH GRAY STRIPE, UNLESS OTHERWISE NOTED.
- GXL WIRE.

NOTES:

PROPERTY	
THIS DOCUMENT IS THE PROPERTY OF MORGAN OLSON. IT IS TO BE USED ONLY FOR THE PURPOSES AND IN THE MANNER SPECIFIED HEREIN. IT IS NOT TO BE REPRODUCED, COPIED, OR TRANSMITTED IN ANY FORM OR BY ANY MEANS, ELECTRONIC OR MECHANICAL, INCLUDING PHOTOCOPYING, RECORDING, OR BY ANY INFORMATION STORAGE AND RETRIEVAL SYSTEM. WITHOUT THE PRIOR WRITTEN PERMISSION OF MORGAN OLSON, ALL RIGHTS ARE RESERVED.	
<b>MORGAN OLSON</b>	
GENERAL STANDARDS: SEE SPECIFICATIONS	
1. TOLERANCES UNLESS OTHERWISE NOTED	2. DIMENSIONS UNLESS OTHERWISE NOTED
3. ALL DIMENSIONS ARE TO CENTER UNLESS OTHERWISE NOTED	4. DIMENSIONS TO SURFACE UNLESS OTHERWISE NOTED
5. DIMENSIONS TO CENTER UNLESS OTHERWISE NOTED	6. DIMENSIONS TO SURFACE UNLESS OTHERWISE NOTED
7. DIMENSIONS TO CENTER UNLESS OTHERWISE NOTED	8. DIMENSIONS TO SURFACE UNLESS OTHERWISE NOTED
9. DIMENSIONS TO CENTER UNLESS OTHERWISE NOTED	10. DIMENSIONS TO SURFACE UNLESS OTHERWISE NOTED

HARNESS AND LOOM TOLERANCES	
UP TO 60"	: -0/+2"
60" TO 100"	: -0/+4"
100" TO 200"	: -0/+5"
200" TO 400"	: -0/+6"
400" TO 800"	: -0/+7"
OVER 800"	: -0/+8"
BO TO BO	: -0/+2"

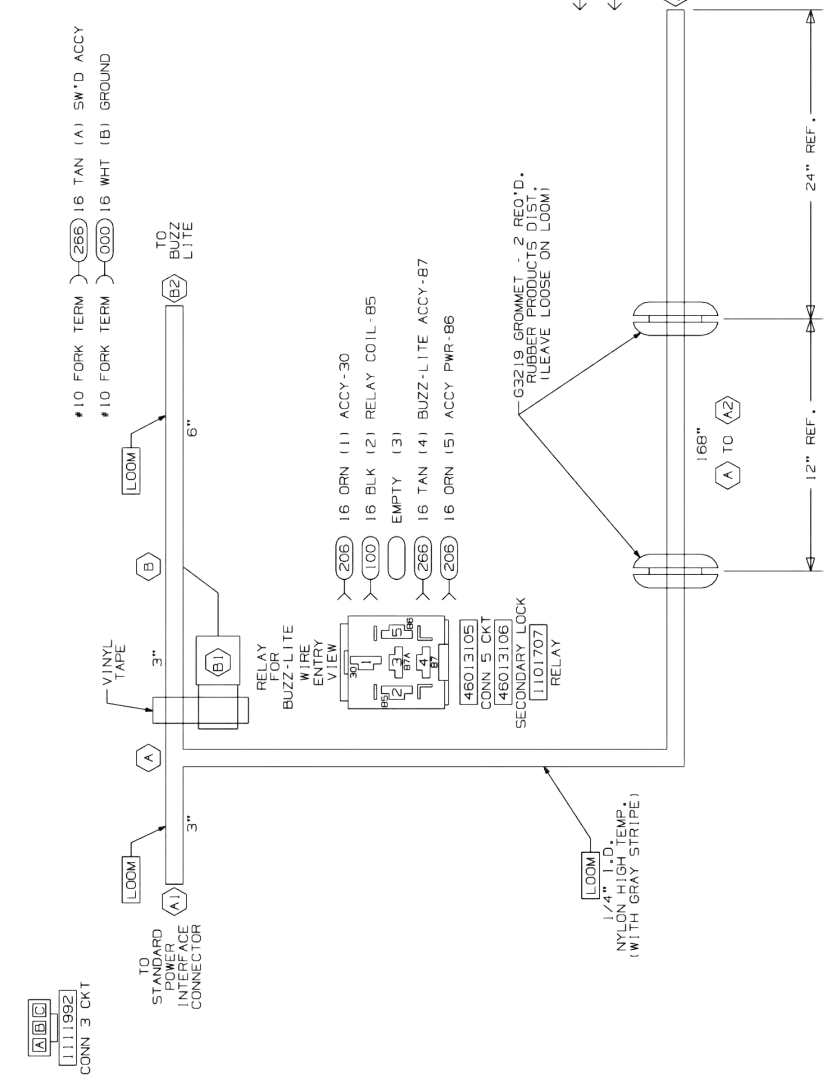
LENGTHS APPLY FROM BREAKOUT TO BREAKOUT, OR BREAKOUT TO WIRE ENTRY SIDE OF CONNECTOR.

FIRST USE:  
 CV101936  
 BASED ON:  
 130092202

DRAWING NO.	REV	SHT
132092202		1 OF 1
DESCRIPTION	CHK	DATE
RELEASE FOR PRODUCTION		

CIRCUIT	DESCRIPTION	END POINTS	FUNCTION
000	16 WHT	A1, A2, B2	GROUND
100	16 BLK	A2, B1	RELAY COIL SW'D GND
206	16 GRN	A1, B1, B1	ACCESSORY
266	16 TAN	B1, B2	BUZZ LT SW'D ACCY

- ⊖ EMPTY (A)
- ← (000) 16 WHT (B) GROUND
- ← (206) 16 GRN (C) ACCESSORY



HARNESS AND LOOM TOLERANCES	
UP TO 60"	: -0/+2"
60" TO 100"	: -0/+4"
100" TO 200"	: -0/+5"
200" TO 400"	: -0/+6"
400" TO 800"	: -0/+7"
OVER 800"	: -0/+8"
BO TO BO	: -0/+2"

TOLERANCE IS NOT APPLICABLE TO OVERALL HARNESS LENGTH, BREAKOUT TO END, OR LOOM.

FIRST USE:  
 JV000739  
 BASED ON:  
 082092202

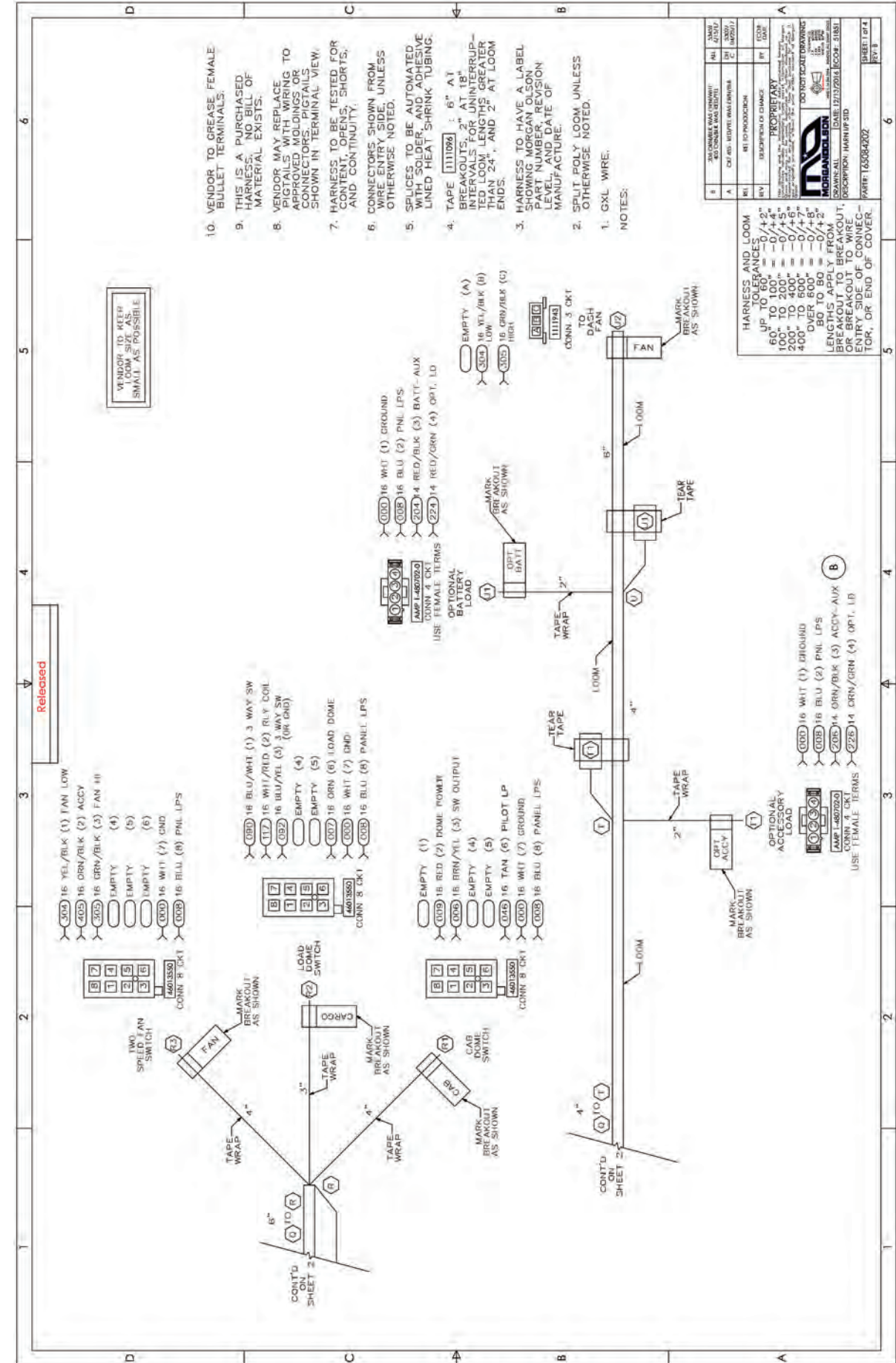
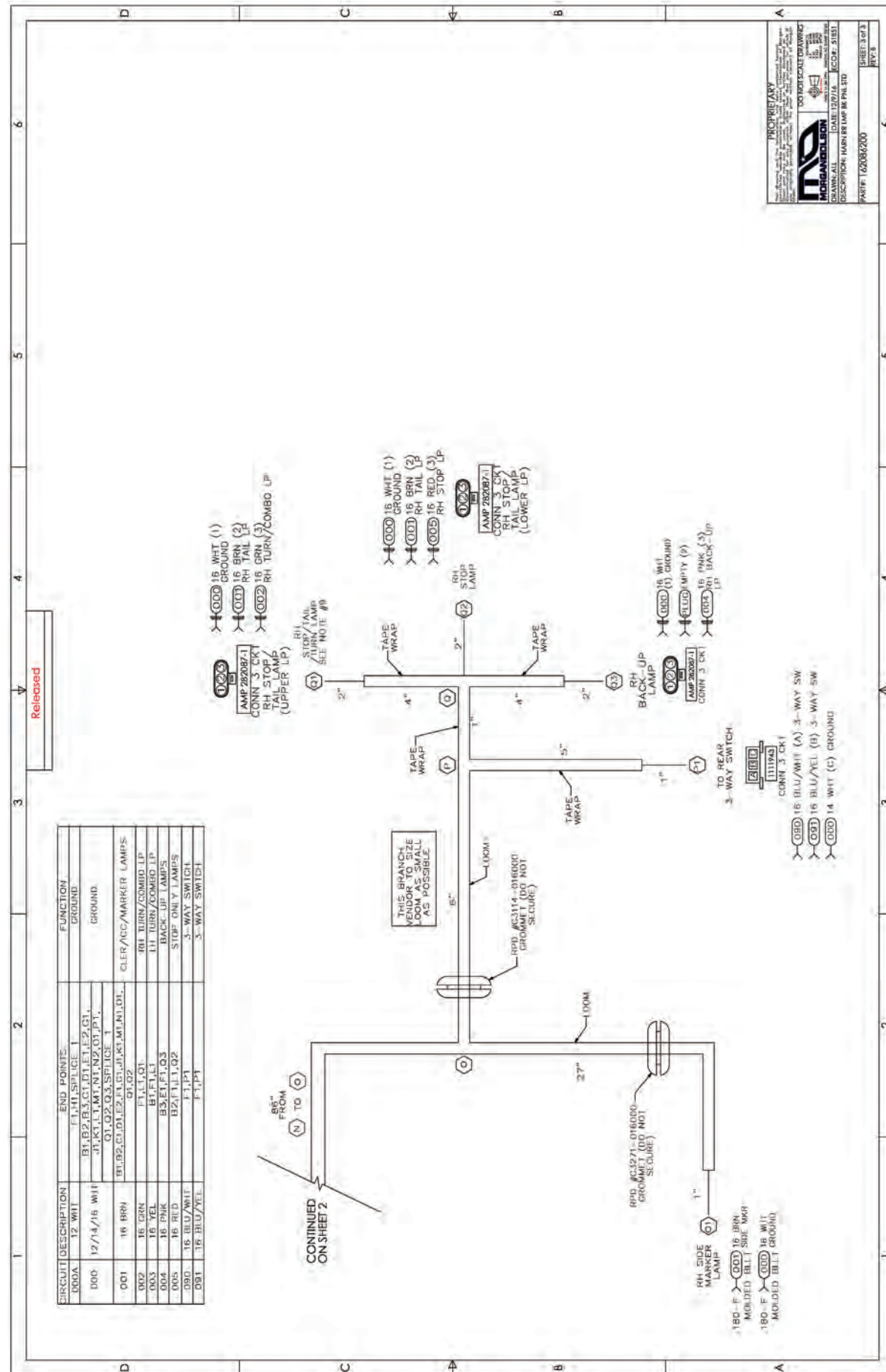
PROPERTY	
THIS DOCUMENT IS THE PROPERTY OF MORGAN OLSON. IT IS TO BE USED ONLY FOR THE PURPOSES AND IN THE MANNER SPECIFIED HEREIN. IT IS NOT TO BE REPRODUCED, COPIED, OR TRANSMITTED IN ANY FORM OR BY ANY MEANS, ELECTRONIC OR MECHANICAL, INCLUDING PHOTOCOPYING, RECORDING, OR BY ANY INFORMATION STORAGE AND RETRIEVAL SYSTEM. WITHOUT THE PRIOR WRITTEN PERMISSION OF MORGAN OLSON, ALL RIGHTS ARE RESERVED.	
<b>MORGAN OLSON</b>	
GENERAL STANDARDS: SEE SPECIFICATIONS	
1. TOLERANCES UNLESS OTHERWISE NOTED	2. DIMENSIONS UNLESS OTHERWISE NOTED
3. ALL DIMENSIONS ARE TO CENTER UNLESS OTHERWISE NOTED	4. DIMENSIONS TO SURFACE UNLESS OTHERWISE NOTED
5. DIMENSIONS TO CENTER UNLESS OTHERWISE NOTED	6. DIMENSIONS TO SURFACE UNLESS OTHERWISE NOTED
7. DIMENSIONS TO CENTER UNLESS OTHERWISE NOTED	8. DIMENSIONS TO SURFACE UNLESS OTHERWISE NOTED
9. DIMENSIONS TO CENTER UNLESS OTHERWISE NOTED	10. DIMENSIONS TO SURFACE UNLESS OTHERWISE NOTED

NOTES:

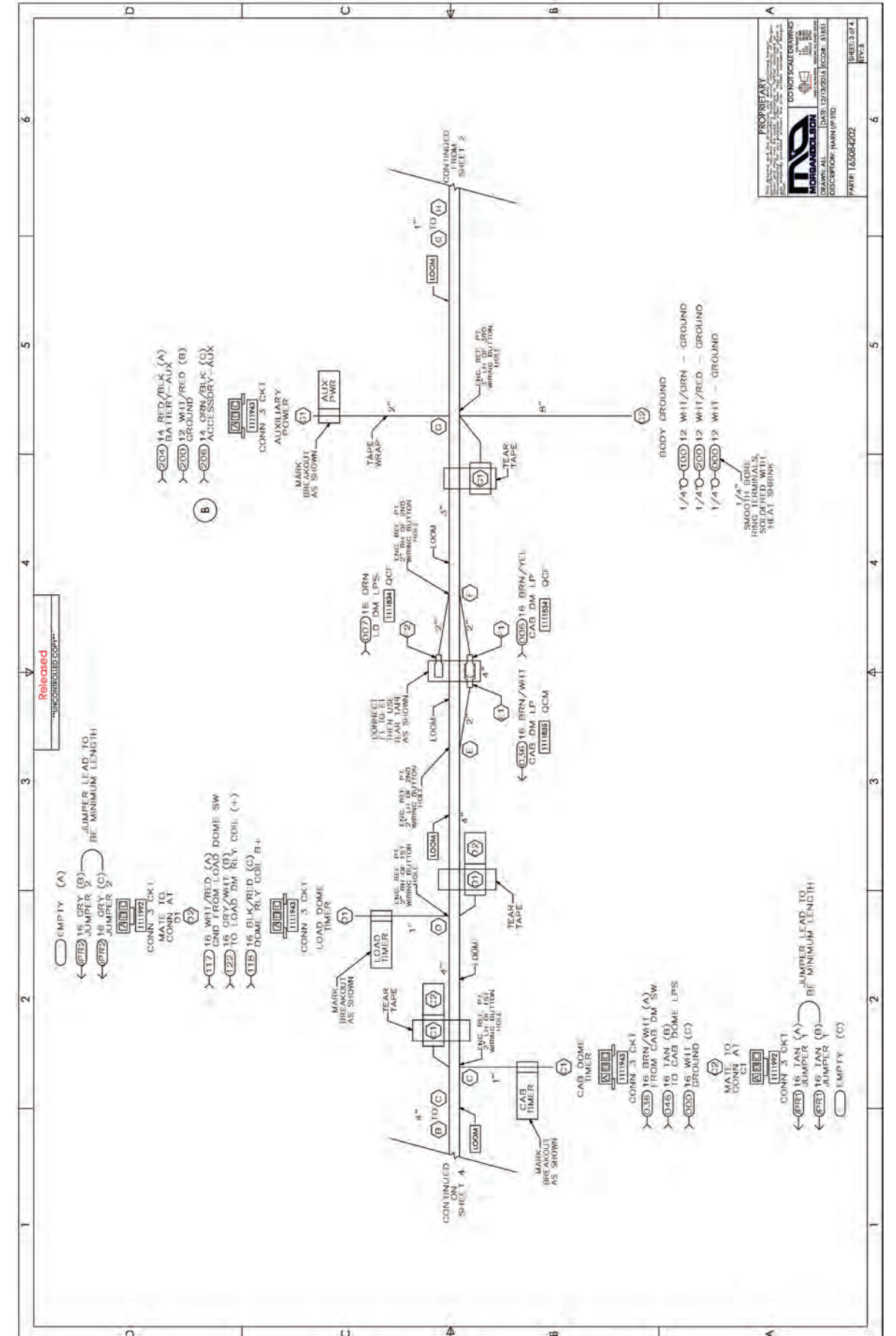
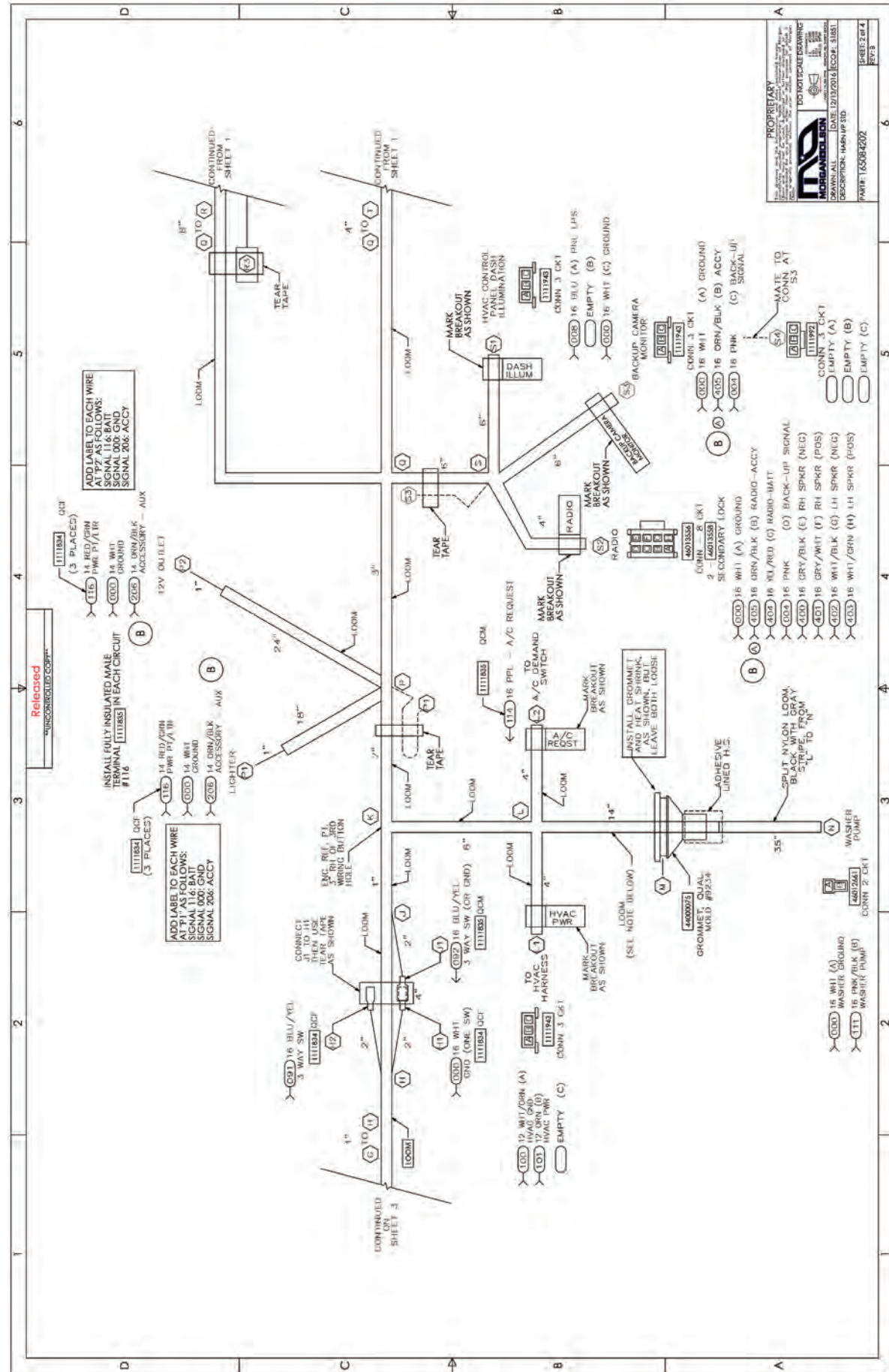
- THIS IS A PURCHASED HARNESS. NO BILL OF MATERIAL EXISTS.
- VENDOR TO REPLACE PIGTAILS WITH WIRING TO APPROVED MOLDINGS OR CONNECTORS. PIGTAILS SHOWN IN TERMINAL VIEW FOR REFERENCE ONLY.
- HARNESS TO BE TESTED FOR CONTENT, OPENS, SHORTS, AND CONTINUITY.
- CONNECTORS SHOWN FROM WIRE ENTRY SIDE, UNLESS OTHERWISE NOTED.
- SPLICES TO BE AUTOMATED WITH HEAT SHRINK TUBING LINED HEAT SHRINK TUBING. ARE ACCEPTABLE FOR M.O. FABRICATION IF NECESSARY.
- TAPE (1111096): 6" AT BREAKOUTS AND 2" AT LOOM ENDS.
- HARNESS TO HAVE A LABEL SHOWING MORGAN OLSON PART NUMBER, REVISION NUMBER, AND DATE OF MANUFACTURE.
- SPLIT POLY LOOM UNLESS OTHERWISE NOTED.
- GXL WIRE.





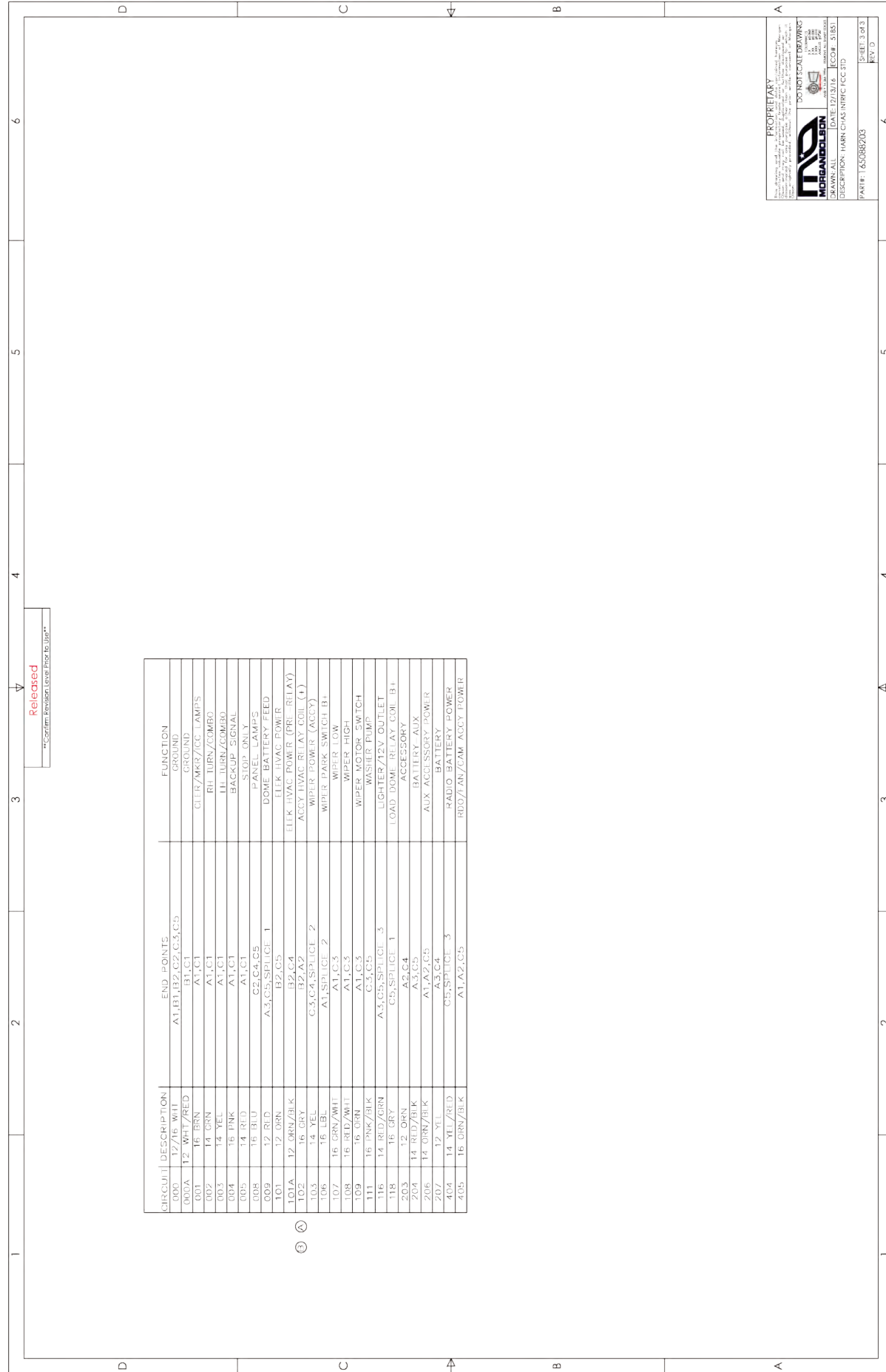
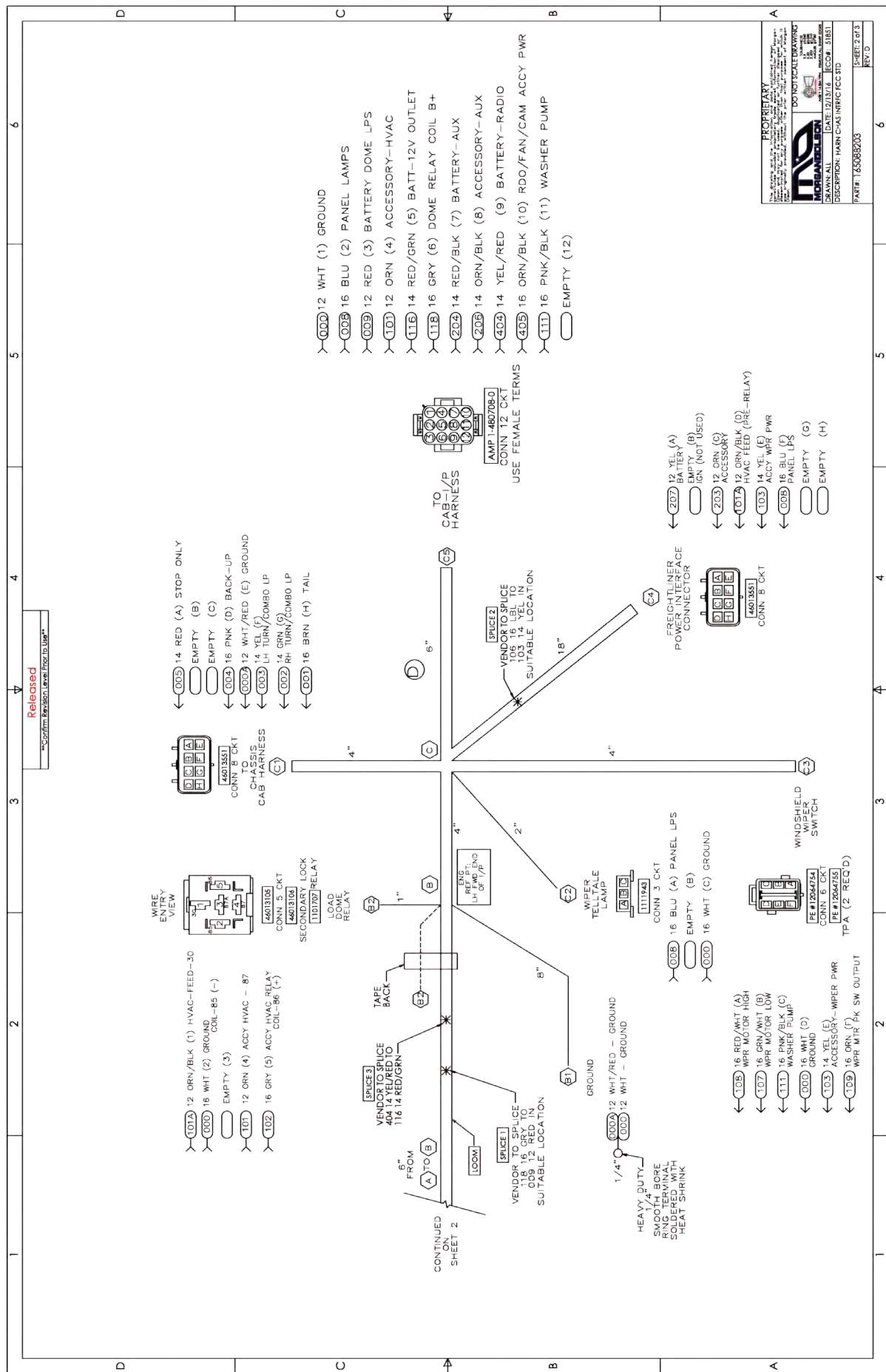






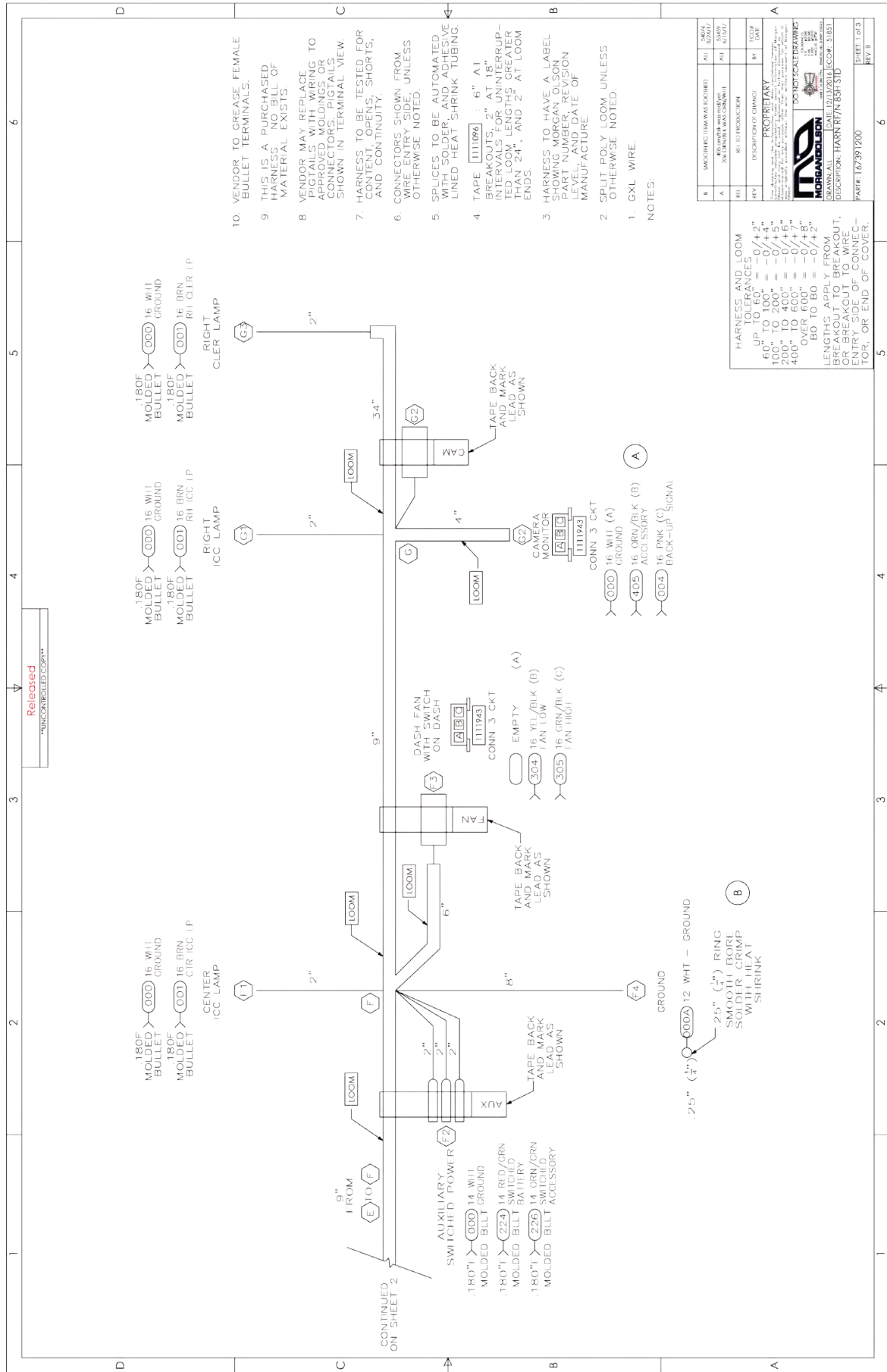






CIRCUIT	DESCRIPTION	END POINTS	FUNCTION
000	12/16 WHI	A1,B1,B2,C2,C3,C5	GROUND
000A	12 WHI/RED	B1,C1	GROUND
001	16 BRN	A1,C1	CLER/WRK/ICC LAMPS
002	14 YEL	A1,C1	RH TURN/COMBO
003	14 YEL	A1,C1	TOUR/COMBO
004	16 PNK	A1,C1	BACKUP SIGNAL
005	14 RED	A1,C1	STOP ORN V
008	16 BLU	C2,C4,C5	PANEL LAMPS
009	12 RED	A3,C5,SPLICE 1	DOME BATTERY FEED
101	12 ORN	B2,C5	ELK HVAC POWER
101A	12 ORN/BLK	B2,C4	ELK HVAC POWER (PRI-RELAY)
102	16 GRN	B2,A2	ACCY HVAC RELAY COIL (+)
103	14 YEL	C3,C4,SPLICE 2	WIPER POWER (ACCY)
106	16 LBL	A1,SPLICE 2	WIPER PARK SWITCH B+
107	16 GRN/WHT	A1,C3	WIPER LOW
108	16 RED/WHT	A1,C3	WIPER HIGH
109	16 ORN	C3,C5	WIPER PARK SWITCH
111	16 PNK/BLK	A3,C5,SPLICE 3	WASHER PUMP
116	14 RED/GRN	C5,SPLICE 3	LIGHTER/12V OUTLET
118	16 GRY	C5,SPLICE 1	LOAD DOME RELAY COIL B+
203	12 ORN	A2,C4	ACCESSORY
204	14 RED/BLK	A3,C5	BATTERY-AUX
206	14 ORN/BLK	A1,A2,C5	AUX ACCESSORY-POWER
207	12 YEL	A3,C4	BATTERY
404	14 YEL/RED	C5,SPLICE 3	RADIO BATTERY POWER
405	16 ORN/BLK	A1,A2,C5	ROD/FAN/CAM ACCY POWER





10. VENDOR TO GREASE FEMALE BULLET TERMINALS.
9. THIS IS A PURCHASED HARNESS. NO BILL OF MATERIAL EXISTS.
8. VENDOR MAY REPLACE PIGTAILS WITH WIRING TO APPROVED MOLDINGS OR CONNECTORS. PIGTAILS SHOWN IN TERMINAL VIEW.
7. HARNESS TO BE TESTED FOR CONTENT, OPENS, SHORTS, AND CONTINUITY.
6. CONNECTORS SHOWN FROM WIRE ENTRY SIDE, UNLESS OTHERWISE NOTED.
5. SPLICES TO BE AUTOMATED WITH SOLDER AND ADHESIVE LINED HEAT SHRINK TUBING.
4. TAPE [111196] : 6" AT BREAKOUTS, 2" AT 18" INTERVALS FOR UNINTERRUPTED LENGTHS GREATER THAN 24", AND 2" AT LOOM ENDS.
3. HARNESS TO HAVE A LABEL SHOWING MORGAN OLSON PART NUMBER, REVISION LEVEL, AND DATE OF MANUFACTURE.
2. SPLIT POLY LOOM UNLESS OTHERWISE NOTED.
1. GXL WIRE.

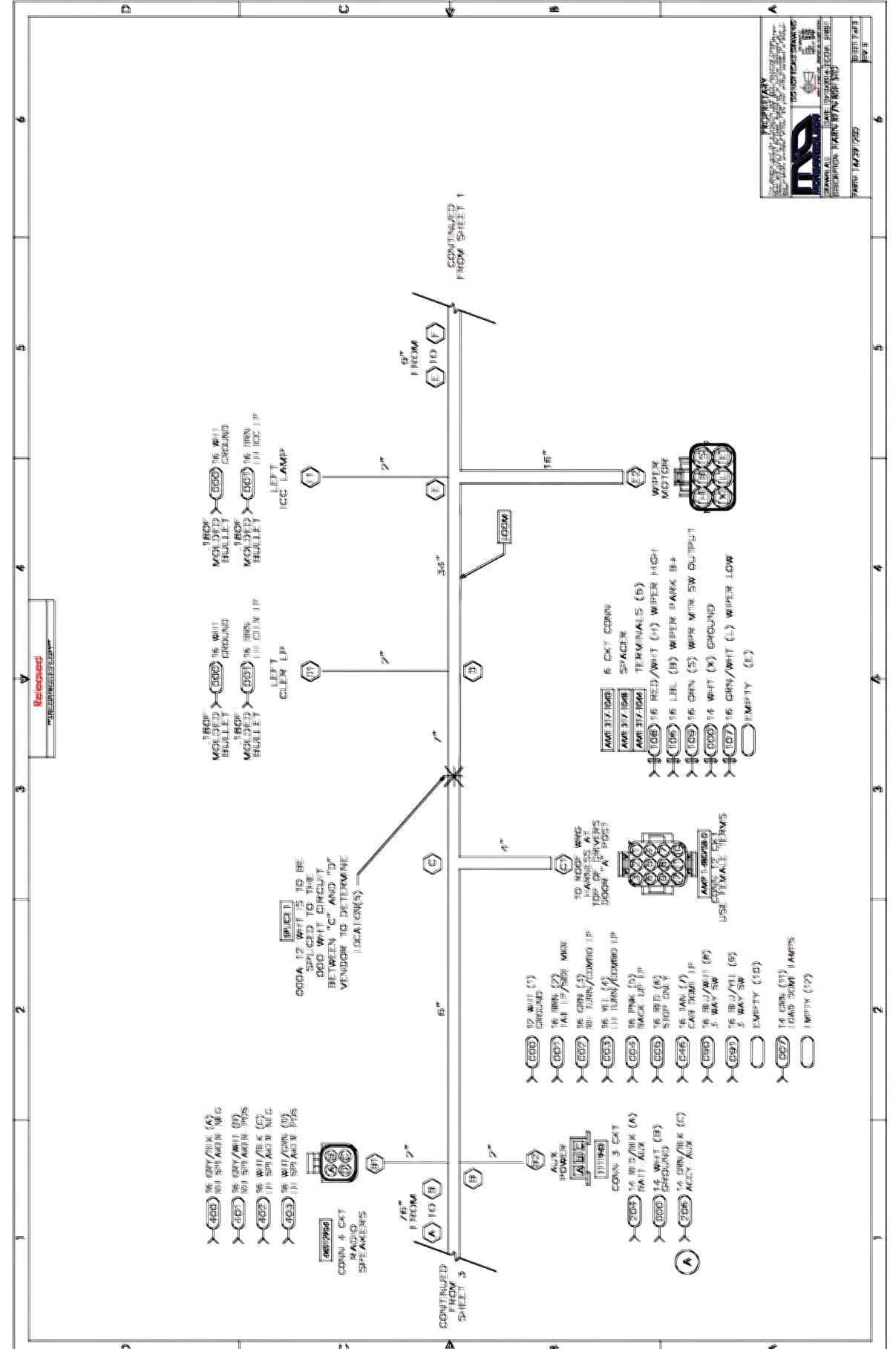
REV	DESCRIPTION	DATE	BY	APP
1	ISSUED FOR PRODUCTION	11/19/2021	ECOP	5181
2	ISSUED FOR PRODUCTION	11/19/2021	ECOP	5181

**DO NOT SCALE DRAWING**

DATE: 11/19/2021 (ECOP: 5181)  
 DESIGNED: TARRN R7/N 05/31/20  
 PART: 167391200

WIRE	DESCRIPTION	BY	APP
600	UP TO 60"	0/4/2	
600	TO 100"	0/4/4	
600	TO 200"	0/4/6	
600	TO 400"	0/4/7	
600	TO 600"	0/4/8	
600	OVER 600"	0/4/8	
600	80 TO 180"	0/4/2	

- NOTES:
- (A) 16 WHI (A) GROUND
  - (B) 16 GRN/BLK (B) GROUND
  - (C) 16 GRN/BLK (C) ACCESSORY
  - (D) 16 PINK (D) BACK-UP SIGNAL



10. VENDOR TO GREASE FEMALE BULLET TERMINALS.
9. THIS IS A PURCHASED HARNESS. NO BILL OF MATERIAL EXISTS.
8. VENDOR MAY REPLACE PIGTAILS WITH WIRING TO APPROVED MOLDINGS OR CONNECTORS. PIGTAILS SHOWN IN TERMINAL VIEW.
7. HARNESS TO BE TESTED FOR CONTENT, OPENS, SHORTS, AND CONTINUITY.
6. CONNECTORS SHOWN FROM WIRE ENTRY SIDE, UNLESS OTHERWISE NOTED.
5. SPLICES TO BE AUTOMATED WITH SOLDER AND ADHESIVE LINED HEAT SHRINK TUBING.
4. TAPE [111196] : 6" AT BREAKOUTS, 2" AT 18" INTERVALS FOR UNINTERRUPTED LENGTHS GREATER THAN 24", AND 2" AT LOOM ENDS.
3. HARNESS TO HAVE A LABEL SHOWING MORGAN OLSON PART NUMBER, REVISION LEVEL, AND DATE OF MANUFACTURE.
2. SPLIT POLY LOOM UNLESS OTHERWISE NOTED.
1. GXL WIRE.

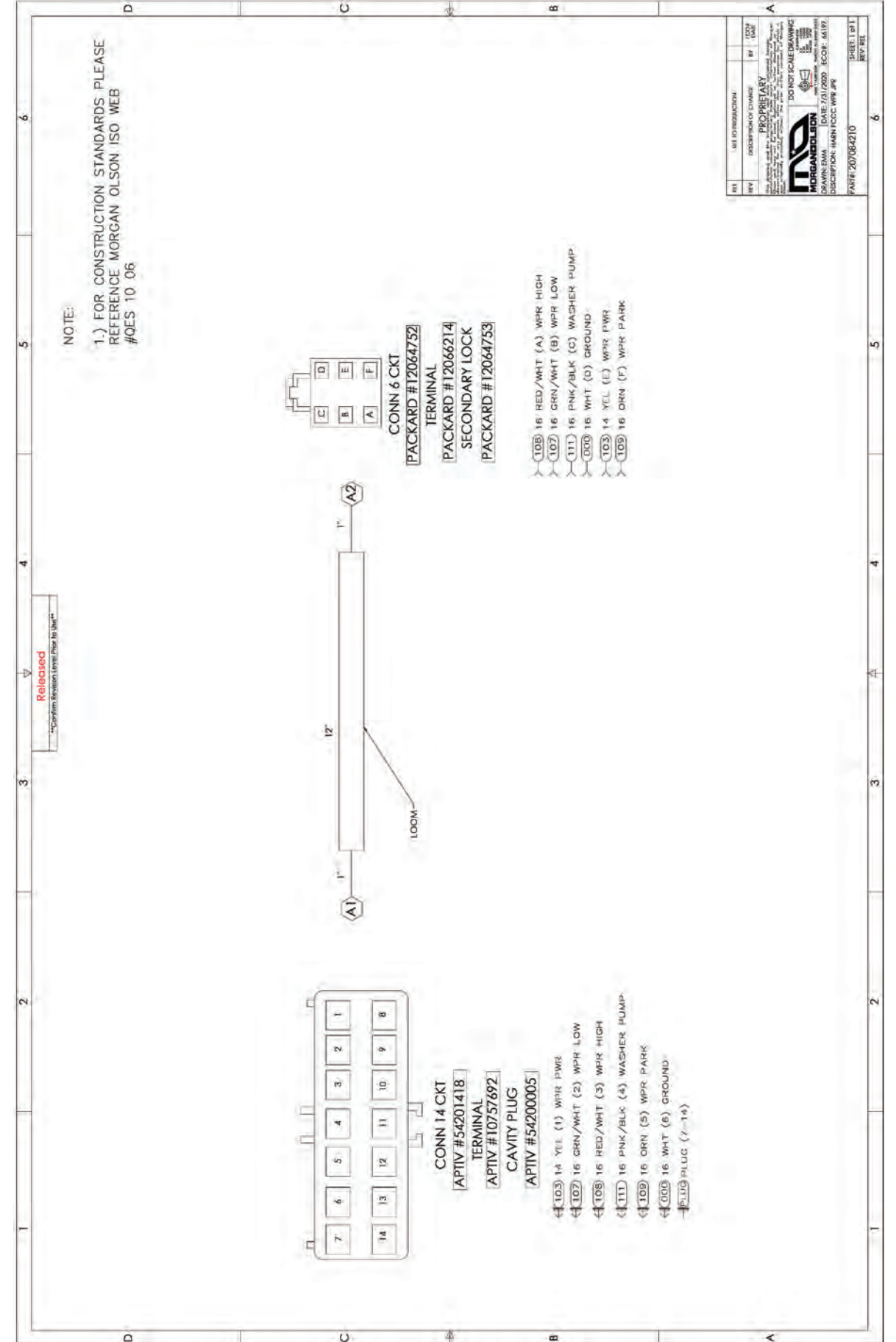
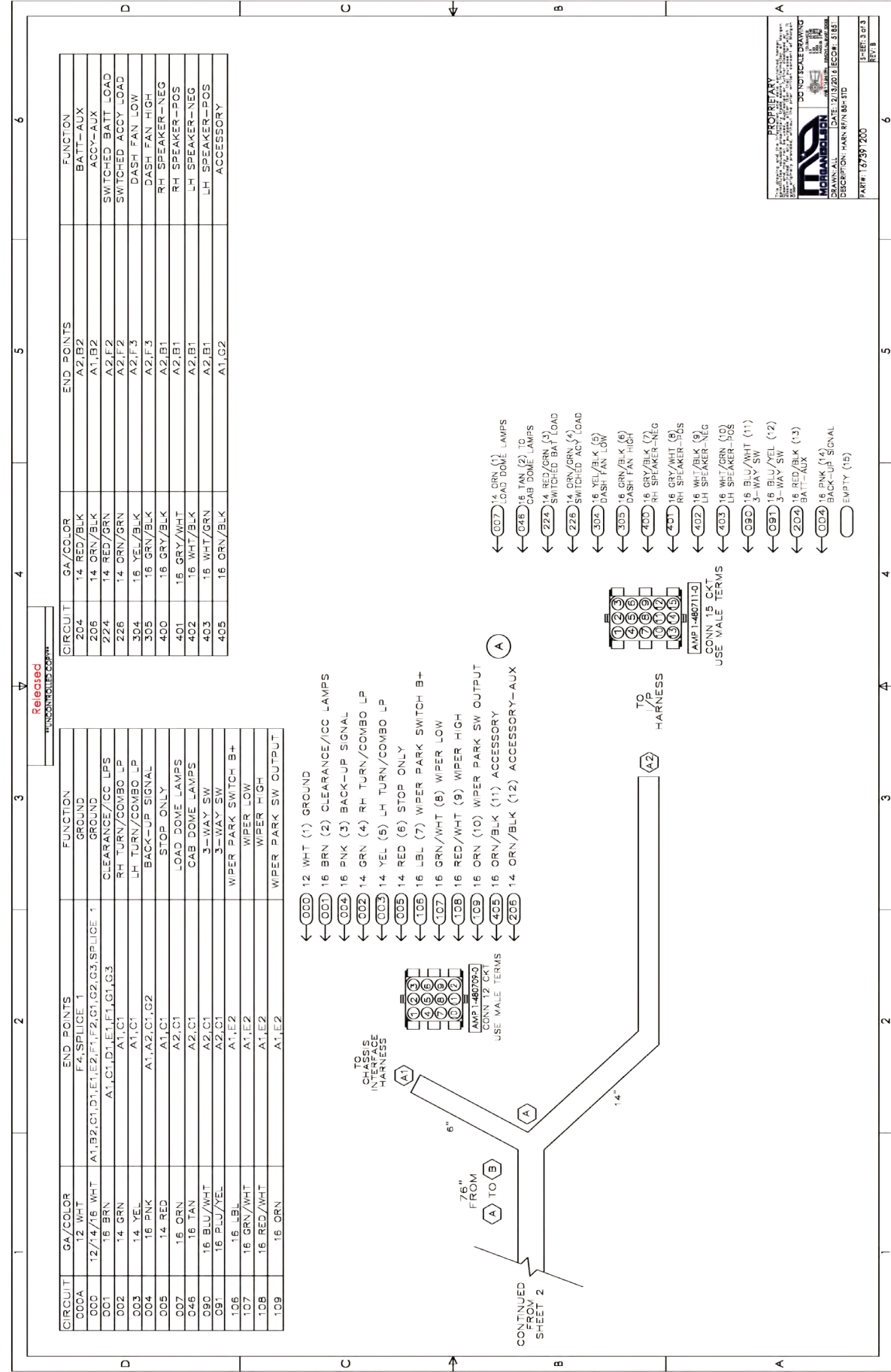
REV	DESCRIPTION	DATE	BY	APP
1	ISSUED FOR PRODUCTION	11/19/2021	ECOP	5181
2	ISSUED FOR PRODUCTION	11/19/2021	ECOP	5181

**DO NOT SCALE DRAWING**

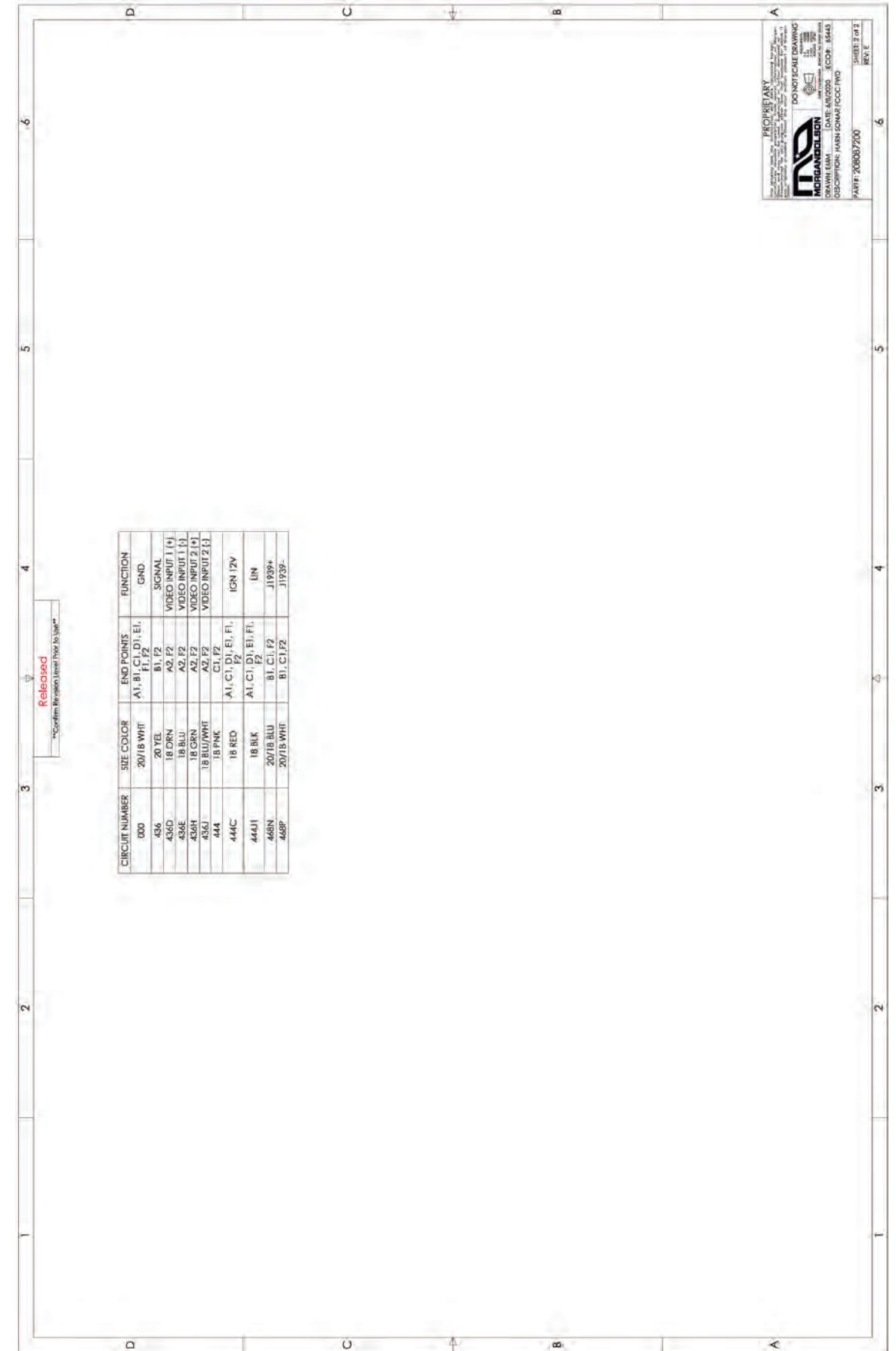
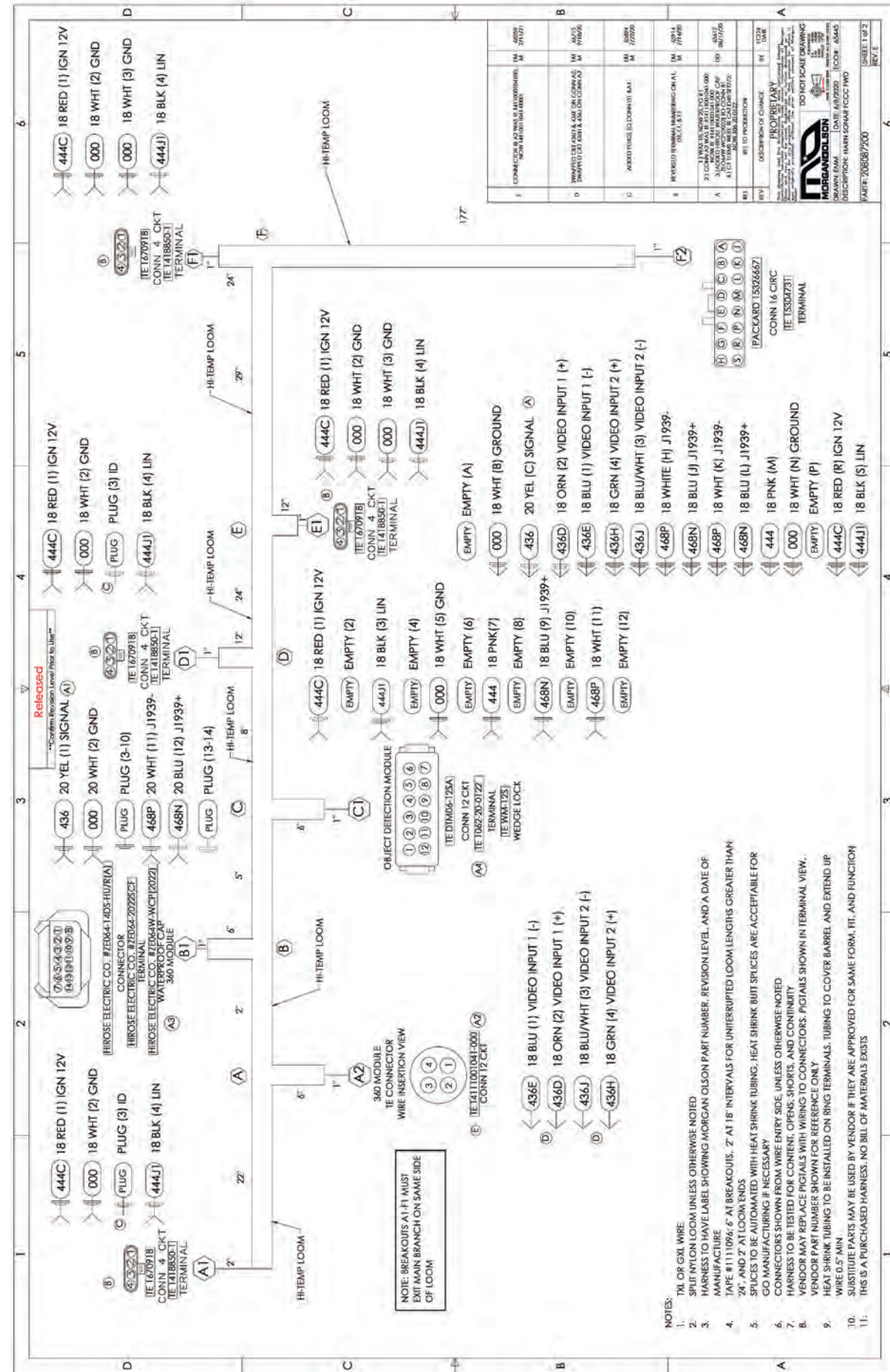
DATE: 11/19/2021 (ECOP: 5181)  
 DESIGNED: TARRN R7/N 05/31/20  
 PART: 167391200

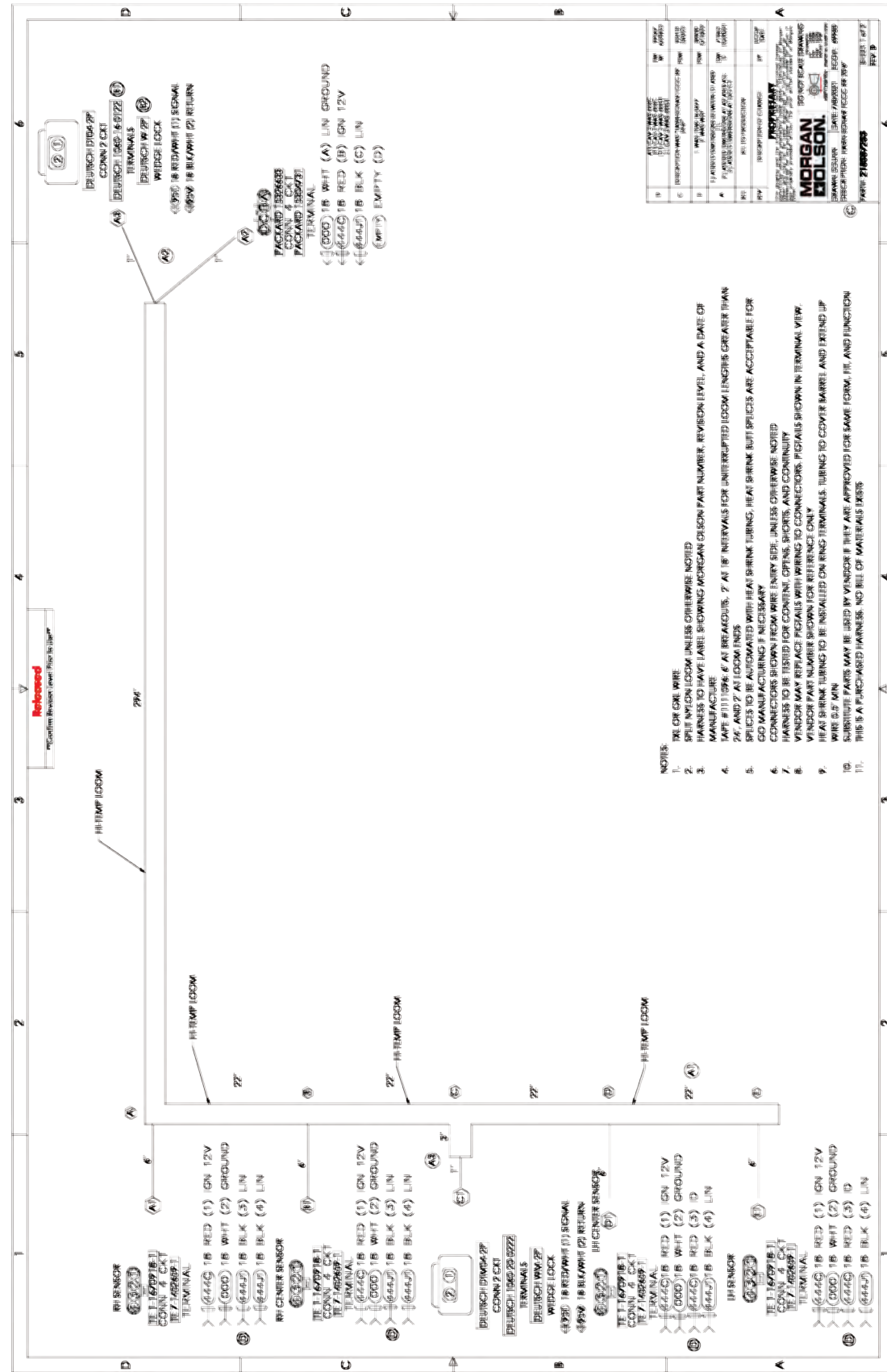
WIRE	DESCRIPTION	BY	APP
600	UP TO 60"	0/4/2	
600	TO 100"	0/4/4	
600	TO 200"	0/4/6	
600	TO 400"	0/4/7	
600	TO 600"	0/4/8	
600	OVER 600"	0/4/8	
600	80 TO 180"	0/4/2	

- NOTES:
- (A) 16 WHI (A) GROUND
  - (B) 16 GRN/BLK (B) GROUND
  - (C) 16 GRN/BLK (C) ACCESSORY
  - (D) 16 PINK (D) BACK-UP SIGNAL







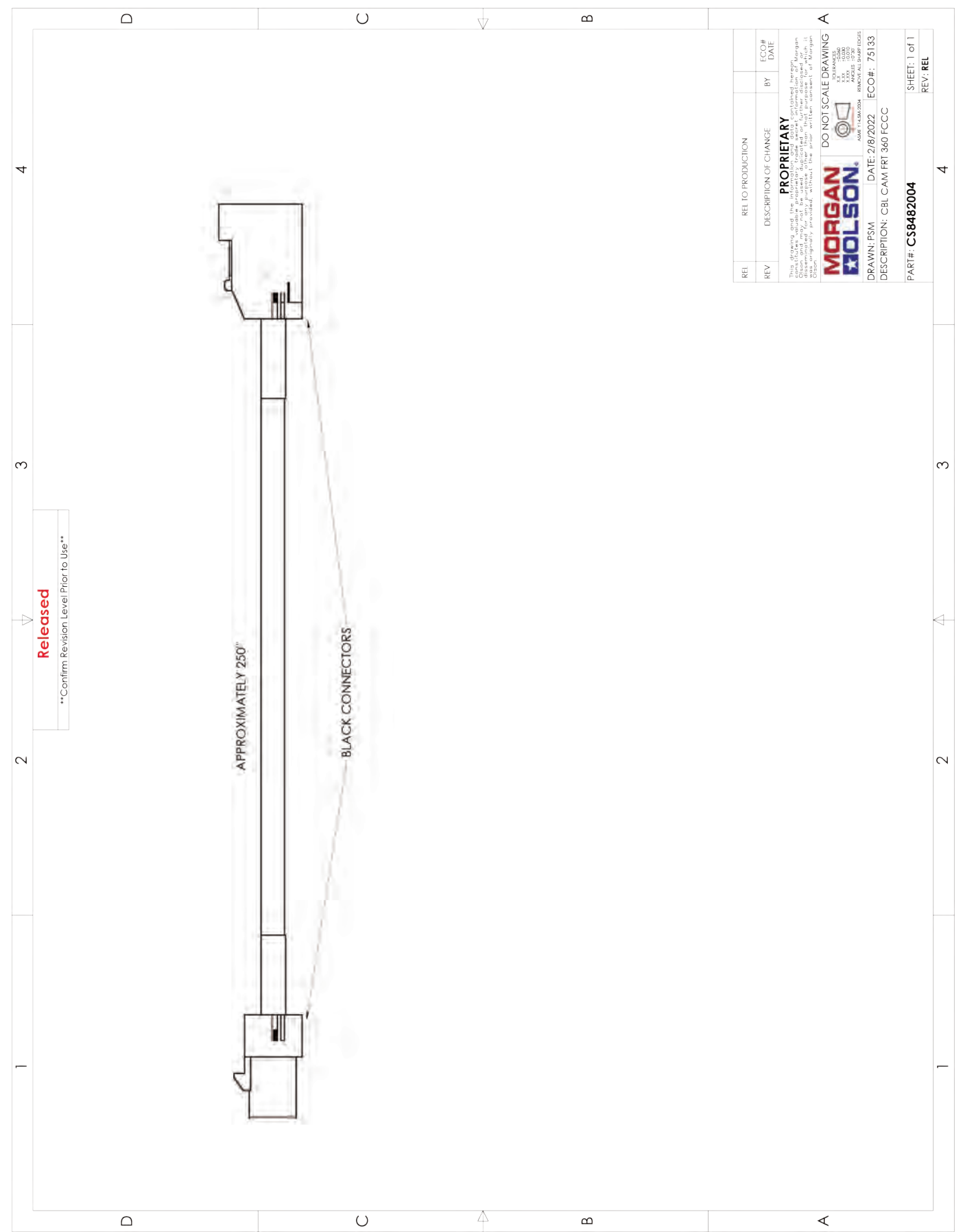


- NOTES:**
1. THE ORG. WIRE
  2. SPEL IN LOW LOOM UNLESS OTHERWISE NOTED
  3. WIRERS TO HAVE LABEL SHOWING MORGAN DESIGN PART NUMBER, REVISION LEVEL, AND A DATE OF MANUFACTURE
  4. TAPE #111394, 6" AT BREAKOUTS, 7" AT 18" INTERVALS FOR UNINTERRUPTED LOOM LENGTHS GREATER THAN 24". AND 2" AT LOOM ENDS
  5. SPECS TO BE AUTOMATED WITH HEAT SHRINK TUBING. HEAT SHRINK BUT SPECS ARE ACCEPTABLE FOR GOD MANUFACTURING IF NECESSARY
  6. CONNECTORS SHOWN FROM WIRE ENTRY SIDE UNLESS OTHERWISE NOTED
  7. WIRERS TO HAVE LABEL SHOWING MORGAN DESIGN PART NUMBER, REVISION LEVEL, AND A DATE OF MANUFACTURE
  8. WIRERS MAY REPLACE PIGTAILS WITH WIRING TO CONNECTORS. PIGTAILS SHOWN IN TERMINAL VIEW
  9. WIRING PART NUMBER SHOWN FOR REFERENCE ONLY
  10. HEAT SHRINK TUBING TO BE INSTALLED ON RING TERMINALS. TUBING TO COVER MARTEL AND EXTEND UP WIRE 0.5" MIN
  11. SUBSTITUTE PIGTAILS MAY BE USED BY WIRER IF THEY ARE APPROVED FOR SAME FORM, FIT, AND FUNCTION THIS IS A PURCHASED PART. NO BILL OF MATERIALS ISSUES

REV	DESCRIPTION	BY	DATE
1	ISSUED FOR PRODUCTION	WJS	08/20/2022
2	REVISED TO ADD WIRING FOR 2023 DELIVERY VEHICLE	WJS	08/20/2022
3	REVISED TO ADD WIRING FOR 2023 DELIVERY VEHICLE	WJS	08/20/2022
4	REVISED TO ADD WIRING FOR 2023 DELIVERY VEHICLE	WJS	08/20/2022
5	REVISED TO ADD WIRING FOR 2023 DELIVERY VEHICLE	WJS	08/20/2022
6	REVISED TO ADD WIRING FOR 2023 DELIVERY VEHICLE	WJS	08/20/2022

**MORGAN OLSON**  
QUALITY  
ON TIME EVERY TIME

DATE: 08/20/2022  
DRAWN BY: WJS  
CHECKED BY: WJS  
REVISION: 6  
PART#: 218097205  
SHEET 1 OF 1



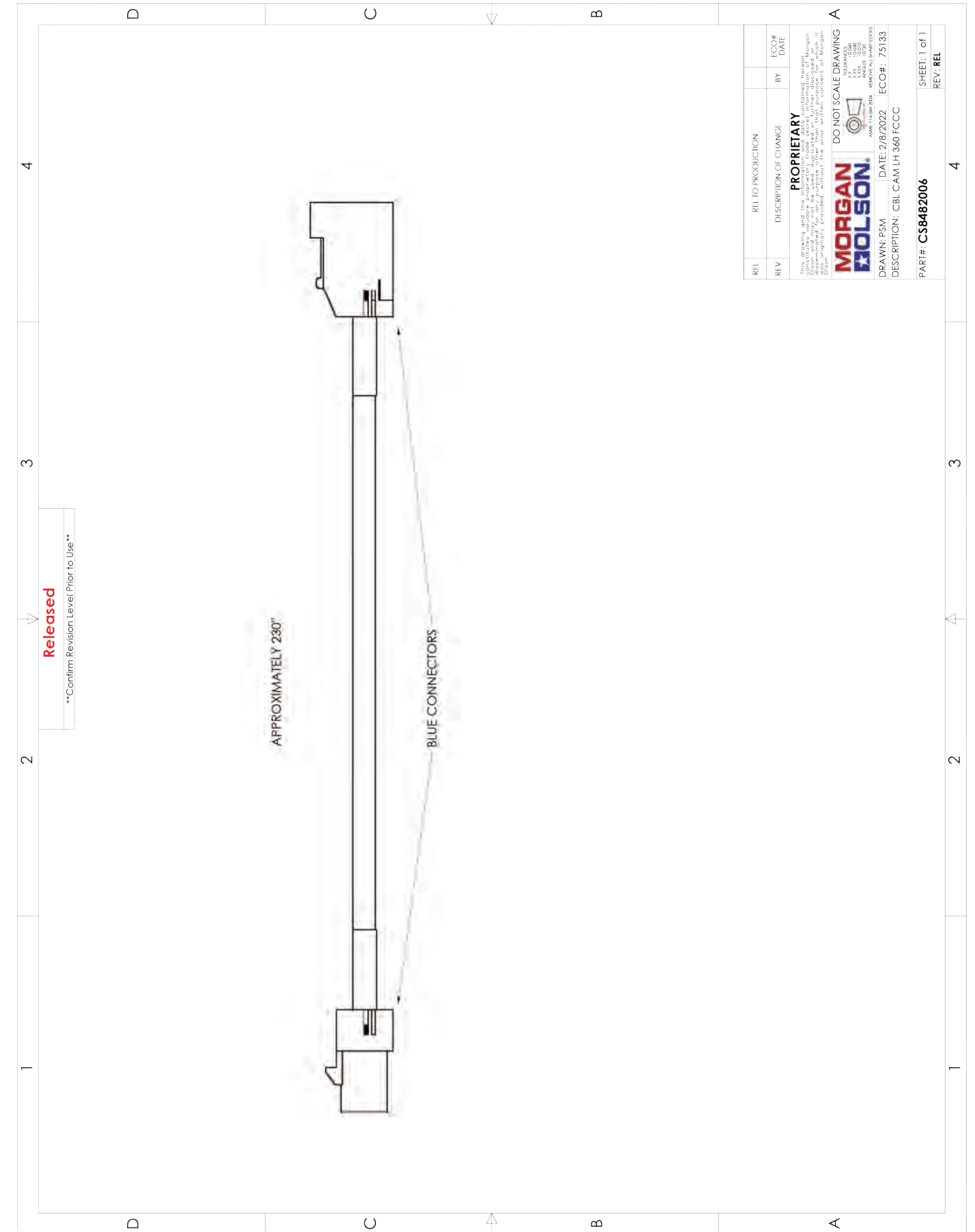
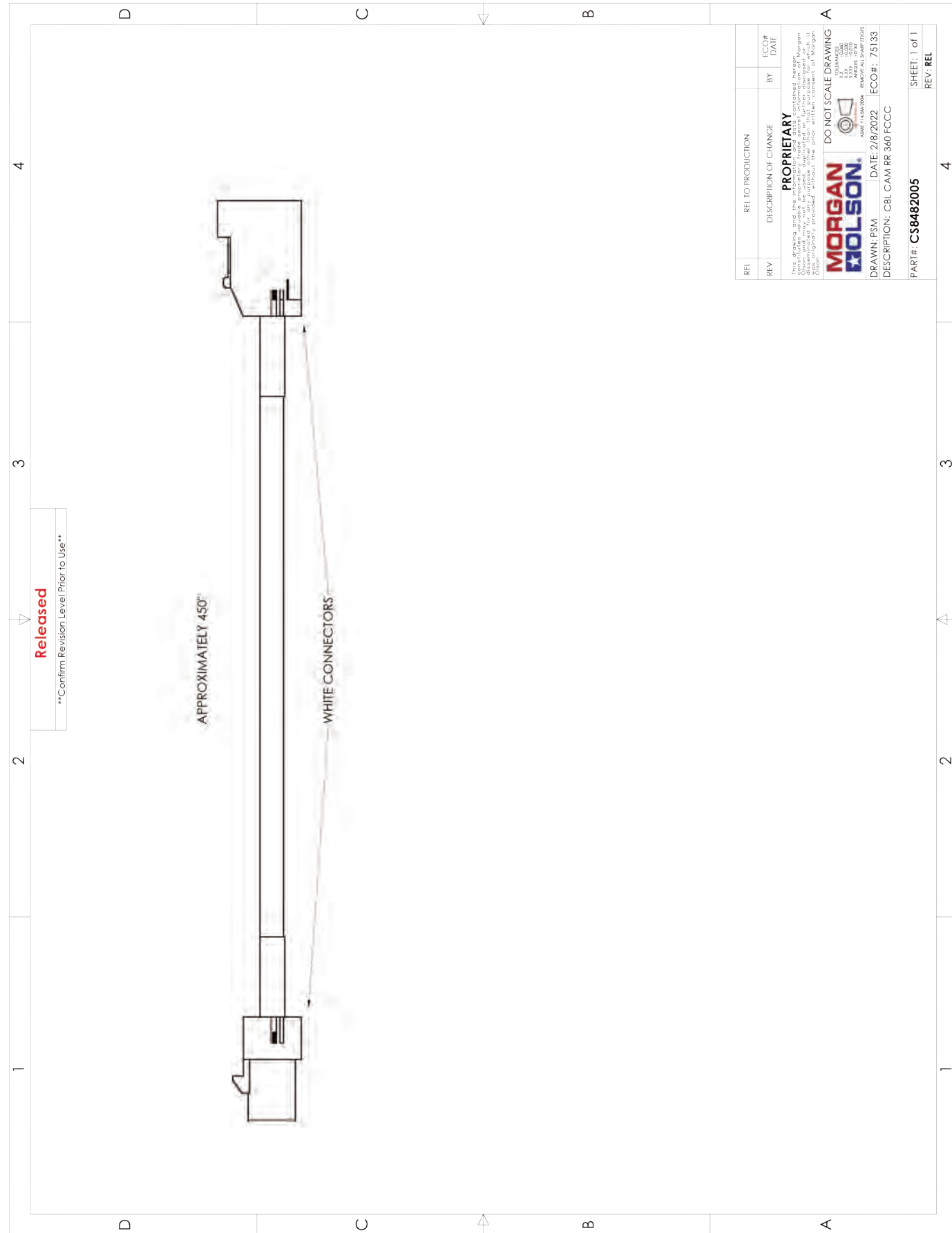
**Released**  
\*\*Confirm Revision Level Prior to Use\*\*

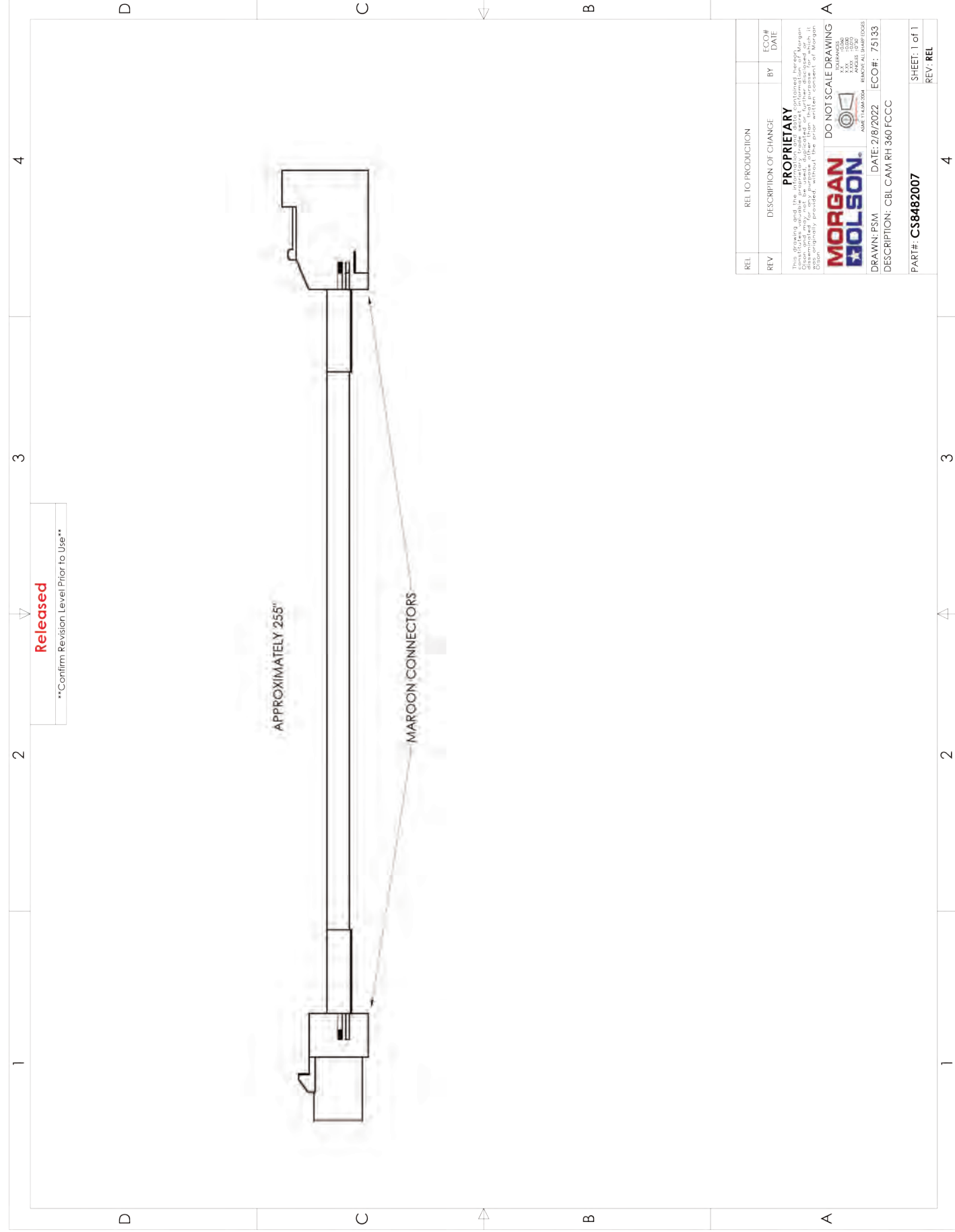
REV	REL TO PRODUCTION	DESCRIPTION OF CHANGE	BY	ECOP#	DATE
1	REL TO PRODUCTION	ISSUED FOR PRODUCTION	WJS		08/20/2022
2	REL TO PRODUCTION	REVISED TO ADD WIRING FOR 2023 DELIVERY VEHICLE	WJS		08/20/2022
3	REL TO PRODUCTION	REVISED TO ADD WIRING FOR 2023 DELIVERY VEHICLE	WJS		08/20/2022
4	REL TO PRODUCTION	REVISED TO ADD WIRING FOR 2023 DELIVERY VEHICLE	WJS		08/20/2022
5	REL TO PRODUCTION	REVISED TO ADD WIRING FOR 2023 DELIVERY VEHICLE	WJS		08/20/2022
6	REL TO PRODUCTION	REVISED TO ADD WIRING FOR 2023 DELIVERY VEHICLE	WJS		08/20/2022

**MORGAN OLSON**  
QUALITY  
ON TIME EVERY TIME

DATE: 08/20/2022  
DRAWN BY: WJS  
CHECKED BY: WJS  
REVISION: 6  
PART#: CS8482004  
SHEET: 1 of 1  
REV: REL







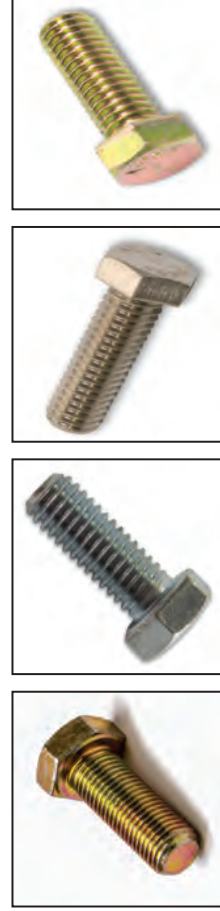
REL	REL TO PRODUCTION	BY	ECO#	DATE
RIV	DESCRIPTION OF CHANGE			

**PROPRIETARY**  
This drawing and its contents are the property of Morgan. It is to be used only for the purpose of manufacturing and repair of Morgan equipment. It is not to be reproduced, copied, or distributed in any form without the written permission of Morgan. **DO NOT SCALE DRAWING**

**MORGAN**  
**QUALITY**  
ON TIME EVERY TIME

DRAWN: PSM DATE: 2/19/2022 ECO#: 75133  
DESCRIPTION: CBL CAM RH 360 FCCC  
PART#: C58482007 SHEET: 1 of 1  
REV: REL

**HEX CAP SCREWS**

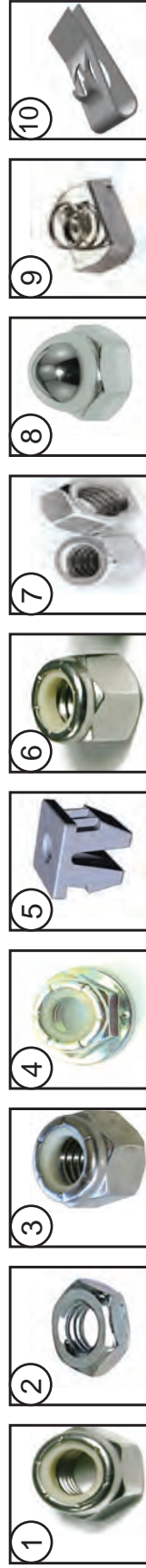


Size	Description	Thread	Lengths														
			.62	3/4"	1"	1-1/4"	1-1/2"	1-3/4"	2"	2-1/2"	3"	3-1/4"	4"				
1/4" Hex Cap Screw	Standard																
1/4" Hex Cap Screw	GR5 ZC/RO	20						1117009									
1/4" Hex Cap Screw	GR5 ZC/RoHS	20	85743007		1101688								1117818				
1/4" Hex Cap Screw	18-8 Stainless	20	1117816	85743006	1117010												
1/4" Hex Cap Screw	ASTM F593C	20			1117819												
5/16" Hex Cap Screw	18-8 Stainless	18				1117804											
5/16" Hex Cap Screw	GR8 ZC/Y	18			1117045												
5/16" Hex Cap Screw	ASTM F593	18			1117803			1117059									
5/16" Hex Cap Screw	GR5 ZC/R	16				1117837											
3/8" Hex Cap Screw	GR8 ZC/Y	18				1117049	1117055										
3/8" Hex Cap Screw	GR8 ZC/Y	16			1117843												
3/8" Hex Cap Screw	GR5 ZC/RO	16							1117097					1117000			
3/8" Hex Cap Screw	GR5 ZC/RoHS	16	40300056	40300054													
3/8" Hex Cap Screw	ASTM F593C	16						1117805		40300058	1117040						
7/16" Hex Cap Screw	GR8 ZC/Y	20						1217000		1117052							
1/2" Hex Cap Screw	GR5 ZC/RoHS	13															
1/2" Hex Cap Screw	GR5 ZC/RO	13				1117121											
1/2" Hex Cap Screw	GR5 ZC/RoHS	13												1117050	1117051		
1/2" Hex Cap Screw	GR5 ZC	13															
5/8" Hex Cap Screw	GR5	11															40300259

	<b>Grade 8</b> Medium Carbon Alloy Steel
	<b>Grade 5</b> Medium Carbon Steel
	<b>Grade 2</b> Low or Medium Carbon Steel

ZC	Zinc Coated
ZP	Zinc Plated
Y	Yellow
GR	Grade
RoHS	AS9100C ISO 9001:2008
ASTM F593C	American Standards Measurements Specifications





ZP - ZINC PLATED

Standard	Thread	FIG.	#8	#10	1/4"	5/16	3/8"	.44	1/2"	DIA.
NYLON LOCKING NUT, HEX	32	1		052266						
NUT "U" SPRING .115 TO .125 PANEL	10-24	10		40301303						
NYLON LOCKING NUT, HEX ZP	24	3		1117307						
NYLON LOCKING NUT, HEX ZP	20	3		1117310						
NYLON LOCKING NUT, HEX ZP	18	3			1117838					
NYLON LOCKING NUT, HEX ZP	16	3				1117344				
LOCKING NUT HEX FLANGE .44-20 OVAL	20	4						1217003		
NUTSERT EXPANDING NYL .275 SQ	20	5		40900006						
NUT NON LOCKING	24	2		1117303						
NUT NON LOCKING	20	2			1117312					
NUT NON LOCKING	16	2				1117316				
<b>GRADE 5</b>										
NUT STL LK LRG FLG GD5 .31-18	18	4				40100560				
NUT STL HEX LK B ZP .5-13 GR 5	13	1							1117283	
<b>18-8 Stainless</b>										
NUT SS LOCKING	32	3		1117347						
NUT SS LOCKING	24	6		1103354						
NUT SS LOCKING	20	6			1117336					
NUT SS NON LOCKING	20	7			40100044					
NUT SS ACORN LOW CROWN	20	8			40100061					
<b>Speciality</b>										
CHANNEL NUT WITH SPRING 1/4-20	20	9			47009988					
CHANNEL NUT WITH SPRING 3/8-16	16	9				47001001				

Genuine OEM Parts

1.800.233.4823

www.morganolsonparts.com

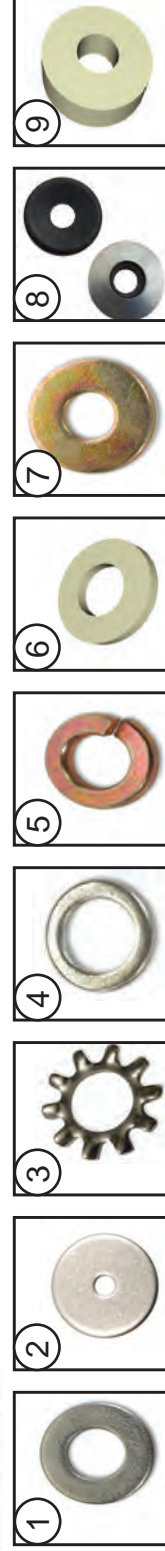


MAGNA LOCK	Diameter	Fig.	Length														
			.25	.312	.375	.438	.44	.5	.562	.625	.687	.75	.875	1"			
HUCK R6-4	.188	1		1117084	1117061												
HUCK R8-6	.25	2		1117087													
PROTRUDING HEAD	.25	3			40200304			40200634				40200303					
FLUSH HEAD B6-4	.25	4								40200630							
RIVAL BRAIZER HEAD	.125	5		1117402	1117404	1117405				1117406							
RIVAL BRAIZER HEAD	.188	5		1117351	1117353	1117355				1117357	1117359	1117361	1117363	1117365	1117368		
RIVAL BRAIZER HEAD	.25	5								1117380	1117385	1117382		1117386		1117395	
RIVAL BRAIZER HEAD MOD	.25	5			40200213			40200214		1117409	1117410				1117408		1117390
RIVAL FLAT HEAD	.125	7			85780100												
RIVAL FLAT HEAD	.188	7			1117434	1117436				1117438		1117440	1117442				
	.25	7															
RIVAL POP	.125	10		1117464													
RIVAL POP #10	.406	10		1117456													
RIVAL POP AD 66 BS		10			1117457												
RIVAL POP AD 68 BS										1117458							
RIVAL POP AD 610 BS											1117459						
POP AL OPEN END BLIND	.125	6			1117421												
POP AL OPEN END BLIND	.188	6		1117456											1117459		
POP CLSD BLACK		8													40200631		
SNAP FASTENER		9														40900925	
BULB TYPE BLIND w/WASHER	.188	10			40200621											40200501	

Genuine OEM Parts

1.800.233.4823

www.morganolsonparts.com



Standard	I/D	FIG.	3/8	1/2	9/16	5/8	3/4"	7/8	1"	1-1/4"	1-3/4"
#10 TYPE B FLAT WASHER ZINC/ROHS	.190	1			<a href="#">1117929</a>						
#10 X 1 FENDER WASHER ZC	.190	2							<a href="#">1117950</a>		
#10 EXTERNAL TOOTH L/W ZC	.190	3	<a href="#">1117971</a>								
1/4 EXTERNAL TOOTH L/W ZC	1/4	3		<a href="#">1117975</a>							
1/4 TYPE B NARROW FLAT WASHER	1/4	4			<a href="#">1117941</a>						
1/4 USS FLAT WASHER ZC/ROHS	1/4	1				<a href="#">1117953</a>				<a href="#">40300918</a>	
1/4 F436 (A325) FLAT WASHER ZC/ROHS	1/4	1				<a href="#">40000047</a>			<a href="#">1117952</a>		
FLAT WASHER .060 THICK ZC/RO	1/4	1									
1/4 USS FLAT WASHER	1/4	1		<a href="#">1117985</a>							
5/16 SPLIT LOCK WASHER ZC/ROHS	5/16	5	<a href="#">1117965</a>								
5/16 USS FLAT WASHER ZC/ROHS	5/16	1						<a href="#">1117955</a>			
3/8 USS FLAT WASHER ZC/ROHS	3/8	1						<a href="#">1117957</a>			
3/8 X 1 FLAT WASHER 1/4 THK NYLON	3/8	6							<a href="#">40000038</a>		
1/2 TYPE B REGULAR FLAT WASHER	1/2	1								<a href="#">40000050</a>	
1/2 TYPE B REGULAR FLAT WASHER ZC	1/2	1								<a href="#">1117945</a>	
1/2 TYPE B WIDE FLAT WASHER ZC/ROHS	1/2	1									<a href="#">1117959</a>
<b>Grade 8</b>											
1/4 FLAT WASHER GR 8 ZCY	1/4	7								<a href="#">85761003</a>	
5/16 FLAT WASHER GR 8 ZCY	5/16	7						<a href="#">1117937</a>			
3/8 FLAT WASHER GR 8 ZCY	3/8	7					<a href="#">40000046</a>		<a href="#">1117947</a>		
7/16 FLAT WASHER GR 8 ZCY	7/16	7								<a href="#">1217002</a>	
1/2 FLAT WASHER GR 8 ZCY	1/2	7							<a href="#">1117943</a>	<a href="#">1217002</a>	
<b>Stainless 18-8</b>											
#10 X 5/8 BONDED SEALER 18-8 SS	.190	8		<a href="#">85761250</a>		<a href="#">40000053</a>					
1/4 X 5/8 BONDED SEALER 18-8 SS	1/4	8				<a href="#">40000051</a>					
3/8 X 3/4 BONDED SEALER 18-8 SS	3/8	8						<a href="#">40000054</a>			
3/8 X 1" BONDED SEALER 18-8 SS	3/8	8							<a href="#">40000055</a>		
1/4 EXTERNAL TOOTH SS L/W ZC	1/4	3		<a href="#">40000510</a>							
<b>Speciality</b>											
WASHER NYLON .13 X .62 ID X 1.38OD	5/8	9									<a href="#">137147429</a>

Genuine OEM Parts

1.800.233.4823

www.morganolsonparts.com

70



18-8 Stainless	Diameter	Fig.	Length											
			.5	.625	.75	.875	1"	1-1/4"	1-1/2"	2-1/4"	3"			
PHILLIPS TRUSS M/S 18-8 SS	8 - 32	1		<a href="#">1117716</a>										
PHILLIPS TRUSS M/S 18-8 SS	10 - 24	1	<a href="#">1117800</a>	<a href="#">1117814</a>	<a href="#">40300498</a>			<a href="#">40300451</a>	<a href="#">1117835</a>					
PHILLIPS TRUSS M/S 18-8 SS	1/4 - 20	1		<a href="#">1117857</a>	<a href="#">1117784</a>				<a href="#">40300453</a>	<a href="#">40300454</a>				
PHILLIPS TRUSS M/S 18-8 SS	5/16 - 18	1			<a href="#">1117928</a>									
PHILLIPS FLAT M/S 18-8 SS	10 - 32	2						<a href="#">1117830</a>	<a href="#">1117900</a>					
PHILLIPS FLAT M/S 18-8 SS	10 - 24	2		<a href="#">1117786</a>					<a href="#">40300510</a>					
PHILLIPS FLAT M/S 18-8 SS	1/4 - 20	2						<a href="#">1117782</a>	<a href="#">40300634</a>	<a href="#">40300630</a>	<a href="#">40300631</a>	<a href="#">40300638</a>		
PHILLIPS FLAT M/S 18-8 SS	3/8 - 16	2								<a href="#">1117789</a>				
PHILLIPS ROUND M/S 18-8 SS	10 - 24	6												
6 LOBE PAN T/C M/S 18-8 SS	1/4 - 20	9						<a href="#">1117209</a>		<a href="#">1117815</a>				
<b>Standard Steel RoHS</b>														
PHILLIPS ROUND M/S ZC/ROHS	8 - 32	6												
PHILLIPS PAN TEKS/3 ZC/ROHS	10 - 16	5							<a href="#">1117674</a>					
PHILLIPS TRUSS M/S ZC/ROHS	10 - 24	1												<a href="#">1117793</a>
PHILLIPS TRUSS M/S ZC/ROHS	10 - 32	1	<a href="#">1117723</a>		<a href="#">1117688</a>					<a href="#">1117715</a>				
<b>T/C - Thread Cutting</b>														
PHIL PAN T/S TYPE A ZC	10	8												
PHIL TRUSS T/S TYPE A BLK	10	4							<a href="#">1117680</a>					
PHIL PAN T/S TYPE A BLK	10	7							<a href="#">40300101</a>					
PHIL PAN T/S TYPE A ZC	12	8							<a href="#">40300503</a>					
6 LOBE PAN T/C	1/4 - 20	9						<a href="#">85743152</a>	<a href="#">1117668</a>	<a href="#">1117666</a>				



T/C Thread Cutting 6 Lobe Type A

Genuine OEM Parts

1.800.233.4823

www.morganolsonparts.com

71



MORGAN★OLSON.  
**QUALITY**  
ON TIME★EVERY TIME